

Challenger[®]

Parts Manual

MT800B SERIES TRACK TRACTORS

MT835B (BAM6-Up)
MT845B (BBP6-Up)
MT855B (BCC6-Up)
MT865B (BDS6-Up)
MT875B (BFT6-Up)
9YY1-Up (Transmission)
AZG1-Up (Axle)
AZH1-Up (Axle)
AZJ1-Up (Axle)
AZK1-Up (Axle)

ALPHABETICAL INDEX

The complete alphabetical index appears at the beginning of this publication. It is used to locate major groups, assemblies and components.

NUMERICAL INDEX

The numerical index of this publication follows the Alphabetical Index at the beginning of the publication and indicates at which grid location and page number a part number appears.

ILLUSTRATIONS

All illustrations are located on the left hand page with the text on the right. Except for some common hardware, all parts are identified with an item number which corresponds to the item column on the text page. This is followed by the parts number, quantity and description.

HARDWARE

Common hardware not identified such as bolts, nuts, cotter pins and lube fittings, are listed indented in the text beneath the item to which they attach or fit. Common hardware listed indented beneath an item is NOT included unless specified. Example: (Incl. BOLT, LOCKWASHER AND NUT).

ORDERING PARTS

Be sure to refer to both the text and the illustration to assure ordering the correct part.

RECOMMENDED DEALER STOCK

A recommended dealer stock listing appears at the end of this publication.



AIR INLET AND EXHAUST SYSTEM

| | |
|--|-----|
| AIR CLEANER AS-BASIC - 196-4056 (MT855 & MT865) | 149 |
| AIR CLEANER GP - 172-5337 (MT835B & MT845B) | 145 |
| AIR CLEANER GP - 501578D1 (MT855B, MT865B & MT875B) | 147 |
| LINES GP-AIR - 500963D1 MT855B, MT865B & MT875B | 153 |
| LINES GP-AIR - 500964D1 (MT835B & MT845B) | 151 |
| LINES GP-DUST EJECTOR - 501580D1 MT855B, MT865B & MT875B | 157 |
| LINES GP-EJECTOR - 197-4849 MT835B & MT845B | 155 |
| MUFFLER GP - 501577D1 | 159 |
| SHIELD GP-EXHAUST - 218-2883 EAME - ITALIAN MARKET | 143 |

BRAKING SYSTEM

| | |
|---|-----|
| BRAKE GP-PARKING - 210-7510 | 705 |
| CONTROL GP-PARKING BRAKE - 172-6857 EAME ONLY | 707 |
| CONTROL GP-PARKING BRAKE - 192-6350 | 711 |
| CONTROL GP-PARKING BRAKE - 192-6360 SECONDARY EAME ONLY | 709 |
| CONTROL GP-PARKING BRAKE - 502456D1 | 713 |
| CONTROL GP-SERVICE BRAKE - 200-4400 EAME ONLY | 715 |
| CYLINDER GP-MASTER - 184-5338 SERVICE BRAKE | 721 |
| KIT HYDR TRAILER BRAKE - 209-3689 WITH 3 POINT HITCH EAME ONLY | 703 |
| KIT-HYD BRAKE - 501140D1 WITHOUT 3 POINT HITCH SPECIAL APPLICATIONS | 701 |
| KIT-HYD TRAILER BRAKE - 209-3688 WITHOUT 3 POINT HITCH EAME ONLY | 699 |
| LINES GP-BRAKE - 163-0386 | 723 |
| LINES GP-BRAKE - 193-1547 COMMON | 725 |
| LINES GP-CONTROL - 190-0436 AIR TRAILER BRAKE (WITHOUT HITCH) (EAME ONLY) | 729 |
| LINES GP-CONTROL - 200-4310 AIR TRAILER BRAKE (WITH HITCH) EAME ONLY | 733 |
| LINES GP-CONTROL - 210-4310 AIR TRAILER BRAKE (WITH HITCH) EAME ONLY | 735 |
| LINES GP-SERV BRAKE (B) - 185-8787 EAME ONLY | 717 |
| SUPPORT GP-LINES - 200-4320 EAME ONLY | 737 |
| TANK & LINES GP-AIR - 190-0435 | 739 |
| VALVE GP-ACCUMULATOR CHARGING - 216-6972 | 741 |
| VALVE GP-PARKING BRAKE - 200-4351 | 743 |
| VALVE GP-PARKING BRAKE - 502454D1 | 745 |

COOLING SYSTEM

| | |
|--|-----|
| COOLER GP & MTG - 500920D1 MT835B, MT845B, MT855B & MT865B | 111 |
| COOLER GP-MTG & - 502579D1 MT875B | 113 |
| CORE GP & MOUNTING - 500919D1 1 OF 3 | 115 |
| CORE GP & MOUNTING - 500919D1 2 OF 3 | 117 |
| CORE GP & MOUNTING - 500919D1 3 OF 3 | 119 |
| CORE GP-MOUNTING & - 502540D1 1 OF 3 MT875B | 121 |
| CORE GP-MOUNTING & - 502540D1 2 OF 3 MT875B | 123 |
| CORE GP-MOUNTING & - 502540D1 3 OF 3 MT875B | 125 |
| FAN GP-ENGINE - 206-6397 MT835B, MT845B, MT855B & MT865B | 127 |
| FAN GP-ENGINE - 502738D1 MT875B | 129 |
| GUARD GP-FAN - 228-4632 MT855B & MT865B | 137 |
| GUARD GP-FAN BLAST - 500038D1 | 135 |
| LINES GP-COOLANT - 502557D1 MT835B, MT845B, MT855B & MT865B | 131 |
| LINES GP-COOLANT - 502580D1 MT875B | 133 |
| TANK GP EXPANSION & COOLANT - 502646D1 MT875B | 141 |
| TANK GP-EXPANSION & COOLANT - 502558D1 MT835B, MT845B, MT855B & MT865B | 139 |

DECALS & MARKINGS

| | |
|---|------|
| DECAL SHEET-CAB/ARMREST - 501520D1 | 1207 |
| DECAL SHEET-VEHICLE 501505D1 EAME ONLY | 1205 |
| DECAL SHEET-VEHICLE - 501503D1 | 1203 |
| FILM GP - MT835B 501615D1 | 1159 |
| FILM GP - MT845B 501616D1 | 1161 |
| FILM GP - MT855B 501617D1 | 1163 |
| FILM GP - MT865B 501618D1 | 1165 |
| FILM GP - MT875B 501619D1 | 1167 |
| FILM GP-& PLATES - 179-2185 ROW & SPECIAL (PAGE 1 OF 5) | 1191 |

DECALS & MARKINGS (CONTINUED)

| | |
|---|------|
| FILM GP-& PLATES - 179-2185 ROW & SPECIAL (PAGE 2 OF 5) | 1193 |
| FILM GP-& PLATES - 179-2185 ROW & SPECIAL (PAGE 3 OF 5) | 1195 |
| FILM GP-& PLATES - 179-2185 ROW & SPECIAL (PAGE 4 OF 5) | 1197 |
| FILM GP-& PLATES - 179-2185 ROW & SPECIAL (PAGE 5 OF 5) | 1199 |
| FILM GP-CAT - 500735D1 | 1169 |
| FILM GP-CHALLENGER - 500736D1 | 1171 |
| FILM GP-PAINT & - 179-2261 EAME ONLY (PAGE 1 OF 9) | 1173 |
| FILM GP-PAINT & - 179-2261 EAME ONLY (PAGE 2 OF 9) | 1175 |
| FILM GP-PAINT & - 179-2261 EAME ONLY (PAGE 3 OF 9) | 1177 |
| FILM GP-PAINT & - 179-2261 EAME ONLY (PAGE 4 OF 9) | 1179 |
| FILM GP-PAINT & - 179-2261 EAME ONLY (PAGE 5 OF 9) | 1181 |
| FILM GP-PAINT & - 179-2261 EAME ONLY (PAGE 6 OF 9) | 1183 |
| FILM GP-PAINT & - 179-2261 EAME ONLY (PAGE 7 OF 9) | 1185 |
| FILM GP-PAINT & - 179-2261 EAME ONLY (PAGE 8 OF 9) | 1187 |
| FILM GP-PAINT & - 179-2261 EAME ONLY (PAGE 9 OF 9) | 1189 |
| 179-2185 FILM GP-PAINT & ROW & SPECIAL APPLICATIONS | 1201 |

DIFFERENTIAL STEERING SYSTEM

| | |
|---|-----|
| CONTROL GP-SECONDARY STEERING - 166-4623 EAME ONLY | 751 |
| CONTROL GP-STEERING - 217-9779 ROW & SPECIAL ONLY | 747 |
| CONTROL GP-STEERING - 217-9780 EAME ONLY | 749 |
| HEAD GP-PUMP - 205-6398 | 753 |
| MOTOR & MOUNTING GP - 172-4517 STEERING EAME ONLY | 757 |
| MOTOR & MTG GP-STEERING - 158-2404 ROW & SPECIAL ONLY | 755 |
| MOTOR GP-PISTON - CH162-9601 STEERING | 759 |
| MOTOR GP-PISTON - CH162-9602 STEERING | 761 |
| ROTATING GP-MOTOR - 203-0189 STEERING | 763 |

DRAWBAR, THREE POINT HITCH AND PTO

| | |
|--|-----|
| ADAPTER GP-PLUG - 180-4039 ROW AND SPECIAL APPLICATIONS | 923 |
| CONTROL AR-DRAWBAR - 184-5033 | 925 |
| CONTROL AR-DRAWBAR - 210-7489 WIDE SWING | 927 |
| CONVERSION AR-NON AG - 179-0853 | 929 |
| COUPLER GP-QUICK - 179-3318 CATEGORY 3 & 4 NARROW | 931 |
| COUPLER GP-QUICK - 180-6640 CATEGORY 4 | 933 |
| CYLINDER AS-STEERING - CH189-6001 | 941 |
| CYLINDER AS-0102-0408-Y CH189-4911 101.6MM X 408MM (4 X 16.06") | 939 |
| CYLINDER GP - CH184-5034 | 935 |
| CYLINDER GP-STEERING - 183-4396 | 937 |
| DRAWBAR GP-SWINGING 210-7507 | 945 |
| DRAWBAR GP-WIDE SWINGING 180-4036 | 943 |
| GUARD GP-CYLINDER 200-8772 | 949 |
| GUARD GP-POWER TAKE-OFF - 183-4470 EAME ONLY | 987 |
| HITCH AR WIDE SWINGING DRAWBAR 179-0851 | 951 |
| HITCH AR-3 POINT CAT 3 & 4 NARROW-W/O HYD TRAILER BRAKES 169-0027 | 953 |
| HITCH AR-3 POINT CATEGORY 4-W/O HYD TRAILER BRAKES 169-0028 | 955 |
| HITCH AR-3 POINT - 179-0852 CATEGORY 3/4 W/STEERABLE | 957 |
| HITCH AR-3 POINT - 180-6639 CATEGORY 4 W/STEERABLE | 959 |
| HITCH AR-3 POINT - 186-0979 CATAGORY 3&4 NARROW- W/HYD TRAILER BRAKES EAME ONLY | 961 |
| HITCH AR-3 POINT - 189-3300 CATEGORY 4-W/HYDRAULIC TRAILER BRAKES EAME ONLY | 963 |
| HITCH GP-3 POINT - 179-3317 CATEGORY 3/4 | 965 |
| HITCH GP-3 POINT - 184-5065 CATEGORY 4 | 967 |
| LINES GP-CYLINDER - 158-2363 3 POINT HITCH | 969 |
| LINES GP-CYLINDER - 180-0503 POWERED DRAWBAR | 973 |
| LINES GP-POWER TAKE-OFF - 189-2976 | 975 |
| LINK GP-LIFT 186-1090 | 977 |
| LINK GP-UPPER 186-1091 | 979 |
| MOUNTING GP-CYLINDER - 184-5035 CONTROLLED DRAWBAR | 981 |
| PLUG GP-3 PT-HITCH - 224-9662 DRAWBAR HITCH APPLICATIONS | 983 |
| POWER TAKE-OFF (KIT) - 163-0400 ROW & SPECIAL APPLICATIONS | 985 |
| ROCKSHAFT GP - 186-1063 | 989 |
| SUPPORT GP-DRAWBAR - CONTROLLED 210-7509 | 995 |

DRAWBAR, THREE POINT HITCH AND PTO (CONTINUED)

| | |
|--|-----|
| SUPPORT GP-DRAWBAR - 180-4038 SCRAPER HITCH | 991 |
| SUPPORT GP-DRAWBAR - 210-7508 ROW AND SPECIAL APPLICATIONS | 993 |

ELECTRICAL & STARTING

| | |
|---|-----|
| ANTENNA GP-DATA RADIO - 501124D1 GPS BASE STATION | 305 |
| BATTERY & WIRING GP - 136-5662 4 BATTERIES W/O DISCONNECT SWITCH | 185 |
| BATTERY & WIRING GP - 136-5663 4 BATTERIES W/DISCONNECT SWITCH | 187 |
| BATTERY & WIRING GP - 136-5663 4 BATTERIES WITH DISCONNECT SWITCH | 189 |
| BLOCK AS-FUSE 501829D1 | 261 |
| BLOCK AS-FUSE 501830D1 | 263 |
| BLOCK AS-FUSE 501831D1 | 265 |
| BLOCK AS-FUSE 501832D1 | 267 |
| BLOCK AS-FUSE 501833D1 | 269 |
| BLOCK AS-FUSE 501834D1 | 271 |
| BLOCK AS-FUSE 501835D1 | 273 |
| CIRCUIT BREAKER GP - 136-5654 ELECTRONIC CONTROL MODULE | 191 |
| CONTROL & WIRING GP - 136-5670 | 193 |
| CONTROL & WIRING GP-HITCH - 136-5378 LIFT CIRCUIT | 195 |
| CONTROL AR - AUTOGUIDE SYSTEM 500628D1 | 201 |
| CONTROL AR-COMMUNICATION - 216-0852 ISO | 197 |
| CONTROL AR-MACHINE - 216-0874 ISO READY UPGRADE | 199 |
| CONTROL GP-ELECTRONIC 501033D1 | 253 |
| CONTROL GP-POWER TAKE-OFF - 152-0446 ROW | 205 |
| CONTROL GP-POWER TAKE-OFF - 224-5884 EAME | 207 |
| CONTROL GP-UNPROGRAMMED 216-0658 | 211 |
| ELECTRONICS GP-IMPLEMENT - 229-0891 (SOFTWARE) 3 POINT HITCH | 213 |
| ELECTRONICS GP-MACHINE - ISO 216-0614 | 215 |
| FUSE GP - 169-6380 | 257 |
| FUSE GP-CLAAS - 172-6841 EAME ONLY | 259 |
| HEATER GP-BLOCK-120V - 215-1807 <- BAM60689;BBP60516;BCC60853; BDS61024;BFT60120 ROW & SPECIAL | 217 |
| HEATER GP-BLOCK-120V - 503639D1 -> BAM60689;BBP60516;BCC60853; BDS61024;BFT60120 ROW & SPECIAL ONLY | 219 |
| HEATER GP-JACKET WATER - 240V 215-1809 EAME ONLY | 221 |
| HEATER GP-TRANSMISSION - 120V 163-0402 ROW & SPECIAL ONLY | 223 |
| HEATER GP-TRANSMISSION - 240V 163-0403 EAME ONLY | 225 |
| KIT CONTROL AR-AUTOGUIDE SYSTEM 500630D1 FIELD INSTALLED | 203 |
| KIT-GPS BASE STATION - 502609D1 | 303 |
| KIT-PTO SWITCH ADAPTOR 502423D1 | 209 |
| LAMP GP-HOOD - 12V HALOGEN 500775D1 | 235 |
| LAMP GP-HOOD - 12V HID 500776D1 | 237 |
| LIGHT AS - COURTESY - 12V 501935D1 | 227 |
| LIGHTING GP - 12V DELUXE 500646D1 | 231 |
| LIGHTING GP - 12V HID 500647D1 | 233 |
| LIGHTING GP - 12V STD 500645D1 ROW AND SPECIAL APPLICATIONS | 229 |
| LIGHTING GP-ROAD (LH TRAFFIC) 168-6580 FIELD INSTALLED EAME ONLY | 249 |
| LIGHTING GP-ROAD (RH TRAFFIC) 168-6581 FIELD INSTALLED EAME ONLY | 251 |
| LIGHTING GP-SIGNAL - 12V 136-5665 | 239 |
| LIGHTING GP-SIGNAL - 136-5429 EAME ONLY | 243 |
| LIGHTING GP-SIGNAL - 216-0806 EAME ONLY | 241 |
| LIGHTING GP-WARNING 216-9823 | 245 |
| LIGHTING GP-WARNING - 12V 162-4101 | 247 |
| MOUNTING GP-BATTERY - 142-9739 4 BATTERIES | 255 |
| MOUNTING GP-GPS - 500478D1 AUTOGUIDE SYSTEM | 293 |
| MOUNTING GP-KIT - 187-4896 AUX ANTENNA & NON-AUTOGUIDE GPS RECEIVER | 295 |
| MOUNTING GP-PDA - 501168D1 AUTOGUIDE SYSTEM | 301 |
| RECEIVER GP-TRANSMITTER & GPS - 500607D1 AUTOGUIDE CONTROL | 307 |
| RECEIVER KIT-TRANSMITTER - 162-4099 | 299 |
| SENSOR & MTG GP-GROUND SPEED 136-5388 | 275 |
| SENSOR & MTG GP-GROUND SPEED 136-5404 EAME | 277 |
| SENSOR GP-POSITION - 500619D1 REAR HITCH HEIGHT-OUTER | 279 |
| SENSOR GP-POSITION - 502003D1 REAR HITCH HEIGHT-INNER ROTARY SENSOR | 281 |
| SENSOR GP-PRESSURE - CH161-9932 | 359 |

ELECTRICAL & STARTING (CONTINUED)

| | |
|---|-----|
| STARTING AID GP-ETHER - 501572D1 | 283 |
| STARTING MOTOR GP-ELECTRIC - 180-2924 (835 & 845) | 285 |
| STARTING MOTOR GP-ELECTRIC - 502282D1 12 VOLT | 287 |
| STARTING MOTOR GP-ELECTRIC - 502283D1 12 VOLT | 289 |
| SWITCH GP-GUIDANCE - 500606D1 AUTOGUIDE SYSTEM | 291 |
| SWITCH GP-WIPER - CH135-9967 INTERMITTENT 12 VOLT | 297 |
| VALVE GP-ETHER - 501967D1 | 309 |
| WARNING GP-BACKUP - 195-5968 | 311 |
| WIRING GP - 214-3504 AUTOGUIDE ISO COMPATIBLE | 315 |
| WIRING GP REMOTE CONTROL - 173-6505 | 313 |
| WIRING GP-AUXILIARY - 162-4097 | 317 |
| WIRING GP-CAB - 152-0005A EAME ONLY | 325 |
| WIRING GP-CAB - 152-0005B EAME ONLY | 327 |
| WIRING GP-CAB - 152-0420A ROW & SPECIAL APPLICATIONS | 319 |
| WIRING GP-CAB - 152-0420B | 323 |
| WIRING GP-COMPACT DISC CHANGER 195-9532 | 331 |
| WIRING GP-CONSOLE - 136-5477 WITHOUT PTO | 335 |
| WIRING GP-CONSOLE - 166-1211 ARMREST W/PTO | 333 |
| WIRING GP-CONSOLE - 168-1946 EAME ONLY | 337 |
| WIRING GP-MACHINE - 136-5668 | 341 |
| WIRING GP-SHUTOFF - 162-4096 ENGINE | 351 |
| WIRING GP-SHUTOFF - 173-6501 TIME DELAY LIGHTING SHUTOFF | 353 |
| WIRING GP-TRAILER - 162-4102 CONNECTOR SWITCHES ROW & SPECIAL | 355 |
| WIRING GP-TRAILER - 168-1945 CONNECTOR SWITCHES EAME | 357 |
| WIRING GP-TRAILER JUMPER - 501940D1 | 329 |
| WIRING GP-VEHICLE - 136-5668 | 339 |
| WIRING GP-VEHICLE - 136-5669 EAME ONLY | 345 |

ENGINE INSTALLATION ARRANGEMENT

| | |
|--|-----|
| AIR COMPRESSOR GP - 215-8055 | 97 |
| COMPRESSOR GP-AIR - 500970D1 MT855B & MT865B | 91 |
| COMPRESSOR GP-AIR - 501600D1 | 95 |
| DRIVE GP-ACCESSORY - 187-1791 | 99 |
| DRIVE GP-FAN - 197-5675 | 101 |
| INSTALLATION AR - MT835B 501583D1 | 81 |
| INSTALLATION AR - MT845B 501584D1 | 83 |
| INSTALLATION AR - MT855B 501585D1 | 85 |
| INSTALLATION AR - MT865B 501586D1 | 87 |
| INSTALLATION AR - MT875B 501587D1 | 89 |
| MOUNTING GP-ALTERNATOR - 501573D1 | 103 |
| MOUNTING GP-ENGINE - 172-5333 | 105 |
| MOUNTING GP-REFRIGERANT COMPR - 187-1792 | 107 |
| PULLEY GP - 185-2240 A4-HI AMBIENT | 109 |

FRAME AND BODY

| | |
|--|-----|
| CHASSIS AR - 179-1953 | 505 |
| COUNTERWEIGHT GP - 185-8688 ROLLER FRAME 1393KG (3071 LB) | 507 |
| COUNTERWEIGHT GP - 185-8690 ROLLER FRAME 2786KG (6142 LB) | 509 |
| COUNTERWEIGHT GP-FRONT - 184-5329 20 WEIGHTS (1440KG/3175LB) | 515 |
| COUNTERWEIGHT GP-FRONT - 184-5357 32 WEIGHTS (2000KG/4409LB) | 519 |
| COUNTERWEIGHT GP-FRONT - 502116D1 6 WEIGHTS (963KG/2063LB) EAME ONLY | 511 |
| COUNTERWEIGHT GP-FRONT - 502117D1 16 WEIGHTS (1403KG/3091LB) EAME ONLY | 513 |
| COUNTERWEIGHT GP-FRONT - 502118D1 28 WEIGHTS (1963KG/4328LB) EAME ONLY | 517 |
| COUNTERWEIGHT GP-IDLER - 177-4588 909 KG (2000 LB) | 521 |
| COUNTERWEIGHT GP-IDLER - 178-8047 1575 KG (3500 LB) | 523 |
| COUNTERWEIGHT GP-IDLER - 185-8720 2043 KG (4500 LB) | 525 |
| COVER GP-ACCESS - 190-5943 | 527 |
| ENCLOSURE GP - 502055D1 | 575 |
| EXTENSION GP-FENDER - 186-2427 EAME ONLY | 533 |
| FENDER GP - 161-9174 ROW & SPECIAL | 529 |
| FENDER GP - 161-9177 EAME ONLY | 531 |
| FRAME GP - 179-1954 (MT835B & MT845B) | 535 |

FRAME AND BODY (CONTINUED)

| | |
|---|-----|
| GRILL GP-RADIATOR - 158-5960 | 537 |
| GUARD GP - 187-8609 EAME ONLY | 539 |
| GUARD GP-BOTTOM - 185-8849 | 541 |
| GUARD GP-BOTTOM - 200-8826 FOR USE WITH 197-8558 AUX FUEL TANK AR | 543 |
| GUARD GP-BOTTOM - 213-2481 REAR | 545 |
| GUARD GP-POWER TRAIN - 189-5805 (MT835B & MT845B) | 547 |
| HANDHOLD GP - 203-9179 INNER | 549 |
| HANDHOLD GP - 221-8534 EAME ONLY | 581 |
| HOOD & GUARD GP - 502353D1 1 OF 2 EAME ONLY | 557 |
| HOOD & GUARD GP - 502353D1 2 OF 2 EAME ONLY | 559 |
| HOOD & GUARD GP - 502647D1 1 OF 2 ROW & SPECIAL | 553 |
| HOOD & GUARD GP - 502647D1 2 OF 2 ROW & SPECIAL | 555 |
| KIT-EXTRA WIDE MIRRORS - 501557D1 MANUAL ADJUSTMENT ROW & SPECIAL | 561 |
| KIT-MOUNTING - 208-7698 FIRE EXTINGUISHER ROW & SPECIAL | 563 |
| MOUNTING GP-BODY - 158-5925 LICENSE PLATE EAME ONLY | 569 |
| MOUNTING GP-CAB - 162-4112 | 567 |
| MOUNTING GP-COUNTERWEIGHT - 184-5337 504 KG (1112 LB) | 571 |
| MOUNTING GP-MONITOR - 222-7965 | 573 |
| MOUNTING GP-WITH FIRE EXTINGUISHER 501785D1 EAME ONLY | 565 |
| PLUG GP-COUNTERWEIGHT - 183-5789 COMPLETING | 577 |
| REFLECTOR GP - 215-7336 FOR USE WITH DRAWBAR EAME | 595 |
| REFLECTOR GP - 215-9580 FOR USE WITH HITCH EAME | 597 |
| STEP GP - 156-1327 | 579 |
| SUPPORT GP-COMPONENT 190-5441 | 589 |
| SUPPORT GP-FUEL TANK - 186-5431 1 OF 2 | 583 |
| SUPPORT GP-FUEL TANK - 186-5431 2 OF 2 | 585 |
| TOW CABLE GP - 500039D1 ROW ONLY | 551 |
| WALKWAY GP 183-6384 | 591 |
| WARNING GP-SLOW MOVING VEHICLE 172-8886 | 593 |

FUEL SYSTEM

| | |
|--|-----|
| CONTROL GP-DECELERATOR - 152-0447 | 161 |
| CONTROL GP-GOVERNOR - 207-2031 | 163 |
| FILTER GP-WATER SEP & FUEL - 502352D1 | 165 |
| LINES GP-FUEL - 197-1317 | 171 |
| LINES GP-FUEL - 501582D1 MT835B, MT845B, MT855B & MT865B | 167 |
| LINES GP-FUEL - 502735D1 MT875B | 169 |
| TANK & MTG GP-FUEL - 179-2182 | 173 |
| TANK AR-FUEL - 197-8558 AUXILIARY 94.8 LITERS (25 GALLONS) | 175 |
| TANK GP-FUEL - 186-5432 1155 LITERS (305 GALLONS) | 177 |
| TANK GP-FUEL - 196-7742 RIGHT HAND | 179 |
| TANK GP-FUEL - 206-8891 94.63 LITERS (25 GALLONS) | 183 |
| TANK GP-FUEL - 500016D1 LEFT HAND | 181 |

HYDRAULIC SYSTEM

| | |
|---|-----|
| ACTUATOR GP-PISTON PUMP - CH183-8430 | 765 |
| CASE DRAIN GP-FLAT FACE - 502643D1 3 PT HITCH ROW & EAME | 791 |
| CASE DRAIN GP-PIONEER - 502644D1 3-PT HITCH ROW & EAME | 793 |
| CONNECTOR GP-VALVE - 180-7174 ABOVE 60 LPM HYDRAULIC POWER BEYOND ROW AND SPECIAL APPLICATIONS | 769 |
| CONVERSION GP-CONTROL VALVE - 185-8699 4 VALVE TO 5 VALVE UPGRADE | 771 |
| CONVERSION GP-CONTROL VALVE - 185-8701 | 773 |
| CONVERSION GP-CONTROL VALVE - 189-5906 5 VALVE TO 6 VALVE UPGRADE | 777 |
| CONVERSION GP-CONTROL VALVE - 189-5910 4 VALVE TO 5 VALVE UPGRADE | 775 |
| CYLINDER GP (0125-0345-Y) 125MM X 345MM (4.92 X 13.58") | 787 |
| CYLINDER GP-LIFT | 785 |
| FILTER & MTG GP-HYDRAULIC 158-2349 | 789 |
| FILTER GP-OIL (BASIC) - 501767D1 | 795 |
| HYDRAULIC AR 501809D1 | 797 |
| HYDRAULIC KIT-POWER BEYOND - 178-7162 STD FLOW (0-60 LPM) .5" COUPLER ROW AND SPECIAL APPLICATIONS | 767 |
| KIT-CONVERSION-IMPL VALVE - 502218D1 4 VALVE TO 6 VALVE UPGRADE (HIGH FLOW) SPECIAL APPLICATIONS | 779 |
| KIT-COUPLING-POWER BEYOND - 189-3143 (CLAAS) EAME ONLY | 783 |
| KIT-HYDRAULIC VALVE AS - 502217D1 CONVERT 4 REMOTE TO 5 REMOTE VALVES NON-STEERABLE HITCH | 781 |

HYDRAULIC SYSTEM (CONTINUED)

| | |
|---|-----|
| LINES GP-COUPLER 190-0438 | 799 |
| LINES GP-COUPLER 210-0851 | 801 |
| LINES GP-ECOLOGY - 502214D1 | 823 |
| LINES GP-HYD - 502220D1 1 OF 2 | 813 |
| LINES GP-HYD - 502220D1 2 OF 2 | 817 |
| LINES GP-HYD OIL 501950D1 | 803 |
| LINES GP-HYDRAULIC - 209-8326 (FOR USE W/85CC CAPACITY CHARGE PUMP) | 811 |
| LINES GP-HYDRAULIC OIL 193-1558 | 807 |
| LINES GP-HYDRAULIC OIL - 209-8325 ROW & EAME ONLY | 809 |
| LINES GP-HYDRAULIC OIL - 501130D1 HYDRAULIC TRAILER BRAKE | 825 |
| LINES GP-IMPL - 172-4519 87CC CAPACITY IMPLEMENT PUMP | 821 |
| LINES GP-IMPLEMENT - 172-4518 ROW & EAME ONLY | 819 |
| LINES GP-STEERING - 158-2393 | 827 |
| MOUNTING GP-VALVE - 158-2339 | 829 |
| MOUNTING GP-VALVE - 162-9805 | 833 |
| MOUNTING GP-VALVE - 193-1548 | 831 |
| PUMP & MOUNTING GP - 162-9804 (63CC IMPLEMENT PUMP) | 835 |
| PUMP & MOUNTING GP - 165-7901 (87CC IMPLEMENT PUMP) | 837 |
| PUMP & MTG GP-HYDRAULIC - 158-2397 SCAVENGE PUMP | 839 |
| PUMP AR-HYDRAULIC - 180-0184 63CC IMPLEMENT PUMP | 841 |
| PUMP AR-HYDRAULIC - 180-0185 87CC IMPLEMENT PUMP | 843 |
| PUMP GP-GEAR - CH206-6337 STEERING, IMPLEMENT & TRANS CHARGE | 847 |
| PUMP GP-GEAR - CH207-3629 SCAVENGE PUMP STEERING, IMPLEMENT & TRANS CHARGE | 849 |
| PUMP GP-PISTON (SLIPPER) - CH206-9019 63CC IMPLEMENT ROW & EAME | 845 |
| PUMP GP-PISTON - CH162-9592 SCAVENGE PUMP SLIPPER | 851 |
| PUMP GP-PISTON - CH206-9017 87CC IMPLEMENT | 853 |
| ROTATING GP-PUMP - 190-3118 87CC IMPLEMENT PUMP | 857 |
| ROTATING GP-PUMP - 190-6501 63CC IMPLEMENT PUMP ROW & EAME | 855 |
| ROTATING GP-PUMP - 205-6400 SCAVENGE PUMP | 859 |
| VALVE AR - 180-1438 5 IMPLEMENTS | 873 |
| VALVE AR - 193-8197 W/O HITCH & W/O HYDRAULIC TRAILER BRAKE | 861 |
| VALVE AR - 193-8198 W/HITCH & W/O HYDRAULIC TRAILER BRAKE | 865 |
| VALVE AR - 193-8199 W/O HITCH & W/HYDRAULIC TRAILER BRAKE EAME ONLY | 867 |
| VALVE AR - 193-8200 W/HITCH & W/HYDRAULIC TRAILER BRAKE EAME ONLY | 869 |
| VALVE AR - 501070D1 W/O HITCH & W/HYDRAULIC TRAILER BRAKE | 863 |
| VALVE AR-BANK 4 - 180-1434 | 871 |
| VALVE AR-IMPL - 500795D1 6 IMPLEMENTS | 875 |
| VALVE AR-4 IMPL - 502051D1 HIGH FLOW SPECIAL APPLICATIONS ONLY | 877 |
| VALVE AR-6 IMPL - 502052D1 HIGH FLOW SPECIAL APPLICATIONS ONLY | 879 |
| VALVE GP-BANK 2 - 192-4816 PRIORITY W/HYDRAULIC TRAILER BRAKE | 881 |
| VALVE GP-BANK 3 - 192-4708 PRIORITY WITH HITCH | 883 |
| VALVE GP-BANK 4 - 192-4817 PRIORITY W/HITCH & W/HYD TRAILER BRAKES EAME ONLY | 885 |
| VALVE GP-BANK 5 - 180-0495 IMPLEMENT | 891 |
| VALVE GP-BANK 6 - 500752D1 5 REMOTES | 893 |
| VALVE GP-BRAKE CONTROL - 196-2318 HYDRAULIC TRAILER BRAKES | 907 |
| VALVE GP-CONTROL - 162-9816 IMPLEMENT | 897 |
| VALVE GP-CONTROL - 162-9817 STEERABLE HITCH | 901 |
| VALVE GP-CONTROL - 162-9818 3 POINT HITCH | 903 |
| VALVE GP-CONTROL - 192-4707 PRIORITY W/HYDRAULIC TRAILER BRAKES | 905 |
| VALVE GP-CONTROL - 209-5019 PRIORITY & ACCUMULATOR CHARGE | 909 |
| VALVE GP-CONTROL - 209-5020 PRIORITY | 911 |
| VALVE GP-CONTROL - 209-5021 | 913 |
| VALVE GP-CONTROL - 502038D1 HIGH FLOW | 899 |
| VALVE GP-FLOW CONTROL&RELIEF - 227-8830 IMPLEMENT | 895 |
| VALVE GP-HIGH FLOW-BANK 4 - 502039D1 IMPLEMENT | 887 |
| VALVE GP-HIGH FLOW-BANK 6 - 502040D1 IMPLEMENT SPECIAL APPLICATIONS ONLY | 889 |
| VALVE GP-PRESS & FLOW CMPNSTR - 214-9379 | 915 |
| VALVE GP-PRESSURE COMPENSATOR CH6E-4392 | 917 |
| VALVE GP-SERVO - CH183-8417 | 919 |
| VALVE GP-SERVO - 205-6412 | 921 |

HYDRAULIC SYSTEM (CONTINUED)

MACHINE ARRANGEMENT

| | |
|---|----|
| BASE COMMON AR - 501810D1 ROW & SPECIAL ONLY | 77 |
| BASE COMMON AR - 501811D1 EAME ONLY | 79 |
| BASE UNIT AR-MT835B - 501588D1 ROW | 47 |
| BASE UNIT AR-MT835B - 501593D1 EAME | 57 |
| BASE UNIT AR-MT835B - 501605D1 SPECIAL APPLICATIONS | 67 |
| BASE UNIT AR-MT845B - 501589D1 ROW | 49 |
| BASE UNIT AR-MT845B - 501594D1 EAME | 59 |
| BASE UNIT AR-MT845B - 501606D1 SPECIAL APPLICATIONS | 69 |
| BASE UNIT AR-MT855B - 501590D1 ROW | 51 |
| BASE UNIT AR-MT855B - 501595D1 EAME | 61 |
| BASE UNIT AR-MT855B - 501607D1 SPECIAL APPLICATIONS | 71 |
| BASE UNIT AR-MT865B - 501591D1 ROW | 53 |
| BASE UNIT AR-MT865B - 501596D1 EAME | 63 |
| BASE UNIT AR-MT865B - 501608D1 SPECIAL APPLICATIONS | 73 |
| BASE UNIT AR-MT875B - 501592D1 ROW | 55 |
| BASE UNIT AR-MT875B - 501597D1 EAME | 65 |
| BASE UNIT AR-MT875B - 501609D1 SPECIAL APPLICATIONS | 75 |

MAINTENANCE PARTS

| | |
|--------------------------------|------|
| RECOMMENDED DEALER STOCK | 1217 |
|--------------------------------|------|

OPERATOR STATION

| | |
|---|------|
| AIR CONDITIONER & MOUNTING GP - BASIC 502502D1 | 997 |
| AIR CONDITIONER & MOUNTING GP - DELUXE 502501D1 | 999 |
| ANTENNA GP-RADIO - 168-1951 | 1005 |
| ANTENNA GP-RADIO - 168-1951 BUSINESS BAND | 1007 |
| ARMREST GP - 500484D2 4 IMP W/PTO-W/O HTCH | 1091 |
| ARMREST GP - 500485D2 4 IMP W/PTO-W/HITCH | 1093 |
| ARMREST GP - 500486D2 4 IMP W/O PTO-W/O HITCH | 1095 |
| ARMREST GP - 500487D2 4 IMP W/O PTO-W/HITCH | 1097 |
| ARMREST GP - 500488D2 5 IMP W/PTO-W/O HITCH | 1099 |
| ARMREST GP - 500489D2 5 IMP W/PTO-W/HTCH | 1101 |
| ARMREST GP - 500490D2 5 IMP W/O PTO-W/O HITCH | 1103 |
| ARMREST GP - 500491D2 5 IMP W/O PTO-W/HITCH | 1105 |
| ARMREST GP - 500791D2 6 IMP W/PTO-W/O HITCH | 1107 |
| ARMREST GP - 500792D2 6 IMP W/PTO-W/HITCH | 1109 |
| ARMREST GP - 500793D2 6 IMP W/O PTO-W/O HITCH | 1111 |
| ARMREST GP - 500794D2 6 IMP W/O PTO-W/HITCH | 1113 |
| CAB AR-BASIC - 500842D1 EAME ONLY | 1009 |
| CAB AR-BASIC - 500844D1 ROW & SPECIAL APPLICATIONS | 1013 |
| CAB AR-DELUXE - 500841D1 EAME ONLY | 1011 |
| CAB AR-DELUXE - 500849D1 ROW & SPECIAL APPLICATIONS | 1015 |
| CAB GP - 152-0003 ROW & SPECIAL APPLICATIONS | 1017 |
| CAB GP - 152-0004 EAME ONLY | 1019 |
| CHANGER GP-COMPACT DISC - 173-6507 ROW AND SPECIAL APPLICATIONS | 1079 |
| COMPRESSOR GP-REFRIGERANT - CH178-9570 | 1021 |
| CONDITIONER GP-AIR - BASIC 502500D1 | 1001 |
| CONDITIONER GP-AIR - DELUXE 502499D1 | 1003 |
| CONSOLE GP - 500768D1 | 1025 |
| CONSOLE GP-MTG - 500839D1 | 1089 |
| CONSOLE GP-OPERATOR - 152-0434 WITH PTO | 1023 |
| CONTROL GP-AIR & TEMPERATURE 166-4586 | 1031 |
| CONTROL GP-BRAKE & CLUTCH 152-0438 | 1033 |
| CONTROL GP-HITCH - 152-0445 REAR 3 POINT | 1035 |
| CONTROL GP-IMPLEMENT 209-8704 | 1045 |
| CONTROL GP-IMPLEMENT - 4 HANDLES 152-0443 | 1039 |
| CONTROL GP-IMPLEMENT - 4TH HANDLE 136-5355 | 1037 |
| CONTROL GP-IMPLEMENT - 5 HANDLES 166-4590 | 1043 |
| CONTROL GP-IMPLEMENT - 6TH HANDLE 152-0448 | 1041 |
| CONTROL GP-TRANSMISSION 169-6346 | 1047 |
| CONTROL GP-TRANSMISSION 169-6347 | 1049 |

OPERATOR STATION (CONTINUED)

| | |
|---|------|
| COVER GP - 500761D1 | 1027 |
| DOOR GP-CAB (LH) 500927D1 | 1051 |
| DUCT GP-CAB AIR 166-4556 | 1053 |
| GLASS GP-WINDSHIELD - 151-9994 ROW & SPECIAL | 1149 |
| GLASS GP-WINDSHIELD - 151-9995 EAME ONLY | 1151 |
| HEADLINER GP - 152-0418 | 1057 |
| INSULATION GP-WEATHER - 217-2214 | 1087 |
| KIT-BAFFLE (AIR RECIRCULATION) 501817D1 FIELD INSTALLED | 1029 |
| KIT-SEAT AS (LUMBAR) - BASIC 220-2329 | 1121 |
| KIT-SEAT AS (LUMBAR) - DELUXE 501912D1 | 1123 |
| KIT-SEAT SUSPENSION - BASIC 501898D1 | 1125 |
| KIT-SEAT SUSPENSION - DELUXE 501909D1 | 1127 |
| KIT-SUSPENSION GP - DELUXE SEAT 501916D1 | 1131 |
| KIT-SUSPENSION GP-BASIC SEAT 501900D1 | 1129 |
| LINES GP-A/C - 501579D1 MT835B, MT845B, MT855B & MT865B | 1059 |
| LINES GP-A/C - 502733D1 MT875B | 1061 |
| LINES GP-HEATER - DELUXE 208-2881 | 1065 |
| LINES GP-HEATER - 208-2880 | 1063 |
| MIRROR GP - 206-0588 SIDE AREA VIEW EAME ONLY | 1071 |
| MIRROR GP-REAR VIEW - 209-5607 MANUAL ADJUSTMENT | 1067 |
| MIRROR GP-REAR VIEW - 209-5608 POWER ADJUSTMENT & HEATED | 1069 |
| RADIO GP-AUTOGUIDE - 232-0869 | 1081 |
| RADIO GP-DELUXE - 168-1970 12V HD AM/FM/WB/CAS/REMOTE/GRN BACKLIGHT ROW AND SPECIAL APPLICATIONS | 1075 |
| RADIO GP-DELUXE CD - 170-5739 12V HD AM/FM/WB/CD/REMOTE/GRN BACKLIGHT ROW AND SPECIAL APPLICATIONS | 1077 |
| RADIO GP-STD - 168-1952 12V HD, AM/FM/WB/CASS W/GREEN BACKLIGHT | 1073 |
| ROOF GP-CAB - 152-0417 ROW AND SPECIAL APPLICATIONS | 1083 |
| ROOF GP-CAB - 152-0444 EAME ONLY | 1085 |
| SEAT GP - DELUXE 500853D1 | 1119 |
| SEAT GP-BASIC 500840D1 | 1117 |
| SEAT GP-COMPANION - 152-0433 | 1115 |
| SPEAKER GP-RADIO 152-0419 | 1133 |
| SPEAKER GP-RADIO - SUBWOOFER 173-6506 | 1135 |
| STEERING COLUMN GP - CH166-3611 | 1137 |
| TRIM GP-CAB - 224-3917 1 OF 2 | 1139 |
| TRIM GP-CAB - 224-3917 2 OF 2 | 1141 |
| VISOR GP-CAB (SUN VISOR) - FRONT 152-0424 | 1143 |
| VISOR GP-CAB (SUN VISOR) - REAR 162-4095 | 1145 |
| VISOR GP-CAB (SUN VISOR) - SIDE 501886D1 | 1147 |
| WIPER GP-WINDOW - BASIC 152-0422 | 1153 |
| WIPER GP-WINDOW - DELUXE 196-3968 | 1155 |
| WIPER GP-WINDOW - RH 162-4103 | 1157 |

PAINT

| | |
|------------------------------|------|
| PAINT (ORDER FROM CAT) | 1215 |
|------------------------------|------|

POWER TRAIN

| | |
|---|-----|
| 152-5242 TRANSMISSION AR S/N: 9YY1-UP | 469 |
| 155-9571 CLUTCH GP-INPUT S/N: 9YY1-1465 | 387 |
| 155-9572 CLUTCH GP-INTERMEDIATE SHAFT S/N: 9YY1-1465 | 389 |
| 155-9575 CLUTCH GP-REVERSE S/N: 9YY1-UP | 393 |
| 155-9576 CLUTCH GP-OUTPUT SHAFT S/N: 9YY1-UP | 395 |
| 155-9579 CASE & PARTS GP-PLANETARY S/N: 9YY1-950 | 381 |
| 155-9579 CASE & PARTS GP-PLANETARY S/N: 9YY951-UP | 383 |
| 155-9580 CONTROL GP-TRANSMISSION HYD S/N: 9YY1-UP | 413 |
| 177-5233 CLUTCH GP-PLANETARY S/N: 9YY1-UP | 399 |
| 177-5234 DRIVE GP-PUMP S/N: 9YY1-UP | 453 |
| 179-9479 FINAL DRIVE GP S/N: AZG1-955; AZJ1-1479 | 457 |
| 179-9479 FINAL DRIVE GP S/N: AZG956-UP; AZJ1480-UP | 459 |
| 179-9480 FINAL DRIVE GP S/N: AZH1-990; AZK1-987 2286-2600MM (90-102 IN) GAUGE | 461 |
| 179-9480 FINAL DRIVE GP S/N: AZH991-UP; AZK988-UP | 463 |
| 180-4376 DIFFERENTIAL GP-STEERING (PAGE 1 OF 2) S/N: AZG1-906; AZH1-972; | 417 |
| 180-4376 DIFFERENTIAL GP-STEERING (PAGE 2 OF 2) S/N: AZG1-906; AZH1-972; | 419 |

POWER TRAIN (CONTINUED)

| | |
|---|-----|
| 180-4376 DIFFERENTIAL GP-STEERING S/N: AZG1-906; AZH1-972; | 415 |
| 180-4376 DIFFERENTIAL GP-STEERING S/N: AZG1013-UP; AZH1005-UP; AZJ1897-UP | 443 |
| 180-4376 DIFFERENTIAL GP-STEERING S/N: AZG907-950; AZH973-983; | 423 |
| 180-4376 DIFFERENTIAL GP-STEERING S/N: AZG951-1012; AZH984-1004; | 433 |
| 185-3955 AXLE AR-WITH POWER TAKE-OFF S/N: AZG1-UP 2286-3251 MM (90-128 IN) | 475 |
| 185-3956 AXLE AR-WITH POWER TAKE-OFF S/N: AZH1-UP 2286-2600 MM (90-102 IN) | 477 |
| 185-3957 AXLE AR S/N: AZJ1-UP 2286-3251 MM (90-128 IN) CANNOT BE USED WITH POWER TAKE OFF | 479 |
| 185-3958 AXLE AR-WITHOUT POWER TAKE-OFF S/N: AZK1-UP 2286-2600 MM (90-102 IN) | 481 |
| 185-8737 COVER GP-DIFFERENTIAL S/N: AZJ1-UP; AZK1-UP | 483 |
| 187-4930 POWER TAKE-OFF GP S/N: AZG1-879; AZH1-959 1 OF 2 | 485 |
| 187-4930 POWER TAKE-OFF GP S/N: AZG1-879; AZH1-959 2 OF 2 | 489 |
| 187-4930 POWER TAKE-OFF GP S/N: AZG880-900; AZH960-971 1 OF 2 | 491 |
| 187-4930 POWER TAKE-OFF GP S/N: AZG880-900; AZH960-971 2 OF 2 | 495 |
| 187-4930 POWER TAKE-OFF GP S/N: AZG901-UP; AZH972-UP | 497 |
| 198-1013 VALVE GP-RELIEF S/N: 9YY1-UP | 473 |
| 200-5027 POWER TRAIN AR - WITH PTO | 373 |
| 200-5028 POWER TRAIN AR - WITH PTO | 375 |
| 200-5029 POWER TRAIN AR - W/ PTO | 377 |
| 200-5030 POWER TRAIN AR WITHOUT PTO | 379 |
| 211-8277 FASTENER GP-FINAL DRIVE | 455 |
| 216-5343 VALVE GP-MODULATING S/N: AZG1-879; AZH1-959 | 503 |
| 216-5343 VALVE GP-MODULATING S/N: AZG880-UP; AZH960-UP; 9YY1-UP 12V ELECTRONIC CLUTCH PRESSURE CONTROL | 471 |
| 225-6958 HOUSING GP-DIFFERENTIAL S/N: AZG1-950;AZH1-983; | 465 |
| 232-1774 CLUTCH GP-TRANSMISSION INPUT SHAFT CLUTCH GROUP S/N: 9YY1466-UP | 403 |
| 232-1774 CLUTCH GP-TRANSMISSION INTERMEDIATE SHAFT CLUTCH GROUP (1 OF 2) S/N: 9YY1466-UP | 405 |
| 232-1774 CLUTCH GP-TRANSMISSION INTERMEDIATE SHAFT CLUTCH GROUP (2 OF 2) S/N: 9YY1466-UP | 407 |
| 232-1774 CLUTCH GP-TRANSMISSION OUTPUT SHAFT CLUTCH GROUP (1 OF 2) S/N: 9YY1466-UP | 409 |
| 232-1774 CLUTCH GP-TRANSMISSION OUTPUT SHAFT CLUTCH GROUP (2 OF 2) S/N: 9YY1466-UP | 411 |
| 232-1774 CLUTCH GP-TRANSMISSION REVERSE SHAFT CLUTCH GROUP S/N: 9YY1466-UP | 401 |
| 242-0962 HOUSING GP-DIFFERENTIAL S/N: AZG951-UP; AZH984-UP; | 467 |

POWER TRAIN ATTACHING

| | |
|--|-----|
| BREATHER GP-POWERTRAIN - 502496D1 | 367 |
| DRAIN GP-ECOLOGY - CH163-0397 | 363 |
| FILLER GP-POWER TRAIN OIL - 502498D1 | 365 |
| GUARD GP-AXLE - 208-3021 EAME ONLY | 361 |
| SHAFT GP-INPUT - 163-0384 | 369 |
| UNIVERSAL JOINT GP - 163-0414 | 371 |

SERVICE EQUIPMENT AND SUPPLIES

| | |
|--|------|
| CABLE GP-TOW - 500039D1 SPECIAL APPLICATIONS | 1213 |
| PROTECTION GP-VANDALISM 185-8848 | 1209 |
| TOOL GP-AXLE GAUGE CHANGE 203-9712 | 1211 |

TRACK BELTS

| | |
|---|-----|
| BELT AR-EXTREME AP - 156-6075 (457MM/18") | 605 |
| BELT AR-EXTREME AP - 177-4522 (699MM/27.5") | 607 |
| BELT AR-EXTREME AP - 177-4523 (762MM/30") | 609 |
| BELT AR-EXTREME AP - 178-8087 (914MM/36") | 611 |
| BELT AR-GENERAL AG (762MM/30") | 601 |
| BELT AR-GENERAL AG - 156-6082 (914MM/36") | 603 |
| BELT AR-GENERAL AP - 156-6077 (699MM/27.5") | 599 |
| BELT AR-SPECIAL AP - 502027D1 (762MM/30") | 613 |
| BELT AR-SPECIAL AP - 502028D1 (914MM/36") | 615 |
| KIT-GUIDE BLOCK GENERAL AG & EXTREME APPLICATIONS | 617 |

UNDERCARRIAGE

| | |
|---|-----|
| BOGIE GP - 130-4818 | 639 |
| BRAKE AR-W/HITCH - 502358D1 EAME ONLY | 693 |
| BRAKE AR-W/O HITCH - 502357D1 EAME ONLY | 691 |
| FRAME AR-LH 156-4883 | 645 |
| FRAME AR-LH 502037D1 SPECIAL APPLICATIONS | 647 |
| FRAME AR-RH 156-4882 | 643 |
| FRAME AR-RH 502193D1 SPECIAL APPLICATIONS | 649 |
| | |
| FRAME GP-TRACK ROLLER - 163-0678 | 651 |
| GAGE AR-TRACK (W/O PTO) 2286-3251 MM (90-128 IN) SPECIAL APPLICATIONS | 627 |
| GAGE AR-TRACK (W/PTO) 2286-3251 MM (90-128 IN) ROW ONLY | 621 |
| GAGE AR-TRACK (W/PTO) 2286-3251 MM (90-128 IN) SPECIAL APPLICATIONS | 629 |
| GAUGE AR-TRACK (W/O PTO) 2286-2600 MM (90-102 IN) EAME ONLY | 623 |
| GAUGE AR-TRACK (W/O PTO) 2286-3251 MM (90-128 IN) ROW ONLY | 619 |
| GAUGE AR-TRACK (W/PTO) 2286-2600 MM (90-102 IN) EAME ONLY | 625 |
| GUARD GP-LINES - 201-9927 TENSIONER WIRE | 653 |
| GUARD GP-LINES - 201-9928 | 641 |
| IDLER GP - 127-9545 | 655 |
| MOUNTING GP-IDLER - 177-4589 | 657 |
| MOUNTING GP-TENSIONER - 184-6718 TRACK BELT | 659 |
| RESTRAIN GP-ROLLERFRAME - 500040D1 | 679 |
| ROLLER AR - 156-4891 MIDDLE 112 MM (4.4 IN) | 661 |
| ROLLER AR - 156-4893 MIDDLE 204 MM (8 IN) | 663 |
| SUPPORT GP-DRIVE WHEEL - 156-4884 RIGHT HAND | 665 |
| SUPPORT GP-DRIVE WHEEL - 156-4885 LEFT HAND | 667 |
| SUPPORT GP-UNDERCARRIAGE - 163-1009 WIDE GAUGE | 669 |
| SUPPORT GP-UNDERCARRIAGE - 177-9945 2286-2600MM (90-102 IN) EAME ONLY | 671 |
| TANK AR-AIR - 502359D1 EAME ONLY | 695 |
| TANK AR-AIR - 502360D1 ROW AND SPECIAL | 697 |
| TENSIONER GP-BELT (LH) 502103D1 SPECIAL APPLICATIONS | 635 |
| TENSIONER GP-BELT (RH) 502102D1 SPECIAL APPLICATIONS | 637 |
| TENSIONER GP-BELT - LH 500835D1 ROW & EAME | 631 |
| TENSIONER GP-BELT - RH 500836D1 ROW & EAME | 633 |
| UNDERCARRIAGE AR - 156-4881 ROW | 673 |
| UNDERCARRIAGE AR - 177-9946 EAME ONLY | 675 |
| UNDERCARRIAGE AR - 502325D1 SPECIAL | 677 |
| WEDGE GP-WHEEL - 189-8931 EAME ONLY | 689 |
| WHEEL AR-DRIVER - 220-2357 112 MM (4.4 IN) ROW & EAME | 681 |
| WHEEL AR-DRIVER - 220-2358 196 MM (7.7 IN) ROW AND EAME | 683 |
| WHEEL AR-IDLER - 220-2355 105 MM (4.1 IN) ROW & EAME | 685 |
| WHEEL AR-IDLER - 220-2356 192 MM (7.6 IN) | 687 |

INDEX

| Part No. | Page | Grid | Part No. | Page | Grid | Part No. | Page | Grid | Part No. | Page | Grid |
|------------|------|--------|------------|------|--------|------------|------|--------|------------|------|--------|
| AG514360 | 1155 | 1-F 21 | CH1P-4278 | 165 | 1-B 18 | CH110-0004 | 91 | 1-B 11 | CH120-4897 | 211 | 1-B 23 |
| AG514360 | 1157 | 1-F 21 | CH1P-4278 | 179 | 1-B 19 | CH110-2028 | 299 | 1-C 7 | CH120-9051 | 743 | 1-E 4 |
| AG518357 | 987 | 1-F 4 | CH1P-4278 | 367 | 1-C 14 | CH110-2028 | 321 | 1-C 10 | CH120-9051 | 745 | 1-E 4 |
| AG601152 | 575 | 1-D 11 | CH1P-4278 | 631 | 1-D 17 | CH110-2028 | 325 | 1-C 10 | CH121-9753 | 249 | 1-C 2 |
| CHOL-1352 | 97 | 1-B 11 | CH1P-4278 | 633 | 1-D 17 | CH110-2028 | 1083 | 1-F 14 | CH121-9753 | 251 | 1-C 3 |
| CHOL-2072 | 725 | 1-E 2 | CH1P-4278 | 635 | 1-D 17 | CH110-2028 | 1085 | 1-F 14 | CH121-9754 | 249 | 1-C 2 |
| CHOS-1617 | 97 | 1-B 11 | CH1P-4278 | 637 | 1-D 17 | CH110-2028 | 1133 | 1-F 19 | CH121-9754 | 251 | 1-C 3 |
| CHOT-0200 | 977 | 1-F 3 | CH1P-4278 | 823 | 1-E 12 | CH110-6349 | 631 | 1-D 17 | CH121-9755 | 249 | 1-C 2 |
| CHOT-0200 | 979 | 1-F 3 | CH1P-4578 | 821 | 1-E 12 | CH110-6349 | 633 | 1-D 17 | CH121-9755 | 251 | 1-C 3 |
| CH001-5600 | 747 | 1-E 4 | CH1P-5767 | 827 | 1-E 12 | CH110-6349 | 635 | 1-D 17 | CH121-9870 | 1141 | 1-F 20 |
| CH001-5600 | 749 | 1-E 4 | CH1R-0771 | 165 | 1-B 18 | CH110-6349 | 637 | 1-D 17 | CH122-1162 | 973 | 1-F 3 |
| CH001-5600 | 1033 | 1-F 9 | CH1R-0771 | 1217 | 1-G 3 | CH110-6349 | 827 | 1-E 12 | CH122-6606 | 859 | 1-E 15 |
| CH003-7764 | 139 | 1-B 15 | CH1S-0994 | 91 | 1-B 11 | CH111-0483 | 191 | 1-B 21 | CH122-6607 | 859 | 1-E 15 |
| CH003-7764 | 141 | 1-B 16 | CH1S-0994 | 95 | 1-B 11 | CH111-4627 | 1139 | 1-F 19 | CH122-8352 | 139 | 1-B 15 |
| CH003-7764 | 817 | 1-E 11 | CH1S-0994 | 195 | 1-B 21 | CH111-8897 | 921 | 1-E 22 | CH122-8352 | 141 | 1-B 16 |
| CH006-5490 | 141 | 1-B 16 | CH1S-0994 | 717 | 1-E 1 | CH112-4631 | 921 | 1-E 22 | CH122-9250 | 729 | 1-E 2 |
| CH006-6586 | 367 | 1-C 14 | CH1S-0994 | 737 | 1-E 3 | CH112-6174 | 1153 | 1-F 21 | CH122-9250 | 733 | 1-E 3 |
| CH030-9613 | 1157 | 1-F 21 | CH1S-0994 | 815 | 1-E 11 | CH112-6174 | 1155 | 1-F 21 | CH123-0707 | 321 | 1-C 10 |
| CH033-1097 | 943 | 1-E 24 | CH1S-0994 | 817 | 1-E 11 | CH113-0899 | 1035 | 1-F 9 | CH123-0707 | 325 | 1-C 10 |
| CH033-5879 | 895 | 1-E 19 | CH1S-0994 | 823 | 1-E 12 | CH113-4420 | 763 | 1-E 6 | CH123-1373 | 185 | 1-B 20 |
| CH033-6031 | 821 | 1-E 12 | CH1S-1015 | 827 | 1-E 12 | CH113-8490 | 261 | 1-C 4 | CH123-2017 | 753 | 1-E 5 |
| CH033-6032 | 897 | 1-E 19 | CH1U-8846 | 665 | 1-D 20 | CH113-8490 | 263 | 1-C 4 | CH123-4950 | 555 | 1-D 9 |
| CH033-6032 | 899 | 1-E 19 | CH1U-8846 | 667 | 1-D 20 | CH113-8490 | 265 | 1-C 4 | CH123-4950 | 557 | 1-D 9 |
| CH033-6032 | 901 | 1-E 20 | CH100-4036 | 553 | 1-D 9 | CH113-8490 | 267 | 1-C 4 | CH123-4950 | 1209 | 1-G 2 |
| CH033-6033 | 167 | 1-B 18 | CH100-4036 | 557 | 1-D 9 | CH113-8490 | 269 | 1-C 4 | CH123-5748 | 763 | 1-E 6 |
| CH033-6033 | 169 | 1-B 18 | CH100-4336 | 185 | 1-B 20 | CH113-8490 | 1217 | 1-G 3 | CH123-7556 | 753 | 1-E 5 |
| CH033-6043 | 915 | 1-E 21 | CH100-4336 | 189 | 1-B 20 | CH113-8491 | 261 | 1-C 4 | CH123-7582 | 851 | 1-E 15 |
| CH033-7291 | 537 | 1-D 7 | CH101-2850 | 149 | 1-B 16 | CH113-8491 | 263 | 1-C 4 | CH123-7583 | 753 | 1-E 5 |
| CH034-4202 | 171 | 1-B 19 | CH101-2867 | 1057 | 1-F 11 | CH113-8491 | 267 | 1-C 4 | CH124-3548 | 261 | 1-C 4 |
| CH061-9593 | 179 | 1-B 19 | CH101-3129 | 641 | 1-D 18 | CH113-8491 | 269 | 1-C 4 | CH124-3548 | 263 | 1-C 4 |
| CH077-3241 | 363 | 1-C 14 | CH102-8802 | 309 | 1-C 8 | CH113-8491 | 271 | 1-C 5 | CH124-3548 | 265 | 1-C 4 |
| CH077-5261 | 847 | 1-E 14 | CH102-8802 | 311 | 1-C 9 | CH113-8491 | 273 | 1-C 5 | CH124-3548 | 267 | 1-C 4 |
| CH090-9554 | 1051 | 1-F 11 | CH102-8802 | 345 | 1-C 12 | CH113-8491 | 1217 | 1-G 3 | CH124-3548 | 269 | 1-C 4 |
| CH090-9555 | 1141 | 1-F 20 | CH102-8802 | 349 | 1-C 12 | CH113-8492 | 261 | 1-C 4 | CH124-3548 | 1217 | 1-G 3 |
| CH095-0687 | 845 | 1-E 14 | CH102-8802 | 1021 | 1-F 8 | CH113-8492 | 263 | 1-C 4 | CH124-4653 | 317 | 1-C 9 |
| CH095-0736 | 313 | 1-C 9 | CH102-8803 | 349 | 1-C 12 | CH113-8492 | 265 | 1-C 4 | CH124-4653 | 319 | 1-C 9 |
| CH095-0741 | 593 | 1-D 13 | CH102-8803 | 359 | 1-C 13 | CH113-8492 | 271 | 1-C 5 | CH124-5572 | 97 | 1-B 11 |
| CH095-0741 | 1173 | 1-F 23 | CH102-8805 | 1069 | 1-F 12 | CH113-8492 | 273 | 1-C 5 | CH124-7346 | 1033 | 1-F 9 |
| CH095-0759 | 1115 | 1-F 17 | CH102-8805 | 1153 | 1-F 21 | CH113-8492 | 1217 | 1-G 3 | CH126-1645 | 851 | 1-E 15 |
| CH095-0845 | 977 | 1-F 3 | CH102-8805 | 1155 | 1-F 21 | CH113-8880 | 553 | 1-D 9 | CH126-1773 | 193 | 1-B 21 |
| CH095-0845 | 979 | 1-F 3 | CH102-8805 | 1157 | 1-F 21 | CH113-8880 | 557 | 1-D 9 | CH127-2170 | 161 | 1-B 18 |
| CH095-0915 | 161 | 1-B 18 | CH102-8806 | 297 | 1-C 7 | CH114-3469 | 1021 | 1-F 8 | CH127-2170 | 679 | 1-D 21 |
| CH095-0942 | 919 | 1-E 21 | CH102-8806 | 1153 | 1-F 21 | CH114-4231 | 139 | 1-B 15 | CH127-8609 | 221 | 1-B 24 |
| CH095-1316 | 729 | 1-E 2 | CH102-8806 | 1155 | 1-F 21 | CH114-4231 | 141 | 1-B 16 | CH127-9548 | 655 | 1-D 19 |
| CH095-1316 | 733 | 1-E 3 | CH103-6216 | 97 | 1-B 11 | CH114-5333 | 339 | 1-C 11 | CH127-9553 | 655 | 1-D 19 |
| CH095-1715 | 907 | 1-E 20 | CH103-8089 | 579 | 1-D 11 | CH114-5333 | 345 | 1-C 12 | CH127-9554 | 655 | 1-D 19 |
| CH095-1750 | 741 | 1-E 4 | CH104-2091 | 1025 | 1-F 8 | CH114-5785 | 1059 | 1-F 11 | CH128-2162 | 999 | 1-F 5 |
| CH095-9230 | 977 | 1-F 3 | CH104-2091 | 1053 | 1-F 11 | CH114-5785 | 1061 | 1-F 12 | CH128-4249 | 197 | 1-B 21 |
| CH096-2323 | 897 | 1-E 19 | CH104-3466 | 931 | 1-E 23 | CH114-5786 | 707 | 1-D 24 | CH128-4249 | 315 | 1-C 9 |
| CH096-5968 | 921 | 1-E 22 | CH105-1632 | 853 | 1-E 15 | CH114-5793 | 553 | 1-D 9 | CH129-3178 | 537 | 1-D 7 |
| CH096-6095 | 851 | 1-E 15 | CH105-1638 | 853 | 1-E 15 | CH114-5793 | 557 | 1-D 9 | CH129-3178 | 553 | 1-D 9 |
| CH096-6166 | 321 | 1-C 10 | CH105-1646 | 857 | 1-E 15 | CH116-5728 | 161 | 1-B 18 | CH129-3178 | 555 | 1-D 9 |
| CH096-6166 | 323 | 1-C 10 | CH105-1648 | 857 | 1-E 15 | CH116-7471 | 323 | 1-C 10 | CH129-3178 | 557 | 1-D 9 |
| CH096-6166 | 325 | 1-C 10 | CH105-1650 | 857 | 1-E 15 | CH116-7471 | 327 | 1-C 10 | CH129-3178 | 559 | 1-D 9 |
| CH096-6166 | 327 | 1-C 10 | CH105-1651 | 857 | 1-E 15 | CH117-0754 | 943 | 1-E 24 | CH129-3178 | 1035 | 1-F 9 |
| CH096-6166 | 1139 | 1-F 19 | CH105-1866 | 139 | 1-B 15 | CH117-2311 | 323 | 1-C 10 | CH129-3178 | 1139 | 1-F 19 |
| CH1A-8827 | 931 | 1-E 23 | CH105-1866 | 141 | 1-B 16 | CH117-2311 | 327 | 1-C 10 | CH129-6457 | 319 | 1-C 9 |
| CH1A-8827 | 933 | 1-E 23 | CH105-1866 | 155 | 1-B 17 | CH117-8801 | 845 | 1-E 14 | CH129-6457 | 321 | 1-C 10 |
| CH1B-0676 | 1033 | 1-F 9 | CH105-1866 | 157 | 1-B 17 | CH117-8929 | 1053 | 1-F 11 | CH129-6457 | 325 | 1-C 10 |
| CH1B-4202 | 721 | 1-E 2 | CH105-2145 | 915 | 1-E 21 | CH118-0772 | 579 | 1-D 11 | CH129-6457 | 327 | 1-C 10 |
| CH1F-5403 | 1033 | 1-F 9 | CH105-3031 | 853 | 1-E 15 | CH119-0942 | 765 | 1-E 6 | CH130-5742 | 1031 | 1-F 9 |
| CH1G-3174 | 759 | 1-E 5 | CH105-3032 | 853 | 1-E 15 | CH119-1329 | 977 | 1-F 3 | CH131-3093 | 999 | 1-F 5 |
| CH1H-8289 | 579 | 1-D 11 | CH105-3033 | 853 | 1-E 15 | CH119-5026 | 233 | 1-C 1 | CH131-3540 | 553 | 1-D 9 |
| CH1J-2860 | 655 | 1-D 19 | CH105-8034 | 323 | 1-C 10 | CH119-5026 | 317 | 1-C 9 | CH131-3540 | 555 | 1-D 9 |
| CH1J-4757 | 655 | 1-D 19 | CH105-8034 | 327 | 1-C 10 | CH119-5026 | 337 | 1-C 11 | CH131-3540 | 557 | 1-D 9 |
| CH1J-6474 | 943 | 1-E 24 | CH106-2105 | 823 | 1-E 12 | CH119-5026 | 1025 | 1-F 8 | CH131-3540 | 997 | 1-F 5 |
| CH1J-9671 | 631 | 1-D 17 | CH107-5591 | 999 | 1-F 5 | CH119-5026 | 1057 | 1-F 11 | CH131-3540 | 999 | 1-F 5 |
| CH1J-9671 | 633 | 1-D 17 | CH108-5985 | 631 | 1-D 17 | CH119-5026 | 1133 | 1-F 19 | CH131-3540 | 1053 | 1-F 11 |
| CH1J-9671 | 635 | 1-D 17 | CH108-5985 | 633 | 1-D 17 | CH119-6110 | 763 | 1-E 6 | CH131-8627 | 217 | 1-B 23 |
| CH1J-9671 | 637 | 1-D 17 | CH108-5985 | 635 | 1-D 17 | CH119-7845 | 753 | 1-E 5 | CH132-5789 | 123 | 1-B 14 |
| CH1J-9671 | 667 | 1-D 20 | CH108-5985 | 637 | 1-D 17 | CH119-9708 | 631 | 1-D 17 | CH132-5789 | 189 | 1-B 20 |
| CH1K-6872 | 575 | 1-D 11 | CH108-6075 | 655 | 1-D 19 | CH119-9708 | 633 | 1-D 17 | CH132-5789 | 339 | 1-C 11 |
| CH1N-5970 | 639 | 1-D 17 | CH108-7251 | 969 | 1-F 2 | CH119-9708 | 635 | 1-D 17 | CH132-5789 | 345 | 1-C 12 |
| CH1P-4278 | 139 | 1-B 15 | CH109-2356 | 983 | 1-F 4 | CH119-9708 | 637 | 1-D 17 | CH132-5789 | 349 | 1-C 12 |
| CH1P-4278 | 141 | 1-B 16 | CH109-9685 | 903 | 1-E 20 | CH120-4897 | 193 | 1-B 21 | CH133-6517 | 217 | 1-B 23 |

MT800B SERIES TRACTORS

13 INDEX

| Part No. | Page | Grid | Part No. | Page | Grid | Part No. | Page | Grid | Part No. | Page | Grid |
|------------|------|--------|------------|------|--------|------------|------|--------|------------|------|--------|
| CH133-6517 | 219 | 1-B 23 | CH146-7453 | 167 | 1-B 18 | CH148-8419 | 731 | 1-E 3 | CH162-0177 | 913 | 1-E 21 |
| CH133-6517 | 221 | 1-B 24 | CH146-7453 | 169 | 1-B 18 | CH148-8419 | 735 | 1-E 3 | CH162-0177 | 915 | 1-E 21 |
| CH134-1935 | 1155 | 1-F 21 | CH146-9439 | 231 | 1-C 1 | CH148-8428 | 971 | 1-F 3 | CH162-6555 | 1045 | 1-F 10 |
| CH134-1935 | 1217 | 1-G 3 | CH146-9439 | 233 | 1-C 1 | CH148-8428 | 973 | 1-F 3 | CH162-6660 | 1025 | 1-F 8 |
| CH134-3987 | 343 | 1-C 12 | CH146-9439 | 247 | 1-C 2 | CH148-8433 | 717 | 1-E 1 | CH162-8550 | 1137 | 1-F 19 |
| CH134-3987 | 349 | 1-C 12 | CH146-9439 | 261 | 1-C 4 | CH148-8436 | 725 | 1-E 2 | CH162-9592 | 839 | 1-E 13 |
| CH134-3988 | 185 | 1-B 20 | CH146-9439 | 263 | 1-C 4 | CH148-8439 | 815 | 1-E 11 | CH162-9592 | 851 | 1-E 15 |
| CH134-3988 | 189 | 1-B 20 | CH146-9439 | 265 | 1-C 4 | CH148-8444 | 717 | 1-E 1 | CH162-9601 | 755 | 1-E 5 |
| CH134-3988 | 341 | 1-C 12 | CH146-9439 | 267 | 1-C 4 | CH148-8444 | 725 | 1-E 2 | CH162-9601 | 759 | 1-E 5 |
| CH134-3988 | 347 | 1-C 12 | CH146-9439 | 269 | 1-C 4 | CH148-8444 | 825 | 1-E 12 | CH162-9602 | 757 | 1-E 5 |
| CH134-3988 | 349 | 1-C 12 | CH146-9439 | 271 | 1-C 5 | CH148-8446 | 971 | 1-F 3 | CH162-9602 | 761 | 1-E 6 |
| CH134-4126 | 193 | 1-B 21 | CH146-9439 | 273 | 1-C 5 | CH149-0231 | 817 | 1-E 11 | CH162-9799 | 897 | 1-E 19 |
| CH134-4126 | 211 | 1-B 23 | CH146-9439 | 317 | 1-C 9 | CH149-2758 | 255 | 1-C 3 | CH162-9821 | 897 | 1-E 19 |
| CH134-4126 | 349 | 1-C 12 | CH146-9439 | 337 | 1-C 11 | CH149-6371 | 339 | 1-C 11 | CH163-0397 | 79 | 1-B 9 |
| CH134-7489 | 753 | 1-E 5 | CH146-9439 | 353 | 1-C 13 | CH149-6371 | 345 | 1-C 12 | CH163-0397 | 363 | 1-C 14 |
| CH135-6261 | 151 | 1-B 17 | CH146-9439 | 1069 | 1-F 12 | CH150-3037 | 971 | 1-F 3 | CH163-0421 | 223 | 1-B 24 |
| CH135-6261 | 153 | 1-B 17 | CH146-9439 | 1155 | 1-F 21 | CH150-3065 | 767 | 1-E 6 | CH163-2657 | 319 | 1-C 9 |
| CH135-8854 | 753 | 1-E 5 | CH147-7143 | 949 | 1-E 24 | CH150-3065 | 769 | 1-E 6 | CH163-2657 | 327 | 1-C 10 |
| CH135-8854 | 851 | 1-E 15 | CH148-7017 | 239 | 1-C 1 | CH150-3065 | 783 | 1-E 8 | CH163-6018 | 709 | 1-D 24 |
| CH135-9967 | 297 | 1-C 7 | CH148-8305 | 631 | 1-D 17 | CH150-8766 | 945 | 1-E 24 | CH164-0909 | 631 | 1-D 17 |
| CH135-9967 | 1155 | 1-F 21 | CH148-8305 | 633 | 1-D 17 | CH151-6030 | 689 | 1-D 22 | CH164-0909 | 633 | 1-D 17 |
| CH136-5252 | 229 | 1-B 24 | CH148-8305 | 635 | 1-D 17 | CH151-9989 | 1149 | 1-F 20 | CH164-0909 | 635 | 1-D 17 |
| CH136-5252 | 231 | 1-C 1 | CH148-8305 | 637 | 1-D 17 | CH151-9989 | 1151 | 1-F 21 | CH164-0909 | 637 | 1-D 17 |
| CH136-5254 | 247 | 1-C 2 | CH148-8305 | 805 | 1-E 10 | CH152-4241 | 965 | 1-F 2 | CH164-4180 | 151 | 1-B 17 |
| CH136-5268 | 317 | 1-C 9 | CH148-8313 | 823 | 1-E 12 | CH152-4241 | 967 | 1-F 2 | CH164-4180 | 153 | 1-B 17 |
| CH136-5268 | 337 | 1-C 11 | CH148-8326 | 717 | 1-E 1 | CH153-4058 | 767 | 1-E 6 | CH164-5557 | 973 | 1-F 3 |
| CH136-5414 | 1133 | 1-F 19 | CH148-8327 | 805 | 1-E 10 | CH153-4061 | 767 | 1-E 6 | CH164-7057 | 1051 | 1-F 11 |
| CH136-5415 | 1133 | 1-F 19 | CH148-8327 | 815 | 1-E 11 | CH153-4061 | 769 | 1-E 6 | CH164-7070 | 1051 | 1-F 11 |
| CH136-5434 | 1135 | 1-F 19 | CH148-8334 | 805 | 1-E 10 | CH153-6225 | 767 | 1-E 6 | CH164-7491 | 945 | 1-E 24 |
| CH136-5490 | 1073 | 1-F 13 | CH148-8334 | 809 | 1-E 10 | CH153-6225 | 769 | 1-E 6 | CH164-8478 | 1053 | 1-F 11 |
| CH136-5490 | 1075 | 1-F 13 | CH148-8334 | 811 | 1-E 11 | CH153-6227 | 769 | 1-E 6 | CH164-9869 | 717 | 1-E 1 |
| CH136-5490 | 1077 | 1-F 13 | CH148-8334 | 815 | 1-E 11 | CH153-6228 | 769 | 1-E 6 | CH165-5694 | 783 | 1-E 8 |
| CH136-5511 | 319 | 1-C 9 | CH148-8335 | 809 | 1-E 10 | CH154-2881 | 221 | 1-B 24 | CH165-5975 | 291 | 1-C 7 |
| CH136-5511 | 325 | 1-C 10 | CH148-8335 | 811 | 1-E 11 | CH154-5428 | 311 | 1-C 9 | CH165-5975 | 319 | 1-C 9 |
| CH136-8423 | 845 | 1-E 14 | CH148-8340 | 717 | 1-E 1 | CH154-9989 | 1141 | 1-F 20 | CH165-5975 | 323 | 1-C 10 |
| CH136-8423 | 853 | 1-E 15 | CH148-8340 | 725 | 1-E 2 | CH155-2255 | 1049 | 1-F 10 | CH165-5975 | 327 | 1-C 10 |
| CH137-3780 | 851 | 1-E 15 | CH148-8340 | 969 | 1-F 2 | CH155-2258 | 1049 | 1-F 10 | CH165-5975 | 1023 | 1-F 8 |
| CH137-9775 | 511 | 1-D 5 | CH148-8342 | 969 | 1-F 2 | CH155-3504 | 975 | 1-F 3 | CH165-6969 | 763 | 1-E 6 |
| CH137-9775 | 513 | 1-D 5 | CH148-8342 | 975 | 1-F 3 | CH156-0283 | 229 | 1-B 24 | CH166-3611 | 1025 | 1-F 8 |
| CH137-9775 | 517 | 1-D 5 | CH148-8346 | 969 | 1-F 2 | CH156-0283 | 231 | 1-C 1 | CH166-3611 | 1137 | 1-F 19 |
| CH139-6911 | 193 | 1-B 21 | CH148-8347 | 791 | 1-E 9 | CH156-0283 | 233 | 1-C 1 | CH166-4573 | 1051 | 1-F 11 |
| CH139-6911 | 211 | 1-B 23 | CH148-8347 | 793 | 1-E 9 | CH156-0283 | 705 | 1-D 24 | CH166-4574 | 1051 | 1-F 11 |
| CH140-1739 | 853 | 1-E 15 | CH148-8347 | 815 | 1-E 11 | CH156-0283 | 707 | 1-D 24 | CH166-4596 | 1155 | 1-F 21 |
| CH140-5181 | 1051 | 1-F 11 | CH148-8347 | 827 | 1-E 12 | CH156-4897 | 655 | 1-D 19 | CH166-4615 | 1005 | 1-F 6 |
| CH141-0243 | 859 | 1-E 15 | CH148-8353 | 815 | 1-E 11 | CH156-4900 | 655 | 1-D 19 | CH167-2195 | 939 | 1-E 23 |
| CH141-1762 | 1153 | 1-F 21 | CH148-8355 | 815 | 1-E 11 | CH156-6175 | 311 | 1-C 9 | CH167-2201 | 787 | 1-E 8 |
| CH141-1762 | 1155 | 1-F 21 | CH148-8355 | 819 | 1-E 11 | CH157-0217 | 1031 | 1-F 9 | CH167-2209 | 631 | 1-D 17 |
| CH141-2759 | 261 | 1-C 4 | CH148-8355 | 821 | 1-E 12 | CH157-0449 | 1023 | 1-F 8 | CH167-2209 | 633 | 1-D 17 |
| CH141-2759 | 269 | 1-C 4 | CH148-8356 | 805 | 1-E 10 | CH159-5890 | 769 | 1-E 6 | CH167-2209 | 635 | 1-D 17 |
| CH141-2759 | 271 | 1-C 5 | CH148-8360 | 827 | 1-E 12 | CH159-5893 | 767 | 1-E 6 | CH167-2209 | 637 | 1-D 17 |
| CH141-2759 | 273 | 1-C 5 | CH148-8364 | 717 | 1-E 1 | CH159-5893 | 769 | 1-E 6 | CH167-2312 | 787 | 1-E 8 |
| CH141-2759 | 1217 | 1-G 3 | CH148-8364 | 725 | 1-E 2 | CH159-5897 | 767 | 1-E 6 | CH167-2320 | 631 | 1-D 17 |
| CH142-2304 | 705 | 1-D 24 | CH148-8364 | 819 | 1-E 11 | CH159-5897 | 769 | 1-E 6 | CH167-2320 | 633 | 1-D 17 |
| CH142-2304 | 707 | 1-D 24 | CH148-8364 | 821 | 1-E 12 | CH159-5898 | 767 | 1-E 6 | CH167-2320 | 635 | 1-D 17 |
| CH142-2304 | 1051 | 1-F 11 | CH148-8364 | 827 | 1-E 12 | CH159-5898 | 973 | 1-F 3 | CH167-2320 | 637 | 1-D 17 |
| CH142-2304 | 1149 | 1-F 20 | CH148-8364 | 969 | 1-F 2 | CH160-3957 | 655 | 1-D 19 | CH167-2457 | 939 | 1-E 23 |
| CH142-2304 | 1151 | 1-F 21 | CH148-8364 | 973 | 1-F 3 | CH160-5223 | 655 | 1-D 19 | CH168-2197 | 845 | 1-E 14 |
| CH142-9681 | 1073 | 1-F 13 | CH148-8367 | 709 | 1-D 24 | CH160-8756 | 1149 | 1-F 20 | CH168-2198 | 845 | 1-E 14 |
| CH142-9681 | 1075 | 1-F 13 | CH148-8370 | 725 | 1-E 2 | CH160-8756 | 1151 | 1-F 21 | CH168-2203 | 845 | 1-E 14 |
| CH142-9681 | 1077 | 1-F 13 | CH148-8372 | 725 | 1-E 2 | CH161-6149 | 753 | 1-E 5 | CH168-2309 | 1149 | 1-F 20 |
| CH144-2179 | 567 | 1-D 10 | CH148-8372 | 827 | 1-E 12 | CH161-6149 | 919 | 1-E 21 | CH168-2309 | 1151 | 1-F 21 |
| CH144-9093 | 919 | 1-E 21 | CH148-8372 | 973 | 1-F 3 | CH161-6154 | 741 | 1-E 4 | CH168-2333 | 1023 | 1-F 8 |
| CH144-9094 | 919 | 1-E 21 | CH148-8374 | 709 | 1-D 24 | CH161-9932 | 343 | 1-C 12 | CH168-3378 | 855 | 1-E 15 |
| CH144-9097 | 919 | 1-E 21 | CH148-8374 | 807 | 1-E 10 | CH161-9932 | 349 | 1-C 12 | CH168-3379 | 855 | 1-E 15 |
| CH144-9098 | 919 | 1-E 21 | CH148-8374 | 825 | 1-E 12 | CH161-9932 | 359 | 1-C 13 | CH168-3380 | 855 | 1-E 15 |
| CH144-9101 | 753 | 1-E 5 | CH148-8378 | 709 | 1-D 24 | CH162-0177 | 165 | 1-B 18 | CH168-3381 | 855 | 1-E 15 |
| CH144-9103 | 753 | 1-E 5 | CH148-8378 | 717 | 1-E 1 | CH162-0177 | 723 | 1-E 2 | CH168-3382 | 855 | 1-E 15 |
| CH145-0846 | 323 | 1-C 10 | CH148-8378 | 815 | 1-E 11 | CH162-0177 | 851 | 1-E 15 | CH168-3384 | 855 | 1-E 15 |
| CH145-0846 | 327 | 1-C 10 | CH148-8383 | 717 | 1-E 1 | CH162-0177 | 881 | 1-E 18 | CH168-3385 | 855 | 1-E 15 |
| CH145-0847 | 323 | 1-C 10 | CH148-8388 | 809 | 1-E 10 | CH162-0177 | 883 | 1-E 18 | CH168-3504 | 845 | 1-E 14 |
| CH145-0847 | 327 | 1-C 10 | CH148-8388 | 811 | 1-E 11 | CH162-0177 | 885 | 1-E 18 | CH168-3504 | 845 | 1-E 14 |
| CH145-9545 | 537 | 1-D 7 | CH148-8393 | 971 | 1-F 3 | CH162-0177 | 895 | 1-E 19 | CH168-3504 | 845 | 1-E 14 |
| CH146-0835 | 97 | 1-B 11 | CH148-8395 | 883 | 1-E 18 | CH162-0177 | 905 | 1-E 20 | CH168-3504 | 845 | 1-E 14 |
| CH146-4350 | 897 | 1-E 19 | CH148-8395 | 885 | 1-E 18 | CH162-0177 | 909 | 1-E 20 | CH168-7317 | 845 | 1-E 14 |
| CH146-4351 | 897 | 1-E 19 | CH148-8395 | 901 | 1-E 20 | CH162-0177 | 911 | 1-E 21 | CH168-7319 | 845 | 1-E 14 |
| | | | | | | | | | CH168-7863 | 845 | 1-E 14 |

INDEX

| Part No. | Page | Grid | Part No. | Page | Grid | Part No. | Page | Grid | Part No. | Page | Grid |
|------------|------|--------|------------|------|--------|------------|------|--------|------------|------|--------|
| CH168-8389 | 1175 | 1-F 23 | CH174-9215 | 969 | 1-F 2 | CH183-8430 | 765 | 1-E 6 | CH186-1069 | 979 | 1-F 3 |
| CH168-8389 | 1195 | 1-G 1 | CH174-9994 | 845 | 1-E 14 | CH183-8430 | 851 | 1-E 15 | CH186-1081 | 977 | 1-F 3 |
| CH168-8389 | 1201 | 1-G 2 | CH175-1323 | 235 | 1-C 1 | CH183-8431 | 765 | 1-E 6 | CH186-1094 | 977 | 1-F 3 |
| CH169-4273 | 727 | 1-E 2 | CH175-1323 | 237 | 1-C 1 | CH183-8442 | 765 | 1-E 6 | CH186-1096 | 977 | 1-F 3 |
| CH169-6324 | 1073 | 1-F 13 | CH175-1323 | 1217 | 1-G 3 | CH183-8443 | 765 | 1-E 6 | CH186-1682 | 1025 | 1-F 8 |
| CH169-6325 | 1075 | 1-F 13 | CH175-2851 | 631 | 1-D 17 | CH183-8444 | 765 | 1-E 6 | CH186-3735 | 1153 | 1-F 21 |
| CH169-6326 | 1077 | 1-F 13 | CH175-2851 | 633 | 1-D 17 | CH183-8446 | 859 | 1-E 15 | CH186-3735 | 1155 | 1-F 21 |
| CH169-6352 | 1139 | 1-F 19 | CH175-2851 | 635 | 1-D 17 | CH183-8447 | 859 | 1-E 15 | CH186-4955 | 787 | 1-E 8 |
| CH169-6377 | 1149 | 1-F 20 | CH175-2851 | 637 | 1-D 17 | CH183-8449 | 859 | 1-E 15 | CH186-5137 | 787 | 1-E 8 |
| CH169-6377 | 1151 | 1-F 21 | CH175-3135 | 897 | 1-E 19 | CH183-8450 | 859 | 1-E 15 | CH186-5862 | 179 | 1-B 19 |
| CH169-6392 | 1051 | 1-F 11 | CH175-3135 | 899 | 1-E 19 | CH183-8451 | 859 | 1-E 15 | CH187-4902 | 1017 | 1-F 7 |
| CH169-6397 | 1143 | 1-F 20 | CH175-3135 | 901 | 1-E 20 | CH183-8452 | 859 | 1-E 15 | CH187-4902 | 1019 | 1-F 7 |
| CH169-6397 | 1145 | 1-F 20 | CH175-3244 | 341 | 1-C 12 | CH183-8453 | 859 | 1-E 15 | CH187-4917 | 1035 | 1-F 9 |
| CH170-0964 | 767 | 1-E 6 | CH175-3244 | 349 | 1-C 12 | CH183-8454 | 851 | 1-E 15 | CH187-4930 | 985 | 1-F 4 |
| CH170-0964 | 769 | 1-E 6 | CH175-4966 | 363 | 1-C 14 | CH184-2472 | 349 | 1-C 12 | CH187-6297 | 729 | 1-E 2 |
| CH170-0964 | 783 | 1-E 8 | CH175-5327 | 739 | 1-E 3 | CH184-5034 | 925 | 1-E 22 | CH187-6297 | 733 | 1-E 3 |
| CH170-1198 | 319 | 1-C 9 | CH175-7057 | 325 | 1-C 10 | CH184-5034 | 927 | 1-E 22 | CH187-6297 | 739 | 1-E 3 |
| CH170-1445 | 1149 | 1-F 20 | CH175-7514 | 639 | 1-D 17 | CH184-5034 | 935 | 1-E 23 | CH187-6486 | 729 | 1-E 2 |
| CH170-1445 | 1151 | 1-F 21 | CH175-7900 | 939 | 1-E 23 | CH184-5339 | 721 | 1-E 2 | CH187-6486 | 733 | 1-E 3 |
| CH170-2237 | 233 | 1-C 1 | CH176-4546 | 207 | 1-B 22 | CH184-8029 | 91 | 1-B 11 | CH187-6486 | 739 | 1-E 3 |
| CH170-2237 | 261 | 1-C 4 | CH177-0378 | 161 | 1-B 18 | CH184-8029 | 95 | 1-B 11 | CH187-9018 | 799 | 1-E 9 |
| CH170-2237 | 263 | 1-C 4 | CH177-1872 | 671 | 1-D 21 | CH185-0295 | 845 | 1-E 14 | CH187-9018 | 801 | 1-E 10 |
| CH170-2237 | 265 | 1-C 4 | CH177-3405 | 943 | 1-E 24 | CH185-0296 | 845 | 1-E 14 | CH187-9630 | 897 | 1-E 19 |
| CH170-2237 | 267 | 1-C 4 | CH177-3405 | 945 | 1-E 24 | CH185-3886 | 1137 | 1-F 19 | CH188-3640 | 891 | 1-E 19 |
| CH170-2320 | 989 | 1-F 4 | CH178-3333 | 883 | 1-E 18 | CH185-3959 | 807 | 1-E 10 | CH188-3640 | 893 | 1-E 19 |
| CH170-5282 | 91 | 1-B 11 | CH178-3888 | 1153 | 1-F 21 | CH185-3959 | 825 | 1-E 12 | CH188-7789 | 907 | 1-E 20 |
| CH170-5696 | 1153 | 1-F 21 | CH178-4164 | 753 | 1-E 5 | CH185-7141 | 299 | 1-C 7 | CH188-9637 | 857 | 1-E 15 |
| CH170-5696 | 1155 | 1-F 21 | CH178-4171 | 753 | 1-E 5 | CH185-9753 | 729 | 1-E 2 | CH188-9644 | 239 | 1-C 1 |
| CH170-7251 | 1075 | 1-F 13 | CH178-7955 | 1151 | 1-F 21 | CH185-9753 | 733 | 1-E 3 | CH188-9644 | 241 | 1-C 2 |
| CH170-7251 | 1077 | 1-F 13 | CH178-7962 | 1023 | 1-F 8 | CH185-9753 | 739 | 1-E 3 | CH189-3284 | 979 | 1-F 3 |
| CH170-7251 | 1079 | 1-F 13 | CH178-7963 | 1023 | 1-F 8 | CH185-9753 | 799 | 1-E 9 | CH189-4882 | 939 | 1-E 23 |
| CH171-1105 | 729 | 1-E 2 | CH178-7965 | 1025 | 1-F 8 | CH185-9753 | 801 | 1-E 10 | CH189-4888 | 939 | 1-E 23 |
| CH171-1105 | 733 | 1-E 3 | CH178-9570 | 107 | 1-B 12 | CH185-9759 | 729 | 1-E 2 | CH189-4906 | 939 | 1-E 23 |
| CH171-1106 | 729 | 1-E 2 | CH178-9570 | 1021 | 1-F 8 | CH185-9759 | 733 | 1-E 3 | CH189-4907 | 939 | 1-E 23 |
| CH171-1106 | 733 | 1-E 3 | CH179-2959 | 1141 | 1-F 20 | CH185-9762 | 729 | 1-E 2 | CH189-4911 | 935 | 1-E 23 |
| CH171-1107 | 729 | 1-E 2 | CH179-3160 | 1083 | 1-F 14 | CH185-9762 | 733 | 1-E 3 | CH189-4911 | 939 | 1-E 23 |
| CH171-1107 | 733 | 1-E 3 | CH179-3160 | 1085 | 1-F 14 | CH185-9762 | 739 | 1-E 3 | CH189-6001 | 937 | 1-E 23 |
| CH171-3054 | 763 | 1-E 6 | CH179-4206 | 1041 | 1-F 10 | CH185-9763 | 799 | 1-E 9 | CH189-6001 | 941 | 1-E 24 |
| CH171-3055 | 763 | 1-E 6 | CH179-4209 | 1157 | 1-F 21 | CH185-9768 | 729 | 1-E 2 | CH189-6397 | 939 | 1-E 23 |
| CH171-3057 | 763 | 1-E 6 | CH179-4217 | 1151 | 1-F 21 | CH185-9768 | 733 | 1-E 3 | CH189-8610 | 1157 | 1-F 21 |
| CH171-3058 | 763 | 1-E 6 | CH179-4265 | 275 | 1-C 5 | CH185-9768 | 737 | 1-E 3 | CH189-8610 | 1217 | 1-G 3 |
| CH171-3059 | 763 | 1-E 6 | CH179-4324 | 163 | 1-B 18 | CH185-9772 | 729 | 1-E 2 | CH190-0430 | 729 | 1-E 2 |
| CH171-3060 | 763 | 1-E 6 | CH179-4324 | 323 | 1-C 10 | CH185-9772 | 733 | 1-E 3 | CH190-0430 | 733 | 1-E 3 |
| CH171-3061 | 763 | 1-E 6 | CH179-4324 | 325 | 1-C 10 | CH185-9773 | 729 | 1-E 2 | CH190-0431 | 739 | 1-E 3 |
| CH171-4047 | 1053 | 1-F 11 | CH179-4324 | 1035 | 1-F 9 | CH185-9773 | 733 | 1-E 3 | CH190-2584 | 931 | 1-E 23 |
| CH171-5989 | 763 | 1-E 6 | CH179-6898 | 707 | 1-D 24 | CH185-9773 | 739 | 1-E 3 | CH190-2584 | 933 | 1-E 23 |
| CH171-6723 | 971 | 1-F 3 | CH179-8665 | 823 | 1-E 12 | CH185-9773 | 799 | 1-E 9 | CH190-2611 | 981 | 1-F 4 |
| CH172-2241 | 109 | 1-B 12 | CH180-0613 | 263 | 1-C 4 | CH185-9773 | 801 | 1-E 10 | CH190-2612 | 981 | 1-F 4 |
| CH172-3403 | 109 | 1-B 12 | CH180-0613 | 265 | 1-C 4 | CH186-0341 | 897 | 1-E 19 | CH190-2615 | 933 | 1-E 23 |
| CH172-3511 | 207 | 1-B 22 | CH180-0613 | 267 | 1-C 4 | CH186-0347 | 897 | 1-E 19 | CH190-2623 | 785 | 1-E 8 |
| CH172-4620 | 783 | 1-E 8 | CH180-1120 | 715 | 1-E 1 | CH186-0348 | 897 | 1-E 19 | CH190-2634 | 965 | 1-F 2 |
| CH172-4621 | 767 | 1-E 6 | CH180-6213 | 845 | 1-E 14 | CH186-0364 | 897 | 1-E 19 | CH190-2634 | 967 | 1-F 2 |
| CH172-4621 | 783 | 1-E 8 | CH180-7317 | 277 | 1-C 5 | CH186-0365 | 897 | 1-E 19 | CH190-3120 | 853 | 1-E 15 |
| CH172-4622 | 783 | 1-E 8 | CH180-9339 | 359 | 1-C 13 | CH186-0367 | 897 | 1-E 19 | CH190-3391 | 665 | 1-D 20 |
| CH172-5761 | 725 | 1-E 2 | CH183-3724 | 769 | 1-E 6 | CH186-0368 | 897 | 1-E 19 | CH190-3391 | 667 | 1-D 20 |
| CH172-6847 | 1079 | 1-F 13 | CH183-3725 | 767 | 1-E 6 | CH186-0368 | 899 | 1-E 19 | CH190-3576 | 659 | 1-D 19 |
| CH172-6862 | 1149 | 1-F 20 | CH183-4236 | 729 | 1-E 2 | CH186-0368 | 901 | 1-E 20 | CH190-6507 | 845 | 1-E 14 |
| CH172-6862 | 1151 | 1-F 21 | CH183-4236 | 733 | 1-E 3 | CH186-0369 | 897 | 1-E 19 | CH190-6508 | 855 | 1-E 15 |
| CH172-9287 | 725 | 1-E 2 | CH183-4584 | 343 | 1-C 12 | CH186-0369 | 899 | 1-E 19 | CH190-6516 | 853 | 1-E 15 |
| CH173-0566 | 363 | 1-C 14 | CH183-4584 | 347 | 1-C 12 | CH186-0369 | 901 | 1-E 20 | CH190-6518 | 853 | 1-E 15 |
| CH173-3175 | 273 | 1-C 5 | CH183-5008 | 931 | 1-E 23 | CH186-0370 | 897 | 1-E 19 | CH190-6519 | 853 | 1-E 15 |
| CH173-7126 | 165 | 1-B 18 | CH183-5008 | 933 | 1-E 23 | CH186-0370 | 899 | 1-E 19 | CH190-6520 | 853 | 1-E 15 |
| CH173-7223 | 343 | 1-C 12 | CH183-8417 | 765 | 1-E 6 | CH186-0371 | 897 | 1-E 19 | CH190-6523 | 853 | 1-E 15 |
| CH173-7223 | 349 | 1-C 12 | CH183-8417 | 919 | 1-E 21 | CH186-0371 | 899 | 1-E 19 | CH190-6528 | 857 | 1-E 15 |
| CH173-7639 | 783 | 1-E 8 | CH183-8418 | 919 | 1-E 21 | CH186-0371 | 901 | 1-E 20 | CH191-1780 | 1025 | 1-F 8 |
| CH173-9683 | 939 | 1-E 23 | CH183-8419 | 919 | 1-E 21 | CH186-0372 | 901 | 1-E 20 | CH191-2276 | 323 | 1-C 10 |
| CH174-4874 | 665 | 1-D 20 | CH183-8420 | 919 | 1-E 21 | CH186-0375 | 897 | 1-E 19 | CH191-2276 | 325 | 1-C 10 |
| CH174-4874 | 667 | 1-D 20 | CH183-8421 | 919 | 1-E 21 | CH186-0376 | 897 | 1-E 19 | CH191-3701 | 1137 | 1-F 19 |
| CH174-5747 | 163 | 1-B 18 | CH183-8423 | 919 | 1-E 21 | CH186-0996 | 943 | 1-E 24 | CH191-6944 | 783 | 1-E 8 |
| CH174-5747 | 1035 | 1-F 9 | CH183-8424 | 919 | 1-E 21 | CH186-0996 | 945 | 1-E 24 | CH191-8010 | 1209 | 1-G 2 |
| CH174-5789 | 1139 | 1-F 19 | CH183-8425 | 919 | 1-E 21 | CH186-0997 | 943 | 1-E 24 | CH191-9311 | 799 | 1-E 9 |
| CH174-5810 | 969 | 1-F 2 | CH183-8426 | 919 | 1-E 21 | CH186-0997 | 945 | 1-E 24 | CH191-9311 | 801 | 1-E 10 |
| CH174-6381 | 1083 | 1-F 14 | CH183-8427 | 919 | 1-E 21 | CH186-0998 | 943 | 1-E 24 | CH192-4765 | 999 | 1-F 5 |
| CH174-6381 | 1085 | 1-F 14 | CH183-8428 | 919 | 1-E 21 | CH186-1000 | 937 | 1-E 23 | CH192-4767 | 1033 | 1-F 9 |
| CH174-9061 | 337 | 1-C 11 | CH183-8429 | 919 | 1-E 21 | CH186-1069 | 977 | 1-F 3 | CH192-5173 | 567 | 1-D 10 |

MT800B SERIES TRACTORS

15 INDEX

| Part No. | Page | Grid | Part No. | Page | Grid | Part No. | Page | Grid | Part No. | Page | Grid |
|------------|------|--------|------------|------|--------|------------|------|--------|------------|------|--------|
| CH192-6280 | 785 | 1-E 8 | CH196-7341 | 247 | 1-C 2 | CH202-8633 | 655 | 1-D 19 | CH209-6417 | 299 | 1-C 7 |
| CH192-6280 | 953 | 1-F 1 | CH196-9321 | 1209 | 1-G 2 | CH202-9222 | 511 | 1-D 5 | CH209-7451 | 895 | 1-E 19 |
| CH192-6280 | 955 | 1-F 1 | CH196-9444 | 921 | 1-E 22 | CH202-9222 | 513 | 1-D 5 | CH209-7452 | 895 | 1-E 19 |
| CH192-6280 | 957 | 1-F 1 | CH197-4832 | 969 | 1-F 2 | CH202-9222 | 515 | 1-D 5 | CH209-7496 | 887 | 1-E 18 |
| CH192-6280 | 959 | 1-F 1 | CH197-5854 | 1139 | 1-F 19 | CH202-9222 | 517 | 1-D 5 | CH209-7498 | 781 | 1-E 8 |
| CH192-6280 | 961 | 1-F 2 | CH197-5910 | 717 | 1-E 1 | CH202-9222 | 519 | 1-D 5 | CH209-8296 | 897 | 1-E 19 |
| CH192-6280 | 963 | 1-F 2 | CH198-1544 | 923 | 1-E 22 | CH202-9701 | 655 | 1-D 19 | CH209-9078 | 849 | 1-E 14 |
| CH192-6389 | 717 | 1-E 1 | CH198-1963 | 735 | 1-E 3 | CH203-0343 | 763 | 1-E 6 | CH209-9079 | 849 | 1-E 14 |
| CH192-7054 | 1073 | 1-F 13 | CH198-8789 | 785 | 1-E 8 | CH203-3169 | 763 | 1-E 6 | CH209-9233 | 1067 | 1-F 12 |
| CH192-7054 | 1075 | 1-F 13 | CH198-8789 | 787 | 1-E 8 | CH203-6970 | 1053 | 1-F 11 | CH209-9680 | 897 | 1-E 19 |
| CH192-7054 | 1077 | 1-F 13 | CH199-7718 | 969 | 1-F 2 | CH203-8550 | 749 | 1-E 4 | CH209-9921 | 907 | 1-E 20 |
| CH192-7111 | 895 | 1-E 19 | CH2A-1314 | 827 | 1-E 12 | CH204-5041 | 127 | 1-B 14 | CH209-9927 | 907 | 1-E 20 |
| CH192-8841 | 827 | 1-E 12 | CH2A-1314 | 947 | 1-E 24 | CH204-5041 | 129 | 1-B 14 | CH209-9947 | 907 | 1-E 20 |
| CH193-1036 | 915 | 1-E 21 | CH2A-3211 | 1023 | 1-F 8 | CH204-7458 | 343 | 1-C 12 | CH209-9955 | 907 | 1-E 20 |
| CH193-5914 | 579 | 1-D 11 | CH2A-3211 | 1209 | 1-G 2 | CH204-7458 | 349 | 1-C 12 | CH209-9957 | 907 | 1-E 20 |
| CH193-5914 | 641 | 1-D 18 | CH2B-0858 | 167 | 1-B 18 | CH205-3692 | 807 | 1-E 10 | CH209-9961 | 907 | 1-E 20 |
| CH193-5914 | 709 | 1-D 24 | CH2B-0858 | 169 | 1-B 18 | CH205-3692 | 825 | 1-E 12 | CH209-9962 | 907 | 1-E 20 |
| CH193-5914 | 829 | 1-E 12 | CH2B-0858 | 179 | 1-B 19 | CH205-6395 | 851 | 1-E 15 | CH210-0159 | 809 | 1-E 10 |
| CH193-5914 | 945 | 1-E 24 | CH2B-2404 | 727 | 1-E 2 | CH205-6397 | 753 | 1-E 5 | CH210-0159 | 811 | 1-E 11 |
| CH193-5914 | 971 | 1-F 3 | CH2D-9454 | 655 | 1-D 19 | CH206-0325 | 167 | 1-B 18 | CH210-0179 | 849 | 1-E 14 |
| CH193-5914 | 1139 | 1-F 19 | CH2D-9455 | 655 | 1-D 19 | CH206-0325 | 169 | 1-B 18 | CH210-0181 | 803 | 1-E 10 |
| CH193-5914 | 1141 | 1-F 20 | CH2H-3429 | 195 | 1-B 21 | CH206-2491 | 1045 | 1-F 10 | CH210-0183 | 803 | 1-E 10 |
| CH193-5914 | 1153 | 1-F 21 | CH2H-3920 | 297 | 1-C 7 | CH206-4627 | 943 | 1-E 24 | CH210-0780 | 849 | 1-E 14 |
| CH193-5915 | 535 | 1-D 7 | CH2H-3920 | 1153 | 1-F 21 | CH206-4627 | 945 | 1-E 24 | CH210-1993 | 907 | 1-E 20 |
| CH193-5915 | 667 | 1-D 20 | CH2H-3920 | 1155 | 1-F 21 | CH206-4636 | 933 | 1-E 23 | CH210-2265 | 183 | 1-B 20 |
| CH193-5916 | 579 | 1-D 11 | CH2H-3934 | 97 | 1-B 11 | CH206-4640 | 965 | 1-F 2 | CH210-4352 | 537 | 1-D 7 |
| CH194-4168 | 109 | 1-B 12 | CH2H-3934 | 835 | 1-E 13 | CH206-4640 | 967 | 1-F 2 | CH210-4352 | 1055 | 1-F 11 |
| CH194-4650 | 915 | 1-E 21 | CH2H-3934 | 837 | 1-E 13 | CH206-5823 | 1157 | 1-F 21 | CH210-7488 | 945 | 1-E 24 |
| CH194-4651 | 915 | 1-E 21 | CH2J-3961 | 787 | 1-E 8 | CH206-6337 | 835 | 1-E 13 | CH210-7492 | 945 | 1-E 24 |
| CH194-6725 | 739 | 1-E 3 | CH2J-6356 | 161 | 1-B 18 | CH206-6337 | 837 | 1-E 13 | CH210-7499 | 945 | 1-E 24 |
| CH194-6848 | 853 | 1-E 15 | CH2J-6356 | 707 | 1-D 24 | CH206-6337 | 847 | 1-E 14 | CH210-7518 | 945 | 1-E 24 |
| CH194-7620 | 343 | 1-C 12 | CH2J-6356 | 721 | 1-E 2 | CH206-9017 | 837 | 1-E 13 | CH210-7531 | 979 | 1-F 3 |
| CH194-7620 | 349 | 1-C 12 | CH2J-8163 | 787 | 1-E 8 | CH206-9017 | 853 | 1-E 15 | CH210-7532 | 979 | 1-F 3 |
| CH194-8673 | 849 | 1-E 14 | CH2K-6830 | 939 | 1-E 23 | CH206-9019 | 835 | 1-E 13 | CH211-0912 | 803 | 1-E 10 |
| CH195-1104 | 631 | 1-D 17 | CH2K-8199 | 363 | 1-C 14 | CH206-9019 | 845 | 1-E 14 | CH211-2722 | 973 | 1-F 3 |
| CH195-1104 | 633 | 1-D 17 | CH2K-8199 | 769 | 1-E 6 | CH207-2021 | 1023 | 1-F 8 | CH211-2723 | 973 | 1-F 3 |
| CH195-1104 | 635 | 1-D 17 | CH2L-6726 | 195 | 1-B 21 | CH207-2021 | 1039 | 1-F 9 | CH211-2724 | 973 | 1-F 3 |
| CH195-1104 | 637 | 1-D 17 | CH2M-1908 | 817 | 1-E 11 | CH207-2021 | 1043 | 1-F 10 | CH211-2725 | 973 | 1-F 3 |
| CH195-2600 | 1083 | 1-F 14 | CH2M-5795 | 575 | 1-D 11 | CH207-2023 | 1035 | 1-F 9 | CH211-3502 | 819 | 1-E 11 |
| CH195-2600 | 1085 | 1-F 14 | CH2N-7456 | 347 | 1-C 12 | CH207-2024 | 1035 | 1-F 9 | CH211-3590 | 185 | 1-B 20 |
| CH195-2601 | 1083 | 1-F 14 | CH2P-2717 | 1209 | 1-G 2 | CH207-2032 | 163 | 1-B 18 | CH211-3590 | 189 | 1-B 20 |
| CH195-2601 | 1085 | 1-F 14 | CH2R-2376 | 1055 | 1-F 11 | CH207-2039 | 1023 | 1-F 8 | CH211-3792 | 119 | 1-B 13 |
| CH195-2602 | 1083 | 1-F 14 | CH2S-3440 | 179 | 1-B 19 | CH207-3629 | 839 | 1-E 13 | CH211-4423 | 529 | 1-D 6 |
| CH195-2602 | 1085 | 1-F 14 | CH200-0010 | 931 | 1-E 23 | CH207-3629 | 849 | 1-E 14 | CH211-4423 | 531 | 1-D 7 |
| CH195-2607 | 1083 | 1-F 14 | CH200-0010 | 965 | 1-F 2 | CH207-5359 | 809 | 1-E 10 | CH211-4837 | 1157 | 1-F 21 |
| CH195-2607 | 1085 | 1-F 14 | CH200-0010 | 967 | 1-F 2 | CH207-5359 | 811 | 1-E 11 | CH211-8202 | 971 | 1-F 3 |
| CH195-2608 | 1083 | 1-F 14 | CH200-2841 | 179 | 1-B 19 | CH207-5360 | 809 | 1-E 10 | CH211-8713 | 159 | 1-B 17 |
| CH195-2608 | 1085 | 1-F 14 | CH200-4349 | 729 | 1-E 2 | CH207-5360 | 811 | 1-E 11 | CH211-9968 | 969 | 1-F 2 |
| CH195-2609 | 1083 | 1-F 14 | CH200-4349 | 733 | 1-E 3 | CH207-6797 | 299 | 1-C 7 | CH212-0279 | 189 | 1-B 20 |
| CH195-2609 | 1085 | 1-F 14 | CH200-4359 | 729 | 1-E 2 | CH208-0765 | 821 | 1-E 12 | CH212-0279 | 969 | 1-F 2 |
| CH195-2614 | 1083 | 1-F 14 | CH200-4359 | 733 | 1-E 3 | CH208-1663 | 631 | 1-D 17 | CH212-0297 | 717 | 1-E 1 |
| CH195-2614 | 1085 | 1-F 14 | CH200-4379 | 729 | 1-E 2 | CH208-1663 | 633 | 1-D 17 | CH212-0302 | 717 | 1-E 1 |
| CH195-2626 | 1039 | 1-F 9 | CH200-4379 | 733 | 1-E 3 | CH208-2404 | 1051 | 1-F 11 | CH212-0310 | 717 | 1-E 1 |
| CH195-2626 | 1043 | 1-F 10 | CH200-4384 | 721 | 1-E 2 | CH208-2404 | 1149 | 1-F 20 | CH212-3416 | 1039 | 1-F 9 |
| CH195-7925 | 997 | 1-F 5 | CH200-6208 | 239 | 1-C 1 | CH208-2404 | 1151 | 1-F 21 | CH212-3416 | 1041 | 1-F 10 |
| CH196-2881 | 1083 | 1-F 14 | CH200-6208 | 243 | 1-C 2 | CH208-2404 | 1217 | 1-G 3 | CH212-3416 | 1043 | 1-F 10 |
| CH196-2881 | 1085 | 1-F 14 | CH200-8649 | 187 | 1-B 20 | CH208-2878 | 1063 | 1-F 12 | CH212-3585 | 725 | 1-E 2 |
| CH196-3017 | 931 | 1-E 23 | CH200-8708 | 965 | 1-F 2 | CH208-5384 | 165 | 1-B 18 | CH212-4443 | 331 | 1-C 11 |
| CH196-3019 | 933 | 1-E 23 | CH200-8708 | 967 | 1-F 2 | CH208-5521 | 1141 | 1-F 20 | CH212-4443 | 709 | 1-D 24 |
| CH196-3019 | 965 | 1-F 2 | CH200-8747 | 943 | 1-E 24 | CH208-6662 | 1031 | 1-F 9 | CH212-4443 | 1033 | 1-F 9 |
| CH196-3019 | 967 | 1-F 2 | CH200-8749 | 943 | 1-E 24 | CH208-9482 | 313 | 1-C 9 | CH212-6998 | 319 | 1-C 9 |
| CH196-3022 | 931 | 1-E 23 | CH200-8749 | 945 | 1-E 24 | CH208-9635 | 1155 | 1-F 21 | CH212-6998 | 325 | 1-C 10 |
| CH196-3024 | 785 | 1-E 8 | CH200-8751 | 943 | 1-E 24 | CH208-9829 | 725 | 1-E 2 | CH213-1783 | 225 | 1-B 24 |
| CH196-3025 | 965 | 1-F 2 | CH200-8751 | 991 | 1-F 5 | CH208-9830 | 725 | 1-E 2 | CH213-1827 | 671 | 1-D 21 |
| CH196-3025 | 967 | 1-F 2 | CH201-0780 | 915 | 1-E 21 | CH208-9844 | 809 | 1-E 10 | CH213-4497 | 547 | 1-D 8 |
| CH196-3030 | 965 | 1-F 2 | CH201-7614 | 769 | 1-E 6 | CH208-9844 | 811 | 1-E 11 | CH213-6199 | 945 | 1-E 24 |
| CH196-3030 | 967 | 1-F 2 | CH201-7615 | 767 | 1-E 6 | CH208-9850 | 807 | 1-E 10 | CH213-6273 | 969 | 1-F 2 |
| CH196-3034 | 965 | 1-F 2 | CH201-8106 | 945 | 1-E 24 | CH208-9850 | 825 | 1-E 12 | CH213-8872 | 969 | 1-F 2 |
| CH196-3034 | 967 | 1-F 2 | CH201-8106 | 981 | 1-F 4 | CH208-9972 | 813 | 1-E 11 | CH214-1071 | 983 | 1-F 4 |
| CH196-3041 | 945 | 1-E 24 | CH201-9691 | 247 | 1-C 2 | CH208-9973 | 813 | 1-E 11 | CH214-2184 | 1035 | 1-F 9 |
| CH196-3042 | 945 | 1-E 24 | CH201-9692 | 247 | 1-C 2 | CH208-9974 | 813 | 1-E 11 | CH214-9203 | 853 | 1-E 15 |
| CH196-3698 | 1137 | 1-F 19 | CH202-2373 | 159 | 1-B 17 | CH209-3394 | 131 | 1-B 15 | CH214-9441 | 161 | 1-B 18 |
| CH196-3699 | 1137 | 1-F 19 | CH202-2592 | 847 | 1-E 14 | CH209-3395 | 131 | 1-B 15 | CH215-1382 | 241 | 1-C 2 |
| CH196-4250 | 921 | 1-E 22 | CH202-2593 | 847 | 1-E 14 | CH209-4481 | 1155 | 1-F 21 | CH215-9463 | 639 | 1-D 17 |
| CH196-4254 | 921 | 1-E 22 | CH202-2595 | 847 | 1-E 14 | CH209-4482 | 1155 | 1-F 21 | CH216-2628 | 997 | 1-F 5 |

INDEX

| Part No. | Page | Grid | Part No. | Page | Grid | Part No. | Page | Grid | Part No. | Page | Grid |
|------------|------|--------|-----------|------|--------|-----------|------|--------|-----------|------|--------|
| CH216-2628 | 999 | 1-F 5 | CH3B-4607 | 575 | 1-D 11 | CH3K-0360 | 827 | 1-E 12 | CH4K-8341 | 1035 | 1-F 9 |
| CH216-2628 | 1153 | 1-F 21 | CH3B-4610 | 579 | 1-D 11 | CH3K-0360 | 883 | 1-E 18 | CH4K-8864 | 185 | 1-B 20 |
| CH216-2628 | 1155 | 1-F 21 | CH3B-4611 | 559 | 1-E 9 | CH3K-0360 | 885 | 1-E 18 | CH4K-8864 | 189 | 1-B 20 |
| CH216-4098 | 903 | 1-E 20 | CH3B-4611 | 943 | 1-E 24 | CH3K-0360 | 901 | 1-E 20 | CH4K-8864 | 343 | 1-C 12 |
| CH216-6428 | 559 | 1-D 9 | CH3B-4611 | 945 | 1-E 24 | CH3K-0360 | 969 | 1-F 2 | CH4K-8864 | 349 | 1-C 12 |
| CH216-7114 | 905 | 1-E 20 | CH3B-4615 | 1033 | 1-F 9 | CH3K-0360 | 971 | 1-F 3 | CH4K-8864 | 731 | 1-E 3 |
| CH216-7114 | 909 | 1-E 20 | CH3B-4617 | 707 | 1-D 24 | CH3K-0360 | 973 | 1-F 3 | CH4K-8864 | 735 | 1-E 3 |
| CH216-7114 | 911 | 1-E 21 | CH3B-4617 | 709 | 1-D 24 | CH3K-0360 | 975 | 1-F 3 | CH4K-8864 | 823 | 1-E 12 |
| CH216-7114 | 913 | 1-E 21 | CH3B-4617 | 931 | 1-E 23 | CH3K-0715 | 851 | 1-E 15 | CH4K-9097 | 537 | 1-D 7 |
| CH216-7115 | 909 | 1-E 20 | CH3B-4617 | 933 | 1-E 23 | CH3K-8282 | 747 | 1-E 4 | CH4L-3641 | 973 | 1-F 3 |
| CH216-7115 | 911 | 1-E 21 | CH3B-4617 | 943 | 1-E 24 | CH3K-8282 | 749 | 1-E 4 | CH4L-8183 | 945 | 1-E 24 |
| CH216-7115 | 913 | 1-E 21 | CH3B-4629 | 545 | 1-D 8 | CH3K-9089 | 579 | 1-D 11 | CH4M-7668 | 849 | 1-E 14 |
| CH216-7116 | 741 | 1-E 4 | CH3B-8485 | 947 | 1-E 24 | CH3P-3547 | 1035 | 1-F 9 | CH4P-3966 | 97 | 1-B 11 |
| CH216-7117 | 741 | 1-E 4 | CH3B-8485 | 1217 | 1-G 3 | CH3S-5096 | 997 | 1-F 5 | CH4P-3977 | 97 | 1-B 11 |
| CH216-7118 | 741 | 1-E 4 | CH3B-8486 | 631 | 1-D 17 | CH3S-5096 | 999 | 1-F 5 | CH4P-7428 | 343 | 1-C 12 |
| CH216-7616 | 1083 | 1-F 14 | CH3B-8486 | 633 | 1-D 17 | CH3S-5096 | 1217 | 1-G 3 | CH4P-7428 | 349 | 1-C 12 |
| CH216-7617 | 245 | 1-C 2 | CH3B-8486 | 635 | 1-D 17 | CH3S-8664 | 167 | 1-B 18 | CH4P-7428 | 947 | 1-E 24 |
| CH216-7617 | 1083 | 1-F 14 | CH3B-8486 | 637 | 1-D 17 | CH3S-8664 | 169 | 1-B 18 | CH4P-7581 | 189 | 1-B 20 |
| CH216-8187 | 907 | 1-E 20 | CH3C-6969 | 247 | 1-C 2 | CH3S-8664 | 185 | 1-B 20 | CH4P-7581 | 321 | 1-C 10 |
| CH216-8189 | 907 | 1-E 20 | CH3C-6969 | 317 | 1-C 9 | CH3S-8664 | 189 | 1-B 20 | CH4P-7581 | 325 | 1-C 10 |
| CH216-8190 | 907 | 1-E 20 | CH3C-6969 | 321 | 1-C 10 | CH3S-8664 | 737 | 1-E 3 | CH4P-7581 | 339 | 1-C 11 |
| CH216-8191 | 907 | 1-E 20 | CH3C-6969 | 323 | 1-C 10 | CH3S-8664 | 1059 | 1-F 11 | CH4P-7581 | 341 | 1-C 12 |
| CH216-8275 | 593 | 1-D 13 | CH3C-6969 | 327 | 1-C 10 | CH3S-8664 | 1061 | 1-F 12 | CH4P-7581 | 343 | 1-C 12 |
| CH216-9085 | 321 | 1-C 10 | CH3C-6969 | 337 | 1-C 11 | CH3S-9233 | 783 | 1-E 8 | CH4P-7581 | 345 | 1-C 12 |
| CH216-9085 | 327 | 1-C 10 | CH3D-6209 | 591 | 1-D 13 | CH3S-9557 | 243 | 1-C 2 | CH4P-7581 | 347 | 1-C 12 |
| CH216-9085 | 1033 | 1-F 9 | CH3D-9133 | 665 | 1-D 20 | CH3T-0851 | 235 | 1-C 1 | CH4P-7581 | 349 | 1-C 12 |
| CH216-9165 | 1055 | 1-F 11 | CH3D-9133 | 667 | 1-D 20 | CH3T-0851 | 237 | 1-C 1 | CH4P-7581 | 413 | 1-C 19 |
| CH217-2132 | 1139 | 1-F 19 | CH3E-3363 | 253 | 1-C 3 | CH3T-8607 | 319 | 1-C 9 | CH4P-7581 | 737 | 1-E 3 |
| CH217-5909 | 235 | 1-C 1 | CH3E-3369 | 253 | 1-C 3 | CH3T-8607 | 325 | 1-C 10 | CH4P-7581 | 983 | 1-F 4 |
| CH217-5909 | 237 | 1-C 1 | CH3E-3371 | 359 | 1-C 13 | CH3W-6116 | 947 | 1-E 24 | CH4P-8134 | 321 | 1-C 10 |
| CH217-5909 | 537 | 1-D 7 | CH3E-3389 | 297 | 1-C 7 | CH3W-7412 | 575 | 1-D 11 | CH4P-8134 | 323 | 1-C 10 |
| CH217-5909 | 555 | 1-D 9 | CH3E-3389 | 1153 | 1-F 21 | CH4B-2047 | 347 | 1-C 12 | CH4P-8134 | 325 | 1-C 10 |
| CH217-5909 | 557 | 1-D 9 | CH3E-3389 | 1155 | 1-F 21 | CH4B-4274 | 163 | 1-B 18 | CH4S-1962 | 719 | 1-E 1 |
| CH217-5909 | 1003 | 1-F 6 | CH3E-4289 | 907 | 1-E 20 | CH4B-4274 | 195 | 1-B 21 | CH4S-1962 | 805 | 1-E 10 |
| CH217-5909 | 1083 | 1-F 14 | CH3E-4296 | 897 | 1-E 19 | CH4B-4274 | 233 | 1-C 1 | CH4S-1962 | 975 | 1-F 3 |
| CH217-5909 | 1085 | 1-F 14 | CH3E-4297 | 729 | 1-E 2 | CH4B-4274 | 235 | 1-C 1 | CH4S-1962 | 1059 | 1-F 11 |
| CH218-2891 | 143 | 1-B 16 | CH3E-4297 | 733 | 1-E 3 | CH4B-4274 | 237 | 1-C 1 | CH4S-1962 | 1061 | 1-F 12 |
| CH218-2892 | 143 | 1-B 16 | CH3E-4297 | 739 | 1-E 3 | CH4B-4274 | 347 | 1-C 12 | CH4V-2264 | 1057 | 1-F 11 |
| CH218-2969 | 969 | 1-F 2 | CH3E-4298 | 907 | 1-E 20 | CH4D-2619 | 751 | 1-E 5 | CH4V-2445 | 853 | 1-E 15 |
| CH218-3575 | 717 | 1-E 1 | CH3E-4352 | 1051 | 1-F 11 | CH4D-4431 | 631 | 1-D 17 | CH4W-1203 | 101 | 1-B 12 |
| CH219-4673 | 323 | 1-C 10 | CH3E-4353 | 1017 | 1-F 7 | CH4D-4431 | 633 | 1-D 17 | CH4W-1204 | 101 | 1-B 12 |
| CH219-4673 | 327 | 1-C 10 | CH3E-4353 | 1019 | 1-F 7 | CH4D-4431 | 635 | 1-D 17 | CH4W-2042 | 101 | 1-B 12 |
| CH219-7932 | 813 | 1-E 11 | CH3E-4883 | 105 | 1-B 12 | CH4D-4431 | 637 | 1-D 17 | CH5B-9192 | 731 | 1-E 3 |
| CH219-9653 | 725 | 1-E 2 | CH3E-6600 | 999 | 1-F 5 | CH4D-7388 | 1059 | 1-F 11 | CH5B-9192 | 735 | 1-E 3 |
| CH220-8678 | 165 | 1-B 18 | CH3E-6762 | 731 | 1-E 3 | CH4D-7388 | 1061 | 1-F 12 | CH5C-2874 | 233 | 1-C 1 |
| CH221-0050 | 717 | 1-E 1 | CH3E-6762 | 735 | 1-E 3 | CH4D-7388 | 1089 | 1-F 14 | CH5C-2874 | 321 | 1-C 10 |
| CH221-0051 | 717 | 1-E 1 | CH3E-6762 | 739 | 1-E 3 | CH4D-7733 | 139 | 1-B 15 | CH5C-2874 | 325 | 1-C 10 |
| CH221-2002 | 171 | 1-B 19 | CH3E-6762 | 799 | 1-E 9 | CH4D-7733 | 141 | 1-B 16 | CH5C-8312 | 323 | 1-C 10 |
| CH221-2002 | 179 | 1-B 19 | CH3E-6762 | 801 | 1-E 10 | CH4D-7733 | 719 | 1-E 1 | CH5C-8312 | 327 | 1-C 10 |
| CH221-2003 | 179 | 1-B 19 | CH3E-8008 | 753 | 1-E 5 | CH4D-7735 | 719 | 1-E 1 | CH5C-8312 | 343 | 1-C 12 |
| CH221-3265 | 179 | 1-B 19 | CH3E-8020 | 209 | 1-B 22 | CH4D-7735 | 807 | 1-E 10 | CH5C-8312 | 349 | 1-C 12 |
| CH222-0527 | 823 | 1-E 12 | CH3E-8020 | 1089 | 1-F 14 | CH4D-7735 | 825 | 1-E 12 | CH5C-8312 | 1033 | 1-F 9 |
| CH222-4435 | 1083 | 1-F 14 | CH3E-8020 | 1139 | 1-F 19 | CH4D-7794 | 343 | 1-C 12 | CH5D-4204 | 973 | 1-F 3 |
| CH223-9254 | 807 | 1-E 10 | CH3E-9860 | 229 | 1-B 24 | CH4D-7794 | 347 | 1-C 12 | CH5D-5958 | 763 | 1-E 6 |
| CH223-9254 | 825 | 1-E 12 | CH3E-9860 | 231 | 1-C 1 | CH4D-7794 | 349 | 1-C 12 | CH5D-6539 | 897 | 1-E 19 |
| CH223-9804 | 967 | 1-F 2 | CH3E-9860 | 233 | 1-C 1 | CH4D-9517 | 165 | 1-B 18 | CH5D-8159 | 977 | 1-F 3 |
| CH225-5203 | 813 | 1-E 11 | CH3E-9860 | 575 | 1-D 11 | CH4D-9517 | 185 | 1-B 20 | CH5D-8159 | 979 | 1-F 3 |
| CH225-6215 | 1017 | 1-F 7 | CH3E-9865 | 1209 | 1-G 2 | CH4E-1251 | 161 | 1-B 18 | CH5E-7045 | 921 | 1-E 22 |
| CH226-0372 | 705 | 1-D 24 | CH3F-9556 | 1153 | 1-F 21 | CH4E-1251 | 707 | 1-D 24 | CH5F-3999 | 787 | 1-E 8 |
| CH226-0372 | 707 | 1-D 24 | CH3F-9556 | 1155 | 1-F 21 | CH4E-2229 | 323 | 1-C 10 | CH5F-5434 | 91 | 1-B 11 |
| CH226-2711 | 705 | 1-D 24 | CH3G-0785 | 903 | 1-E 20 | CH4E-2229 | 327 | 1-C 10 | CH5J-3079 | 707 | 1-D 24 |
| CH226-2711 | 707 | 1-D 24 | CH3K-0360 | 95 | 1-B 11 | CH4E-7808 | 1033 | 1-F 9 | CH5J-4715 | 185 | 1-B 20 |
| CH251-6721 | 219 | 1-B 23 | CH3K-0360 | 631 | 1-D 17 | CH4H-7655 | 1071 | 1-F 13 | CH5J-4715 | 189 | 1-B 20 |
| CH3B-0551 | 179 | 1-B 19 | CH3K-0360 | 633 | 1-D 17 | CH4I-3038 | 247 | 1-C 2 | CH5J-7154 | 939 | 1-E 23 |
| CH3B-2263 | 853 | 1-E 15 | CH3K-0360 | 635 | 1-D 17 | CH4I-5399 | 171 | 1-B 19 | CH5K-1078 | 655 | 1-D 19 |
| CH3B-4501 | 321 | 1-C 10 | CH3K-0360 | 637 | 1-D 17 | CH4J-0522 | 821 | 1-E 12 | CH5L-4758 | 767 | 1-E 6 |
| CH3B-4501 | 323 | 1-C 10 | CH3K-0360 | 709 | 1-D 24 | CH4J-2036 | 545 | 1-D 8 | CH5M-2894 | 707 | 1-D 24 |
| CH3B-4501 | 325 | 1-C 10 | CH3K-0360 | 717 | 1-E 1 | CH4J-2701 | 721 | 1-E 2 | CH5P-0537 | 1023 | 1-F 8 |
| CH3B-4501 | 327 | 1-C 10 | CH3K-0360 | 725 | 1-E 2 | CH4J-5050 | 151 | 1-B 17 | CH5P-0767 | 131 | 1-B 15 |
| CH3B-4501 | 343 | 1-C 12 | CH3K-0360 | 793 | 1-E 9 | CH4K-1388 | 95 | 1-B 11 | CH5P-0767 | 133 | 1-B 15 |
| CH3B-4501 | 349 | 1-C 12 | CH3K-0360 | 807 | 1-E 10 | CH4K-1388 | 219 | 1-B 23 | CH5P-0767 | 1063 | 1-F 12 |
| CH3B-4501 | 1049 | 1-F 11 | CH3K-0360 | 819 | 1-E 11 | CH4K-7239 | 655 | 1-D 19 | CH5P-1075 | 91 | 1-B 11 |
| CH3B-4503 | 163 | 1-B 18 | CH3K-0360 | 821 | 1-E 12 | CH4K-8302 | 91 | 1-B 11 | CH5P-1259 | 155 | 1-B 17 |
| CH3B-4505 | 97 | 1-B 11 | CH3K-0360 | 823 | 1-E 12 | CH4K-8302 | 95 | 1-B 11 | CH5P-1259 | 157 | 1-B 17 |
| CH3B-4605 | 1053 | 1-F 11 | CH3K-0360 | 825 | 1-E 12 | CH4K-8341 | 163 | 1-B 18 | CH5P-1420 | 139 | 1-B 15 |

MT800B SERIES TRACTORS

17 INDEX

| Part No. | Page | Grid | Part No. | Page | Grid | Part No. | Page | Grid | Part No. | Page | Grid |
|-----------|------|--------|-----------|------|--------|-----------|------|--------|-----------|------|--------|
| CH5P-1420 | 141 | 1-B 16 | CH5P-9186 | 777 | 1-E 7 | CH6K-3274 | 579 | 1-D 11 | CH6V-8362 | 1031 | 1-F 9 |
| CH5P-1420 | 823 | 1-E 12 | CH5P-9186 | 781 | 1-E 8 | CH6K-3632 | 931 | 1-E 23 | CH6V-8369 | 297 | 1-C 7 |
| CH5P-1442 | 139 | 1-B 15 | CH5P-9186 | 897 | 1-E 19 | CH6K-6307 | 631 | 1-D 17 | CH6V-8369 | 1153 | 1-F 21 |
| CH5P-1442 | 141 | 1-B 16 | CH5P-9186 | 899 | 1-E 19 | CH6K-6307 | 633 | 1-D 17 | CH6V-8369 | 1155 | 1-F 21 |
| CH5P-1442 | 367 | 1-C 14 | CH5P-9186 | 901 | 1-E 20 | CH6K-6307 | 635 | 1-D 17 | CH6V-8376 | 191 | 1-B 21 |
| CH5P-1442 | 817 | 1-E 11 | CH5P-9186 | 903 | 1-E 20 | CH6K-6307 | 637 | 1-D 17 | CH6V-8376 | 319 | 1-C 9 |
| CH5P-3237 | 95 | 1-B 11 | CH5P-9262 | 915 | 1-E 21 | CH6K-6307 | 851 | 1-E 15 | CH6V-8376 | 321 | 1-C 10 |
| CH5P-3424 | 1173 | 1-F 23 | CH5P-9517 | 823 | 1-E 12 | CH6K-6361 | 999 | 1-F 5 | CH6V-8376 | 323 | 1-C 10 |
| CH5P-3602 | 527 | 1-D 6 | CH5P-9651 | 639 | 1-D 17 | CH6K-8178 | 139 | 1-B 15 | CH6V-8376 | 325 | 1-C 10 |
| CH5P-4115 | 195 | 1-B 21 | CH5P-9652 | 639 | 1-D 17 | CH6K-8178 | 141 | 1-B 16 | CH6V-8376 | 327 | 1-C 10 |
| CH5P-4115 | 311 | 1-C 9 | CH5R-5676 | 783 | 1-E 8 | CH6K-9070 | 989 | 1-F 4 | CH6V-8398 | 95 | 1-B 11 |
| CH5P-4115 | 527 | 1-D 6 | CH5R-5718 | 783 | 1-E 8 | CH6K-9632 | 1157 | 1-F 21 | CH6V-8398 | 165 | 1-B 18 |
| CH5P-4115 | 537 | 1-D 7 | CH5R-5780 | 783 | 1-E 8 | CH6L-3966 | 707 | 1-D 24 | CH6V-8398 | 717 | 1-E 1 |
| CH5P-4115 | 553 | 1-D 9 | CH5R-6304 | 783 | 1-E 8 | CH6M-5062 | 921 | 1-E 22 | CH6V-8398 | 723 | 1-E 2 |
| CH5P-4115 | 555 | 1-D 9 | CH5R-6868 | 783 | 1-E 8 | CH6N-6984 | 549 | 1-D 8 | CH6V-8398 | 725 | 1-E 2 |
| CH5P-4115 | 557 | 1-D 9 | CH5S-9062 | 101 | 1-B 12 | CH6N-6984 | 579 | 1-D 11 | CH6V-8398 | 727 | 1-E 2 |
| CH5P-4115 | 559 | 1-D 9 | CH5V-0354 | 947 | 1-E 24 | CH6N-6984 | 581 | 1-D 12 | CH6V-8398 | 819 | 1-E 11 |
| CH5P-4115 | 569 | 1-D 10 | CH5V-1496 | 1139 | 1-F 19 | CH6R-7943 | 845 | 1-E 14 | CH6V-8398 | 821 | 1-E 12 |
| CH5P-4115 | 947 | 1-E 24 | CH5W-9411 | 741 | 1-E 4 | CH6R-7943 | 853 | 1-E 15 | CH6V-8398 | 825 | 1-E 12 |
| CH5P-4115 | 997 | 1-F 5 | CH6B-1032 | 815 | 1-E 11 | CH6S-5993 | 341 | 1-C 12 | CH6V-8398 | 827 | 1-E 12 |
| CH5P-4115 | 999 | 1-F 5 | CH6D-1641 | 727 | 1-E 2 | CH6S-5993 | 349 | 1-C 12 | CH6V-8398 | 921 | 1-E 22 |
| CH5P-4115 | 1083 | 1-F 14 | CH6D-1641 | 971 | 1-F 3 | CH6S-6031 | 639 | 1-D 17 | CH6V-8398 | 969 | 1-F 2 |
| CH5P-4115 | 1085 | 1-F 14 | CH6D-1641 | 973 | 1-F 3 | CH6S-6032 | 639 | 1-D 17 | CH6V-8398 | 971 | 1-F 3 |
| CH5P-4115 | 1155 | 1-F 21 | CH6D-3025 | 195 | 1-B 21 | CH6T-6158 | 151 | 1-B 17 | CH6V-8398 | 973 | 1-F 3 |
| CH5P-4829 | 997 | 1-F 5 | CH6D-4244 | 719 | 1-E 1 | CH6T-7298 | 227 | 1-B 24 | CH6V-8399 | 905 | 1-E 20 |
| CH5P-4892 | 819 | 1-E 11 | CH6D-4246 | 167 | 1-B 18 | CH6V-0894 | 195 | 1-B 21 | CH6V-8399 | 909 | 1-E 20 |
| CH5P-4924 | 817 | 1-E 11 | CH6D-4246 | 169 | 1-B 18 | CH6V-1197 | 759 | 1-E 5 | CH6V-8399 | 911 | 1-E 21 |
| CH5P-5727 | 535 | 1-D 7 | CH6D-4246 | 171 | 1-B 19 | CH6V-1506 | 977 | 1-F 3 | CH6V-8399 | 913 | 1-E 21 |
| CH5P-5777 | 631 | 1-D 17 | CH6D-4246 | 719 | 1-E 1 | CH6V-1506 | 979 | 1-F 3 | CH6V-8548 | 247 | 1-C 2 |
| CH5P-5777 | 633 | 1-D 17 | CH6D-4246 | 971 | 1-F 3 | CH6V-1520 | 817 | 1-E 11 | CH6V-8554 | 723 | 1-E 2 |
| CH5P-5777 | 635 | 1-D 17 | CH6D-7146 | 839 | 1-E 13 | CH6V-1657 | 631 | 1-D 17 | CH6V-8554 | 725 | 1-E 2 |
| CH5P-5777 | 637 | 1-D 17 | CH6E-1571 | 859 | 1-E 15 | CH6V-1657 | 633 | 1-D 17 | CH6V-8554 | 735 | 1-E 3 |
| CH5P-6129 | 999 | 1-F 5 | CH6E-1607 | 917 | 1-E 21 | CH6V-1657 | 635 | 1-D 17 | CH6V-8554 | 819 | 1-E 11 |
| CH5P-6442 | 165 | 1-B 18 | CH6E-3268 | 915 | 1-E 21 | CH6V-1657 | 637 | 1-D 17 | CH6V-8554 | 821 | 1-E 12 |
| CH5P-6442 | 631 | 1-D 17 | CH6E-3269 | 915 | 1-E 21 | CH6V-2235 | 95 | 1-B 11 | CH6V-8625 | 95 | 1-B 11 |
| CH5P-6442 | 633 | 1-D 17 | CH6E-3272 | 915 | 1-E 21 | CH6V-2405 | 1175 | 1-F 23 | CH6V-8637 | 131 | 1-B 15 |
| CH5P-6442 | 635 | 1-D 17 | CH6E-3273 | 915 | 1-E 21 | CH6V-2405 | 1199 | 1-G 1 | CH6V-8637 | 133 | 1-B 15 |
| CH5P-6442 | 637 | 1-D 17 | CH6E-3274 | 915 | 1-E 21 | CH6V-2405 | 1201 | 1-G 2 | CH6V-8639 | 95 | 1-B 11 |
| CH5P-7468 | 819 | 1-E 11 | CH6E-3275 | 915 | 1-E 21 | CH6V-3326 | 763 | 1-E 6 | CH6V-8639 | 167 | 1-B 18 |
| CH5P-7468 | 821 | 1-E 12 | CH6E-3276 | 915 | 1-E 21 | CH6V-3922 | 907 | 1-E 20 | CH6V-8639 | 169 | 1-B 18 |
| CH5P-7469 | 819 | 1-E 11 | CH6E-3343 | 857 | 1-E 15 | CH6V-5049 | 167 | 1-B 18 | CH6V-8642 | 95 | 1-B 11 |
| CH5P-7469 | 821 | 1-E 12 | CH6E-4102 | 763 | 1-E 6 | CH6V-5049 | 169 | 1-B 18 | CH6V-8928 | 1139 | 1-F 19 |
| CH5P-7684 | 851 | 1-E 15 | CH6E-4351 | 851 | 1-E 15 | CH6V-5210 | 235 | 1-C 1 | CH6V-8931 | 197 | 1-B 21 |
| CH5P-7701 | 171 | 1-B 19 | CH6E-4358 | 859 | 1-E 15 | CH6V-5210 | 237 | 1-C 1 | CH6V-8931 | 199 | 1-B 21 |
| CH5P-7803 | 1153 | 1-F 21 | CH6E-4363 | 859 | 1-E 15 | CH6V-5326 | 753 | 1-E 5 | CH6V-8935 | 731 | 1-E 3 |
| CH5P-7808 | 91 | 1-B 11 | CH6E-4364 | 859 | 1-E 15 | CH6V-5326 | 851 | 1-E 15 | CH6V-8935 | 735 | 1-E 3 |
| CH5P-7958 | 1175 | 1-F 23 | CH6E-4365 | 859 | 1-E 15 | CH6V-5586 | 753 | 1-E 5 | CH6V-8978 | 853 | 1-E 15 |
| CH5P-7958 | 1199 | 1-G 1 | CH6E-4366 | 859 | 1-E 15 | CH6V-5586 | 917 | 1-E 21 | CH6V-8996 | 971 | 1-F 3 |
| CH5P-7958 | 1201 | 1-G 2 | CH6E-4367 | 859 | 1-E 15 | CH6V-5839 | 573 | 1-D 11 | CH6V-9028 | 735 | 1-E 3 |
| CH5P-8087 | 923 | 1-E 22 | CH6E-4370 | 859 | 1-E 15 | CH6V-5839 | 1089 | 1-F 14 | CH6V-9028 | 753 | 1-E 5 |
| CH5P-8119 | 711 | 1-E 1 | CH6E-4373 | 859 | 1-E 15 | CH6V-5839 | 1139 | 1-F 19 | CH6V-9028 | 851 | 1-E 15 |
| CH5P-8119 | 713 | 1-E 1 | CH6E-4374 | 859 | 1-E 15 | CH6V-6228 | 921 | 1-E 22 | CH6V-9170 | 971 | 1-F 3 |
| CH5P-8244 | 849 | 1-E 14 | CH6E-4382 | 753 | 1-E 5 | CH6V-6580 | 905 | 1-E 20 | CH6V-9492 | 1049 | 1-F 10 |
| CH5P-8247 | 1089 | 1-F 14 | CH6E-4383 | 753 | 1-E 5 | CH6V-6580 | 909 | 1-E 20 | CH6V-9671 | 323 | 1-C 10 |
| CH5P-8440 | 641 | 1-D 18 | CH6E-4385 | 851 | 1-E 15 | CH6V-6580 | 911 | 1-E 21 | CH6V-9671 | 327 | 1-C 10 |
| CH5P-8444 | 819 | 1-E 11 | CH6E-4392 | 753 | 1-E 5 | CH6V-6580 | 913 | 1-E 21 | CH6V-9673 | 1041 | 1-F 10 |
| CH5P-8444 | 821 | 1-E 12 | CH6E-4392 | 917 | 1-E 21 | CH6V-6757 | 631 | 1-D 17 | CH6V-9748 | 101 | 1-B 12 |
| CH5P-8500 | 319 | 1-C 9 | CH6E-4401 | 917 | 1-E 21 | CH6V-6757 | 633 | 1-D 17 | CH6V-9828 | 731 | 1-E 3 |
| CH5P-8500 | 327 | 1-C 10 | CH6E-4614 | 851 | 1-E 15 | CH6V-6757 | 635 | 1-D 17 | CH6V-9828 | 735 | 1-E 3 |
| CH5P-8500 | 1051 | 1-F 11 | CH6E-6528 | 915 | 1-E 21 | CH6V-6757 | 637 | 1-D 17 | CH6V-9829 | 709 | 1-D 24 |
| CH5P-8500 | 1175 | 1-F 23 | CH6E-6536 | 915 | 1-E 21 | CH6V-7688 | 931 | 1-E 23 | CH6V-9876 | 171 | 1-B 19 |
| CH5P-8500 | 1185 | 1-F 24 | CH6E-6537 | 915 | 1-E 21 | CH6V-7688 | 933 | 1-E 23 | CH6W-5698 | 179 | 1-B 19 |
| CH5P-8500 | 1193 | 1-G 1 | CH6E-6538 | 915 | 1-E 21 | CH6V-7723 | 855 | 1-E 15 | CH6Y-0473 | 639 | 1-D 17 |
| CH5P-8500 | 1199 | 1-G 1 | CH6E-6539 | 915 | 1-E 21 | CH6V-7743 | 527 | 1-D 6 | CH6Y-0473 | 655 | 1-D 19 |
| CH5P-8500 | 1201 | 1-G 2 | CH6E-6540 | 915 | 1-E 21 | CH6V-7744 | 555 | 1-D 9 | CH6Y-8112 | 931 | 1-E 23 |
| CH5P-8500 | 1209 | 1-G 2 | CH6F-0253 | 207 | 1-B 22 | CH6V-7744 | 559 | 1-D 9 | CH6Y-8112 | 933 | 1-E 23 |
| CH5P-8500 | 1217 | 1-G 3 | CH6H-4006 | 1157 | 1-F 21 | CH6V-7744 | 581 | 1-D 12 | CH7B-0863 | 943 | 1-E 24 |
| CH5P-8502 | 1209 | 1-G 2 | CH6I-1418 | 193 | 1-B 21 | CH6V-8130 | 979 | 1-F 3 | CH7C-6178 | 97 | 1-B 11 |
| CH5P-8837 | 511 | 1-D 5 | CH6I-1418 | 195 | 1-B 21 | CH6V-8183 | 709 | 1-D 24 | CH7D-0734 | 981 | 1-F 4 |
| CH5P-8837 | 513 | 1-D 5 | CH6I-1418 | 197 | 1-B 21 | CH6V-8183 | 1033 | 1-F 9 | CH7E-4808 | 101 | 1-B 12 |
| CH5P-8837 | 517 | 1-D 5 | CH6I-1418 | 199 | 1-B 21 | CH6V-8225 | 291 | 1-C 7 | CH7F-3400 | 1173 | 1-F 23 |
| CH5P-8905 | 971 | 1-F 3 | CH6I-1418 | 343 | 1-C 12 | CH6V-8225 | 933 | 1-E 23 | CH7F-3400 | 1175 | 1-F 23 |
| CH5P-9085 | 641 | 1-D 18 | CH6I-1418 | 349 | 1-C 12 | CH6V-8227 | 1137 | 1-F 19 | CH7F-3400 | 1199 | 1-G 1 |
| CH5P-9186 | 703 | 1-D 24 | CH6J-2245 | 343 | 1-C 12 | CH6V-8351 | 917 | 1-E 21 | CH7F-3400 | 1201 | 1-G 2 |
| CH5P-9186 | 775 | 1-E 7 | CH6J-2245 | 347 | 1-C 12 | CH6V-8352 | 915 | 1-E 21 | CH7G-4332 | 639 | 1-D 17 |

INDEX

| Part No. | Page | Grid | Part No. | Page | Grid | Part No. | Page | Grid | Part No. | Page | Grid |
|-----------|------|--------|-----------|------|--------|-----------|------|--------|-----------|------|--------|
| CH7G-4332 | 655 | 1-D 19 | CH7X-0618 | 135 | 1-B 15 | CH8C-6416 | 723 | 1-E 2 | CH8T-0285 | 527 | 1-D 6 |
| CH7H-1177 | 193 | 1-B 21 | CH7X-0618 | 183 | 1-B 20 | CH8C-6416 | 725 | 1-E 2 | CH8T-0318 | 1051 | 1-F 11 |
| CH7H-1177 | 211 | 1-B 23 | CH7X-0618 | 541 | 1-D 8 | CH8C-6416 | 819 | 1-E 11 | CH8T-0328 | 1033 | 1-F 9 |
| CH7J-1309 | 947 | 1-E 24 | CH7X-0618 | 543 | 1-D 8 | CH8C-6416 | 821 | 1-E 12 | CH8T-0328 | 1173 | 1-F 23 |
| CH7K-1181 | 139 | 1-B 15 | CH7X-0618 | 545 | 1-D 8 | CH8C-6433 | 537 | 1-D 7 | CH8T-0334 | 527 | 1-D 6 |
| CH7K-1181 | 141 | 1-B 16 | CH7X-0618 | 583 | 1-D 12 | CH8C-6802 | 1051 | 1-F 11 | CH8T-0337 | 239 | 1-C 1 |
| CH7K-1181 | 167 | 1-B 18 | CH7X-0618 | 655 | 1-D 19 | CH8C-6870 | 167 | 1-B 18 | CH8T-0337 | 321 | 1-C 10 |
| CH7K-1181 | 169 | 1-B 18 | CH7X-0795 | 709 | 1-D 24 | CH8C-6870 | 169 | 1-B 18 | CH8T-0337 | 325 | 1-C 10 |
| CH7K-1181 | 185 | 1-B 20 | CH7X-1434 | 1025 | 1-F 8 | CH8C-6870 | 171 | 1-B 19 | CH8T-0389 | 341 | 1-C 12 |
| CH7K-1181 | 187 | 1-B 20 | CH7X-1448 | 367 | 1-C 14 | CH8C-6872 | 167 | 1-B 18 | CH8T-0389 | 347 | 1-C 12 |
| CH7K-1181 | 193 | 1-B 21 | CH7X-3374 | 721 | 1-E 2 | CH8C-6872 | 169 | 1-B 18 | CH8T-0389 | 1025 | 1-F 8 |
| CH7K-1181 | 195 | 1-B 21 | CH7X-6312 | 217 | 1-B 23 | CH8C-7323 | 847 | 1-E 14 | CH8T-0389 | 1071 | 1-F 13 |
| CH7K-1181 | 197 | 1-B 21 | CH7X-6312 | 219 | 1-B 23 | CH8C-8514 | 321 | 1-C 10 | CH8T-0644 | 109 | 1-B 12 |
| CH7K-1181 | 199 | 1-B 21 | CH7X-6315 | 193 | 1-B 21 | CH8C-8514 | 325 | 1-C 10 | CH8T-0785 | 787 | 1-E 8 |
| CH7K-1181 | 239 | 1-C 1 | CH7X-6315 | 211 | 1-B 23 | CH8C-8533 | 139 | 1-B 15 | CH8T-0788 | 167 | 1-B 18 |
| CH7K-1181 | 243 | 1-C 2 | CH7X-7729 | 93 | 1-B 11 | CH8C-8533 | 141 | 1-B 16 | CH8T-0788 | 169 | 1-B 18 |
| CH7K-1181 | 291 | 1-C 7 | CH7X-7729 | 95 | 1-B 11 | CH8C-8585 | 1149 | 1-F 20 | CH8T-1482 | 507 | 1-D 4 |
| CH7K-1181 | 311 | 1-C 9 | CH7X-7729 | 117 | 1-B 13 | CH8C-8585 | 1151 | 1-F 21 | CH8T-1482 | 509 | 1-D 4 |
| CH7K-1181 | 321 | 1-C 10 | CH7X-7729 | 125 | 1-B 14 | CH8C-9101 | 631 | 1-D 17 | CH8T-1482 | 679 | 1-D 21 |
| CH7K-1181 | 325 | 1-C 10 | CH7X-7729 | 127 | 1-B 14 | CH8C-9101 | 633 | 1-D 17 | CH8T-1807 | 101 | 1-B 12 |
| CH7K-1181 | 341 | 1-C 12 | CH7X-7729 | 129 | 1-B 14 | CH8C-9101 | 635 | 1-D 17 | CH8T-2392 | 881 | 1-E 18 |
| CH7K-1181 | 343 | 1-C 12 | CH7X-7729 | 137 | 1-B 15 | CH8C-9101 | 637 | 1-D 17 | CH8T-2392 | 885 | 1-E 18 |
| CH7K-1181 | 347 | 1-C 12 | CH7X-7729 | 145 | 1-B 16 | CH8C-9160 | 939 | 1-E 23 | CH8T-2444 | 1149 | 1-F 20 |
| CH7K-1181 | 349 | 1-C 12 | CH7X-7729 | 147 | 1-B 16 | CH8C-9660 | 161 | 1-B 18 | CH8T-2444 | 1151 | 1-F 21 |
| CH7K-1181 | 367 | 1-C 14 | CH7X-7729 | 255 | 1-C 3 | CH8C-9660 | 249 | 1-C 2 | CH8T-2658 | 321 | 1-C 10 |
| CH7K-1181 | 641 | 1-D 18 | CH7X-7729 | 295 | 1-C 7 | CH8C-9660 | 251 | 1-C 3 | CH8T-2658 | 327 | 1-C 10 |
| CH7K-1181 | 709 | 1-D 24 | CH7X-7729 | 547 | 1-D 8 | CH8C-9660 | 1135 | 1-F 19 | CH8T-2658 | 1033 | 1-F 9 |
| CH7K-1181 | 715 | 1-E 1 | CH7X-7729 | 555 | 1-D 9 | CH8D-3886 | 631 | 1-D 17 | CH8T-2659 | 249 | 1-C 2 |
| CH7K-1181 | 737 | 1-E 3 | CH7X-7729 | 559 | 1-D 9 | CH8D-3886 | 633 | 1-D 17 | CH8T-2659 | 251 | 1-C 3 |
| CH7K-1181 | 789 | 1-E 8 | CH7X-7729 | 575 | 1-D 11 | CH8D-3886 | 635 | 1-D 17 | CH8T-2659 | 321 | 1-C 10 |
| CH7K-1181 | 983 | 1-F 4 | CH7X-7729 | 583 | 1-D 12 | CH8D-3886 | 637 | 1-D 17 | CH8T-2659 | 1135 | 1-F 19 |
| CH7K-1181 | 1059 | 1-F 11 | CH7X-7729 | 631 | 1-D 17 | CH8D-9558 | 1209 | 1-G 2 | CH8T-2922 | 921 | 1-E 22 |
| CH7K-1181 | 1061 | 1-F 12 | CH7X-7729 | 633 | 1-D 17 | CH8F-7702 | 721 | 1-E 2 | CH8T-3016 | 1045 | 1-F 10 |
| CH7K-1181 | 1081 | 1-F 14 | CH7X-7729 | 635 | 1-D 17 | CH8F-8733 | 755 | 1-E 5 | CH8T-3282 | 93 | 1-B 11 |
| CH7K-1181 | 1141 | 1-F 20 | CH7X-7729 | 637 | 1-D 17 | CH8F-8733 | 757 | 1-E 5 | CH8T-3490 | 103 | 1-B 12 |
| CH7K-9205 | 947 | 1-E 24 | CH7X-7729 | 641 | 1-D 18 | CH8F-8733 | 839 | 1-E 13 | CH8T-3490 | 191 | 1-B 21 |
| CH7K-9209 | 947 | 1-E 24 | CH7X-7729 | 653 | 1-D 19 | CH8H-2262 | 639 | 1-D 17 | CH8T-3490 | 535 | 1-D 7 |
| CH7K-9210 | 947 | 1-E 24 | CH7X-7729 | 665 | 1-D 20 | CH8I-4256 | 249 | 1-C 2 | CH8T-3490 | 547 | 1-D 8 |
| CH7K-9211 | 989 | 1-F 4 | CH7X-7729 | 667 | 1-D 20 | CH8I-4256 | 251 | 1-C 3 | CH8T-3490 | 583 | 1-D 12 |
| CH7S-1912 | 815 | 1-E 11 | CH7X-7729 | 805 | 1-E 10 | CH8I-4256 | 1217 | 1-G 3 | CH8T-3490 | 585 | 1-D 12 |
| CH7T-1099 | 191 | 1-B 21 | CH7X-7729 | 949 | 1-E 24 | CH8K-0589 | 943 | 1-E 24 | CH8T-3490 | 587 | 1-D 12 |
| CH7T-1099 | 671 | 1-D 21 | CH7X-7729 | 973 | 1-F 3 | CH8K-0589 | 945 | 1-E 24 | CH8T-3490 | 665 | 1-D 20 |
| CH7T-1099 | 943 | 1-E 24 | CH7X-7729 | 997 | 1-F 5 | CH8L-2746 | 93 | 1-B 11 | CH8T-3490 | 667 | 1-D 20 |
| CH7T-1099 | 945 | 1-E 24 | CH7X-7729 | 999 | 1-F 5 | CH8L-2746 | 95 | 1-B 11 | CH8T-3490 | 721 | 1-E 2 |
| CH7T-1099 | 1025 | 1-F 8 | CH7X-7729 | 1059 | 1-F 11 | CH8L-2746 | 167 | 1-B 18 | CH8T-3490 | 1023 | 1-F 8 |
| CH7T-4532 | 1021 | 1-F 8 | CH7X-7729 | 1061 | 1-F 12 | CH8L-2746 | 169 | 1-B 18 | CH8T-3597 | 535 | 1-D 7 |
| CH7T-6799 | 319 | 1-C 9 | CH7X-7958 | 167 | 1-B 18 | CH8L-2777 | 703 | 1-D 24 | CH8T-3597 | 541 | 1-D 8 |
| CH7T-6799 | 327 | 1-C 10 | CH7X-7958 | 169 | 1-B 18 | CH8L-2777 | 775 | 1-E 7 | CH8T-3597 | 543 | 1-D 8 |
| CH7T-9793 | 997 | 1-F 5 | CH7X-7958 | 171 | 1-B 19 | CH8L-2777 | 777 | 1-E 7 | CH8T-3597 | 547 | 1-D 8 |
| CH7T-9793 | 999 | 1-F 5 | CH7Y-0725 | 991 | 1-F 5 | CH8L-2777 | 781 | 1-E 8 | CH8T-3597 | 583 | 1-D 12 |
| CH7V-0445 | 579 | 1-D 11 | CH7Y-3173 | 1135 | 1-F 19 | CH8L-2777 | 897 | 1-E 19 | CH8T-3597 | 585 | 1-D 12 |
| CH7W-1890 | 139 | 1-B 15 | CH7Y-5217 | 631 | 1-D 17 | CH8L-2777 | 899 | 1-E 19 | CH8T-3597 | 789 | 1-E 8 |
| CH7W-1890 | 141 | 1-B 16 | CH7Y-5217 | 633 | 1-D 17 | CH8L-2777 | 901 | 1-E 20 | CH8T-3612 | 239 | 1-C 1 |
| CH7W-1890 | 179 | 1-B 19 | CH7Y-5217 | 635 | 1-D 17 | CH8L-2777 | 903 | 1-E 20 | CH8T-3612 | 321 | 1-C 10 |
| CH7W-1890 | 181 | 1-B 20 | CH7Y-5217 | 637 | 1-D 17 | CH8L-2779 | 167 | 1-B 18 | CH8T-3612 | 347 | 1-C 12 |
| CH7X-0474 | 703 | 1-D 24 | CH7Y-7256 | 321 | 1-C 10 | CH8L-2779 | 169 | 1-B 18 | CH8T-3612 | 531 | 1-D 7 |
| CH7X-0474 | 885 | 1-E 18 | CH7Y-7256 | 325 | 1-C 10 | CH8L-2779 | 171 | 1-B 19 | CH8T-3612 | 535 | 1-D 7 |
| CH7X-0515 | 507 | 1-D 4 | CH7Y-7388 | 1079 | 1-F 13 | CH8L-2786 | 167 | 1-B 18 | CH8T-3612 | 537 | 1-D 7 |
| CH7X-0515 | 509 | 1-D 4 | CH8B-7614 | 639 | 1-D 17 | CH8L-2786 | 169 | 1-B 18 | CH8T-3612 | 547 | 1-D 8 |
| CH7X-0515 | 659 | 1-D 19 | CH8C-0572 | 529 | 1-D 6 | CH8L-2786 | 171 | 1-B 19 | CH8T-3612 | 557 | 1-D 9 |
| CH7X-0515 | 837 | 1-E 13 | CH8C-0572 | 531 | 1-D 7 | CH8L-6557 | 947 | 1-E 24 | CH8T-3612 | 559 | 1-D 9 |
| CH7X-0515 | 839 | 1-E 13 | CH8C-0572 | 533 | 1-D 7 | CH8M-2770 | 167 | 1-B 18 | CH8T-3612 | 583 | 1-D 12 |
| CH7X-0517 | 163 | 1-B 18 | CH8C-3051 | 815 | 1-E 11 | CH8M-2770 | 169 | 1-B 18 | CH8T-3612 | 585 | 1-D 12 |
| CH7X-0561 | 641 | 1-D 18 | CH8C-3089 | 765 | 1-E 6 | CH8M-2770 | 185 | 1-B 20 | CH8T-3612 | 587 | 1-D 12 |
| CH7X-0579 | 575 | 1-D 11 | CH8C-3206 | 819 | 1-E 11 | CH8M-2770 | 189 | 1-B 20 | CH8T-3992 | 1149 | 1-F 20 |
| CH7X-0583 | 511 | 1-D 5 | CH8C-3348 | 1185 | 1-F 24 | CH8M-2773 | 193 | 1-B 21 | CH8T-4001 | 655 | 1-D 19 |
| CH7X-0583 | 513 | 1-D 5 | CH8C-3348 | 1193 | 1-G 1 | CH8M-2773 | 719 | 1-E 1 | CH8T-4001 | 947 | 1-E 24 |
| CH7X-0583 | 515 | 1-D 5 | CH8C-3348 | 1201 | 1-G 2 | CH8N-4617 | 149 | 1-B 16 | CH8T-4121 | 883 | 1-E 18 |
| CH7X-0583 | 517 | 1-D 5 | CH8C-5053 | 171 | 1-B 19 | CH8S-0948 | 185 | 1-B 20 | CH8T-4122 | 93 | 1-B 11 |
| CH7X-0583 | 519 | 1-D 5 | CH8C-5193 | 851 | 1-E 15 | CH8S-0948 | 189 | 1-B 20 | CH8T-4122 | 105 | 1-B 12 |
| CH7X-0593 | 567 | 1-D 10 | CH8C-5200 | 729 | 1-E 2 | CH8S-0948 | 1059 | 1-F 11 | CH8T-4122 | 291 | 1-C 7 |
| CH7X-0594 | 545 | 1-D 8 | CH8C-5200 | 733 | 1-E 3 | CH8S-0948 | 1061 | 1-F 12 | CH8T-4122 | 579 | 1-D 11 |
| CH7X-0605 | 947 | 1-E 24 | CH8C-5237 | 851 | 1-E 15 | CH8S-7169 | 367 | 1-C 14 | CH8T-4122 | 589 | 1-D 12 |
| CH7X-0613 | 529 | 1-D 6 | CH8C-5607 | 195 | 1-B 21 | CH8T-0255 | 751 | 1-E 5 | CH8T-4122 | 631 | 1-D 17 |
| CH7X-0613 | 533 | 1-D 7 | CH8C-5608 | 195 | 1-B 21 | CH8T-0269 | 921 | 1-E 22 | CH8T-4122 | 633 | 1-D 17 |

MT800B SERIES TRACTORS

19
INDEX

| Part No. | Page | Grid | Part No. | Page | Grid | Part No. | Page | Grid | Part No. | Page | Grid |
|-----------|------|--------|-----------|------|--------|-----------|------|--------|-----------|------|--------|
| CH8T-4122 | 635 | 1-D 17 | CH8T-7525 | 845 | 1-E 14 | CH9S-8010 | 631 | 1-D 17 | CH9X-7378 | 1021 | 1-F 8 |
| CH8T-4122 | 637 | 1-D 17 | CH8T-7525 | 903 | 1-E 20 | CH9S-8010 | 633 | 1-D 17 | CH9X-7378 | 1059 | 1-F 11 |
| CH8T-4122 | 947 | 1-E 24 | CH8T-7525 | 905 | 1-E 20 | CH9S-8010 | 635 | 1-D 17 | CH9X-7378 | 1061 | 1-F 12 |
| CH8T-4122 | 987 | 1-F 4 | CH8T-7525 | 907 | 1-E 20 | CH9S-8010 | 637 | 1-D 17 | CH9X-7380 | 1059 | 1-F 11 |
| CH8T-4127 | 191 | 1-B 21 | CH8T-7525 | 909 | 1-E 20 | CH9T-1576 | 763 | 1-E 6 | CH9X-7380 | 1061 | 1-F 12 |
| CH8T-4132 | 507 | 1-D 4 | CH8T-7525 | 911 | 1-E 21 | CH9T-1579 | 763 | 1-E 6 | CH9X-7381 | 1059 | 1-F 11 |
| CH8T-4132 | 509 | 1-D 4 | CH8T-7525 | 913 | 1-E 21 | CH9T-1582 | 763 | 1-E 6 | CH9X-7381 | 1061 | 1-F 12 |
| CH8T-4132 | 631 | 1-D 17 | CH8T-7876 | 851 | 1-E 15 | CH9T-1637 | 763 | 1-E 6 | CH9X-7382 | 1059 | 1-F 11 |
| CH8T-4132 | 633 | 1-D 17 | CH8T-7934 | 1139 | 1-F 19 | CH9T-1641 | 759 | 1-E 5 | CH9X-7382 | 1061 | 1-F 12 |
| CH8T-4132 | 635 | 1-D 17 | CH8T-7963 | 1115 | 1-F 17 | CH9T-1642 | 763 | 1-E 6 | CH9X-7383 | 1059 | 1-F 11 |
| CH8T-4132 | 637 | 1-D 17 | CH8T-8729 | 1153 | 1-F 21 | CH9T-1643 | 763 | 1-E 6 | CH9X-7383 | 1061 | 1-F 12 |
| CH8T-4180 | 747 | 1-E 4 | CH8T-8729 | 1155 | 1-F 21 | CH9T-1687 | 763 | 1-E 6 | CH9X-7680 | 845 | 1-E 14 |
| CH8T-4180 | 749 | 1-E 4 | CH8T-8737 | 297 | 1-C 7 | CH9T-2281 | 1053 | 1-F 11 | CH9X-7680 | 853 | 1-E 15 |
| CH8T-4205 | 185 | 1-B 20 | CH8T-8737 | 1153 | 1-F 21 | CH9T-4057 | 739 | 1-E 3 | CH9X-8118 | 247 | 1-C 2 |
| CH8T-4205 | 189 | 1-B 20 | CH8T-8737 | 1155 | 1-F 21 | CH9W-3326 | 319 | 1-C 9 | CH9X-8118 | 1217 | 1-G 3 |
| CH8T-4205 | 191 | 1-B 21 | CH8T-8737 | 1157 | 1-F 21 | CH9W-3326 | 325 | 1-C 10 | CH9X-8250 | 167 | 1-B 18 |
| CH8T-4205 | 229 | 1-B 24 | CH8T-8874 | 191 | 1-B 21 | CH9W-9625 | 655 | 1-D 19 | CH9X-8250 | 169 | 1-B 18 |
| CH8T-4205 | 231 | 1-C 1 | CH8T-8874 | 257 | 1-C 3 | CH9W-9930 | 105 | 1-B 12 | CH9X-8250 | 1059 | 1-F 11 |
| CH8T-4205 | 233 | 1-C 1 | CH8T-8874 | 259 | 1-C 3 | CH9X-1046 | 161 | 1-B 18 | CH9X-8250 | 1061 | 1-F 12 |
| CH8T-4205 | 239 | 1-C 1 | CH8T-8932 | 721 | 1-E 2 | CH9X-1046 | 321 | 1-C 10 | CH9X-8267 | 997 | 1-F 5 |
| CH8T-4205 | 243 | 1-C 2 | CH8T-9102 | 721 | 1-E 2 | CH9X-1046 | 999 | 1-F 5 | CH9X-8399 | 939 | 1-E 23 |
| CH8T-4205 | 275 | 1-C 5 | CH8T-9501 | 299 | 1-C 7 | CH9X-1046 | 1023 | 1-F 8 | CH9X-8979 | 845 | 1-E 14 |
| CH8T-4205 | 277 | 1-C 5 | CH8T-9501 | 537 | 1-D 7 | CH9X-1046 | 1025 | 1-F 8 | CH9X-8979 | 853 | 1-E 15 |
| CH8T-4205 | 287 | 1-C 6 | CH8T-9501 | 1157 | 1-F 21 | CH9X-1046 | 1139 | 1-F 19 | CH9Y-6102 | 151 | 1-B 17 |
| CH8T-4205 | 289 | 1-C 6 | CH8T-9655 | 193 | 1-B 21 | CH9X-1386 | 345 | 1-C 12 | CH9Y-6102 | 153 | 1-B 17 |
| CH8T-4205 | 291 | 1-C 7 | CH8T-9655 | 195 | 1-B 21 | CH9X-2038 | 1143 | 1-F 20 | WR513654 | 579 | 1-D 11 |
| CH8T-4205 | 299 | 1-C 7 | CH8T-9655 | 197 | 1-B 21 | CH9X-2038 | 1145 | 1-F 20 | WR516365 | 365 | 1-C 14 |
| CH8T-4205 | 321 | 1-C 10 | CH8T-9655 | 343 | 1-C 12 | CH9X-2038 | 1147 | 1-F 20 | WR518357 | 789 | 1-E 8 |
| CH8T-4205 | 323 | 1-C 10 | CH8T-9655 | 349 | 1-C 12 | CH9X-2039 | 1089 | 1-F 14 | WR518622 | 1155 | 1-F 21 |
| CH8T-4205 | 325 | 1-C 10 | CH8U-7381 | 907 | 1-E 20 | CH9X-2040 | 573 | 1-D 11 | WR520610 | 631 | 1-D 17 |
| CH8T-4205 | 327 | 1-C 10 | CH8V-9708 | 185 | 1-B 20 | CH9X-2040 | 1139 | 1-F 19 | WR520610 | 633 | 1-D 17 |
| CH8T-4205 | 343 | 1-C 12 | CH8V-9708 | 187 | 1-B 20 | CH9X-2040 | 1141 | 1-F 20 | WR520610 | 635 | 1-D 17 |
| CH8T-4205 | 349 | 1-C 12 | CH8V-9708 | 507 | 1-D 4 | CH9X-2041 | 573 | 1-D 11 | WR520610 | 637 | 1-D 17 |
| CH8T-4205 | 569 | 1-D 10 | CH8V-9708 | 509 | 1-D 4 | CH9X-2042 | 569 | 1-D 10 | WR520867 | 283 | 1-C 6 |
| CH8T-4205 | 1035 | 1-F 9 | CH8X-6167 | 709 | 1-D 24 | CH9X-2042 | 1017 | 1-F 7 | WR520867 | 1115 | 1-F 17 |
| CH8T-4205 | 1081 | 1-F 14 | CH8Y-5737 | 997 | 1-F 5 | CH9X-2042 | 1139 | 1-F 19 | WR550205 | 561 | 1-D 10 |
| CH8T-4205 | 1083 | 1-F 14 | CH9B-7233 | 191 | 1-B 21 | CH9X-2043 | 1149 | 1-F 20 | WR55149 | 139 | 1-B 15 |
| CH8T-4205 | 1085 | 1-F 14 | CH9B-7233 | 319 | 1-C 9 | CH9X-2043 | 1151 | 1-F 21 | WR55149 | 141 | 1-B 16 |
| CH8T-4205 | 1211 | 1-G 3 | CH9B-7233 | 321 | 1-C 10 | CH9X-2044 | 191 | 1-B 21 | WR561071 | 165 | 1-B 18 |
| CH8T-4226 | 293 | 1-C 7 | CH9B-7233 | 323 | 1-C 10 | CH9X-2044 | 321 | 1-C 10 | 005-8593 | 415 | 1-C 19 |
| CH8T-4226 | 561 | 1-D 10 | CH9B-7233 | 325 | 1-C 10 | CH9X-2044 | 323 | 1-C 10 | 005-8593 | 425 | 1-C 20 |
| CH8T-4226 | 1083 | 1-F 14 | CH9B-7233 | 327 | 1-C 10 | CH9X-2044 | 325 | 1-C 10 | 005-8593 | 433 | 1-C 21 |
| CH8T-4226 | 1085 | 1-F 14 | CH9B-7233 | 1031 | 1-F 9 | CH9X-2044 | 327 | 1-C 10 | 005-8593 | 445 | 1-C 22 |
| CH8T-4244 | 119 | 1-B 13 | CH9F-2491 | 849 | 1-E 14 | CH9X-2044 | 1023 | 1-F 8 | 008-3178 | 485 | 1-D 2 |
| CH8T-4244 | 185 | 1-B 20 | CH9F-4446 | 101 | 1-B 12 | CH9X-2044 | 1025 | 1-F 8 | 008-3178 | 491 | 1-D 3 |
| CH8T-4244 | 189 | 1-B 20 | CH9G-3695 | 1049 | 1-F 10 | CH9X-2044 | 1053 | 1-F 11 | 008-3178 | 497 | 1-D 3 |
| CH8T-4244 | 589 | 1-D 12 | CH9H-1958 | 191 | 1-B 21 | CH9X-2044 | 1057 | 1-F 11 | 030-4606 | 183 | 1-B 20 |
| CH8T-4244 | 947 | 1-E 24 | CH9H-6673 | 707 | 1-D 24 | CH9X-2044 | 1089 | 1-F 14 | 031-1119 | 139 | 1-B 15 |
| CH8T-4244 | 949 | 1-E 24 | CH9M-1974 | 161 | 1-B 18 | CH9X-2044 | 1115 | 1-F 17 | 031-1119 | 141 | 1-B 16 |
| CH8T-4244 | 1051 | 1-F 11 | CH9M-2904 | 179 | 1-B 19 | CH9X-2044 | 1141 | 1-F 20 | 036-9823 | 287 | 1-C 6 |
| CH8T-4778 | 947 | 1-E 24 | CH9M-3835 | 575 | 1-D 11 | CH9X-2045 | 343 | 1-C 12 | 036-9823 | 289 | 1-C 6 |
| CH8T-4896 | 101 | 1-B 12 | CH9N-0869 | 193 | 1-B 21 | CH9X-2045 | 349 | 1-C 12 | 054-1303 | 639 | 1-D 17 |
| CH8T-4896 | 127 | 1-B 14 | CH9N-0869 | 195 | 1-B 21 | CH9X-2045 | 1051 | 1-F 11 | 061-7540 | 415 | 1-C 19 |
| CH8T-4896 | 129 | 1-B 14 | CH9N-0869 | 197 | 1-B 21 | CH9X-2045 | 1057 | 1-F 11 | 061-7540 | 423 | 1-C 20 |
| CH8T-4896 | 185 | 1-B 20 | CH9N-0869 | 199 | 1-B 21 | CH9X-2045 | 1079 | 1-F 13 | 061-7540 | 433 | 1-C 21 |
| CH8T-4896 | 189 | 1-B 20 | CH9N-0869 | 343 | 1-C 12 | CH9X-2045 | 1089 | 1-F 14 | 061-7540 | 443 | 1-C 22 |
| CH8T-4896 | 847 | 1-E 14 | CH9N-0869 | 349 | 1-C 12 | CH9X-2045 | 1139 | 1-F 19 | 090-8865 | 1019 | 1-F 7 |
| CH8T-4985 | 167 | 1-B 18 | CH9N-1941 | 159 | 1-B 17 | CH9X-2045 | 1149 | 1-F 20 | 095-0670 | 419 | 1-C 19 |
| CH8T-4985 | 169 | 1-B 18 | CH9N-2061 | 1155 | 1-F 21 | CH9X-2045 | 1151 | 1-F 21 | 095-0670 | 429 | 1-C 20 |
| CH8T-4994 | 721 | 1-E 2 | CH9P-4809 | 371 | 1-C 15 | CH9X-2046 | 1053 | 1-F 11 | 095-0670 | 439 | 1-C 21 |
| CH8T-4994 | 799 | 1-E 9 | CH9R-0158 | 981 | 1-F 4 | CH9X-2092 | 1141 | 1-F 20 | 095-0670 | 449 | 1-C 22 |
| CH8T-4994 | 801 | 1-E 10 | CH9R-2613 | 945 | 1-E 24 | CH9X-2199 | 631 | 1-D 17 | 095-7930 | 287 | 1-C 6 |
| CH8T-5361 | 931 | 1-E 23 | CH9R-7941 | 337 | 1-C 11 | CH9X-2199 | 633 | 1-D 17 | 095-7930 | 289 | 1-C 6 |
| CH8T-5400 | 1155 | 1-F 21 | CH9R-7980 | 337 | 1-C 11 | CH9X-2199 | 635 | 1-D 17 | 096-6166 | 287 | 1-C 6 |
| CH8T-5400 | 1157 | 1-F 21 | CH9S-1315 | 943 | 1-E 24 | CH9X-2199 | 637 | 1-D 17 | 096-6166 | 289 | 1-C 6 |
| CH8T-5439 | 545 | 1-D 8 | CH9S-1347 | 1049 | 1-F 10 | CH9X-2304 | 971 | 1-F 3 | 096-6166 | 439 | 1-C 21 |
| CH8T-6431 | 709 | 1-D 24 | CH9S-7754 | 95 | 1-B 11 | CH9X-2541 | 719 | 1-E 1 | 096-6166 | 449 | 1-C 22 |
| CH8T-6693 | 163 | 1-B 18 | CH9S-8002 | 753 | 1-E 5 | CH9X-2606 | 1033 | 1-F 9 | 1A-0646 | 465 | 1-C 24 |
| CH8T-6693 | 1023 | 1-F 8 | CH9S-8002 | 845 | 1-E 14 | CH9X-2616 | 1051 | 1-F 11 | 1A-0646 | 467 | 1-C 24 |
| CH8T-6762 | 97 | 1-B 11 | CH9S-8002 | 851 | 1-E 15 | CH9X-2858 | 859 | 1-E 15 | 1B-6577 | 457 | 1-C 23 |
| CH8T-6764 | 97 | 1-B 11 | CH9S-8002 | 853 | 1-E 15 | CH9X-3994 | 1017 | 1-F 7 | 1B-6577 | 459 | 1-C 23 |
| CH8T-6765 | 747 | 1-E 4 | CH9S-8002 | 915 | 1-E 21 | CH9X-3994 | 1019 | 1-F 7 | 1B-6577 | 461 | 1-C 24 |
| CH8T-6765 | 749 | 1-E 4 | CH9S-8003 | 655 | 1-D 19 | CH9X-6165 | 1023 | 1-F 8 | 1B-6577 | 463 | 1-C 24 |
| CH8T-7524 | 747 | 1-E 4 | CH9S-8003 | 667 | 1-D 20 | CH9X-6165 | 1089 | 1-F 14 | 1F-2771 | 417 | 1-C 19 |
| CH8T-7524 | 749 | 1-E 4 | CH9S-8008 | 853 | 1-E 15 | CH9X-6165 | 1115 | 1-F 17 | 1F-2771 | 427 | 1-C 20 |

INDEX

| Part No. | Page | Grid | Part No. | Page | Grid | Part No. | Page | Grid | Part No. | Page | Grid |
|----------|------|--------|----------|------|--------|----------|------|--------|----------|------|--------|
| 1F-2771 | 437 | 1-C 21 | 120-9051 | 745 | 1-E 4 | 134-8360 | 497 | 1-D 3 | 136-5665 | 239 | 1-C 1 |
| 1F-2771 | 447 | 1-C 22 | 121-3120 | 455 | 1-C 23 | 134-8361 | 387 | 1-C 16 | 136-5668 | 77 | 1-B 9 |
| 1F-2771 | 453 | 1-C 23 | 123-0380 | 1051 | 1-F 11 | 134-8361 | 389 | 1-C 16 | 136-5668 | 339 | 1-C 11 |
| 1F-7567 | 415 | 1-C 19 | 123-1373 | 189 | 1-B 20 | 134-8361 | 391 | 1-C 17 | 136-5668 | 341 | 1-C 12 |
| 1F-7567 | 425 | 1-C 20 | 124-0492 | 485 | 1-D 2 | 134-8361 | 393 | 1-C 17 | 136-5668 | 343 | 1-C 12 |
| 1F-7567 | 435 | 1-C 21 | 124-0492 | 491 | 1-D 3 | 134-8361 | 397 | 1-C 17 | 136-5669 | 79 | 1-B 9 |
| 1F-7567 | 445 | 1-C 22 | 124-0492 | 497 | 1-D 3 | 134-8361 | 401 | 1-C 18 | 136-5669 | 345 | 1-C 12 |
| 1J-9671 | 639 | 1-D 17 | 124-1479 | 343 | 1-C 12 | 134-8361 | 403 | 1-C 18 | 136-5669 | 347 | 1-C 12 |
| 1J-9671 | 655 | 1-D 19 | 124-1479 | 737 | 1-E 3 | 134-8361 | 405 | 1-C 18 | 136-5669 | 349 | 1-C 12 |
| 1J-9671 | 665 | 1-D 20 | 124-9536 | 415 | 1-C 19 | 134-8361 | 407 | 1-C 18 | 136-5670 | 193 | 1-B 21 |
| 1L-3162 | 487 | 1-D 2 | 124-9536 | 423 | 1-C 20 | 134-8361 | 411 | 1-C 19 | 136-5670 | 771 | 1-E 7 |
| 1L-3162 | 493 | 1-D 3 | 124-9536 | 433 | 1-C 21 | 134-8361 | 485 | 1-D 2 | 136-5670 | 779 | 1-E 7 |
| 1L-3162 | 499 | 1-D 3 | 124-9536 | 443 | 1-C 22 | 134-8361 | 491 | 1-D 3 | 136-5670 | 873 | 1-E 17 |
| 1P-3958 | 421 | 1-C 20 | 126-7260 | 417 | 1-C 19 | 134-8361 | 497 | 1-D 3 | 136-5670 | 875 | 1-E 17 |
| 1P-3958 | 431 | 1-C 21 | 126-7260 | 421 | 1-C 20 | 135-4483 | 319 | 1-C 9 | 136-5670 | 879 | 1-E 17 |
| 1P-3958 | 441 | 1-C 22 | 126-7260 | 427 | 1-C 20 | 136-5218 | 161 | 1-B 18 | 141-0888 | 743 | 1-E 4 |
| 1P-3958 | 451 | 1-C 23 | 126-7260 | 431 | 1-C 21 | 136-5221 | 161 | 1-B 18 | 142-9677 | 239 | 1-C 1 |
| 1R-1234 | 681 | 1-D 22 | 126-7260 | 437 | 1-C 21 | 136-5224 | 161 | 1-B 18 | 142-9739 | 185 | 1-B 20 |
| 1R-1238 | 687 | 1-D 22 | 126-7260 | 441 | 1-C 22 | 136-5261 | 275 | 1-C 5 | 142-9739 | 187 | 1-B 20 |
| 1R-1249 | 681 | 1-D 22 | 126-7260 | 447 | 1-C 22 | 136-5261 | 277 | 1-C 5 | 142-9739 | 255 | 1-C 3 |
| 1R-1265 | 599 | 1-D 13 | 126-7260 | 451 | 1-C 23 | 136-5288 | 237 | 1-C 1 | 142-9826 | 103 | 1-B 12 |
| 1R-1265 | 1217 | 1-G 3 | 127-9545 | 643 | 1-D 18 | 136-5289 | 237 | 1-C 1 | 142-9831 | 299 | 1-C 7 |
| 1R-1266 | 601 | 1-D 14 | 127-9545 | 645 | 1-D 18 | 136-5330 | 1005 | 1-F 6 | 146-3504 | 287 | 1-C 6 |
| 1R-1266 | 1217 | 1-G 3 | 127-9545 | 647 | 1-D 18 | 136-5355 | 771 | 1-E 7 | 146-3504 | 289 | 1-C 6 |
| 1R-1267 | 603 | 1-D 14 | 127-9545 | 649 | 1-D 18 | 136-5355 | 779 | 1-E 7 | 148-1925 | 413 | 1-C 19 |
| 1R-1267 | 1217 | 1-G 3 | 127-9545 | 655 | 1-D 19 | 136-5355 | 1037 | 1-F 9 | 148-8316 | 487 | 1-D 2 |
| 1R-1323 | 607 | 1-D 14 | 127-9561 | 639 | 1-D 17 | 136-5378 | 195 | 1-B 21 | 148-8316 | 493 | 1-D 3 |
| 1R-1323 | 1217 | 1-G 3 | 127-9562 | 631 | 1-D 17 | 136-5378 | 953 | 1-F 1 | 148-8316 | 499 | 1-D 3 |
| 1R-1325 | 609 | 1-D 14 | 127-9562 | 633 | 1-D 17 | 136-5378 | 955 | 1-F 1 | 148-8385 | 487 | 1-D 2 |
| 1R-1325 | 1217 | 1-G 3 | 127-9562 | 635 | 1-D 17 | 136-5378 | 957 | 1-F 1 | 148-8385 | 493 | 1-D 3 |
| 1R-1360 | 611 | 1-D 15 | 127-9562 | 637 | 1-D 17 | 136-5378 | 959 | 1-F 1 | 148-8385 | 499 | 1-D 3 |
| 1R-1388 | 605 | 1-D 14 | 127-9564 | 631 | 1-D 17 | 136-5378 | 961 | 1-F 2 | 148-8395 | 383 | 1-C 16 |
| 1R-1388 | 1217 | 1-G 3 | 127-9564 | 633 | 1-D 17 | 136-5378 | 963 | 1-F 2 | 150-5146 | 97 | 1-B 11 |
| 1T-1068 | 381 | 1-C 16 | 127-9564 | 635 | 1-D 17 | 136-5380 | 341 | 1-C 12 | 151-4059 | 689 | 1-D 22 |
| 1T-1068 | 383 | 1-C 16 | 127-9564 | 637 | 1-D 17 | 136-5380 | 347 | 1-C 12 | 151-8541 | 1149 | 1-F 20 |
| 1T-1597 | 489 | 1-D 2 | 130-4818 | 639 | 1-D 17 | 136-5381 | 341 | 1-C 12 | 151-8541 | 1151 | 1-F 21 |
| 1T-1597 | 495 | 1-D 3 | 130-4818 | 643 | 1-D 18 | 136-5388 | 275 | 1-C 5 | 151-8545 | 1149 | 1-F 20 |
| 1T-1597 | 501 | 1-D 4 | 130-4818 | 645 | 1-D 18 | 136-5404 | 277 | 1-C 5 | 151-8545 | 1151 | 1-F 21 |
| 1U-8846 | 381 | 1-C 16 | 130-4818 | 647 | 1-D 18 | 136-5429 | 79 | 1-B 9 | 151-8559 | 1017 | 1-F 7 |
| 1U-8846 | 385 | 1-C 16 | 130-4818 | 649 | 1-D 18 | 136-5429 | 243 | 1-C 2 | 151-8559 | 1019 | 1-F 7 |
| 1U-8846 | 419 | 1-C 19 | 130-9811 | 413 | 1-C 19 | 136-5441 | 239 | 1-C 1 | 151-9961 | 1017 | 1-F 7 |
| 1U-8846 | 429 | 1-C 20 | 131-3718 | 419 | 1-C 19 | 136-5476 | 239 | 1-C 1 | 151-9961 | 1019 | 1-F 7 |
| 1U-8846 | 439 | 1-C 21 | 131-3718 | 429 | 1-C 20 | 136-5477 | 335 | 1-C 11 | 151-9979 | 1149 | 1-F 20 |
| 1U-8846 | 449 | 1-C 22 | 131-3718 | 439 | 1-C 21 | 136-5477 | 1009 | 1-F 6 | 151-9979 | 1151 | 1-F 21 |
| 1U-8846 | 453 | 1-C 23 | 131-3718 | 449 | 1-C 22 | 136-5477 | 1011 | 1-F 7 | 151-9982 | 1149 | 1-F 20 |
| 1U-8846 | 455 | 1-C 23 | 131-3718 | 453 | 1-C 23 | 136-5477 | 1013 | 1-F 7 | 151-9984 | 1149 | 1-F 20 |
| 1U-8846 | 457 | 1-C 23 | 131-3718 | 483 | 1-D 2 | 136-5477 | 1015 | 1-F 7 | 151-9991 | 1151 | 1-F 21 |
| 1U-8846 | 459 | 1-C 23 | 131-3718 | 489 | 1-D 2 | 136-5477 | 1015 | 1-F 15 | 151-9994 | 1017 | 1-F 7 |
| 1U-8846 | 461 | 1-C 24 | 131-3718 | 495 | 1-D 3 | 136-5477 | 1097 | 1-F 15 | 151-9994 | 1149 | 1-F 20 |
| 1U-8846 | 463 | 1-C 24 | 131-3718 | 501 | 1-D 4 | 136-5477 | 1103 | 1-F 16 | 151-9995 | 1019 | 1-F 7 |
| 101-3129 | 653 | 1-D 19 | 132-5789 | 343 | 1-C 12 | 136-5477 | 1105 | 1-F 16 | 151-9995 | 1151 | 1-F 21 |
| 101-9640 | 91 | 1-B 11 | 132-6597 | 417 | 1-C 19 | 136-5477 | 1111 | 1-F 17 | 152-0003 | 1013 | 1-F 7 |
| 102-8802 | 339 | 1-C 11 | 132-6597 | 427 | 1-C 20 | 136-5477 | 1113 | 1-F 17 | 152-0003 | 1015 | 1-F 7 |
| 102-8803 | 279 | 1-C 5 | 132-6597 | 437 | 1-C 21 | 136-5509 | 233 | 1-C 1 | 152-0003 | 1017 | 1-F 7 |
| 102-8803 | 341 | 1-C 12 | 132-6597 | 447 | 1-C 22 | 136-5530 | 319 | 1-C 9 | 152-0004 | 1009 | 1-F 6 |
| 102-8804 | 195 | 1-B 21 | 132-6598 | 417 | 1-C 19 | 136-5535 | 355 | 1-C 13 | 152-0004 | 1011 | 1-F 7 |
| 102-8804 | 239 | 1-C 1 | 132-6598 | 427 | 1-C 20 | 136-5536 | 193 | 1-B 21 | 152-0004 | 1019 | 1-F 7 |
| 105-5211 | 735 | 1-E 3 | 132-6598 | 437 | 1-C 21 | 136-5566 | 161 | 1-B 18 | 152-0005 | 325 | 1-C 10 |
| 109-6497 | 457 | 1-C 23 | 132-6598 | 447 | 1-C 22 | 136-5597 | 233 | 1-C 1 | 152-0005 | 327 | 1-C 10 |
| 109-6497 | 459 | 1-C 23 | 134-3988 | 343 | 1-C 12 | 136-5598 | 237 | 1-C 1 | 152-0005 | 1009 | 1-F 6 |
| 109-6497 | 461 | 1-C 24 | 134-4126 | 343 | 1-C 12 | 136-5600 | 191 | 1-B 21 | 152-0005 | 1011 | 1-F 7 |
| 109-6497 | 463 | 1-C 24 | 134-5645 | 465 | 1-C 24 | 136-5654 | 185 | 1-B 20 | 152-0417 | 1013 | 1-F 7 |
| 110-6393 | 1195 | 1-G 1 | 134-5645 | 467 | 1-C 24 | 136-5654 | 187 | 1-B 20 | 152-0417 | 1015 | 1-F 7 |
| 110-6393 | 1201 | 1-G 2 | 134-8360 | 387 | 1-C 16 | 136-5654 | 191 | 1-B 21 | 152-0417 | 1083 | 1-F 14 |
| 111-7068 | 417 | 1-C 19 | 134-8360 | 389 | 1-C 16 | 136-5655 | 191 | 1-B 21 | 152-0418 | 1009 | 1-F 6 |
| 111-7068 | 427 | 1-C 20 | 134-8360 | 391 | 1-C 17 | 136-5662 | 185 | 1-B 20 | 152-0418 | 1011 | 1-F 7 |
| 111-7068 | 437 | 1-C 21 | 134-8360 | 393 | 1-C 17 | 136-5663 | 57 | 1-B 7 | 152-0418 | 1013 | 1-F 7 |
| 111-7068 | 447 | 1-C 22 | 134-8360 | 397 | 1-C 17 | 136-5663 | 59 | 1-B 7 | 152-0418 | 1015 | 1-F 7 |
| 112-5282 | 413 | 1-C 19 | 134-8360 | 401 | 1-C 18 | 136-5663 | 61 | 1-B 8 | 152-0418 | 1057 | 1-F 11 |
| 115-4550 | 473 | 1-D 1 | 134-8360 | 403 | 1-C 18 | 136-5663 | 63 | 1-B 8 | 152-0419 | 1009 | 1-F 6 |
| 117-1385 | 413 | 1-C 19 | 134-8360 | 405 | 1-C 18 | 136-5663 | 65 | 1-B 8 | 152-0419 | 1011 | 1-F 7 |
| 117-8131 | 567 | 1-D 10 | 134-8360 | 407 | 1-C 18 | 136-5663 | 187 | 1-B 20 | 152-0419 | 1015 | 1-F 7 |
| 120-8514 | 743 | 1-E 4 | 134-8360 | 411 | 1-C 19 | 136-5663 | 189 | 1-B 20 | 152-0419 | 1133 | 1-F 19 |
| 120-8514 | 745 | 1-E 4 | 134-8360 | 485 | 1-D 2 | 136-5663 | 1015 | 1-F 7 | 152-0420 | 319 | 1-C 9 |
| 120-9048 | 743 | 1-E 4 | 134-8360 | 491 | 1-D 3 | 136-5665 | 77 | 1-B 9 | 152-0420 | 321 | 1-C 10 |

MT800B SERIES TRACTORS

21 INDEX

| Part No. | Page | Grid | Part No. | Page | Grid | Part No. | Page | Grid | Part No. | Page | Grid |
|----------|------|--------|----------|------|--------|----------|------|--------|----------|------|--------|
| 152-0420 | 323 | 1-C 10 | 152-5242 | 377 | 1-C 15 | 158-2363 | 969 | 1-F 2 | 162-6690 | 1057 | 1-F 11 |
| 152-0420 | 1013 | 1-F 7 | 152-5242 | 379 | 1-C 15 | 158-2363 | 971 | 1-F 3 | 162-6691 | 1053 | 1-F 11 |
| 152-0420 | 1015 | 1-F 7 | 152-5242 | 469 | 1-C 24 | 158-2393 | 797 | 1-E 9 | 162-6692 | 1057 | 1-F 11 |
| 152-0422 | 1153 | 1-F 21 | 153-9300 | 321 | 1-C 10 | 158-2393 | 827 | 1-E 12 | 162-6693 | 1083 | 1-F 14 |
| 152-0424 | 1009 | 1-F 6 | 154-8079 | 319 | 1-C 9 | 158-2397 | 797 | 1-E 9 | 162-6693 | 1085 | 1-F 14 |
| 152-0424 | 1011 | 1-F 7 | 154-8263 | 639 | 1-D 17 | 158-2397 | 839 | 1-E 13 | 162-6696 | 239 | 1-C 1 |
| 152-0424 | 1015 | 1-F 7 | 154-8264 | 639 | 1-D 17 | 158-2404 | 619 | 1-D 15 | 162-6697 | 239 | 1-C 1 |
| 152-0424 | 1143 | 1-F 20 | 154-8264 | 1217 | 1-G 3 | 158-2404 | 621 | 1-D 16 | 162-6698 | 239 | 1-C 1 |
| 152-0431 | 1139 | 1-F 19 | 155-0014 | 243 | 1-C 2 | 158-2404 | 627 | 1-D 16 | 162-6699 | 239 | 1-C 1 |
| 152-0433 | 1009 | 1-F 6 | 155-0020 | 241 | 1-C 2 | 158-2404 | 629 | 1-D 16 | 162-6706 | 747 | 1-E 4 |
| 152-0433 | 1011 | 1-F 7 | 155-0027 | 239 | 1-C 1 | 158-2404 | 755 | 1-E 5 | 162-6706 | 749 | 1-E 4 |
| 152-0433 | 1013 | 1-F 7 | 155-0029 | 239 | 1-C 1 | 158-5925 | 79 | 1-B 9 | 162-6728 | 747 | 1-E 4 |
| 152-0433 | 1015 | 1-F 7 | 155-0038 | 191 | 1-B 21 | 158-5925 | 569 | 1-D 10 | 162-6734 | 1053 | 1-F 11 |
| 152-0433 | 1115 | 1-F 17 | 155-0042 | 249 | 1-C 2 | 158-5934 | 555 | 1-D 9 | 162-6737 | 1023 | 1-F 8 |
| 152-0434 | 1023 | 1-F 8 | 155-0043 | 251 | 1-C 3 | 158-5934 | 557 | 1-D 9 | 162-6738 | 1023 | 1-F 8 |
| 152-0434 | 1089 | 1-F 14 | 155-2939 | 639 | 1-D 17 | 158-5935 | 555 | 1-D 9 | 162-6751 | 1139 | 1-F 19 |
| 152-0434 | 1091 | 1-F 15 | 155-4426 | 471 | 1-D 1 | 158-5935 | 557 | 1-D 9 | 162-6752 | 1141 | 1-F 20 |
| 152-0434 | 1093 | 1-F 15 | 155-4426 | 503 | 1-D 4 | 158-5950 | 553 | 1-D 9 | 162-6757 | 1115 | 1-F 17 |
| 152-0434 | 1095 | 1-F 15 | 155-9571 | 387 | 1-C 16 | 158-5950 | 557 | 1-D 9 | 162-6758 | 1115 | 1-F 17 |
| 152-0434 | 1097 | 1-F 15 | 155-9571 | 469 | 1-C 24 | 158-5952 | 553 | 1-D 9 | 162-6759 | 1115 | 1-F 17 |
| 152-0434 | 1099 | 1-F 15 | 155-9572 | 389 | 1-C 16 | 158-5952 | 557 | 1-D 9 | 162-9766 | 729 | 1-E 2 |
| 152-0434 | 1101 | 1-F 16 | 155-9572 | 391 | 1-C 17 | 158-5953 | 555 | 1-D 9 | 162-9766 | 733 | 1-E 3 |
| 152-0434 | 1103 | 1-F 16 | 155-9572 | 469 | 1-C 24 | 158-5953 | 557 | 1-D 9 | 162-9804 | 835 | 1-E 13 |
| 152-0434 | 1105 | 1-F 16 | 155-9575 | 393 | 1-C 17 | 158-5960 | 537 | 1-D 7 | 162-9804 | 841 | 1-E 14 |
| 152-0434 | 1107 | 1-F 16 | 155-9575 | 469 | 1-C 24 | 158-5960 | 553 | 1-D 9 | 162-9805 | 701 | 1-D 24 |
| 152-0434 | 1109 | 1-F 16 | 155-9576 | 395 | 1-C 17 | 158-5961 | 537 | 1-D 7 | 162-9805 | 703 | 1-D 24 |
| 152-0434 | 1111 | 1-F 17 | 155-9576 | 397 | 1-C 17 | 158-5962 | 537 | 1-D 7 | 162-9805 | 833 | 1-E 13 |
| 152-0434 | 1113 | 1-F 17 | 155-9576 | 469 | 1-C 24 | 159-1236 | 365 | 1-C 14 | 162-9805 | 863 | 1-E 16 |
| 152-0438 | 1009 | 1-F 6 | 155-9579 | 381 | 1-C 16 | 160-6789 | 489 | 1-D 2 | 162-9805 | 867 | 1-E 16 |
| 152-0438 | 1011 | 1-F 7 | 155-9579 | 383 | 1-C 16 | 160-6789 | 495 | 1-D 3 | 162-9805 | 869 | 1-E 16 |
| 152-0438 | 1013 | 1-F 7 | 155-9579 | 385 | 1-C 16 | 160-6789 | 501 | 1-D 4 | 162-9816 | 775 | 1-E 7 |
| 152-0438 | 1015 | 1-F 7 | 155-9579 | 469 | 1-C 24 | 161-1817 | 665 | 1-D 20 | 162-9816 | 777 | 1-E 7 |
| 152-0438 | 1033 | 1-F 9 | 155-9580 | 413 | 1-C 19 | 161-1817 | 667 | 1-D 20 | 162-9816 | 891 | 1-E 19 |
| 152-0441 | 1083 | 1-F 14 | 155-9580 | 469 | 1-C 24 | 161-8222 | 381 | 1-C 16 | 162-9816 | 893 | 1-E 19 |
| 152-0441 | 1085 | 1-F 14 | 156-1327 | 505 | 1-D 4 | 161-8222 | 383 | 1-C 16 | 162-9816 | 897 | 1-E 19 |
| 152-0443 | 871 | 1-E 17 | 156-1327 | 579 | 1-D 11 | 161-8739 | 485 | 1-D 2 | 162-9817 | 883 | 1-E 18 |
| 152-0443 | 877 | 1-E 17 | 156-4881 | 619 | 1-D 15 | 161-8739 | 491 | 1-D 3 | 162-9817 | 885 | 1-E 18 |
| 152-0443 | 1039 | 1-F 9 | 156-4881 | 621 | 1-D 16 | 161-8739 | 497 | 1-D 3 | 162-9817 | 901 | 1-E 20 |
| 152-0443 | 1091 | 1-F 15 | 156-4881 | 673 | 1-D 21 | 161-8848 | 485 | 1-D 2 | 162-9818 | 883 | 1-E 18 |
| 152-0443 | 1093 | 1-F 15 | 156-4882 | 643 | 1-D 18 | 161-8848 | 491 | 1-D 3 | 162-9818 | 885 | 1-E 18 |
| 152-0443 | 1095 | 1-F 15 | 156-4882 | 673 | 1-D 21 | 161-9174 | 77 | 1-B 9 | 162-9818 | 903 | 1-E 20 |
| 152-0443 | 1097 | 1-F 15 | 156-4882 | 675 | 1-D 21 | 161-9174 | 529 | 1-D 6 | 162-9822 | 901 | 1-E 20 |
| 152-0444 | 1009 | 1-F 6 | 156-4883 | 645 | 1-D 18 | 161-9177 | 79 | 1-B 9 | 163-0267 | 669 | 1-D 20 |
| 152-0444 | 1011 | 1-F 7 | 156-4883 | 673 | 1-D 21 | 161-9177 | 531 | 1-D 7 | 163-0267 | 671 | 1-D 21 |
| 152-0444 | 1085 | 1-F 14 | 156-4883 | 675 | 1-D 21 | 162-0177 | 383 | 1-C 16 | 163-0268 | 669 | 1-D 20 |
| 152-0445 | 953 | 1-F 1 | 156-4884 | 643 | 1-D 18 | 162-0177 | 489 | 1-D 2 | 163-0268 | 671 | 1-D 21 |
| 152-0445 | 955 | 1-F 1 | 156-4884 | 665 | 1-D 20 | 162-0177 | 495 | 1-D 3 | 163-0384 | 77 | 1-B 9 |
| 152-0445 | 957 | 1-F 1 | 156-4885 | 645 | 1-D 18 | 162-0177 | 501 | 1-D 4 | 163-0384 | 81 | 1-B 10 |
| 152-0445 | 959 | 1-F 1 | 156-4885 | 647 | 1-D 18 | 162-0288 | 669 | 1-D 20 | 163-0384 | 83 | 1-B 10 |
| 152-0445 | 961 | 1-F 2 | 156-4885 | 649 | 1-D 18 | 162-4091 | 239 | 1-C 1 | 163-0384 | 85 | 1-B 10 |
| 152-0445 | 963 | 1-F 2 | 156-4885 | 667 | 1-D 20 | 162-4091 | 243 | 1-C 2 | 163-0384 | 87 | 1-B 10 |
| 152-0445 | 1035 | 1-F 9 | 156-4891 | 661 | 1-D 20 | 162-4092 | 239 | 1-C 1 | 163-0384 | 89 | 1-B 10 |
| 152-0445 | 1093 | 1-F 15 | 156-4893 | 67 | 1-B 8 | 162-4092 | 243 | 1-C 2 | 163-0384 | 369 | 1-C 14 |
| 152-0445 | 1097 | 1-F 15 | 156-4893 | 69 | 1-B 8 | 162-4095 | 1145 | 1-F 20 | 163-0386 | 77 | 1-B 9 |
| 152-0445 | 1101 | 1-F 16 | 156-4893 | 71 | 1-B 9 | 162-4096 | 351 | 1-C 13 | 163-0386 | 723 | 1-E 2 |
| 152-0445 | 1105 | 1-F 16 | 156-4893 | 73 | 1-B 9 | 162-4096 | 1015 | 1-F 7 | 163-0400 | 985 | 1-F 4 |
| 152-0445 | 1109 | 1-F 16 | 156-4893 | 75 | 1-B 9 | 162-4097 | 317 | 1-C 9 | 163-0402 | 223 | 1-B 24 |
| 152-0445 | 1113 | 1-F 17 | 156-4893 | 663 | 1-D 20 | 162-4097 | 1015 | 1-F 7 | 163-0403 | 225 | 1-B 24 |
| 152-0446 | 205 | 1-B 22 | 156-6075 | 605 | 1-D 14 | 162-4099 | 299 | 1-C 7 | 163-0405 | 369 | 1-C 14 |
| 152-0446 | 985 | 1-F 4 | 156-6077 | 599 | 1-D 13 | 162-4101 | 245 | 1-C 2 | 163-0414 | 369 | 1-C 14 |
| 152-0447 | 161 | 1-B 18 | 156-6079 | 601 | 1-D 14 | 162-4101 | 247 | 1-C 2 | 163-0414 | 371 | 1-C 15 |
| 152-0447 | 1009 | 1-F 6 | 156-6082 | 603 | 1-D 14 | 162-4101 | 1009 | 1-F 6 | 163-0415 | 371 | 1-C 15 |
| 152-0447 | 1011 | 1-F 7 | 156-6084 | 639 | 1-D 17 | 162-4101 | 1011 | 1-F 7 | 163-0425 | 369 | 1-C 14 |
| 152-0447 | 1013 | 1-F 7 | 156-8343 | 665 | 1-D 20 | 162-4102 | 355 | 1-C 13 | 163-0592 | 415 | 1-C 19 |
| 152-0447 | 1015 | 1-F 7 | 156-8343 | 667 | 1-D 20 | 162-4103 | 1157 | 1-F 21 | 163-0592 | 423 | 1-C 20 |
| 152-0448 | 773 | 1-E 7 | 158-2339 | 797 | 1-E 9 | 162-4105 | 1023 | 1-F 8 | 163-0592 | 433 | 1-C 21 |
| 152-0448 | 779 | 1-E 7 | 158-2339 | 829 | 1-E 12 | 162-4111 | 1085 | 1-F 14 | 163-0592 | 443 | 1-C 22 |
| 152-0448 | 879 | 1-E 17 | 158-2349 | 789 | 1-E 8 | 162-4112 | 505 | 1-D 4 | 163-0678 | 643 | 1-D 18 |
| 152-0448 | 1041 | 1-F 10 | 158-2349 | 797 | 1-E 9 | 162-4112 | 567 | 1-D 10 | 163-0678 | 645 | 1-D 18 |
| 152-0448 | 1107 | 1-F 16 | 158-2363 | 953 | 1-F 1 | 162-6654 | 1083 | 1-F 14 | 163-0678 | 647 | 1-D 18 |
| 152-0448 | 1109 | 1-F 16 | 158-2363 | 955 | 1-F 1 | 162-6654 | 1085 | 1-F 14 | 163-0678 | 649 | 1-D 18 |
| 152-0448 | 1111 | 1-F 17 | 158-2363 | 957 | 1-F 1 | 162-6655 | 1083 | 1-F 14 | 163-0678 | 651 | 1-D 19 |
| 152-0448 | 1113 | 1-F 17 | 158-2363 | 959 | 1-F 1 | 162-6687 | 1057 | 1-F 11 | 163-1009 | 669 | 1-D 20 |
| 152-5242 | 373 | 1-C 15 | 158-2363 | 961 | 1-F 2 | 162-6688 | 1057 | 1-F 11 | 163-1009 | 673 | 1-D 21 |
| 152-5242 | 375 | 1-C 15 | 158-2363 | 963 | 1-F 2 | 162-6689 | 1057 | 1-F 11 | 163-1009 | 677 | 1-D 21 |

INDEX

| Part No. | Page | Grid | Part No. | Page | Grid | Part No. | Page | Grid | Part No. | Page | Grid |
|----------|------|--------|----------|------|--------|----------|------|--------|----------|------|--------|
| 164-2108 | 471 | 1-D 1 | 166-4608 | 1023 | 1-F 8 | 169-8229 | 317 | 1-C 9 | 173-5392 | 395 | 1-C 17 |
| 164-2108 | 503 | 1-D 4 | 166-4616 | 229 | 1-B 24 | 169-8229 | 337 | 1-C 11 | 173-5392 | 397 | 1-C 17 |
| 164-3949 | 489 | 1-D 2 | 166-4616 | 231 | 1-C 1 | 169-8230 | 355 | 1-C 13 | 173-5392 | 401 | 1-C 18 |
| 164-3949 | 495 | 1-D 3 | 166-4616 | 233 | 1-C 1 | 169-8230 | 357 | 1-C 13 | 173-5392 | 403 | 1-C 18 |
| 164-3949 | 501 | 1-D 4 | 166-4617 | 1053 | 1-F 11 | 169-8231 | 323 | 1-C 10 | 173-5392 | 405 | 1-C 18 |
| 164-3951 | 489 | 1-D 2 | 166-4623 | 79 | 1-B 9 | 169-8231 | 327 | 1-C 10 | 173-5392 | 407 | 1-C 18 |
| 164-3951 | 495 | 1-D 3 | 166-4623 | 751 | 1-E 5 | 170-2204 | 319 | 1-C 9 | 173-5392 | 409 | 1-C 18 |
| 164-3951 | 501 | 1-D 4 | 166-7774 | 507 | 1-D 4 | 170-2204 | 325 | 1-C 10 | 173-5392 | 411 | 1-C 19 |
| 164-4180 | 383 | 1-C 16 | 166-7774 | 509 | 1-D 4 | 170-5739 | 1077 | 1-F 13 | 173-5392 | 485 | 1-D 2 |
| 164-5567 | 383 | 1-C 16 | 166-7775 | 507 | 1-D 4 | 170-5765 | 579 | 1-D 11 | 173-5392 | 491 | 1-D 3 |
| 164-5619 | 383 | 1-C 16 | 166-7775 | 509 | 1-D 4 | 170-7253 | 1079 | 1-F 13 | 173-5392 | 497 | 1-D 3 |
| 164-7013 | 1051 | 1-F 11 | 166-7776 | 507 | 1-D 4 | 170-7255 | 1135 | 1-F 19 | 173-6501 | 353 | 1-C 13 |
| 164-7014 | 1051 | 1-F 11 | 166-7776 | 509 | 1-D 4 | 170-7290 | 453 | 1-C 23 | 173-6501 | 1011 | 1-F 7 |
| 164-7017 | 1017 | 1-F 7 | 167-1258 | 1157 | 1-F 21 | 170-7290 | 483 | 1-D 2 | 173-6501 | 1015 | 1-F 7 |
| 164-7017 | 1019 | 1-F 7 | 167-9524 | 471 | 1-D 1 | 171-1229 | 195 | 1-B 21 | 173-6505 | 313 | 1-C 9 |
| 164-7017 | 1139 | 1-F 19 | 167-9524 | 503 | 1-D 4 | 171-1576 | 1005 | 1-F 6 | 173-6506 | 1135 | 1-F 19 |
| 164-7023 | 1053 | 1-F 11 | 168-1945 | 357 | 1-C 13 | 171-7234 | 507 | 1-D 4 | 173-6507 | 1079 | 1-F 13 |
| 164-7040 | 1035 | 1-F 9 | 168-1946 | 337 | 1-C 11 | 171-7234 | 509 | 1-D 4 | 173-7708 | 321 | 1-C 10 |
| 164-7041 | 1049 | 1-F 10 | 168-1946 | 1009 | 1-F 6 | 171-7234 | 1217 | 1-G 3 | 173-7708 | 325 | 1-C 10 |
| 164-7042 | 1023 | 1-F 8 | 168-1946 | 1011 | 1-F 7 | 171-9687 | 239 | 1-C 1 | 173-7708 | 329 | 1-C 10 |
| 164-7044 | 1025 | 1-F 8 | 168-1951 | 1005 | 1-F 6 | 171-9687 | 243 | 1-C 2 | 173-8307 | 595 | 1-D 13 |
| 164-7062 | 1115 | 1-F 17 | 168-1951 | 1009 | 1-F 6 | 171-9688 | 239 | 1-C 1 | 173-8307 | 597 | 1-D 13 |
| 164-7067 | 1051 | 1-F 11 | 168-1951 | 1011 | 1-F 7 | 171-9688 | 243 | 1-C 2 | 173-8818 | 1023 | 1-F 8 |
| 164-7069 | 1139 | 1-F 19 | 168-1951 | 1013 | 1-F 7 | 171-9688 | 1217 | 1-G 3 | 174-4874 | 457 | 1-C 23 |
| 165-0260 | 489 | 1-D 2 | 168-1951 | 1015 | 1-F 7 | 171-9773 | 1215 | 1-G 3 | 174-4874 | 459 | 1-C 23 |
| 165-0260 | 495 | 1-D 3 | 168-1952 | 1073 | 1-F 13 | 171-9774 | 1215 | 1-G 3 | 174-4874 | 461 | 1-C 24 |
| 165-0260 | 501 | 1-D 4 | 168-1970 | 1075 | 1-F 13 | 172-3441 | 485 | 1-D 2 | 174-4874 | 463 | 1-C 24 |
| 165-0390 | 413 | 1-C 19 | 168-2284 | 1083 | 1-F 14 | 172-3441 | 491 | 1-D 3 | 174-5770 | 997 | 1-F 5 |
| 165-0400 | 403 | 1-C 18 | 168-2284 | 1085 | 1-F 14 | 172-3441 | 497 | 1-D 3 | 174-5770 | 999 | 1-F 5 |
| 165-0420 | 395 | 1-C 17 | 168-2291 | 295 | 1-C 7 | 172-4155 | 671 | 1-D 21 | 174-5774 | 1139 | 1-F 19 |
| 165-0420 | 409 | 1-C 18 | 168-2305 | 1057 | 1-F 11 | 172-4517 | 623 | 1-D 16 | 174-5788 | 1139 | 1-F 19 |
| 165-5973 | 229 | 1-B 24 | 168-2334 | 1049 | 1-F 10 | 172-4517 | 625 | 1-D 16 | 174-7449 | 473 | 1-D 1 |
| 165-5973 | 231 | 1-C 1 | 168-4558 | 485 | 1-D 2 | 172-4517 | 757 | 1-E 5 | 174-7872 | 1157 | 1-F 21 |
| 165-5973 | 233 | 1-C 1 | 168-4558 | 491 | 1-D 3 | 172-4518 | 819 | 1-E 11 | 174-8822 | 739 | 1-E 3 |
| 165-7901 | 837 | 1-E 13 | 168-4558 | 497 | 1-D 3 | 172-4518 | 841 | 1-E 14 | 174-9381 | 417 | 1-C 19 |
| 165-7901 | 843 | 1-E 14 | 168-6580 | 249 | 1-C 2 | 172-4519 | 821 | 1-E 12 | 174-9381 | 427 | 1-C 20 |
| 165-8537 | 897 | 1-E 19 | 168-6581 | 251 | 1-C 3 | 172-4519 | 843 | 1-E 14 | 174-9381 | 437 | 1-C 21 |
| 165-8537 | 899 | 1-E 19 | 168-7710 | 651 | 1-D 19 | 172-5333 | 81 | 1-B 10 | 174-9381 | 447 | 1-C 22 |
| 165-8537 | 901 | 1-E 20 | 169-0027 | 953 | 1-F 1 | 172-5333 | 83 | 1-B 10 | 174-9383 | 421 | 1-C 20 |
| 165-8537 | 903 | 1-E 20 | 169-0028 | 955 | 1-F 1 | 172-5333 | 85 | 1-B 10 | 174-9383 | 431 | 1-C 21 |
| 166-1211 | 333 | 1-C 11 | 169-6323 | 1153 | 1-F 21 | 172-5333 | 87 | 1-B 10 | 174-9383 | 441 | 1-C 22 |
| 166-1211 | 1091 | 1-F 15 | 169-6323 | 1155 | 1-F 21 | 172-5333 | 89 | 1-B 10 | 174-9383 | 451 | 1-C 23 |
| 166-1211 | 1093 | 1-F 15 | 169-6328 | 1149 | 1-F 20 | 172-5333 | 105 | 1-B 12 | 174-9407 | 417 | 1-C 19 |
| 166-1211 | 1099 | 1-F 15 | 169-6328 | 1151 | 1-F 21 | 172-5335 | 81 | 1-B 10 | 174-9407 | 427 | 1-C 20 |
| 166-1211 | 1101 | 1-F 16 | 169-6337 | 1053 | 1-F 11 | 172-5337 | 81 | 1-B 10 | 174-9407 | 437 | 1-C 21 |
| 166-1211 | 1107 | 1-F 16 | 169-6342 | 1139 | 1-F 19 | 172-5337 | 83 | 1-B 10 | 174-9407 | 447 | 1-C 22 |
| 166-1211 | 1109 | 1-F 16 | 169-6343 | 1139 | 1-F 19 | 172-5337 | 145 | 1-B 16 | 174-9410 | 417 | 1-C 19 |
| 166-3754 | 1025 | 1-F 8 | 169-6344 | 1139 | 1-F 19 | 172-6841 | 259 | 1-C 3 | 174-9410 | 427 | 1-C 20 |
| 166-3755 | 1025 | 1-F 8 | 169-6345 | 1141 | 1-F 20 | 172-6841 | 327 | 1-C 10 | 174-9410 | 437 | 1-C 21 |
| 166-4553 | 1049 | 1-F 10 | 169-6346 | 333 | 1-C 11 | 172-6842 | 1135 | 1-F 19 | 174-9410 | 447 | 1-C 22 |
| 166-4555 | 1025 | 1-F 8 | 169-6346 | 335 | 1-C 11 | 172-6844 | 1079 | 1-F 13 | 175-0198 | 1157 | 1-F 21 |
| 166-4556 | 997 | 1-F 5 | 169-6346 | 1047 | 1-F 10 | 172-6845 | 1079 | 1-F 13 | 175-3097 | 457 | 1-C 23 |
| 166-4556 | 999 | 1-F 5 | 169-6347 | 1047 | 1-F 10 | 172-6851 | 1035 | 1-F 9 | 175-3097 | 459 | 1-C 23 |
| 166-4556 | 1053 | 1-F 11 | 169-6347 | 1049 | 1-F 10 | 172-6852 | 1035 | 1-F 9 | 175-3097 | 461 | 1-C 24 |
| 166-4556 | 1055 | 1-F 11 | 169-6351 | 1115 | 1-F 17 | 172-6853 | 1035 | 1-F 9 | 175-3097 | 463 | 1-C 24 |
| 166-4558 | 1017 | 1-F 7 | 169-6362 | 1039 | 1-F 9 | 172-6857 | 707 | 1-D 24 | 175-3097 | 465 | 1-C 24 |
| 166-4558 | 1019 | 1-F 7 | 169-6362 | 1043 | 1-F 10 | 172-6857 | 1009 | 1-F 6 | 175-3097 | 467 | 1-C 24 |
| 166-4568 | 1149 | 1-F 20 | 169-6367 | 319 | 1-C 9 | 172-6857 | 1011 | 1-F 7 | 175-7513 | 639 | 1-D 17 |
| 166-4570 | 1149 | 1-F 20 | 169-6373 | 1053 | 1-F 11 | 172-6858 | 1035 | 1-F 9 | 176-0373 | 537 | 1-D 7 |
| 166-4586 | 997 | 1-F 5 | 169-6380 | 257 | 1-C 3 | 172-6863 | 1035 | 1-F 9 | 176-0374 | 537 | 1-D 7 |
| 166-4586 | 1031 | 1-F 9 | 169-6380 | 323 | 1-C 10 | 172-6864 | 1035 | 1-F 9 | 176-0379 | 235 | 1-C 1 |
| 166-4590 | 873 | 1-E 17 | 169-6383 | 1139 | 1-F 19 | 172-6865 | 1035 | 1-F 9 | 176-0380 | 235 | 1-C 1 |
| 166-4590 | 879 | 1-E 17 | 169-6384 | 1041 | 1-F 10 | 172-6869 | 1049 | 1-F 10 | 176-0997 | 529 | 1-D 6 |
| 166-4590 | 1043 | 1-F 10 | 169-6385 | 1025 | 1-F 8 | 172-7966 | 473 | 1-D 1 | 176-0997 | 531 | 1-D 7 |
| 166-4590 | 1099 | 1-F 15 | 169-6386 | 1025 | 1-F 8 | 172-7968 | 473 | 1-D 1 | 176-0998 | 529 | 1-D 6 |
| 166-4590 | 1101 | 1-F 16 | 169-6390 | 1023 | 1-F 8 | 172-8035 | 313 | 1-C 9 | 176-0998 | 531 | 1-D 7 |
| 166-4590 | 1103 | 1-F 16 | 169-6391 | 1035 | 1-F 9 | 172-8886 | 77 | 1-B 9 | 176-0999 | 529 | 1-D 6 |
| 166-4590 | 1105 | 1-F 16 | 169-6399 | 1149 | 1-F 20 | 172-8886 | 593 | 1-D 13 | 176-0999 | 531 | 1-D 7 |
| 166-4590 | 1107 | 1-F 16 | 169-6399 | 1151 | 1-F 21 | 173-2743 | 579 | 1-D 11 | 176-1001 | 529 | 1-D 6 |
| 166-4590 | 1109 | 1-F 16 | 169-8222 | 291 | 1-C 7 | 173-2744 | 579 | 1-D 11 | 176-1001 | 531 | 1-D 7 |
| 166-4590 | 1111 | 1-F 17 | 169-8223 | 247 | 1-C 2 | 173-4060 | 1215 | 1-G 3 | 176-1002 | 529 | 1-D 6 |
| 166-4590 | 1113 | 1-F 17 | 169-8225 | 351 | 1-C 13 | 173-5392 | 387 | 1-C 16 | 176-1002 | 531 | 1-D 7 |
| 166-4595 | 1053 | 1-F 11 | 169-8227 | 1035 | 1-F 9 | 173-5392 | 389 | 1-C 16 | 176-1377 | 417 | 1-C 19 |
| 166-4603 | 997 | 1-F 5 | 169-8228 | 333 | 1-C 11 | 173-5392 | 391 | 1-C 17 | 176-1377 | 421 | 1-C 20 |
| 166-4603 | 999 | 1-F 5 | 169-8228 | 335 | 1-C 11 | 173-5392 | 393 | 1-C 17 | 176-1377 | 427 | 1-C 20 |

MT800B SERIES TRACTORS

23
INDEX

| Part No. | Page | Grid | Part No. | Page | Grid | Part No. | Page | Grid | Part No. | Page | Grid |
|----------|------|--------|----------|------|--------|----------|------|--------|----------|------|--------|
| 176-1377 | 431 | 1-C 21 | 177-5248 | 387 | 1-C 16 | 177-6754 | 409 | 1-C 18 | 177-6804 | 491 | 1-D 3 |
| 176-1377 | 437 | 1-C 21 | 177-5248 | 393 | 1-C 17 | 177-6755 | 395 | 1-C 17 | 177-6804 | 497 | 1-D 3 |
| 176-1377 | 441 | 1-C 22 | 177-5248 | 401 | 1-C 18 | 177-6755 | 397 | 1-C 17 | 177-7107 | 569 | 1-D 10 |
| 176-1377 | 447 | 1-C 22 | 177-5248 | 403 | 1-C 18 | 177-6755 | 409 | 1-C 18 | 177-9555 | 739 | 1-E 3 |
| 176-1377 | 451 | 1-C 23 | 177-5249 | 387 | 1-C 16 | 177-6755 | 411 | 1-C 19 | 177-9778 | 165 | 1-B 18 |
| 176-2966 | 631 | 1-D 17 | 177-5249 | 389 | 1-C 16 | 177-6757 | 395 | 1-C 17 | 177-9945 | 671 | 1-D 21 |
| 176-2966 | 635 | 1-D 17 | 177-5249 | 391 | 1-C 17 | 177-6757 | 397 | 1-C 17 | 177-9945 | 675 | 1-D 21 |
| 176-2968 | 633 | 1-D 17 | 177-5249 | 393 | 1-C 17 | 177-6757 | 409 | 1-C 18 | 177-9946 | 623 | 1-D 16 |
| 176-2968 | 637 | 1-D 17 | 177-5249 | 395 | 1-C 17 | 177-6757 | 411 | 1-C 19 | 177-9946 | 625 | 1-D 16 |
| 177-0381 | 321 | 1-C 10 | 177-5249 | 397 | 1-C 17 | 177-6758 | 395 | 1-C 17 | 177-9946 | 675 | 1-D 21 |
| 177-0381 | 325 | 1-C 10 | 177-5249 | 401 | 1-C 18 | 177-6758 | 397 | 1-C 17 | 177-9947 | 623 | 1-D 16 |
| 177-0385 | 321 | 1-C 10 | 177-5249 | 403 | 1-C 18 | 177-6758 | 409 | 1-C 18 | 177-9948 | 619 | 1-D 15 |
| 177-0385 | 325 | 1-C 10 | 177-5249 | 405 | 1-C 18 | 177-6758 | 411 | 1-C 19 | 178-1202 | 631 | 1-D 17 |
| 177-0661 | 931 | 1-E 23 | 177-5249 | 407 | 1-C 18 | 177-6760 | 395 | 1-C 17 | 178-1202 | 633 | 1-D 17 |
| 177-0661 | 933 | 1-E 23 | 177-5249 | 409 | 1-C 18 | 177-6760 | 409 | 1-C 18 | 178-1202 | 635 | 1-D 17 |
| 177-1872 | 669 | 1-D 20 | 177-5249 | 411 | 1-C 19 | 177-6762 | 399 | 1-C 17 | 178-1202 | 637 | 1-D 17 |
| 177-4522 | 607 | 1-D 14 | 177-5250 | 387 | 1-C 16 | 177-6763 | 399 | 1-C 17 | 178-1203 | 631 | 1-D 17 |
| 177-4523 | 609 | 1-D 14 | 177-5250 | 393 | 1-C 17 | 177-6764 | 399 | 1-C 17 | 178-1203 | 633 | 1-D 17 |
| 177-4588 | 521 | 1-D 6 | 177-5250 | 401 | 1-C 18 | 177-6765 | 399 | 1-C 17 | 178-1203 | 635 | 1-D 17 |
| 177-4589 | 657 | 1-D 19 | 177-5250 | 403 | 1-C 18 | 177-6766 | 399 | 1-C 17 | 178-1203 | 637 | 1-D 17 |
| 177-5233 | 399 | 1-C 17 | 177-5252 | 387 | 1-C 16 | 177-6768 | 399 | 1-C 17 | 178-6238 | 1141 | 1-F 20 |
| 177-5233 | 469 | 1-C 24 | 177-5252 | 403 | 1-C 18 | 177-6769 | 397 | 1-C 17 | 178-7162 | 767 | 1-E 6 |
| 177-5234 | 453 | 1-C 23 | 177-5256 | 387 | 1-C 16 | 177-6769 | 411 | 1-C 19 | 178-7197 | 739 | 1-E 3 |
| 177-5234 | 469 | 1-C 24 | 177-5256 | 389 | 1-C 16 | 177-6770 | 393 | 1-C 17 | 178-7952 | 1089 | 1-F 14 |
| 177-5236 | 387 | 1-C 16 | 177-5256 | 403 | 1-C 18 | 177-6770 | 401 | 1-C 18 | 178-7953 | 1151 | 1-F 21 |
| 177-5236 | 389 | 1-C 16 | 177-5256 | 405 | 1-C 18 | 177-6771 | 395 | 1-C 17 | 178-7954 | 1151 | 1-F 21 |
| 177-5236 | 391 | 1-C 17 | 177-5257 | 387 | 1-C 16 | 177-6771 | 397 | 1-C 17 | 178-7957 | 321 | 1-C 10 |
| 177-5236 | 393 | 1-C 17 | 177-5257 | 389 | 1-C 16 | 177-6771 | 409 | 1-C 18 | 178-7957 | 325 | 1-C 10 |
| 177-5236 | 401 | 1-C 18 | 177-5257 | 393 | 1-C 17 | 177-6771 | 411 | 1-C 19 | 178-7974 | 1053 | 1-F 11 |
| 177-5236 | 403 | 1-C 18 | 177-5257 | 401 | 1-C 18 | 177-6774 | 381 | 1-C 16 | 178-8047 | 523 | 1-D 6 |
| 177-5236 | 405 | 1-C 18 | 177-5257 | 403 | 1-C 18 | 177-6774 | 383 | 1-C 16 | 178-8087 | 611 | 1-D 15 |
| 177-5236 | 407 | 1-C 18 | 177-5257 | 405 | 1-C 18 | 177-6775 | 381 | 1-C 16 | 178-9090 | 343 | 1-C 12 |
| 177-5241 | 387 | 1-C 16 | 177-5258 | 387 | 1-C 16 | 177-6775 | 383 | 1-C 16 | 178-9090 | 349 | 1-C 12 |
| 177-5241 | 389 | 1-C 16 | 177-5258 | 389 | 1-C 16 | 177-6781 | 453 | 1-C 23 | 178-9244 | 1115 | 1-F 17 |
| 177-5241 | 391 | 1-C 17 | 177-5258 | 391 | 1-C 17 | 177-6782 | 453 | 1-C 23 | 178-9245 | 1115 | 1-F 17 |
| 177-5241 | 393 | 1-C 17 | 177-5258 | 393 | 1-C 17 | 177-6783 | 453 | 1-C 23 | 179-0851 | 951 | 1-F 1 |
| 177-5241 | 395 | 1-C 17 | 177-5258 | 395 | 1-C 17 | 177-6784 | 453 | 1-C 23 | 179-0852 | 957 | 1-F 1 |
| 177-5241 | 397 | 1-C 17 | 177-5258 | 397 | 1-C 17 | 177-6795 | 395 | 1-C 17 | 179-0853 | 67 | 1-B 8 |
| 177-5241 | 401 | 1-C 18 | 177-5258 | 401 | 1-C 18 | 177-6795 | 409 | 1-C 18 | 179-0853 | 69 | 1-B 8 |
| 177-5241 | 403 | 1-C 18 | 177-5258 | 403 | 1-C 18 | 177-6797 | 387 | 1-C 16 | 179-0853 | 71 | 1-B 9 |
| 177-5241 | 405 | 1-C 18 | 177-5258 | 405 | 1-C 18 | 177-6797 | 389 | 1-C 16 | 179-0853 | 73 | 1-B 9 |
| 177-5241 | 407 | 1-C 18 | 177-5258 | 407 | 1-C 18 | 177-6797 | 391 | 1-C 17 | 179-0853 | 75 | 1-B 9 |
| 177-5241 | 409 | 1-C 18 | 177-5258 | 409 | 1-C 18 | 177-6797 | 393 | 1-C 17 | 179-0853 | 929 | 1-E 22 |
| 177-5241 | 411 | 1-C 19 | 177-5258 | 411 | 1-C 19 | 177-6797 | 397 | 1-C 17 | 179-1953 | 77 | 1-B 9 |
| 177-5241 | 485 | 1-D 2 | 177-5260 | 387 | 1-C 16 | 177-6797 | 401 | 1-C 18 | 179-1953 | 79 | 1-B 9 |
| 177-5241 | 491 | 1-D 3 | 177-5260 | 403 | 1-C 18 | 177-6797 | 403 | 1-C 18 | 179-1953 | 505 | 1-D 4 |
| 177-5241 | 497 | 1-D 3 | 177-5263 | 389 | 1-C 16 | 177-6797 | 405 | 1-C 18 | 179-1954 | 505 | 1-D 4 |
| 177-5243 | 387 | 1-C 16 | 177-5263 | 405 | 1-C 18 | 177-6797 | 407 | 1-C 18 | 179-1954 | 535 | 1-D 7 |
| 177-5243 | 389 | 1-C 16 | 177-5265 | 389 | 1-C 16 | 177-6797 | 411 | 1-C 19 | 179-2182 | 173 | 1-B 19 |
| 177-5243 | 391 | 1-C 17 | 177-5265 | 405 | 1-C 18 | 177-6797 | 485 | 1-D 2 | 179-2182 | 505 | 1-D 4 |
| 177-5243 | 393 | 1-C 17 | 177-5267 | 389 | 1-C 16 | 177-6797 | 491 | 1-D 3 | 179-2185 | 77 | 1-B 9 |
| 177-5243 | 397 | 1-C 17 | 177-5267 | 395 | 1-C 17 | 177-6797 | 497 | 1-D 3 | 179-2185 | 1191 | 1-G 1 |
| 177-5243 | 401 | 1-C 18 | 177-5267 | 405 | 1-C 18 | 177-6800 | 381 | 1-C 16 | 179-2185 | 1193 | 1-G 1 |
| 177-5243 | 403 | 1-C 18 | 177-5267 | 409 | 1-C 18 | 177-6800 | 383 | 1-C 16 | 179-2185 | 1195 | 1-G 1 |
| 177-5243 | 405 | 1-C 18 | 177-5269 | 393 | 1-C 17 | 177-6801 | 387 | 1-C 16 | 179-2185 | 1197 | 1-G 1 |
| 177-5243 | 407 | 1-C 18 | 177-5269 | 401 | 1-C 18 | 177-6801 | 389 | 1-C 16 | 179-2185 | 1199 | 1-G 1 |
| 177-5243 | 411 | 1-C 19 | 177-5270 | 393 | 1-C 17 | 177-6801 | 393 | 1-C 17 | 179-2185 | 1201 | 1-G 2 |
| 177-5243 | 485 | 1-D 2 | 177-5270 | 401 | 1-C 18 | 177-6801 | 395 | 1-C 17 | 179-2261 | 79 | 1-B 9 |
| 177-5243 | 491 | 1-D 3 | 177-6738 | 395 | 1-C 17 | 177-6801 | 401 | 1-C 18 | 179-2261 | 1173 | 1-F 23 |
| 177-5243 | 497 | 1-D 3 | 177-6738 | 397 | 1-C 17 | 177-6801 | 403 | 1-C 18 | 179-2261 | 1175 | 1-F 23 |
| 177-5246 | 387 | 1-C 16 | 177-6738 | 409 | 1-C 18 | 177-6801 | 405 | 1-C 18 | 179-2261 | 1177 | 1-F 23 |
| 177-5246 | 389 | 1-C 16 | 177-6738 | 411 | 1-C 19 | 177-6801 | 409 | 1-C 18 | 179-2261 | 1179 | 1-F 23 |
| 177-5246 | 391 | 1-C 17 | 177-6739 | 395 | 1-C 17 | 177-6802 | 391 | 1-C 17 | 179-2261 | 1181 | 1-F 24 |
| 177-5246 | 393 | 1-C 17 | 177-6739 | 409 | 1-C 18 | 177-6802 | 407 | 1-C 18 | 179-2261 | 1183 | 1-F 24 |
| 177-5246 | 395 | 1-C 17 | 177-6740 | 395 | 1-C 17 | 177-6804 | 387 | 1-C 16 | 179-2261 | 1185 | 1-F 24 |
| 177-5246 | 397 | 1-C 17 | 177-6740 | 409 | 1-C 18 | 177-6804 | 389 | 1-C 16 | 179-2261 | 1187 | 1-F 24 |
| 177-5246 | 401 | 1-C 18 | 177-6741 | 381 | 1-C 16 | 177-6804 | 391 | 1-C 17 | 179-2261 | 1189 | 1-F 24 |
| 177-5246 | 403 | 1-C 18 | 177-6741 | 383 | 1-C 16 | 177-6804 | 393 | 1-C 17 | 179-2886 | 91 | 1-B 11 |
| 177-5246 | 405 | 1-C 18 | 177-6743 | 395 | 1-C 17 | 177-6804 | 397 | 1-C 17 | 179-2887 | 91 | 1-B 11 |
| 177-5246 | 407 | 1-C 18 | 177-6743 | 409 | 1-C 18 | 177-6804 | 401 | 1-C 18 | 179-2957 | 1139 | 1-F 19 |
| 177-5246 | 409 | 1-C 18 | 177-6747 | 395 | 1-C 17 | 177-6804 | 403 | 1-C 18 | 179-3317 | 953 | 1-F 1 |
| 177-5246 | 411 | 1-C 19 | 177-6747 | 409 | 1-C 18 | 177-6804 | 405 | 1-C 18 | 179-3317 | 957 | 1-F 1 |
| 177-5246 | 485 | 1-D 2 | 177-6752 | 395 | 1-C 17 | 177-6804 | 407 | 1-C 18 | 179-3317 | 961 | 1-F 2 |
| 177-5246 | 491 | 1-D 3 | 177-6752 | 409 | 1-C 18 | 177-6804 | 411 | 1-C 19 | 179-3317 | 965 | 1-F 2 |
| 177-5246 | 497 | 1-D 3 | 177-6754 | 395 | 1-C 17 | 177-6804 | 485 | 1-D 2 | 179-3318 | 931 | 1-E 23 |

INDEX

| Part No. | Page | Grid | Part No. | Page | Grid | Part No. | Page | Grid | Part No. | Page | Grid |
|----------|------|--------|----------|------|--------|----------|------|--------|----------|------|--------|
| 179-3318 | 953 | 1-F 1 | 180-1438 | 873 | 1-E 17 | 180-4502 | 451 | 1-C 23 | 183-4131 | 535 | 1-D 7 |
| 179-3318 | 957 | 1-F 1 | 180-1667 | 729 | 1-E 2 | 180-4505 | 417 | 1-C 19 | 183-4132 | 535 | 1-D 7 |
| 179-3318 | 961 | 1-F 2 | 180-1667 | 733 | 1-E 3 | 180-4505 | 421 | 1-C 20 | 183-4145 | 535 | 1-D 7 |
| 179-4203 | 1083 | 1-F 14 | 180-2519 | 729 | 1-E 2 | 180-4505 | 427 | 1-C 20 | 183-4241 | 731 | 1-E 3 |
| 179-4203 | 1085 | 1-F 14 | 180-2519 | 733 | 1-E 3 | 180-4505 | 431 | 1-C 21 | 183-4241 | 735 | 1-E 3 |
| 179-4204 | 325 | 1-C 10 | 180-2825 | 1139 | 1-F 19 | 180-4505 | 437 | 1-C 21 | 183-4396 | 937 | 1-E 23 |
| 179-4206 | 1023 | 1-F 8 | 180-2924 | 81 | 1-B 10 | 180-4505 | 441 | 1-C 22 | 183-4396 | 953 | 1-F 1 |
| 179-4207 | 553 | 1-D 9 | 180-2924 | 83 | 1-B 10 | 180-4505 | 447 | 1-C 22 | 183-4396 | 955 | 1-F 1 |
| 179-4207 | 555 | 1-D 9 | 180-2924 | 85 | 1-B 10 | 180-4505 | 451 | 1-C 23 | 183-4396 | 957 | 1-F 1 |
| 179-4207 | 1023 | 1-F 8 | 180-2924 | 87 | 1-B 10 | 180-5237 | 1023 | 1-F 8 | 183-4396 | 959 | 1-F 1 |
| 179-4221 | 1053 | 1-F 11 | 180-2924 | 89 | 1-B 10 | 180-5239 | 1055 | 1-F 11 | 183-4396 | 961 | 1-F 2 |
| 179-4223 | 1053 | 1-F 11 | 180-2924 | 285 | 1-C 6 | 180-5244 | 321 | 1-C 10 | 183-4396 | 963 | 1-F 1 |
| 179-4225 | 1053 | 1-F 11 | 180-3667 | 633 | 1-D 17 | 180-5244 | 325 | 1-C 10 | 183-4470 | 621 | 1-D 16 |
| 179-4227 | 1035 | 1-F 9 | 180-3667 | 637 | 1-D 17 | 180-5485 | 739 | 1-E 3 | 183-4470 | 625 | 1-D 16 |
| 179-6897 | 707 | 1-D 24 | 180-3669 | 631 | 1-D 17 | 180-5932 | 669 | 1-D 20 | 183-4470 | 629 | 1-D 16 |
| 179-6899 | 707 | 1-D 24 | 180-3669 | 635 | 1-D 17 | 180-5932 | 671 | 1-D 21 | 183-4470 | 985 | 1-F 4 |
| 179-6901 | 707 | 1-D 24 | 180-4036 | 925 | 1-E 22 | 180-6240 | 1051 | 1-F 11 | 183-4470 | 987 | 1-F 4 |
| 179-8220 | 1025 | 1-F 8 | 180-4036 | 943 | 1-E 24 | 180-6639 | 959 | 1-F 1 | 183-5789 | 577 | 1-D 11 |
| 179-8664 | 823 | 1-E 12 | 180-4036 | 951 | 1-F 1 | 180-6640 | 933 | 1-E 23 | 183-6384 | 77 | 1-B 9 |
| 179-9006 | 417 | 1-C 19 | 180-4038 | 929 | 1-E 22 | 180-6640 | 955 | 1-F 1 | 183-6384 | 79 | 1-B 9 |
| 179-9006 | 421 | 1-C 20 | 180-4038 | 991 | 1-F 5 | 180-6640 | 959 | 1-F 1 | 183-6384 | 591 | 1-D 13 |
| 179-9006 | 427 | 1-C 20 | 180-4039 | 923 | 1-E 22 | 180-6640 | 963 | 1-F 2 | 183-7892 | 579 | 1-D 11 |
| 179-9006 | 431 | 1-C 21 | 180-4039 | 925 | 1-E 22 | 180-7174 | 769 | 1-E 6 | 183-7894 | 579 | 1-D 11 |
| 179-9006 | 437 | 1-C 21 | 180-4039 | 929 | 1-E 22 | 180-8369 | 489 | 1-D 2 | 183-8600 | 669 | 1-D 20 |
| 179-9006 | 441 | 1-C 22 | 180-4039 | 951 | 1-F 1 | 180-8369 | 495 | 1-D 3 | 183-8600 | 671 | 1-D 21 |
| 179-9006 | 447 | 1-C 22 | 180-4376 | 415 | 1-C 19 | 180-8369 | 501 | 1-D 4 | 183-9281 | 1169 | 1-F 22 |
| 179-9006 | 451 | 1-C 23 | 180-4376 | 417 | 1-C 19 | 180-8378 | 485 | 1-D 2 | 184-0790 | 631 | 1-D 17 |
| 179-9007 | 457 | 1-C 23 | 180-4376 | 419 | 1-C 19 | 180-8378 | 491 | 1-D 3 | 184-0790 | 633 | 1-D 17 |
| 179-9007 | 459 | 1-C 23 | 180-4376 | 421 | 1-C 20 | 180-8378 | 497 | 1-D 3 | 184-1693 | 417 | 1-C 19 |
| 179-9007 | 461 | 1-C 24 | 180-4376 | 423 | 1-C 20 | 180-8382 | 485 | 1-D 2 | 184-1693 | 421 | 1-C 20 |
| 179-9007 | 463 | 1-C 24 | 180-4376 | 425 | 1-C 20 | 180-8382 | 491 | 1-D 3 | 184-1693 | 427 | 1-C 20 |
| 179-9471 | 457 | 1-C 23 | 180-4376 | 427 | 1-C 20 | 180-8382 | 497 | 1-D 3 | 184-1693 | 431 | 1-C 21 |
| 179-9471 | 459 | 1-C 23 | 180-4376 | 429 | 1-C 20 | 180-8385 | 485 | 1-D 2 | 184-1693 | 437 | 1-C 21 |
| 179-9471 | 461 | 1-C 24 | 180-4376 | 431 | 1-C 21 | 180-8385 | 491 | 1-D 3 | 184-1693 | 441 | 1-C 22 |
| 179-9471 | 463 | 1-C 24 | 180-4376 | 433 | 1-C 21 | 180-8385 | 497 | 1-D 3 | 184-1693 | 447 | 1-C 22 |
| 179-9476 | 457 | 1-C 23 | 180-4376 | 435 | 1-C 21 | 180-8393 | 485 | 1-D 2 | 184-1693 | 451 | 1-C 23 |
| 179-9476 | 459 | 1-C 23 | 180-4376 | 437 | 1-C 21 | 180-8393 | 491 | 1-D 3 | 184-1694 | 417 | 1-C 19 |
| 179-9476 | 461 | 1-C 24 | 180-4376 | 439 | 1-C 21 | 180-8393 | 497 | 1-D 3 | 184-1694 | 427 | 1-C 20 |
| 179-9476 | 463 | 1-C 24 | 180-4376 | 441 | 1-C 22 | 180-8395 | 485 | 1-D 2 | 184-1694 | 437 | 1-C 21 |
| 179-9477 | 457 | 1-C 23 | 180-4376 | 443 | 1-C 22 | 180-8395 | 491 | 1-D 3 | 184-1694 | 447 | 1-C 22 |
| 179-9477 | 459 | 1-C 23 | 180-4376 | 445 | 1-C 22 | 180-8395 | 497 | 1-D 3 | 184-1695 | 417 | 1-C 19 |
| 179-9477 | 461 | 1-C 24 | 180-4376 | 447 | 1-C 22 | 180-8428 | 417 | 1-C 19 | 184-1695 | 421 | 1-C 20 |
| 179-9477 | 463 | 1-C 24 | 180-4376 | 449 | 1-C 22 | 180-8428 | 427 | 1-C 20 | 184-1695 | 427 | 1-C 20 |
| 179-9478 | 457 | 1-C 23 | 180-4376 | 451 | 1-C 23 | 180-8428 | 437 | 1-C 21 | 184-1695 | 431 | 1-C 21 |
| 179-9478 | 459 | 1-C 23 | 180-4376 | 475 | 1-D 1 | 180-8428 | 447 | 1-C 22 | 184-1695 | 437 | 1-C 21 |
| 179-9478 | 461 | 1-C 24 | 180-4376 | 477 | 1-D 1 | 180-8431 | 465 | 1-C 24 | 184-1695 | 441 | 1-C 22 |
| 179-9478 | 463 | 1-C 24 | 180-4376 | 479 | 1-D 1 | 180-8431 | 467 | 1-C 24 | 184-1695 | 447 | 1-C 22 |
| 179-9479 | 457 | 1-C 23 | 180-4376 | 481 | 1-D 2 | 180-9214 | 315 | 1-C 9 | 184-1695 | 451 | 1-C 23 |
| 179-9479 | 459 | 1-C 23 | 180-4379 | 421 | 1-C 20 | 180-9966 | 1017 | 1-F 7 | 184-1695 | 1217 | 1-G 3 |
| 179-9479 | 475 | 1-D 1 | 180-4379 | 431 | 1-C 21 | 180-9966 | 1019 | 1-F 7 | 184-1696 | 417 | 1-C 19 |
| 179-9479 | 479 | 1-D 1 | 180-4379 | 441 | 1-C 22 | 183-2197 | 625 | 1-D 16 | 184-1696 | 421 | 1-C 20 |
| 179-9480 | 461 | 1-C 24 | 180-4379 | 451 | 1-C 23 | 183-2198 | 621 | 1-D 16 | 184-1696 | 427 | 1-C 20 |
| 179-9480 | 463 | 1-C 24 | 180-4381 | 421 | 1-C 20 | 183-2317 | 413 | 1-C 19 | 184-1696 | 431 | 1-C 21 |
| 179-9480 | 477 | 1-D 1 | 180-4381 | 431 | 1-C 21 | 183-3411 | 417 | 1-C 19 | 184-1696 | 437 | 1-C 21 |
| 179-9480 | 481 | 1-D 2 | 180-4381 | 441 | 1-C 22 | 183-3411 | 427 | 1-C 20 | 184-1696 | 441 | 1-C 22 |
| 179-9488 | 457 | 1-C 23 | 180-4381 | 451 | 1-C 23 | 183-3411 | 437 | 1-C 21 | 184-1696 | 447 | 1-C 22 |
| 179-9488 | 459 | 1-C 23 | 180-4382 | 421 | 1-C 20 | 183-3411 | 447 | 1-C 22 | 184-1696 | 451 | 1-C 23 |
| 179-9488 | 461 | 1-C 24 | 180-4382 | 431 | 1-C 21 | 183-3413 | 417 | 1-C 19 | 184-1697 | 421 | 1-C 20 |
| 179-9488 | 463 | 1-C 24 | 180-4382 | 441 | 1-C 22 | 183-3413 | 427 | 1-C 20 | 184-1697 | 431 | 1-C 21 |
| 180-0184 | 841 | 1-E 14 | 180-4382 | 451 | 1-C 23 | 183-3413 | 437 | 1-C 21 | 184-1697 | 441 | 1-C 22 |
| 180-0185 | 67 | 1-B 8 | 180-4384 | 421 | 1-C 20 | 183-3413 | 447 | 1-C 22 | 184-1697 | 451 | 1-C 23 |
| 180-0185 | 69 | 1-B 8 | 180-4384 | 431 | 1-C 21 | 183-3414 | 417 | 1-C 19 | 184-1704 | 1139 | 1-F 19 |
| 180-0185 | 71 | 1-B 9 | 180-4384 | 441 | 1-C 22 | 183-3414 | 427 | 1-C 20 | 184-2472 | 343 | 1-C 12 |
| 180-0185 | 73 | 1-B 9 | 180-4384 | 451 | 1-C 23 | 183-3414 | 437 | 1-C 21 | 184-4356 | 665 | 1-D 20 |
| 180-0185 | 75 | 1-B 9 | 180-4387 | 421 | 1-C 20 | 183-3414 | 447 | 1-C 22 | 184-4356 | 667 | 1-D 20 |
| 180-0185 | 843 | 1-E 14 | 180-4387 | 431 | 1-C 21 | 183-3415 | 421 | 1-C 20 | 184-5033 | 925 | 1-E 22 |
| 180-0494 | 871 | 1-E 17 | 180-4387 | 441 | 1-C 22 | 183-3415 | 431 | 1-C 21 | 184-5035 | 925 | 1-E 22 |
| 180-0495 | 873 | 1-E 17 | 180-4387 | 451 | 1-C 23 | 183-3415 | 441 | 1-C 22 | 184-5035 | 927 | 1-E 22 |
| 180-0495 | 891 | 1-E 19 | 180-4502 | 417 | 1-C 19 | 183-3415 | 451 | 1-C 23 | 184-5035 | 981 | 1-F 4 |
| 180-0500 | 883 | 1-E 18 | 180-4502 | 421 | 1-C 20 | 183-3416 | 421 | 1-C 20 | 184-5042 | 943 | 1-E 24 |
| 180-0500 | 885 | 1-E 18 | 180-4502 | 427 | 1-C 20 | 183-3416 | 431 | 1-C 21 | 184-5049 | 943 | 1-E 24 |
| 180-0503 | 925 | 1-E 22 | 180-4502 | 431 | 1-C 21 | 183-3416 | 441 | 1-C 22 | 184-5051 | 943 | 1-E 24 |
| 180-0503 | 927 | 1-E 22 | 180-4502 | 437 | 1-C 21 | 183-3416 | 451 | 1-C 23 | 184-5053 | 943 | 1-E 24 |
| 180-0503 | 973 | 1-F 3 | 180-4502 | 441 | 1-C 22 | 183-3902 | 413 | 1-C 19 | 184-5055 | 943 | 1-E 24 |
| 180-1434 | 871 | 1-E 17 | 180-4502 | 447 | 1-C 22 | 183-4130 | 535 | 1-D 7 | 184-5060 | 943 | 1-E 24 |

MT800B SERIES TRACTORS

25
INDEX

| Part No. | Page | Grid | Part No. | Page | Grid | Part No. | Page | Grid | Part No. | Page | Grid |
|----------|------|--------|----------|------|--------|----------|------|--------|----------|------|--------|
| 184-5062 | 943 | 1-E 24 | 185-9769 | 739 | 1-E 3 | 187-1791 | 87 | 1-B 10 | 187-8947 | 1217 | 1-G 3 |
| 184-5062 | 945 | 1-E 24 | 185-9771 | 739 | 1-E 3 | 187-1791 | 89 | 1-B 10 | 187-9009 | 91 | 1-B 11 |
| 184-5063 | 977 | 1-F 3 | 185-9774 | 739 | 1-E 3 | 187-1791 | 99 | 1-B 11 | 187-9009 | 95 | 1-B 11 |
| 184-5065 | 955 | 1-F 1 | 186-0342 | 897 | 1-E 19 | 187-1792 | 81 | 1-B 10 | 187-9012 | 729 | 1-E 2 |
| 184-5065 | 959 | 1-F 1 | 186-0346 | 897 | 1-E 19 | 187-1792 | 83 | 1-B 10 | 187-9012 | 733 | 1-E 3 |
| 184-5065 | 963 | 1-F 2 | 186-0346 | 899 | 1-E 19 | 187-1792 | 85 | 1-B 10 | 187-9020 | 731 | 1-E 3 |
| 184-5065 | 967 | 1-F 2 | 186-0346 | 901 | 1-E 20 | 187-1792 | 87 | 1-B 10 | 187-9020 | 735 | 1-E 3 |
| 184-5329 | 515 | 1-D 5 | 186-0370 | 901 | 1-E 20 | 187-1792 | 89 | 1-B 10 | 188-0452 | 555 | 1-D 9 |
| 184-5337 | 571 | 1-D 11 | 186-0372 | 897 | 1-E 19 | 187-1792 | 107 | 1-B 12 | 188-0452 | 559 | 1-D 9 |
| 184-5338 | 715 | 1-E 1 | 186-0372 | 899 | 1-E 19 | 187-3185 | 739 | 1-E 3 | 188-0453 | 555 | 1-D 9 |
| 184-5338 | 721 | 1-E 2 | 186-0373 | 897 | 1-E 19 | 187-3367 | 415 | 1-C 19 | 188-0453 | 559 | 1-D 9 |
| 184-5352 | 721 | 1-E 2 | 186-0373 | 899 | 1-E 19 | 187-3367 | 423 | 1-C 20 | 188-0497 | 585 | 1-D 12 |
| 184-5356 | 511 | 1-D 5 | 186-0373 | 901 | 1-E 20 | 187-3367 | 433 | 1-C 21 | 188-0514 | 553 | 1-D 9 |
| 184-5356 | 513 | 1-D 5 | 186-0377 | 897 | 1-E 19 | 187-3367 | 443 | 1-C 22 | 188-0514 | 557 | 1-D 9 |
| 184-5356 | 515 | 1-D 5 | 186-0466 | 537 | 1-D 7 | 187-3368 | 415 | 1-C 19 | 188-0564 | 555 | 1-D 9 |
| 184-5356 | 517 | 1-D 5 | 186-0979 | 961 | 1-F 2 | 187-3368 | 423 | 1-C 20 | 188-0564 | 559 | 1-D 9 |
| 184-5356 | 519 | 1-D 5 | 186-0983 | 977 | 1-F 3 | 187-3368 | 433 | 1-C 21 | 188-0568 | 557 | 1-D 9 |
| 184-5356 | 571 | 1-D 11 | 186-0994 | 943 | 1-E 24 | 187-3368 | 443 | 1-C 22 | 188-0632 | 415 | 1-C 19 |
| 184-5357 | 67 | 1-B 8 | 186-0994 | 945 | 1-E 24 | 187-3369 | 415 | 1-C 19 | 188-0632 | 423 | 1-C 20 |
| 184-5357 | 69 | 1-B 8 | 186-0995 | 943 | 1-E 24 | 187-3369 | 423 | 1-C 20 | 188-0632 | 433 | 1-C 21 |
| 184-5357 | 71 | 1-B 9 | 186-0995 | 945 | 1-E 24 | 187-3369 | 433 | 1-C 21 | 188-0632 | 443 | 1-C 22 |
| 184-5357 | 73 | 1-B 9 | 186-1000 | 935 | 1-E 23 | 187-3369 | 443 | 1-C 22 | 188-0633 | 415 | 1-C 19 |
| 184-5357 | 75 | 1-B 9 | 186-1020 | 977 | 1-F 3 | 187-3370 | 415 | 1-C 19 | 188-0633 | 423 | 1-C 20 |
| 184-5357 | 519 | 1-D 5 | 186-1063 | 965 | 1-F 2 | 187-3370 | 423 | 1-C 20 | 188-0633 | 433 | 1-C 21 |
| 184-6718 | 643 | 1-D 18 | 186-1063 | 967 | 1-F 2 | 187-3370 | 433 | 1-C 21 | 188-0633 | 443 | 1-C 22 |
| 184-6718 | 645 | 1-D 18 | 186-1063 | 989 | 1-F 4 | 187-3370 | 443 | 1-C 22 | 188-0635 | 417 | 1-C 19 |
| 184-6718 | 647 | 1-D 18 | 186-1064 | 989 | 1-F 4 | 187-3371 | 415 | 1-C 19 | 188-0635 | 421 | 1-C 20 |
| 184-6718 | 649 | 1-D 18 | 186-1071 | 945 | 1-E 24 | 187-3371 | 423 | 1-C 20 | 188-0635 | 427 | 1-C 20 |
| 184-6718 | 659 | 1-D 19 | 186-1077 | 945 | 1-E 24 | 187-3371 | 433 | 1-C 21 | 188-0635 | 431 | 1-C 21 |
| 184-7976 | 591 | 1-D 13 | 186-1078 | 945 | 1-E 24 | 187-3371 | 443 | 1-C 22 | 188-0635 | 437 | 1-C 21 |
| 184-7977 | 591 | 1-D 13 | 186-1090 | 965 | 1-F 2 | 187-3372 | 415 | 1-C 19 | 188-0635 | 441 | 1-C 22 |
| 184-7978 | 591 | 1-D 13 | 186-1090 | 967 | 1-F 2 | 187-3372 | 423 | 1-C 20 | 188-0635 | 447 | 1-C 22 |
| 184-7979 | 591 | 1-D 13 | 186-1090 | 977 | 1-F 3 | 187-3372 | 433 | 1-C 21 | 188-0635 | 451 | 1-C 23 |
| 184-7980 | 591 | 1-D 13 | 186-1091 | 965 | 1-F 2 | 187-3372 | 443 | 1-C 22 | 188-0762 | 585 | 1-D 12 |
| 184-7985 | 591 | 1-D 13 | 186-1091 | 967 | 1-F 2 | 187-3373 | 415 | 1-C 19 | 188-0763 | 585 | 1-D 12 |
| 185-2151 | 1115 | 1-F 17 | 186-1091 | 979 | 1-F 3 | 187-3373 | 423 | 1-C 20 | 188-0764 | 585 | 1-D 12 |
| 185-2151 | 1217 | 1-G 3 | 186-1093 | 977 | 1-F 3 | 187-3373 | 433 | 1-C 21 | 188-0765 | 585 | 1-D 12 |
| 185-2240 | 81 | 1-B 10 | 186-1095 | 977 | 1-F 3 | 187-3373 | 443 | 1-C 22 | 188-0766 | 585 | 1-D 12 |
| 185-2240 | 83 | 1-B 10 | 186-2427 | 79 | 1-B 9 | 187-3374 | 415 | 1-C 19 | 188-0768 | 585 | 1-D 12 |
| 185-2240 | 85 | 1-B 10 | 186-2427 | 533 | 1-D 7 | 187-3374 | 423 | 1-C 20 | 188-0769 | 585 | 1-D 12 |
| 185-2240 | 87 | 1-B 10 | 186-2867 | 417 | 1-C 19 | 187-3374 | 433 | 1-C 21 | 188-0771 | 179 | 1-B 19 |
| 185-2240 | 89 | 1-B 10 | 186-2867 | 427 | 1-C 20 | 187-3374 | 443 | 1-C 22 | 188-0773 | 583 | 1-D 12 |
| 185-2240 | 109 | 1-B 12 | 186-2867 | 437 | 1-C 21 | 187-4896 | 295 | 1-C 7 | 188-0774 | 585 | 1-D 12 |
| 185-3955 | 373 | 1-C 15 | 186-2867 | 447 | 1-C 22 | 187-4906 | 1053 | 1-F 11 | 188-0775 | 585 | 1-D 12 |
| 185-3955 | 475 | 1-D 1 | 186-2868 | 415 | 1-C 19 | 187-4921 | 1053 | 1-F 11 | 188-0776 | 585 | 1-D 12 |
| 185-3956 | 375 | 1-C 15 | 186-2868 | 423 | 1-C 20 | 187-4930 | 475 | 1-D 1 | 188-0777 | 583 | 1-D 12 |
| 185-3956 | 477 | 1-D 1 | 186-2868 | 433 | 1-C 21 | 187-4930 | 477 | 1-D 1 | 188-0778 | 583 | 1-D 12 |
| 185-3957 | 377 | 1-C 15 | 186-2868 | 443 | 1-C 22 | 187-4930 | 485 | 1-D 2 | 188-0779 | 583 | 1-D 12 |
| 185-3957 | 479 | 1-D 1 | 186-2869 | 417 | 1-C 19 | 187-4930 | 487 | 1-D 2 | 188-1155 | 1209 | 1-G 2 |
| 185-3958 | 379 | 1-C 15 | 186-2869 | 427 | 1-C 20 | 187-4930 | 489 | 1-D 2 | 188-2162 | 381 | 1-C 16 |
| 185-3958 | 481 | 1-D 2 | 186-2869 | 437 | 1-C 21 | 187-4930 | 491 | 1-D 3 | 188-2162 | 383 | 1-C 16 |
| 185-4422 | 421 | 1-C 20 | 186-2869 | 447 | 1-C 22 | 187-4930 | 493 | 1-D 3 | 188-3642 | 895 | 1-E 19 |
| 185-4422 | 431 | 1-C 21 | 186-2869 | 1217 | 1-G 3 | 187-4930 | 495 | 1-D 3 | 188-7731 | 489 | 1-D 2 |
| 185-4422 | 441 | 1-C 22 | 186-3735 | 239 | 1-C 1 | 187-4930 | 497 | 1-D 3 | 188-7731 | 495 | 1-D 3 |
| 185-4422 | 451 | 1-C 23 | 186-3735 | 279 | 1-C 5 | 187-4930 | 499 | 1-D 3 | 188-7731 | 501 | 1-D 4 |
| 185-4423 | 421 | 1-C 20 | 186-3735 | 339 | 1-C 11 | 187-4930 | 501 | 1-D 4 | 188-9912 | 381 | 1-C 16 |
| 185-4423 | 431 | 1-C 21 | 186-3735 | 341 | 1-C 12 | 187-5245 | 739 | 1-E 3 | 188-9912 | 383 | 1-C 16 |
| 185-4423 | 441 | 1-C 22 | 186-3736 | 281 | 1-C 6 | 187-5246 | 739 | 1-E 3 | 189-1711 | 631 | 1-D 17 |
| 185-4423 | 451 | 1-C 23 | 186-5431 | 173 | 1-B 19 | 187-6226 | 395 | 1-C 17 | 189-1711 | 633 | 1-D 17 |
| 185-8617 | 361 | 1-C 14 | 186-5431 | 583 | 1-D 12 | 187-6226 | 397 | 1-C 17 | 189-2089 | 417 | 1-C 19 |
| 185-8688 | 507 | 1-D 4 | 186-5431 | 585 | 1-D 12 | 187-6226 | 409 | 1-C 18 | 189-2089 | 421 | 1-C 20 |
| 185-8690 | 509 | 1-D 4 | 186-5431 | 587 | 1-D 12 | 187-6226 | 411 | 1-C 19 | 189-2089 | 427 | 1-C 20 |
| 185-8699 | 771 | 1-E 7 | 186-5432 | 173 | 1-B 19 | 187-7430 | 887 | 1-E 18 | 189-2089 | 431 | 1-C 21 |
| 185-8701 | 773 | 1-E 7 | 186-5432 | 177 | 1-B 19 | 187-7430 | 889 | 1-E 18 | 189-2089 | 437 | 1-C 21 |
| 185-8720 | 525 | 1-D 6 | 187-1062 | 585 | 1-D 12 | 187-7430 | 891 | 1-E 19 | 189-2089 | 441 | 1-C 22 |
| 185-8737 | 479 | 1-D 1 | 187-1069 | 585 | 1-D 12 | 187-7430 | 893 | 1-E 19 | 189-2089 | 447 | 1-C 22 |
| 185-8737 | 481 | 1-D 2 | 187-1376 | 381 | 1-C 16 | 187-8141 | 497 | 1-D 3 | 189-2089 | 451 | 1-C 23 |
| 185-8737 | 483 | 1-D 2 | 187-1376 | 383 | 1-C 16 | 187-8142 | 499 | 1-D 3 | 189-2976 | 621 | 1-D 16 |
| 185-8787 | 79 | 1-B 9 | 187-1377 | 415 | 1-C 19 | 187-8609 | 79 | 1-B 9 | 189-2976 | 625 | 1-D 16 |
| 185-8787 | 717 | 1-E 1 | 187-1377 | 423 | 1-C 20 | 187-8609 | 539 | 1-D 7 | 189-2976 | 629 | 1-D 16 |
| 185-8787 | 719 | 1-E 1 | 187-1377 | 433 | 1-C 21 | 187-8611 | 539 | 1-D 7 | 189-2976 | 975 | 1-F 3 |
| 185-8848 | 1209 | 1-G 2 | 187-1377 | 443 | 1-C 22 | 187-8947 | 395 | 1-C 17 | 189-2976 | 985 | 1-F 4 |
| 185-8849 | 541 | 1-D 8 | 187-1791 | 81 | 1-B 10 | 187-8947 | 397 | 1-C 17 | 189-3143 | 783 | 1-E 8 |
| 185-9754 | 739 | 1-E 3 | 187-1791 | 83 | 1-B 10 | 187-8947 | 409 | 1-C 18 | 189-3165 | 631 | 1-D 17 |
| 185-9756 | 739 | 1-E 3 | 187-1791 | 85 | 1-B 10 | 187-8947 | 411 | 1-C 19 | 189-3165 | 633 | 1-D 17 |

INDEX

| Part No. | Page | Grid | Part No. | Page | Grid | Part No. | Page | Grid | Part No. | Page | Grid |
|----------|------|--------|----------|------|--------|----------|------|--------|----------|------|--------|
| 189-3296 | 977 | 1-F 3 | 191-0428 | 395 | 1-C 17 | 192-6460 | 145 | 1-B 16 | 195-5968 | 69 | 1-B 8 |
| 189-3296 | 979 | 1-F 3 | 191-0428 | 409 | 1-C 18 | 192-6460 | 147 | 1-B 16 | 195-5968 | 71 | 1-B 9 |
| 189-3300 | 963 | 1-F 2 | 191-0429 | 397 | 1-C 17 | 192-6516 | 555 | 1-D 9 | 195-5968 | 73 | 1-B 9 |
| 189-3302 | 967 | 1-F 2 | 191-0429 | 411 | 1-C 19 | 192-6516 | 557 | 1-D 9 | 195-5968 | 75 | 1-B 9 |
| 189-3307 | 965 | 1-F 2 | 191-1907 | 415 | 1-C 19 | 192-6518 | 555 | 1-D 9 | 195-5968 | 311 | 1-C 9 |
| 189-3307 | 967 | 1-F 2 | 191-1907 | 423 | 1-C 20 | 192-6518 | 557 | 1-D 9 | 195-9532 | 331 | 1-C 11 |
| 189-3308 | 965 | 1-F 2 | 191-1907 | 433 | 1-C 21 | 192-6529 | 537 | 1-D 7 | 195-9633 | 521 | 1-D 6 |
| 189-3308 | 967 | 1-F 2 | 191-1907 | 443 | 1-C 22 | 192-7901 | 651 | 1-D 19 | 195-9633 | 523 | 1-D 6 |
| 189-3310 | 931 | 1-E 23 | 191-1908 | 415 | 1-C 19 | 192-9017 | 1025 | 1-F 8 | 195-9633 | 525 | 1-D 6 |
| 189-3313 | 931 | 1-E 23 | 191-1908 | 423 | 1-C 20 | 193-0362 | 457 | 1-C 23 | 196-1969 | 739 | 1-E 3 |
| 189-3325 | 991 | 1-F 5 | 191-1908 | 433 | 1-C 21 | 193-0362 | 459 | 1-C 23 | 196-1970 | 739 | 1-E 3 |
| 189-4286 | 547 | 1-D 8 | 191-1908 | 443 | 1-C 22 | 193-0362 | 461 | 1-C 24 | 196-1971 | 739 | 1-E 3 |
| 189-4287 | 547 | 1-D 8 | 191-1909 | 415 | 1-C 19 | 193-0362 | 463 | 1-C 24 | 196-2318 | 703 | 1-D 24 |
| 189-4288 | 547 | 1-D 8 | 191-1909 | 423 | 1-C 20 | 193-0363 | 457 | 1-C 23 | 196-2318 | 881 | 1-E 18 |
| 189-4289 | 547 | 1-D 8 | 191-1909 | 433 | 1-C 21 | 193-0363 | 459 | 1-C 23 | 196-2318 | 885 | 1-E 18 |
| 189-5477 | 255 | 1-C 3 | 191-1909 | 443 | 1-C 22 | 193-0363 | 461 | 1-C 24 | 196-2318 | 907 | 1-E 20 |
| 189-5805 | 505 | 1-D 4 | 191-1910 | 415 | 1-C 19 | 193-0363 | 463 | 1-C 24 | 196-2993 | 931 | 1-E 23 |
| 189-5805 | 547 | 1-D 8 | 191-1910 | 423 | 1-C 20 | 193-0650 | 465 | 1-C 24 | 196-2994 | 931 | 1-E 23 |
| 189-5906 | 773 | 1-E 7 | 191-1910 | 433 | 1-C 21 | 193-0650 | 467 | 1-C 24 | 196-2997 | 931 | 1-E 23 |
| 189-5906 | 777 | 1-E 7 | 191-1910 | 443 | 1-C 22 | 193-1423 | 145 | 1-B 16 | 196-2997 | 933 | 1-E 23 |
| 189-5910 | 771 | 1-E 7 | 191-1911 | 415 | 1-C 19 | 193-1423 | 147 | 1-B 16 | 196-3036 | 945 | 1-E 24 |
| 189-5910 | 775 | 1-E 7 | 191-1911 | 423 | 1-C 20 | 193-1547 | 77 | 1-B 9 | 196-3037 | 945 | 1-E 24 |
| 189-5987 | 941 | 1-E 24 | 191-1911 | 433 | 1-C 21 | 193-1547 | 79 | 1-B 9 | 196-3052 | 945 | 1-E 24 |
| 189-5989 | 941 | 1-E 24 | 191-1911 | 443 | 1-C 22 | 193-1547 | 725 | 1-E 2 | 196-3968 | 1009 | 1-F 6 |
| 189-9922 | 1135 | 1-F 19 | 191-1912 | 415 | 1-C 19 | 193-1547 | 727 | 1-E 2 | 196-3968 | 1011 | 1-F 7 |
| 190-0429 | 731 | 1-E 3 | 191-1912 | 423 | 1-C 20 | 193-1548 | 831 | 1-E 13 | 196-3968 | 1015 | 1-F 7 |
| 190-0429 | 735 | 1-E 3 | 191-1912 | 433 | 1-C 21 | 193-1548 | 861 | 1-E 16 | 196-3968 | 1155 | 1-F 21 |
| 190-0435 | 691 | 1-D 23 | 191-1912 | 443 | 1-C 22 | 193-1548 | 865 | 1-E 16 | 196-4055 | 145 | 1-B 16 |
| 190-0435 | 693 | 1-D 23 | 191-5262 | 487 | 1-D 2 | 193-1558 | 703 | 1-D 24 | 196-4056 | 145 | 1-B 16 |
| 190-0435 | 695 | 1-D 23 | 191-5262 | 493 | 1-D 3 | 193-1558 | 807 | 1-E 10 | 196-4056 | 149 | 1-B 16 |
| 190-0435 | 697 | 1-D 23 | 191-5262 | 499 | 1-D 3 | 193-1558 | 867 | 1-E 16 | 196-4249 | 921 | 1-E 22 |
| 190-0435 | 739 | 1-E 3 | 191-5988 | 145 | 1-B 16 | 193-1558 | 869 | 1-E 16 | 196-5405 | 341 | 1-C 12 |
| 190-0436 | 691 | 1-D 23 | 191-5988 | 147 | 1-B 16 | 193-4752 | 347 | 1-C 12 | 196-6944 | 527 | 1-D 6 |
| 190-0436 | 729 | 1-E 2 | 191-8006 | 1209 | 1-G 2 | 193-5913 | 653 | 1-D 19 | 196-6946 | 527 | 1-D 6 |
| 190-0436 | 731 | 1-E 3 | 191-8007 | 1209 | 1-G 2 | 193-5914 | 653 | 1-D 19 | 196-6954 | 527 | 1-D 6 |
| 190-0438 | 691 | 1-D 23 | 191-8303 | 413 | 1-C 19 | 193-5915 | 651 | 1-D 19 | 196-7742 | 177 | 1-B 19 |
| 190-0438 | 693 | 1-D 23 | 191-8304 | 413 | 1-C 19 | 193-5915 | 665 | 1-D 20 | 196-7742 | 179 | 1-B 19 |
| 190-0438 | 695 | 1-D 23 | 192-0938 | 859 | 1-E 15 | 193-5918 | 923 | 1-E 22 | 196-7824 | 589 | 1-D 12 |
| 190-0438 | 799 | 1-E 9 | 192-0976 | 579 | 1-D 11 | 193-7868 | 183 | 1-B 20 | 196-9864 | 541 | 1-D 8 |
| 190-0446 | 739 | 1-E 3 | 192-3042 | 541 | 1-D 8 | 193-8098 | 827 | 1-E 12 | 196-9866 | 541 | 1-D 8 |
| 190-0768 | 655 | 1-D 19 | 192-3042 | 543 | 1-D 8 | 193-8197 | 861 | 1-E 16 | 196-9866 | 543 | 1-D 8 |
| 190-2601 | 931 | 1-E 23 | 192-4707 | 861 | 1-E 16 | 193-8198 | 865 | 1-E 16 | 197-1317 | 171 | 1-B 19 |
| 190-2608 | 965 | 1-F 2 | 192-4707 | 905 | 1-E 20 | 193-8199 | 699 | 1-D 23 | 197-1317 | 175 | 1-B 19 |
| 190-2608 | 967 | 1-F 2 | 192-4708 | 865 | 1-E 16 | 193-8199 | 867 | 1-E 16 | 197-1437 | 91 | 1-B 11 |
| 190-2609 | 965 | 1-F 2 | 192-4708 | 883 | 1-E 18 | 193-8200 | 869 | 1-E 16 | 197-1437 | 95 | 1-B 11 |
| 190-2609 | 967 | 1-F 2 | 192-4708 | 953 | 1-F 1 | 193-8200 | 961 | 1-F 2 | 197-2996 | 751 | 1-E 5 |
| 190-2613 | 981 | 1-F 4 | 192-4708 | 955 | 1-F 1 | 193-8200 | 963 | 1-F 2 | 197-2997 | 751 | 1-E 5 |
| 190-2624 | 965 | 1-F 2 | 192-4776 | 163 | 1-B 18 | 194-7019 | 457 | 1-C 23 | 197-2998 | 751 | 1-E 5 |
| 190-2624 | 967 | 1-F 2 | 192-4777 | 163 | 1-B 18 | 195-0499 | 583 | 1-D 12 | 197-2999 | 751 | 1-E 5 |
| 190-2838 | 195 | 1-B 21 | 192-4816 | 701 | 1-D 24 | 195-0500 | 583 | 1-D 12 | 197-3000 | 751 | 1-E 5 |
| 190-2839 | 195 | 1-B 21 | 192-4816 | 863 | 1-E 16 | 195-0501 | 583 | 1-D 12 | 197-3083 | 1053 | 1-F 11 |
| 190-3118 | 853 | 1-E 15 | 192-4816 | 867 | 1-E 16 | 195-0502 | 585 | 1-D 12 | 197-3667 | 651 | 1-D 19 |
| 190-3118 | 857 | 1-E 15 | 192-4816 | 881 | 1-E 18 | 195-1004 | 547 | 1-D 8 | 197-4516 | 1121 | 1-F 18 |
| 190-3583 | 659 | 1-D 19 | 192-4817 | 869 | 1-E 16 | 195-1016 | 547 | 1-D 8 | 197-4516 | 1123 | 1-F 18 |
| 190-5441 | 505 | 1-D 4 | 192-4817 | 885 | 1-E 18 | 195-2612 | 1133 | 1-F 19 | 197-4517 | 1121 | 1-F 18 |
| 190-5441 | 589 | 1-D 12 | 192-4975 | 395 | 1-C 17 | 195-2615 | 591 | 1-D 13 | 197-4518 | 1121 | 1-F 18 |
| 190-5942 | 527 | 1-D 6 | 192-4975 | 409 | 1-C 18 | 195-2616 | 591 | 1-D 13 | 197-4519 | 1121 | 1-F 18 |
| 190-5943 | 527 | 1-D 6 | 192-5602 | 437 | 1-C 21 | 195-3252 | 415 | 1-C 19 | 197-4519 | 1123 | 1-F 18 |
| 190-5943 | 553 | 1-D 9 | 192-5602 | 447 | 1-C 22 | 195-3252 | 423 | 1-C 20 | 197-4520 | 1121 | 1-F 18 |
| 190-5943 | 557 | 1-D 9 | 192-5642 | 239 | 1-C 1 | 195-3252 | 433 | 1-C 21 | 197-4520 | 1123 | 1-F 18 |
| 190-6501 | 845 | 1-E 14 | 192-5643 | 239 | 1-C 1 | 195-3252 | 443 | 1-C 22 | 197-4521 | 1121 | 1-F 18 |
| 190-6501 | 855 | 1-E 15 | 192-5644 | 239 | 1-C 1 | 195-4512 | 1059 | 1-F 11 | 197-4521 | 1123 | 1-F 18 |
| 190-6525 | 857 | 1-E 15 | 192-6350 | 79 | 1-B 9 | 195-4512 | 1061 | 1-F 12 | 197-4522 | 1121 | 1-F 18 |
| 190-6526 | 857 | 1-E 15 | 192-6350 | 711 | 1-E 1 | 195-4513 | 1059 | 1-F 11 | 197-4522 | 1123 | 1-F 18 |
| 190-8326 | 1139 | 1-F 19 | 192-6360 | 79 | 1-B 9 | 195-4513 | 1061 | 1-F 12 | 197-4523 | 1117 | 1-F 17 |
| 191-0426 | 387 | 1-C 16 | 192-6360 | 709 | 1-D 24 | 195-4519 | 131 | 1-B 15 | 197-4524 | 1117 | 1-F 17 |
| 191-0426 | 391 | 1-C 17 | 192-6366 | 729 | 1-E 2 | 195-4519 | 133 | 1-B 15 | 197-4525 | 1121 | 1-F 18 |
| 191-0426 | 403 | 1-C 18 | 192-6366 | 733 | 1-E 3 | 195-4520 | 1065 | 1-F 12 | 197-4525 | 1123 | 1-F 18 |
| 191-0426 | 407 | 1-C 18 | 192-6371 | 709 | 1-D 24 | 195-5221 | 1169 | 1-F 22 | 197-4526 | 1121 | 1-F 18 |
| 191-0427 | 387 | 1-C 16 | 192-6383 | 705 | 1-D 24 | 195-5227 | 1025 | 1-F 8 | 197-4526 | 1123 | 1-F 18 |
| 191-0427 | 389 | 1-C 16 | 192-6386 | 171 | 1-B 19 | 195-5228 | 1025 | 1-F 8 | 197-4527 | 1117 | 1-F 17 |
| 191-0427 | 393 | 1-C 17 | 192-6392 | 729 | 1-E 2 | 195-5228 | 1027 | 1-F 8 | 197-4527 | 1119 | 1-F 17 |
| 191-0427 | 401 | 1-C 18 | 192-6392 | 733 | 1-E 3 | 195-5229 | 1025 | 1-F 8 | 197-4529 | 1117 | 1-F 17 |
| 191-0427 | 403 | 1-C 18 | 192-6398 | 737 | 1-E 3 | 195-5230 | 1025 | 1-F 8 | 197-4529 | 1119 | 1-F 17 |
| 191-0427 | 405 | 1-C 18 | 192-6457 | 589 | 1-D 12 | 195-5968 | 67 | 1-B 8 | 197-4530 | 1129 | 1-F 18 |

MT800B SERIES TRACTORS

| Part No. | Page | Grid | Part No. | Page | Grid | Part No. | Page | Grid | Part No. | Page | Grid |
|----------|------|--------|----------|------|--------|----------|------|--------|----------|------|--------|
| 197-4530 | 1131 | 1-F 19 | 199-6263 | 195 | 1-B 21 | 200-2992 | 793 | 1-E 9 | 201-2442 | 189 | 1-B 20 |
| 197-4531 | 1129 | 1-F 18 | 199-6265 | 945 | 1-E 24 | 200-2992 | 807 | 1-E 10 | 201-4113 | 1025 | 1-F 8 |
| 197-4531 | 1131 | 1-F 19 | 199-7107 | 417 | 1-C 19 | 200-2992 | 825 | 1-E 12 | 201-4114 | 1025 | 1-F 8 |
| 197-4532 | 1129 | 1-F 18 | 199-7107 | 421 | 1-C 20 | 200-2993 | 791 | 1-E 9 | 201-4653 | 139 | 1-B 15 |
| 197-4532 | 1131 | 1-F 19 | 199-7107 | 427 | 1-C 20 | 200-2993 | 793 | 1-E 9 | 201-4653 | 141 | 1-B 16 |
| 197-4533 | 1129 | 1-F 18 | 199-7107 | 431 | 1-C 21 | 200-2993 | 807 | 1-E 10 | 201-5096 | 1169 | 1-F 22 |
| 197-4533 | 1131 | 1-F 19 | 199-7107 | 437 | 1-C 21 | 200-2993 | 825 | 1-E 12 | 201-8342 | 967 | 1-F 2 |
| 197-4534 | 1129 | 1-F 18 | 199-7107 | 441 | 1-C 22 | 200-3039 | 387 | 1-C 16 | 201-8344 | 967 | 1-F 2 |
| 197-4534 | 1131 | 1-F 19 | 199-7107 | 447 | 1-C 22 | 200-3039 | 389 | 1-C 16 | 201-8438 | 751 | 1-E 5 |
| 197-4537 | 1129 | 1-F 18 | 199-7107 | 451 | 1-C 23 | 200-3039 | 391 | 1-C 17 | 201-9041 | 215 | 1-B 23 |
| 197-4537 | 1131 | 1-F 19 | 199-7855 | 529 | 1-D 6 | 200-3039 | 393 | 1-C 17 | 201-9554 | 369 | 1-C 14 |
| 197-4538 | 1129 | 1-F 18 | 199-7855 | 531 | 1-D 7 | 200-3039 | 395 | 1-C 17 | 201-9789 | 1025 | 1-F 8 |
| 197-4538 | 1131 | 1-F 19 | 199-7859 | 529 | 1-D 6 | 200-3039 | 397 | 1-C 17 | 201-9927 | 653 | 1-D 19 |
| 197-4539 | 1129 | 1-F 18 | 199-7859 | 531 | 1-D 7 | 200-3039 | 401 | 1-C 18 | 201-9927 | 673 | 1-D 21 |
| 197-4540 | 1129 | 1-F 18 | 199-9240 | 387 | 1-C 16 | 200-3039 | 403 | 1-C 18 | 201-9927 | 677 | 1-D 21 |
| 197-4540 | 1131 | 1-F 19 | 199-9240 | 389 | 1-C 16 | 200-3039 | 405 | 1-C 18 | 201-9928 | 641 | 1-D 18 |
| 197-4541 | 1129 | 1-F 18 | 199-9240 | 391 | 1-C 17 | 200-3039 | 407 | 1-C 18 | 201-9928 | 675 | 1-D 21 |
| 197-4541 | 1131 | 1-F 19 | 199-9240 | 393 | 1-C 17 | 200-3039 | 409 | 1-C 18 | 201-9930 | 653 | 1-D 19 |
| 197-4544 | 1125 | 1-F 18 | 199-9240 | 395 | 1-C 17 | 200-3039 | 411 | 1-C 19 | 201-9931 | 641 | 1-D 18 |
| 197-4544 | 1127 | 1-F 18 | 199-9240 | 397 | 1-C 17 | 200-3039 | 487 | 1-D 2 | 201-9932 | 641 | 1-D 18 |
| 197-4545 | 1129 | 1-F 18 | 199-9240 | 401 | 1-C 18 | 200-3039 | 493 | 1-D 3 | 201-9932 | 653 | 1-D 19 |
| 197-4546 | 1125 | 1-F 18 | 199-9240 | 403 | 1-C 18 | 200-3039 | 499 | 1-D 3 | 202-0843 | 1019 | 1-F 7 |
| 197-4546 | 1127 | 1-F 18 | 199-9240 | 405 | 1-C 18 | 200-4310 | 693 | 1-D 23 | 202-0844 | 333 | 1-C 11 |
| 197-4547 | 1129 | 1-F 18 | 199-9240 | 407 | 1-C 18 | 200-4310 | 733 | 1-E 3 | 202-0844 | 335 | 1-C 11 |
| 197-4547 | 1131 | 1-F 19 | 199-9240 | 409 | 1-C 18 | 200-4310 | 735 | 1-E 3 | 202-0848 | 1055 | 1-F 11 |
| 197-4548 | 1131 | 1-F 19 | 199-9240 | 411 | 1-C 19 | 200-4316 | 721 | 1-E 2 | 202-2356 | 527 | 1-D 6 |
| 197-4550 | 1117 | 1-F 17 | 199-9240 | 487 | 1-D 2 | 200-4317 | 709 | 1-D 24 | 202-2357 | 527 | 1-D 6 |
| 197-4550 | 1119 | 1-F 17 | 199-9240 | 493 | 1-D 3 | 200-4320 | 79 | 1-B 9 | 202-2792 | 763 | 1-E 6 |
| 197-4849 | 81 | 1-B 10 | 199-9240 | 499 | 1-D 3 | 200-4320 | 737 | 1-E 3 | 202-7320 | 233 | 1-C 1 |
| 197-4849 | 83 | 1-B 10 | 2A-3746 | 417 | 1-C 19 | 200-4321 | 737 | 1-E 3 | 202-9220 | 511 | 1-D 5 |
| 197-4849 | 155 | 1-B 17 | 2A-3746 | 427 | 1-C 20 | 200-4322 | 721 | 1-E 2 | 202-9220 | 513 | 1-D 5 |
| 197-4852 | 155 | 1-B 17 | 2A-3746 | 437 | 1-C 21 | 200-4323 | 709 | 1-D 24 | 202-9220 | 515 | 1-D 5 |
| 197-5411 | 415 | 1-C 19 | 2A-3746 | 447 | 1-C 22 | 200-4325 | 743 | 1-E 4 | 202-9220 | 517 | 1-D 5 |
| 197-5411 | 423 | 1-C 20 | 2D-9190 | 485 | 1-D 2 | 200-4325 | 745 | 1-E 4 | 202-9220 | 519 | 1-D 5 |
| 197-5411 | 433 | 1-C 21 | 2D-9190 | 491 | 1-D 3 | 200-4327 | 743 | 1-E 4 | 202-9223 | 511 | 1-D 5 |
| 197-5411 | 443 | 1-C 22 | 2D-9190 | 497 | 1-D 3 | 200-4327 | 745 | 1-E 4 | 202-9223 | 513 | 1-D 5 |
| 197-5414 | 803 | 1-E 10 | 2H-1190 | 415 | 1-C 19 | 200-4329 | 743 | 1-E 4 | 202-9223 | 515 | 1-D 5 |
| 197-5675 | 101 | 1-B 12 | 2H-1190 | 423 | 1-C 20 | 200-4335 | 715 | 1-E 1 | 202-9223 | 517 | 1-D 5 |
| 197-5675 | 109 | 1-B 12 | 2H-1190 | 433 | 1-C 21 | 200-4339 | 737 | 1-E 3 | 202-9223 | 519 | 1-D 5 |
| 197-5676 | 101 | 1-B 12 | 2H-1190 | 443 | 1-C 22 | 200-4341 | 709 | 1-D 24 | 203-0128 | 189 | 1-B 20 |
| 197-5852 | 1139 | 1-F 19 | 2H-5549 | 415 | 1-C 19 | 200-4343 | 721 | 1-E 2 | 203-0189 | 759 | 1-E 5 |
| 197-6291 | 1217 | 1-G 3 | 2H-5549 | 425 | 1-C 20 | 200-4351 | 711 | 1-E 1 | 203-0189 | 761 | 1-E 6 |
| 197-6292 | 109 | 1-B 12 | 2H-5549 | 435 | 1-C 21 | 200-4351 | 743 | 1-E 4 | 203-0189 | 763 | 1-E 6 |
| 197-7948 | 171 | 1-B 19 | 2H-5549 | 445 | 1-C 22 | 200-4369 | 799 | 1-E 9 | 203-0190 | 759 | 1-E 5 |
| 197-8128 | 583 | 1-D 12 | 2J-2152 | 457 | 1-C 23 | 200-4372 | 709 | 1-D 24 | 203-0341 | 763 | 1-E 6 |
| 197-8131 | 583 | 1-D 12 | 2J-2152 | 459 | 1-C 23 | 200-4374 | 729 | 1-E 2 | 203-1213 | 761 | 1-E 6 |
| 197-8558 | 53 | 1-B 7 | 2J-2152 | 461 | 1-C 24 | 200-4374 | 733 | 1-E 3 | 203-2631 | 387 | 1-C 16 |
| 197-8558 | 55 | 1-B 7 | 2J-2152 | 463 | 1-C 24 | 200-4375 | 743 | 1-E 4 | 203-2631 | 389 | 1-C 16 |
| 197-8558 | 63 | 1-B 8 | 2K-1381 | 415 | 1-C 19 | 200-4392 | 709 | 1-D 24 | 203-2631 | 391 | 1-C 17 |
| 197-8558 | 65 | 1-B 8 | 2K-1381 | 425 | 1-C 20 | 200-4400 | 77 | 1-B 9 | 203-2631 | 393 | 1-C 17 |
| 197-8558 | 175 | 1-B 19 | 2K-1381 | 435 | 1-C 21 | 200-4400 | 79 | 1-B 9 | 203-2631 | 397 | 1-C 17 |
| 198-0288 | 415 | 1-C 19 | 2K-1381 | 445 | 1-C 22 | 200-4400 | 715 | 1-E 1 | 203-2631 | 401 | 1-C 18 |
| 198-0288 | 423 | 1-C 20 | 2M-9780 | 381 | 1-C 16 | 200-5027 | 373 | 1-C 15 | 203-2631 | 403 | 1-C 18 |
| 198-0288 | 433 | 1-C 21 | 2M-9780 | 383 | 1-C 16 | 200-5027 | 621 | 1-D 16 | 203-2631 | 405 | 1-C 18 |
| 198-0288 | 443 | 1-C 22 | 2M-9780 | 415 | 1-C 19 | 200-5027 | 629 | 1-D 16 | 203-2631 | 407 | 1-C 18 |
| 198-1013 | 413 | 1-C 19 | 2M-9780 | 435 | 1-C 21 | 200-5028 | 375 | 1-C 15 | 203-2631 | 411 | 1-C 19 |
| 198-1013 | 473 | 1-D 1 | 2M-9780 | 445 | 1-C 22 | 200-5028 | 625 | 1-D 16 | 203-2631 | 487 | 1-D 2 |
| 198-1955 | 91 | 1-B 11 | 2M-9780 | 449 | 1-C 22 | 200-5029 | 377 | 1-C 15 | 203-2631 | 493 | 1-D 3 |
| 198-1961 | 91 | 1-B 11 | 2M-9780 | 451 | 1-C 23 | 200-5029 | 619 | 1-D 15 | 203-2631 | 499 | 1-D 3 |
| 198-4070 | 999 | 1-F 5 | 2P-1692 | 413 | 1-C 19 | 200-5029 | 627 | 1-D 16 | 203-2632 | 395 | 1-C 17 |
| 198-4265 | 803 | 1-E 10 | 2P-8421 | 381 | 1-C 16 | 200-5030 | 379 | 1-C 15 | 203-2632 | 409 | 1-C 18 |
| 198-4474 | 1211 | 1-G 3 | 2S-4078 | 421 | 1-C 20 | 200-5030 | 623 | 1-D 16 | 203-3167 | 763 | 1-E 6 |
| 198-4475 | 1211 | 1-G 3 | 2S-4078 | 431 | 1-C 21 | 200-6376 | 291 | 1-C 7 | 203-3168 | 763 | 1-E 6 |
| 198-4477 | 1211 | 1-G 3 | 2S-4078 | 441 | 1-C 22 | 200-8649 | 185 | 1-B 20 | 203-5999 | 67 | 1-B 8 |
| 198-8376 | 195 | 1-B 21 | 2S-4078 | 451 | 1-C 23 | 200-8750 | 943 | 1-E 24 | 203-5999 | 69 | 1-B 8 |
| 198-8377 | 195 | 1-B 21 | 2S-4663 | 473 | 1-D 1 | 200-8772 | 925 | 1-E 22 | 203-5999 | 71 | 1-B 9 |
| 198-8378 | 965 | 1-F 2 | 2S-5835 | 473 | 1-D 1 | 200-8772 | 927 | 1-E 22 | 203-5999 | 73 | 1-B 9 |
| 198-8378 | 967 | 1-F 2 | 2Y-7489 | 415 | 1-C 19 | 200-8772 | 949 | 1-E 24 | 203-5999 | 75 | 1-B 9 |
| 199-2086 | 585 | 1-D 12 | 2Y-7489 | 425 | 1-C 20 | 200-8773 | 949 | 1-E 24 | 203-6604 | 1211 | 1-G 3 |
| 199-3481 | 229 | 1-B 24 | 2Y-7489 | 435 | 1-C 21 | 200-8775 | 945 | 1-E 24 | 203-6965 | 1053 | 1-F 11 |
| 199-3481 | 231 | 1-C 1 | 2Y-7489 | 445 | 1-C 22 | 200-8826 | 543 | 1-D 8 | 203-6966 | 1053 | 1-F 11 |
| 199-3481 | 233 | 1-C 1 | 200-1300 | 171 | 1-B 19 | 201-0486 | 247 | 1-C 2 | 203-7787 | 1211 | 1-G 3 |
| 199-4273 | 489 | 1-D 2 | 200-1770 | 1025 | 1-F 8 | 201-0487 | 247 | 1-C 2 | 203-9179 | 549 | 1-D 8 |
| 199-4273 | 495 | 1-D 3 | 200-1771 | 1025 | 1-F 8 | 201-1186 | 1053 | 1-F 11 | 203-9183 | 549 | 1-D 8 |
| 199-4273 | 501 | 1-D 4 | 200-2992 | 791 | 1-E 9 | 201-2441 | 189 | 1-B 20 | 203-9200 | 549 | 1-D 8 |

INDEX

| Part No. | Page | Grid | Part No. | Page | Grid | Part No. | Page | Grid | Part No. | Page | Grid |
|----------|------|--------|----------|------|--------|----------|------|--------|----------|------|--------|
| 203-9200 | 579 | 1-D 11 | 207-5993 | 447 | 1-C 22 | 209-5606 | 1069 | 1-F 12 | 210-7491 | 981 | 1-F 4 |
| 203-9200 | 581 | 1-D 12 | 207-5994 | 453 | 1-C 23 | 209-5607 | 1067 | 1-F 12 | 210-7495 | 945 | 1-E 24 |
| 203-9712 | 1211 | 1-G 3 | 207-7007 | 417 | 1-C 19 | 209-5608 | 1009 | 1-F 6 | 210-7497 | 945 | 1-E 24 |
| 204-0627 | 135 | 1-B 15 | 207-7007 | 427 | 1-C 20 | 209-5608 | 1011 | 1-F 7 | 210-7500 | 945 | 1-E 24 |
| 204-5043 | 575 | 1-D 11 | 207-7007 | 437 | 1-C 21 | 209-5608 | 1015 | 1-F 7 | 210-7501 | 945 | 1-E 24 |
| 204-9922 | 579 | 1-D 11 | 207-7007 | 447 | 1-C 22 | 209-5608 | 1069 | 1-F 12 | 210-7503 | 995 | 1-F 5 |
| 205-1388 | 583 | 1-D 12 | 207-7534 | 1173 | 1-F 23 | 209-6244 | 973 | 1-F 3 | 210-7504 | 945 | 1-E 24 |
| 205-1390 | 585 | 1-D 12 | 207-7554 | 803 | 1-E 10 | 209-6295 | 535 | 1-D 7 | 210-7506 | 993 | 1-F 5 |
| 205-1394 | 583 | 1-D 12 | 207-8218 | 383 | 1-C 16 | 209-6434 | 535 | 1-D 7 | 210-7507 | 945 | 1-E 24 |
| 205-1395 | 583 | 1-D 12 | 207-8227 | 1173 | 1-F 23 | 209-6677 | 817 | 1-E 11 | 210-7507 | 947 | 1-E 24 |
| 205-1396 | 583 | 1-D 12 | 208-0563 | 967 | 1-F 2 | 209-7359 | 903 | 1-E 20 | 210-7507 | 953 | 1-F 1 |
| 205-1397 | 583 | 1-D 12 | 208-0564 | 967 | 1-F 2 | 209-7497 | 775 | 1-E 7 | 210-7507 | 955 | 1-F 1 |
| 205-6398 | 753 | 1-E 5 | 208-2880 | 1009 | 1-F 6 | 209-7497 | 891 | 1-E 19 | 210-7507 | 957 | 1-F 1 |
| 205-6398 | 851 | 1-E 15 | 208-2880 | 1013 | 1-F 7 | 209-7498 | 777 | 1-E 7 | 210-7507 | 959 | 1-F 1 |
| 205-6399 | 851 | 1-E 15 | 208-2880 | 1063 | 1-F 12 | 209-7498 | 889 | 1-E 18 | 210-7507 | 961 | 1-F 2 |
| 205-6400 | 851 | 1-E 15 | 208-2881 | 1011 | 1-F 7 | 209-7599 | 903 | 1-E 20 | 210-7507 | 963 | 1-F 2 |
| 205-6400 | 859 | 1-E 15 | 208-2881 | 1015 | 1-F 7 | 209-7709 | 799 | 1-E 9 | 210-7508 | 929 | 1-E 22 |
| 205-6410 | 921 | 1-E 22 | 208-2881 | 1065 | 1-F 12 | 209-8325 | 809 | 1-E 10 | 210-7508 | 951 | 1-F 1 |
| 205-6411 | 921 | 1-E 22 | 208-3021 | 79 | 1-B 9 | 209-8325 | 841 | 1-E 14 | 210-7508 | 993 | 1-F 5 |
| 205-6412 | 851 | 1-E 15 | 208-3021 | 361 | 1-C 14 | 209-8326 | 811 | 1-E 11 | 210-7509 | 925 | 1-E 22 |
| 205-6412 | 921 | 1-E 22 | 208-3022 | 595 | 1-D 13 | 209-8326 | 843 | 1-E 14 | 210-7509 | 927 | 1-E 22 |
| 205-6464 | 921 | 1-E 22 | 208-3022 | 597 | 1-D 13 | 209-8430 | 1007 | 1-F 6 | 210-7509 | 995 | 1-F 5 |
| 205-8334 | 361 | 1-C 14 | 208-7525 | 579 | 1-D 11 | 209-8704 | 1037 | 1-F 9 | 210-7510 | 77 | 1-B 9 |
| 205-8771 | 223 | 1-B 24 | 208-7698 | 563 | 1-D 10 | 209-8704 | 1039 | 1-F 9 | 210-7510 | 705 | 1-D 24 |
| 205-8772 | 225 | 1-B 24 | 208-7843 | 715 | 1-E 1 | 209-8704 | 1041 | 1-F 10 | 210-7511 | 705 | 1-D 24 |
| 205-8790 | 1211 | 1-G 3 | 208-9495 | 527 | 1-D 6 | 209-8704 | 1043 | 1-F 10 | 210-7512 | 945 | 1-E 24 |
| 205-9961 | 665 | 1-D 20 | 208-9496 | 527 | 1-D 6 | 209-8704 | 1045 | 1-F 10 | 210-7513 | 945 | 1-E 24 |
| 205-9961 | 667 | 1-D 20 | 208-9814 | 723 | 1-E 2 | 209-9220 | 591 | 1-D 13 | 210-7514 | 945 | 1-E 24 |
| 205-9962 | 665 | 1-D 20 | 208-9815 | 723 | 1-E 2 | 209-9222 | 591 | 1-D 13 | 210-7515 | 945 | 1-E 24 |
| 205-9962 | 667 | 1-D 20 | 208-9838 | 725 | 1-E 2 | 209-9231 | 547 | 1-D 8 | 210-7523 | 979 | 1-F 3 |
| 206-0578 | 1067 | 1-F 12 | 208-9839 | 725 | 1-E 2 | 209-9232 | 547 | 1-D 8 | 210-7526 | 547 | 1-D 8 |
| 206-0579 | 1069 | 1-F 12 | 208-9875 | 807 | 1-E 10 | 209-9680 | 903 | 1-E 20 | 210-7529 | 583 | 1-D 12 |
| 206-0580 | 1069 | 1-F 12 | 208-9875 | 825 | 1-E 12 | 209-9800 | 973 | 1-F 3 | 210-7677 | 803 | 1-E 10 |
| 206-0581 | 1067 | 1-F 12 | 208-9878 | 807 | 1-E 10 | 209-9919 | 907 | 1-E 20 | 210-8405 | 417 | 1-C 19 |
| 206-0581 | 1069 | 1-F 12 | 208-9928 | 791 | 1-E 9 | 209-9920 | 907 | 1-E 20 | 210-8405 | 421 | 1-C 20 |
| 206-0584 | 1069 | 1-F 12 | 208-9928 | 793 | 1-E 9 | 209-9936 | 907 | 1-E 20 | 210-8405 | 427 | 1-C 20 |
| 206-0586 | 1067 | 1-F 12 | 209-0141 | 167 | 1-B 18 | 209-9949 | 907 | 1-E 20 | 210-8405 | 431 | 1-C 21 |
| 206-0588 | 1009 | 1-F 6 | 209-0141 | 169 | 1-B 18 | 210-0184 | 803 | 1-E 10 | 210-8405 | 437 | 1-C 21 |
| 206-0588 | 1011 | 1-F 7 | 209-0141 | 803 | 1-E 10 | 210-0851 | 697 | 1-D 23 | 210-8405 | 441 | 1-C 22 |
| 206-0588 | 1071 | 1-F 13 | 209-0359 | 555 | 1-D 9 | 210-0851 | 801 | 1-E 10 | 210-8405 | 447 | 1-C 22 |
| 206-0589 | 1071 | 1-F 13 | 209-0359 | 559 | 1-D 9 | 210-1503 | 973 | 1-F 3 | 210-8405 | 451 | 1-C 23 |
| 206-4604 | 949 | 1-E 24 | 209-0361 | 555 | 1-D 9 | 210-1570 | 1007 | 1-F 6 | 210-8406 | 417 | 1-C 19 |
| 206-4605 | 949 | 1-E 24 | 209-0361 | 559 | 1-D 9 | 210-1570 | 1015 | 1-F 7 | 210-8406 | 421 | 1-C 20 |
| 206-4613 | 933 | 1-E 23 | 209-0364 | 555 | 1-D 9 | 210-1975 | 487 | 1-D 2 | 210-8406 | 427 | 1-C 20 |
| 206-4619 | 945 | 1-E 24 | 209-0364 | 559 | 1-D 9 | 210-1975 | 493 | 1-D 3 | 210-8406 | 431 | 1-C 21 |
| 206-4631 | 943 | 1-E 24 | 209-0373 | 555 | 1-D 9 | 210-2265 | 541 | 1-D 8 | 210-8406 | 437 | 1-C 21 |
| 206-4633 | 933 | 1-E 23 | 209-0373 | 559 | 1-D 9 | 210-2654 | 1007 | 1-F 6 | 210-8406 | 441 | 1-C 22 |
| 206-4635 | 949 | 1-E 24 | 209-0376 | 555 | 1-D 9 | 210-2682 | 583 | 1-D 12 | 210-8406 | 447 | 1-C 22 |
| 206-4708 | 583 | 1-D 12 | 209-0376 | 559 | 1-D 9 | 210-3258 | 1053 | 1-F 11 | 210-8406 | 451 | 1-C 23 |
| 206-4719 | 585 | 1-D 12 | 209-0799 | 583 | 1-D 12 | 210-3292 | 1053 | 1-F 11 | 210-8519 | 309 | 1-C 8 |
| 206-4720 | 587 | 1-D 12 | 209-0800 | 583 | 1-D 12 | 210-3933 | 309 | 1-C 8 | 211-0174 | 529 | 1-D 6 |
| 206-6397 | 81 | 1-B 10 | 209-0893 | 343 | 1-C 12 | 210-4348 | 575 | 1-D 11 | 211-0174 | 531 | 1-D 7 |
| 206-6397 | 83 | 1-B 10 | 209-0893 | 349 | 1-C 12 | 210-4351 | 537 | 1-D 7 | 211-0178 | 529 | 1-D 6 |
| 206-6397 | 85 | 1-B 10 | 209-1366 | 535 | 1-D 7 | 210-4354 | 235 | 1-C 1 | 211-0178 | 531 | 1-D 7 |
| 206-6397 | 87 | 1-B 10 | 209-3146 | 555 | 1-D 9 | 210-4354 | 237 | 1-C 1 | 211-0182 | 533 | 1-D 7 |
| 206-6397 | 127 | 1-B 14 | 209-3146 | 559 | 1-D 9 | 210-4357 | 1169 | 1-F 22 | 211-0183 | 533 | 1-D 7 |
| 206-7524 | 241 | 1-C 2 | 209-3147 | 555 | 1-D 9 | 210-4358 | 1169 | 1-F 22 | 211-0535 | 803 | 1-E 10 |
| 206-8787 | 287 | 1-C 6 | 209-3147 | 559 | 1-D 9 | 210-4406 | 575 | 1-D 11 | 211-1156 | 971 | 1-F 3 |
| 206-8787 | 289 | 1-C 6 | 209-3384 | 555 | 1-D 9 | 210-4407 | 575 | 1-D 11 | 211-1170 | 413 | 1-C 19 |
| 206-8891 | 175 | 1-B 19 | 209-3384 | 559 | 1-D 9 | 210-4408 | 575 | 1-D 11 | 211-1171 | 343 | 1-C 12 |
| 206-8891 | 183 | 1-B 20 | 209-3385 | 555 | 1-D 9 | 210-4411 | 575 | 1-D 11 | 211-1171 | 349 | 1-C 12 |
| 207-0511 | 1069 | 1-F 12 | 209-3385 | 559 | 1-D 9 | 210-4412 | 575 | 1-D 11 | 211-1677 | 283 | 1-C 6 |
| 207-0516 | 595 | 1-D 13 | 209-3414 | 833 | 1-E 13 | 210-4413 | 555 | 1-D 9 | 211-1850 | 813 | 1-E 11 |
| 207-0516 | 597 | 1-D 13 | 209-3688 | 699 | 1-D 23 | 210-4414 | 555 | 1-D 9 | 211-2731 | 381 | 1-C 16 |
| 207-0745 | 813 | 1-E 11 | 209-3689 | 703 | 1-D 24 | 210-4415 | 555 | 1-D 9 | 211-2731 | 383 | 1-C 16 |
| 207-2021 | 1023 | 1-F 8 | 209-5019 | 883 | 1-E 18 | 210-4416 | 527 | 1-D 6 | 211-2885 | 975 | 1-F 3 |
| 207-2022 | 1023 | 1-F 8 | 209-5019 | 909 | 1-E 20 | 210-4418 | 537 | 1-D 7 | 211-3547 | 817 | 1-E 11 |
| 207-2031 | 163 | 1-B 18 | 209-5020 | 881 | 1-E 18 | 210-4421 | 575 | 1-D 11 | 211-3715 | 813 | 1-E 11 |
| 207-2031 | 1023 | 1-F 8 | 209-5020 | 911 | 1-E 21 | 210-4464 | 973 | 1-F 3 | 211-4410 | 813 | 1-E 11 |
| 207-2036 | 1149 | 1-F 20 | 209-5021 | 703 | 1-D 24 | 210-5610 | 725 | 1-E 2 | 211-8276 | 487 | 1-D 2 |
| 207-2036 | 1151 | 1-F 21 | 209-5021 | 885 | 1-E 18 | 210-5648 | 725 | 1-E 2 | 211-8276 | 493 | 1-D 3 |
| 207-2038 | 1069 | 1-F 12 | 209-5021 | 913 | 1-E 21 | 210-5649 | 725 | 1-E 2 | 211-8276 | 499 | 1-D 3 |
| 207-5993 | 417 | 1-C 19 | 209-5604 | 1067 | 1-F 12 | 210-6063 | 973 | 1-F 3 | 211-8277 | 373 | 1-C 15 |
| 207-5993 | 427 | 1-C 20 | 209-5604 | 1069 | 1-F 12 | 210-7483 | 705 | 1-D 24 | 211-8277 | 375 | 1-C 15 |
| 207-5993 | 437 | 1-C 21 | 209-5605 | 1067 | 1-F 12 | 210-7489 | 927 | 1-E 22 | 211-8277 | 377 | 1-C 15 |

MT800B SERIES TRACTORS

29 INDEX

| Part No. | Page | Grid | Part No. | Page | Grid | Part No. | Page | Grid | Part No. | Page | Grid |
|----------|------|--------|----------|------|--------|----------|------|--------|----------|------|--------|
| 211-8277 | 379 | 1-C 15 | 214-9379 | 853 | 1-E 15 | 216-6974 | 913 | 1-E 21 | 216-7404 | 911 | 1-E 21 |
| 211-8277 | 455 | 1-C 23 | 214-9379 | 915 | 1-E 21 | 216-6975 | 905 | 1-E 20 | 216-7404 | 913 | 1-E 21 |
| 211-8280 | 417 | 1-C 19 | 215-1807 | 217 | 1-B 23 | 216-6975 | 909 | 1-E 20 | 216-7694 | 1047 | 1-F 10 |
| 211-8280 | 421 | 1-C 20 | 215-1809 | 221 | 1-B 24 | 216-6975 | 911 | 1-E 21 | 216-7835 | 307 | 1-C 8 |
| 211-8280 | 427 | 1-C 20 | 215-6489 | 167 | 1-B 18 | 216-6975 | 913 | 1-E 21 | 216-7836 | 307 | 1-C 8 |
| 211-8280 | 431 | 1-C 21 | 215-6489 | 169 | 1-B 18 | 216-6976 | 905 | 1-E 20 | 216-7837 | 307 | 1-C 8 |
| 211-8280 | 437 | 1-C 21 | 215-7331 | 595 | 1-D 13 | 216-6976 | 909 | 1-E 20 | 216-7839 | 307 | 1-C 8 |
| 211-8280 | 441 | 1-C 22 | 215-7331 | 597 | 1-D 13 | 216-6976 | 911 | 1-E 21 | 216-7841 | 307 | 1-C 8 |
| 211-8280 | 447 | 1-C 22 | 215-7335 | 595 | 1-D 13 | 216-6976 | 913 | 1-E 21 | 216-8188 | 907 | 1-E 20 |
| 211-8280 | 451 | 1-C 23 | 215-7335 | 597 | 1-D 13 | 216-6977 | 905 | 1-E 20 | 216-8277 | 319 | 1-C 9 |
| 211-8315 | 813 | 1-E 11 | 215-7336 | 595 | 1-D 13 | 216-6977 | 907 | 1-E 20 | 216-8715 | 457 | 1-C 23 |
| 212-3416 | 1037 | 1-F 9 | 215-7353 | 597 | 1-D 13 | 216-6977 | 909 | 1-E 20 | 216-8715 | 459 | 1-C 23 |
| 212-3601 | 799 | 1-E 9 | 215-7684 | 235 | 1-C 1 | 216-6977 | 911 | 1-E 21 | 216-8715 | 461 | 1-C 24 |
| 212-3602 | 91 | 1-B 11 | 215-7684 | 237 | 1-C 1 | 216-6977 | 913 | 1-E 21 | 216-8715 | 463 | 1-C 24 |
| 212-3811 | 167 | 1-B 18 | 215-7687 | 235 | 1-C 1 | 216-6978 | 905 | 1-E 20 | 216-8860 | 291 | 1-C 7 |
| 212-3811 | 169 | 1-B 18 | 215-7687 | 237 | 1-C 1 | 216-6978 | 909 | 1-E 20 | 216-9213 | 487 | 1-D 2 |
| 212-3814 | 167 | 1-B 18 | 215-8051 | 91 | 1-B 11 | 216-6978 | 911 | 1-E 21 | 216-9213 | 493 | 1-D 3 |
| 212-3814 | 169 | 1-B 18 | 215-8055 | 93 | 1-B 11 | 216-6978 | 913 | 1-E 21 | 216-9213 | 499 | 1-D 3 |
| 212-3815 | 167 | 1-B 18 | 215-8055 | 97 | 1-B 11 | 216-6979 | 905 | 1-E 20 | 216-9823 | 67 | 1-B 8 |
| 212-3815 | 169 | 1-B 18 | 215-8364 | 573 | 1-D 11 | 216-6979 | 909 | 1-E 20 | 216-9823 | 69 | 1-B 8 |
| 212-4300 | 159 | 1-B 17 | 215-9109 | 241 | 1-C 2 | 216-6979 | 911 | 1-E 21 | 216-9823 | 71 | 1-B 9 |
| 212-7187 | 127 | 1-B 14 | 215-9464 | 655 | 1-D 19 | 216-6979 | 913 | 1-E 21 | 216-9823 | 73 | 1-B 9 |
| 212-9996 | 529 | 1-D 6 | 215-9580 | 597 | 1-D 13 | 216-6980 | 905 | 1-E 20 | 216-9823 | 75 | 1-B 9 |
| 212-9998 | 529 | 1-D 6 | 215-9809 | 235 | 1-C 1 | 216-6980 | 907 | 1-E 20 | 216-9823 | 245 | 1-C 2 |
| 213-1827 | 669 | 1-D 20 | 215-9809 | 237 | 1-C 1 | 216-6980 | 909 | 1-E 20 | 217-2130 | 1087 | 1-F 14 |
| 213-2481 | 545 | 1-D 8 | 216-0614 | 197 | 1-B 21 | 216-6980 | 911 | 1-E 21 | 217-2131 | 1087 | 1-F 14 |
| 213-2500 | 545 | 1-D 8 | 216-0614 | 199 | 1-B 21 | 216-6980 | 913 | 1-E 21 | 217-2214 | 1083 | 1-F 14 |
| 213-2501 | 545 | 1-D 8 | 216-0614 | 215 | 1-B 23 | 216-6980 | 1217 | 1-G 3 | 217-2214 | 1085 | 1-F 14 |
| 213-2502 | 545 | 1-D 8 | 216-0658 | 193 | 1-B 21 | 216-6981 | 905 | 1-E 20 | 217-2214 | 1087 | 1-F 14 |
| 213-2503 | 545 | 1-D 8 | 216-0658 | 211 | 1-B 23 | 216-6981 | 907 | 1-E 20 | 217-3513 | 1055 | 1-F 11 |
| 213-2504 | 545 | 1-D 8 | 216-0658 | 213 | 1-B 23 | 216-6981 | 909 | 1-E 20 | 217-3514 | 1055 | 1-F 11 |
| 213-2505 | 545 | 1-D 8 | 216-0806 | 241 | 1-C 2 | 216-6981 | 911 | 1-E 21 | 217-3555 | 483 | 1-D 2 |
| 213-2506 | 545 | 1-D 8 | 216-0852 | 197 | 1-B 21 | 216-6981 | 913 | 1-E 21 | 217-3556 | 487 | 1-D 2 |
| 213-3269 | 417 | 1-C 19 | 216-0874 | 199 | 1-B 21 | 216-6983 | 905 | 1-E 20 | 217-3556 | 489 | 1-D 2 |
| 213-3269 | 421 | 1-C 20 | 216-0887 | 241 | 1-C 2 | 216-6983 | 909 | 1-E 20 | 217-3556 | 493 | 1-D 3 |
| 213-3269 | 427 | 1-C 20 | 216-3028 | 323 | 1-C 10 | 216-6983 | 911 | 1-E 21 | 217-3556 | 495 | 1-D 3 |
| 213-3269 | 431 | 1-C 21 | 216-3028 | 327 | 1-C 10 | 216-6983 | 913 | 1-E 21 | 217-3556 | 499 | 1-D 3 |
| 213-3269 | 437 | 1-C 21 | 216-3458 | 903 | 1-E 20 | 216-6984 | 905 | 1-E 20 | 217-3557 | 483 | 1-D 2 |
| 213-3269 | 441 | 1-C 22 | 216-3461 | 903 | 1-E 20 | 216-6984 | 909 | 1-E 20 | 217-3557 | 489 | 1-D 2 |
| 213-3269 | 447 | 1-C 22 | 216-3462 | 903 | 1-E 20 | 216-6984 | 911 | 1-E 21 | 217-3557 | 495 | 1-D 3 |
| 213-3269 | 451 | 1-C 23 | 216-3475 | 903 | 1-E 20 | 216-6984 | 913 | 1-E 21 | 217-3557 | 501 | 1-D 4 |
| 213-3270 | 419 | 1-C 19 | 216-3478 | 903 | 1-E 20 | 216-6986 | 905 | 1-E 20 | 217-4156 | 809 | 1-E 10 |
| 213-3270 | 421 | 1-C 20 | 216-3479 | 903 | 1-E 20 | 216-6986 | 909 | 1-E 20 | 217-4157 | 809 | 1-E 10 |
| 213-3270 | 429 | 1-C 20 | 216-3480 | 903 | 1-E 20 | 216-6986 | 911 | 1-E 21 | 217-5924 | 167 | 1-B 18 |
| 213-3270 | 431 | 1-C 21 | 216-3481 | 903 | 1-E 20 | 216-6986 | 913 | 1-E 21 | 217-5924 | 169 | 1-B 18 |
| 213-3270 | 439 | 1-C 21 | 216-3569 | 903 | 1-E 20 | 216-6987 | 905 | 1-E 20 | 217-7365 | 813 | 1-E 11 |
| 213-3270 | 441 | 1-C 22 | 216-3570 | 903 | 1-E 20 | 216-6987 | 909 | 1-E 20 | 217-8425 | 457 | 1-C 23 |
| 213-3270 | 449 | 1-C 22 | 216-4353 | 241 | 1-C 2 | 216-6987 | 911 | 1-E 21 | 217-8425 | 459 | 1-C 23 |
| 213-3270 | 451 | 1-C 23 | 216-5343 | 413 | 1-C 19 | 216-6987 | 913 | 1-E 21 | 217-8425 | 461 | 1-C 24 |
| 213-4902 | 529 | 1-D 6 | 216-5343 | 471 | 1-D 1 | 216-6988 | 905 | 1-E 20 | 217-8425 | 463 | 1-C 24 |
| 213-4902 | 531 | 1-D 7 | 216-5343 | 489 | 1-D 2 | 216-6988 | 909 | 1-E 20 | 217-9779 | 319 | 1-C 9 |
| 213-6190 | 419 | 1-C 19 | 216-5343 | 495 | 1-D 3 | 216-6988 | 911 | 1-E 21 | 217-9779 | 747 | 1-E 4 |
| 213-6190 | 429 | 1-C 20 | 216-5343 | 501 | 1-D 4 | 216-6988 | 913 | 1-E 21 | 217-9780 | 325 | 1-C 10 |
| 213-6190 | 439 | 1-C 21 | 216-5343 | 503 | 1-D 4 | 216-6990 | 905 | 1-E 20 | 217-9780 | 327 | 1-C 10 |
| 213-6190 | 449 | 1-C 22 | 216-6285 | 575 | 1-D 11 | 216-6990 | 909 | 1-E 20 | 217-9780 | 749 | 1-E 4 |
| 213-6191 | 421 | 1-C 20 | 216-6425 | 559 | 1-D 9 | 216-6990 | 911 | 1-E 21 | 218-2771 | 189 | 1-B 20 |
| 213-6191 | 431 | 1-C 21 | 216-6426 | 559 | 1-D 9 | 216-6990 | 913 | 1-E 21 | 218-2803 | 799 | 1-E 9 |
| 213-6191 | 441 | 1-C 22 | 216-6429 | 557 | 1-D 9 | 216-6991 | 905 | 1-E 20 | 218-2805 | 801 | 1-E 10 |
| 213-6191 | 451 | 1-C 23 | 216-6430 | 559 | 1-D 9 | 216-6991 | 907 | 1-E 20 | 218-2806 | 799 | 1-E 9 |
| 213-7061 | 965 | 1-F 2 | 216-6971 | 905 | 1-E 20 | 216-6991 | 909 | 1-E 20 | 218-2806 | 801 | 1-E 10 |
| 213-7061 | 967 | 1-F 2 | 216-6971 | 909 | 1-E 20 | 216-6991 | 911 | 1-E 21 | 218-2808 | 91 | 1-B 11 |
| 213-7062 | 965 | 1-F 2 | 216-6971 | 911 | 1-E 21 | 216-6991 | 913 | 1-E 21 | 218-2809 | 93 | 1-B 11 |
| 213-7062 | 967 | 1-F 2 | 216-6971 | 913 | 1-E 21 | 216-6992 | 905 | 1-E 20 | 218-2809 | 95 | 1-B 11 |
| 214-1118 | 1053 | 1-F 11 | 216-6972 | 741 | 1-E 4 | 216-6992 | 909 | 1-E 20 | 218-2883 | 143 | 1-B 16 |
| 214-3504 | 315 | 1-C 9 | 216-6972 | 905 | 1-E 20 | 216-6992 | 911 | 1-E 21 | 218-2886 | 143 | 1-B 16 |
| 214-4661 | 651 | 1-D 19 | 216-6972 | 909 | 1-E 20 | 216-6992 | 913 | 1-E 21 | 218-2888 | 143 | 1-B 16 |
| 214-4667 | 1053 | 1-F 11 | 216-6972 | 911 | 1-E 21 | 216-7010 | 905 | 1-E 20 | 218-2889 | 143 | 1-B 16 |
| 214-9064 | 589 | 1-D 12 | 216-6972 | 913 | 1-E 21 | 216-7010 | 909 | 1-E 20 | 219-0664 | 315 | 1-C 9 |
| 214-9201 | 853 | 1-E 15 | 216-6973 | 905 | 1-E 20 | 216-7010 | 911 | 1-E 21 | 219-4775 | 291 | 1-C 7 |
| 214-9202 | 853 | 1-E 15 | 216-6973 | 909 | 1-E 20 | 216-7010 | 913 | 1-E 21 | 219-4779 | 1081 | 1-F 14 |
| 214-9204 | 845 | 1-E 14 | 216-6973 | 911 | 1-E 21 | 216-7035 | 905 | 1-E 20 | 219-4796 | 1081 | 1-F 14 |
| 214-9205 | 845 | 1-E 14 | 216-6973 | 913 | 1-E 21 | 216-7035 | 909 | 1-E 20 | 219-6551 | 803 | 1-E 10 |
| 214-9206 | 845 | 1-E 14 | 216-6974 | 905 | 1-E 20 | 216-7035 | 911 | 1-E 21 | 219-7208 | 811 | 1-E 11 |
| 214-9207 | 845 | 1-E 14 | 216-6974 | 909 | 1-E 20 | 216-7035 | 913 | 1-E 21 | 219-7209 | 811 | 1-E 11 |
| 214-9379 | 845 | 1-E 14 | 216-6974 | 911 | 1-E 21 | 216-7115 | 905 | 1-E 20 | 219-7563 | 587 | 1-D 12 |

INDEX

| Part No. | Page | Grid | Part No. | Page | Grid | Part No. | Page | Grid | Part No. | Page | Grid |
|----------|------|--------|----------|------|--------|----------|------|--------|----------|------|--------|
| 219-7564 | 583 | 1-D 12 | 222-2457 | 335 | 1-C 11 | 227-8726 | 895 | 1-E 19 | 260-9471 | 463 | 1-C 24 |
| 219-7565 | 583 | 1-D 12 | 222-4774 | 1055 | 1-F 11 | 227-8727 | 895 | 1-E 19 | 261-2719 | 457 | 1-C 23 |
| 219-7565 | 587 | 1-D 12 | 222-7965 | 67 | 1-B 8 | 227-8830 | 887 | 1-E 18 | 261-2719 | 459 | 1-C 23 |
| 219-7566 | 583 | 1-D 12 | 222-7965 | 69 | 1-B 8 | 227-8830 | 889 | 1-E 18 | 261-2719 | 461 | 1-C 24 |
| 219-7566 | 587 | 1-D 12 | 222-7965 | 71 | 1-B 9 | 227-8830 | 891 | 1-E 19 | 261-2719 | 463 | 1-C 24 |
| 219-8630 | 151 | 1-B 17 | 222-7965 | 73 | 1-B 9 | 227-8830 | 893 | 1-E 19 | 261-2719 | 1217 | 1-G 3 |
| 219-8630 | 153 | 1-B 17 | 222-7965 | 75 | 1-B 9 | 227-8830 | 895 | 1-E 19 | 266-0216 | 457 | 1-C 23 |
| 219-8787 | 803 | 1-E 10 | 222-7965 | 573 | 1-D 11 | 227-9327 | 415 | 1-C 19 | 266-0216 | 459 | 1-C 23 |
| 219-8801 | 975 | 1-F 3 | 222-9156 | 243 | 1-C 2 | 227-9327 | 423 | 1-C 20 | 266-0216 | 461 | 1-C 24 |
| 219-9652 | 725 | 1-E 2 | 222-9854 | 789 | 1-E 8 | 227-9327 | 433 | 1-C 21 | 266-0216 | 463 | 1-C 24 |
| 219-9656 | 1089 | 1-F 14 | 222-9855 | 789 | 1-E 8 | 227-9327 | 443 | 1-C 22 | 281-7719 | 369 | 1-C 14 |
| 220-2329 | 1117 | 1-F 17 | 223-0623 | 421 | 1-C 20 | 227-9744 | 1121 | 1-F 18 | 3D-2824 | 381 | 1-C 16 |
| 220-2329 | 1121 | 1-F 18 | 223-0623 | 431 | 1-C 21 | 228-4278 | 413 | 1-C 19 | 3D-8317 | 473 | 1-D 1 |
| 220-2333 | 1121 | 1-F 18 | 223-0623 | 441 | 1-C 22 | 228-4632 | 137 | 1-B 15 | 3E-3371 | 279 | 1-C 5 |
| 220-2355 | 685 | 1-D 22 | 223-0623 | 451 | 1-C 23 | 228-4633 | 137 | 1-B 15 | 3E-4353 | 487 | 1-D 2 |
| 220-2356 | 67 | 1-B 8 | 223-0687 | 189 | 1-B 20 | 228-4642 | 137 | 1-B 15 | 3E-4353 | 493 | 1-D 3 |
| 220-2356 | 69 | 1-B 8 | 223-0701 | 105 | 1-B 12 | 228-4643 | 137 | 1-B 15 | 3E-4353 | 499 | 1-D 3 |
| 220-2356 | 71 | 1-B 9 | 223-1637 | 425 | 1-C 20 | 228-7494 | 717 | 1-E 1 | 3E-7775 | 289 | 1-C 6 |
| 220-2356 | 73 | 1-B 9 | 223-1637 | 435 | 1-C 21 | 229-0888 | 193 | 1-B 21 | 3F-0379 | 287 | 1-C 6 |
| 220-2356 | 75 | 1-B 9 | 223-1637 | 445 | 1-C 22 | 229-0891 | 195 | 1-B 21 | 3F-0379 | 289 | 1-C 6 |
| 220-2356 | 687 | 1-D 22 | 223-2480 | 669 | 1-D 20 | 229-0891 | 213 | 1-B 23 | 3F-0957 | 381 | 1-C 16 |
| 220-2357 | 681 | 1-D 22 | 223-2480 | 671 | 1-D 21 | 230-9563 | 813 | 1-E 11 | 3H-0703 | 409 | 1-C 18 |
| 220-2358 | 67 | 1-B 8 | 223-3273 | 669 | 1-D 20 | 231-6106 | 555 | 1-D 9 | 3J-1907 | 381 | 1-C 16 |
| 220-2358 | 69 | 1-B 8 | 223-3273 | 671 | 1-D 21 | 231-6106 | 559 | 1-D 9 | 3J-1907 | 383 | 1-C 16 |
| 220-2358 | 71 | 1-B 9 | 223-4304 | 651 | 1-D 19 | 232-0345 | 381 | 1-C 16 | 3J-1907 | 415 | 1-C 19 |
| 220-2358 | 73 | 1-B 9 | 223-5887 | 553 | 1-D 9 | 232-0345 | 383 | 1-C 16 | 3J-1907 | 425 | 1-C 20 |
| 220-2358 | 75 | 1-B 9 | 223-5887 | 559 | 1-D 9 | 232-0838 | 717 | 1-E 1 | 3J-1907 | 435 | 1-C 21 |
| 220-2358 | 683 | 1-D 22 | 223-6530 | 803 | 1-E 10 | 232-0869 | 1081 | 1-F 14 | 3J-1907 | 445 | 1-C 22 |
| 220-2730 | 579 | 1-D 11 | 224-1398 | 809 | 1-E 10 | 232-0879 | 303 | 1-C 8 | 3J-1907 | 471 | 1-D 1 |
| 220-3664 | 725 | 1-E 2 | 224-1399 | 831 | 1-E 13 | 232-1774 | 401 | 1-C 18 | 3J-1907 | 473 | 1-D 1 |
| 220-4138 | 349 | 1-C 12 | 224-3917 | 1009 | 1-F 6 | 232-1774 | 403 | 1-C 18 | 3J-1907 | 489 | 1-D 2 |
| 220-5736 | 191 | 1-B 21 | 224-3917 | 1011 | 1-F 7 | 232-1774 | 405 | 1-C 18 | 3J-1907 | 495 | 1-D 3 |
| 220-8642 | 167 | 1-B 18 | 224-3917 | 1013 | 1-F 7 | 232-1774 | 407 | 1-C 18 | 3J-1907 | 501 | 1-D 4 |
| 220-8642 | 169 | 1-B 18 | 224-3917 | 1015 | 1-F 7 | 232-1774 | 409 | 1-C 18 | 3J-1907 | 503 | 1-D 4 |
| 221-0331 | 717 | 1-E 1 | 224-3917 | 1139 | 1-F 19 | 232-1774 | 411 | 1-C 19 | 3J-7354 | 487 | 1-D 2 |
| 221-0691 | 419 | 1-C 19 | 224-3917 | 1141 | 1-F 20 | 232-1774 | 469 | 1-C 24 | 3J-7354 | 493 | 1-D 3 |
| 221-0691 | 429 | 1-C 20 | 224-3945 | 803 | 1-E 10 | 233-8642 | 803 | 1-E 10 | 3J-7354 | 499 | 1-D 3 |
| 221-0691 | 439 | 1-C 21 | 224-3946 | 803 | 1-E 10 | 235-6166 | 417 | 1-C 19 | 3K-0360 | 381 | 1-C 16 |
| 221-0691 | 449 | 1-C 22 | 224-5868 | 459 | 1-C 23 | 235-6166 | 427 | 1-C 20 | 3K-0360 | 383 | 1-C 16 |
| 221-0808 | 101 | 1-B 12 | 224-5869 | 461 | 1-C 24 | 235-6166 | 437 | 1-C 21 | 3K-0360 | 419 | 1-C 19 |
| 221-1230 | 109 | 1-B 12 | 224-5869 | 463 | 1-C 24 | 235-6166 | 447 | 1-C 22 | 3K-0360 | 429 | 1-C 20 |
| 221-1233 | 109 | 1-B 12 | 224-5870 | 459 | 1-C 23 | 239-9822 | 421 | 1-C 20 | 3K-0360 | 439 | 1-C 21 |
| 221-1776 | 165 | 1-B 18 | 224-5870 | 461 | 1-C 24 | 239-9822 | 431 | 1-C 21 | 3K-0360 | 449 | 1-C 22 |
| 221-2548 | 101 | 1-B 12 | 224-5870 | 463 | 1-C 24 | 239-9822 | 441 | 1-C 22 | 3K-0360 | 473 | 1-D 1 |
| 221-2642 | 1081 | 1-F 14 | 224-5884 | 207 | 1-B 22 | 239-9822 | 451 | 1-C 23 | 3K-0715 | 381 | 1-C 16 |
| 221-5334 | 417 | 1-C 19 | 224-5884 | 625 | 1-D 16 | 240-5529 | 389 | 1-C 16 | 3K-0715 | 383 | 1-C 16 |
| 221-5334 | 421 | 1-C 20 | 224-6641 | 547 | 1-D 8 | 240-5529 | 405 | 1-C 18 | 3P-3441 | 419 | 1-C 19 |
| 221-5334 | 427 | 1-C 20 | 224-9662 | 925 | 1-E 22 | 241-6205 | 473 | 1-D 1 | 3P-3441 | 421 | 1-C 20 |
| 221-5334 | 431 | 1-C 21 | 224-9662 | 929 | 1-E 22 | 242-0962 | 433 | 1-C 21 | 3P-3441 | 429 | 1-C 20 |
| 221-5334 | 437 | 1-C 21 | 224-9662 | 951 | 1-F 1 | 242-0962 | 445 | 1-C 22 | 3P-3441 | 431 | 1-C 21 |
| 221-5334 | 441 | 1-C 22 | 224-9662 | 983 | 1-F 4 | 242-0962 | 467 | 1-C 24 | 3P-3441 | 439 | 1-C 21 |
| 221-5334 | 447 | 1-C 22 | 225-0175 | 803 | 1-E 10 | 242-5086 | 417 | 1-C 19 | 3P-3441 | 441 | 1-C 22 |
| 221-5334 | 451 | 1-C 23 | 225-0176 | 803 | 1-E 10 | 242-5086 | 421 | 1-C 20 | 3P-3441 | 449 | 1-C 22 |
| 221-5389 | 1081 | 1-F 14 | 225-1406 | 1055 | 1-F 11 | 242-5086 | 427 | 1-C 20 | 3P-3441 | 451 | 1-C 23 |
| 221-5433 | 1023 | 1-F 8 | 225-6958 | 415 | 1-C 19 | 242-5086 | 431 | 1-C 21 | 3S-2093 | 413 | 1-C 19 |
| 221-7640 | 569 | 1-D 10 | 225-6958 | 425 | 1-C 20 | 242-5086 | 437 | 1-C 21 | 3S-2708 | 395 | 1-C 17 |
| 221-8534 | 79 | 1-B 9 | 225-6958 | 465 | 1-C 24 | 242-5086 | 441 | 1-C 22 | 3S-2708 | 397 | 1-C 17 |
| 221-8534 | 581 | 1-D 12 | 225-8514 | 575 | 1-D 11 | 242-5086 | 447 | 1-C 22 | 3S-2708 | 409 | 1-C 18 |
| 221-8535 | 581 | 1-D 12 | 225-8861 | 579 | 1-D 11 | 242-5086 | 451 | 1-C 23 | 3S-2708 | 411 | 1-C 19 |
| 221-8536 | 581 | 1-D 12 | 226-0919 | 589 | 1-D 12 | 244-3699 | 439 | 1-C 21 | 3S-2708 | 419 | 1-C 19 |
| 221-8537 | 581 | 1-D 12 | 226-0921 | 589 | 1-D 12 | 244-3699 | 449 | 1-C 22 | 3S-2708 | 421 | 1-C 20 |
| 221-9201 | 241 | 1-C 2 | 226-1882 | 803 | 1-E 10 | 246-8145 | 399 | 1-C 17 | 3S-2708 | 429 | 1-C 20 |
| 222-1887 | 569 | 1-D 10 | 226-4324 | 341 | 1-C 12 | 246-8146 | 399 | 1-C 17 | 3S-2708 | 431 | 1-C 21 |
| 222-1903 | 421 | 1-C 20 | 226-4324 | 347 | 1-C 12 | 252-2226 | 419 | 1-C 19 | 3S-2708 | 439 | 1-C 21 |
| 222-1903 | 431 | 1-C 21 | 226-4325 | 341 | 1-C 12 | 252-2226 | 429 | 1-C 20 | 3S-2708 | 441 | 1-C 22 |
| 222-1903 | 441 | 1-C 22 | 226-4325 | 347 | 1-C 12 | 252-2227 | 439 | 1-C 21 | 3S-2708 | 449 | 1-C 22 |
| 222-1903 | 451 | 1-C 23 | 226-4754 | 339 | 1-C 11 | 252-2227 | 449 | 1-C 22 | 3S-2708 | 451 | 1-C 23 |
| 222-1904 | 419 | 1-C 19 | 226-4754 | 345 | 1-C 12 | 256-0173 | 343 | 1-C 12 | 3T-3422 | 287 | 1-C 6 |
| 222-1904 | 429 | 1-C 20 | 226-7570 | 139 | 1-B 15 | 256-0173 | 349 | 1-C 12 | 3T-3422 | 289 | 1-C 6 |
| 222-1904 | 439 | 1-C 21 | 226-7570 | 141 | 1-B 16 | 256-0176 | 213 | 1-B 23 | 3T-3434 | 287 | 1-C 6 |
| 222-1904 | 449 | 1-C 22 | 227-4312 | 1139 | 1-F 19 | 256-0184 | 193 | 1-B 21 | 3T-3434 | 289 | 1-C 6 |
| 222-2280 | 1175 | 1-F 23 | 227-4313 | 1139 | 1-F 19 | 256-0187 | 215 | 1-B 23 | 4B-9782 | 415 | 1-C 19 |
| 222-2281 | 1195 | 1-G 1 | 227-5269 | 803 | 1-E 10 | 260-9471 | 457 | 1-C 23 | 4B-9782 | 423 | 1-C 20 |
| 222-2281 | 1201 | 1-G 2 | 227-5270 | 803 | 1-E 10 | 260-9471 | 459 | 1-C 23 | 4B-9782 | 433 | 1-C 21 |
| 222-2457 | 333 | 1-C 11 | 227-8224 | 137 | 1-B 15 | 260-9471 | 461 | 1-C 24 | 4B-9782 | 443 | 1-C 22 |

MT800B SERIES TRACTORS

31
INDEX

| Part No. | Page | Grid | Part No. | Page | Grid | Part No. | Page | Grid | Part No. | Page | Grid |
|----------|------|--------|----------|------|--------|----------|------|--------|----------|------|--------|
| 4B-9783 | 425 | 1-C 20 | 4P-7428 | 413 | 1-C 19 | 400039X1 | 171 | 1-B 19 | 400040X1 | 1155 | 1-F 21 |
| 4B-9783 | 435 | 1-C 21 | 4P-7581 | 489 | 1-D 2 | 400039X1 | 185 | 1-B 20 | 400040X1 | 1157 | 1-F 21 |
| 4B-9783 | 445 | 1-C 22 | 4P-7581 | 495 | 1-D 3 | 400039X1 | 189 | 1-B 20 | 400041X1 | 111 | 1-B 13 |
| 4B-9880 | 473 | 1-D 1 | 4P-7581 | 501 | 1-D 4 | 400039X1 | 193 | 1-B 21 | 400041X1 | 113 | 1-B 13 |
| 4C-4183 | 1215 | 1-G 3 | 4P-8134 | 413 | 1-C 19 | 400039X1 | 195 | 1-B 21 | 400041X1 | 275 | 1-C 5 |
| 4C-4184 | 1215 | 1-G 3 | 4T-2201 | 399 | 1-C 17 | 400039X1 | 197 | 1-B 21 | 400041X1 | 277 | 1-C 5 |
| 4C-4190 | 1215 | 1-G 3 | 4T-4200 | 485 | 1-D 2 | 400039X1 | 199 | 1-B 21 | 400041X1 | 349 | 1-C 12 |
| 4C-4191 | 1215 | 1-G 3 | 4T-4200 | 491 | 1-D 3 | 400039X1 | 241 | 1-C 2 | 400041X1 | 369 | 1-C 14 |
| 4C-4192 | 1215 | 1-G 3 | 4T-4200 | 497 | 1-D 3 | 400039X1 | 323 | 1-C 10 | 400041X1 | 511 | 1-D 5 |
| 4C-4197 | 1215 | 1-G 3 | 400000X1 | 831 | 1-E 13 | 400039X1 | 327 | 1-C 10 | 400041X1 | 513 | 1-D 5 |
| 4C-4198 | 1215 | 1-G 3 | 400001X1 | 193 | 1-B 21 | 400039X1 | 341 | 1-C 12 | 400041X1 | 515 | 1-D 5 |
| 4C-4199 | 1215 | 1-G 3 | 400001X1 | 343 | 1-C 12 | 400039X1 | 347 | 1-C 12 | 400041X1 | 517 | 1-D 5 |
| 4C-4200 | 1215 | 1-G 3 | 400001X1 | 349 | 1-C 12 | 400039X1 | 349 | 1-C 12 | 400041X1 | 519 | 1-D 5 |
| 4C-4205 | 1215 | 1-G 3 | 400002X1 | 655 | 1-D 19 | 400039X1 | 535 | 1-D 7 | 400041X1 | 583 | 1-D 12 |
| 4C-4206 | 1215 | 1-G 3 | 400004X1 | 161 | 1-B 18 | 400039X1 | 547 | 1-D 8 | 400041X1 | 589 | 1-D 12 |
| 4C-4207 | 1215 | 1-G 3 | 400004X1 | 1033 | 1-F 9 | 400039X1 | 579 | 1-D 11 | 400041X1 | 595 | 1-D 13 |
| 4C-4211 | 1215 | 1-G 3 | 400005X1 | 255 | 1-C 3 | 400039X1 | 709 | 1-D 24 | 400041X1 | 597 | 1-D 13 |
| 4C-5843 | 1215 | 1-G 3 | 400006X1 | 317 | 1-C 9 | 400039X1 | 715 | 1-E 1 | 400041X1 | 803 | 1-E 10 |
| 4C-6122 | 1215 | 1-G 3 | 400006X1 | 337 | 1-C 11 | 400039X1 | 719 | 1-E 1 | 400041X1 | 947 | 1-E 24 |
| 4C-6126 | 1215 | 1-G 3 | 400011X1 | 739 | 1-E 3 | 400039X1 | 721 | 1-E 2 | 400041X1 | 949 | 1-E 24 |
| 4C-6127 | 1215 | 1-G 3 | 400013X1 | 555 | 1-D 9 | 400039X1 | 727 | 1-E 2 | 400042X1 | 1083 | 1-F 14 |
| 4C-6129 | 1215 | 1-G 3 | 400013X1 | 559 | 1-D 9 | 400039X1 | 731 | 1-E 3 | 400042X1 | 1085 | 1-F 14 |
| 4C-6133 | 1215 | 1-G 3 | 400014X1 | 559 | 1-D 9 | 400039X1 | 735 | 1-E 3 | 400044X1 | 295 | 1-C 7 |
| 4C-6134 | 1215 | 1-G 3 | 400014X1 | 651 | 1-D 19 | 400039X1 | 737 | 1-E 3 | 400044X1 | 581 | 1-D 12 |
| 4D-7735 | 339 | 1-C 11 | 400015X1 | 579 | 1-D 11 | 400039X1 | 791 | 1-E 9 | 400044X1 | 711 | 1-E 1 |
| 4D-7889 | 387 | 1-C 16 | 400017X1 | 325 | 1-C 10 | 400039X1 | 793 | 1-E 9 | 400044X1 | 809 | 1-E 10 |
| 4D-7889 | 389 | 1-C 16 | 400018X1 | 165 | 1-B 18 | 400039X1 | 803 | 1-E 10 | 400044X1 | 1059 | 1-F 11 |
| 4D-7889 | 391 | 1-C 17 | 400018X1 | 997 | 1-F 5 | 400039X1 | 807 | 1-E 10 | 400044X1 | 1061 | 1-F 12 |
| 4D-7889 | 393 | 1-C 17 | 400019X1 | 127 | 1-B 14 | 400039X1 | 809 | 1-E 10 | 400046X1 | 185 | 1-B 20 |
| 4D-7889 | 397 | 1-C 17 | 400019X1 | 129 | 1-B 14 | 400039X1 | 811 | 1-E 11 | 400046X1 | 189 | 1-B 20 |
| 4D-7889 | 401 | 1-C 18 | 400019X1 | 131 | 1-B 15 | 400039X1 | 813 | 1-E 11 | 400046X1 | 819 | 1-E 11 |
| 4D-7889 | 403 | 1-C 18 | 400019X1 | 133 | 1-B 15 | 400039X1 | 817 | 1-E 11 | 400046X1 | 821 | 1-E 12 |
| 4D-7889 | 405 | 1-C 18 | 400021X1 | 235 | 1-C 1 | 400039X1 | 825 | 1-E 12 | 400046X1 | 831 | 1-E 13 |
| 4D-7889 | 407 | 1-C 18 | 400021X1 | 237 | 1-C 1 | 400039X1 | 943 | 1-E 24 | 400046X1 | 833 | 1-E 13 |
| 4D-7889 | 411 | 1-C 19 | 400022X1 | 997 | 1-F 5 | 400039X1 | 947 | 1-E 24 | 400047X1 | 341 | 1-C 12 |
| 4D-7889 | 485 | 1-D 2 | 400022X1 | 999 | 1-F 5 | 400039X1 | 949 | 1-E 24 | 400047X1 | 349 | 1-C 12 |
| 4D-7889 | 491 | 1-D 3 | 400022X1 | 1001 | 1-F 6 | 400039X1 | 965 | 1-F 2 | 400047X1 | 671 | 1-D 21 |
| 4D-7889 | 497 | 1-D 3 | 400022X1 | 1003 | 1-F 6 | 400039X1 | 973 | 1-F 3 | 400048X1 | 1083 | 1-F 14 |
| 4D-9517 | 345 | 1-C 12 | 400022X1 | 1051 | 1-F 11 | 400039X1 | 991 | 1-F 5 | 400048X1 | 1085 | 1-F 14 |
| 4E-2250 | 195 | 1-B 21 | 400023X1 | 641 | 1-D 18 | 400039X1 | 1033 | 1-F 9 | 400049X1 | 117 | 1-B 13 |
| 4F-4097 | 381 | 1-C 16 | 400024X1 | 529 | 1-D 6 | 400039X1 | 1059 | 1-F 11 | 400049X1 | 125 | 1-B 14 |
| 4F-4097 | 383 | 1-C 16 | 400024X1 | 531 | 1-D 7 | 400039X1 | 1061 | 1-F 12 | 400049X1 | 579 | 1-D 11 |
| 4H-0408 | 737 | 1-E 3 | 400024X1 | 727 | 1-E 2 | 400039X1 | 1071 | 1-F 13 | 400049X1 | 997 | 1-F 5 |
| 4H-6507 | 415 | 1-C 19 | 400025X1 | 947 | 1-E 24 | 400039X1 | 1139 | 1-F 19 | 400049X1 | 999 | 1-F 5 |
| 4H-6507 | 423 | 1-C 20 | 400026X1 | 931 | 1-E 23 | 400040X1 | 115 | 1-B 13 | 400050X1 | 101 | 1-B 12 |
| 4H-6507 | 433 | 1-C 21 | 400027X1 | 655 | 1-D 19 | 400040X1 | 121 | 1-B 14 | 400050X1 | 545 | 1-D 8 |
| 4H-6507 | 443 | 1-C 22 | 400028X1 | 107 | 1-B 12 | 400040X1 | 125 | 1-B 14 | 400050X1 | 579 | 1-D 11 |
| 4J-5140 | 421 | 1-C 20 | 400028X1 | 719 | 1-E 1 | 400040X1 | 131 | 1-B 15 | 400050X1 | 589 | 1-D 12 |
| 4J-5140 | 431 | 1-C 21 | 400031X1 | 521 | 1-D 6 | 400040X1 | 133 | 1-B 15 | 400050X1 | 591 | 1-D 13 |
| 4J-5140 | 441 | 1-C 22 | 400031X1 | 523 | 1-D 6 | 400040X1 | 139 | 1-B 15 | 400050X1 | 819 | 1-E 11 |
| 4J-5140 | 451 | 1-C 23 | 400031X1 | 525 | 1-D 6 | 400040X1 | 141 | 1-B 16 | 400050X1 | 821 | 1-E 12 |
| 4J-5140 | 489 | 1-D 2 | 400031X1 | 545 | 1-D 8 | 400040X1 | 167 | 1-B 18 | 400050X1 | 829 | 1-E 12 |
| 4J-5140 | 495 | 1-D 3 | 400032X1 | 671 | 1-D 21 | 400040X1 | 169 | 1-B 18 | 400050X1 | 835 | 1-E 13 |
| 4J-5140 | 501 | 1-D 4 | 400033X1 | 965 | 1-F 2 | 400040X1 | 185 | 1-B 20 | 400050X1 | 839 | 1-E 13 |
| 4J-5477 | 487 | 1-D 2 | 400035X1 | 655 | 1-D 19 | 400040X1 | 189 | 1-B 20 | 400051X1 | 579 | 1-D 11 |
| 4J-5477 | 493 | 1-D 3 | 400035X1 | 657 | 1-D 19 | 400040X1 | 283 | 1-C 6 | 400051X1 | 591 | 1-D 13 |
| 4J-5477 | 499 | 1-D 3 | 400035X1 | 665 | 1-D 20 | 400040X1 | 349 | 1-C 12 | 400051X1 | 803 | 1-E 10 |
| 4J-8996 | 381 | 1-C 16 | 400035X1 | 667 | 1-D 20 | 400040X1 | 535 | 1-D 7 | 400051X1 | 831 | 1-E 13 |
| 4J-8996 | 383 | 1-C 16 | 400035X1 | 993 | 1-F 5 | 400040X1 | 587 | 1-D 12 | 400051X1 | 833 | 1-E 13 |
| 4K-3892 | 417 | 1-C 19 | 400039X1 | 93 | 1-B 11 | 400040X1 | 727 | 1-E 2 | 400052X1 | 185 | 1-B 20 |
| 4K-3892 | 421 | 1-C 20 | 400039X1 | 95 | 1-B 11 | 400040X1 | 737 | 1-E 3 | 400052X1 | 189 | 1-B 20 |
| 4K-3892 | 427 | 1-C 20 | 400039X1 | 109 | 1-B 12 | 400040X1 | 803 | 1-E 10 | 400052X1 | 549 | 1-D 8 |
| 4K-3892 | 431 | 1-C 21 | 400039X1 | 115 | 1-B 13 | 400040X1 | 813 | 1-E 11 | 400052X1 | 579 | 1-D 11 |
| 4K-3892 | 437 | 1-C 21 | 400039X1 | 117 | 1-B 13 | 400040X1 | 823 | 1-E 12 | 400052X1 | 581 | 1-D 12 |
| 4K-3892 | 441 | 1-C 22 | 400039X1 | 119 | 1-B 13 | 400040X1 | 947 | 1-E 24 | 400053X1 | 143 | 1-B 16 |
| 4K-3892 | 447 | 1-C 22 | 400039X1 | 121 | 1-B 14 | 400040X1 | 967 | 1-F 2 | 400053X1 | 167 | 1-B 18 |
| 4K-3892 | 451 | 1-C 23 | 400039X1 | 123 | 1-B 14 | 400040X1 | 971 | 1-F 3 | 400053X1 | 529 | 1-D 6 |
| 4K-9429 | 595 | 1-D 13 | 400039X1 | 125 | 1-B 14 | 400040X1 | 973 | 1-F 3 | 400053X1 | 533 | 1-D 7 |
| 4K-9429 | 597 | 1-D 13 | 400039X1 | 129 | 1-B 14 | 400040X1 | 983 | 1-F 4 | 400053X1 | 537 | 1-D 7 |
| 4M-0189 | 453 | 1-C 23 | 400039X1 | 139 | 1-B 15 | 400040X1 | 1033 | 1-F 9 | 400053X1 | 547 | 1-D 8 |
| 4M-1831 | 287 | 1-C 6 | 400039X1 | 141 | 1-B 16 | 400040X1 | 1059 | 1-F 11 | 400053X1 | 563 | 1-D 10 |
| 4M-1831 | 289 | 1-C 6 | 400039X1 | 145 | 1-B 16 | 400040X1 | 1061 | 1-F 12 | 400053X1 | 591 | 1-D 13 |
| 4M-2381 | 473 | 1-D 1 | 400039X1 | 147 | 1-B 16 | 400040X1 | 1083 | 1-F 14 | 400053X1 | 679 | 1-D 21 |
| 4M-5905 | 473 | 1-D 1 | 400039X1 | 167 | 1-B 18 | 400040X1 | 1085 | 1-F 14 | 400053X1 | 751 | 1-E 5 |
| 4N-0952 | 439 | 1-C 21 | 400039X1 | 169 | 1-B 18 | 400040X1 | 1153 | 1-F 21 | 400053X1 | 791 | 1-E 9 |

INDEX

| Part No. | Page | Grid | Part No. | Page | Grid | Part No. | Page | Grid | Part No. | Page | Grid |
|----------|------|--------|----------|------|--------|----------|------|--------|----------|------|--------|
| 400053X1 | 793 | 1-E 9 | 400061X1 | 713 | 1-E 1 | 400080X1 | 965 | 1-F 2 | 400113X1 | 1141 | 1-F 20 |
| 400053X1 | 803 | 1-E 10 | 400062X1 | 827 | 1-E 12 | 400080X1 | 967 | 1-F 2 | 400114X1 | 705 | 1-D 24 |
| 400053X1 | 997 | 1-F 5 | 400063X1 | 369 | 1-C 14 | 400081X1 | 105 | 1-B 12 | 400114X1 | 1157 | 1-F 21 |
| 400053X1 | 999 | 1-F 5 | 400063X1 | 507 | 1-D 4 | 400081X1 | 521 | 1-D 6 | 400115X1 | 553 | 1-D 9 |
| 400053X1 | 1051 | 1-F 11 | 400063X1 | 509 | 1-D 4 | 400081X1 | 523 | 1-D 6 | 400115X1 | 557 | 1-D 9 |
| 400053X1 | 1055 | 1-F 11 | 400063X1 | 791 | 1-E 9 | 400081X1 | 525 | 1-D 6 | 400117X1 | 721 | 1-E 2 |
| 400053X1 | 1141 | 1-F 20 | 400063X1 | 793 | 1-E 9 | 400081X1 | 535 | 1-D 7 | 400117X1 | 731 | 1-E 3 |
| 400055X1 | 185 | 1-B 20 | 400063X1 | 803 | 1-E 10 | 400081X1 | 587 | 1-D 12 | 400117X1 | 735 | 1-E 3 |
| 400055X1 | 189 | 1-B 20 | 400063X1 | 819 | 1-E 11 | 400081X1 | 651 | 1-D 19 | 400119X1 | 1083 | 1-F 14 |
| 400055X1 | 365 | 1-C 14 | 400063X1 | 821 | 1-E 12 | 400081X1 | 655 | 1-D 19 | 400119X1 | 1085 | 1-F 14 |
| 400055X1 | 655 | 1-D 19 | 400064X1 | 119 | 1-B 13 | 400081X1 | 657 | 1-D 19 | 400120X1 | 1033 | 1-F 9 |
| 400055X1 | 1115 | 1-F 17 | 400064X1 | 135 | 1-B 15 | 400081X1 | 665 | 1-D 20 | 400121X1 | 1033 | 1-F 9 |
| 400056X1 | 95 | 1-B 11 | 400064X1 | 539 | 1-D 7 | 400081X1 | 667 | 1-D 20 | 400122X1 | 535 | 1-D 7 |
| 400056X1 | 159 | 1-B 17 | 400064X1 | 547 | 1-D 8 | 400081X1 | 943 | 1-E 24 | 400123X1 | 117 | 1-B 13 |
| 400056X1 | 755 | 1-E 5 | 400064X1 | 671 | 1-D 21 | 400081X1 | 947 | 1-E 24 | 400123X1 | 123 | 1-B 14 |
| 400056X1 | 757 | 1-E 5 | 400064X1 | 739 | 1-E 3 | 400081X1 | 991 | 1-F 5 | 400123X1 | 139 | 1-B 15 |
| 400056X1 | 837 | 1-E 13 | 400064X1 | 789 | 1-E 8 | 400081X1 | 993 | 1-F 5 | 400123X1 | 141 | 1-B 16 |
| 400056X1 | 839 | 1-E 13 | 400064X1 | 803 | 1-E 10 | 400081X1 | 995 | 1-F 5 | 400123X1 | 795 | 1-E 9 |
| 400056X1 | 947 | 1-E 24 | 400064X1 | 809 | 1-E 10 | 400081X1 | 1033 | 1-F 9 | 400123X1 | 803 | 1-E 10 |
| 400056X1 | 965 | 1-F 2 | 400064X1 | 811 | 1-E 11 | 400082X1 | 95 | 1-B 11 | 400123X1 | 805 | 1-E 10 |
| 400056X1 | 967 | 1-F 2 | 400064X1 | 819 | 1-E 11 | 400082X1 | 159 | 1-B 17 | 400123X1 | 809 | 1-E 10 |
| 400057X1 | 183 | 1-B 20 | 400064X1 | 821 | 1-E 12 | 400082X1 | 369 | 1-C 14 | 400123X1 | 811 | 1-E 11 |
| 400057X1 | 371 | 1-C 15 | 400064X1 | 835 | 1-E 13 | 400082X1 | 535 | 1-D 7 | 400123X1 | 815 | 1-E 11 |
| 400057X1 | 541 | 1-D 8 | 400064X1 | 837 | 1-E 13 | 400082X1 | 639 | 1-D 17 | 400123X1 | 819 | 1-E 11 |
| 400057X1 | 543 | 1-D 8 | 400065X1 | 1051 | 1-F 11 | 400082X1 | 665 | 1-D 20 | 400123X1 | 821 | 1-E 12 |
| 400057X1 | 827 | 1-E 12 | 400066X1 | 167 | 1-B 18 | 400082X1 | 667 | 1-D 20 | 400124X1 | 1033 | 1-F 9 |
| 400058X1 | 93 | 1-B 11 | 400066X1 | 169 | 1-B 18 | 400082X1 | 755 | 1-E 5 | 400125X1 | 1065 | 1-F 12 |
| 400058X1 | 95 | 1-B 11 | 400066X1 | 803 | 1-E 10 | 400082X1 | 757 | 1-E 5 | 400126X1 | 155 | 1-B 17 |
| 400058X1 | 137 | 1-B 15 | 400066X1 | 1083 | 1-F 14 | 400082X1 | 789 | 1-E 8 | 400126X1 | 157 | 1-B 17 |
| 400058X1 | 139 | 1-B 15 | 400066X1 | 1085 | 1-F 14 | 400082X1 | 923 | 1-E 22 | 400127X1 | 1053 | 1-F 11 |
| 400058X1 | 141 | 1-B 16 | 400067X1 | 521 | 1-D 6 | 400083X1 | 1211 | 1-G 3 | 400128X1 | 1005 | 1-F 6 |
| 400058X1 | 159 | 1-B 17 | 400067X1 | 523 | 1-D 6 | 400084X1 | 325 | 1-C 10 | 400129X2 | 593 | 1-D 13 |
| 400058X1 | 167 | 1-B 18 | 400067X1 | 525 | 1-D 6 | 400084X1 | 1025 | 1-F 8 | 400130X1 | 91 | 1-B 11 |
| 400058X1 | 169 | 1-B 18 | 400067X1 | 665 | 1-D 20 | 400084X1 | 1055 | 1-F 11 | 400132X1 | 249 | 1-C 2 |
| 400058X1 | 171 | 1-B 19 | 400067X1 | 667 | 1-D 20 | 400085X1 | 1025 | 1-F 8 | 400132X1 | 251 | 1-C 3 |
| 400058X1 | 185 | 1-B 20 | 400067X1 | 993 | 1-F 5 | 400085X1 | 1053 | 1-F 11 | 400134X1 | 535 | 1-D 7 |
| 400058X1 | 189 | 1-B 20 | 400067X1 | 995 | 1-F 5 | 400085X1 | 1139 | 1-F 19 | 400135X1 | 1209 | 1-G 2 |
| 400058X1 | 323 | 1-C 10 | 400068X1 | 751 | 1-E 5 | 400085X1 | 1141 | 1-F 20 | 400137X1 | 561 | 1-D 10 |
| 400058X1 | 327 | 1-C 10 | 400069X1 | 369 | 1-C 14 | 400086X1 | 1133 | 1-F 19 | 400137X1 | 1033 | 1-F 9 |
| 400058X1 | 555 | 1-D 9 | 400070X1 | 1035 | 1-F 9 | 400087X1 | 235 | 1-C 1 | 400138X1 | 527 | 1-D 6 |
| 400058X1 | 559 | 1-D 9 | 400071X1 | 1035 | 1-F 9 | 400087X1 | 237 | 1-C 1 | 400139X1 | 247 | 1-C 2 |
| 400058X1 | 575 | 1-D 11 | 400072X1 | 163 | 1-B 18 | 400088X1 | 923 | 1-E 22 | 400142X1 | 655 | 1-D 19 |
| 400058X1 | 583 | 1-D 12 | 400073X1 | 1049 | 1-F 10 | 400088X1 | 981 | 1-F 4 | 400143X1 | 589 | 1-D 12 |
| 400058X1 | 587 | 1-D 12 | 400074X1 | 163 | 1-B 18 | 400090X1 | 521 | 1-D 6 | 400146X1 | 101 | 1-B 12 |
| 400058X1 | 589 | 1-D 12 | 400074X1 | 1035 | 1-F 9 | 400091X1 | 67 | 1-B 8 | 400149X1 | 91 | 1-B 11 |
| 400058X1 | 591 | 1-D 13 | 400076X1 | 321 | 1-C 10 | 400092X1 | 923 | 1-E 22 | 400151X1 | 765 | 1-E 6 |
| 400058X1 | 597 | 1-D 13 | 400076X1 | 323 | 1-C 10 | 400093X1 | 923 | 1-E 22 | 400152X1 | 185 | 1-B 20 |
| 400058X1 | 631 | 1-D 17 | 400076X1 | 325 | 1-C 10 | 400095X1 | 947 | 1-E 24 | 400152X1 | 189 | 1-B 20 |
| 400058X1 | 633 | 1-D 17 | 400076X1 | 527 | 1-D 6 | 400097X1 | 989 | 1-F 4 | 400152X1 | 239 | 1-C 1 |
| 400058X1 | 635 | 1-D 17 | 400076X1 | 1057 | 1-F 11 | 400098X1 | 665 | 1-D 20 | 400152X1 | 243 | 1-C 2 |
| 400058X1 | 637 | 1-D 17 | 400078X1 | 931 | 1-E 23 | 400100X1 | 819 | 1-E 11 | 400152X1 | 275 | 1-C 5 |
| 400058X1 | 665 | 1-D 20 | 400078X1 | 933 | 1-E 23 | 400101X1 | 835 | 1-E 13 | 400152X1 | 277 | 1-C 5 |
| 400058X1 | 667 | 1-D 20 | 400078X1 | 945 | 1-E 24 | 400101X1 | 837 | 1-E 13 | 400152X1 | 291 | 1-C 7 |
| 400058X1 | 719 | 1-E 1 | 400078X1 | 965 | 1-F 2 | 400103X1 | 809 | 1-E 10 | 400152X1 | 311 | 1-C 9 |
| 400058X1 | 739 | 1-E 3 | 400078X1 | 967 | 1-F 2 | 400103X1 | 811 | 1-E 11 | 400152X1 | 1029 | 1-F 8 |
| 400058X1 | 803 | 1-E 10 | 400079X1 | 943 | 1-E 24 | 400104X1 | 555 | 1-D 9 | 400152X1 | 1081 | 1-F 14 |
| 400058X1 | 813 | 1-E 11 | 400080X1 | 511 | 1-D 5 | 400104X1 | 559 | 1-D 9 | 400152X1 | 1083 | 1-F 14 |
| 400058X1 | 1017 | 1-F 7 | 400080X1 | 513 | 1-D 5 | 400106X1 | 1141 | 1-F 20 | 400152X1 | 1085 | 1-F 14 |
| 400058X1 | 1059 | 1-F 11 | 400080X1 | 515 | 1-D 5 | 400107X1 | 803 | 1-E 10 | 400152X1 | 1211 | 1-G 3 |
| 400058X1 | 1061 | 1-F 12 | 400080X1 | 517 | 1-D 5 | 400108X1 | 131 | 1-B 15 | 400153X1 | 189 | 1-B 20 |
| 400058X1 | 1083 | 1-F 14 | 400080X1 | 519 | 1-D 5 | 400108X1 | 133 | 1-B 15 | 400160X1 | 195 | 1-B 21 |
| 400058X1 | 1085 | 1-F 14 | 400080X1 | 521 | 1-D 6 | 400108X1 | 183 | 1-B 20 | 400161X1 | 1089 | 1-F 14 |
| 400059X1 | 165 | 1-B 18 | 400080X1 | 523 | 1-D 6 | 400108X1 | 541 | 1-D 8 | 400162X1 | 553 | 1-D 9 |
| 400059X1 | 189 | 1-B 20 | 400080X1 | 525 | 1-D 6 | 400108X1 | 1063 | 1-F 12 | 400162X1 | 557 | 1-D 9 |
| 400059X1 | 547 | 1-D 8 | 400080X1 | 535 | 1-D 7 | 400109X1 | 139 | 1-B 15 | 400172X1 | 291 | 1-C 7 |
| 400059X1 | 555 | 1-D 9 | 400080X1 | 571 | 1-D 11 | 400109X1 | 141 | 1-B 16 | 400175X1 | 131 | 1-B 15 |
| 400059X1 | 559 | 1-D 9 | 400080X1 | 639 | 1-D 17 | 400109X1 | 817 | 1-E 11 | 400175X1 | 133 | 1-B 15 |
| 400059X1 | 575 | 1-D 11 | 400080X1 | 655 | 1-D 19 | 400109X1 | 1003 | 1-F 6 | 400176X1 | 189 | 1-B 20 |
| 400059X1 | 587 | 1-D 12 | 400080X1 | 665 | 1-D 20 | 400110X1 | 1023 | 1-F 8 | 400177X1 | 91 | 1-B 11 |
| 400059X1 | 591 | 1-D 13 | 400080X1 | 667 | 1-D 20 | 400110X1 | 1037 | 1-F 9 | 400177X1 | 95 | 1-B 11 |
| 400059X1 | 799 | 1-E 9 | 400080X1 | 669 | 1-D 20 | 400110X1 | 1041 | 1-F 10 | 400179X1 | 291 | 1-C 7 |
| 400059X1 | 811 | 1-E 11 | 400080X1 | 671 | 1-D 21 | 400110X1 | 1139 | 1-F 19 | 400180X1 | 105 | 1-B 12 |
| 400059X1 | 819 | 1-E 11 | 400080X1 | 727 | 1-E 2 | 400110X1 | 1141 | 1-F 20 | 400182X1 | 943 | 1-E 24 |
| 400059X1 | 821 | 1-E 12 | 400080X1 | 931 | 1-E 23 | 400111X1 | 1067 | 1-F 12 | 400182X1 | 947 | 1-E 24 |
| 400060X1 | 195 | 1-B 21 | 400080X1 | 933 | 1-E 23 | 400111X1 | 1069 | 1-F 12 | 400184X1 | 995 | 1-F 5 |

MT800B SERIES TRACTORS

33 INDEX

| Part No. | Page | Grid | Part No. | Page | Grid | Part No. | Page | Grid | Part No. | Page | Grid |
|----------|------|--------|----------|------|--------|----------|------|--------|----------|------|--------|
| 400185X1 | 1003 | 1-F 6 | 400227X1 | 241 | 1-C 2 | 400257X1 | 529 | 1-D 6 | 400287X1 | 579 | 1-D 11 |
| 400186X1 | 1035 | 1-F 9 | 400227X1 | 323 | 1-C 10 | 400257X1 | 533 | 1-D 7 | 400287X1 | 581 | 1-D 12 |
| 400187X1 | 947 | 1-E 24 | 400227X1 | 325 | 1-C 10 | 400260X1 | 639 | 1-D 17 | 400287X1 | 583 | 1-D 12 |
| 400188X1 | 195 | 1-B 21 | 400227X1 | 341 | 1-C 12 | 400261X1 | 655 | 1-D 19 | 400287X1 | 587 | 1-D 12 |
| 400190X1 | 825 | 1-E 12 | 400227X1 | 343 | 1-C 12 | 400263X1 | 943 | 1-E 24 | 400287X1 | 589 | 1-D 12 |
| 400190X1 | 1017 | 1-F 7 | 400227X1 | 347 | 1-C 12 | 400263X1 | 945 | 1-E 24 | 400287X1 | 591 | 1-D 13 |
| 400190X1 | 1019 | 1-F 7 | 400227X1 | 349 | 1-C 12 | 400265X1 | 285 | 1-C 6 | 400287X1 | 597 | 1-D 13 |
| 400191X1 | 535 | 1-D 7 | 400227X1 | 529 | 1-D 6 | 400267X1 | 513 | 1-D 5 | 400287X1 | 703 | 1-D 24 |
| 400191X1 | 579 | 1-D 11 | 400227X1 | 531 | 1-D 7 | 400267X1 | 515 | 1-D 5 | 400287X1 | 705 | 1-D 24 |
| 400191X1 | 589 | 1-D 12 | 400227X1 | 639 | 1-D 17 | 400267X1 | 517 | 1-D 5 | 400287X1 | 709 | 1-D 24 |
| 400191X1 | 639 | 1-D 17 | 400227X1 | 655 | 1-D 19 | 400267X1 | 519 | 1-D 5 | 400287X1 | 711 | 1-E 1 |
| 400191X1 | 665 | 1-D 20 | 400227X1 | 731 | 1-E 3 | 400268X1 | 511 | 1-D 5 | 400287X1 | 713 | 1-E 1 |
| 400191X1 | 667 | 1-D 20 | 400227X1 | 735 | 1-E 3 | 400270X1 | 931 | 1-E 23 | 400287X1 | 715 | 1-E 1 |
| 400191X1 | 931 | 1-E 23 | 400227X1 | 1017 | 1-F 7 | 400272X1 | 665 | 1-D 20 | 400287X1 | 719 | 1-E 1 |
| 400191X1 | 933 | 1-E 23 | 400227X1 | 1019 | 1-F 7 | 400272X1 | 667 | 1-D 20 | 400287X1 | 721 | 1-E 2 |
| 400191X1 | 947 | 1-E 24 | 400227X1 | 1083 | 1-F 14 | 400274X1 | 103 | 1-B 12 | 400287X1 | 727 | 1-E 2 |
| 400191X1 | 965 | 1-F 2 | 400227X1 | 1085 | 1-F 14 | 400275X1 | 575 | 1-D 11 | 400287X1 | 731 | 1-E 3 |
| 400191X1 | 967 | 1-F 2 | 400227X1 | 1211 | 1-G 3 | 400276X1 | 617 | 1-D 15 | 400287X1 | 735 | 1-E 3 |
| 400194X1 | 511 | 1-D 5 | 400228X1 | 631 | 1-D 17 | 400277X1 | 555 | 1-D 9 | 400287X1 | 737 | 1-E 3 |
| 400194X1 | 513 | 1-D 5 | 400228X1 | 633 | 1-D 17 | 400277X1 | 559 | 1-D 9 | 400287X1 | 739 | 1-E 3 |
| 400194X1 | 515 | 1-D 5 | 400228X1 | 635 | 1-D 17 | 400278X1 | 617 | 1-D 15 | 400287X1 | 747 | 1-E 4 |
| 400194X1 | 517 | 1-D 5 | 400228X1 | 637 | 1-D 17 | 400280X1 | 91 | 1-B 11 | 400287X1 | 749 | 1-E 4 |
| 400194X1 | 519 | 1-D 5 | 400229X1 | 105 | 1-B 12 | 400281X1 | 91 | 1-B 11 | 400287X1 | 791 | 1-E 9 |
| 400194X1 | 571 | 1-D 11 | 400230X1 | 229 | 1-B 24 | 400282X1 | 1155 | 1-F 21 | 400287X1 | 793 | 1-E 9 |
| 400194X1 | 933 | 1-E 23 | 400230X1 | 231 | 1-C 1 | 400282X1 | 1157 | 1-F 21 | 400287X1 | 799 | 1-E 9 |
| 400197X1 | 535 | 1-D 7 | 400230X1 | 233 | 1-C 1 | 400283X1 | 965 | 1-F 2 | 400287X1 | 803 | 1-E 10 |
| 400198X1 | 947 | 1-E 24 | 400232X1 | 995 | 1-F 5 | 400283X1 | 967 | 1-F 2 | 400287X1 | 807 | 1-E 10 |
| 400199X1 | 567 | 1-D 10 | 400234X1 | 535 | 1-D 7 | 400284X1 | 965 | 1-F 2 | 400287X1 | 809 | 1-E 10 |
| 400200X1 | 567 | 1-D 10 | 400234X1 | 727 | 1-E 2 | 400284X1 | 967 | 1-F 2 | 400287X1 | 811 | 1-E 11 |
| 400205X1 | 195 | 1-B 21 | 400236X1 | 511 | 1-D 5 | 400285X1 | 965 | 1-F 2 | 400287X1 | 813 | 1-E 11 |
| 400205X1 | 815 | 1-E 11 | 400236X1 | 513 | 1-D 5 | 400285X1 | 967 | 1-F 2 | 400287X1 | 817 | 1-E 11 |
| 400205X1 | 933 | 1-E 23 | 400236X1 | 515 | 1-D 5 | 400286X1 | 639 | 1-D 17 | 400287X1 | 819 | 1-E 11 |
| 400208X1 | 197 | 1-B 21 | 400236X1 | 517 | 1-D 5 | 400286X1 | 965 | 1-F 2 | 400287X1 | 821 | 1-E 12 |
| 400208X1 | 199 | 1-B 21 | 400236X1 | 519 | 1-D 5 | 400286X1 | 967 | 1-F 2 | 400287X1 | 823 | 1-E 12 |
| 400208X1 | 257 | 1-C 3 | 400236X1 | 571 | 1-D 11 | 400286X1 | 1211 | 1-G 3 | 400287X1 | 825 | 1-E 12 |
| 400208X1 | 259 | 1-C 3 | 400236X1 | 967 | 1-F 2 | 400287X1 | 93 | 1-B 11 | 400287X1 | 881 | 1-E 18 |
| 400209X1 | 343 | 1-C 12 | 400238X1 | 853 | 1-E 15 | 400287X1 | 95 | 1-B 11 | 400287X1 | 885 | 1-E 18 |
| 400209X1 | 347 | 1-C 12 | 400239X1 | 93 | 1-B 11 | 400287X1 | 109 | 1-B 12 | 400287X1 | 943 | 1-E 24 |
| 400210X1 | 851 | 1-E 15 | 400239X1 | 95 | 1-B 11 | 400287X1 | 115 | 1-B 13 | 400287X1 | 947 | 1-E 24 |
| 400211X1 | 233 | 1-C 1 | 400239X1 | 137 | 1-B 15 | 400287X1 | 117 | 1-B 13 | 400287X1 | 967 | 1-F 2 |
| 400213X1 | 507 | 1-D 4 | 400239X1 | 719 | 1-E 1 | 400287X1 | 119 | 1-B 13 | 400287X1 | 971 | 1-F 3 |
| 400213X1 | 509 | 1-D 4 | 400240X1 | 293 | 1-C 7 | 400287X1 | 121 | 1-B 14 | 400287X1 | 973 | 1-F 3 |
| 400213X1 | 679 | 1-D 21 | 400240X1 | 735 | 1-E 3 | 400287X1 | 123 | 1-B 14 | 400287X1 | 977 | 1-F 3 |
| 400213X1 | 991 | 1-F 5 | 400241X1 | 817 | 1-E 11 | 400287X1 | 125 | 1-B 14 | 400287X1 | 979 | 1-F 3 |
| 400217X1 | 833 | 1-E 13 | 400242X1 | 731 | 1-E 3 | 400287X1 | 131 | 1-B 15 | 400287X1 | 983 | 1-F 4 |
| 400220X1 | 759 | 1-E 5 | 400242X1 | 735 | 1-E 3 | 400287X1 | 133 | 1-B 15 | 400287X1 | 991 | 1-F 5 |
| 400220X1 | 845 | 1-E 14 | 400244X1 | 369 | 1-C 14 | 400287X1 | 139 | 1-B 15 | 400287X1 | 1017 | 1-F 7 |
| 400220X1 | 853 | 1-E 15 | 400244X1 | 659 | 1-D 19 | 400287X1 | 141 | 1-B 16 | 400287X1 | 1019 | 1-F 7 |
| 400221X1 | 189 | 1-B 20 | 400244X1 | 931 | 1-E 23 | 400287X1 | 145 | 1-B 16 | 400287X1 | 1025 | 1-F 8 |
| 400221X1 | 243 | 1-C 2 | 400244X1 | 947 | 1-E 24 | 400287X1 | 147 | 1-B 16 | 400287X1 | 1033 | 1-F 9 |
| 400221X1 | 555 | 1-D 9 | 400244X1 | 965 | 1-F 2 | 400287X1 | 155 | 1-B 17 | 400287X1 | 1059 | 1-F 11 |
| 400221X1 | 559 | 1-D 9 | 400244X1 | 967 | 1-F 2 | 400287X1 | 157 | 1-B 17 | 400287X1 | 1061 | 1-F 12 |
| 400221X1 | 569 | 1-D 10 | 400245X1 | 555 | 1-D 9 | 400287X1 | 159 | 1-B 17 | 400287X1 | 1071 | 1-F 13 |
| 400221X1 | 1001 | 1-F 6 | 400245X1 | 559 | 1-D 9 | 400287X1 | 165 | 1-B 18 | 400287X1 | 1083 | 1-F 14 |
| 400221X1 | 1003 | 1-F 6 | 400245X1 | 561 | 1-D 10 | 400287X1 | 167 | 1-B 18 | 400287X1 | 1085 | 1-F 14 |
| 400221X1 | 1053 | 1-F 11 | 400245X1 | 689 | 1-D 22 | 400287X1 | 169 | 1-B 18 | 400287X1 | 1153 | 1-F 21 |
| 400221X1 | 1139 | 1-F 19 | 400245X1 | 715 | 1-E 1 | 400287X1 | 171 | 1-B 19 | 400287X1 | 1155 | 1-F 21 |
| 400221X1 | 1155 | 1-F 21 | 400245X1 | 1067 | 1-F 12 | 400287X1 | 185 | 1-B 20 | 400287X1 | 1157 | 1-F 21 |
| 400222X1 | 947 | 1-E 24 | 400245X1 | 1069 | 1-F 12 | 400287X1 | 189 | 1-B 20 | 400288X1 | 965 | 1-F 2 |
| 400225X1 | 109 | 1-B 12 | 400246X1 | 845 | 1-E 14 | 400287X1 | 193 | 1-B 21 | 400288X1 | 967 | 1-F 2 |
| 400225X1 | 145 | 1-B 16 | 400246X1 | 853 | 1-E 15 | 400287X1 | 195 | 1-B 21 | 400288X1 | 991 | 1-F 5 |
| 400225X1 | 147 | 1-B 16 | 400247X1 | 131 | 1-B 15 | 400287X1 | 197 | 1-B 21 | 400289X1 | 535 | 1-D 7 |
| 400225X1 | 189 | 1-B 20 | 400247X1 | 133 | 1-B 15 | 400287X1 | 199 | 1-B 21 | 400289X1 | 641 | 1-D 18 |
| 400225X1 | 575 | 1-D 11 | 400249X1 | 93 | 1-B 11 | 400287X1 | 241 | 1-C 2 | 400289X1 | 965 | 1-F 2 |
| 400225X1 | 589 | 1-D 12 | 400251X1 | 321 | 1-C 10 | 400287X1 | 283 | 1-C 6 | 400289X1 | 967 | 1-F 2 |
| 400225X1 | 705 | 1-D 24 | 400251X1 | 323 | 1-C 10 | 400287X1 | 323 | 1-C 10 | 400290X1 | 965 | 1-F 2 |
| 400225X1 | 711 | 1-E 1 | 400251X1 | 325 | 1-C 10 | 400287X1 | 327 | 1-C 10 | 400290X1 | 967 | 1-F 2 |
| 400225X1 | 881 | 1-E 18 | 400251X1 | 327 | 1-C 10 | 400287X1 | 341 | 1-C 12 | 400290X1 | 977 | 1-F 3 |
| 400225X1 | 971 | 1-F 3 | 400251X1 | 343 | 1-C 12 | 400287X1 | 347 | 1-C 12 | 400291X1 | 965 | 1-F 2 |
| 400226X1 | 547 | 1-D 8 | 400251X1 | 349 | 1-C 12 | 400287X1 | 349 | 1-C 12 | 400291X1 | 967 | 1-F 2 |
| 400226X1 | 727 | 1-E 2 | 400252X1 | 101 | 1-B 12 | 400287X1 | 535 | 1-D 7 | 400292X1 | 1001 | 1-F 6 |
| 400226X1 | 973 | 1-F 3 | 400254X1 | 1039 | 1-F 9 | 400287X1 | 547 | 1-D 8 | 400292X1 | 1003 | 1-F 6 |
| 400227X1 | 145 | 1-B 16 | 400254X1 | 1043 | 1-F 10 | 400287X1 | 549 | 1-D 8 | 400292X1 | 1157 | 1-F 21 |
| 400227X1 | 147 | 1-B 16 | 400256X1 | 1035 | 1-F 9 | 400287X1 | 555 | 1-D 9 | 400293X1 | 1003 | 1-F 6 |
| 400227X1 | 195 | 1-B 21 | 400256X1 | 1051 | 1-F 11 | 400287X1 | 575 | 1-D 11 | 400294X1 | 1001 | 1-F 6 |

INDEX

| Part No. | Page | Grid | Part No. | Page | Grid | Part No. | Page | Grid | Part No. | Page | Grid |
|----------|------|--------|----------|------|--------|----------|------|--------|----------|------|--------|
| 400295X1 | 197 | 1-B 21 | 400318X1 | 767 | 1-E 6 | 400333X1 | 1051 | 1-F 11 | 400341X1 | 583 | 1-D 12 |
| 400295X1 | 1003 | 1-F 6 | 400318X1 | 769 | 1-E 6 | 400333X1 | 1149 | 1-F 20 | 400341X1 | 709 | 1-D 24 |
| 400296X1 | 1001 | 1-F 6 | 400318X1 | 783 | 1-E 8 | 400333X1 | 1151 | 1-F 21 | 400341X1 | 947 | 1-E 24 |
| 400296X1 | 1003 | 1-F 6 | 400318X1 | 795 | 1-E 9 | 400334X1 | 163 | 1-B 18 | 400341X1 | 997 | 1-F 5 |
| 400297X1 | 1003 | 1-F 6 | 400318X1 | 805 | 1-E 10 | 400334X1 | 1035 | 1-F 9 | 400341X1 | 999 | 1-F 5 |
| 400298X1 | 1001 | 1-F 6 | 400318X1 | 807 | 1-E 10 | 400336X1 | 105 | 1-B 12 | 400347X1 | 727 | 1-E 2 |
| 400298X1 | 1003 | 1-F 6 | 400318X1 | 813 | 1-E 11 | 400339X1 | 93 | 1-B 11 | 400348X1 | 727 | 1-E 2 |
| 400299X1 | 1001 | 1-F 6 | 400318X1 | 815 | 1-E 11 | 400339X1 | 107 | 1-B 12 | 400350X1 | 507 | 1-D 4 |
| 400300X1 | 189 | 1-B 20 | 400318X1 | 823 | 1-E 12 | 400339X1 | 121 | 1-B 14 | 400350X1 | 509 | 1-D 4 |
| 400300X1 | 229 | 1-B 24 | 400318X1 | 825 | 1-E 12 | 400339X1 | 123 | 1-B 14 | 400352X1 | 729 | 1-E 2 |
| 400300X1 | 231 | 1-C 1 | 400318X1 | 851 | 1-E 15 | 400339X1 | 167 | 1-B 18 | 400352X1 | 733 | 1-E 3 |
| 400300X1 | 233 | 1-C 1 | 400318X1 | 881 | 1-E 18 | 400339X1 | 195 | 1-B 21 | 400352X1 | 739 | 1-E 3 |
| 400300X1 | 239 | 1-C 1 | 400318X1 | 883 | 1-E 18 | 400339X1 | 239 | 1-C 1 | 400354X1 | 1211 | 1-G 3 |
| 400300X1 | 291 | 1-C 7 | 400318X1 | 885 | 1-E 18 | 400339X1 | 241 | 1-C 2 | 400356X1 | 1023 | 1-F 8 |
| 400300X1 | 527 | 1-D 6 | 400318X1 | 895 | 1-E 19 | 400339X1 | 283 | 1-C 6 | 400357X1 | 101 | 1-B 12 |
| 400300X1 | 569 | 1-D 10 | 400318X1 | 905 | 1-E 20 | 400339X1 | 341 | 1-C 12 | 400357X1 | 103 | 1-B 12 |
| 400300X1 | 947 | 1-E 24 | 400318X1 | 909 | 1-E 20 | 400339X1 | 343 | 1-C 12 | 400357X1 | 111 | 1-B 13 |
| 400300X1 | 1001 | 1-F 6 | 400318X1 | 911 | 1-E 21 | 400339X1 | 347 | 1-C 12 | 400357X1 | 113 | 1-B 13 |
| 400300X1 | 1003 | 1-F 6 | 400318X1 | 913 | 1-E 21 | 400339X1 | 349 | 1-C 12 | 400357X1 | 119 | 1-B 13 |
| 400300X1 | 1053 | 1-F 11 | 400318X1 | 915 | 1-E 21 | 400339X1 | 537 | 1-D 7 | 400357X1 | 163 | 1-B 18 |
| 400300X1 | 1081 | 1-F 14 | 400319X1 | 95 | 1-B 11 | 400339X1 | 559 | 1-D 9 | 400357X1 | 185 | 1-B 20 |
| 400300X1 | 1089 | 1-F 14 | 400319X1 | 717 | 1-E 1 | 400339X1 | 563 | 1-D 10 | 400357X1 | 189 | 1-B 20 |
| 400300X1 | 1115 | 1-F 17 | 400319X1 | 725 | 1-E 2 | 400339X1 | 565 | 1-D 10 | 400357X1 | 275 | 1-C 5 |
| 400300X1 | 1149 | 1-F 20 | 400319X1 | 759 | 1-E 5 | 400339X1 | 579 | 1-D 11 | 400357X1 | 277 | 1-C 5 |
| 400300X1 | 1151 | 1-F 21 | 400319X1 | 761 | 1-E 6 | 400339X1 | 583 | 1-D 12 | 400357X1 | 341 | 1-C 12 |
| 400300X1 | 1155 | 1-F 21 | 400319X1 | 791 | 1-E 9 | 400339X1 | 587 | 1-D 12 | 400357X1 | 349 | 1-C 12 |
| 400301X1 | 1001 | 1-F 6 | 400319X1 | 793 | 1-E 9 | 400339X1 | 639 | 1-D 17 | 400357X1 | 365 | 1-C 14 |
| 400301X1 | 1003 | 1-F 6 | 400319X1 | 795 | 1-E 9 | 400339X1 | 655 | 1-D 19 | 400357X1 | 369 | 1-C 14 |
| 400302X1 | 1001 | 1-F 6 | 400319X1 | 803 | 1-E 10 | 400339X1 | 709 | 1-D 24 | 400357X1 | 507 | 1-D 4 |
| 400305X1 | 1001 | 1-F 6 | 400319X1 | 807 | 1-E 10 | 400339X1 | 715 | 1-E 1 | 400357X1 | 509 | 1-D 4 |
| 400305X1 | 1003 | 1-F 6 | 400319X1 | 809 | 1-E 10 | 400339X1 | 719 | 1-E 1 | 400357X1 | 515 | 1-D 5 |
| 400306X1 | 1001 | 1-F 6 | 400319X1 | 811 | 1-E 11 | 400339X1 | 727 | 1-E 2 | 400357X1 | 517 | 1-D 5 |
| 400307X1 | 1001 | 1-F 6 | 400319X1 | 825 | 1-E 12 | 400339X1 | 731 | 1-E 3 | 400357X1 | 519 | 1-D 5 |
| 400307X1 | 1003 | 1-F 6 | 400319X1 | 827 | 1-E 12 | 400339X1 | 735 | 1-E 3 | 400357X1 | 539 | 1-D 7 |
| 400308X1 | 1001 | 1-F 6 | 400319X1 | 845 | 1-E 14 | 400339X1 | 751 | 1-E 5 | 400357X1 | 547 | 1-D 8 |
| 400308X1 | 1003 | 1-F 6 | 400319X1 | 881 | 1-E 18 | 400339X1 | 791 | 1-E 9 | 400357X1 | 559 | 1-D 9 |
| 400309X1 | 1001 | 1-F 6 | 400319X1 | 885 | 1-E 18 | 400339X1 | 793 | 1-E 9 | 400357X1 | 575 | 1-D 11 |
| 400309X1 | 1003 | 1-F 6 | 400319X1 | 907 | 1-E 20 | 400339X1 | 803 | 1-E 10 | 400357X1 | 579 | 1-D 11 |
| 400310X1 | 163 | 1-B 18 | 400319X1 | 973 | 1-F 3 | 400339X1 | 947 | 1-E 24 | 400357X1 | 583 | 1-D 12 |
| 400310X1 | 243 | 1-C 2 | 400319X1 | 975 | 1-F 3 | 400339X1 | 1051 | 1-F 11 | 400357X1 | 587 | 1-D 12 |
| 400310X1 | 333 | 1-C 11 | 400322X1 | 91 | 1-B 11 | 400339X1 | 1083 | 1-F 14 | 400357X1 | 589 | 1-D 12 |
| 400310X1 | 335 | 1-C 11 | 400322X1 | 95 | 1-B 11 | 400339X1 | 1085 | 1-F 14 | 400357X1 | 591 | 1-D 13 |
| 400310X1 | 527 | 1-D 6 | 400322X1 | 131 | 1-B 15 | 400339X1 | 1115 | 1-F 17 | 400357X1 | 595 | 1-D 13 |
| 400310X1 | 555 | 1-D 9 | 400322X1 | 133 | 1-B 15 | 400340X1 | 143 | 1-B 16 | 400357X1 | 597 | 1-D 13 |
| 400310X1 | 557 | 1-D 9 | 400322X1 | 337 | 1-C 11 | 400340X1 | 195 | 1-B 21 | 400357X1 | 669 | 1-D 20 |
| 400310X1 | 559 | 1-D 9 | 400322X1 | 901 | 1-E 20 | 400340X1 | 197 | 1-B 21 | 400357X1 | 671 | 1-D 21 |
| 400310X1 | 593 | 1-D 13 | 400322X1 | 905 | 1-E 20 | 400340X1 | 199 | 1-B 21 | 400357X1 | 739 | 1-E 3 |
| 400310X1 | 813 | 1-E 11 | 400322X1 | 909 | 1-E 20 | 400340X1 | 239 | 1-C 1 | 400357X1 | 789 | 1-E 8 |
| 400310X1 | 933 | 1-E 23 | 400322X1 | 911 | 1-E 21 | 400340X1 | 241 | 1-C 2 | 400357X1 | 791 | 1-E 9 |
| 400310X1 | 1001 | 1-F 6 | 400322X1 | 913 | 1-E 21 | 400340X1 | 283 | 1-C 6 | 400357X1 | 793 | 1-E 9 |
| 400310X1 | 1003 | 1-F 6 | 400322X1 | 969 | 1-F 2 | 400340X1 | 529 | 1-D 6 | 400357X1 | 803 | 1-E 10 |
| 400310X1 | 1083 | 1-F 14 | 400322X1 | 971 | 1-F 3 | 400340X1 | 565 | 1-D 10 | 400357X1 | 809 | 1-E 10 |
| 400310X1 | 1085 | 1-F 14 | 400322X1 | 975 | 1-F 3 | 400340X1 | 689 | 1-D 22 | 400357X1 | 811 | 1-E 11 |
| 400310X1 | 1133 | 1-F 19 | 400323X1 | 631 | 1-D 17 | 400340X1 | 751 | 1-E 5 | 400357X1 | 817 | 1-E 11 |
| 400310X1 | 1139 | 1-F 19 | 400323X1 | 633 | 1-D 17 | 400340X1 | 997 | 1-F 5 | 400357X1 | 819 | 1-E 11 |
| 400311X1 | 785 | 1-E 8 | 400323X1 | 635 | 1-D 17 | 400340X1 | 999 | 1-F 5 | 400357X1 | 821 | 1-E 12 |
| 400313X1 | 191 | 1-B 21 | 400323X1 | 637 | 1-D 17 | 400340X1 | 1051 | 1-F 11 | 400357X1 | 825 | 1-E 12 |
| 400313X1 | 1025 | 1-F 8 | 400323X1 | 709 | 1-D 24 | 400340X1 | 1053 | 1-F 11 | 400357X1 | 827 | 1-E 12 |
| 400313X1 | 1085 | 1-F 14 | 400323X1 | 717 | 1-E 1 | 400340X1 | 1149 | 1-F 20 | 400357X1 | 829 | 1-E 12 |
| 400313X1 | 1149 | 1-F 20 | 400323X1 | 723 | 1-E 2 | 400340X1 | 1151 | 1-F 21 | 400357X1 | 831 | 1-E 13 |
| 400313X1 | 1151 | 1-F 21 | 400323X1 | 725 | 1-E 2 | 400340X1 | 1153 | 1-F 21 | 400357X1 | 833 | 1-E 13 |
| 400318X1 | 165 | 1-B 18 | 400323X1 | 795 | 1-E 9 | 400340X1 | 1155 | 1-F 21 | 400357X1 | 839 | 1-E 13 |
| 400318X1 | 341 | 1-C 12 | 400323X1 | 813 | 1-E 11 | 400341X1 | 121 | 1-B 14 | 400357X1 | 845 | 1-E 14 |
| 400318X1 | 343 | 1-C 12 | 400323X1 | 819 | 1-E 11 | 400341X1 | 123 | 1-B 14 | 400357X1 | 853 | 1-E 15 |
| 400318X1 | 349 | 1-C 12 | 400323X1 | 821 | 1-E 12 | 400341X1 | 195 | 1-B 21 | 400357X1 | 947 | 1-E 24 |
| 400318X1 | 367 | 1-C 14 | 400323X1 | 827 | 1-E 12 | 400341X1 | 341 | 1-C 12 | 400357X1 | 949 | 1-E 24 |
| 400318X1 | 631 | 1-D 17 | 400324X1 | 709 | 1-D 24 | 400341X1 | 343 | 1-C 12 | 400357X1 | 1115 | 1-F 17 |
| 400318X1 | 633 | 1-D 17 | 400324X1 | 717 | 1-E 1 | 400341X1 | 347 | 1-C 12 | 400358X1 | 93 | 1-B 11 |
| 400318X1 | 635 | 1-D 17 | 400324X1 | 795 | 1-E 9 | 400341X1 | 529 | 1-D 6 | 400358X1 | 95 | 1-B 11 |
| 400318X1 | 637 | 1-D 17 | 400324X1 | 813 | 1-E 11 | 400341X1 | 531 | 1-D 7 | 400358X1 | 369 | 1-C 14 |
| 400318X1 | 709 | 1-D 24 | 400330X1 | 1051 | 1-F 11 | 400341X1 | 537 | 1-D 7 | 400358X1 | 617 | 1-D 15 |
| 400318X1 | 717 | 1-E 1 | 400330X1 | 1149 | 1-F 20 | 400341X1 | 555 | 1-D 9 | 400358X1 | 803 | 1-E 10 |
| 400318X1 | 723 | 1-E 2 | 400330X1 | 1151 | 1-F 21 | 400341X1 | 557 | 1-D 9 | 400359X1 | 809 | 1-E 10 |
| 400318X1 | 725 | 1-E 2 | 400331X1 | 1051 | 1-F 11 | 400341X1 | 559 | 1-D 9 | 400359X1 | 811 | 1-E 11 |
| 400318X1 | 727 | 1-E 2 | 400332X1 | 1051 | 1-F 11 | 400341X1 | 565 | 1-D 10 | 400359X1 | 817 | 1-E 11 |

MT800B SERIES TRACTORS

35 INDEX

| Part No. | Page | Grid | Part No. | Page | Grid | Part No. | Page | Grid | Part No. | Page | Grid |
|----------|------|--------|----------|------|--------|----------|------|--------|----------|------|--------|
| 400360X1 | 795 | 1-E 9 | 400376X1 | 151 | 1-B 17 | 400486X1 | 1079 | 1-F 13 | 400599X1 | 591 | 1-D 13 |
| 400361X1 | 91 | 1-B 11 | 400376X1 | 153 | 1-B 17 | 400496X1 | 185 | 1-B 20 | 400599X1 | 679 | 1-D 21 |
| 400361X1 | 95 | 1-B 11 | 400376X1 | 363 | 1-C 14 | 400496X1 | 187 | 1-B 20 | 400599X1 | 689 | 1-D 22 |
| 400361X1 | 131 | 1-B 15 | 400376X1 | 631 | 1-D 17 | 400497X1 | 359 | 1-C 13 | 400599X1 | 997 | 1-F 5 |
| 400361X1 | 133 | 1-B 15 | 400376X1 | 633 | 1-D 17 | 400511X1 | 185 | 1-B 20 | 400599X1 | 999 | 1-F 5 |
| 400361X1 | 343 | 1-C 12 | 400376X1 | 635 | 1-D 17 | 400511X1 | 187 | 1-B 20 | 400599X1 | 1053 | 1-F 11 |
| 400361X1 | 349 | 1-C 12 | 400376X1 | 637 | 1-D 17 | 400511X1 | 253 | 1-C 3 | 400599X1 | 1067 | 1-F 12 |
| 400361X1 | 717 | 1-E 1 | 400376X1 | 767 | 1-E 6 | 400511X1 | 345 | 1-C 12 | 400599X1 | 1069 | 1-F 12 |
| 400361X1 | 725 | 1-E 2 | 400376X1 | 783 | 1-E 8 | 400553X1 | 1033 | 1-F 9 | 400599X1 | 1141 | 1-F 20 |
| 400361X1 | 729 | 1-E 2 | 400376X1 | 795 | 1-E 9 | 400561X1 | 207 | 1-B 22 | 400599X1 | 1149 | 1-F 20 |
| 400361X1 | 733 | 1-E 3 | 400376X1 | 805 | 1-E 10 | 400561X1 | 1155 | 1-F 21 | 400599X1 | 1151 | 1-F 21 |
| 400361X1 | 739 | 1-E 3 | 400376X1 | 809 | 1-E 10 | 400561X1 | 1157 | 1-F 21 | 400602X1 | 283 | 1-C 6 |
| 400361X1 | 753 | 1-E 5 | 400376X1 | 811 | 1-E 11 | 400562X1 | 209 | 1-B 22 | 400603X1 | 1059 | 1-F 11 |
| 400361X1 | 795 | 1-E 9 | 400376X1 | 813 | 1-E 11 | 400562X1 | 227 | 1-B 24 | 400603X1 | 1061 | 1-F 12 |
| 400361X1 | 803 | 1-E 10 | 400376X1 | 815 | 1-E 11 | 400562X1 | 253 | 1-C 3 | 400604X1 | 1059 | 1-F 11 |
| 400361X1 | 813 | 1-E 11 | 400376X1 | 819 | 1-E 11 | 400562X1 | 297 | 1-C 7 | 400604X1 | 1061 | 1-F 12 |
| 400361X1 | 827 | 1-E 12 | 400376X1 | 821 | 1-E 12 | 400562X1 | 319 | 1-C 9 | 400607X1 | 723 | 1-E 2 |
| 400361X1 | 845 | 1-E 14 | 400376X1 | 827 | 1-E 12 | 400562X1 | 327 | 1-C 10 | 400607X1 | 725 | 1-E 2 |
| 400361X1 | 851 | 1-E 15 | 400376X1 | 895 | 1-E 19 | 400562X1 | 333 | 1-C 11 | 400607X1 | 819 | 1-E 11 |
| 400361X1 | 853 | 1-E 15 | 400377X1 | 95 | 1-B 11 | 400562X1 | 345 | 1-C 12 | 400607X1 | 821 | 1-E 12 |
| 400361X1 | 915 | 1-E 21 | 400377X1 | 725 | 1-E 2 | 400562X1 | 349 | 1-C 12 | 400614X1 | 727 | 1-E 2 |
| 400361X1 | 943 | 1-E 24 | 400377X1 | 729 | 1-E 2 | 400564X1 | 793 | 1-E 9 | 400616X1 | 971 | 1-F 3 |
| 400363X1 | 803 | 1-E 10 | 400377X1 | 731 | 1-E 3 | 400568X1 | 793 | 1-E 9 | 400618X1 | 727 | 1-E 2 |
| 400365X1 | 171 | 1-B 19 | 400377X1 | 733 | 1-E 3 | 400569X1 | 793 | 1-E 9 | 400620X1 | 709 | 1-D 24 |
| 400365X1 | 795 | 1-E 9 | 400377X1 | 735 | 1-E 3 | 400570X1 | 103 | 1-B 12 | 400621X1 | 731 | 1-E 3 |
| 400365X1 | 803 | 1-E 10 | 400377X1 | 795 | 1-E 9 | 400570X1 | 287 | 1-C 6 | 400621X1 | 735 | 1-E 3 |
| 400365X1 | 805 | 1-E 10 | 400377X1 | 803 | 1-E 10 | 400570X1 | 289 | 1-C 6 | 400621X1 | 737 | 1-E 3 |
| 400365X1 | 809 | 1-E 10 | 400377X1 | 813 | 1-E 11 | 400576X1 | 1033 | 1-F 9 | 400625X1 | 717 | 1-E 1 |
| 400365X1 | 811 | 1-E 11 | 400378X1 | 709 | 1-D 24 | 400577X1 | 803 | 1-E 10 | 400627X1 | 167 | 1-B 18 |
| 400365X1 | 813 | 1-E 11 | 400378X1 | 717 | 1-E 1 | 400578X1 | 803 | 1-E 10 | 400627X1 | 169 | 1-B 18 |
| 400365X1 | 815 | 1-E 11 | 400378X1 | 725 | 1-E 2 | 400580X1 | 805 | 1-E 10 | 400628X1 | 709 | 1-D 24 |
| 400365X1 | 921 | 1-E 22 | 400378X1 | 727 | 1-E 2 | 400582X1 | 805 | 1-E 10 | 400636X1 | 727 | 1-E 2 |
| 400366X1 | 91 | 1-B 11 | 400378X1 | 795 | 1-E 9 | 400583X1 | 171 | 1-B 19 | 400637X1 | 717 | 1-E 1 |
| 400366X1 | 95 | 1-B 11 | 400378X1 | 807 | 1-E 10 | 400584X1 | 805 | 1-E 10 | 400637X1 | 815 | 1-E 11 |
| 400366X1 | 131 | 1-B 15 | 400378X1 | 815 | 1-E 11 | 400584X1 | 815 | 1-E 11 | 400638X1 | 717 | 1-E 1 |
| 400366X1 | 133 | 1-B 15 | 400378X1 | 825 | 1-E 12 | 400586X1 | 805 | 1-E 10 | 400638X1 | 815 | 1-E 11 |
| 400366X1 | 719 | 1-E 1 | 400379X1 | 119 | 1-B 13 | 400588X1 | 805 | 1-E 10 | 400645X1 | 719 | 1-E 1 |
| 400366X1 | 739 | 1-E 3 | 400379X1 | 125 | 1-B 14 | 400588X1 | 827 | 1-E 12 | 400649X1 | 97 | 1-B 11 |
| 400366X1 | 791 | 1-E 9 | 400380X1 | 789 | 1-E 8 | 400589X1 | 805 | 1-E 10 | 400650X1 | 729 | 1-E 2 |
| 400366X1 | 793 | 1-E 9 | 400381X1 | 583 | 1-D 12 | 400590X1 | 803 | 1-E 10 | 400650X1 | 733 | 1-E 3 |
| 400366X1 | 795 | 1-E 9 | 400381X1 | 655 | 1-D 19 | 400591X1 | 803 | 1-E 10 | 400653X1 | 131 | 1-B 15 |
| 400366X1 | 803 | 1-E 10 | 400381X1 | 789 | 1-E 8 | 400593X1 | 223 | 1-B 24 | 400653X1 | 133 | 1-B 15 |
| 400366X1 | 805 | 1-E 10 | 400381X1 | 819 | 1-E 11 | 400593X1 | 225 | 1-B 24 | 400655X1 | 131 | 1-B 15 |
| 400366X1 | 809 | 1-E 10 | 400381X1 | 821 | 1-E 12 | 400593X1 | 631 | 1-D 17 | 400655X1 | 133 | 1-B 15 |
| 400366X1 | 811 | 1-E 11 | 400381X1 | 835 | 1-E 13 | 400593X1 | 633 | 1-D 17 | 400657X1 | 95 | 1-B 11 |
| 400366X1 | 815 | 1-E 11 | 400381X1 | 837 | 1-E 13 | 400593X1 | 635 | 1-D 17 | 400657X1 | 131 | 1-B 15 |
| 400366X1 | 827 | 1-E 12 | 400381X1 | 947 | 1-E 24 | 400593X1 | 637 | 1-D 17 | 400657X1 | 133 | 1-B 15 |
| 400366X1 | 971 | 1-F 3 | 400381X1 | 949 | 1-E 24 | 400593X1 | 805 | 1-E 10 | 400658X1 | 91 | 1-B 11 |
| 400367X1 | 717 | 1-E 1 | 400382X1 | 199 | 1-B 21 | 400593X1 | 809 | 1-E 10 | 400659X1 | 91 | 1-B 11 |
| 400367X1 | 795 | 1-E 9 | 400403X1 | 227 | 1-B 24 | 400593X1 | 811 | 1-E 11 | 400665X1 | 91 | 1-B 11 |
| 400367X1 | 807 | 1-E 10 | 400404X1 | 227 | 1-B 24 | 400593X1 | 815 | 1-E 11 | 400665X1 | 95 | 1-B 11 |
| 400367X1 | 825 | 1-E 12 | 400405X1 | 227 | 1-B 24 | 400593X1 | 971 | 1-F 3 | 400665X1 | 167 | 1-B 18 |
| 400368X1 | 725 | 1-E 2 | 400406X1 | 227 | 1-B 24 | 400595X1 | 805 | 1-E 10 | 400665X1 | 1059 | 1-F 11 |
| 400368X1 | 795 | 1-E 9 | 400407X1 | 227 | 1-B 24 | 400596X1 | 805 | 1-E 10 | 400665X1 | 1061 | 1-F 12 |
| 400368X1 | 813 | 1-E 11 | 400408X1 | 323 | 1-C 10 | 400597X1 | 341 | 1-C 12 | 400667X1 | 131 | 1-B 15 |
| 400369X1 | 795 | 1-E 9 | 400408X1 | 327 | 1-C 10 | 400597X1 | 343 | 1-C 12 | 400667X1 | 133 | 1-B 15 |
| 400370X1 | 795 | 1-E 9 | 400412X1 | 971 | 1-F 3 | 400597X1 | 349 | 1-C 12 | 400669X1 | 131 | 1-B 15 |
| 400373X1 | 95 | 1-B 11 | 400416X1 | 727 | 1-E 2 | 400597X1 | 805 | 1-E 10 | 400669X1 | 133 | 1-B 15 |
| 400374X1 | 759 | 1-E 5 | 400416X1 | 783 | 1-E 8 | 400597X1 | 809 | 1-E 10 | 400673X1 | 95 | 1-B 11 |
| 400374X1 | 761 | 1-E 6 | 400416X1 | 791 | 1-E 9 | 400597X1 | 811 | 1-E 11 | 400674X1 | 91 | 1-B 11 |
| 400374X1 | 795 | 1-E 9 | 400416X1 | 793 | 1-E 9 | 400598X1 | 171 | 1-B 19 | 400675X1 | 91 | 1-B 11 |
| 400374X1 | 845 | 1-E 14 | 400416X1 | 805 | 1-E 10 | 400598X1 | 805 | 1-E 10 | 400675X1 | 95 | 1-B 11 |
| 400374X1 | 881 | 1-E 18 | 400416X1 | 815 | 1-E 11 | 400599X1 | 91 | 1-B 11 | 400678X1 | 91 | 1-B 11 |
| 400374X1 | 885 | 1-E 18 | 400416X1 | 827 | 1-E 12 | 400599X1 | 131 | 1-B 15 | 400678X1 | 95 | 1-B 11 |
| 400375X1 | 511 | 1-D 5 | 400416X1 | 853 | 1-E 15 | 400599X1 | 133 | 1-B 15 | 400681X1 | 91 | 1-B 11 |
| 400375X1 | 513 | 1-D 5 | 400417X1 | 723 | 1-E 2 | 400599X1 | 143 | 1-B 16 | 400682X1 | 91 | 1-B 11 |
| 400375X1 | 631 | 1-D 17 | 400428X1 | 717 | 1-E 1 | 400599X1 | 145 | 1-B 16 | 400682X1 | 537 | 1-D 7 |
| 400375X1 | 633 | 1-D 17 | 400428X1 | 723 | 1-E 2 | 400599X1 | 147 | 1-B 16 | 400682X1 | 575 | 1-D 11 |
| 400375X1 | 635 | 1-D 17 | 400428X1 | 727 | 1-E 2 | 400599X1 | 537 | 1-D 7 | 400684X1 | 91 | 1-B 11 |
| 400375X1 | 637 | 1-D 17 | 400453X1 | 291 | 1-C 7 | 400599X1 | 547 | 1-D 8 | 400684X1 | 95 | 1-B 11 |
| 400375X1 | 851 | 1-E 15 | 400455X1 | 1073 | 1-F 13 | 400599X1 | 553 | 1-D 9 | 400686X1 | 167 | 1-B 18 |
| 400375X1 | 895 | 1-E 19 | 400455X1 | 1075 | 1-F 13 | 400599X1 | 555 | 1-D 9 | 400686X1 | 169 | 1-B 18 |
| 400376X1 | 91 | 1-B 11 | 400455X1 | 1077 | 1-F 13 | 400599X1 | 557 | 1-D 9 | 400687X1 | 91 | 1-B 11 |
| 400376X1 | 93 | 1-B 11 | 400472X1 | 185 | 1-B 20 | 400599X1 | 559 | 1-D 9 | 400688X1 | 117 | 1-B 13 |
| 400376X1 | 95 | 1-B 11 | 400472X1 | 187 | 1-B 20 | 400599X1 | 583 | 1-D 12 | 400688X1 | 123 | 1-B 14 |

INDEX

| Part No. | Page | Grid | Part No. | Page | Grid | Part No. | Page | Grid | Part No. | Page | Grid |
|----------|------|--------|----------|------|--------|----------|------|--------|----------|------|--------|
| 400688X1 | 139 | 1-B 15 | 400837X1 | 185 | 1-B 20 | 5H-8985 | 409 | 1-C 18 | 500250D1 | 631 | 1-D 17 |
| 400688X1 | 141 | 1-B 16 | 400837X1 | 187 | 1-B 20 | 5J-3886 | 381 | 1-C 16 | 500250D1 | 633 | 1-D 17 |
| 400688X1 | 737 | 1-E 3 | 400837X1 | 223 | 1-B 24 | 5J-3886 | 383 | 1-C 16 | 500291D1 | 167 | 1-B 18 |
| 400689X1 | 91 | 1-B 11 | 400837X1 | 225 | 1-B 24 | 5L-4751 | 419 | 1-C 19 | 500291D1 | 169 | 1-B 18 |
| 400689X1 | 95 | 1-B 11 | 400837X1 | 299 | 1-C 7 | 5L-4751 | 429 | 1-C 20 | 500317D1 | 161 | 1-B 18 |
| 400689X1 | 167 | 1-B 18 | 400837X1 | 317 | 1-C 9 | 5L-4751 | 439 | 1-C 21 | 500317D1 | 163 | 1-B 18 |
| 400689X1 | 169 | 1-B 18 | 400837X1 | 319 | 1-C 9 | 5L-4751 | 449 | 1-C 22 | 500317D1 | 321 | 1-C 10 |
| 400689X1 | 823 | 1-E 12 | 400837X1 | 323 | 1-C 10 | 5M-0578 | 421 | 1-C 20 | 500361D1 | 1081 | 1-F 14 |
| 400691X1 | 167 | 1-B 18 | 400837X1 | 325 | 1-C 10 | 5M-0578 | 431 | 1-C 21 | 500362D1 | 1081 | 1-F 14 |
| 400691X1 | 169 | 1-B 18 | 400837X1 | 327 | 1-C 10 | 5M-0578 | 441 | 1-C 22 | 500363D1 | 1081 | 1-F 14 |
| 400692X1 | 91 | 1-B 11 | 400837X1 | 333 | 1-C 11 | 5M-0578 | 451 | 1-C 23 | 500364D1 | 1081 | 1-F 14 |
| 400693X1 | 93 | 1-B 11 | 400837X1 | 335 | 1-C 11 | 5M-2051 | 453 | 1-C 23 | 500367D1 | 301 | 1-C 8 |
| 400693X1 | 131 | 1-B 15 | 400837X1 | 337 | 1-C 11 | 5M-3062 | 185 | 1-B 20 | 500371D1 | 1173 | 1-F 23 |
| 400693X1 | 133 | 1-B 15 | 400837X1 | 351 | 1-C 13 | 5M-6509 | 419 | 1-C 19 | 500371D1 | 1175 | 1-F 23 |
| 400695X1 | 189 | 1-B 20 | 400837X1 | 355 | 1-C 13 | 5M-6509 | 429 | 1-C 20 | 500371D1 | 1179 | 1-F 23 |
| 400695X1 | 1059 | 1-F 11 | 400837X1 | 357 | 1-C 13 | 5M-6509 | 439 | 1-C 21 | 500371D1 | 1181 | 1-F 24 |
| 400695X1 | 1061 | 1-F 12 | 400837X1 | 823 | 1-E 12 | 5M-6509 | 449 | 1-C 22 | 500371D1 | 1193 | 1-G 1 |
| 400696X1 | 93 | 1-B 11 | 400837X1 | 997 | 1-F 5 | 5M-7937 | 381 | 1-C 16 | 500371D1 | 1195 | 1-G 1 |
| 400697X1 | 93 | 1-B 11 | 400837X1 | 999 | 1-F 5 | 5M-7937 | 383 | 1-C 16 | 500371D1 | 1197 | 1-G 1 |
| 400699X1 | 131 | 1-B 15 | 400837X1 | 1059 | 1-F 11 | 5M-7937 | 465 | 1-C 24 | 500371D1 | 1199 | 1-G 1 |
| 400699X1 | 133 | 1-B 15 | 400837X1 | 1061 | 1-F 12 | 5M-7937 | 467 | 1-C 24 | 500371D1 | 1201 | 1-G 2 |
| 400700X1 | 791 | 1-E 9 | 400837X1 | 1155 | 1-F 21 | 5M-7937 | 487 | 1-D 2 | 500371D1 | 1203 | 1-G 2 |
| 400700X1 | 793 | 1-E 9 | 400861X1 | 297 | 1-C 7 | 5M-7937 | 493 | 1-D 3 | 500372D1 | 1173 | 1-F 23 |
| 400700X1 | 809 | 1-E 10 | 400862X1 | 229 | 1-B 24 | 5M-7937 | 499 | 1-D 3 | 500372D1 | 1175 | 1-F 23 |
| 400700X1 | 811 | 1-E 11 | 400862X1 | 231 | 1-C 1 | 5M-8034 | 239 | 1-C 1 | 500372D1 | 1181 | 1-F 24 |
| 400700X1 | 1059 | 1-F 11 | 400862X1 | 1217 | 1-G 3 | 5P-1404 | 385 | 1-C 16 | 500372D1 | 1193 | 1-G 1 |
| 400700X1 | 1061 | 1-F 12 | 400865X1 | 349 | 1-C 12 | 5P-3413 | 283 | 1-C 6 | 500372D1 | 1195 | 1-G 1 |
| 400701X1 | 93 | 1-B 11 | 400899X1 | 199 | 1-B 21 | 5P-6008 | 341 | 1-C 12 | 500372D1 | 1197 | 1-G 1 |
| 400701X1 | 95 | 1-B 11 | 400932X1 | 1001 | 1-F 6 | 5P-6254 | 417 | 1-C 19 | 500372D1 | 1199 | 1-G 1 |
| 400701X1 | 139 | 1-B 15 | 400932X1 | 1003 | 1-F 6 | 5P-6254 | 427 | 1-C 20 | 500372D1 | 1201 | 1-G 2 |
| 400701X1 | 141 | 1-B 16 | 400932X1 | 1217 | 1-G 3 | 5P-6254 | 437 | 1-C 21 | 500372D1 | 1203 | 1-G 2 |
| 400702X1 | 93 | 1-B 11 | 400941X1 | 199 | 1-B 21 | 5P-6254 | 447 | 1-C 22 | 500378D1 | 1033 | 1-F 9 |
| 400702X1 | 131 | 1-B 15 | 400944X1 | 139 | 1-B 15 | 5P-7843 | 415 | 1-C 19 | 500382D1 | 1035 | 1-F 9 |
| 400702X1 | 133 | 1-B 15 | 400944X1 | 141 | 1-B 16 | 5P-7843 | 423 | 1-C 20 | 500395D2 | 665 | 1-D 20 |
| 400702X1 | 139 | 1-B 15 | 400946X1 | 139 | 1-B 15 | 5P-7843 | 433 | 1-C 21 | 500395D2 | 667 | 1-D 20 |
| 400702X1 | 141 | 1-B 16 | 400946X1 | 141 | 1-B 16 | 5P-7843 | 443 | 1-C 22 | 500396D2 | 665 | 1-D 20 |
| 400702X1 | 167 | 1-B 18 | 400948X1 | 997 | 1-F 5 | 5P-8440 | 653 | 1-D 19 | 500396D2 | 667 | 1-D 20 |
| 400702X1 | 169 | 1-B 18 | 400952X1 | 131 | 1-B 15 | 5P-9085 | 653 | 1-D 19 | 500417D1 | 189 | 1-B 20 |
| 400702X1 | 817 | 1-E 11 | 400952X1 | 133 | 1-B 15 | 5S-7349 | 287 | 1-C 6 | 500419D1 | 1135 | 1-F 19 |
| 400702X1 | 1059 | 1-F 11 | 400958X1 | 121 | 1-B 14 | 5S-7349 | 289 | 1-C 6 | 500441D2 | 579 | 1-D 11 |
| 400702X1 | 1061 | 1-F 12 | 400961X1 | 791 | 1-E 9 | 500014D1 | 343 | 1-C 12 | 500442D1 | 1033 | 1-F 9 |
| 400703X1 | 93 | 1-B 11 | 400963X1 | 793 | 1-E 9 | 500014D1 | 349 | 1-C 12 | 500446D1 | 325 | 1-C 10 |
| 400703X1 | 95 | 1-B 11 | 400965X1 | 791 | 1-E 9 | 500016D1 | 177 | 1-B 19 | 500447D1 | 715 | 1-E 1 |
| 400704X1 | 91 | 1-B 11 | 400965X1 | 793 | 1-E 9 | 500016D1 | 181 | 1-B 20 | 500447D1 | 1217 | 1-G 3 |
| 400706X1 | 359 | 1-C 13 | 400967X1 | 791 | 1-E 9 | 500017D1 | 181 | 1-B 20 | 500450D1 | 1033 | 1-F 9 |
| 400708X1 | 319 | 1-C 9 | 400967X1 | 793 | 1-E 9 | 500019D1 | 181 | 1-B 20 | 500458D1 | 819 | 1-E 11 |
| 400708X1 | 327 | 1-C 10 | 400968X1 | 791 | 1-E 9 | 500038D1 | 135 | 1-B 15 | 500458D1 | 821 | 1-E 12 |
| 400715X1 | 1049 | 1-F 10 | 400968X1 | 793 | 1-E 9 | 500039D1 | 67 | 1-B 8 | 500468D1 | 679 | 1-D 21 |
| 400717X1 | 253 | 1-C 3 | 5B-5821 | 381 | 1-C 16 | 500039D1 | 69 | 1-B 8 | 500469D1 | 679 | 1-D 21 |
| 400718X1 | 1029 | 1-F 8 | 5B-5821 | 383 | 1-C 16 | 500039D1 | 71 | 1-B 9 | 500470D1 | 679 | 1-D 21 |
| 400753X1 | 247 | 1-C 2 | 5B-5821 | 453 | 1-C 23 | 500039D1 | 73 | 1-B 9 | 500473D1 | 997 | 1-F 5 |
| 400754X1 | 207 | 1-B 22 | 5B-5821 | 465 | 1-C 24 | 500039D1 | 75 | 1-B 9 | 500475D1 | 293 | 1-C 7 |
| 400780X1 | 1003 | 1-F 6 | 5B-5821 | 467 | 1-C 24 | 500039D1 | 551 | 1-D 9 | 500476D1 | 293 | 1-C 7 |
| 400781X1 | 319 | 1-C 9 | 5F-3144 | 419 | 1-C 19 | 500039D1 | 1213 | 1-G 3 | 500477D1 | 293 | 1-C 7 |
| 400781X1 | 327 | 1-C 10 | 5F-3144 | 429 | 1-C 20 | 500040D1 | 67 | 1-B 8 | 500478D1 | 291 | 1-C 7 |
| 400782X1 | 209 | 1-B 22 | 5F-3144 | 439 | 1-C 21 | 500040D1 | 69 | 1-B 8 | 500478D1 | 293 | 1-C 7 |
| 400782X1 | 333 | 1-C 11 | 5F-3144 | 449 | 1-C 22 | 500040D1 | 71 | 1-B 9 | 500483D1 | 1089 | 1-F 14 |
| 400790X1 | 187 | 1-B 20 | 5F-3999 | 489 | 1-D 2 | 500040D1 | 73 | 1-B 9 | 500484D2 | 1091 | 1-F 15 |
| 400820X1 | 185 | 1-B 20 | 5F-3999 | 495 | 1-D 3 | 500040D1 | 75 | 1-B 9 | 500485D2 | 1093 | 1-F 15 |
| 400820X1 | 187 | 1-B 20 | 5F-3999 | 501 | 1-D 4 | 500040D1 | 679 | 1-D 21 | 500486D2 | 1095 | 1-F 15 |
| 400825X1 | 727 | 1-E 2 | 5H-3193 | 453 | 1-C 23 | 500062D1 | 685 | 1-D 22 | 500487D2 | 1097 | 1-F 15 |
| 400826X1 | 103 | 1-B 12 | 5H-3252 | 489 | 1-D 2 | 500081D1 | 679 | 1-D 21 | 500488D2 | 1099 | 1-F 15 |
| 400831X1 | 367 | 1-C 14 | 5H-3252 | 495 | 1-D 3 | 500120D1 | 551 | 1-D 9 | 500489D2 | 1101 | 1-F 16 |
| 400831X1 | 1217 | 1-G 3 | 5H-3252 | 501 | 1-D 4 | 500120D1 | 1213 | 1-G 3 | 500490D2 | 1103 | 1-F 16 |
| 400834X1 | 333 | 1-C 11 | 5H-6005 | 415 | 1-C 19 | 500124D1 | 551 | 1-D 9 | 500491D2 | 1105 | 1-F 16 |
| 400834X1 | 335 | 1-C 11 | 5H-6005 | 425 | 1-C 20 | 500124D1 | 1213 | 1-G 3 | 500493D1 | 1033 | 1-F 9 |
| 400835X1 | 333 | 1-C 11 | 5H-6005 | 435 | 1-C 21 | 500125D1 | 551 | 1-D 9 | 500494D1 | 725 | 1-E 2 |
| 400835X1 | 335 | 1-C 11 | 5H-6005 | 445 | 1-C 22 | 500125D1 | 1213 | 1-G 3 | 500505D1 | 563 | 1-D 10 |
| 400835X1 | 747 | 1-E 4 | 5H-8038 | 381 | 1-C 16 | 500126D1 | 551 | 1-D 9 | 500508D1 | 117 | 1-B 13 |
| 400835X1 | 749 | 1-E 4 | 5H-8038 | 383 | 1-C 16 | 500126D1 | 1213 | 1-G 3 | 500508D1 | 119 | 1-B 13 |
| 400836X1 | 333 | 1-C 11 | 5H-8985 | 389 | 1-C 16 | 500127D1 | 827 | 1-E 12 | 500508D1 | 125 | 1-B 14 |
| 400836X1 | 335 | 1-C 11 | 5H-8985 | 393 | 1-C 17 | 500128D1 | 821 | 1-E 12 | 500510D1 | 197 | 1-B 21 |
| 400837X1 | 139 | 1-B 15 | 5H-8985 | 395 | 1-C 17 | 500129D1 | 813 | 1-E 11 | 500510D1 | 347 | 1-C 12 |
| 400837X1 | 141 | 1-B 16 | 5H-8985 | 401 | 1-C 18 | 500142D1 | 167 | 1-B 18 | 500513D1 | 1033 | 1-F 9 |
| 400837X1 | 169 | 1-B 18 | 5H-8985 | 405 | 1-C 18 | 500142D1 | 169 | 1-B 18 | 500515D1 | 93 | 1-B 11 |

MT800B SERIES TRACTORS

37 INDEX

| Part No. | Page | Grid | Part No. | Page | Grid | Part No. | Page | Grid | Part No. | Page | Grid |
|----------|------|--------|----------|------|--------|----------|------|--------|----------|------|--------|
| 500519D1 | 99 | 1-B 11 | 500758D1 | 1059 | 1-F 11 | 500932D1 | 913 | 1-E 21 | 501104D1 | 1197 | 1-G 1 |
| 500523D1 | 803 | 1-E 10 | 500758D1 | 1061 | 1-F 12 | 500936D1 | 941 | 1-E 24 | 501104D1 | 1201 | 1-G 2 |
| 500529D1 | 241 | 1-C 2 | 500761D1 | 1009 | 1-F 6 | 500938D1 | 131 | 1-B 15 | 501104D1 | 1203 | 1-G 2 |
| 500530D1 | 241 | 1-C 2 | 500761D1 | 1011 | 1-F 7 | 500939D1 | 941 | 1-E 24 | 501105D1 | 1179 | 1-F 23 |
| 500599D1 | 819 | 1-E 11 | 500761D1 | 1027 | 1-F 8 | 500940D1 | 941 | 1-E 24 | 501105D1 | 1195 | 1-G 1 |
| 500602D1 | 119 | 1-B 13 | 500768D1 | 1009 | 1-F 6 | 500950D1 | 727 | 1-E 2 | 501105D1 | 1201 | 1-G 2 |
| 500602D1 | 125 | 1-B 14 | 500768D1 | 1011 | 1-F 7 | 500952D1 | 115 | 1-B 13 | 501105D1 | 1203 | 1-G 2 |
| 500603D1 | 117 | 1-B 13 | 500768D1 | 1013 | 1-F 7 | 500953D1 | 115 | 1-B 13 | 501106D1 | 1173 | 1-F 23 |
| 500606D1 | 201 | 1-B 22 | 500768D1 | 1015 | 1-F 7 | 500954D1 | 117 | 1-B 13 | 501106D1 | 1197 | 1-G 1 |
| 500606D1 | 203 | 1-B 22 | 500768D1 | 1025 | 1-F 8 | 500954D1 | 123 | 1-B 14 | 501106D1 | 1201 | 1-G 2 |
| 500606D1 | 291 | 1-C 7 | 500775D1 | 229 | 1-B 24 | 500956D1 | 803 | 1-E 10 | 501106D1 | 1203 | 1-G 2 |
| 500607D1 | 201 | 1-B 22 | 500775D1 | 231 | 1-C 1 | 500956D1 | 1217 | 1-G 3 | 501107D1 | 1191 | 1-G 1 |
| 500607D1 | 203 | 1-B 22 | 500775D1 | 235 | 1-C 1 | 500957D1 | 1051 | 1-F 11 | 501107D1 | 1201 | 1-G 2 |
| 500607D1 | 307 | 1-C 8 | 500776D1 | 233 | 1-C 1 | 500963D1 | 85 | 1-B 10 | 501107D1 | 1203 | 1-G 2 |
| 500610D1 | 291 | 1-C 7 | 500776D1 | 237 | 1-C 1 | 500963D1 | 87 | 1-B 10 | 501108D1 | 1179 | 1-F 23 |
| 500611D1 | 203 | 1-B 22 | 500791D2 | 1107 | 1-F 16 | 500963D1 | 89 | 1-B 10 | 501108D1 | 1195 | 1-G 1 |
| 500615D1 | 117 | 1-B 13 | 500792D2 | 1109 | 1-F 16 | 500963D1 | 153 | 1-B 17 | 501108D1 | 1201 | 1-G 2 |
| 500615D1 | 125 | 1-B 14 | 500793D2 | 1111 | 1-F 17 | 500964D1 | 81 | 1-B 10 | 501108D1 | 1203 | 1-G 2 |
| 500619D1 | 195 | 1-B 21 | 500794D2 | 1113 | 1-F 17 | 500964D1 | 83 | 1-B 10 | 501109D1 | 187 | 1-B 20 |
| 500619D1 | 279 | 1-C 5 | 500795D1 | 875 | 1-E 17 | 500964D1 | 151 | 1-B 17 | 501109D1 | 1217 | 1-G 3 |
| 500619D1 | 1033 | 1-F 9 | 500834D1 | 631 | 1-D 17 | 500965D1 | 151 | 1-B 17 | 501110D1 | 185 | 1-B 20 |
| 500624D1 | 1051 | 1-F 11 | 500834D1 | 633 | 1-D 17 | 500965D1 | 153 | 1-B 17 | 501110D1 | 1217 | 1-G 3 |
| 500625D1 | 1051 | 1-F 11 | 500834D1 | 635 | 1-D 17 | 500966D1 | 151 | 1-B 17 | 501111D1 | 187 | 1-B 20 |
| 500627D1 | 185 | 1-B 20 | 500834D1 | 637 | 1-D 17 | 500966D1 | 153 | 1-B 17 | 501111D1 | 1217 | 1-G 3 |
| 500628D1 | 201 | 1-B 22 | 500835D1 | 631 | 1-D 17 | 500967D1 | 941 | 1-E 24 | 501112D1 | 185 | 1-B 20 |
| 500630D1 | 203 | 1-B 22 | 500835D1 | 645 | 1-D 18 | 500968D1 | 941 | 1-E 24 | 501112D1 | 1217 | 1-G 3 |
| 500634D2 | 233 | 1-C 1 | 500836D1 | 633 | 1-D 17 | 500969D1 | 103 | 1-B 12 | 501118D1 | 195 | 1-B 21 |
| 500635D2 | 233 | 1-C 1 | 500836D1 | 643 | 1-D 18 | 500970D1 | 91 | 1-B 11 | 501120D1 | 1155 | 1-F 21 |
| 500639D1 | 233 | 1-C 1 | 500839D1 | 1009 | 1-F 6 | 500970D1 | 93 | 1-B 11 | 501124D1 | 305 | 1-C 8 |
| 500645D1 | 229 | 1-B 24 | 500839D1 | 1011 | 1-F 7 | 500976D1 | 1059 | 1-F 11 | 501127D1 | 825 | 1-E 12 |
| 500646D1 | 231 | 1-C 1 | 500839D1 | 1013 | 1-F 7 | 500976D1 | 1061 | 1-F 12 | 501128D1 | 825 | 1-E 12 |
| 500647D1 | 233 | 1-C 1 | 500839D1 | 1015 | 1-F 7 | 500977D1 | 1059 | 1-F 11 | 501129D1 | 825 | 1-E 12 |
| 500653D1 | 229 | 1-B 24 | 500839D1 | 1089 | 1-F 14 | 500977D1 | 1061 | 1-F 12 | 501130D1 | 701 | 1-D 24 |
| 500653D2 | 229 | 1-B 24 | 500840D1 | 1117 | 1-F 17 | 500978D1 | 1059 | 1-F 11 | 501130D1 | 825 | 1-E 12 |
| 500653D2 | 231 | 1-C 1 | 500841D1 | 1009 | 1-F 6 | 500978D1 | 1061 | 1-F 12 | 501130D1 | 863 | 1-E 16 |
| 500653D2 | 233 | 1-C 1 | 500841D1 | 1011 | 1-F 7 | 500980D1 | 95 | 1-B 11 | 501140D1 | 701 | 1-D 24 |
| 500654D1 | 229 | 1-B 24 | 500844D1 | 1013 | 1-F 7 | 500989D1 | 95 | 1-B 11 | 501144D1 | 997 | 1-F 5 |
| 500654D2 | 229 | 1-B 24 | 500849D1 | 1015 | 1-F 7 | 500990D1 | 1059 | 1-F 11 | 501144D1 | 999 | 1-F 5 |
| 500654D2 | 231 | 1-C 1 | 500853D1 | 1119 | 1-F 17 | 500990D1 | 1061 | 1-F 12 | 501145D1 | 997 | 1-F 5 |
| 500654D2 | 233 | 1-C 1 | 500854D1 | 1089 | 1-F 14 | 501018D1 | 119 | 1-B 13 | 501145D1 | 999 | 1-F 5 |
| 500658D1 | 1051 | 1-F 11 | 500882D1 | 291 | 1-C 7 | 501021D1 | 153 | 1-B 17 | 501146D1 | 1003 | 1-F 6 |
| 500660D1 | 1051 | 1-F 11 | 500892D1 | 1217 | 1-G 3 | 501026D1 | 1141 | 1-F 20 | 501147D1 | 997 | 1-F 5 |
| 500671D1 | 795 | 1-E 9 | 500902D1 | 115 | 1-B 13 | 501033D1 | 253 | 1-C 3 | 501147D1 | 999 | 1-F 5 |
| 500672D1 | 795 | 1-E 9 | 500903D1 | 115 | 1-B 13 | 501033D1 | 333 | 1-C 11 | 501147D1 | 1217 | 1-G 3 |
| 500676D2 | 229 | 1-B 24 | 500905D1 | 115 | 1-B 13 | 501033D1 | 335 | 1-C 11 | 501148D1 | 553 | 1-D 9 |
| 500676D2 | 231 | 1-C 1 | 500905D1 | 117 | 1-B 13 | 501034D1 | 111 | 1-B 13 | 501148D1 | 557 | 1-D 9 |
| 500677D2 | 229 | 1-B 24 | 500910D1 | 197 | 1-B 21 | 501035D1 | 111 | 1-B 13 | 501153D1 | 1053 | 1-F 11 |
| 500677D2 | 231 | 1-C 1 | 500910D1 | 315 | 1-C 9 | 501036D1 | 111 | 1-B 13 | 501168D1 | 301 | 1-C 8 |
| 500678D1 | 239 | 1-C 1 | 500911D1 | 117 | 1-B 13 | 501037D1 | 805 | 1-E 10 | 501169D1 | 301 | 1-C 8 |
| 500678D1 | 243 | 1-C 2 | 500913D1 | 119 | 1-B 13 | 501038D1 | 805 | 1-E 10 | 501170D1 | 301 | 1-C 8 |
| 500678D1 | 1217 | 1-G 3 | 500913D1 | 125 | 1-B 14 | 501039D1 | 805 | 1-E 10 | 501171D1 | 301 | 1-C 8 |
| 500679D1 | 299 | 1-C 7 | 500914D1 | 115 | 1-B 13 | 501040D1 | 805 | 1-E 10 | 501186D1 | 613 | 1-D 15 |
| 500680D1 | 299 | 1-C 7 | 500915D1 | 119 | 1-B 13 | 501043D1 | 805 | 1-E 10 | 501186D1 | 1217 | 1-G 3 |
| 500682D1 | 299 | 1-C 7 | 500918D1 | 115 | 1-B 13 | 501051D1 | 1149 | 1-F 20 | 501195D1 | 561 | 1-D 10 |
| 500685D1 | 99 | 1-B 11 | 500918D1 | 121 | 1-B 14 | 501057D1 | 111 | 1-B 13 | 501196D1 | 615 | 1-D 15 |
| 500685D1 | 1217 | 1-G 3 | 500919D1 | 111 | 1-B 13 | 501057D1 | 113 | 1-B 13 | 501196D1 | 1217 | 1-G 3 |
| 500686D1 | 787 | 1-E 8 | 500919D1 | 115 | 1-B 13 | 501058D1 | 111 | 1-B 13 | 501197D1 | 617 | 1-D 15 |
| 500687D1 | 631 | 1-D 17 | 500919D1 | 117 | 1-B 13 | 501058D1 | 113 | 1-B 13 | 501198D1 | 617 | 1-D 15 |
| 500687D1 | 633 | 1-D 17 | 500919D1 | 119 | 1-B 13 | 501062D1 | 151 | 1-B 17 | 501205D1 | 575 | 1-D 11 |
| 500687D1 | 635 | 1-D 17 | 500920D1 | 81 | 1-B 10 | 501062D1 | 153 | 1-B 17 | 501210D1 | 1053 | 1-F 11 |
| 500687D1 | 637 | 1-D 17 | 500920D1 | 83 | 1-B 10 | 501070D1 | 863 | 1-E 16 | 501215D1 | 617 | 1-D 15 |
| 500717D1 | 1033 | 1-F 9 | 500920D1 | 85 | 1-B 10 | 501073D1 | 303 | 1-C 8 | 501216D1 | 617 | 1-D 15 |
| 500719D1 | 1171 | 1-F 23 | 500920D1 | 87 | 1-B 10 | 501073D1 | 305 | 1-C 8 | 501250D1 | 1191 | 1-G 1 |
| 500729D1 | 1171 | 1-F 23 | 500920D1 | 111 | 1-B 13 | 501074D1 | 303 | 1-C 8 | 501250D1 | 1193 | 1-G 1 |
| 500734D1 | 1171 | 1-F 23 | 500921D1 | 117 | 1-B 13 | 501074D1 | 305 | 1-C 8 | 501250D1 | 1199 | 1-G 1 |
| 500735D1 | 1169 | 1-F 22 | 500923D1 | 111 | 1-B 13 | 501075D1 | 303 | 1-C 8 | 501250D1 | 1201 | 1-G 2 |
| 500736D1 | 1171 | 1-F 23 | 500925D1 | 639 | 1-D 17 | 501075D1 | 305 | 1-C 8 | 501250D1 | 1203 | 1-G 2 |
| 500737D1 | 1171 | 1-F 23 | 500925D1 | 655 | 1-D 19 | 501094D1 | 635 | 1-D 17 | 501251D1 | 1177 | 1-F 23 |
| 500738D1 | 1171 | 1-F 23 | 500927D1 | 1017 | 1-F 7 | 501095D1 | 635 | 1-D 17 | 501251D1 | 1191 | 1-G 1 |
| 500748D2 | 1171 | 1-F 23 | 500927D1 | 1019 | 1-F 7 | 501096D1 | 635 | 1-D 17 | 501251D1 | 1201 | 1-G 2 |
| 500749D1 | 1169 | 1-F 22 | 500927D1 | 1051 | 1-F 11 | 501103D1 | 1177 | 1-F 23 | 501251D1 | 1203 | 1-G 2 |
| 500749D1 | 1171 | 1-F 23 | 500929D1 | 1051 | 1-F 11 | 501103D1 | 1191 | 1-G 1 | 501252D1 | 1177 | 1-F 23 |
| 500752D1 | 875 | 1-E 17 | 500931D1 | 1051 | 1-F 11 | 501103D1 | 1201 | 1-G 2 | 501252D1 | 1191 | 1-G 1 |
| 500752D1 | 893 | 1-E 19 | 500932D1 | 909 | 1-E 20 | 501103D1 | 1203 | 1-G 2 | 501252D1 | 1201 | 1-G 2 |
| 500754D1 | 933 | 1-E 23 | 500932D1 | 911 | 1-E 21 | 501104D1 | 1173 | 1-F 23 | 501252D1 | 1203 | 1-G 2 |

INDEX

| Part No. | Page | Grid | Part No. | Page | Grid | Part No. | Page | Grid | Part No. | Page | Grid |
|----------|------|--------|----------|------|--------|----------|------|--------|----------|------|--------|
| 501253D1 | 1173 | 1-F 23 | 501261D1 | 1187 | 1-F 24 | 501272D1 | 1187 | 1-F 24 | 501281D1 | 1195 | 1-G 1 |
| 501253D1 | 1175 | 1-F 23 | 501261D1 | 1189 | 1-F 24 | 501272D1 | 1189 | 1-F 24 | 501281D1 | 1197 | 1-G 1 |
| 501253D1 | 1177 | 1-F 23 | 501261D1 | 1205 | 1-G 2 | 501272D1 | 1191 | 1-G 1 | 501281D1 | 1199 | 1-G 1 |
| 501253D1 | 1179 | 1-F 23 | 501262D1 | 1173 | 1-F 23 | 501272D1 | 1193 | 1-G 1 | 501281D1 | 1201 | 1-G 2 |
| 501253D1 | 1181 | 1-F 24 | 501262D1 | 1175 | 1-F 23 | 501272D1 | 1195 | 1-G 1 | 501282D1 | 1173 | 1-F 23 |
| 501253D1 | 1183 | 1-F 24 | 501262D1 | 1177 | 1-F 23 | 501272D1 | 1197 | 1-G 1 | 501282D1 | 1175 | 1-F 23 |
| 501253D1 | 1185 | 1-F 24 | 501262D1 | 1179 | 1-F 23 | 501272D1 | 1199 | 1-G 1 | 501282D1 | 1177 | 1-F 23 |
| 501253D1 | 1187 | 1-F 24 | 501262D1 | 1181 | 1-F 24 | 501272D1 | 1201 | 1-G 2 | 501282D1 | 1179 | 1-F 23 |
| 501253D1 | 1189 | 1-F 24 | 501262D1 | 1183 | 1-F 24 | 501273D1 | 1173 | 1-F 23 | 501282D1 | 1181 | 1-F 24 |
| 501253D1 | 1191 | 1-G 1 | 501262D1 | 1185 | 1-F 24 | 501273D1 | 1175 | 1-F 23 | 501282D1 | 1183 | 1-F 24 |
| 501253D1 | 1193 | 1-G 1 | 501262D1 | 1187 | 1-F 24 | 501273D1 | 1177 | 1-F 23 | 501282D1 | 1185 | 1-F 24 |
| 501253D1 | 1195 | 1-G 1 | 501262D1 | 1189 | 1-F 24 | 501273D1 | 1179 | 1-F 23 | 501282D1 | 1187 | 1-F 24 |
| 501253D1 | 1197 | 1-G 1 | 501262D1 | 1205 | 1-G 2 | 501273D1 | 1181 | 1-F 24 | 501282D1 | 1189 | 1-F 24 |
| 501253D1 | 1199 | 1-G 1 | 501263D1 | 1173 | 1-F 23 | 501273D1 | 1183 | 1-F 24 | 501283D1 | 1193 | 1-G 1 |
| 501253D1 | 1201 | 1-G 2 | 501263D1 | 1175 | 1-F 23 | 501273D1 | 1185 | 1-F 24 | 501283D1 | 1201 | 1-G 2 |
| 501253D1 | 1205 | 1-G 2 | 501263D1 | 1177 | 1-F 23 | 501273D1 | 1187 | 1-F 24 | 501283D1 | 1203 | 1-G 2 |
| 501254D1 | 1173 | 1-F 23 | 501263D1 | 1179 | 1-F 23 | 501273D1 | 1189 | 1-F 24 | 501284D1 | 1199 | 1-G 1 |
| 501254D1 | 1175 | 1-F 23 | 501263D1 | 1181 | 1-F 24 | 501274D1 | 1173 | 1-F 23 | 501284D1 | 1201 | 1-G 2 |
| 501254D1 | 1177 | 1-F 23 | 501263D1 | 1183 | 1-F 24 | 501274D1 | 1175 | 1-F 23 | 501284D1 | 1203 | 1-G 2 |
| 501254D1 | 1179 | 1-F 23 | 501263D1 | 1185 | 1-F 24 | 501274D1 | 1177 | 1-F 23 | 501285D1 | 1199 | 1-G 1 |
| 501254D1 | 1181 | 1-F 24 | 501263D1 | 1187 | 1-F 24 | 501274D1 | 1179 | 1-F 23 | 501285D1 | 1201 | 1-G 2 |
| 501254D1 | 1183 | 1-F 24 | 501263D1 | 1189 | 1-F 24 | 501274D1 | 1181 | 1-F 24 | 501285D1 | 1203 | 1-G 2 |
| 501254D1 | 1185 | 1-F 24 | 501263D1 | 1205 | 1-G 2 | 501274D1 | 1183 | 1-F 24 | 501286D1 | 1173 | 1-F 23 |
| 501254D1 | 1187 | 1-F 24 | 501264D1 | 1173 | 1-F 23 | 501274D1 | 1185 | 1-F 24 | 501286D1 | 1175 | 1-F 23 |
| 501254D1 | 1189 | 1-F 24 | 501264D1 | 1175 | 1-F 23 | 501274D1 | 1187 | 1-F 24 | 501286D1 | 1177 | 1-F 23 |
| 501254D1 | 1205 | 1-G 2 | 501264D1 | 1177 | 1-F 23 | 501274D1 | 1189 | 1-F 24 | 501286D1 | 1179 | 1-F 23 |
| 501256D1 | 1153 | 1-F 21 | 501264D1 | 1179 | 1-F 23 | 501274D1 | 1191 | 1-G 1 | 501286D1 | 1181 | 1-F 24 |
| 501256D1 | 1191 | 1-G 1 | 501264D1 | 1181 | 1-F 24 | 501274D1 | 1193 | 1-G 1 | 501286D1 | 1183 | 1-F 24 |
| 501256D1 | 1193 | 1-G 1 | 501264D1 | 1183 | 1-F 24 | 501274D1 | 1195 | 1-G 1 | 501286D1 | 1185 | 1-F 24 |
| 501256D1 | 1195 | 1-G 1 | 501264D1 | 1185 | 1-F 24 | 501274D1 | 1197 | 1-G 1 | 501286D1 | 1187 | 1-F 24 |
| 501256D1 | 1197 | 1-G 1 | 501264D1 | 1187 | 1-F 24 | 501274D1 | 1199 | 1-G 1 | 501286D1 | 1189 | 1-F 24 |
| 501256D1 | 1199 | 1-G 1 | 501264D1 | 1189 | 1-F 24 | 501274D1 | 1201 | 1-G 2 | 501286D1 | 1191 | 1-G 1 |
| 501257D1 | 1173 | 1-F 23 | 501264D1 | 1205 | 1-G 2 | 501275D1 | 1195 | 1-G 1 | 501286D1 | 1193 | 1-G 1 |
| 501257D1 | 1175 | 1-F 23 | 501265D1 | 1173 | 1-F 23 | 501275D1 | 1199 | 1-G 1 | 501286D1 | 1195 | 1-G 1 |
| 501257D1 | 1177 | 1-F 23 | 501265D1 | 1175 | 1-F 23 | 501275D1 | 1201 | 1-G 2 | 501286D1 | 1197 | 1-G 1 |
| 501257D1 | 1179 | 1-F 23 | 501265D1 | 1177 | 1-F 23 | 501275D1 | 1203 | 1-G 2 | 501286D1 | 1199 | 1-G 1 |
| 501257D1 | 1181 | 1-F 24 | 501265D1 | 1179 | 1-F 23 | 501276D1 | 1177 | 1-F 23 | 501286D1 | 1201 | 1-G 2 |
| 501257D1 | 1183 | 1-F 24 | 501265D1 | 1181 | 1-F 24 | 501276D1 | 1191 | 1-G 1 | 501287D1 | 1173 | 1-F 23 |
| 501257D1 | 1185 | 1-F 24 | 501265D1 | 1183 | 1-F 24 | 501276D1 | 1201 | 1-G 2 | 501287D1 | 1175 | 1-F 23 |
| 501257D1 | 1187 | 1-F 24 | 501265D1 | 1185 | 1-F 24 | 501276D1 | 1203 | 1-G 2 | 501287D1 | 1177 | 1-F 23 |
| 501257D1 | 1189 | 1-F 24 | 501265D1 | 1187 | 1-F 24 | 501277D1 | 1173 | 1-F 23 | 501287D1 | 1179 | 1-F 23 |
| 501257D1 | 1205 | 1-G 2 | 501265D1 | 1189 | 1-F 24 | 501277D1 | 1175 | 1-F 23 | 501287D1 | 1181 | 1-F 24 |
| 501258D1 | 1175 | 1-F 23 | 501267D1 | 1173 | 1-F 23 | 501277D1 | 1177 | 1-F 23 | 501287D1 | 1183 | 1-F 24 |
| 501258D1 | 1179 | 1-F 23 | 501267D1 | 1175 | 1-F 23 | 501277D1 | 1179 | 1-F 23 | 501287D1 | 1185 | 1-F 24 |
| 501258D1 | 1195 | 1-G 1 | 501267D1 | 1177 | 1-F 23 | 501277D1 | 1181 | 1-F 24 | 501287D1 | 1187 | 1-F 24 |
| 501258D1 | 1199 | 1-G 1 | 501267D1 | 1179 | 1-F 23 | 501277D1 | 1183 | 1-F 24 | 501287D1 | 1189 | 1-F 24 |
| 501258D1 | 1201 | 1-G 2 | 501267D1 | 1181 | 1-F 24 | 501277D1 | 1185 | 1-F 24 | 501287D1 | 1191 | 1-G 1 |
| 501258D1 | 1203 | 1-G 2 | 501267D1 | 1183 | 1-F 24 | 501277D1 | 1187 | 1-F 24 | 501287D1 | 1193 | 1-G 1 |
| 501259D1 | 1173 | 1-F 23 | 501267D1 | 1185 | 1-F 24 | 501277D1 | 1189 | 1-F 24 | 501287D1 | 1195 | 1-G 1 |
| 501259D1 | 1175 | 1-F 23 | 501267D1 | 1187 | 1-F 24 | 501277D1 | 1191 | 1-G 1 | 501287D1 | 1197 | 1-G 1 |
| 501259D1 | 1177 | 1-F 23 | 501267D1 | 1189 | 1-F 24 | 501277D1 | 1193 | 1-G 1 | 501287D1 | 1199 | 1-G 1 |
| 501259D1 | 1179 | 1-F 23 | 501267D1 | 1191 | 1-G 1 | 501277D1 | 1195 | 1-G 1 | 501287D1 | 1201 | 1-G 2 |
| 501259D1 | 1181 | 1-F 24 | 501267D1 | 1193 | 1-G 1 | 501277D1 | 1197 | 1-G 1 | 501287D1 | 1205 | 1-G 2 |
| 501259D1 | 1183 | 1-F 24 | 501267D1 | 1195 | 1-G 1 | 501277D1 | 1199 | 1-G 1 | 501288D1 | 1175 | 1-F 23 |
| 501259D1 | 1185 | 1-F 24 | 501267D1 | 1197 | 1-G 1 | 501277D1 | 1201 | 1-G 2 | 501288D1 | 1195 | 1-G 1 |
| 501259D1 | 1187 | 1-F 24 | 501267D1 | 1199 | 1-G 1 | 501277D1 | 1205 | 1-G 2 | 501288D1 | 1201 | 1-G 2 |
| 501259D1 | 1189 | 1-F 24 | 501267D1 | 1201 | 1-G 2 | 501278D1 | 1179 | 1-F 23 | 501288D1 | 1203 | 1-G 2 |
| 501259D1 | 1205 | 1-G 2 | 501267D1 | 1205 | 1-G 2 | 501278D1 | 1195 | 1-G 1 | 501289D1 | 1191 | 1-G 1 |
| 501260D1 | 1173 | 1-F 23 | 501268D1 | 1191 | 1-G 1 | 501278D1 | 1201 | 1-G 2 | 501289D1 | 1193 | 1-G 1 |
| 501260D1 | 1175 | 1-F 23 | 501268D1 | 1201 | 1-G 2 | 501278D1 | 1203 | 1-G 2 | 501289D1 | 1195 | 1-G 1 |
| 501260D1 | 1177 | 1-F 23 | 501268D1 | 1203 | 1-G 2 | 501280D1 | 1179 | 1-F 23 | 501289D1 | 1197 | 1-G 1 |
| 501260D1 | 1179 | 1-F 23 | 501269D1 | 1179 | 1-F 23 | 501280D1 | 1195 | 1-G 1 | 501289D1 | 1199 | 1-G 1 |
| 501260D1 | 1181 | 1-F 24 | 501269D1 | 1195 | 1-G 1 | 501280D1 | 1201 | 1-G 2 | 501289D1 | 1201 | 1-G 2 |
| 501260D1 | 1183 | 1-F 24 | 501269D1 | 1201 | 1-G 2 | 501280D1 | 1203 | 1-G 2 | 501290D1 | 1173 | 1-F 23 |
| 501260D1 | 1185 | 1-F 24 | 501269D1 | 1203 | 1-G 2 | 501281D1 | 1173 | 1-F 23 | 501290D1 | 1175 | 1-F 23 |
| 501260D1 | 1187 | 1-F 24 | 501270D1 | 1191 | 1-G 1 | 501281D1 | 1175 | 1-F 23 | 501290D1 | 1177 | 1-F 23 |
| 501260D1 | 1189 | 1-F 24 | 501270D1 | 1201 | 1-G 2 | 501281D1 | 1177 | 1-F 23 | 501290D1 | 1179 | 1-F 23 |
| 501260D1 | 1205 | 1-G 2 | 501271D1 | 1177 | 1-F 23 | 501281D1 | 1179 | 1-F 23 | 501290D1 | 1181 | 1-F 24 |
| 501261D1 | 1173 | 1-F 23 | 501272D1 | 1173 | 1-F 23 | 501281D1 | 1181 | 1-F 24 | 501290D1 | 1183 | 1-F 24 |
| 501261D1 | 1175 | 1-F 23 | 501272D1 | 1175 | 1-F 23 | 501281D1 | 1183 | 1-F 24 | 501290D1 | 1185 | 1-F 24 |
| 501261D1 | 1177 | 1-F 23 | 501272D1 | 1177 | 1-F 23 | 501281D1 | 1185 | 1-F 24 | 501290D1 | 1187 | 1-F 24 |
| 501261D1 | 1179 | 1-F 23 | 501272D1 | 1179 | 1-F 23 | 501281D1 | 1187 | 1-F 24 | 501290D1 | 1189 | 1-F 24 |
| 501261D1 | 1181 | 1-F 24 | 501272D1 | 1181 | 1-F 24 | 501281D1 | 1189 | 1-F 24 | 501290D1 | 1205 | 1-G 2 |
| 501261D1 | 1183 | 1-F 24 | 501272D1 | 1183 | 1-F 24 | 501281D1 | 1191 | 1-G 1 | 501291D1 | 1173 | 1-F 23 |
| 501261D1 | 1185 | 1-F 24 | 501272D1 | 1185 | 1-F 24 | 501281D1 | 1193 | 1-G 1 | 501291D1 | 1175 | 1-F 23 |

MT800B SERIES TRACTORS

39
INDEX

| Part No. | Page | Grid | Part No. | Page | Grid | Part No. | Page | Grid | Part No. | Page | Grid |
|----------|------|--------|----------|------|--------|----------|------|--------|----------|------|--------|
| 501291D1 | 1177 | 1-F 23 | 501298D1 | 1189 | 1-F 24 | 501405D1 | 1193 | 1-G 1 | 501505D1 | 1187 | 1-F 24 |
| 501291D1 | 1179 | 1-F 23 | 501299D1 | 1173 | 1-F 23 | 501405D1 | 1195 | 1-G 1 | 501505D1 | 1189 | 1-F 24 |
| 501291D1 | 1181 | 1-F 24 | 501299D1 | 1175 | 1-F 23 | 501405D1 | 1197 | 1-G 1 | 501505D1 | 1205 | 1-G 2 |
| 501291D1 | 1183 | 1-F 24 | 501299D1 | 1177 | 1-F 23 | 501405D1 | 1199 | 1-G 1 | 501520D1 | 1023 | 1-F 8 |
| 501291D1 | 1185 | 1-F 24 | 501299D1 | 1179 | 1-F 23 | 501406D1 | 1155 | 1-F 21 | 501520D1 | 1207 | 1-G 2 |
| 501291D1 | 1187 | 1-F 24 | 501299D1 | 1181 | 1-F 24 | 501406D1 | 1173 | 1-F 23 | 501521D1 | 1023 | 1-F 8 |
| 501291D1 | 1189 | 1-F 24 | 501299D1 | 1183 | 1-F 24 | 501406D1 | 1175 | 1-F 23 | 501521D1 | 1207 | 1-G 2 |
| 501291D1 | 1205 | 1-G 2 | 501299D1 | 1185 | 1-F 24 | 501406D1 | 1177 | 1-F 23 | 501522D1 | 1023 | 1-F 8 |
| 501292D1 | 1173 | 1-F 23 | 501299D1 | 1187 | 1-F 24 | 501406D1 | 1179 | 1-F 23 | 501522D1 | 1207 | 1-G 2 |
| 501292D1 | 1175 | 1-F 23 | 501299D1 | 1189 | 1-F 24 | 501406D1 | 1181 | 1-F 24 | 501523D1 | 1035 | 1-F 9 |
| 501292D1 | 1177 | 1-F 23 | 501299D1 | 1205 | 1-G 2 | 501406D1 | 1183 | 1-F 24 | 501523D1 | 1207 | 1-G 2 |
| 501292D1 | 1179 | 1-F 23 | 501300D1 | 1173 | 1-F 23 | 501406D1 | 1185 | 1-F 24 | 501524D1 | 1023 | 1-F 8 |
| 501292D1 | 1181 | 1-F 24 | 501300D1 | 1175 | 1-F 23 | 501406D1 | 1187 | 1-F 24 | 501524D1 | 1207 | 1-G 2 |
| 501292D1 | 1183 | 1-F 24 | 501300D1 | 1177 | 1-F 23 | 501406D1 | 1189 | 1-F 24 | 501525D1 | 1039 | 1-F 9 |
| 501292D1 | 1185 | 1-F 24 | 501300D1 | 1179 | 1-F 23 | 501406D1 | 1191 | 1-G 1 | 501525D1 | 1043 | 1-F 10 |
| 501292D1 | 1187 | 1-F 24 | 501300D1 | 1181 | 1-F 24 | 501406D1 | 1193 | 1-G 1 | 501525D1 | 1207 | 1-G 2 |
| 501292D1 | 1189 | 1-F 24 | 501300D1 | 1183 | 1-F 24 | 501406D1 | 1195 | 1-G 1 | 501526D1 | 1039 | 1-F 9 |
| 501292D1 | 1205 | 1-G 2 | 501300D1 | 1185 | 1-F 24 | 501406D1 | 1197 | 1-G 1 | 501526D1 | 1043 | 1-F 10 |
| 501293D1 | 1173 | 1-F 23 | 501300D1 | 1187 | 1-F 24 | 501406D1 | 1199 | 1-G 1 | 501526D1 | 1207 | 1-G 2 |
| 501293D1 | 1175 | 1-F 23 | 501300D1 | 1189 | 1-F 24 | 501410D1 | 1159 | 1-F 21 | 501527D1 | 1039 | 1-F 9 |
| 501293D1 | 1177 | 1-F 23 | 501300D1 | 1205 | 1-G 2 | 501411D1 | 1161 | 1-F 22 | 501527D1 | 1043 | 1-F 10 |
| 501293D1 | 1179 | 1-F 23 | 501301D1 | 1173 | 1-F 23 | 501412D1 | 1163 | 1-F 22 | 501527D1 | 1207 | 1-G 2 |
| 501293D1 | 1181 | 1-F 24 | 501301D1 | 1175 | 1-F 23 | 501413D1 | 1165 | 1-F 22 | 501528D1 | 1039 | 1-F 9 |
| 501293D1 | 1183 | 1-F 24 | 501301D1 | 1177 | 1-F 23 | 501414D1 | 1167 | 1-F 22 | 501528D1 | 1043 | 1-F 10 |
| 501293D1 | 1185 | 1-F 24 | 501301D1 | 1179 | 1-F 23 | 501480D1 | 1169 | 1-F 22 | 501528D1 | 1207 | 1-G 2 |
| 501293D1 | 1187 | 1-F 24 | 501301D1 | 1181 | 1-F 24 | 501482D1 | 1169 | 1-F 22 | 501529D1 | 1043 | 1-F 10 |
| 501293D1 | 1189 | 1-F 24 | 501301D1 | 1183 | 1-F 24 | 501483D1 | 1169 | 1-F 22 | 501529D1 | 1207 | 1-G 2 |
| 501293D1 | 1205 | 1-G 2 | 501301D1 | 1185 | 1-F 24 | 501500D1 | 1191 | 1-G 1 | 501529D1 | 1041 | 1-F 10 |
| 501294D1 | 1173 | 1-F 23 | 501301D1 | 1187 | 1-F 24 | 501500D1 | 1193 | 1-G 1 | 501530D1 | 1207 | 1-G 2 |
| 501294D1 | 1175 | 1-F 23 | 501301D1 | 1189 | 1-F 24 | 501500D1 | 1195 | 1-G 1 | 501531D1 | 1023 | 1-F 8 |
| 501294D1 | 1177 | 1-F 23 | 501301D1 | 1205 | 1-G 2 | 501500D1 | 1197 | 1-G 1 | 501531D1 | 1207 | 1-G 2 |
| 501294D1 | 1179 | 1-F 23 | 501302D1 | 1173 | 1-F 23 | 501500D1 | 1199 | 1-G 1 | 501532D1 | 209 | 1-B 22 |
| 501294D1 | 1181 | 1-F 24 | 501302D1 | 1175 | 1-F 23 | 501500D1 | 1201 | 1-G 2 | 501532D1 | 1023 | 1-F 8 |
| 501294D1 | 1183 | 1-F 24 | 501302D1 | 1177 | 1-F 23 | 501501D1 | 1173 | 1-F 23 | 501532D1 | 1207 | 1-G 2 |
| 501294D1 | 1185 | 1-F 24 | 501302D1 | 1179 | 1-F 23 | 501501D1 | 1175 | 1-F 23 | 501557D1 | 561 | 1-D 10 |
| 501294D1 | 1187 | 1-F 24 | 501302D1 | 1181 | 1-F 24 | 501501D1 | 1177 | 1-F 23 | 501563D1 | 561 | 1-D 10 |
| 501294D1 | 1189 | 1-F 24 | 501302D1 | 1183 | 1-F 24 | 501501D1 | 1179 | 1-F 23 | 501565D1 | 1155 | 1-F 21 |
| 501294D1 | 1205 | 1-G 2 | 501302D1 | 1185 | 1-F 24 | 501501D1 | 1181 | 1-F 24 | 501572D1 | 81 | 1-B 10 |
| 501295D1 | 1173 | 1-F 23 | 501302D1 | 1187 | 1-F 24 | 501501D1 | 1183 | 1-F 24 | 501572D1 | 83 | 1-B 10 |
| 501295D1 | 1175 | 1-F 23 | 501302D1 | 1189 | 1-F 24 | 501501D1 | 1185 | 1-F 24 | 501572D1 | 85 | 1-B 10 |
| 501295D1 | 1177 | 1-F 23 | 501303D1 | 1173 | 1-F 23 | 501501D1 | 1187 | 1-F 24 | 501572D1 | 87 | 1-B 10 |
| 501295D1 | 1179 | 1-F 23 | 501303D1 | 1175 | 1-F 23 | 501501D1 | 1189 | 1-F 24 | 501572D1 | 89 | 1-B 10 |
| 501295D1 | 1181 | 1-F 24 | 501303D1 | 1177 | 1-F 23 | 501503D1 | 961 | 1-F 2 | 501572D1 | 283 | 1-C 6 |
| 501295D1 | 1183 | 1-F 24 | 501303D1 | 1179 | 1-F 23 | 501503D1 | 963 | 1-F 2 | 501573D1 | 81 | 1-B 10 |
| 501295D1 | 1185 | 1-F 24 | 501303D1 | 1181 | 1-F 24 | 501503D1 | 1173 | 1-F 23 | 501573D1 | 83 | 1-B 10 |
| 501295D1 | 1187 | 1-F 24 | 501303D1 | 1183 | 1-F 24 | 501503D1 | 1175 | 1-F 23 | 501573D1 | 85 | 1-B 10 |
| 501295D1 | 1189 | 1-F 24 | 501303D1 | 1185 | 1-F 24 | 501503D1 | 1177 | 1-F 23 | 501573D1 | 87 | 1-B 10 |
| 501295D1 | 1205 | 1-G 2 | 501303D1 | 1187 | 1-F 24 | 501503D1 | 1179 | 1-F 23 | 501573D1 | 89 | 1-B 10 |
| 501296D1 | 1173 | 1-F 23 | 501303D1 | 1189 | 1-F 24 | 501503D1 | 1181 | 1-F 24 | 501573D1 | 103 | 1-B 12 |
| 501296D1 | 1175 | 1-F 23 | 501303D1 | 1205 | 1-G 2 | 501503D1 | 1183 | 1-F 24 | 501577D1 | 81 | 1-B 10 |
| 501296D1 | 1177 | 1-F 23 | 501305D1 | 1179 | 1-F 23 | 501503D1 | 1185 | 1-F 24 | 501577D1 | 83 | 1-B 10 |
| 501296D1 | 1179 | 1-F 23 | 501305D1 | 1195 | 1-G 1 | 501503D1 | 1187 | 1-F 24 | 501577D1 | 85 | 1-B 10 |
| 501296D1 | 1181 | 1-F 24 | 501305D1 | 1201 | 1-G 2 | 501503D1 | 1189 | 1-F 24 | 501577D1 | 87 | 1-B 10 |
| 501296D1 | 1183 | 1-F 24 | 501305D1 | 1203 | 1-G 2 | 501503D1 | 1191 | 1-G 1 | 501577D1 | 89 | 1-B 10 |
| 501296D1 | 1185 | 1-F 24 | 501306D1 | 1173 | 1-F 23 | 501503D1 | 1193 | 1-G 1 | 501577D1 | 159 | 1-B 17 |
| 501296D1 | 1187 | 1-F 24 | 501306D1 | 1175 | 1-F 23 | 501503D1 | 1195 | 1-G 1 | 501578D1 | 85 | 1-B 10 |
| 501296D1 | 1189 | 1-F 24 | 501306D1 | 1177 | 1-F 23 | 501503D1 | 1197 | 1-G 1 | 501578D1 | 87 | 1-B 10 |
| 501296D1 | 1205 | 1-G 2 | 501306D1 | 1179 | 1-F 23 | 501503D1 | 1199 | 1-G 1 | 501578D1 | 89 | 1-B 10 |
| 501297D1 | 1173 | 1-F 23 | 501306D1 | 1181 | 1-F 24 | 501503D1 | 1201 | 1-G 2 | 501578D1 | 147 | 1-B 16 |
| 501297D1 | 1175 | 1-F 23 | 501306D1 | 1183 | 1-F 24 | 501503D1 | 1203 | 1-G 2 | 501579D1 | 81 | 1-B 10 |
| 501297D1 | 1177 | 1-F 23 | 501306D1 | 1185 | 1-F 24 | 501504D1 | 1191 | 1-G 1 | 501579D1 | 83 | 1-B 10 |
| 501297D1 | 1179 | 1-F 23 | 501306D1 | 1187 | 1-F 24 | 501504D1 | 1193 | 1-G 1 | 501579D1 | 85 | 1-B 10 |
| 501297D1 | 1181 | 1-F 24 | 501306D1 | 1189 | 1-F 24 | 501504D1 | 1195 | 1-G 1 | 501579D1 | 87 | 1-B 10 |
| 501297D1 | 1183 | 1-F 24 | 501306D1 | 1191 | 1-G 1 | 501504D1 | 1197 | 1-G 1 | 501579D1 | 1059 | 1-F 11 |
| 501297D1 | 1185 | 1-F 24 | 501306D1 | 1193 | 1-G 1 | 501504D1 | 1199 | 1-G 1 | 501580D1 | 85 | 1-B 10 |
| 501297D1 | 1187 | 1-F 24 | 501306D1 | 1195 | 1-G 1 | 501504D1 | 1201 | 1-G 2 | 501580D1 | 87 | 1-B 10 |
| 501297D1 | 1189 | 1-F 24 | 501306D1 | 1197 | 1-G 1 | 501505D1 | 961 | 1-F 2 | 501580D1 | 89 | 1-B 10 |
| 501298D1 | 1173 | 1-F 23 | 501306D1 | 1199 | 1-G 1 | 501505D1 | 963 | 1-F 2 | 501580D1 | 157 | 1-B 17 |
| 501298D1 | 1175 | 1-F 23 | 501306D1 | 1201 | 1-G 2 | 501505D1 | 1173 | 1-F 23 | 501582D1 | 81 | 1-B 10 |
| 501298D1 | 1177 | 1-F 23 | 501306D1 | 1205 | 1-G 2 | 501505D1 | 1175 | 1-F 23 | 501582D1 | 83 | 1-B 10 |
| 501298D1 | 1179 | 1-F 23 | 501307D1 | 1173 | 1-F 23 | 501505D1 | 1177 | 1-F 23 | 501582D1 | 85 | 1-B 10 |
| 501298D1 | 1181 | 1-F 24 | 501307D1 | 1197 | 1-G 1 | 501505D1 | 1179 | 1-F 23 | 501582D1 | 87 | 1-B 10 |
| 501298D1 | 1183 | 1-F 24 | 501307D1 | 1201 | 1-G 2 | 501505D1 | 1181 | 1-F 24 | 501582D1 | 167 | 1-B 18 |
| 501298D1 | 1185 | 1-F 24 | 501307D1 | 1203 | 1-G 2 | 501505D1 | 1183 | 1-F 24 | 501583D1 | 47 | 1-B 6 |
| 501298D1 | 1187 | 1-F 24 | 501405D1 | 1191 | 1-G 1 | 501505D1 | 1185 | 1-F 24 | 501583D1 | 57 | 1-B 7 |

INDEX

| Part No. | Page | Grid | Part No. | Page | Grid | Part No. | Page | Grid | Part No. | Page | Grid |
|----------|------|--------|----------|------|--------|----------|------|--------|----------|------|--------|
| 501583D1 | 81 | 1-B 10 | 501705D1 | 1003 | 1-F 6 | 501743D1 | 613 | 1-D 15 | 501881D1 | 1053 | 1-F 11 |
| 501584D1 | 49 | 1-B 6 | 501706D1 | 1001 | 1-F 6 | 501743D1 | 615 | 1-D 15 | 501883D1 | 103 | 1-B 12 |
| 501584D1 | 59 | 1-B 7 | 501706D1 | 1003 | 1-F 6 | 501745D1 | 999 | 1-F 5 | 501884D1 | 103 | 1-B 12 |
| 501584D1 | 83 | 1-B 10 | 501707D2 | 1003 | 1-F 6 | 501766D2 | 795 | 1-E 9 | 501884D1 | 1217 | 1-G 3 |
| 501585D1 | 51 | 1-B 7 | 501708D1 | 1003 | 1-F 6 | 501766D2 | 1217 | 1-G 3 | 501885D1 | 1147 | 1-F 20 |
| 501585D1 | 61 | 1-B 8 | 501709D1 | 1001 | 1-F 6 | 501767D1 | 789 | 1-E 8 | 501886D1 | 1147 | 1-F 20 |
| 501585D1 | 85 | 1-B 10 | 501709D1 | 1003 | 1-F 6 | 501767D1 | 795 | 1-E 9 | 501887D1 | 257 | 1-C 3 |
| 501586D1 | 53 | 1-B 7 | 501710D1 | 1001 | 1-F 6 | 501771D1 | 791 | 1-E 9 | 501887D1 | 259 | 1-C 3 |
| 501586D1 | 63 | 1-B 8 | 501711D2 | 1001 | 1-F 6 | 501771D1 | 793 | 1-E 9 | 501891D1 | 153 | 1-B 17 |
| 501586D1 | 87 | 1-B 10 | 501712D1 | 1003 | 1-F 6 | 501771D1 | 1217 | 1-G 3 | 501896D1 | 1149 | 1-F 20 |
| 501587D1 | 55 | 1-B 7 | 501713D1 | 1001 | 1-F 6 | 501772D1 | 147 | 1-B 16 | 501896D1 | 1151 | 1-F 21 |
| 501587D1 | 65 | 1-B 8 | 501713D1 | 1003 | 1-F 6 | 501773D1 | 147 | 1-B 16 | 501898D1 | 1117 | 1-F 17 |
| 501587D1 | 89 | 1-B 10 | 501714D1 | 1001 | 1-F 6 | 501775D1 | 565 | 1-D 10 | 501898D1 | 1125 | 1-F 18 |
| 501588D1 | 47 | 1-B 6 | 501714D1 | 1003 | 1-F 6 | 501785D1 | 565 | 1-D 10 | 501899D1 | 1123 | 1-F 18 |
| 501588D1 | 67 | 1-B 8 | 501716D1 | 1001 | 1-F 6 | 501806D1 | 365 | 1-C 14 | 501900D1 | 1125 | 1-F 18 |
| 501589D1 | 49 | 1-B 6 | 501716D1 | 1003 | 1-F 6 | 501806D1 | 961 | 1-F 2 | 501900D1 | 1129 | 1-F 18 |
| 501589D1 | 69 | 1-B 8 | 501717D1 | 1003 | 1-F 6 | 501806D1 | 963 | 1-F 2 | 501902D1 | 1129 | 1-F 18 |
| 501590D1 | 51 | 1-B 7 | 501718D1 | 1001 | 1-F 6 | 501809D1 | 77 | 1-B 9 | 501902D1 | 1131 | 1-F 19 |
| 501590D1 | 71 | 1-B 9 | 501718D1 | 1003 | 1-F 6 | 501809D1 | 79 | 1-B 9 | 501903D1 | 1129 | 1-F 18 |
| 501591D1 | 53 | 1-B 7 | 501719D1 | 1001 | 1-F 6 | 501809D1 | 797 | 1-E 9 | 501903D1 | 1131 | 1-F 19 |
| 501591D1 | 73 | 1-B 9 | 501719D1 | 1003 | 1-F 6 | 501810D1 | 47 | 1-B 6 | 501906D1 | 1129 | 1-F 18 |
| 501592D1 | 55 | 1-B 7 | 501720D2 | 1001 | 1-F 6 | 501810D1 | 49 | 1-B 6 | 501906D1 | 1131 | 1-F 19 |
| 501592D1 | 75 | 1-B 9 | 501720D2 | 1003 | 1-F 6 | 501810D1 | 51 | 1-B 7 | 501907D2 | 1129 | 1-F 18 |
| 501593D1 | 57 | 1-B 7 | 501721D2 | 1001 | 1-F 6 | 501810D1 | 53 | 1-B 7 | 501907D2 | 1131 | 1-F 19 |
| 501594D1 | 59 | 1-B 7 | 501721D2 | 1003 | 1-F 6 | 501810D1 | 55 | 1-B 7 | 501908D1 | 1119 | 1-F 17 |
| 501595D1 | 61 | 1-B 8 | 501722D2 | 1001 | 1-F 6 | 501810D1 | 77 | 1-B 9 | 501909D1 | 1119 | 1-F 17 |
| 501596D1 | 63 | 1-B 8 | 501722D2 | 1003 | 1-F 6 | 501811D1 | 57 | 1-B 7 | 501909D1 | 1127 | 1-F 18 |
| 501597D1 | 65 | 1-B 8 | 501723D2 | 1001 | 1-F 6 | 501811D1 | 59 | 1-B 7 | 501910D1 | 1119 | 1-F 17 |
| 501600D1 | 95 | 1-B 11 | 501723D2 | 1003 | 1-F 6 | 501811D1 | 61 | 1-B 8 | 501911D1 | 1119 | 1-F 17 |
| 501600D1 | 691 | 1-D 23 | 501724D2 | 1001 | 1-F 6 | 501811D1 | 63 | 1-B 8 | 501912D1 | 1119 | 1-F 17 |
| 501600D1 | 693 | 1-D 23 | 501724D2 | 1003 | 1-F 6 | 501811D1 | 65 | 1-B 8 | 501912D1 | 1123 | 1-F 18 |
| 501600D1 | 695 | 1-D 23 | 501725D1 | 1001 | 1-F 6 | 501811D1 | 79 | 1-B 9 | 501913D1 | 1123 | 1-F 18 |
| 501600D1 | 697 | 1-D 23 | 501725D1 | 1003 | 1-F 6 | 501817D1 | 1029 | 1-F 8 | 501914D1 | 1123 | 1-F 18 |
| 501603D1 | 1157 | 1-F 21 | 501726D1 | 1001 | 1-F 6 | 501818D1 | 1029 | 1-F 8 | 501915D1 | 1123 | 1-F 18 |
| 501604D1 | 1155 | 1-F 21 | 501726D1 | 1003 | 1-F 6 | 501820D1 | 941 | 1-E 24 | 501916D1 | 1127 | 1-F 18 |
| 501605D1 | 67 | 1-B 8 | 501727D1 | 1001 | 1-F 6 | 501822D1 | 147 | 1-B 16 | 501916D1 | 1131 | 1-F 19 |
| 501606D1 | 69 | 1-B 8 | 501728D1 | 1001 | 1-F 6 | 501825D1 | 159 | 1-B 17 | 501917D1 | 1131 | 1-F 19 |
| 501607D1 | 71 | 1-B 9 | 501729D1 | 1001 | 1-F 6 | 501826D1 | 1053 | 1-F 11 | 501918D1 | 1131 | 1-F 19 |
| 501608D1 | 73 | 1-B 9 | 501730D1 | 1001 | 1-F 6 | 501829D1 | 197 | 1-B 21 | 501919D1 | 1131 | 1-F 19 |
| 501609D1 | 75 | 1-B 9 | 501730D1 | 1003 | 1-F 6 | 501829D1 | 199 | 1-B 21 | 501920D1 | 1131 | 1-F 19 |
| 501615D1 | 47 | 1-B 6 | 501731D1 | 1001 | 1-F 6 | 501829D1 | 261 | 1-C 4 | 501921D1 | 1123 | 1-F 18 |
| 501615D1 | 57 | 1-B 7 | 501731D1 | 1003 | 1-F 6 | 501830D1 | 257 | 1-C 3 | 501921D1 | 1131 | 1-F 19 |
| 501615D1 | 1159 | 1-F 21 | 501732D1 | 1001 | 1-F 6 | 501830D1 | 263 | 1-C 4 | 501922D1 | 1131 | 1-F 19 |
| 501616D1 | 49 | 1-B 6 | 501733D1 | 1001 | 1-F 6 | 501831D1 | 259 | 1-C 3 | 501934D1 | 227 | 1-B 24 |
| 501616D1 | 59 | 1-B 7 | 501734D1 | 1001 | 1-F 6 | 501831D1 | 265 | 1-C 4 | 501934D1 | 655 | 1-D 19 |
| 501616D1 | 1161 | 1-F 22 | 501735D1 | 1001 | 1-F 6 | 501832D1 | 257 | 1-C 3 | 501935D1 | 227 | 1-B 24 |
| 501617D1 | 51 | 1-B 7 | 501737D1 | 1001 | 1-F 6 | 501832D1 | 259 | 1-C 3 | 501935D1 | 319 | 1-C 9 |
| 501617D1 | 61 | 1-B 8 | 501738D1 | 1003 | 1-F 6 | 501832D1 | 267 | 1-C 4 | 501935D1 | 325 | 1-C 10 |
| 501617D1 | 1163 | 1-F 22 | 501738D1 | 1065 | 1-F 12 | 501833D1 | 257 | 1-C 3 | 501936D1 | 227 | 1-B 24 |
| 501618D1 | 53 | 1-B 7 | 501739D1 | 599 | 1-D 13 | 501833D1 | 259 | 1-C 3 | 501938D1 | 805 | 1-E 10 |
| 501618D1 | 63 | 1-B 8 | 501739D1 | 601 | 1-D 14 | 501833D1 | 269 | 1-C 4 | 501939D1 | 805 | 1-E 10 |
| 501618D1 | 1165 | 1-F 22 | 501739D1 | 603 | 1-D 14 | 501834D1 | 257 | 1-C 3 | 501940D1 | 329 | 1-C 10 |
| 501619D1 | 55 | 1-B 7 | 501739D1 | 605 | 1-D 14 | 501834D1 | 259 | 1-C 3 | 501941D1 | 323 | 1-C 10 |
| 501619D1 | 65 | 1-B 8 | 501739D1 | 607 | 1-D 14 | 501834D1 | 271 | 1-C 5 | 501941D1 | 327 | 1-C 10 |
| 501619D1 | 1167 | 1-F 22 | 501739D1 | 609 | 1-D 14 | 501835D1 | 257 | 1-C 3 | 501942D1 | 91 | 1-B 11 |
| 501676D1 | 81 | 1-B 10 | 501739D1 | 611 | 1-D 15 | 501835D1 | 259 | 1-C 3 | 501944D1 | 1033 | 1-F 9 |
| 501677D1 | 83 | 1-B 10 | 501739D1 | 613 | 1-D 15 | 501835D1 | 273 | 1-C 5 | 501947D1 | 899 | 1-E 19 |
| 501678D1 | 85 | 1-B 10 | 501739D1 | 615 | 1-D 15 | 501836D1 | 261 | 1-C 4 | 501948D1 | 943 | 1-E 24 |
| 501679D1 | 87 | 1-B 10 | 501740D1 | 999 | 1-F 5 | 501836D1 | 263 | 1-C 4 | 501948D1 | 991 | 1-F 5 |
| 501680D1 | 89 | 1-B 10 | 501742D1 | 599 | 1-D 13 | 501836D1 | 265 | 1-C 4 | 501949D1 | 319 | 1-C 9 |
| 501688D1 | 1153 | 1-F 21 | 501742D1 | 601 | 1-D 14 | 501836D1 | 267 | 1-C 4 | 501949D1 | 325 | 1-C 10 |
| 501688D1 | 1155 | 1-F 21 | 501742D1 | 603 | 1-D 14 | 501836D1 | 269 | 1-C 4 | 501950D1 | 797 | 1-E 9 |
| 501688D1 | 1217 | 1-G 3 | 501742D1 | 605 | 1-D 14 | 501836D1 | 271 | 1-C 5 | 501950D1 | 803 | 1-E 10 |
| 501697D1 | 999 | 1-F 5 | 501742D1 | 607 | 1-D 14 | 501836D1 | 273 | 1-C 5 | 501950D1 | 805 | 1-E 10 |
| 501697D1 | 1003 | 1-F 6 | 501742D1 | 609 | 1-D 14 | 501837D1 | 263 | 1-C 4 | 501952D1 | 341 | 1-C 12 |
| 501700D1 | 1003 | 1-F 6 | 501742D1 | 611 | 1-D 15 | 501838D1 | 269 | 1-C 4 | 501952D1 | 347 | 1-C 12 |
| 501701D2 | 1001 | 1-F 6 | 501742D1 | 613 | 1-D 15 | 501839D1 | 271 | 1-C 5 | 501962D1 | 227 | 1-B 24 |
| 501701D2 | 1003 | 1-F 6 | 501742D1 | 615 | 1-D 15 | 501840D1 | 265 | 1-C 4 | 501962D1 | 349 | 1-C 12 |
| 501702D1 | 1001 | 1-F 6 | 501743D1 | 599 | 1-D 13 | 501841D1 | 261 | 1-C 4 | 501963D1 | 941 | 1-E 24 |
| 501702D1 | 1003 | 1-F 6 | 501743D1 | 601 | 1-D 14 | 501842D1 | 273 | 1-C 5 | 501966D1 | 283 | 1-C 6 |
| 501703D1 | 1001 | 1-F 6 | 501743D1 | 603 | 1-D 14 | 501877D1 | 267 | 1-C 4 | 501967D1 | 283 | 1-C 6 |
| 501703D1 | 1003 | 1-F 6 | 501743D1 | 605 | 1-D 14 | 501878D1 | 151 | 1-B 17 | 501967D1 | 309 | 1-C 8 |
| 501704D1 | 1001 | 1-F 6 | 501743D1 | 607 | 1-D 14 | 501878D1 | 153 | 1-B 17 | 501973D1 | 165 | 1-B 18 |
| 501704D1 | 1003 | 1-F 6 | 501743D1 | 609 | 1-D 14 | 501879D1 | 157 | 1-B 17 | 501975D1 | 95 | 1-B 11 |
| 501705D1 | 1001 | 1-F 6 | 501743D1 | 611 | 1-D 15 | 501880D1 | 159 | 1-B 17 | 501976D1 | 95 | 1-B 11 |

MT800B SERIES TRACTORS

41
INDEX

| Part No. | Page | Grid | Part No. | Page | Grid | Part No. | Page | Grid | Part No. | Page | Grid |
|----------|------|--------|----------|------|--------|----------|------|--------|----------|------|--------|
| 501977D1 | 95 | 1-B 11 | 502117D1 | 513 | 1-D 5 | 502259D1 | 185 | 1-B 20 | 502496D1 | 49 | 1-B 6 |
| 501992D1 | 167 | 1-B 18 | 502118D1 | 517 | 1-D 5 | 502259D1 | 187 | 1-B 20 | 502496D1 | 51 | 1-B 7 |
| 501993D1 | 167 | 1-B 18 | 502120D1 | 1049 | 1-F 10 | 502266D1 | 185 | 1-B 20 | 502496D1 | 53 | 1-B 7 |
| 501996D1 | 591 | 1-D 13 | 502121D1 | 1049 | 1-F 10 | 502267D1 | 1001 | 1-F 6 | 502496D1 | 55 | 1-B 7 |
| 501997D1 | 591 | 1-D 13 | 502122D1 | 1049 | 1-F 10 | 502276D1 | 347 | 1-C 12 | 502496D1 | 57 | 1-B 7 |
| 501998D1 | 343 | 1-C 12 | 502130D1 | 517 | 1-D 5 | 502277D1 | 153 | 1-B 17 | 502496D1 | 59 | 1-B 7 |
| 501998D1 | 347 | 1-C 12 | 502141D1 | 605 | 1-D 14 | 502278D1 | 153 | 1-B 17 | 502496D1 | 61 | 1-B 8 |
| 501999D1 | 309 | 1-C 8 | 502142D1 | 599 | 1-D 13 | 502279D1 | 1179 | 1-F 23 | 502496D1 | 63 | 1-B 8 |
| 502000D1 | 309 | 1-C 8 | 502143D1 | 607 | 1-D 14 | 502280D1 | 159 | 1-B 17 | 502496D1 | 65 | 1-B 8 |
| 502003D1 | 195 | 1-B 21 | 502144D1 | 601 | 1-D 14 | 502281D1 | 159 | 1-B 17 | 502496D1 | 367 | 1-C 14 |
| 502003D1 | 281 | 1-C 6 | 502145D1 | 609 | 1-D 14 | 502282D1 | 285 | 1-C 6 | 502498D1 | 365 | 1-C 14 |
| 502005D1 | 333 | 1-C 11 | 502146D1 | 603 | 1-D 14 | 502282D1 | 287 | 1-C 6 | 502498D1 | 929 | 1-E 22 |
| 502005D1 | 335 | 1-C 11 | 502147D1 | 611 | 1-D 15 | 502283D1 | 285 | 1-C 6 | 502499D1 | 999 | 1-F 5 |
| 502006D1 | 333 | 1-C 11 | 502148D1 | 613 | 1-D 15 | 502283D1 | 289 | 1-C 6 | 502499D1 | 1003 | 1-F 6 |
| 502006D1 | 335 | 1-C 11 | 502149D1 | 615 | 1-D 15 | 502308D1 | 95 | 1-B 11 | 502500D1 | 997 | 1-F 5 |
| 502009D1 | 209 | 1-B 22 | 502158D1 | 681 | 1-D 22 | 502309D1 | 95 | 1-B 11 | 502500D1 | 1001 | 1-F 6 |
| 502009D1 | 333 | 1-C 11 | 502159D1 | 661 | 1-D 20 | 502310D1 | 95 | 1-B 11 | 502501D1 | 999 | 1-F 5 |
| 502010D1 | 1051 | 1-F 11 | 502160D1 | 685 | 1-D 22 | 502314D1 | 95 | 1-B 11 | 502501D1 | 1011 | 1-F 7 |
| 502011D1 | 1051 | 1-F 11 | 502161D1 | 683 | 1-D 22 | 502321D1 | 1083 | 1-F 14 | 502501D1 | 1015 | 1-F 7 |
| 502026D1 | 1147 | 1-F 20 | 502162D1 | 663 | 1-D 20 | 502321D1 | 1085 | 1-F 14 | 502502D1 | 997 | 1-F 5 |
| 502027D1 | 613 | 1-D 15 | 502163D1 | 687 | 1-D 22 | 502322D1 | 1083 | 1-F 14 | 502502D1 | 1009 | 1-F 6 |
| 502028D1 | 615 | 1-D 15 | 502171D1 | 323 | 1-C 10 | 502322D1 | 1085 | 1-F 14 | 502502D1 | 1013 | 1-F 7 |
| 502031D1 | 899 | 1-E 19 | 502173D1 | 327 | 1-C 10 | 502323D1 | 627 | 1-D 16 | 502509D1 | 1067 | 1-F 12 |
| 502033D1 | 1003 | 1-F 6 | 502175D1 | 337 | 1-C 11 | 502324D1 | 629 | 1-D 16 | 502509D1 | 1069 | 1-F 12 |
| 502035D1 | 333 | 1-C 11 | 502176D1 | 299 | 1-C 7 | 502325D1 | 627 | 1-D 16 | 502510D1 | 1067 | 1-F 12 |
| 502035D1 | 335 | 1-C 11 | 502177D1 | 233 | 1-C 1 | 502325D1 | 629 | 1-D 16 | 502510D1 | 1069 | 1-F 12 |
| 502036D1 | 1003 | 1-F 6 | 502179D1 | 247 | 1-C 2 | 502325D1 | 677 | 1-D 21 | 502517D1 | 997 | 1-F 5 |
| 502037D1 | 647 | 1-D 18 | 502180D1 | 317 | 1-C 9 | 502332D1 | 95 | 1-B 11 | 502517D1 | 999 | 1-F 5 |
| 502037D1 | 677 | 1-D 21 | 502183D1 | 187 | 1-B 20 | 502352D1 | 81 | 1-B 10 | 502523D1 | 643 | 1-D 18 |
| 502038D1 | 781 | 1-E 8 | 502183D1 | 1217 | 1-G 3 | 502352D1 | 83 | 1-B 10 | 502523D1 | 645 | 1-D 18 |
| 502038D1 | 887 | 1-E 18 | 502185D1 | 599 | 1-D 13 | 502352D1 | 85 | 1-B 10 | 502523D1 | 647 | 1-D 18 |
| 502038D1 | 889 | 1-E 18 | 502185D1 | 601 | 1-D 14 | 502352D1 | 87 | 1-B 10 | 502523D1 | 649 | 1-D 18 |
| 502038D1 | 899 | 1-E 19 | 502185D1 | 603 | 1-D 14 | 502352D1 | 89 | 1-B 10 | 502528D1 | 1001 | 1-F 6 |
| 502039D1 | 877 | 1-E 17 | 502185D1 | 605 | 1-D 14 | 502352D1 | 165 | 1-B 18 | 502528D1 | 1003 | 1-F 6 |
| 502039D1 | 887 | 1-E 18 | 502185D1 | 607 | 1-D 14 | 502353D1 | 79 | 1-B 9 | 502529D1 | 131 | 1-B 15 |
| 502040D1 | 879 | 1-E 17 | 502185D1 | 609 | 1-D 14 | 502353D1 | 557 | 1-D 9 | 502530D1 | 139 | 1-B 15 |
| 502040D1 | 889 | 1-E 18 | 502185D1 | 611 | 1-D 15 | 502353D1 | 559 | 1-D 9 | 502530D1 | 141 | 1-B 16 |
| 502041D1 | 1059 | 1-F 11 | 502185D1 | 613 | 1-D 15 | 502357D1 | 691 | 1-D 23 | 502535D1 | 851 | 1-E 15 |
| 502041D1 | 1061 | 1-F 12 | 502185D1 | 615 | 1-D 15 | 502358D1 | 693 | 1-D 23 | 502536D1 | 851 | 1-E 15 |
| 502042D1 | 1059 | 1-F 11 | 502188D1 | 321 | 1-C 10 | 502359D1 | 695 | 1-D 23 | 502537D1 | 851 | 1-E 15 |
| 502042D1 | 1061 | 1-F 12 | 502188D1 | 325 | 1-C 10 | 502360D1 | 697 | 1-D 23 | 502540D1 | 113 | 1-B 13 |
| 502043D1 | 1059 | 1-F 11 | 502188D1 | 1217 | 1-G 3 | 502423D1 | 205 | 1-B 22 | 502540D1 | 121 | 1-B 14 |
| 502043D1 | 1061 | 1-F 12 | 502189D1 | 331 | 1-C 11 | 502423D1 | 207 | 1-B 22 | 502540D1 | 123 | 1-B 14 |
| 502045D1 | 1059 | 1-F 11 | 502190D1 | 247 | 1-C 2 | 502423D1 | 209 | 1-B 22 | 502540D1 | 125 | 1-B 14 |
| 502045D1 | 1061 | 1-F 12 | 502191D1 | 1135 | 1-F 19 | 502434D1 | 197 | 1-B 21 | 502541D1 | 121 | 1-B 14 |
| 502048D1 | 1059 | 1-F 11 | 502193D1 | 649 | 1-D 18 | 502434D1 | 199 | 1-B 21 | 502556D1 | 131 | 1-B 15 |
| 502048D1 | 1061 | 1-F 12 | 502193D1 | 677 | 1-D 21 | 502435D1 | 199 | 1-B 21 | 502556D1 | 133 | 1-B 15 |
| 502049D1 | 575 | 1-D 11 | 502197D1 | 341 | 1-C 12 | 502446D1 | 185 | 1-B 20 | 502557D1 | 81 | 1-B 10 |
| 502050D1 | 987 | 1-F 4 | 502198D1 | 357 | 1-C 13 | 502446D1 | 189 | 1-B 20 | 502557D1 | 83 | 1-B 10 |
| 502051D1 | 877 | 1-E 17 | 502199D1 | 185 | 1-B 20 | 502446D1 | 1217 | 1-G 3 | 502557D1 | 85 | 1-B 10 |
| 502052D1 | 879 | 1-E 17 | 502199D1 | 187 | 1-B 20 | 502446D1 | 1217 | 1-G 3 | 502557D1 | 87 | 1-B 10 |
| 502055D1 | 79 | 1-B 9 | 502200D1 | 185 | 1-B 20 | 502454D1 | 713 | 1-E 1 | 502557D1 | 131 | 1-B 15 |
| 502055D1 | 575 | 1-D 11 | 502200D1 | 187 | 1-B 20 | 502454D1 | 745 | 1-E 4 | 502558D1 | 81 | 1-B 10 |
| 502064D1 | 1023 | 1-F 8 | 502201D1 | 185 | 1-B 20 | 502456D1 | 77 | 1-B 9 | 502558D1 | 83 | 1-B 10 |
| 502069D1 | 561 | 1-D 10 | 502201D1 | 187 | 1-B 20 | 502456D1 | 713 | 1-E 1 | 502558D1 | 85 | 1-B 10 |
| 502070D1 | 139 | 1-B 15 | 502203D1 | 185 | 1-B 20 | 502460D1 | 745 | 1-E 4 | 502558D1 | 87 | 1-B 10 |
| 502070D1 | 141 | 1-B 16 | 502203D1 | 187 | 1-B 20 | 502461D1 | 745 | 1-E 4 | 502558D1 | 139 | 1-B 15 |
| 502072D1 | 243 | 1-C 2 | 502205D1 | 185 | 1-B 20 | 502462D1 | 745 | 1-E 4 | 502570D1 | 307 | 1-C 8 |
| 502088D1 | 939 | 1-E 23 | 502205D1 | 187 | 1-B 20 | 502463D1 | 745 | 1-E 4 | 502572D1 | 307 | 1-C 8 |
| 502088D1 | 941 | 1-E 24 | 502207D1 | 187 | 1-B 20 | 502464D1 | 745 | 1-E 4 | 502575D1 | 131 | 1-B 15 |
| 502094D1 | 229 | 1-B 24 | 502214D1 | 823 | 1-E 12 | 502465D1 | 745 | 1-E 4 | 502575D1 | 133 | 1-B 15 |
| 502095D1 | 941 | 1-E 24 | 502214D1 | 875 | 1-E 17 | 502468D1 | 791 | 1-E 9 | 502578D1 | 133 | 1-B 15 |
| 502096D1 | 941 | 1-E 24 | 502217D1 | 779 | 1-E 7 | 502468D1 | 793 | 1-E 9 | 502579D1 | 89 | 1-B 10 |
| 502097D1 | 941 | 1-E 24 | 502217D1 | 781 | 1-E 8 | 502469D1 | 791 | 1-E 9 | 502579D1 | 113 | 1-B 13 |
| 502099D1 | 209 | 1-B 22 | 502218D1 | 779 | 1-E 7 | 502469D1 | 793 | 1-E 9 | 502580D1 | 89 | 1-B 10 |
| 502102D1 | 637 | 1-D 17 | 502220D1 | 797 | 1-E 9 | 502471D1 | 793 | 1-E 9 | 502580D1 | 133 | 1-B 15 |
| 502102D1 | 649 | 1-D 18 | 502220D1 | 813 | 1-E 11 | 502472D1 | 791 | 1-E 9 | 502581D1 | 133 | 1-B 15 |
| 502103D1 | 635 | 1-D 17 | 502220D1 | 817 | 1-E 11 | 502473D1 | 791 | 1-E 9 | 502582D1 | 125 | 1-B 14 |
| 502103D1 | 647 | 1-D 18 | 502237D1 | 635 | 1-D 17 | 502474D1 | 197 | 1-B 21 | 502583D1 | 125 | 1-B 14 |
| 502104D1 | 635 | 1-D 17 | 502237D1 | 637 | 1-D 17 | 502475D1 | 791 | 1-E 9 | 502586D1 | 129 | 1-B 14 |
| 502104D1 | 637 | 1-D 17 | 502242D1 | 199 | 1-B 21 | 502486D1 | 197 | 1-B 21 | 502591D1 | 125 | 1-B 14 |
| 502105D1 | 715 | 1-E 1 | 502244D1 | 313 | 1-C 9 | 502486D1 | 199 | 1-B 21 | 502592D1 | 113 | 1-B 13 |
| 502113D1 | 511 | 1-D 5 | 502245D1 | 243 | 1-C 2 | 502487D1 | 199 | 1-B 21 | 502609D1 | 303 | 1-C 8 |
| 502113D1 | 513 | 1-D 5 | 502258D1 | 185 | 1-B 20 | 502495D1 | 113 | 1-B 13 | 502610D1 | 303 | 1-C 8 |
| 502116D1 | 511 | 1-D 5 | 502258D1 | 187 | 1-B 20 | 502496D1 | 47 | 1-B 6 | 502611D1 | 303 | 1-C 8 |

INDEX

| Part No. | Page | Grid | Part No. | Page | Grid | Part No. | Page | Grid | Part No. | Page | Grid |
|----------|------|--------|----------|------|--------|----------|------|--------|----------|------|--------|
| 502612D1 | 303 | 1-C 8 | 6F-7044 | 319 | 1-C 9 | 6V-8084 | 459 | 1-C 23 | 7M-8485 | 421 | 1-C 20 |
| 502637D1 | 123 | 1-B 14 | 6F-7044 | 325 | 1-C 10 | 6V-8084 | 461 | 1-C 24 | 7M-8485 | 431 | 1-C 21 |
| 502640D1 | 1049 | 1-F 10 | 6H-3956 | 101 | 1-B 12 | 6V-8084 | 463 | 1-C 24 | 7M-8485 | 441 | 1-C 22 |
| 502643D1 | 791 | 1-E 9 | 6H-7611 | 485 | 1-D 2 | 6V-8378 | 287 | 1-C 6 | 7M-8485 | 451 | 1-C 23 |
| 502644D1 | 793 | 1-E 9 | 6H-7611 | 491 | 1-D 3 | 6V-8378 | 289 | 1-C 6 | 7M-8485 | 851 | 1-E 15 |
| 502646D1 | 89 | 1-B 10 | 6H-7611 | 497 | 1-D 3 | 6V-8397 | 415 | 1-C 19 | 7N-0296 | 283 | 1-C 6 |
| 502646D1 | 141 | 1-B 16 | 6I-3907 | 93 | 1-B 11 | 6V-8397 | 425 | 1-C 20 | 7T-1099 | 239 | 1-C 1 |
| 502647D1 | 77 | 1-B 9 | 6I-4467 | 149 | 1-B 16 | 6V-8397 | 435 | 1-C 21 | 7T-1099 | 413 | 1-C 19 |
| 502647D1 | 553 | 1-D 9 | 6N-3826 | 287 | 1-C 6 | 6V-8397 | 445 | 1-C 22 | 7T-1099 | 535 | 1-D 7 |
| 502647D1 | 555 | 1-D 9 | 6N-3826 | 289 | 1-C 6 | 6V-8455 | 653 | 1-D 19 | 7T-1099 | 539 | 1-D 7 |
| 502650D1 | 557 | 1-D 9 | 6S-3002 | 381 | 1-C 16 | 6V-8490 | 395 | 1-C 17 | 7T-1099 | 583 | 1-D 12 |
| 502651D1 | 557 | 1-D 9 | 6S-3002 | 385 | 1-C 16 | 6V-8490 | 409 | 1-C 18 | 7T-1099 | 585 | 1-D 12 |
| 502652D1 | 557 | 1-D 9 | 6V-0347 | 387 | 1-C 16 | 6V-8554 | 731 | 1-E 3 | 7T-1099 | 669 | 1-D 20 |
| 502655D1 | 589 | 1-D 12 | 6V-0347 | 389 | 1-C 16 | 6V-8636 | 415 | 1-C 19 | 7T-3267 | 287 | 1-C 6 |
| 502679D1 | 791 | 1-E 9 | 6V-0347 | 391 | 1-C 17 | 6V-8636 | 425 | 1-C 20 | 7T-3267 | 289 | 1-C 6 |
| 502679D1 | 793 | 1-E 9 | 6V-0347 | 393 | 1-C 17 | 6V-8636 | 435 | 1-C 21 | 7T-3268 | 287 | 1-C 6 |
| 502682D1 | 791 | 1-E 9 | 6V-0347 | 395 | 1-C 17 | 6V-8636 | 445 | 1-C 22 | 7T-3268 | 289 | 1-C 6 |
| 502683D1 | 793 | 1-E 9 | 6V-0347 | 397 | 1-C 17 | 6V-8647 | 487 | 1-D 2 | 7T-3271 | 287 | 1-C 6 |
| 502700D1 | 123 | 1-B 14 | 6V-0347 | 401 | 1-C 18 | 6V-8647 | 493 | 1-D 3 | 7T-3271 | 289 | 1-C 6 |
| 502701D1 | 121 | 1-B 14 | 6V-0347 | 403 | 1-C 18 | 6V-8647 | 499 | 1-D 3 | 7T-3275 | 287 | 1-C 6 |
| 502702D1 | 121 | 1-B 14 | 6V-0347 | 405 | 1-C 18 | 6V-8675 | 419 | 1-C 19 | 7T-3275 | 289 | 1-C 6 |
| 502717D1 | 121 | 1-B 14 | 6V-0347 | 407 | 1-C 18 | 6V-8675 | 421 | 1-C 20 | 7T-3279 | 287 | 1-C 6 |
| 502718D1 | 121 | 1-B 14 | 6V-0347 | 409 | 1-C 18 | 6V-8675 | 429 | 1-C 20 | 7T-3279 | 289 | 1-C 6 |
| 502733D1 | 89 | 1-B 10 | 6V-0347 | 411 | 1-C 19 | 6V-8675 | 431 | 1-C 21 | 7T-3451 | 287 | 1-C 6 |
| 502733D1 | 1061 | 1-F 12 | 6V-0347 | 415 | 1-C 19 | 6V-8675 | 439 | 1-C 21 | 7T-3451 | 289 | 1-C 6 |
| 502735D1 | 89 | 1-B 10 | 6V-0347 | 423 | 1-C 20 | 6V-8675 | 441 | 1-C 22 | 7T-3454 | 287 | 1-C 6 |
| 502735D1 | 169 | 1-B 18 | 6V-0347 | 433 | 1-C 21 | 6V-8675 | 449 | 1-C 22 | 7T-3454 | 289 | 1-C 6 |
| 502736D1 | 169 | 1-B 18 | 6V-0347 | 443 | 1-C 22 | 6V-8675 | 451 | 1-C 23 | 7T-3973 | 287 | 1-C 6 |
| 502737D1 | 169 | 1-B 18 | 6V-0484 | 381 | 1-C 16 | 6V-8714 | 139 | 1-B 15 | 7T-3974 | 287 | 1-C 6 |
| 502738D1 | 89 | 1-B 10 | 6V-0484 | 383 | 1-C 16 | 6V-8714 | 141 | 1-B 16 | 7T-3974 | 289 | 1-C 6 |
| 502738D1 | 129 | 1-B 14 | 6V-0852 | 381 | 1-C 16 | 6V-8724 | 415 | 1-C 19 | 7T-5594 | 387 | 1-C 16 |
| 502743D1 | 113 | 1-B 13 | 6V-0852 | 383 | 1-C 16 | 6V-8724 | 425 | 1-C 20 | 7T-5594 | 389 | 1-C 16 |
| 502745D1 | 113 | 1-B 13 | 6V-0852 | 413 | 1-C 19 | 6V-8724 | 435 | 1-C 21 | 7T-5594 | 391 | 1-C 17 |
| 502759D1 | 311 | 1-C 9 | 6V-0852 | 489 | 1-D 2 | 6V-8724 | 445 | 1-C 22 | 7T-5594 | 393 | 1-C 17 |
| 502762D1 | 549 | 1-D 8 | 6V-0852 | 495 | 1-D 3 | 6V-9000 | 487 | 1-D 2 | 7T-5594 | 395 | 1-C 17 |
| 502767D1 | 697 | 1-D 23 | 6V-0852 | 501 | 1-D 4 | 6V-9000 | 493 | 1-D 3 | 7T-5594 | 397 | 1-C 17 |
| 502772D1 | 549 | 1-D 8 | 6V-3532 | 419 | 1-C 19 | 6V-9000 | 499 | 1-D 3 | 7T-5594 | 401 | 1-C 18 |
| 502776D1 | 1067 | 1-F 12 | 6V-3532 | 429 | 1-C 20 | 6V-9189 | 457 | 1-C 23 | 7T-5594 | 403 | 1-C 18 |
| 502777D1 | 1147 | 1-F 20 | 6V-3532 | 439 | 1-C 21 | 6V-9189 | 459 | 1-C 23 | 7T-5594 | 405 | 1-C 18 |
| 502779D1 | 607 | 1-D 14 | 6V-3532 | 449 | 1-C 22 | 6V-9189 | 461 | 1-C 24 | 7T-5594 | 407 | 1-C 18 |
| 502780D1 | 609 | 1-D 14 | 6V-3668 | 419 | 1-C 19 | 6V-9189 | 463 | 1-C 24 | 7T-5594 | 409 | 1-C 18 |
| 502781D1 | 611 | 1-D 15 | 6V-3668 | 429 | 1-C 20 | 6Y-1223 | 453 | 1-C 23 | 7T-5594 | 411 | 1-C 19 |
| 502782D1 | 613 | 1-D 15 | 6V-3668 | 439 | 1-C 21 | 6Y-5631 | 485 | 1-D 2 | 7T-5594 | 487 | 1-D 2 |
| 502783D1 | 615 | 1-D 15 | 6V-3668 | 449 | 1-C 22 | 6Y-5631 | 491 | 1-D 3 | 7T-5594 | 493 | 1-D 3 |
| 502784D1 | 519 | 1-D 5 | 6V-3940 | 473 | 1-D 1 | 6Y-5631 | 497 | 1-D 3 | 7T-5594 | 499 | 1-D 3 |
| 502786D1 | 663 | 1-D 20 | 6V-3965 | 381 | 1-C 16 | 6Y-7968 | 485 | 1-D 2 | 7T-9356 | 485 | 1-D 2 |
| 502787D1 | 687 | 1-D 22 | 6V-3965 | 383 | 1-C 16 | 6Y-7968 | 491 | 1-D 3 | 7T-9356 | 491 | 1-D 3 |
| 502788D1 | 683 | 1-D 22 | 6V-3965 | 471 | 1-D 1 | 6Y-7968 | 497 | 1-D 3 | 7T-9356 | 497 | 1-D 3 |
| 502793D1 | 1143 | 1-F 20 | 6V-3965 | 489 | 1-D 2 | 7C-6467 | 457 | 1-C 23 | 7X-0533 | 1211 | 1-G 3 |
| 502913D1 | 683 | 1-D 22 | 6V-3965 | 495 | 1-D 3 | 7C-6467 | 459 | 1-C 23 | 7X-0561 | 653 | 1-D 19 |
| 502914D1 | 663 | 1-D 20 | 6V-3965 | 501 | 1-D 4 | 7C-6467 | 461 | 1-C 24 | 7X-0562 | 287 | 1-C 6 |
| 502915D1 | 687 | 1-D 22 | 6V-3965 | 503 | 1-D 4 | 7C-6467 | 463 | 1-C 24 | 7X-0562 | 289 | 1-C 6 |
| 502916D1 | 519 | 1-D 5 | 6V-4249 | 499 | 1-D 3 | 7C-6467 | 489 | 1-D 2 | 7X-2532 | 455 | 1-C 23 |
| 502931D1 | 661 | 1-D 20 | 6V-4442 | 421 | 1-C 20 | 7C-6467 | 495 | 1-D 3 | 7X-2549 | 583 | 1-D 12 |
| 502932D1 | 663 | 1-D 20 | 6V-4442 | 431 | 1-C 21 | 7C-6467 | 501 | 1-D 4 | 7X-2552 | 587 | 1-D 12 |
| 503061D1 | 665 | 1-D 20 | 6V-4442 | 441 | 1-C 22 | 7E-8923 | 97 | 1-B 11 | 7X-2553 | 455 | 1-C 23 |
| 503061D1 | 667 | 1-D 20 | 6V-4442 | 451 | 1-C 23 | 7E-8925 | 97 | 1-B 11 | 7X-2565 | 669 | 1-D 20 |
| 503493D1 | 647 | 1-D 18 | 6V-5215 | 487 | 1-D 2 | 7E-8926 | 97 | 1-B 11 | 7X-2566 | 381 | 1-C 16 |
| 503494D1 | 649 | 1-D 18 | 6V-5215 | 493 | 1-D 3 | 7E-8928 | 97 | 1-B 11 | 7X-2566 | 385 | 1-C 16 |
| 503638D1 | 695 | 1-D 23 | 6V-5215 | 499 | 1-D 3 | 7G-2510 | 395 | 1-C 17 | 7X-2569 | 455 | 1-C 23 |
| 503639D1 | 219 | 1-B 23 | 6V-5218 | 473 | 1-D 1 | 7G-2510 | 397 | 1-C 17 | 7X-2578 | 457 | 1-C 23 |
| 503953D1 | 95 | 1-B 11 | 6V-5224 | 459 | 1-C 23 | 7G-2510 | 409 | 1-C 18 | 7X-2578 | 459 | 1-C 23 |
| 504421D1 | 149 | 1-B 16 | 6V-5224 | 461 | 1-C 24 | 7G-2510 | 411 | 1-C 19 | 7X-2578 | 461 | 1-C 24 |
| 504422D1 | 149 | 1-B 16 | 6V-5224 | 463 | 1-C 24 | 7G-6945 | 399 | 1-C 17 | 7X-2578 | 463 | 1-C 24 |
| 504445D1 | 1053 | 1-F 11 | 6V-5684 | 399 | 1-C 17 | 7G-8839 | 583 | 1-D 12 | 7X-3373 | 287 | 1-C 6 |
| 504789D1 | 683 | 1-D 22 | 6V-5815 | 393 | 1-C 17 | 7H-0832 | 415 | 1-C 19 | 7X-3373 | 289 | 1-C 6 |
| 504790D1 | 683 | 1-D 22 | 6V-5815 | 401 | 1-C 18 | 7H-0832 | 423 | 1-C 20 | 7X-3396 | 465 | 1-C 24 |
| 6A-5591 | 381 | 1-C 16 | 6V-5839 | 413 | 1-C 19 | 7H-0832 | 433 | 1-C 21 | 7X-3396 | 467 | 1-C 24 |
| 6A-5591 | 383 | 1-C 16 | 6V-5842 | 487 | 1-D 2 | 7H-0832 | 443 | 1-C 22 | 7X-6315 | 343 | 1-C 12 |
| 6F-2956 | 381 | 1-C 16 | 6V-5842 | 493 | 1-D 3 | 7J-0204 | 381 | 1-C 16 | 7X-6315 | 349 | 1-C 12 |
| 6F-2956 | 383 | 1-C 16 | 6V-6654 | 421 | 1-C 20 | 7J-0204 | 383 | 1-C 16 | 7X-7816 | 417 | 1-C 19 |
| 6F-2956 | 415 | 1-C 19 | 6V-6654 | 431 | 1-C 21 | 7L-2894 | 287 | 1-C 6 | 7X-7816 | 427 | 1-C 20 |
| 6F-2956 | 423 | 1-C 20 | 6V-6654 | 441 | 1-C 22 | 7L-2894 | 289 | 1-C 6 | 7X-7816 | 437 | 1-C 21 |
| 6F-2956 | 433 | 1-C 21 | 6V-6654 | 451 | 1-C 23 | 7M-8485 | 381 | 1-C 16 | 7X-7816 | 447 | 1-C 22 |
| 6F-2956 | 443 | 1-C 22 | 6V-8084 | 457 | 1-C 23 | 7M-8485 | 383 | 1-C 16 | 72571006 | 303 | 1-C 8 |

MT800B SERIES TRACTORS

| Part No. | Page | Grid | Part No. | Page | Grid | Part No. | Page | Grid | Part No. | Page | Grid |
|-----------|------|--------|----------|------|--------|----------|------|--------|----------|------|--------|
| 7774664 | 93 | 1-B 11 | 8D-2256 | 427 | 1-C 20 | 8T-1159 | 415 | 1-C 19 | 8T-4189 | 587 | 1-D 12 |
| 7774664 | 95 | 1-B 11 | 8D-2256 | 437 | 1-C 21 | 8T-1159 | 425 | 1-C 20 | 8T-4195 | 381 | 1-C 16 |
| 7774664 | 115 | 1-B 13 | 8D-2256 | 447 | 1-C 22 | 8T-1159 | 435 | 1-C 21 | 8T-4195 | 385 | 1-C 16 |
| 7774664 | 117 | 1-B 13 | 8D-9671 | 185 | 1-B 20 | 8T-1159 | 445 | 1-C 22 | 8T-4195 | 415 | 1-C 19 |
| 7774664 | 123 | 1-B 14 | 8E-1143 | 473 | 1-D 1 | 8T-2572 | 387 | 1-C 16 | 8T-4195 | 419 | 1-C 19 |
| 7774664 | 125 | 1-B 14 | 8E-8276 | 485 | 1-D 2 | 8T-2572 | 389 | 1-C 16 | 8T-4195 | 425 | 1-C 20 |
| 7774664 | 127 | 1-B 14 | 8E-8276 | 491 | 1-D 3 | 8T-2572 | 391 | 1-C 17 | 8T-4195 | 429 | 1-C 20 |
| 7774664 | 139 | 1-B 15 | 8E-8276 | 497 | 1-D 3 | 8T-2572 | 393 | 1-C 17 | 8T-4195 | 435 | 1-C 21 |
| 7774664 | 141 | 1-B 16 | 8E-8277 | 485 | 1-D 2 | 8T-2572 | 395 | 1-C 17 | 8T-4195 | 439 | 1-C 21 |
| 7774664 | 155 | 1-B 17 | 8E-8277 | 491 | 1-D 3 | 8T-2572 | 397 | 1-C 17 | 8T-4195 | 445 | 1-C 22 |
| 7774664 | 157 | 1-B 17 | 8E-8277 | 497 | 1-D 3 | 8T-2572 | 401 | 1-C 18 | 8T-4195 | 449 | 1-C 22 |
| 7774664 | 167 | 1-B 18 | 8E-8310 | 417 | 1-C 19 | 8T-2572 | 403 | 1-C 18 | 8T-4195 | 453 | 1-C 23 |
| 7774664 | 169 | 1-B 18 | 8E-8310 | 421 | 1-C 20 | 8T-2572 | 405 | 1-C 18 | 8T-4195 | 483 | 1-D 2 |
| 7774664 | 197 | 1-B 21 | 8E-8310 | 427 | 1-C 20 | 8T-2572 | 407 | 1-C 18 | 8T-4195 | 489 | 1-D 2 |
| 7774664 | 241 | 1-C 2 | 8E-8310 | 431 | 1-C 21 | 8T-2572 | 409 | 1-C 18 | 8T-4195 | 495 | 1-D 3 |
| 7774664 | 553 | 1-D 9 | 8E-8310 | 437 | 1-C 21 | 8T-2572 | 411 | 1-C 19 | 8T-4195 | 501 | 1-D 4 |
| 7774664 | 555 | 1-D 9 | 8E-8310 | 441 | 1-C 22 | 8T-2572 | 487 | 1-D 2 | 8T-4195 | 1019 | 1-F 7 |
| 7774664 | 559 | 1-D 9 | 8E-8310 | 447 | 1-C 22 | 8T-2572 | 493 | 1-D 3 | 8T-4200 | 413 | 1-C 19 |
| 7774664 | 575 | 1-D 11 | 8E-8310 | 451 | 1-C 23 | 8T-2572 | 499 | 1-D 3 | 8T-4223 | 413 | 1-C 19 |
| 7774664 | 579 | 1-D 11 | 8E-8316 | 421 | 1-C 20 | 8T-3635 | 535 | 1-D 7 | 8T-4223 | 487 | 1-D 2 |
| 7774664 | 589 | 1-D 12 | 8E-8316 | 431 | 1-C 21 | 8T-4121 | 415 | 1-C 19 | 8T-4223 | 489 | 1-D 2 |
| 7774664 | 631 | 1-D 17 | 8E-8316 | 441 | 1-C 22 | 8T-4121 | 419 | 1-C 19 | 8T-4223 | 493 | 1-D 3 |
| 7774664 | 633 | 1-D 17 | 8E-8316 | 451 | 1-C 23 | 8T-4121 | 425 | 1-C 20 | 8T-4223 | 495 | 1-D 3 |
| 7774664 | 635 | 1-D 17 | 8E-8652 | 417 | 1-C 19 | 8T-4121 | 429 | 1-C 20 | 8T-4223 | 499 | 1-D 3 |
| 7774664 | 637 | 1-D 17 | 8E-8652 | 421 | 1-C 20 | 8T-4121 | 435 | 1-C 21 | 8T-4223 | 501 | 1-D 4 |
| 7774664 | 641 | 1-D 18 | 8E-8652 | 427 | 1-C 20 | 8T-4121 | 439 | 1-C 21 | 8T-4224 | 413 | 1-C 19 |
| 7774664 | 653 | 1-D 19 | 8E-8652 | 431 | 1-C 21 | 8T-4121 | 445 | 1-C 22 | 8T-4224 | 489 | 1-D 2 |
| 7774664 | 709 | 1-D 24 | 8E-8652 | 437 | 1-C 21 | 8T-4121 | 449 | 1-C 22 | 8T-4224 | 495 | 1-D 3 |
| 7774664 | 719 | 1-E 1 | 8E-8652 | 441 | 1-C 22 | 8T-4121 | 465 | 1-C 24 | 8T-4224 | 501 | 1-D 4 |
| 7774664 | 727 | 1-E 2 | 8E-8652 | 447 | 1-C 22 | 8T-4121 | 467 | 1-C 24 | 8T-4648 | 587 | 1-D 12 |
| 7774664 | 731 | 1-E 3 | 8E-8652 | 451 | 1-C 23 | 8T-4121 | 489 | 1-D 2 | 8T-4910 | 415 | 1-C 19 |
| 7774664 | 735 | 1-E 3 | 8E-8653 | 485 | 1-D 2 | 8T-4121 | 495 | 1-D 3 | 8T-4910 | 425 | 1-C 20 |
| 7774664 | 737 | 1-E 3 | 8E-8653 | 491 | 1-D 3 | 8T-4121 | 501 | 1-D 4 | 8T-4910 | 435 | 1-C 21 |
| 7774664 | 739 | 1-E 3 | 8E-8653 | 497 | 1-D 3 | 8T-4121 | 559 | 1-D 9 | 8T-4910 | 445 | 1-C 22 |
| 7774664 | 747 | 1-E 4 | 8F-1434 | 287 | 1-C 6 | 8T-4122 | 419 | 1-C 19 | 8T-4956 | 587 | 1-D 12 |
| 7774664 | 749 | 1-E 4 | 8F-1434 | 289 | 1-C 6 | 8T-4122 | 429 | 1-C 20 | 8T-4956 | 669 | 1-D 20 |
| 7774664 | 775 | 1-E 7 | 8F-3469 | 399 | 1-C 17 | 8T-4122 | 439 | 1-C 21 | 8T-5005 | 587 | 1-D 12 |
| 7774664 | 777 | 1-E 7 | 8H-1141 | 287 | 1-C 6 | 8T-4122 | 449 | 1-C 22 | 8T-5041 | 453 | 1-C 23 |
| 7774664 | 781 | 1-E 8 | 8H-1141 | 289 | 1-C 6 | 8T-4123 | 381 | 1-C 16 | 8T-5436 | 389 | 1-C 16 |
| 7774664 | 791 | 1-E 9 | 8J-8879 | 453 | 1-C 23 | 8T-4123 | 385 | 1-C 16 | 8T-5436 | 395 | 1-C 17 |
| 7774664 | 793 | 1-E 9 | 8L-2777 | 419 | 1-C 19 | 8T-4123 | 455 | 1-C 23 | 8T-5436 | 405 | 1-C 18 |
| 7774664 | 799 | 1-E 9 | 8L-2777 | 429 | 1-C 20 | 8T-4133 | 137 | 1-B 15 | 8T-5436 | 409 | 1-C 18 |
| 7774664 | 803 | 1-E 10 | 8L-2777 | 439 | 1-C 21 | 8T-4136 | 465 | 1-C 24 | 8T-5677 | 341 | 1-C 12 |
| 7774664 | 807 | 1-E 10 | 8L-2777 | 449 | 1-C 22 | 8T-4136 | 467 | 1-C 24 | 8T-5878 | 587 | 1-D 12 |
| 7774664 | 809 | 1-E 10 | 8M-5253 | 473 | 1-D 1 | 8T-4136 | 583 | 1-D 12 | 8T-6466 | 419 | 1-C 19 |
| 7774664 | 811 | 1-E 11 | 8M-7160 | 381 | 1-C 16 | 8T-4136 | 587 | 1-D 12 | 8T-6466 | 429 | 1-C 20 |
| 7774664 | 813 | 1-E 11 | 8M-7160 | 383 | 1-C 16 | 8T-4137 | 413 | 1-C 19 | 8T-6466 | 439 | 1-C 21 |
| 7774664 | 823 | 1-E 12 | 8M-7160 | 421 | 1-C 20 | 8T-4137 | 415 | 1-C 19 | 8T-6466 | 449 | 1-C 22 |
| 7774664 | 825 | 1-E 12 | 8M-7160 | 431 | 1-C 21 | 8T-4137 | 425 | 1-C 20 | 8T-6764 | 101 | 1-B 12 |
| 7774664 | 887 | 1-E 18 | 8M-7160 | 441 | 1-C 22 | 8T-4137 | 435 | 1-C 21 | 8T-6868 | 583 | 1-D 12 |
| 7774664 | 889 | 1-E 18 | 8M-7160 | 451 | 1-C 23 | 8T-4137 | 445 | 1-C 22 | 8T-6869 | 413 | 1-C 19 |
| 7774664 | 891 | 1-E 19 | 8P-7898 | 453 | 1-C 23 | 8T-4137 | 465 | 1-C 24 | 8T-6869 | 489 | 1-D 2 |
| 7774664 | 893 | 1-E 19 | 8S-0527 | 409 | 1-C 18 | 8T-4137 | 467 | 1-C 24 | 8T-6869 | 495 | 1-D 3 |
| 7774664 | 947 | 1-E 24 | 8S-0527 | 411 | 1-C 19 | 8T-4139 | 487 | 1-D 2 | 8T-6869 | 501 | 1-D 4 |
| 7774664 | 971 | 1-F 3 | 8S-0768 | 413 | 1-C 19 | 8T-4139 | 489 | 1-D 2 | 8T-6870 | 413 | 1-C 19 |
| 7774664 | 973 | 1-F 3 | 8S-0768 | 489 | 1-D 2 | 8T-4139 | 493 | 1-D 3 | 8T-7338 | 419 | 1-C 19 |
| 7774664 | 1059 | 1-F 11 | 8S-0768 | 495 | 1-D 3 | 8T-4139 | 495 | 1-D 3 | 8T-7338 | 429 | 1-C 20 |
| 7774664 | 1061 | 1-F 12 | 8S-0768 | 501 | 1-D 4 | 8T-4139 | 499 | 1-D 3 | 8T-7338 | 439 | 1-C 21 |
| 79019518B | 201 | 1-B 22 | 8T-0070 | 421 | 1-C 20 | 8T-4139 | 501 | 1-D 4 | 8T-7338 | 449 | 1-C 22 |
| 79019518B | 203 | 1-B 22 | 8T-0070 | 431 | 1-C 21 | 8T-4141 | 381 | 1-C 16 | 8T-8566 | 287 | 1-C 6 |
| 79019518B | 215 | 1-B 23 | 8T-0070 | 441 | 1-C 22 | 8T-4141 | 385 | 1-C 16 | 8T-8566 | 289 | 1-C 6 |
| 8C-3075 | 381 | 1-C 16 | 8T-0070 | 451 | 1-C 23 | 8T-4141 | 455 | 1-C 23 | 8T-8568 | 287 | 1-C 6 |
| 8C-3075 | 385 | 1-C 16 | 8T-0100 | 457 | 1-C 23 | 8T-4167 | 457 | 1-C 23 | 8T-8568 | 289 | 1-C 6 |
| 8C-3428 | 413 | 1-C 19 | 8T-0100 | 459 | 1-C 23 | 8T-4167 | 459 | 1-C 23 | 8T-8569 | 287 | 1-C 6 |
| 8C-5224 | 417 | 1-C 19 | 8T-0100 | 461 | 1-C 24 | 8T-4167 | 461 | 1-C 24 | 8T-8569 | 289 | 1-C 6 |
| 8C-5224 | 427 | 1-C 20 | 8T-0100 | 463 | 1-C 24 | 8T-4167 | 463 | 1-C 24 | 8T-8570 | 287 | 1-C 6 |
| 8C-5224 | 437 | 1-C 21 | 8T-0285 | 439 | 1-C 21 | 8T-4172 | 583 | 1-D 12 | 8T-8570 | 289 | 1-C 6 |
| 8C-5224 | 447 | 1-C 22 | 8T-0285 | 449 | 1-C 22 | 8T-4179 | 413 | 1-C 19 | 8T-8731 | 281 | 1-C 6 |
| 8C-5224 | 455 | 1-C 23 | 8T-0328 | 287 | 1-C 6 | 8T-4179 | 669 | 1-D 20 | 8T-9884 | 287 | 1-C 6 |
| 8C-5224 | 457 | 1-C 23 | 8T-0328 | 289 | 1-C 6 | 8T-4183 | 453 | 1-C 23 | 8T-9884 | 289 | 1-C 6 |
| 8C-5224 | 459 | 1-C 23 | 8T-0646 | 399 | 1-C 17 | 8T-4183 | 583 | 1-D 12 | 8T-9885 | 287 | 1-C 6 |
| 8C-5224 | 461 | 1-C 24 | 8T-0657 | 419 | 1-C 19 | 8T-4183 | 587 | 1-D 12 | 8T-9885 | 289 | 1-C 6 |
| 8C-5224 | 463 | 1-C 24 | 8T-0657 | 429 | 1-C 20 | 8T-4189 | 381 | 1-C 16 | 9B-0453 | 319 | 1-C 9 |
| 8C-9987 | 1211 | 1-G 3 | 8T-0657 | 439 | 1-C 21 | 8T-4189 | 385 | 1-C 16 | 9B-0453 | 325 | 1-C 10 |
| 8D-2256 | 417 | 1-C 19 | 8T-0657 | 449 | 1-C 22 | 8T-4189 | 583 | 1-D 12 | 9B-7233 | 287 | 1-C 6 |

MT800B SERIES TRACTORS

**45
INDEX**

| Part No. | Page | Grid | Part No. | Page | Grid | Part No. | Page | Grid | Part No. | Page | Grid |
|----------|------|------|----------|------|------|----------|------|------|----------|------|------|
|----------|------|------|----------|------|------|----------|------|------|----------|------|------|

MT800B SERIES TRACTORS
MACHINE ARRANGEMENT

BASE UNIT AR-MT835B - 501588D1
ROW

NO ILLUSTRATION

NOTIF

**MT800B SERIES TRACTORS
MACHINE ARRANGEMENT**

47

**BASE UNIT AR-MT835B - 501588D1
ROW**

| ITEM | NUMBER | QTY | DESCRIPTION |
|------|----------|-----|---|
| - | 501588D1 | - | BASE UNIT AR-MT835B (NOT SERVICED) |
| 1 | 501615D1 | 1 | FILM GP (MT835B) (NOT SERVICED) (SEE BREAKDOWN FOR COMPONENTS) |
| 2 | 501583D1 | 1 | INSTALLATION AR-ENGINE (NOT SERVICED) (SEE BREAKDOWN FOR COMPONENTS) |
| 3 | 501810D1 | - | BASE AR-COMMON (NOT SERVICED) (SEE BREAKDOWN FOR COMPONENTS) |
| 4 | 502496D1 | - | BREATHER GP-POWERTRAIN (NOT SERVICED) (SEE BREAKDOWN FOR COMPONENTS) |

NOTIF
PR: t05b22n43d0001

MT800B SERIES TRACTORS
MACHINE ARRANGEMENT

BASE UNIT AR-MT845B - 501589D1
ROW

NO ILLUSTRATION

NOTIF

**MT800B SERIES TRACTORS
MACHINE ARRANGEMENT**

49

**BASE UNIT AR-MT845B - 501589D1
ROW**

| ITEM | NUMBER | QTY | DESCRIPTION |
|------|----------|-----|---|
| - | 501589D1 | - | BASE UNIT AR-MT845B (NOT SERVICED) |
| 1 | 501616D1 | 1 | FILM GP (MT845B) (NOT SERVICED) (SEE BREAKDOWN FOR COMPONENTS) |
| 2 | 501584D1 | 1 | INSTALLATION AR-ENGINE (NOT SERVICED) (SEE BREAKDOWN FOR COMPONENTS) |
| 3 | 501810D1 | - | BASE AR-COMMON (NOT SERVICED) (SEE BREAKDOWN FOR COMPONENTS) |
| 4 | 502496D1 | - | BREATHER GP-POWERTRAIN (NOT SERVICED) (SEE BREAKDOWN FOR COMPONENTS) |

NOTIF
PR: t05b22n43d0002

MT800B SERIES TRACTORS
MACHINE ARRANGEMENT

BASE UNIT AR-MT855B - 501590D1
ROW

NO ILLUSTRATION

NOTIF

**MT800B SERIES TRACTORS
MACHINE ARRANGEMENT**

51

**BASE UNIT AR-MT855B - 501590D1
ROW**

| ITEM | NUMBER | QTY | DESCRIPTION |
|------|----------|-----|---|
| - | 501590D1 | - | BASE UNIT AR-MT855B (NOT SERVICED) |
| 1 | 501617D1 | 1 | FILM GP (MT855B) (NOT SERVICED) (SEE BREAKDOWN FOR COMPONENTS) |
| 2 | 501585D1 | 1 | INSTALLATION AR-ENGINE (NOT SERVICED) (SEE BREAKDOWN FOR COMPONENTS) |
| 3 | 501810D1 | - | BASE AR-COMMON (NOT SERVICED) (SEE BREAKDOWN FOR COMPONENTS) |
| 4 | 502496D1 | - | BREATHER GP-POWERTRAIN (NOT SERVICED) (SEE BREAKDOWN FOR COMPONENTS) |

NOTIF
PR: t05b22n43d0003

MT800B SERIES TRACTORS
MACHINE ARRANGEMENT

BASE UNIT AR-MT865B - 501591D1
ROW

NO ILLUSTRATION

NOTIF

**MT800B SERIES TRACTORS
MACHINE ARRANGEMENT**

53

**BASE UNIT AR-MT865B - 501591D1
ROW**

| ITEM | NUMBER | QTY | DESCRIPTION |
|------|----------|-----|---|
| - | 501591D1 | - | BASE UNIT AR-MT865B (NOT SERVICED) |
| 1 | 501618D1 | 1 | FILM GP (MT865B) (NOT SERVICED) (SEE BREAKDOWN FOR COMPONENTS) |
| 2 | 501586D1 | 1 | INSTALLATION AR-ENGINE (NOT SERVICED) (SEE BREAKDOWN FOR COMPONENTS) |
| 3 | 501810D1 | - | BASE AR-COMMON (NOT SERVICED) (SEE BREAKDOWN FOR COMPONENTS) |
| 4 | 502496D1 | - | BREATHER GP-POWERTRAIN (NOT SERVICED) (SEE BREAKDOWN FOR COMPONENTS) |
| 5 | 197-8558 | - | TANK AR-FUEL (SEE BREAKDOWN FOR COMPONENTS) |

NOTIF
PR: t05b22n43d0004

MT800B SERIES TRACTORS
MACHINE ARRANGEMENT

BASE UNIT AR-MT875B - 501592D1
ROW

NO ILLUSTRATION

NOTIF

**MT800B SERIES TRACTORS
MACHINE ARRANGEMENT**

55

**BASE UNIT AR-MT875B - 501592D1
ROW**

| ITEM | NUMBER | QTY | DESCRIPTION |
|------|----------|-----|---|
| - | 501592D1 | - | BASE UNIT AR-MT875B (NOT SERVICED) |
| 1 | 501619D1 | 1 | FILM GP (MT875B) (NOT SERVICED) (SEE BREAKDOWN FOR COMPONENTS) |
| 2 | 501587D1 | 1 | INSTALLATION AR-ENGINE (NOT SERVICED) (SEE BREAKDOWN FOR COMPONENTS) |
| 3 | 501810D1 | - | BASE AR-COMMON (NOT SERVICED) (SEE BREAKDOWN FOR COMPONENTS) |
| 4 | 502496D1 | - | BREATHER GP-POWERTRAIN (NOT SERVICED) (SEE BREAKDOWN FOR COMPONENTS) |
| 5 | 197-8558 | - | TANK AR-FUEL (SEE BREAKDOWN FOR COMPONENTS) |

NOTIF
PR: t05b22n43d0005

MT800B SERIES TRACTORS
MACHINE ARRANGEMENT

BASE UNIT AR-MT835B - 501593D1
EAME

NO ILLUSTRATION

NOTIF

**MT800B SERIES TRACTORS
MACHINE ARRANGEMENT**

57

**BASE UNIT AR-MT835B - 501593D1
EAME**

| ITEM | NUMBER | QTY | DESCRIPTION |
|------|----------|-----|---|
| - | 501593D1 | - | BASE UNIT AR-MT835B (NOT SERVICED) |
| 1 | 501615D1 | 1 | FILM GP (MT835B) (NOT SERVICED) (SEE BREAKDOWN FOR COMPONENTS) |
| 2 | 501583D1 | 1 | INSTALLATION AR-ENGINE (NOT SERVICED) (SEE BREAKDOWN FOR COMPONENTS) |
| 3 | 501811D1 | - | BASE AR-COMMON (NOT SERVICED) (SEE BREAKDOWN FOR COMPONENTS) |
| 4 | 502496D1 | - | BREATHER GP-POWERTRAIN (NOT SERVICED) (SEE BREAKDOWN FOR COMPONENTS) |
| 5 | 136-5663 | - | BATTERY GP (NOT SERVICED) (SEE BREAKDOWN FOR COMPONENTS) |

NOTIF
PR: t05b22n43d0006

MT800B SERIES TRACTORS
MACHINE ARRANGEMENT

BASE UNIT AR-MT845B - 501594D1
EAME

NO ILLUSTRATION

NOTIF

**MT800B SERIES TRACTORS
MACHINE ARRANGEMENT**

59

**BASE UNIT AR-MT845B - 501594D1
EAME**

| ITEM | NUMBER | QTY | DESCRIPTION |
|------|----------|-----|---|
| - | 501594D1 | - | BASE UNIT AR-MT845B (NOT SERVICED) |
| 1 | 501616D1 | 1 | FILM GP (MT845B) (NOT SERVICED) (SEE BREAKDOWN FOR COMPONENTS) |
| 2 | 501584D1 | 1 | INSTALLATION AR-ENGINE (NOT SERVICED) (SEE BREAKDOWN FOR COMPONENTS) |
| 3 | 501811D1 | - | BASE AR-COMMON (NOT SERVICED) (SEE BREAKDOWN FOR COMPONENTS) |
| 4 | 502496D1 | - | BREATHER GP-POWERTRAIN (NOT SERVICED) (SEE BREAKDOWN FOR COMPONENTS) |
| 5 | 136-5663 | - | BATTERY GP (NOT SERVICED) (SEE BREAKDOWN FOR COMPONENTS) |

NOTIF
PR: t05b22n43d0007

60

MT800B SERIES TRACTORS
MACHINE ARRANGEMENT

BASE UNIT AR-MT855B - 501595D1
EAME

NO ILLUSTRATION

NOTIF

**MT800B SERIES TRACTORS
MACHINE ARRANGEMENT**

61

**BASE UNIT AR-MT855B - 501595D1
EAME**

| ITEM | NUMBER | QTY | DESCRIPTION |
|------|----------|-----|---|
| - | 501595D1 | - | BASE UNIT AR-MT855B (NOT SERVICED) |
| 1 | 501617D1 | 1 | FILM GP (MT855B) (NOT SERVICED) (SEE BREAKDOWN FOR COMPONENTS) |
| 2 | 501585D1 | 1 | INSTALLATION AR-ENGINE (NOT SERVICED) (SEE BREAKDOWN FOR COMPONENTS) |
| 3 | 501811D1 | - | BASE AR-COMMON (NOT SERVICED) (SEE BREAKDOWN FOR COMPONENTS) |
| 4 | 502496D1 | - | BREATHER GP-POWERTRAIN (NOT SERVICED) (SEE BREAKDOWN FOR COMPONENTS) |
| 5 | 136-5663 | - | BATTERY GP (NOT SERVICED) (SEE BREAKDOWN FOR COMPONENTS) |

NOTIF
PR: t05b22n43d0008

62

MT800B SERIES TRACTORS
MACHINE ARRANGEMENT

BASE UNIT AR-MT865B - 501596D1
EAME

NO ILLUSTRATION

NOTIF

**MT800B SERIES TRACTORS
MACHINE ARRANGEMENT**

63

**BASE UNIT AR-MT865B - 501596D1
EAME**

| ITEM | NUMBER | QTY | DESCRIPTION |
|------|----------|-----|---|
| - | 501596D1 | - | BASE UNIT AR-MT865B (NOT SERVICED) |
| 1 | 501618D1 | 1 | FILM GP (MT865B) (NOT SERVICED) (SEE BREAKDOWN FOR COMPONENTS) |
| 2 | 501586D1 | 1 | INSTALLATION AR-ENGINE (NOT SERVICED) (SEE BREAKDOWN FOR COMPONENTS) |
| 3 | 501811D1 | - | BASE AR-COMMON (NOT SERVICED) (SEE BREAKDOWN FOR COMPONENTS) |
| 4 | 502496D1 | - | BREATHER GP-POWERTRAIN (NOT SERVICED) (SEE BREAKDOWN FOR COMPONENTS) |
| 5 | 136-5663 | - | BATTERY GP (NOT SERVICED) (SEE BREAKDOWN FOR COMPONENTS) |
| 6 | 197-8558 | - | TANK AR-FUEL (SEE BREAKDOWN FOR COMPONENTS) |

NOTIF
PR: t05b22n43d0009

MT800B SERIES TRACTORS
MACHINE ARRANGEMENT

BASE UNIT AR-MT875B - 501597D1
EAME

NO ILLUSTRATION

NOTIF

**MT800B SERIES TRACTORS
MACHINE ARRANGEMENT**

65

**BASE UNIT AR-MT875B - 501597D1
EAME**

| ITEM | NUMBER | QTY | DESCRIPTION |
|------|----------|-----|---|
| - | 501597D1 | - | BASE UNIT AR-MT875B (NOT SERVICED) |
| 1 | 501619D1 | 1 | FILM GP (MT875B) (NOT SERVICED) (SEE BREAKDOWN FOR COMPONENTS) |
| 2 | 501587D1 | 1 | INSTALLATION AR-ENGINE (NOT SERVICED) (SEE BREAKDOWN FOR COMPONENTS) |
| 3 | 501811D1 | - | BASE AR-COMMON (NOT SERVICED) (SEE BREAKDOWN FOR COMPONENTS) |
| 4 | 502496D1 | - | BREATHER GP-POWERTRAIN (NOT SERVICED) (SEE BREAKDOWN FOR COMPONENTS) |
| 5 | 136-5663 | - | BATTERY GP (NOT SERVICED) (SEE BREAKDOWN FOR COMPONENTS) |
| 6 | 197-8558 | - | TANK AR-FUEL (SEE BREAKDOWN FOR COMPONENTS) |

NOTIF
PR: t05b22n43d0010

MT800B SERIES TRACTORS
MACHINE ARRANGEMENT

BASE UNIT AR-MT835B - 501605D1
SPECIAL APPLICATIONS

NO ILLUSTRATION

NOTIF

**MT800B SERIES TRACTORS
MACHINE ARRANGEMENT**

67

**BASE UNIT AR-MT835B - 501605D1
SPECIAL APPLICATIONS**

| ITEM | NUMBER | QTY | DESCRIPTION |
|------|----------|-----|--|
| - | 501605D1 | - | BASE UNIT AR-MT835B SPECIAL (NOT SERVICED) |
| 1 | 501588D1 | 1 | BASE UNIT AR-MT835B (NOT SERVICED) (SEE BREAKDOWN FOR COMPONENTS) |
| 2 | 220-2356 | 1 | WHEEL AR-IDLER (NOT SERVICED) (SEE BREAKDOWN FOR COMPONENTS) |
| 3 | 156-4893 | 1 | ROLLER AR (NOT SERVICED) (SEE BREAKDOWN FOR COMPONENTS) |
| 4 | 220-2358 | 1 | WHEEL AR-DRIVER (NOT SERVICED) (SEE BREAKDOWN FOR COMPONENTS) |
| 5 | 184-5357 | 1 | COUNTERWEIGHT GP-FRONT (NOT SERVICED) (SEE BREAKDOWN FOR COMPONENTS) |
| 6 | 179-0853 | 1 | HITCH AR-NON AG (NOT SERVICED) (SEE BREAKDOWN FOR COMPONENTS) |
| 7 | 180-0185 | 1 | PUMP AR-HYD (NOT SERVICED) (SEE BREAKDOWN FOR COMPONENTS) |
| 8 | 500039D1 | 1 | CABLE GP-TOW (NOT SERVICED) (SEE BREAKDOWN FOR COMPONENTS) |
| 9 | 500040D1 | 1 | RESTRAIN GP-ROLLERFRAME (NOT SERVICED) (SEE BREAKDOWN FOR COMPONENTS) |
| 10 | 216-9823 | 1 | LIGHTING GP-WARNING (NOT SERVICED) (SEE BREAKDOWN FOR COMPONENTS) |
| 11 | 195-5968 | 1 | WARNING GP-BACKUP (NOT SERVICED) (SEE BREAKDOWN FOR COMPONENTS) |
| 12 | 222-7965 | 1 | MOUNTING GP (MONITOR) (NOT SERVICED) (SEE BREAKDOWN FOR COMPONENTS) |
| 13 | 203-5999 | 1 | PLUG GP (NOT SERVICED) |
| | 400091X1 | 16 | PLUG-PLASTIC (M24) |

NOTIF
PR: t05b22n43d0011

MT800B SERIES TRACTORS
MACHINE ARRANGEMENT

BASE UNIT AR-MT845B - 501606D1
SPECIAL APPLICATIONS

NO ILLUSTRATION

NOTIF

**MT800B SERIES TRACTORS
MACHINE ARRANGEMENT**

69

**BASE UNIT AR-MT845B - 501606D1
SPECIAL APPLICATIONS**

| ITEM | NUMBER | QTY | DESCRIPTION |
|------|----------|-----|--|
| - | 501606D1 | - | BASE UNIT AR-MT845B SPECIAL (NOT SERVICED) |
| 1 | 501589D1 | 1 | BASE UNIT AR-MT845B (NOT SERVICED) (SEE BREAKDOWN FOR COMPONENTS) |
| 2 | 220-2356 | 1 | WHEEL AR-IDLER (NOT SERVICED) (SEE BREAKDOWN FOR COMPONENTS) |
| 3 | 156-4893 | 1 | ROLLER AR (NOT SERVICED) (SEE BREAKDOWN FOR COMPONENTS) |
| 4 | 220-2358 | 1 | WHEEL AR-DRIVER (NOT SERVICED) (SEE BREAKDOWN FOR COMPONENTS) |
| 5 | 184-5357 | 1 | COUNTERWEIGHT GP-FRONT (NOT SERVICED) (SEE BREAKDOWN FOR COMPONENTS) |
| 6 | 179-0853 | 1 | HITCH AR-NON AG (NOT SERVICED) (SEE BREAKDOWN FOR COMPONENTS) |
| 7 | 180-0185 | 1 | PUMP AR-HYD (NOT SERVICED) (SEE BREAKDOWN FOR COMPONENTS) |
| 8 | 500039D1 | 1 | CABLE GP-TOW (NOT SERVICED) (SEE BREAKDOWN FOR COMPONENTS) |
| 9 | 500040D1 | 1 | RESTRAIN GP-ROLLERFRAME (NOT SERVICED) (SEE BREAKDOWN FOR COMPONENTS) |
| 10 | 216-9823 | 1 | LIGHTING GP-WARNING (NOT SERVICED) (SEE BREAKDOWN FOR COMPONENTS) |
| 11 | 195-5968 | 1 | WARNING GP-BACKUP (NOT SERVICED) (SEE BREAKDOWN FOR COMPONENTS) |
| 12 | 222-7965 | 1 | MOUNTING GP (MONITOR) (NOT SERVICED) (SEE BREAKDOWN FOR COMPONENTS) |
| 13 | 203-5999 | 1 | PLUG GP (NOT SERVICED) |
| | 400091X1 | 16 | PLUG-PLASTIC (M24) |

NOTIF
PR: t05b22n43d0012

70

MT800B SERIES TRACTORS
MACHINE ARRANGEMENT

BASE UNIT AR-MT855B - 501607D1
SPECIAL APPLICATIONS

NO ILLUSTRATION

NOTIF

**MT800B SERIES TRACTORS
MACHINE ARRANGEMENT**

**BASE UNIT AR-MT855B - 501607D1
SPECIAL APPLICATIONS**

| ITEM | NUMBER | QTY | DESCRIPTION |
|------|----------|-----|--|
| - | 501607D1 | - | BASE UNIT AR-MT855B SPECIAL (NOT SERVICED) |
| 1 | 501590D1 | 1 | BASE UNIT AR-MT855B (NOT SERVICED) (SEE BREAKDOWN FOR COMPONENTS) |
| 2 | 220-2356 | 1 | WHEEL AR-IDLER (NOT SERVICED) (SEE BREAKDOWN FOR COMPONENTS) |
| 3 | 156-4893 | 1 | ROLLER AR (NOT SERVICED) (SEE BREAKDOWN FOR COMPONENTS) |
| 4 | 220-2358 | 1 | WHEEL AR-DRIVER (NOT SERVICED) (SEE BREAKDOWN FOR COMPONENTS) |
| 5 | 184-5357 | 1 | COUNTERWEIGHT GP-FRONT (NOT SERVICED) (SEE BREAKDOWN FOR COMPONENTS) |
| 6 | 179-0853 | 1 | HITCH AR-NON AG (NOT SERVICED) (SEE BREAKDOWN FOR COMPONENTS) |
| 7 | 180-0185 | 1 | PUMP AR-HYD (NOT SERVICED) (SEE BREAKDOWN FOR COMPONENTS) |
| 8 | 500039D1 | 1 | CABLE GP-TOW (NOT SERVICED) (SEE BREAKDOWN FOR COMPONENTS) |
| 9 | 500040D1 | 1 | RESTRAIN GP-ROLLERFRAME (NOT SERVICED) (SEE BREAKDOWN FOR COMPONENTS) |
| 10 | 216-9823 | 1 | LIGHTING GP-WARNING (NOT SERVICED) (SEE BREAKDOWN FOR COMPONENTS) |
| 11 | 195-5968 | 1 | WARNING GP-BACKUP (NOT SERVICED) (SEE BREAKDOWN FOR COMPONENTS) |
| 12 | 222-7965 | 1 | MOUNTING GP (MONITOR) (NOT SERVICED) (SEE BREAKDOWN FOR COMPONENTS) |
| 13 | 203-5999 | 1 | PLUG GP (NOT SERVICED) |
| | 400091X1 | 16 | PLUG-PLASTIC (M24) |

NOTIF
PR: t05b22n43d0013

MT800B SERIES TRACTORS
MACHINE ARRANGEMENT

BASE UNIT AR-MT865B - 501608D1
SPECIAL APPLICATIONS

NO ILLUSTRATION

NOTIF

**MT800B SERIES TRACTORS
MACHINE ARRANGEMENT**

73

**BASE UNIT AR-MT865B - 501608D1
SPECIAL APPLICATIONS**

| ITEM | NUMBER | QTY | DESCRIPTION |
|------|----------|-----|--|
| - | 501608D1 | - | BASE UNIT AR-MT865B SPECIAL (NOT SERVICED) |
| 1 | 501591D1 | 1 | BASE UNIT AR-MT865B (NOT SERVICED) (SEE BREAKDOWN FOR COMPONENTS) |
| 2 | 220-2356 | 1 | WHEEL AR-IDLER (NOT SERVICED) (SEE BREAKDOWN FOR COMPONENTS) |
| 3 | 156-4893 | 1 | ROLLER AR (NOT SERVICED) (SEE BREAKDOWN FOR COMPONENTS) |
| 4 | 220-2358 | 1 | WHEEL AR-DRIVER (NOT SERVICED) (SEE BREAKDOWN FOR COMPONENTS) |
| 5 | 184-5357 | 1 | COUNTERWEIGHT GP-FRONT (NOT SERVICED) (SEE BREAKDOWN FOR COMPONENTS) |
| 6 | 179-0853 | 1 | HITCH AR-NON AG (NOT SERVICED) (SEE BREAKDOWN FOR COMPONENTS) |
| 7 | 180-0185 | 1 | PUMP AR-HYD (NOT SERVICED) (SEE BREAKDOWN FOR COMPONENTS) |
| 8 | 500039D1 | 1 | CABLE GP-TOW (NOT SERVICED) (SEE BREAKDOWN FOR COMPONENTS) |
| 9 | 500040D1 | 1 | RESTRAIN GP-ROLLERFRAME (NOT SERVICED) (SEE BREAKDOWN FOR COMPONENTS) |
| 10 | 216-9823 | 1 | LIGHTING GP-WARNING (NOT SERVICED) (SEE BREAKDOWN FOR COMPONENTS) |
| 11 | 195-5968 | 1 | WARNING GP-BACKUP (NOT SERVICED) (SEE BREAKDOWN FOR COMPONENTS) |
| 12 | 222-7965 | 1 | MOUNTING GP (MONITOR) (NOT SERVICED) (SEE BREAKDOWN FOR COMPONENTS) |
| 13 | 203-5999 | 1 | PLUG GP (NOT SERVICED) |
| | 400091X1 | 16 | PLUG-PLASTIC (M24) |

NOTIF
PR: t05b22n43d0014

MT800B SERIES TRACTORS
MACHINE ARRANGEMENT

BASE UNIT AR-MT875B - 501609D1
SPECIAL APPLICATIONS

NO ILLUSTRATION

NOTIF

**MT800B SERIES TRACTORS
MACHINE ARRANGEMENT**

75

**BASE UNIT AR-MT875B - 501609D1
SPECIAL APPLICATIONS**

| ITEM | NUMBER | QTY | DESCRIPTION |
|------|----------|-----|--|
| - | 501609D1 | - | BASE UNIT AR-MT875B SPECIAL (NOT SERVICED) |
| | 501592D1 | 1 | BASE UNIT AR-MT875B (NOT SERVICED) (SEE BREAKDOWN FOR COMPONENTS) |
| | 220-2356 | 1 | WHEEL AR-IDLER (NOT SERVICED) (SEE BREAKDOWN FOR COMPONENTS) |
| | 156-4893 | 1 | ROLLER AR (NOT SERVICED) (SEE BREAKDOWN FOR COMPONENTS) |
| | 220-2358 | 1 | WHEEL AR-DRIVER (NOT SERVICED) (SEE BREAKDOWN FOR COMPONENTS) |
| | 184-5357 | 1 | COUNTERWEIGHT GP-FRONT (NOT SERVICED) (SEE BREAKDOWN FOR COMPONENTS) |
| | 179-0853 | 1 | HITCH AR-NON AG (NOT SERVICED) (SEE BREAKDOWN FOR COMPONENTS) |
| | 180-0185 | 1 | PUMP AR-HYD (NOT SERVICED) (SEE BREAKDOWN FOR COMPONENTS) |
| | 500039D1 | 1 | CABLE GP-TOW (NOT SERVICED) (SEE BREAKDOWN FOR COMPONENTS) |
| | 500040D1 | 1 | RESTRAIN GP-ROLLERFRAME (NOT SERVICED) (SEE BREAKDOWN FOR COMPONENTS) |
| | 216-9823 | 1 | LIGHTING GP-WARNING (NOT SERVICED) (SEE BREAKDOWN FOR COMPONENTS) |
| | 195-5968 | 1 | WARNING GP-BACKUP (NOT SERVICED) (SEE BREAKDOWN FOR COMPONENTS) |
| | 222-7965 | 1 | MOUNTING GP (MONITOR) (NOT SERVICED) (SEE BREAKDOWN FOR COMPONENTS) |
| | 203-5999 | 1 | PLUG GP (NOT SERVICED) |
| | 400091X1 | 16 | PLUG-PLASTIC (M24) |

NOTIF
PR: t05b22n43d0015

76

MT800B SERIES TRACTORS
MACHINE ARRANGEMENT

BASE COMMON AR - 501810D1
ROW & SPECIAL ONLY

NO ILLUSTRATION

NOTIF

**MT800B SERIES TRACTORS
MACHINE ARRANGEMENT**

77

**BASE COMMON AR - 501810D1
ROW & SPECIAL ONLY**

| ITEM | NUMBER | QTY | DESCRIPTION |
|------|----------|-----|--|
| - | 501810D1 | - | BASE COMMON AR [A] (NOT SERVICED) |
| 1 | 136-5665 | 1 | LIGHTING GP-SIGNAL (CAT) (NOT SERVICED) (SEE BREAKDOWN FOR COMPONENTS) |
| 2 | 136-5668 | 1 | WIRING GP-VEHICLE (NOT SERVICED) (SEE BREAKDOWN FOR COMPONENTS) |
| 3 | 502647D1 | 1 | HOOD GP-GUARD (NOT SERVICED) (SEE BREAKDOWN FOR COMPONENTS) |
| 4 | 501809D1 | 1 | HYD AR-COMMON (NOT SERVICED) (SEE BREAKDOWN FOR COMPONENTS) |
| 5 | 161-9174 | 1 | FENDER GP (CAT) (NOT SERVICED) (SEE BREAKDOWN FOR COMPONENTS) |
| 6 | 163-0386 | 1 | LINES GP-SERV BRAKE (A) (NOT SERVICED) (SEE BREAKDOWN FOR COMPONENTS) |
| 7 | 172-8886 | 1 | WARNING GP-SMV (NOT SERVICED) (SEE BREAKDOWN FOR COMPONENTS) |
| 8 | 179-1953 | 1 | CHASSIS AR-COM (NOT SERVICED) (SEE BREAKDOWN FOR COMPONENTS) |
| 9 | 179-2185 | 1 | FILM GP-PAINT & (NOT SERVICED) (SEE BREAKDOWN FOR COMPONENTS) |
| 10 | 183-6384 | 1 | WALKWAY GP (NOT SERVICED) (SEE BREAKDOWN FOR COMPONENTS) |
| 11 | 502456D1 | 1 | CONTROL GP-PARKING BRAKE (NOT SERVICED) (SEE BREAKDOWN FOR COMPONENTS) |
| 12 | 193-1547 | 1 | LINES GP-SERV BRAKE (A) (NOT SERVICED) (SEE BREAKDOWN FOR COMPONENTS) |
| 13 | 200-4400 | 1 | CONTROL GP-BRAKE(A) (NOT SERVICED) (SEE BREAKDOWN FOR COMPONENTS) |
| 14 | 210-7510 | 1 | BRAKE GP-PARKING (J) (NOT SERVICED) (SEE BREAKDOWN FOR COMPONENTS) |
| 15 | 163-0384 | 1 | SHAFT GP-INPUT (NOT SERVICED) (SEE BREAKDOWN FOR COMPONENTS) |

[A] PART OF 501588D1;501589D1;501590D1;
501591D1; 501592D1 BASE UNIT AR

NOTIF
PR: t05b22n43d0016

78

MT800B SERIES TRACTORS
MACHINE ARRANGEMENT

BASE COMMON AR - 501811D1
EAME ONLY

NO ILLUSTRATION

NOTIF

**MT800B SERIES TRACTORS
MACHINE ARRANGEMENT**

79

**BASE COMMON AR - 501811D1
EAME ONLY**

| ITEM | NUMBER | QTY | DESCRIPTION |
|------|------------|-----|--|
| - | 501811D1 | - | BASE COMMON AR [A] |
| 1 | 136-5429 | 1 | LIGHTING GP-SIGNAL (NOT SERVICED) (SEE BREAKDOWN FOR COMPONENTS) |
| 2 | 136-5669 | 1 | WIRING GP-VEHICLE (NOT SERVICED) (SEE BREAKDOWN FOR COMPONENTS) |
| 3 | 158-5925 | 1 | MOUNTING GP-BODY (NOT SERVICED) (SEE BREAKDOWN FOR COMPONENTS) |
| 4 | 161-9177 | 1 | FENDER GP (EAME) (NOT SERVICED) (SEE BREAKDOWN FOR COMPONENTS) |
| 5 | 166-4623 | 1 | CONTROL GP MOUNTING & (NOT SERVICED) (SEE BREAKDOWN FOR COMPONENTS) |
| 6 | 179-1953 | 1 | CHASSIS AR-COM (NOT SERVICED) (SEE BREAKDOWN FOR COMPONENTS) |
| 7 | 179-2261 | 1 | FILM GP-PAINT & (NOT SERVICED) (SEE BREAKDOWN FOR COMPONENTS) |
| 8 | 183-6384 | 1 | WALKWAY GP (NOT SERVICED) (SEE BREAKDOWN FOR COMPONENTS) |
| 9 | 185-8787 | 1 | LINES GP-SERV BRAKE(B) (NOT SERVICED) (SEE BREAKDOWN FOR COMPONENTS) |
| 10 | 186-2427 | 1 | EXTENSION GP-FENDER (NOT SERVICED) (SEE BREAKDOWN FOR COMPONENTS) |
| 11 | 187-8609 | 1 | GUARD GP (NOT SERVICED) (SEE BREAKDOWN FOR COMPONENTS) |
| 12 | 192-6350 | 1 | CONTROL GP-PARKING BRAKE (NOT SERVICED) (SEE BREAKDOWN FOR COMPONENTS) |
| 13 | 192-6360 | 1 | CONTROL GP-BRAKE (Q) (NOT SERVICED) (SEE BREAKDOWN FOR COMPONENTS) |
| 14 | 193-1547 | 1 | LINES GP-SERV BRAKE (A) (NOT SERVICED) (SEE BREAKDOWN FOR COMPONENTS) |
| 15 | 200-4320 | 1 | SUPPORT GP-LINES (NOT SERVICED) (SEE BREAKDOWN FOR COMPONENTS) |
| 16 | 200-4400 | 1 | CONTROL GP-BRAKE(A) (NOT SERVICED) (SEE BREAKDOWN FOR COMPONENTS) |
| 17 | 208-3021 | 1 | GUARD GP-AXLE (NOT SERVICED) (SEE BREAKDOWN FOR COMPONENTS) |
| 18 | 221-8534 | 1 | HANDRAIL GP (NOT SERVICED) (SEE BREAKDOWN FOR COMPONENTS) |
| 19 | 501809D1 | 1 | HYD AR-COMMON (NOT SERVICED) (SEE BREAKDOWN FOR COMPONENTS) |
| 20 | 502055D1 | 1 | ENCLOSURE GP (NOT SERVICED) (SEE BREAKDOWN FOR COMPONENTS) |
| 21 | 502353D1 | 1 | HOOD GP-GUARD (NOT SERVICED) (SEE BREAKDOWN FOR COMPONENTS) |
| 22 | CH163-0397 | 1 | DRAIN GP (ECOLOGY) (NOT SERVICED) (SEE BREAKDOWN FOR COMPONENTS) |

[A] PART OF 501593D1;501594D1;501595D1;
501596D1; 501597D1 BASE UNIT AR

NOTIF
PR: t05b22n43d0017

INSTALLATION AR - MT835B
501583D1

NO ILLUSTRATION

NOTIF

**MT800B SERIES TRACTORS
ENGINE INSTALLATION ARRANGEMENT**

81

**INSTALLATION AR - MT835B
501583D1**

| ITEM | NUMBER | QTY | DESCRIPTION |
|------|----------|-----|---|
| - | 501583D1 | - | INSTALLATION AR [A] (MT835B) (NOT SERVICED) |
| 1 | 501582D1 | 1 | LINES GP-FUEL (NOT SERVICED) (SEE BREAKDOWN FOR COMPONENTS) |
| 2 | 197-4849 | 1 | LINES GP- DUST EJECTOR (NOT SERVICED) (SEE BREAKDOWN FOR COMPONENTS) |
| 3 | 180-2924 | 1 | MOTOR GP-ELECTRIC (NOT SERVICED) (SEE BREAKDOWN FOR COMPONENTS) |
| 4 | 501573D1 | 1 | MOUNTING GP-ALTERNATOR (NOT SERVICED) (SEE BREAKDOWN FOR COMPONENTS) |
| 5 | 206-6397 | 1 | FAN GP-ENGINE (NOT SERVICED) (SEE BREAKDOWN FOR COMPONENTS) |
| 6 | 502352D1 | 1 | FILTER GP-WATER (NOT SERVICED) (SEE BREAKDOWN FOR COMPONENTS) |
| 7 | 502558D1 | 1 | TANK GP-EXP & COOLANT (NOT SERVICED) (SEE BREAKDOWN FOR COMPONENTS) |
| 8 | 500920D1 | 1 | COOLER GP-MTG & (NOT SERVICED) (SEE BREAKDOWN FOR COMPONENTS) |
| 9 | 187-1792 | 1 | MOUNTING GP-COMPRESSOR (NOT SERVICED) (SEE BREAKDOWN FOR COMPONENTS) |
| 10 | 187-1791 | 1 | DRIVE GP-ACCESSORY (NOT SERVICED) (SEE BREAKDOWN FOR COMPONENTS) |
| 11 | 501572D1 | 1 | AID GP-ETHER STARTING (SEE BREAKDOWN FOR COMPONENTS) |
| 12 | 185-2240 | 1 | PULLEY GP (NOT SERVICED) (SEE BREAKDOWN FOR COMPONENTS) |
| 13 | 501676D1 | 1 | ENGINE AS-COMPL (361HP) (ORDER COMPONENTS THRU CAT ENG DIV.) |
| 14 | 502557D1 | 1 | LINES GP-COOLANT (NOT SERVICED) (SEE BREAKDOWN FOR COMPONENTS) |
| 15 | 501579D1 | 1 | LINES GP-A/C (NOT SERVICED) (SEE BREAKDOWN FOR COMPONENTS) |
| 16 | 500964D1 | 1 | LINES GP-AIR (NOT SERVICED) (SEE BREAKDOWN FOR COMPONENTS) |
| 17 | 172-5337 | 1 | CLEANER GP-AIR (A) (NOT SERVICED) (SEE BREAKDOWN FOR COMPONENTS) |
| 18 | 172-5335 | 1 | MUFFLER GP (NOT SERVICED) (SEE BREAKDOWN FOR COMPONENTS) |
| 18 | 501577D1 | 1 | MUFFLER GP (NOT SERVICED) (SEE BREAKDOWN FOR COMPONENTS) |
| 19 | 172-5333 | 1 | MOUNTING GP-ENGINE (NOT SERVICED) (SEE BREAKDOWN FOR COMPONENTS) |
| 20 | 163-0384 | 1 | SHAFT GP-INPUT (NOT SERVICED) (SEE BREAKDOWN FOR COMPONENTS) |

[A] PART OF 501588D1; 501593D1
BASE UNIT AR

NOTIF
PR: t05b22n43d0018

INSTALLATION AR - MT845B
501584D1

NO ILLUSTRATION

NOTIF

**MT800B SERIES TRACTORS
ENGINE INSTALLATION ARRANGEMENT**

83

**INSTALLATION AR - MT845B
501584D1**

| ITEM | NUMBER | QTY | DESCRIPTION |
|------|----------|-----|---|
| - | 501584D1 | - | INSTALLATION AR [A] (MT845B) (NOT SERVICED) |
| 1 | 501582D1 | 1 | LINES GP-FUEL (NOT SERVICED) (SEE BREAKDOWN FOR COMPONENTS) |
| 2 | 197-4849 | 1 | LINES GP- DUST EJECTOR (NOT SERVICED) (SEE BREAKDOWN FOR COMPONENTS) |
| 3 | 180-2924 | 1 | MOTOR GP-ELECTRIC (NOT SERVICED) (SEE BREAKDOWN FOR COMPONENTS) |
| 4 | 501573D1 | 1 | MOUNTING GP-ALTERNATOR (NOT SERVICED) (SEE BREAKDOWN FOR COMPONENTS) |
| 5 | 206-6397 | 1 | FAN GP-ENGINE (NOT SERVICED) (SEE BREAKDOWN FOR COMPONENTS) |
| 6 | 502352D1 | 1 | FILTER GP-WATER (NOT SERVICED) (SEE BREAKDOWN FOR COMPONENTS) |
| 7 | 502558D1 | 1 | TANK GP-EXP & COOLANT (NOT SERVICED) (SEE BREAKDOWN FOR COMPONENTS) |
| 8 | 500920D1 | 1 | COOLER GP-MTG & (NOT SERVICED) (SEE BREAKDOWN FOR COMPONENTS) |
| 9 | 187-1792 | 1 | MOUNTING GP-COMPRESSOR (NOT SERVICED) (SEE BREAKDOWN FOR COMPONENTS) |
| 10 | 187-1791 | 1 | DRIVE GP-ACCESSORY (NOT SERVICED) (SEE BREAKDOWN FOR COMPONENTS) |
| 11 | 501572D1 | 1 | AID GP-ETHER STARTING (SEE BREAKDOWN FOR COMPONENTS) |
| 12 | 185-2240 | 1 | PULLEY GP (NOT SERVICED) (SEE BREAKDOWN FOR COMPONENTS) |
| 13 | 501677D1 | 1 | ENGINE AS-COMPL (412 HP) (ORDER COMPONENTS THRU CAT ENG DIV.) |
| 14 | 502557D1 | 1 | LINES GP-COOLANT (NOT SERVICED) (SEE BREAKDOWN FOR COMPONENTS) |
| 15 | 501579D1 | 1 | LINES GP-A/C (NOT SERVICED) (SEE BREAKDOWN FOR COMPONENTS) |
| 16 | 500964D1 | 1 | LINES GP-AIR (NOT SERVICED) (SEE BREAKDOWN FOR COMPONENTS) |
| 17 | 172-5337 | 1 | CLEANER GP-AIR (A) (NOT SERVICED) (SEE BREAKDOWN FOR COMPONENTS) |
| 18 | 501577D1 | 1 | MUFFLER GP (NOT SERVICED) (SEE BREAKDOWN FOR COMPONENTS) |
| 19 | 172-5333 | 1 | MOUNTING GP-ENGINE (NOT SERVICED) (SEE BREAKDOWN FOR COMPONENTS) |
| 20 | 163-0384 | 1 | SHAFT GP-INPUT (NOT SERVICED) (SEE BREAKDOWN FOR COMPONENTS) |

[A] PART OF 501589D1; 501594D1
BASE UNIT AR

NOTIF
PR: t05b22n43d0019

INSTALLATION AR - MT855B
501585D1

NO ILLUSTRATION

NOTIF

**MT800B SERIES TRACTORS
ENGINE INSTALLATION ARRANGEMENT**

85

**INSTALLATION AR - MT855B
501585D1**

| ITEM | NUMBER | QTY | DESCRIPTION |
|------|----------|-----|---|
| - | 501585D1 | - | INSTALLATION AR [A] (MT855B) (NOT SERVICED) |
| 1 | 163-0384 | 1 | SHAFT GP-INPUT (NOT SERVICED) (SEE BREAKDOWN FOR COMPONENTS) |
| 2 | 172-5333 | 1 | MOUNTING GP-ENGINE (NOT SERVICED) (SEE BREAKDOWN FOR COMPONENTS) |
| 3 | 501577D1 | 1 | MUFFLER GP (NOT SERVICED) (SEE BREAKDOWN FOR COMPONENTS) |
| 4 | 501578D1 | 1 | CLEANER GP-AIR (A) (NOT SERVICED) (SEE BREAKDOWN FOR COMPONENTS) |
| 5 | 500963D1 | 1 | LINES GP-AIR (NOT SERVICED) (SEE BREAKDOWN FOR COMPONENTS) |
| 6 | 501579D1 | 1 | LINES GP-A/C (NOT SERVICED) (SEE BREAKDOWN FOR COMPONENTS) |
| 7 | 502557D1 | 1 | LINES GP-COOLANT (NOT SERVICED) (SEE BREAKDOWN FOR COMPONENTS) |
| 8 | 501678D1 | 1 | ENGINE AS-COMPL (474 HP) (ORDER COMPONENTS THRU CAT ENG DIV.) |
| 9 | 501582D1 | 1 | LINES GP-FUEL (NOT SERVICED) (SEE BREAKDOWN FOR COMPONENTS) |
| 10 | 180-2924 | 1 | MOTOR GP-ELECTRIC (NOT SERVICED) (SEE BREAKDOWN FOR COMPONENTS) |
| 11 | 502558D1 | 1 | TANK GP-EXP & COOLANT (NOT SERVICED) (SEE BREAKDOWN FOR COMPONENTS) |
| 12 | 185-2240 | 1 | PULLEY GP (NOT SERVICED) (SEE BREAKDOWN FOR COMPONENTS) |
| 13 | 501572D1 | 1 | AID GP-ETHER STARTING (SEE BREAKDOWN FOR COMPONENTS) |
| 14 | 187-1791 | 1 | DRIVE GP-ACCESSORY (NOT SERVICED) (SEE BREAKDOWN FOR COMPONENTS) |
| 15 | 187-1792 | 1 | MOUNTING GP-COMPRESSOR (NOT SERVICED) (SEE BREAKDOWN FOR COMPONENTS) |
| 16 | 500920D1 | 1 | COOLER GP-MTG & (NOT SERVICED) (SEE BREAKDOWN FOR COMPONENTS) |
| 17 | 501580D1 | 1 | LINES GP- DUST EJECTOR (NOT SERVICED) (SEE BREAKDOWN FOR COMPONENTS) |
| 18 | 502352D1 | 1 | FILTER GP-WATER (NOT SERVICED) (SEE BREAKDOWN FOR COMPONENTS) |
| 19 | 206-6397 | 1 | FAN GP-ENGINE (NOT SERVICED) (SEE BREAKDOWN FOR COMPONENTS) |
| 20 | 501573D1 | 1 | MOUNTING GP-ALTERNATOR (NOT SERVICED) (SEE BREAKDOWN FOR COMPONENTS) |

[A] PART OF 501590D1; 501595D1
BASE UNIT AR

NOTIF
PR: t05b22n43d0020

**MT800B SERIES TRACTORS
ENGINE INSTALLATION ARRANGEMENT**

INSTALLATION AR - MT865B
501586D1

NO ILLUSTRATION

NOTIF

**MT800B SERIES TRACTORS
ENGINE INSTALLATION ARRANGEMENT**

87

**INSTALLATION AR - MT865B
501586D1**

| ITEM | NUMBER | QTY | DESCRIPTION |
|------|----------|-----|---|
| - | 501586D1 | - | INSTALLATION AR [A] (MT865B) (NOT SERVICED) |
| 1 | 163-0384 | 1 | SHAFT GP-INPUT (NOT SERVICED) (SEE BREAKDOWN FOR COMPONENTS) |
| 2 | 172-5333 | 1 | MOUNTING GP-ENGINE (NOT SERVICED) (SEE BREAKDOWN FOR COMPONENTS) |
| 3 | 501577D1 | 1 | MUFFLER GP (NOT SERVICED) (SEE BREAKDOWN FOR COMPONENTS) |
| 4 | 501578D1 | 1 | CLEANER GP-AIR (A) (NOT SERVICED) (SEE BREAKDOWN FOR COMPONENTS) |
| 5 | 500963D1 | 1 | LINES GP-AIR (NOT SERVICED) (SEE BREAKDOWN FOR COMPONENTS) |
| 6 | 501579D1 | 1 | LINES GP-A/C (NOT SERVICED) (SEE BREAKDOWN FOR COMPONENTS) |
| 7 | 502557D1 | 1 | LINES GP-COOLANT (NOT SERVICED) (SEE BREAKDOWN FOR COMPONENTS) |
| 8 | 501679D1 | 1 | ENGINE AS-COMPL (525 HP) (ORDER COMPONENTS THRU CAT ENG DIV.) |
| 9 | 501582D1 | 1 | LINES GP-FUEL (NOT SERVICED) (SEE BREAKDOWN FOR COMPONENTS) |
| 10 | 180-2924 | 1 | MOTOR GP-ELECTRIC (NOT SERVICED) (SEE BREAKDOWN FOR COMPONENTS) |
| 11 | 502558D1 | 1 | TANK GP-EXP & COOLANT (NOT SERVICED) (SEE BREAKDOWN FOR COMPONENTS) |
| 12 | 185-2240 | 1 | PULLEY GP (NOT SERVICED) (SEE BREAKDOWN FOR COMPONENTS) |
| 13 | 501572D1 | 1 | AID GP-ETHER STARTING (SEE BREAKDOWN FOR COMPONENTS) |
| 14 | 187-1791 | 1 | DRIVE GP-ACCESSORY (NOT SERVICED) (SEE BREAKDOWN FOR COMPONENTS) |
| 15 | 187-1792 | 1 | MOUNTING GP-COMPRESSOR (NOT SERVICED) (SEE BREAKDOWN FOR COMPONENTS) |
| 16 | 500920D1 | 1 | COOLER GP-MTG & (NOT SERVICED) (SEE BREAKDOWN FOR COMPONENTS) |
| 17 | 501580D1 | 1 | LINES GP- DUST EJECTOR (NOT SERVICED) (SEE BREAKDOWN FOR COMPONENTS) |
| 18 | 502352D1 | 1 | FILTER GP-WATER (NOT SERVICED) (SEE BREAKDOWN FOR COMPONENTS) |
| 19 | 206-6397 | 1 | FAN GP-ENGINE (NOT SERVICED) (SEE BREAKDOWN FOR COMPONENTS) |
| 20 | 501573D1 | 1 | MOUNTING GP-ALTERNATOR (NOT SERVICED) (SEE BREAKDOWN FOR COMPONENTS) |

PART OF 501591D1; 501596D1 BASE UNIT AR

NOTIF
PR: t05b22n43d0021

INSTALLATION AR - MT875B
501587D1

NO ILLUSTRATION

NOTIF

**MT800B SERIES TRACTORS
ENGINE INSTALLATION ARRANGEMENT**

89

**INSTALLATION AR - MT875B
501587D1**

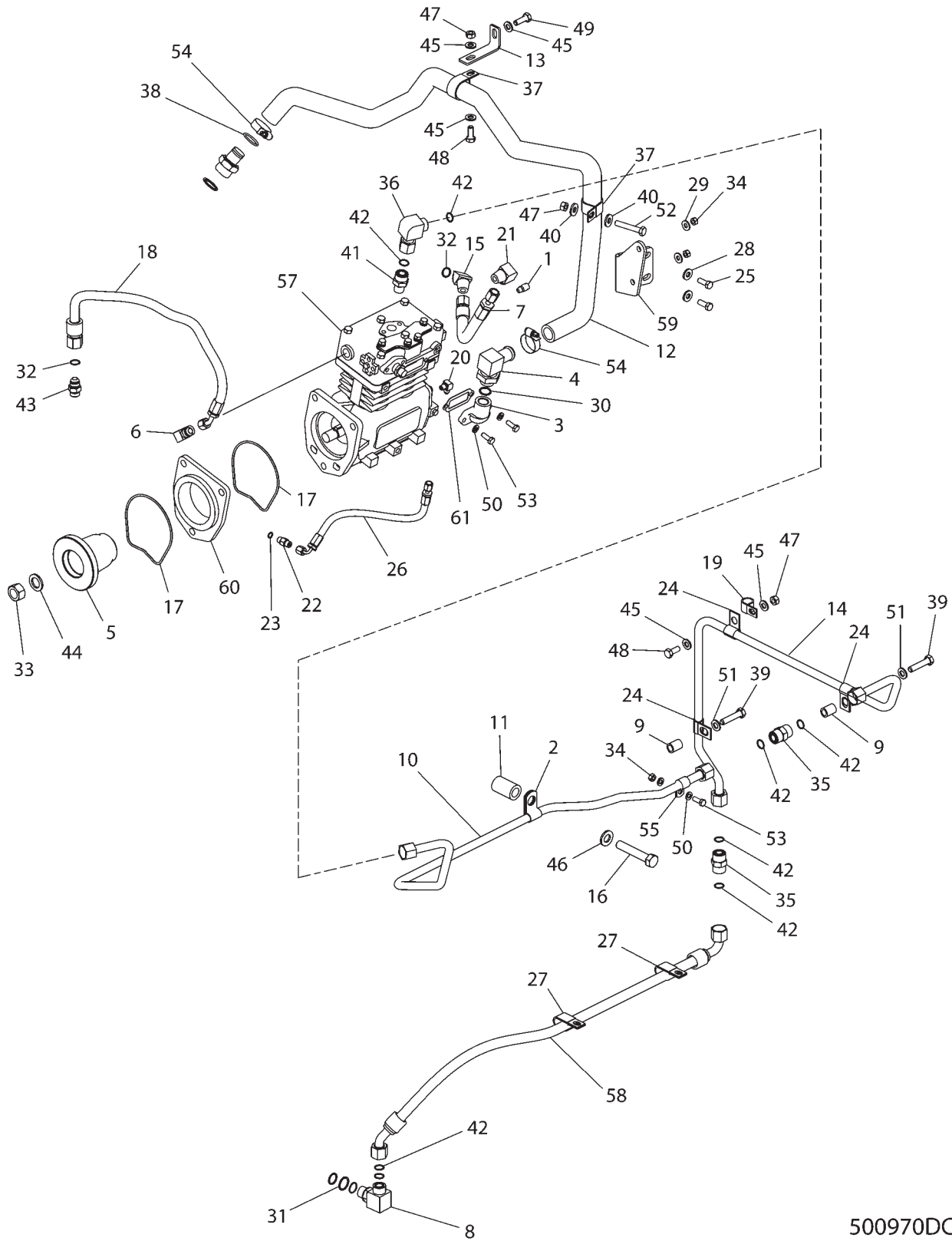
| ITEM | NUMBER | QTY | DESCRIPTION |
|------|----------|-----|---|
| - | 501587D1 | - | INSTALLATION AR [A] (MT875B) (NOT SERVICED) |
| 1 | 163-0384 | 1 | SHAFT GP-INPUT (NOT SERVICED) (SEE BREAKDOWN FOR COMPONENTS) |
| 2 | 172-5333 | 1 | MOUNTING GP-ENGINE (NOT SERVICED) (SEE BREAKDOWN FOR COMPONENTS) |
| 3 | 501577D1 | 1 | MUFFLER GP (NOT SERVICED) (SEE BREAKDOWN FOR COMPONENTS) |
| 4 | 501578D1 | 1 | CLEANER GP-AIR (A) (NOT SERVICED) (SEE BREAKDOWN FOR COMPONENTS) |
| 5 | 500963D1 | 1 | LINES GP-AIR (NOT SERVICED) (SEE BREAKDOWN FOR COMPONENTS) |
| 6 | 502733D1 | 1 | LINES GP-A/C (NOT SERVICED) (SEE BREAKDOWN FOR COMPONENTS) |
| 7 | 502580D1 | 1 | LINES GP-COOLANT (NOT SERVICED) (SEE BREAKDOWN FOR COMPONENTS) |
| 8 | 501680D1 | 1 | ENGINE AS-COMPL (588 HP) (ORDER COMPONENTS THRU CAT ENG DIV.) |
| 9 | 502735D1 | 1 | LINES GP-FUEL (NOT SERVICED) (SEE BREAKDOWN FOR COMPONENTS) |
| 10 | 180-2924 | 1 | MOTOR GP-ELECTRIC (NOT SERVICED) (SEE BREAKDOWN FOR COMPONENTS) |
| 11 | 502646D1 | 1 | TANK GP-EXP & COOLANT (NOT SERVICED) (SEE BREAKDOWN FOR COMPONENTS) |
| 12 | 185-2240 | 1 | PULLEY GP (NOT SERVICED) (SEE BREAKDOWN FOR COMPONENTS) |
| 13 | 501572D1 | 1 | AID GP-ETHER STARTING (SEE BREAKDOWN FOR COMPONENTS) |
| 14 | 187-1791 | 1 | DRIVE GP-ACCESSORY (NOT SERVICED) (SEE BREAKDOWN FOR COMPONENTS) |
| 15 | 187-1792 | 1 | MOUNTING GP-COMPRESSOR (NOT SERVICED) (SEE BREAKDOWN FOR COMPONENTS) |
| 16 | 502579D1 | 1 | COOLER GP-MTG & (NOT SERVICED) (SEE BREAKDOWN FOR COMPONENTS) |
| 17 | 501580D1 | 1 | LINES GP- DUST EJECTOR (NOT SERVICED) (SEE BREAKDOWN FOR COMPONENTS) |
| 18 | 502352D1 | 1 | FILTER GP-WATER (NOT SERVICED) (SEE BREAKDOWN FOR COMPONENTS) |
| 19 | 502738D1 | 1 | FAN GP-ENGINE (NOT SERVICED) (SEE BREAKDOWN FOR COMPONENTS) |
| 20 | 501573D1 | 1 | MOUNTING GP-ALTERNATOR (NOT SERVICED) (SEE BREAKDOWN FOR COMPONENTS) |

PART OF 501592D1; 501597D1 BASE UNIT AR

NOTIF
PR: t05b22n43d0022

MT800B SERIES TRACTORS ENGINE INSTALLATION ARRANGEMENT

COMPRESSOR GP-AIR - 500970D1 MT855B & MT865B



**MT800B SERIES TRACTORS
ENGINE INSTALLATION ARRANGEMENT**

91

**COMPRESSOR GP-AIR - 500970D1
MT855B & MT865B**

| ITEM | NUMBER | QTY | DESCRIPTION |
|------|------------|-----|--------------------------------------|
| - | 500970D1 | - | AIR COMPRESSOR GP [A] (NOT SERVICED) |
| 1 | CH5F-5434 | 1 | VENT AS-1/8NPTF |
| 2 | CH5P-7808 | 1 | CLIP-LOOP 16.0 ID |
| 3 | 400692X1 | 1 | ELBOW |
| 4 | 400704X1 | 1 | CONNECTOR-90DEG 10 STORX25.4 OD BARB |
| 5 | 101-9640 | 1 | GEAR-AIR COMPRESSOR |
| 6 | CH170-5282 | 1 | ELBOW-90DEG 8FLAR37X8NPTF |
| 7 | 179-2886 | 1 | HOSE AS-12.7 ID CMS 5883 |
| 8 | CH184-8029 | 1 | ELBOW AS.-90DEG 10 ORFS X M22 |
| | 400366X1 | 1 | SEAL-O-RING (22.5ODX1.78DIA) |
| | 400322X1 | 1 | SEAL-O-RING (19.28IDX1.78DIA) |
| | 187-9009 | 1 | RING-RETAINING |
| 9 | 197-1437 | 2 | SPACER |
| 10 | 198-1955 | 1 | TUBE AS. |
| 11 | 198-1961 | 1 | SPACER |
| 12 | 212-3602 | 1 | HOSE-AIR INLET |
| 13 | 215-8051 | 1 | BRACKET |
| 14 | 218-2808 | 1 | TUBE AS. |
| 15 | 400280X1 | 1 | ELBOW-45DEG 8STOR 8 37DEG FLARED |
| 16 | 400130X1 | 1 | BOLT-5/8-18X88.9 PH&O HHD 10.9 |
| 17 | CH110-0004 | 2 | SEAL (AIR COMP MTG) |
| 18 | 179-2887 | 1 | HOSE AS-12.7 ID CMS 5883 |
| 19 | CH1S-0994 | 1 | CLIP-LOOP 20.64 ID |
| 20 | 400658X1 | 1 | ELBOW-90DEG 4 FLAR 37 X 2 NPTF |
| 21 | 400659X1 | 1 | ELBOW-90 DEG 8 FLAR37 X 8 NPTF |
| 22 | 400281X1 | 1 | CONNECTOR-4 STOR 4 37DEG FLARED |
| 23 | 400361X1 | 1 | SEAL-O-RING 8.92 IDX1.83 DIA |
| 24 | CH4K-8302 | 3 | CLIP-LOOP 15.88 ID W/COAT |
| 25 | 400149X1 | 2 | BOLT-3/8-16X25.4 ZNDI HHD 10.9 |
| 26 | 501942D1 | 1 | HOSE ASM-7/16-20 THD,FJS/FJS90 |
| 27 | 400665X1 | 2 | CLIP-LOOP 19ID X 2 |
| 28 | CH5P-1075 | 2 | WASHER-HARD 10.2IDX22.5ODX3ORG |
| 29 | 400599X1 | 2 | WASHER-HARD,M8X20.5ODX2THK |
| 30 | 400674X1 | 1 | SEAL-O-RING 19.18IDX2.46DIA |
| 31 | 400675X1 | 1 | SEAL-O-RING 19.18IDX2.46DIA |
| 32 | 400678X1 | 2 | SEAL-O-RING 16.36IDX2.21DIA |
| 33 | 400681X1 | 1 | NUT M20 X 2.5 THD X 18 |
| 34 | 400682X1 | 3 | NUT 5/16-18 THD 6.75 |
| 35 | 400684X1 | 2 | UNION- 10 ORFS |
| 36 | 400687X1 | 1 | ELBOW-90DEG 10 ORFS SWVL |
| 37 | 400689X1 | 2 | CLIP LOOP 38.1ID |
| 38 | 400376X1 | 1 | SEAL-O-RING 29.74 IDX2.95 DIA |
| 39 | 400177X1 | 2 | BOLT-7/16-14X50 ZNDI HHD 10.9 |

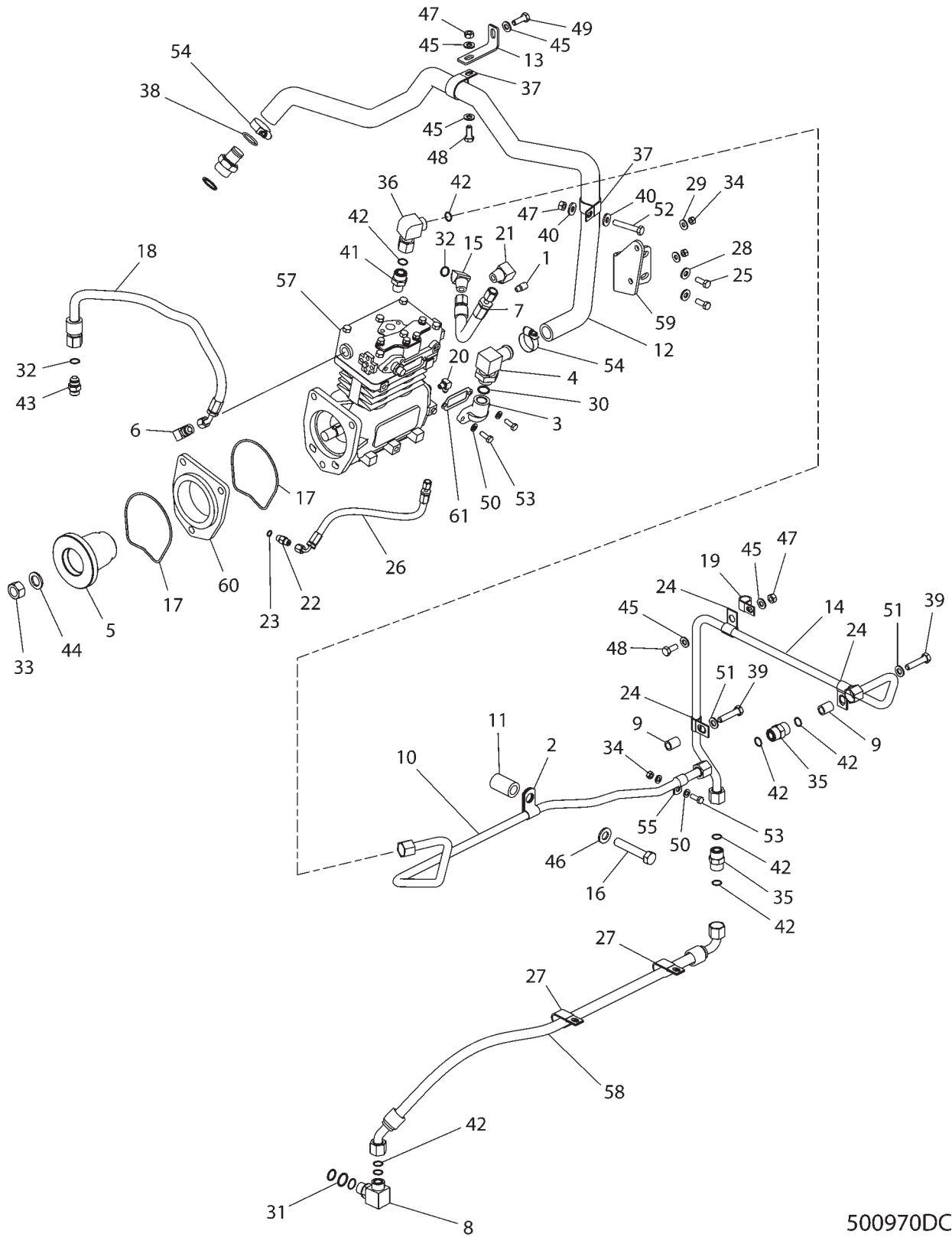
CONTINUED

[A] PART OF:
186-1620; 192-6390 BRAKE AR-AIR TRA
190-0440; 210-5704 TANK AR-AIR

500970DC
PR: t05b22n43d0023

MT800B SERIES TRACTORS
ENGINE INSTALLATION ARRANGEMENT

COMPRESSOR GP-AIR - 500970D1
MT855B & MT865B



**MT800B SERIES TRACTORS
ENGINE INSTALLATION ARRANGEMENT**

93

**COMPRESSOR GP-AIR - 500970D1
MT855B & MT865B**

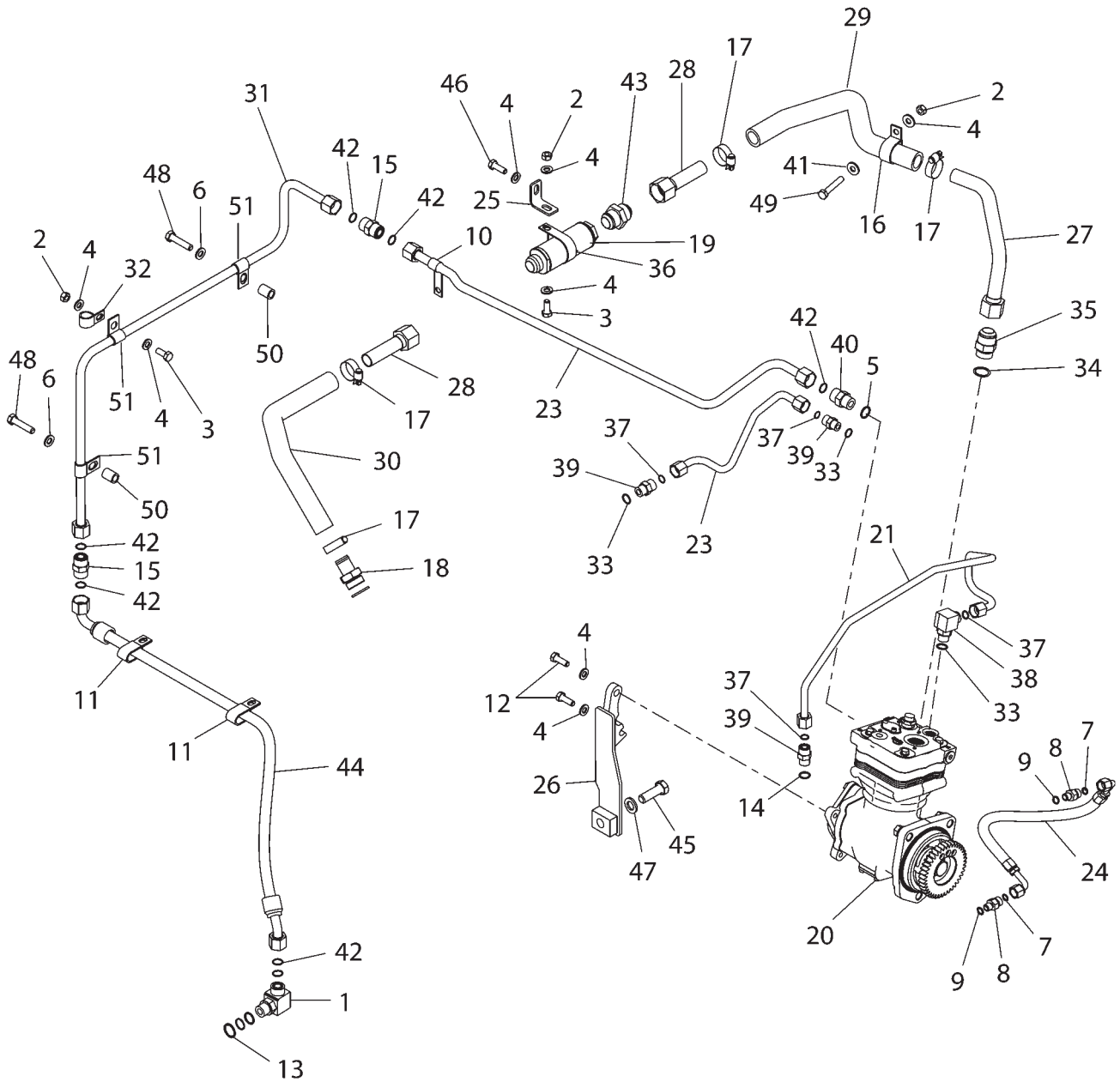
| ITEM | NUMBER | QTY | DESCRIPTION |
|------|-----------|-----|---|
| - | 500970D1 | - | AIR COMPRESSOR GP [A] (NOT SERVICED) |
| 40 | CH7X-7729 | 2 | WASHER-11IDX5ODX3MM |
| 41 | 400693X1 | 1 | ADAPTER-STR,0.50MNPTFX-10MORFS |
| 42 | CH8L-2746 | 7 | SEAL-O-RING 15.61IDX1.78DIA |
| 43 | 400696X1 | 1 | CONNECTOR-8FLAR 37 X 8STOR |
| 44 | CH8T-3282 | 1 | WASHER HARD-22IDX35ODX3.5MM |
| 45 | 400287X1 | 5 | WASHER-HARD 11IDX21ODX2.5 ZND1 |
| 46 | CH8T-4122 | 1 | WASHER HARD-17IDX32ODX3.5MM |
| 47 | 7774664 | 3 | NUT-M10-1.5,CL10.9,ZN,H,REG |
| 48 | 400039X1 | 2 | BOLT-M10X1.5X25 ZNDI HHD 10.9 |
| 49 | 400058X1 | 1 | BOLT-M10X1.5X30 ZNDI HHD 10.9 |
| 50 | 400339X1 | 4 | WASHER-HARD |
| 51 | 400358X1 | 2 | WASHER-HARD-7/16X22.5ODX2.5THK |
| 52 | 400239X1 | 1 | BOLT-M10X1.5X60 ZNDI HHD 10.9 |
| 53 | 400249X1 | 3 | BOLT-5/16-18X22.2 ZNDI HHD10.9 |
| 54 | 400701X1 | 2 | CLAMP-HOSE SST22.2-44.5IDX13.5 |
| 55 | 400702X1 | 1 | CLIP-ONE TUBE COATED |
| 56 | 400703X1 | 1 | CONNECTOR AS-16STORX25.4 BARB |
| | 400376X1 | 1 | SEAL-O-RING |
| 57 | 215-8055 | 1 | COMPRESSOR AS-AIR (SEE BREAKDOWN FOR COMPONENTS) |
| 58 | 218-2809 | 1 | HOSE AS-15.9 ID CMS 5758A |
| 59 | 500515D1 | 1 | BRACKET |
| 60 | 6I-3907 | 1 | ADAPTER-PILOT |
| 61 | 400697X1 | 1 | GASKET-AIR COMPRESSOR |

[A] PART OF:
186-1620; 192-6390 BRAKE AR-AIR TRA
190-0440; 210-5704 TANK AR-AIR

500970DC
PR: t05b22n43d0023

MT800B SERIES TRACTORS
ENGINE INSTALLATION ARRANGEMENT

COMPRESSOR GP-AIR - 501600D1



501600DB

**MT800B SERIES TRACTORS
ENGINE INSTALLATION ARRANGEMENT**

95

COMPRESSOR GP-AIR - 501600D1

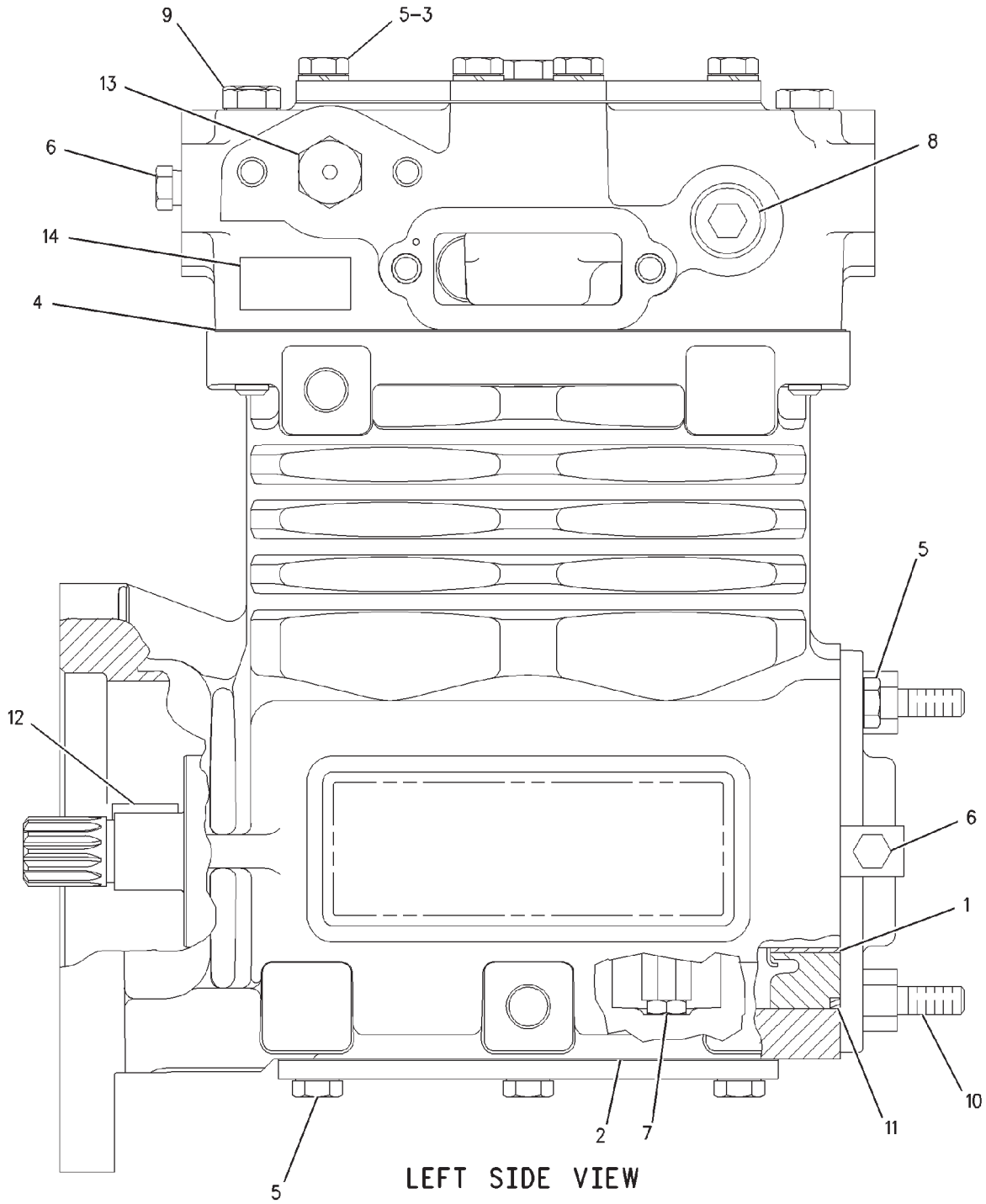
| ITEM | NUMBER | QTY | DESCRIPTION |
|------|------------|-----|--|
| - | 501600D1 | - | COMPRESSOR GP-AIR (BENDIX) (NOT SERVICED) |
| 1 | CH184-8029 | 1 | ELBOW-90 DEG (INCLS SEALS & RING) |
| | 400322X1 | 1 | SEAL-O-RING (19.28D X 1.78DIA) |
| | 400366X1 | 1 | SEAL-O-RING (22.5OD X 1.78DIA) |
| | 187-9009 | 1 | RING-RETAINING |
| 2 | 7774664 | 3 | NUT-M10-1.5,CL10.9,ZN,H,REG |
| 3 | 400039X1 | 2 | BOLT-M10X1.5X25 ZNDI HHD 10.9 |
| 4 | 400287X1 | 7 | WASHER-HARD 11IDX21ODX2.5 ZND1 |
| 5 | 400319X1 | 1 | SEAL-O-RING 19.18IDX2.46 |
| 6 | 400358X1 | 2 | WASHER-HARD-7/16X22.5ODX2.5THK |
| 7 | 400361X1 | 2 | SEAL-O-RING 8.92 IDX1.83 DIA |
| 8 | 400373X1 | 2 | CONNECTOR-STR -4 STOR -4 ORFS |
| 9 | 400377X1 | 2 | SEAL-O-RING 11.23 ODX1.78 DIA |
| 10 | 400657X1 | 1 | CLIP-ONE TUBE-COATED |
| 11 | 400665X1 | 2 | CLIP-LOOP 19ID X 2 |
| 12 | 400673X1 | 2 | BOLT-M10X1.5X30 STL HHD 10.9 |
| 13 | 400675X1 | 1 | SEAL-O-RING 19.18IDX2.46DIA |
| 14 | 400678X1 | 1 | SEAL-O-RING 16.36IDX2.21DIA |
| 15 | 400684X1 | 2 | UNION- 10 ORFS |
| 16 | 400689X1 | 1 | CLIP LOOP 38.1ID |
| 17 | 400701X1 | 4 | CLAMP-HOSE SST22.2-44.5IDX13.5 |
| 18 | 400703X1 | 1 | CONNECTOR AS-16STORX25.4 BARB (W/SEAL) |
| | 400376X1 | 1 | SEAL-O-RING |
| 19 | 500980D1 | 1 | VALVE AS. |
| 20 | 500989D1 | 1 | COMPRESSOR GP-AIR |
| 21 | 501975D1 | 1 | TUBE AS. |
| 22 | 501976D1 | 1 | TUBE AS. |
| 23 | 501977D1 | 1 | TUBE AS. |
| 24 | 502308D1 | 1 | HOSE AS. (FOR |
| 25 | 502309D1 | 1 | BRACKET |
| 26 | 502310D1 | 1 | BRACKET AS. |
| 27 | 502314D1 | 1 | TUBE AS. |
| 28 | 503953D1 | 2 | TUBE AS. |
| 29 | 503953D1 | 1 | HOSE-AIR INLET |
| 30 | 503953D1 | 1 | HOSE-AIR INLET |
| 31 | 502332D1 | 1 | TUBE AS. |
| 32 | CH1S-0994 | 1 | CLIP-LOOP 20.64 ID |
| 33 | CH3K-0360 | 3 | SEAL-O-RING 16.36IDX2.21DIA |
| 34 | CH4K-1388 | 1 | SEAL-O-RING 26.59 ID |
| 35 | CH5P-3237 | 1 | CONNECTOR-STORTO |
| 36 | CH6V-2235 | 1 | CLIP-LOOP 50.8 ID |
| 37 | CH6V-8398 | 4 | SEAL-O-RING-16.03ODX1.78DIA |
| 38 | CH6V-8625 | 1 | ELBOW-90DEG -8 STOR -10 BARB |
| 39 | CH6V-8639 | 3 | CONNECTOR-STR-12.7 STR -8 ORFS |
| 40 | CH6V-8642 | 1 | CONNECTOR-O-RING PORT |
| 41 | CH7X-7729 | 2 | WASHER-11IDX5ODX3MM |
| 42 | CH8L-2746 | 6 | SEAL-O-RING 15.61IDX1.78DIA |
| 43 | CH9S-7754 | 1 | UNION-37 DEGREE FLARED |
| 44 | 218-2809 | 1 | HOSE AS-15.9 ID CMS 5758A |
| 45 | 400056X1 | 1 | BOLT-M16X2X50MM ZNDI HHD 10.9 |
| 46 | 400058X1 | 1 | BOLT-M10X1.5X30 ZNDI HHD 10.9 |
| 47 | 400082X1 | 1 | WASHER-HARD 17.5IDX30ODX3.5 ZN |
| 48 | 400177X1 | 2 | BOLT-7/16-14X50 ZNDI HHD 10.9 |
| 49 | 400239X1 | 1 | BOLT-M10X1.5X60 ZNDI HHD 10.9 |
| 50 | 197-1437 | 2 | SPACER |
| 51 | CH4K-8302 | 3 | CLIP-LOOP 15.88 ID W/COAT |

[A] PART OF 502357D1; 502358D1 BRAKE AR;
502359D1; 502360D1 TANK AR-AIR

501600DB
PR: t05b22n43d0024

MT800B SERIES TRACTORS
ENGINE INSTALLATION ARRANGEMENT

AIR COMPRESSOR GP - 215-8055



**MT800B SERIES TRACTORS
ENGINE INSTALLATION ARRANGEMENT**

97

AIR COMPRESSOR GP - 215-8055

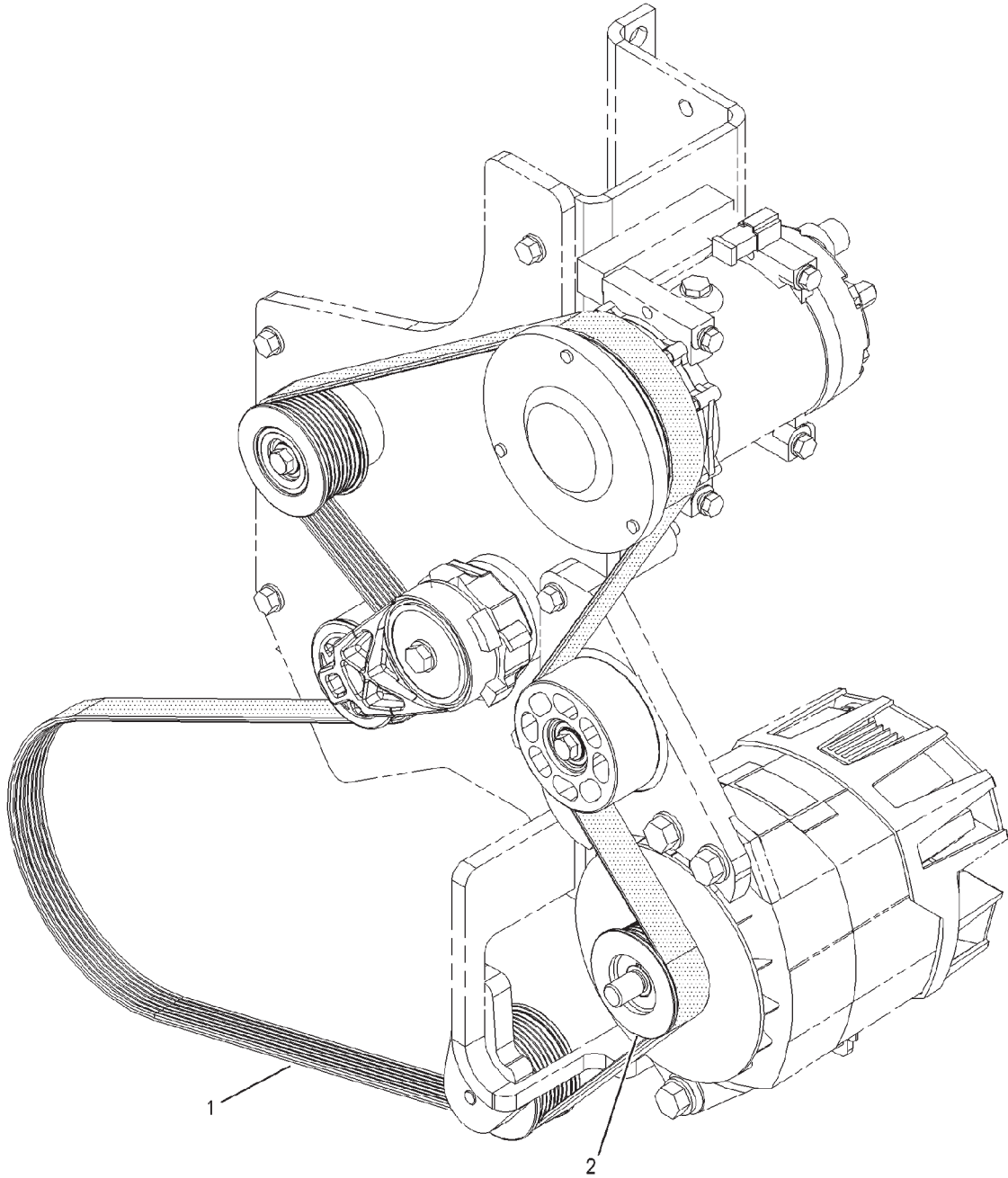
| ITEM | NUMBER | QTY | DESCRIPTION |
|------|------------|-----|-------------------------|
| - | 215-8055 | - | AIR COMPRESSOR GP [A] |
| 1 | CH7C-6178 | 2 | BEARING-REAR |
| 2 | 7E-8928 | 1 | GASKET-BASE |
| 3 | CH3B-4505 | 4 | LOCKWASHER (.097IN THK) |
| 4 | CH4P-3977 | 1 | GASKET-CYLINDER HEAD |
| 5 | CH0S-1617 | 12 | BOLT (5/16-18X0.75 IN) |
| 6 | CH8T-6764 | 2 | PLUG-PIPE |
| 7 | CH4P-3966 | 2 | PISTON & ROD AS |
| 8 | CH8T-6762 | 1 | PLUG-PIPE |
| 9 | CH0L-1352 | 6 | BOLT (3/8-16X3.25 IN) |
| 10 | CH146-0835 | 2 | STUD-END COVER |
| 11 | CH2H-3934 | 1 | SEAL-O-RING |
| 12 | CH103-6216 | 1 | KEY |
| 13 | CH124-5572 | 1 | VALVE |
| 14 | 400649X1 | 1 | PLATE-INFORMATION |
| - | 7E-8923 | 1 | KIT-CRANKSHAFT BEARING |
| - | 7E-8925 | 1 | KIT-STANDARD RING |
| - | 7E-8926 | 1 | KIT-CYLINDER HEAD |
| - | 150-5146 | 1 | KIT-UNLOADER |

[A] PART OF 180-2937; 180-2398;
500970D1 AIR COMPRESSOR GP

00783724
PR: t05b22n43d0025

MT800B SERIES TRACTORS
ENGINE INSTALLATION ARRANGEMENT

DRIVE GP-ACCESSORY - 187-1791



00869546

**MT800B SERIES TRACTORS
ENGINE INSTALLATION ARRANGEMENT**

99

DRIVE GP-ACCESSORY - 187-1791

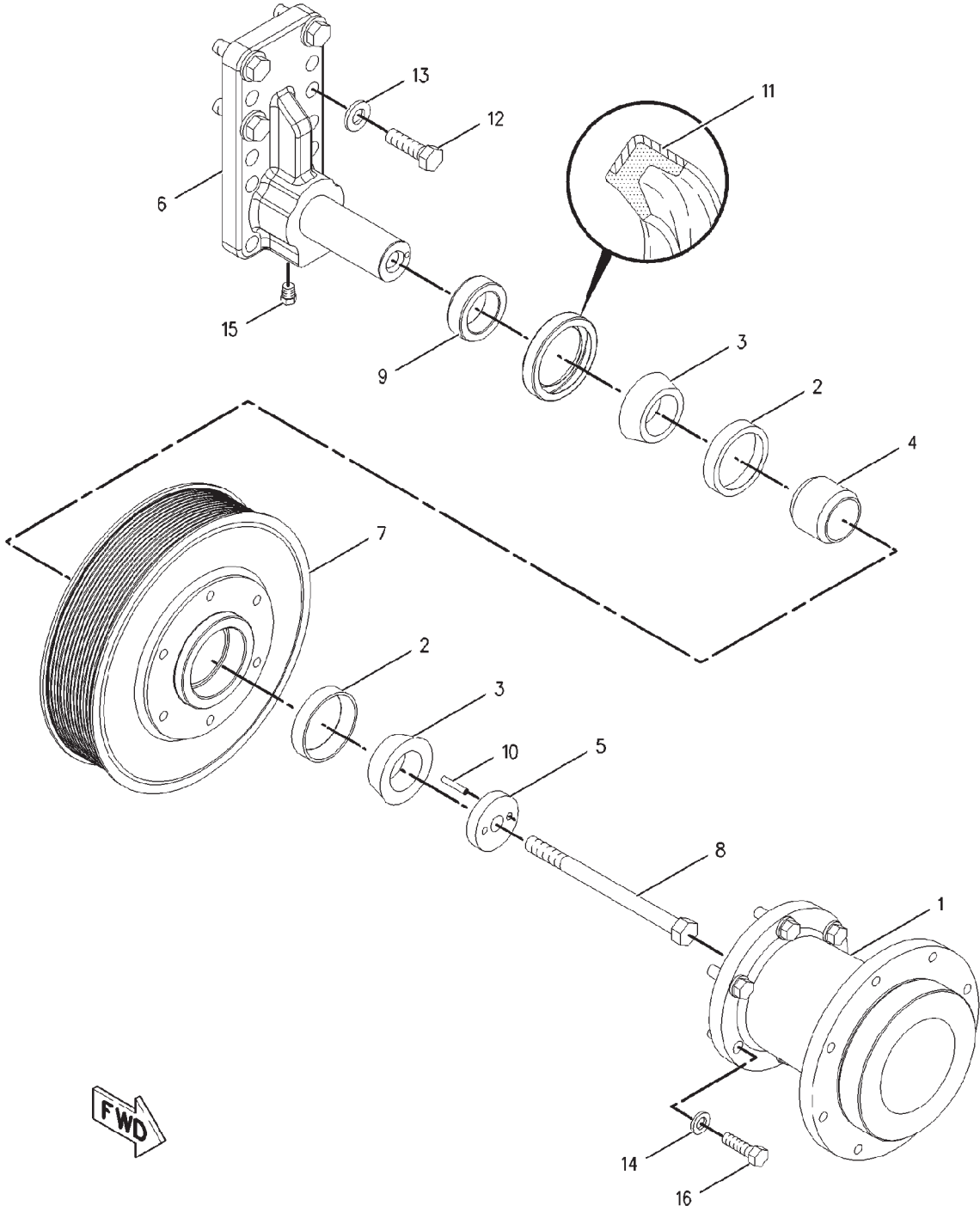
| ITEM | NUMBER | QTY | DESCRIPTION |
|------|----------|-----|---------------------------------------|
| - | 187-1791 | - | DRIVE GP-ACCESSORY [A] (NOT SERVICED) |
| 1 | 500685D1 | 1 | BELT (ALTERNATOR) |
| 2 | 500519D1 | 1 | PULLEY-ALTERNATOR (8 GROOVE) |

[A] PART OF:
501583D1; 501854D1; 501585D1;
501586D1; 501857D1
INSTALLATION AR-ENGINE

00869546
PR: t05b22n43d0026

MT800B SERIES TRACTORS
ENGINE INSTALLATION ARRANGEMENT

DRIVE GP-FAN - 197-5675



00878552

**MT800B SERIES TRACTORS
ENGINE INSTALLATION ARRANGEMENT**

101

DRIVE GP-FAN - 197-5675

| ITEM | NUMBER | QTY | DESCRIPTION |
|------|-----------|-----|---------------------------------|
| - | 197-5675 | - | DRIVE GP-FAN [A] (NOT SERVICED) |
| 1 | 221-2548 | 1 | ADAPTER-FAN |
| 2 | CH4W-1203 | 2 | CUP-BEARING |
| 3 | CH4W-1204 | 2 | CONE-BEARING |
| 4 | CH4W-2042 | 1 | SPACER (35.3X45.5X38.331) |
| 5 | CH7E-4808 | 1 | PLATE |
| 6 | 221-0808 | 1 | BRACKET |
| 7 | 197-5676 | 1 | PULLEY-FAN |
| 8 | 400146X1 | 1 | BOLT (1/2-13X165) |
| 9 | CH5S-9062 | 1 | SPACER (35.032X50.8X15.88) |
| 10 | 6H-3956 | 1 | PIN |
| 11 | CH6V-9748 | 1 | SEAL-LIP |
| 12 | 400050X1 | 4 | BOLT (M12X1.75X40MM) |
| 13 | 400357X1 | 4 | WASHER-HARD (M12X25.5X3) |
| 14 | CH8T-4896 | 6 | WASHER-HARD (10.2X18.5X2.5) |
| 15 | 8T-6764 | 1 | PLUG-PIPE |
| 16 | 400252X1 | 6 | BOLT (3/8-16X1.25 IN) |
| 17 | CH9F-4446 | 1 | SEAL-O-RING (NOT SHOWN) |
| 18 | CH8T-1807 | AR | LUBRICANT (NOT SHOWN) [B] |

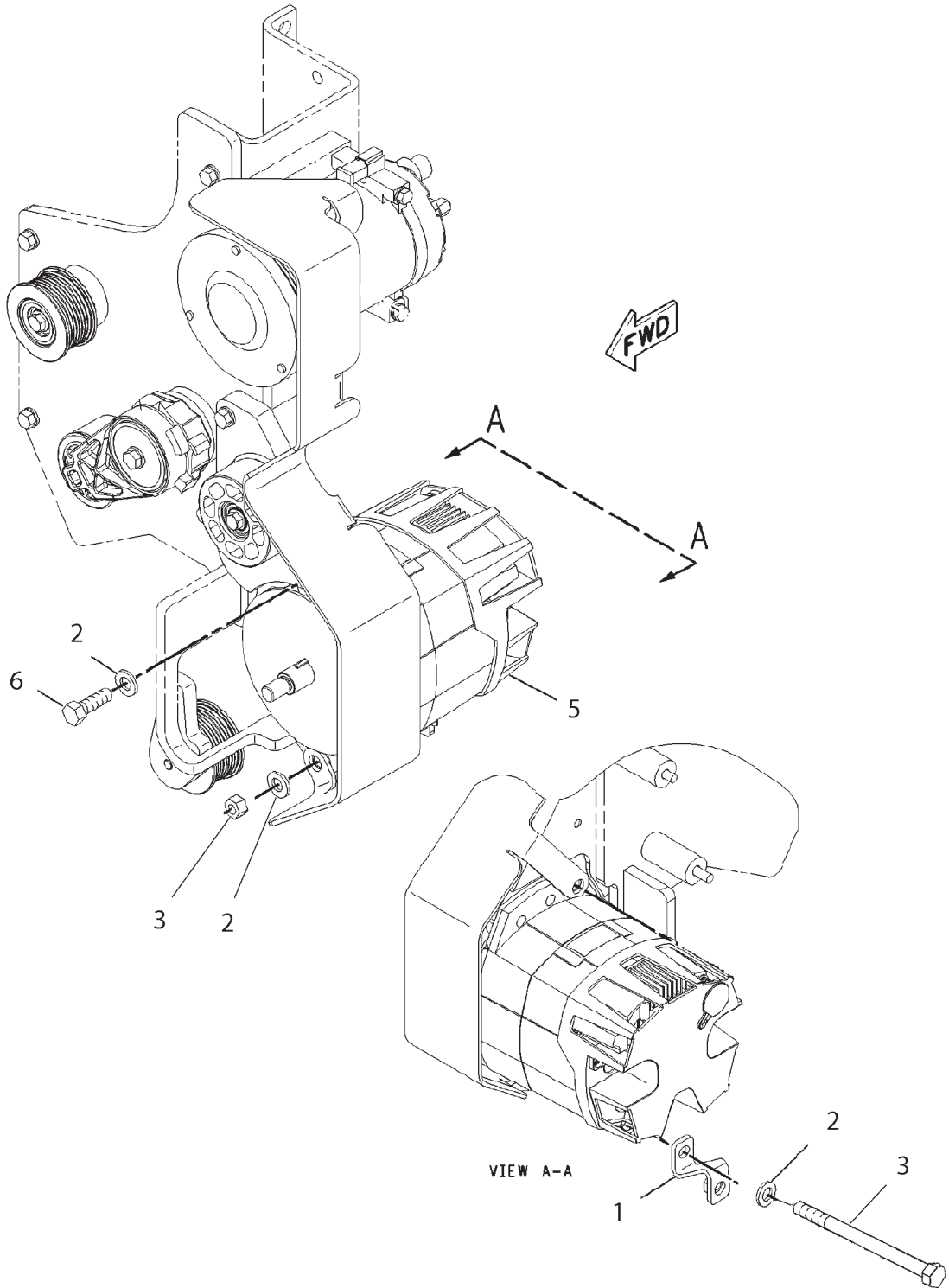
[A] PART OF 185-2240 PULLEY GP

[B] LUBRICATE DRIVE GP WITH 40 GRAMS OF BEARING LUBRICANT. LIGHTLY LUB. THE SEALING LIPS WITH BEARING LUB. ADD 10 GRAMS IN CAVITY BETWEEN BEARINGS AN PUT 30 GRAMS IN THE FAN ADAPTER CAVITY.

00878552
PR: t05b22n43d0027

MT800B SERIES TRACTORS
ENGINE INSTALLATION ARRANGEMENT

MOUNTING GP-ALTERNATOR - 501573D1



**MT800B SERIES TRACTORS
ENGINE INSTALLATION ARRANGEMENT**

103

MOUNTING GP-ALTERNATOR - 501573D1

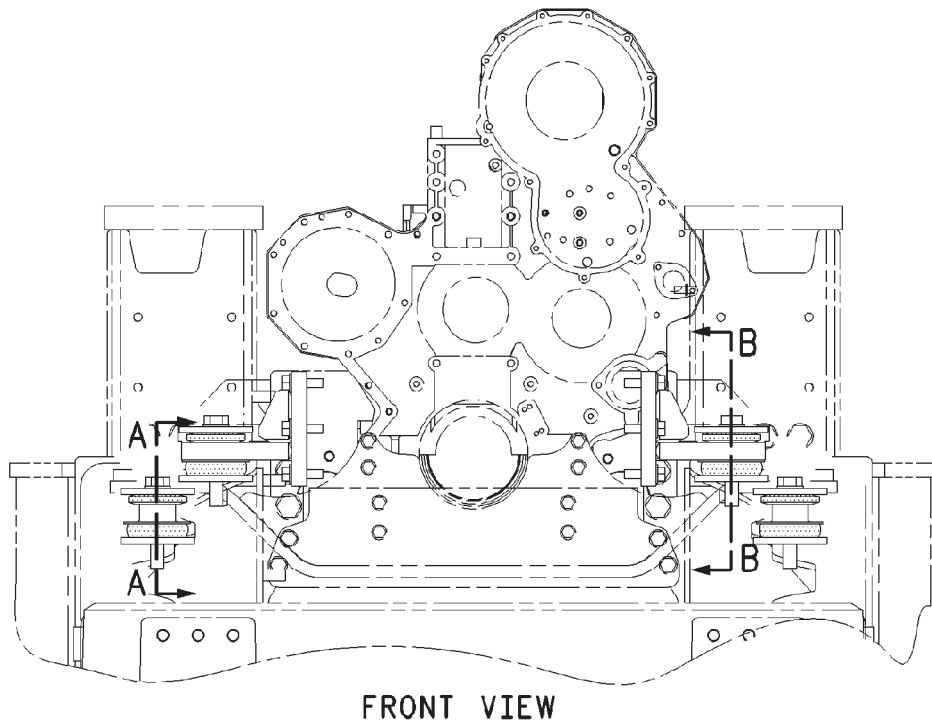
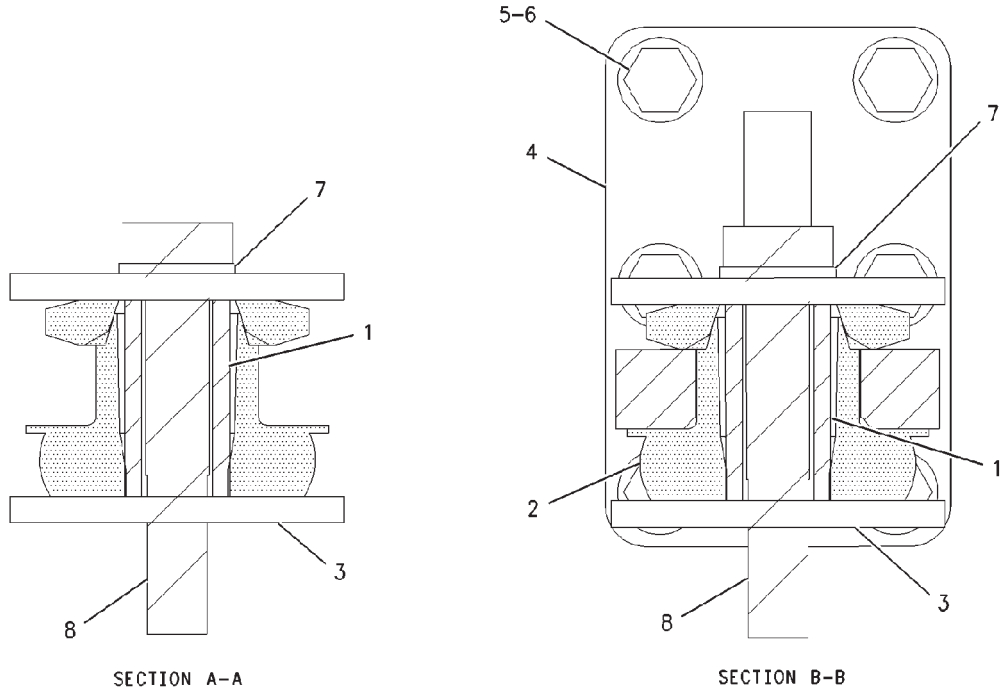
| ITEM | NUMBER | QTY | DESCRIPTION |
|------|-----------|-----|--|
| - | 501573D1 | - | MOUNTING GP-ALTERNATOR [A] (NOT SERVICED) |
| 1 | 142-9826 | 1 | BRACKET ASM |
| | CH8T-3490 | 1 | NUT-WELD |
| 2 | 400357X1 | 4 | WASHER-HARD (M12X25.5X3) |
| 3 | 400570X1 | 1 | NUT (1/2-13) |
| 4 | 400826X1 | 1 | BOLT (1/2-13X7.5 IN) |
| 5 | 500969D1 | 1 | ALTERNATOR (12V-185A) |
| | 501883D1 | 1 | GUARD |
| | 501884D1 | 1 | REGULATOR |
| 6 | 400274X1 | 1 | BOLT (1/2-13X2.25 IN) |

[A] PART OF 501583D1; 501584D1;
501585D1; 501586D1; 501587D1
INSTALLATION AR-ENGINE

501573DC
PR: t05b22n43d0028

MT800B SERIES TRACTORS
ENGINE INSTALLATION ARRANGEMENT

MOUNTING GP-ENGINE - 172-5333



**MT800B SERIES TRACTORS
ENGINE INSTALLATION ARRANGEMENT**

105

MOUNTING GP-ENGINE - 172-5333

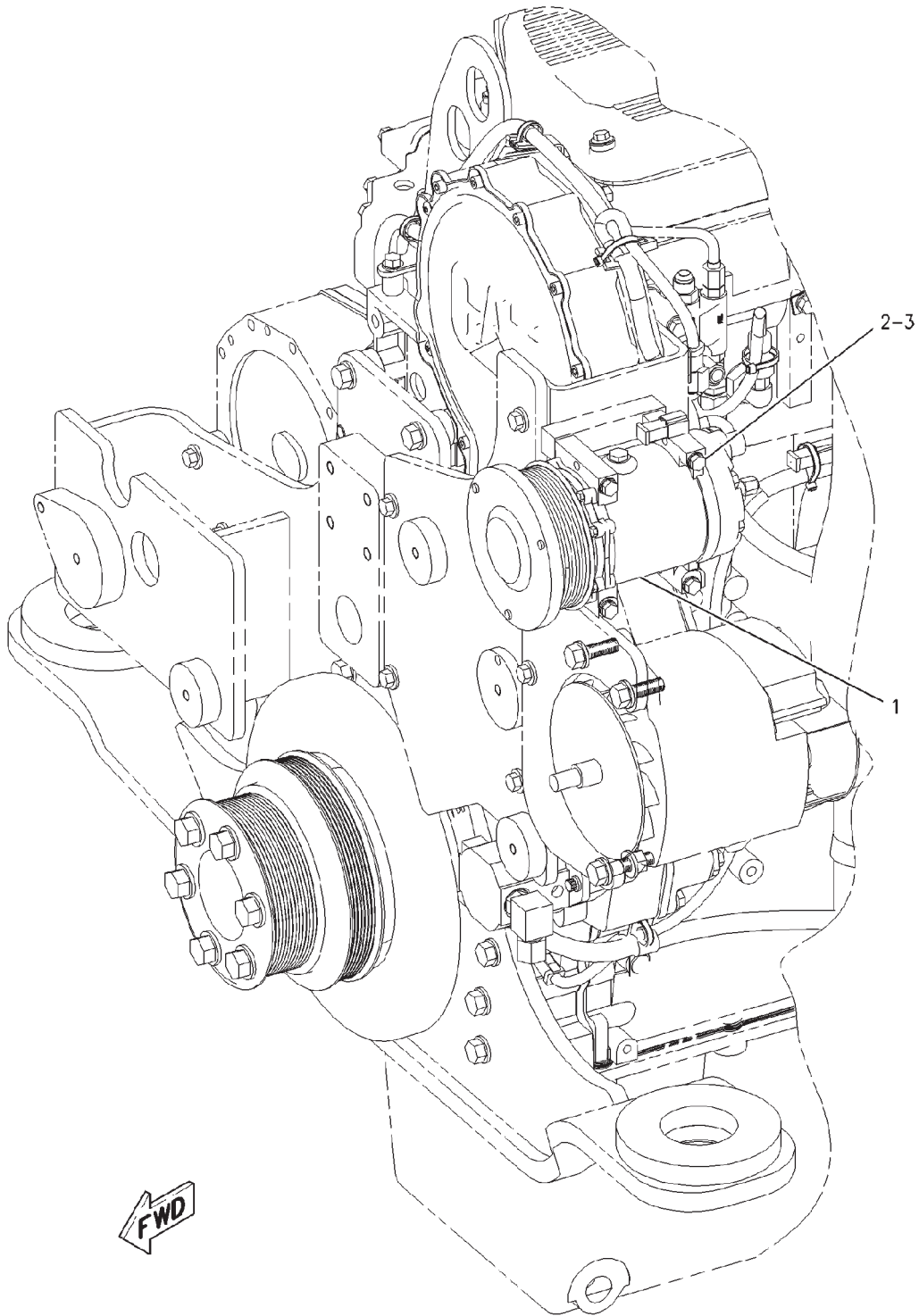
| ITEM | NUMBER | QTY | DESCRIPTION |
|------|-----------|-----|---------------------------------------|
| - | 172-5333 | - | MOUNTING GP-ENGINE [A] (NOT SERVICED) |
| 1 | CH3E-4883 | 4 | SLEEVE |
| 2 | CH9W-9930 | 4 | MOUNT ASM (INCLUDES PAD & MOUNT) |
| 3 | 400336X1 | 8 | WASHER |
| 4 | 223-0701 | 2 | BRACKET-SUPPORT ENGINE |
| 5 | 400180X1 | 12 | BOLT (5/8-11X50.8) |
| 6 | CH8T-4122 | 12 | WASHER-HARD (17X32X3.5) |
| 7 | 400081X1 | 4 | WASHER-HARD (26X44X4) |
| 8 | 400229X1 | 4 | BOLT (M24X3X140MM) |

[A] PART OF 172-5363; 172-5364;
187-1743; 187-1744; 501583D1;
501584D1; 501585D1; 501586D1;
501587D1 INSTALLATION AR-ENGINE

00867786
PR: t05b22n43d0029

MT800B SERIES TRACTORS
ENGINE INSTALLATION ARRANGEMENT

MOUNTING GP-REFRIGERANT COMPR - 187-1792



**MT800B SERIES TRACTORS
ENGINE INSTALLATION ARRANGEMENT**

107

MOUNTING GP-REFRIGERANT COMPR - 187-1792

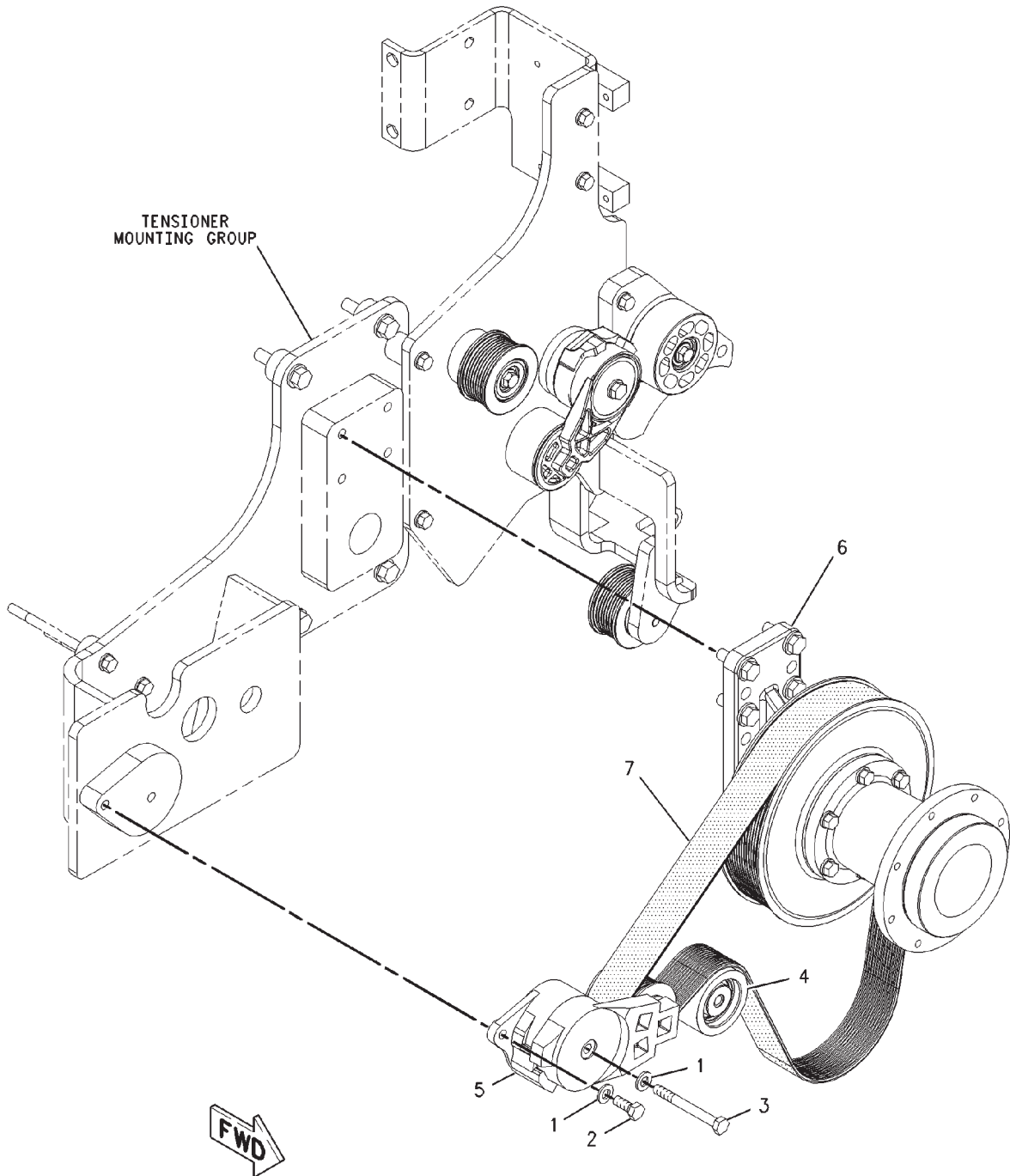
| ITEM | NUMBER | QTY | DESCRIPTION |
|------|------------|-----|---|
| - | 187-1792 | - | MOUNTING GP-REFRIGERANT COMPR [A] (NOT SERVICED) |
| 1 | CH178-9570 | 1 | COMPRESSOR GP-REFRIGERANT (SEE BREAKDOWN FOR COMPONENTS) |
| 2 | 400028X1 | 4 | BOLT (M8X1.25X100MM) |
| 3 | 400339X1 | 4 | WASHER-HARD (8.8X16X2) |

[A] PART OF 172-5361;172-5362;172-5363;
172-5364; 501583D1; 501584D1;
501585D1; 501586D1; 501587D1
INSTALLATION AR-ENGINE

00867656
PR: t05b22n43d0030

MT800B SERIES TRACTORS
ENGINE INSTALLATION ARRANGEMENT

PULLEY GP - 185-2240
A4-HI AMBIENT



**MT800B SERIES TRACTORS
ENGINE INSTALLATION ARRANGEMENT**

109

**PULLEY GP - 185-2240
A4-HI AMBIENT**

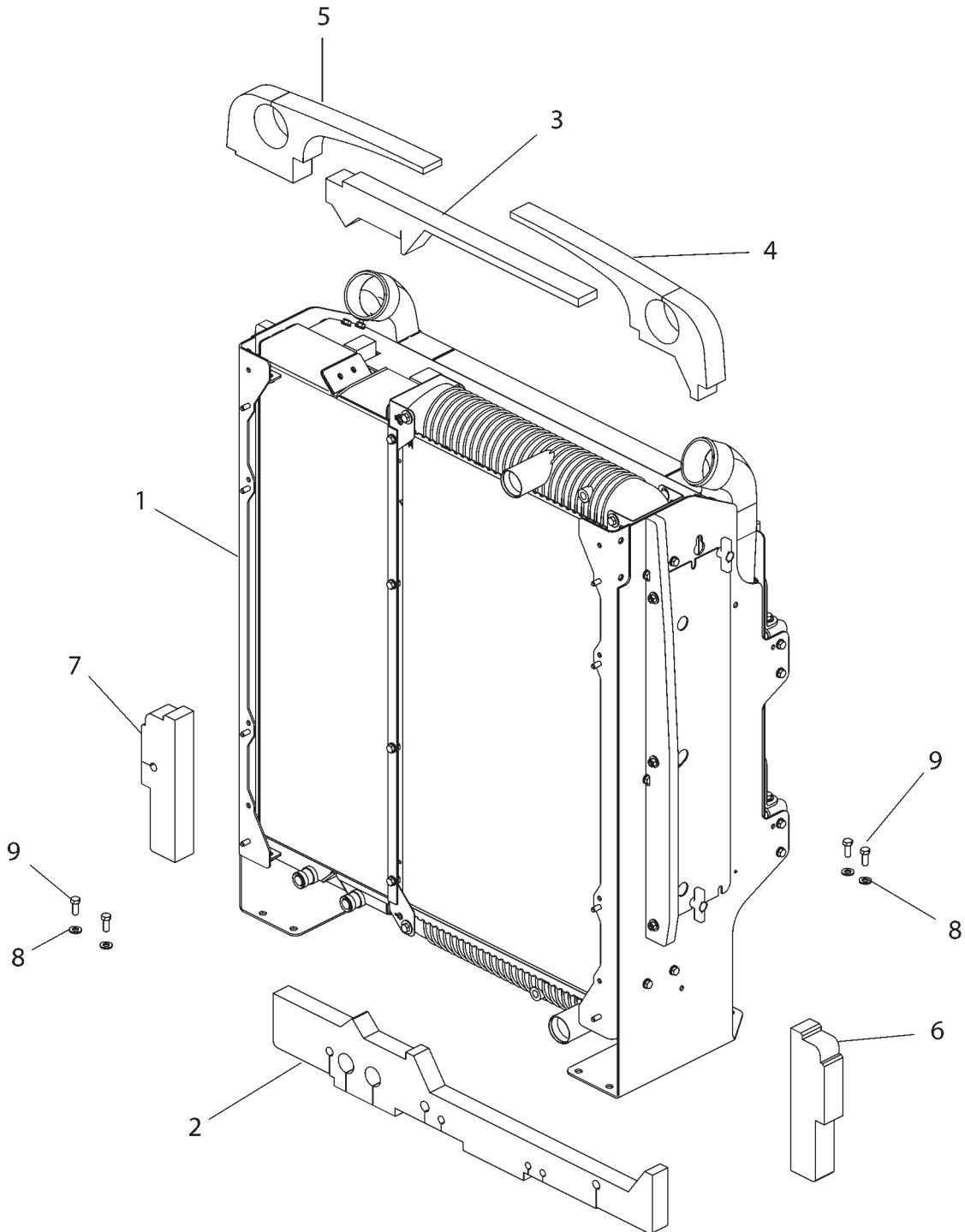
| ITEM | NUMBER | QTY | DESCRIPTION |
|------|------------|-----|---|
| - | 185-2240 | - | PULLEY GP [A] (NOT SERVICED) |
| 1 | 400287X1 | 2 | WASHER-HARD (11X21X2.5) |
| 2 | 400039X1 | 1 | BOLT (M10X1.5X25MM) |
| 3 | 400225X1 | 1 | BOLT (M10X1.5X90MM) |
| 4 | 221-1233 | 1 | PULLEY ASM-IDLER |
| | CH172-2241 | | PULLEY (INCLUDES 4A THRU 4D) |
| 4A | CH8T-0644 | 1 | BOLT (M10X1.50X90MM) |
| 4B | 400287X1 | 1 | WASHER-HARD (11X21X2.5) |
| 4C | CH172-3403 | 1 | SPACER |
| 4D | CH194-4168 | 1 | COVER-DUST |
| 5 | 221-1230 | 1 | BELT TIGHTENER |
| 6 | 197-5675 | 1 | DRIVE GP-FAN (NOT SERVICED) (SEE BREAKDOWN FOR COMPONENTS) |
| 7 | 197-6292 | 1 | BELT |

[A] PART OF 172-5364; 187-1744;
501583D1; 501854D1; 501585D1;
501585D1; 501586D1; 501587D1
INSTALLATION AR-ENGINE

00899835
PR: t05b22n43d0031

MT800B SERIES TRACTORS
COOLING SYSTEM

COOLER GP & MTG - 500920D1
MT835B, MT845B, MT855B & MT865B



**MT800B SERIES TRACTORS
COOLING SYSTEM**

111

**COOLER GP & MTG - 500920D1
MT835B, MT845B, MT855B & MT865B**

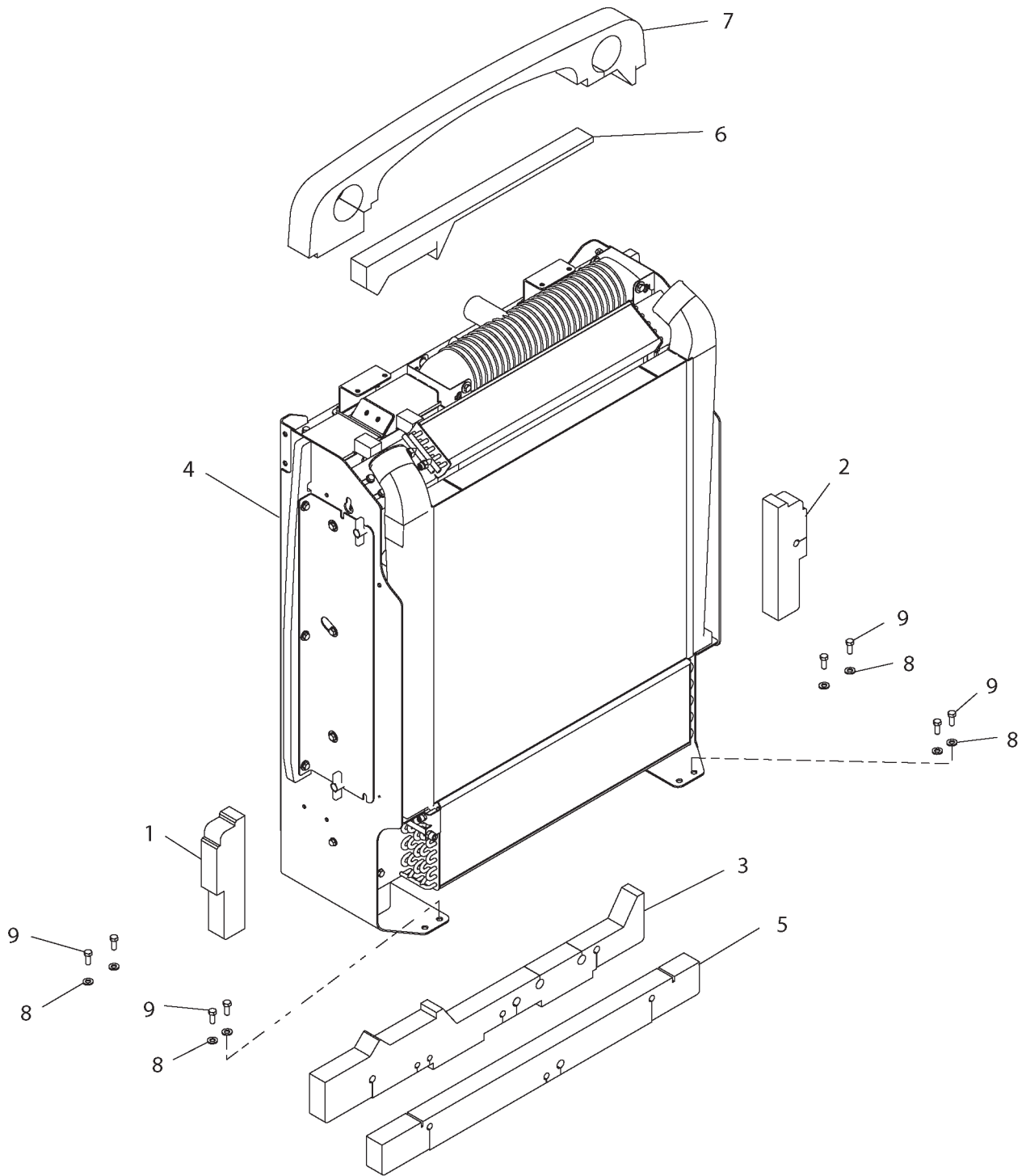
| ITEM | NUMBER | QTY | DESCRIPTION |
|------|----------|-----|---|
| - | 500920D1 | - | COOLER GP & MTG [A] (NOT SERVICED) |
| 1 | 500919D1 | 1 | CORE GP & MOUNTING (NOT SERVICED) (SEE BREAKDOWN FOR COMPONENTS) |
| 2 | 500923D1 | 1 | BAFFLE-BOTTOM |
| 3 | 501034D1 | 1 | BAFFLE |
| 4 | 501035D1 | 1 | BAFFLE |
| 5 | 501036D1 | 1 | BAFFLE |
| 6 | 501057D1 | 1 | BAFFLE-RH |
| 7 | 501058D1 | 1 | BAFFLE-LH |
| 8 | 400357X1 | 8 | WASHER-HARD-M12X25.50DX3THK |
| 9 | 400041X1 | 8 | BOLT-M12X1.75X30 ZNDI HHD 10.9 |

[A] PART OF:
501583D1; 501854D1; 501585D1;
501586D1 INSTALLATION AR

500920DA
PR: t05b22n43d0032

MT800B SERIES TRACTORS
COOLING SYSTEM

COOLER GP-MTG & - 502579D1
MT875B



**MT800B SERIES TRACTORS
COOLING SYSTEM**

113

**COOLER GP-MTG & - 502579D1
MT875B**

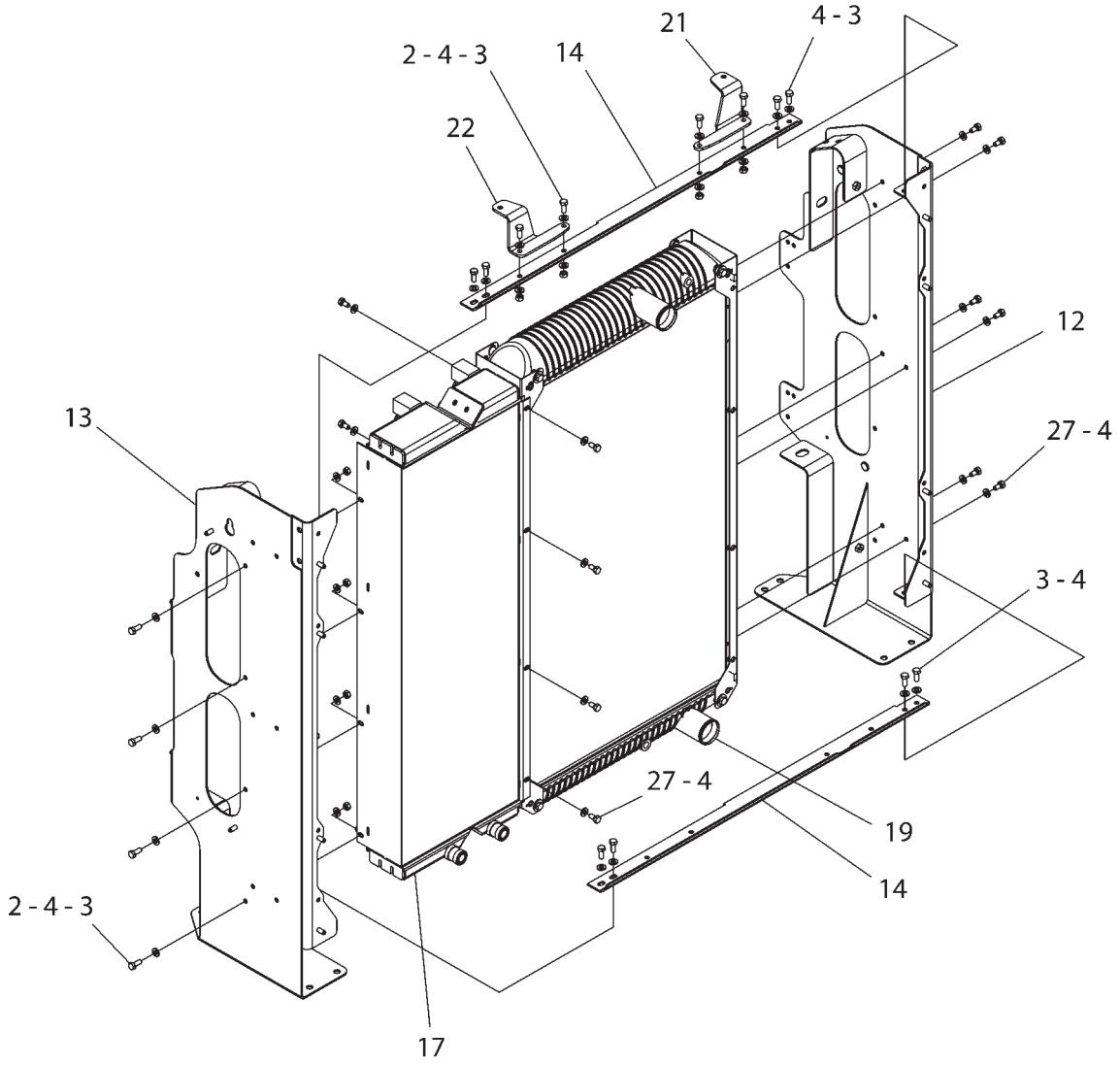
| ITEM | NUMBER | QTY | DESCRIPTION |
|------|----------|-----|---|
| - | 502579D1 | - | COOLER GP-MTG & [A] (NOT SERVICED) |
| 1 | 501057D1 | 1 | BAFFLE-RH |
| 2 | 501058D1 | 1 | BAFFLE-LH |
| 3 | 502495D1 | 1 | BAFFLE-BOTTOM |
| 4 | 502540D1 | 1 | CORE GP-MOUNTING & (NOT SERVICED) (SEE BREAKDOWN FOR COMPONENTS) |
| 5 | 502592D1 | 1 | BAFFLE-BOTTOM (AC CONDENSER) |
| 6 | 502743D1 | 1 | BAFFLE |
| 7 | 502745D1 | 1 | BAFFLE |
| 8 | 400357X1 | 8 | WASHER-HARD-M12X25.50DX3THK |
| 9 | 400041X1 | 8 | BOLT-M12X1.75X30 ZNDI HHD 10.9 |

[A] PART OF 501587D1 INSTALLATION AR

502579DA
PR: t05b22n43d0033

MT800B SERIES TRACTORS
COOLING SYSTEM

CORE GP & MOUNTING - 500919D1
1 OF 3



MT800B SERIES TRACTORS
COOLING SYSTEM

115

CORE GP & MOUNTING - 500919D1
1 OF 3

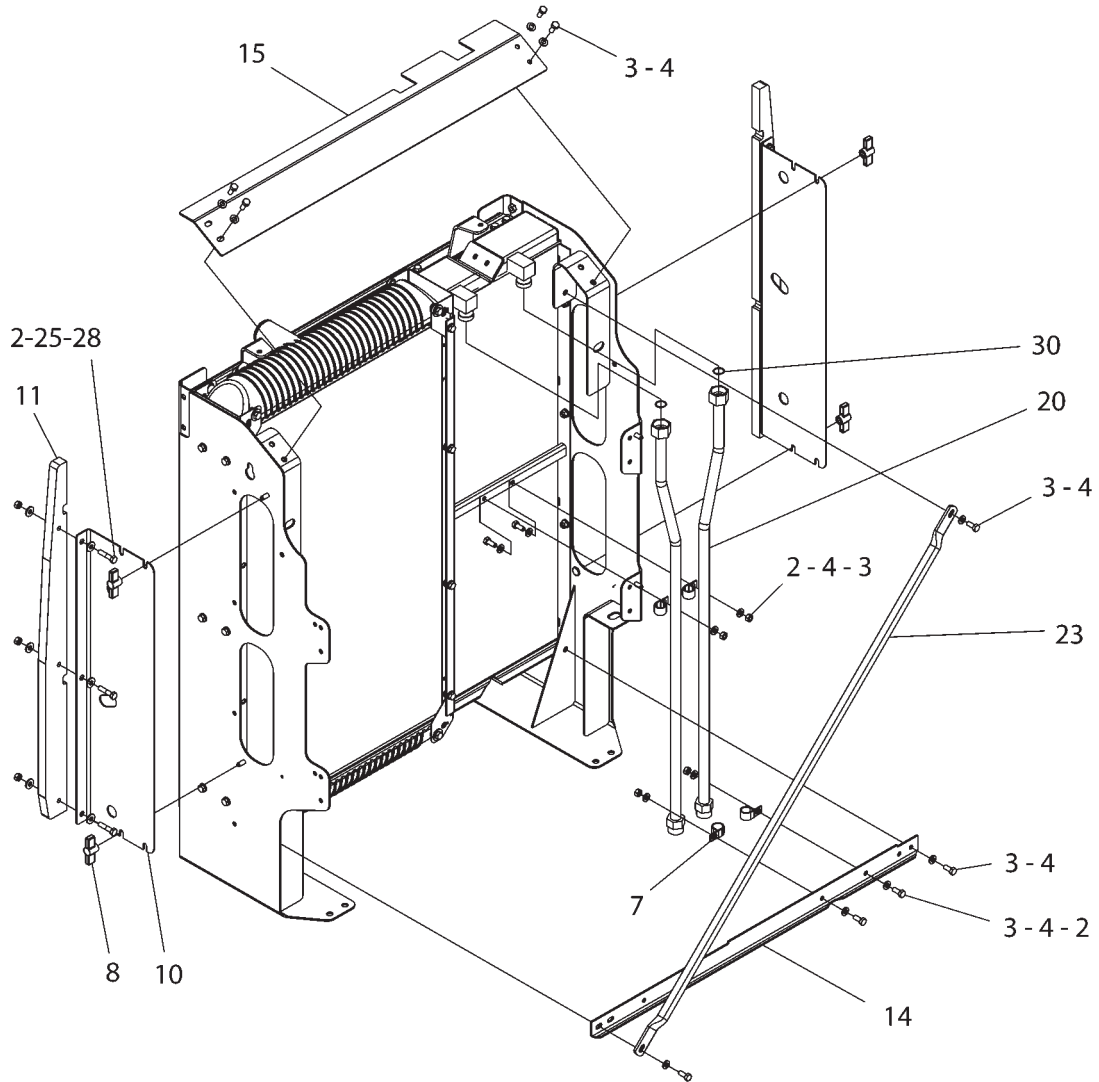
| ITEM | NUMBER | QTY | DESCRIPTION |
|------|----------|-----|---------------------------------------|
| - | 500919D1 | - | CORE GP & MOUNTING [A] (NOT SERVICED) |
| 2 | 7774664 | 8 | NUT-M10-1.5,CL10.9,ZN,H,REG |
| 3 | 400039X1 | 16 | BOLT-M10X1.5X25 ZNDI HHD 10.9 |
| 4 | 400287X1 | 38 | WASHER-HARD 11IDX21ODX2.5 ZND1 |
| 12 | 500902D1 | 1 | SUPPORT AS.-RH |
| 13 | 500903D1 | 1 | SUPPORT AS.-LH |
| 14 | 500905D1 | 2 | BRACKET |
| 17 | 500914D1 | 1 | CORE AS.-OIL COOLER |
| 19 | 500918D1 | 1 | CORE AS.-RADIATOR |
| 21 | 500952D1 | 1 | BRACKET AS.-RH |
| 22 | 500953D1 | 1 | BRACKET AS.-LH |
| 27 | 400040X1 | 14 | BOLT-M10X1.5X20 ZNDI HHD 10.9 |

PART OF 500920D1 COOLER GP

500919AA
PR: t05b22n43d0034

MT800B SERIES TRACTORS
COOLING SYSTEM

CORE GP & MOUNTING - 500919D1
2 OF 3



**MT800B SERIES TRACTORS
COOLING SYSTEM**

117

**CORE GP & MOUNTING - 500919D1
2 OF 3**

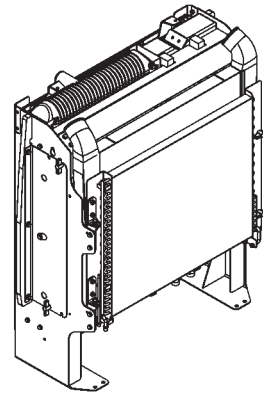
| ITEM | NUMBER | QTY | DESCRIPTION |
|------|-----------|-----|---------------------------------------|
| - | 500919D1 | - | CORE GP & MOUNTING [A] (NOT SERVICED) |
| 2 | 7774664 | 10 | NUT-M10-1.5,CL10.9,ZN,H,REG |
| 3 | 400039X1 | 13 | BOLT-M10X1.5X25 ZNDI HHD 10.9 |
| 4 | 400287X1 | 15 | WASHER-HARD 11IDX21ODX2.5 ZND1 |
| 7 | 400688X1 | 4 | CLIP LOOP 25.4ID |
| 8 | 500508D1 | 4 | KNOB-M10 |
| 10 | 500603D1 | 2 | PLATE-COVER |
| 11 | 500615D1 | 2 | GUIDE-HOOD |
| 14 | 500905D1 | 1 | BRACKET |
| 15 | 500911D1 | 1 | BRACKET |
| 20 | 500921D1 | 2 | TUBE AS |
| 23 | 500954D1 | 1 | BRACE-TUBE |
| 25 | CH7X-7729 | 12 | WASHER-11IDX5ODX3MM |
| 28 | 400049X1 | 6 | BOLT-M10X1.5X45 ZNDI HHD 10.9 |
| 30 | 400123X1 | 2 | SEAL-O RING-27.22ODX1.78 DIA |

PART OF 500920D1 COOLER GP

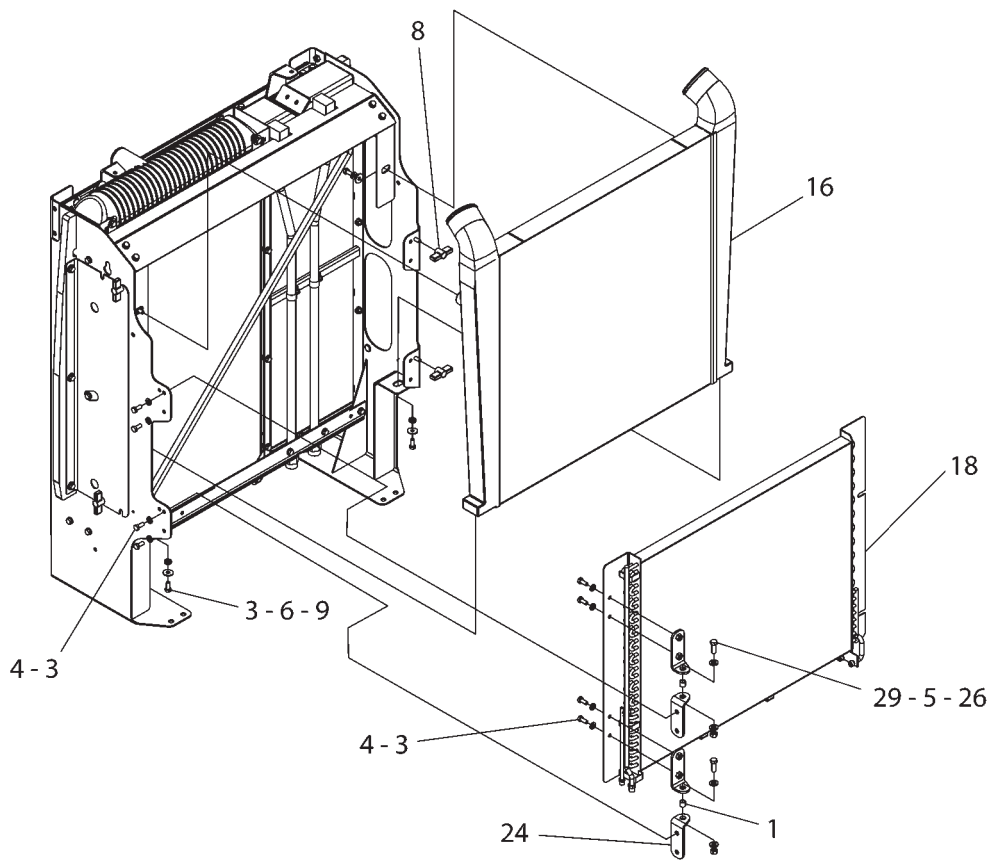
500919BA
PR: t05b22n43d0035

MT800B SERIES TRACTORS
COOLING SYSTEM

CORE GP & MOUNTING - 500919D1
3 OF 3



PICTORIAL VIEW



MT800B SERIES TRACTORS
COOLING SYSTEM

119

CORE GP & MOUNTING - 500919D1
3 OF 3

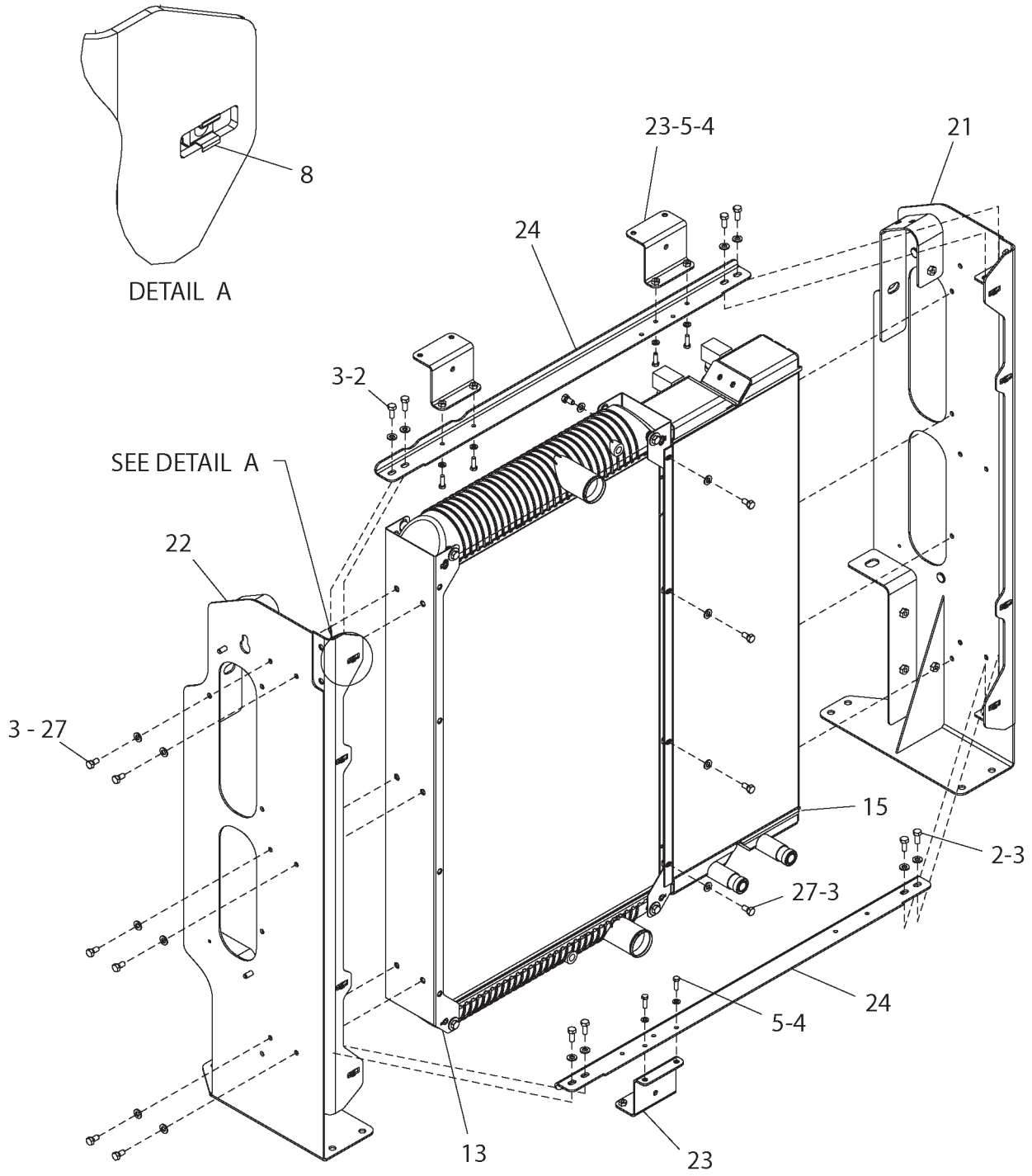
| ITEM | NUMBER | QTY | DESCRIPTION |
|------|------------|-----|---------------------------------------|
| - | 500919D1 | - | CORE GP & MOUNTING [A] (NOT SERVICED) |
| 1 | CH211-3792 | 2 | SPACER |
| 3 | 400039X1 | 12 | BOLT-M10X1.5X25 ZNDI HHD 10.9 |
| 4 | 400287X1 | 8 | WASHER-HARD 11IDX21ODX2.5 ZND1 |
| 5 | 400357X1 | 4 | WASHER-HARD-M12X25.50DX3THK |
| 6 | 400379X1 | 4 | WASHER-10.5IDX30ODX2.5MM ZNDI |
| 8 | 500508D1 | 2 | KNOB-M10 |
| 9 | 500602D1 | 4 | SPACER-10.3 ID X 20.5OD X 6 ZN |
| 16 | 500913D1 | 1 | CORE AS.-CHARGE AIR COOLER |
| 18 | 500915D1 | 1 | CORE AS.-CONDENSER & FUEL |
| 24 | 501018D1 | 4 | BRACKET AS. |
| 26 | CH8T-4244 | 2 | NUT-M12X1.75 HEX ZN |
| 29 | 400064X1 | 2 | BOLT-M12X1.75X35 ZNDI HHD 10.9 |

PART OF 500920D1 COOLER GP

500919CA
PR: t05b22n43d0036

MT800B SERIES TRACTORS
COOLING SYSTEM

CORE GP-MOUNTING & - 502540D1
1 OF 3
MT875B



MT800B SERIES TRACTORS
COOLING SYSTEM

121

CORE GP-MOUNTING & - 502540D1
1 OF 3
MT875B

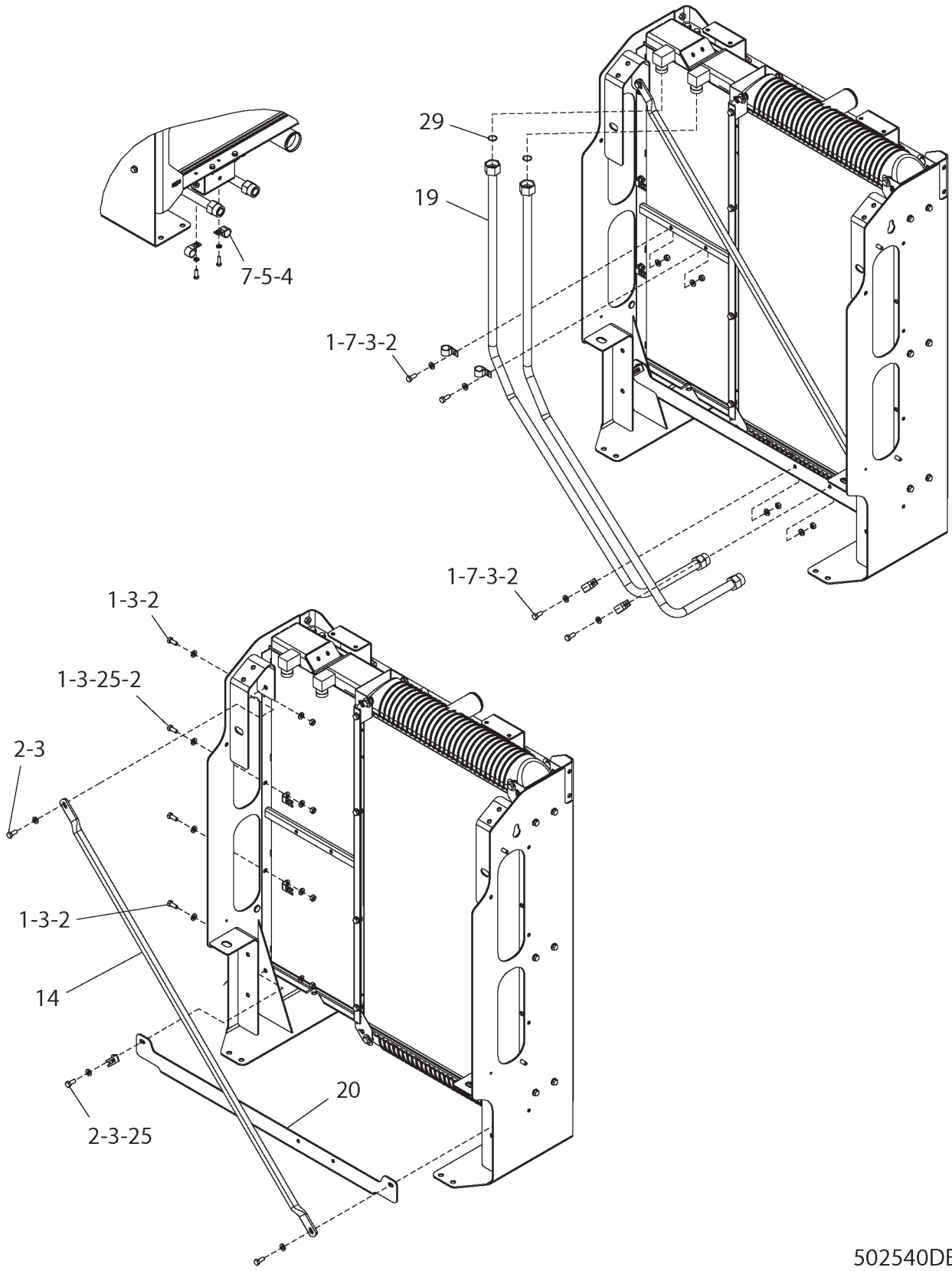
| ITEM | NUMBER | QTY | DESCRIPTION |
|------|----------|-----|---------------------------------------|
| - | 502540D1 | - | CORE GP-MOUNTING & [A] (NOT SERVICED) |
| 2 | 400039X1 | 27 | BOLT-M10X1.5X25 |
| 3 | 400287X1 | 49 | WASHER-HARD 11IDX21ODX2.5 ZND1 |
| 4 | 400339X1 | 8 | WASHER-HARD |
| 5 | 400341X1 | 8 | BOLT-HEX HEAD |
| 8 | 400958X1 | 8 | CAGE NUT-M10 |
| 13 | 500918D1 | 1 | CORE AS.-RADIATOR |
| 15 | 502541D1 | 1 | CORE AS-OIL COOLER |
| 21 | 502701D1 | 1 | SUPPORT AS.-RH |
| 22 | 502702D1 | 1 | SUPPORT AS.-LH |
| 23 | 502717D1 | 3 | BRACKET AS. |
| 24 | 502718D1 | 2 | BRACE |
| 27 | 400040X1 | 18 | BOLT-M10X1.5X20 |

PART OF 502579D1 COOLER GP-MTG

502540DA
PR: t05b22n43d0037

MT800B SERIES TRACTORS
COOLING SYSTEM

CORE GP-MOUNTING & - 502540D1
2 OF 3
MT875B



**MT800B SERIES TRACTORS
COOLING SYSTEM**

123

**CORE GP-MOUNTING & - 502540D1
2 OF 3
MT875B**

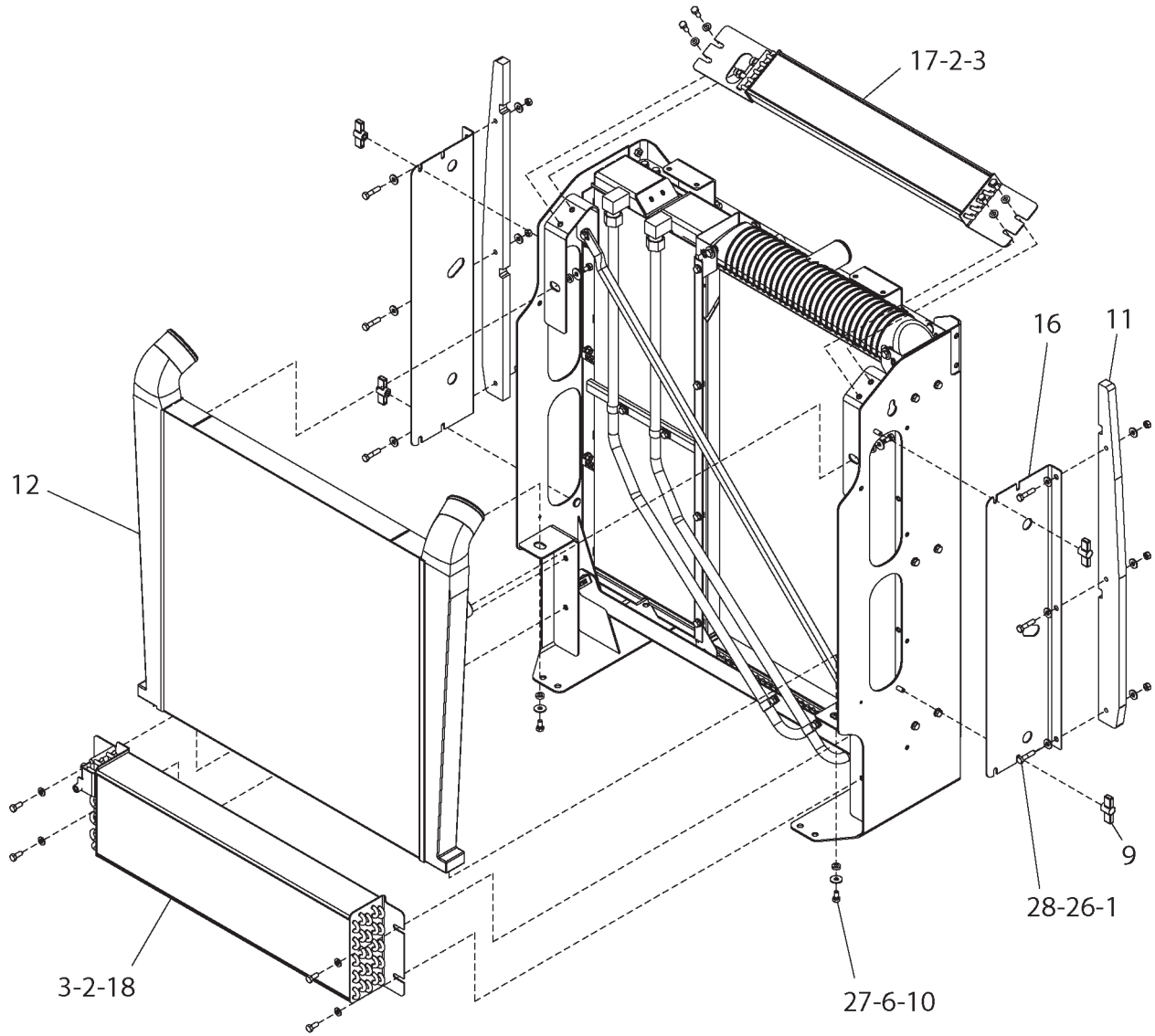
| ITEM | NUMBER | QTY | DESCRIPTION |
|------|------------|-----|---------------------------------------|
| - | 502540D1 | - | CORE GP-MOUNTING & [A] (NOT SERVICED) |
| 1 | 7774664 | 14 | NUT (M10-1.5) |
| 2 | 400039X1 | 27 | BOLT-M10X1.5X25 |
| 3 | 400287X1 | 49 | WASHER-HARD 11IDX21ODX2.5 ZND1 |
| 4 | 400339X1 | 8 | WASHER-HARD |
| 5 | 400341X1 | 8 | BOLT-HEX HEAD |
| 7 | 400688X1 | 6 | CLIP LOOP 25.4ID |
| 14 | 500954D1 | 1 | BRACE-TUBE |
| 19 | 502637D1 | 2 | TUBE AS. |
| 20 | 502700D1 | 1 | BRACE |
| 25 | CH132-5789 | 3 | CLIP-LADDER 90DEGX47.5MM V COAT |
| 29 | 400123X1 | 2 | SEAL-O RING-27.22ODX1.78 DIA |

PART OF 502579D1 COOLER GP-MTG

502540DB
PR: t05b22n43d0038

MT800B SERIES TRACTORS
COOLING SYSTEM

CORE GP-MOUNTING & - 502540D1
3 OF 3
MT875B



**MT800B SERIES TRACTORS
COOLING SYSTEM**

125

**CORE GP-MOUNTING & - 502540D1
3 OF 3
MT875B**

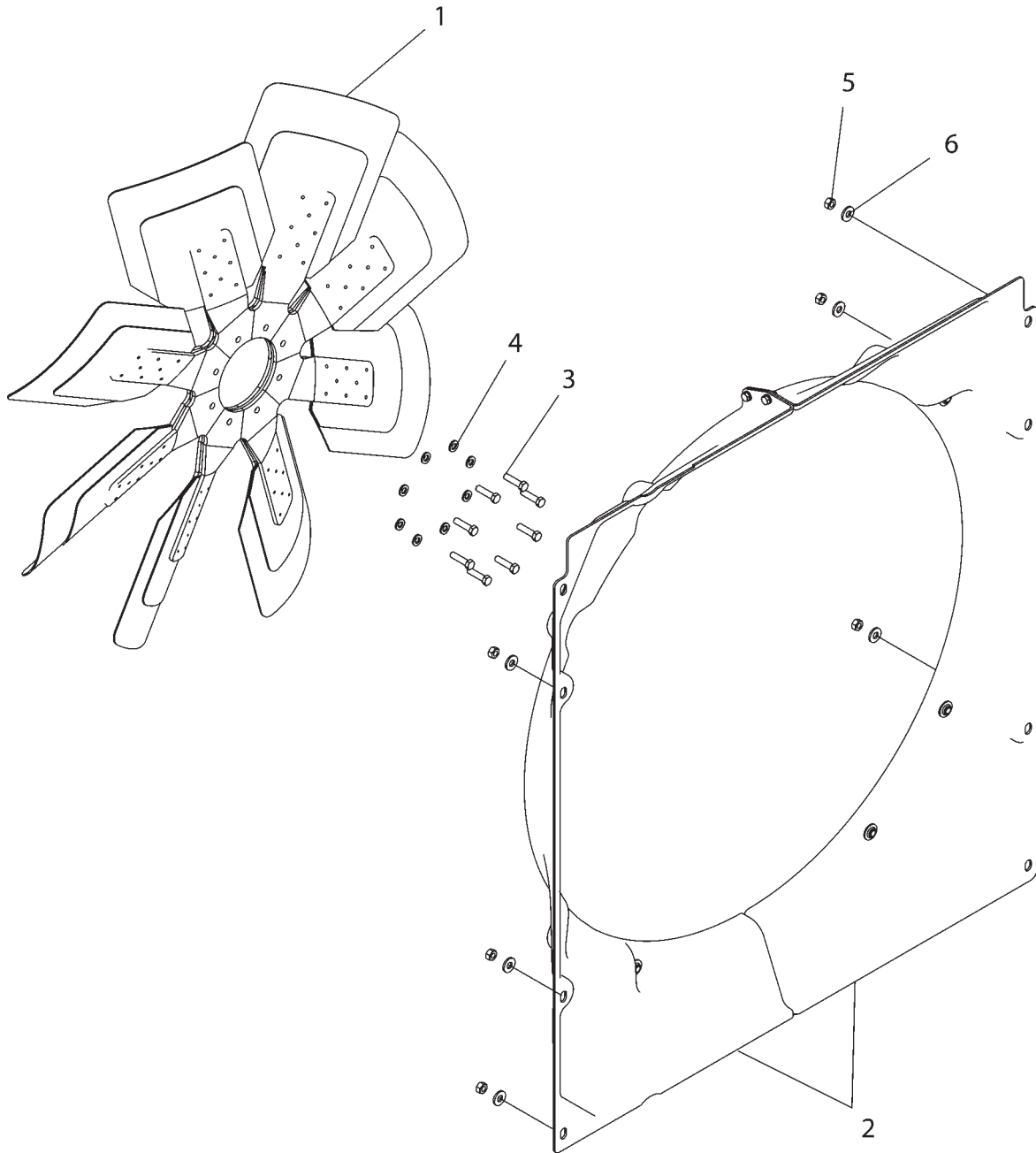
| ITEM | NUMBER | QTY | DESCRIPTION |
|------|-----------|-----|---------------------------------------|
| - | 502540D1 | - | CORE GP-MOUNTING & [A] (NOT SERVICED) |
| 1 | 7774664 | 14 | NUT (M10-1.5) |
| 2 | 400039X1 | 27 | BOLT-M10X1.5X25 |
| 3 | 400287X1 | 49 | WASHER-HARD 11IDX21ODX2.5 ZND1 |
| 6 | 400379X1 | 4 | WASHER-10.5IDX30ODX2.5MM ZNDI |
| 9 | 500508D1 | 4 | KNOB-M10 |
| 10 | 500602D1 | 4 | SPACER-10.3IDX20.5ODX6 ZN |
| 11 | 500615D1 | 2 | GUIDE-HOOD |
| 12 | 500913D1 | 1 | CORE AS.-CHARGE AIR COOLER |
| 16 | 502582D1 | 2 | PLATE- COVER |
| 17 | 502583D1 | 1 | CORE AS-FUEL COOLER |
| 18 | 502591D1 | 1 | CORE AS-CONDENSER |
| 26 | CH7X-7729 | 12 | WASHER-11IDX5ODX3MM |
| 27 | 400040X1 | 18 | BOLT-M10X1.5X20 |
| 28 | 400049X1 | 6 | BOLT-M10X1.5X45 |

PART OF 502579D1 COOLER GP-MTG

502540DC
PR: t05b22n43d0039

MT800B SERIES TRACTORS
COOLING SYSTEM

FAN GP-ENGINE - 206-6397
MT835B, MT845B, MT855B & MT865B



**MT800B SERIES TRACTORS
COOLING SYSTEM**

127

**FAN GP-ENGINE - 206-6397
MT835B, MT845B, MT855B & MT865B**

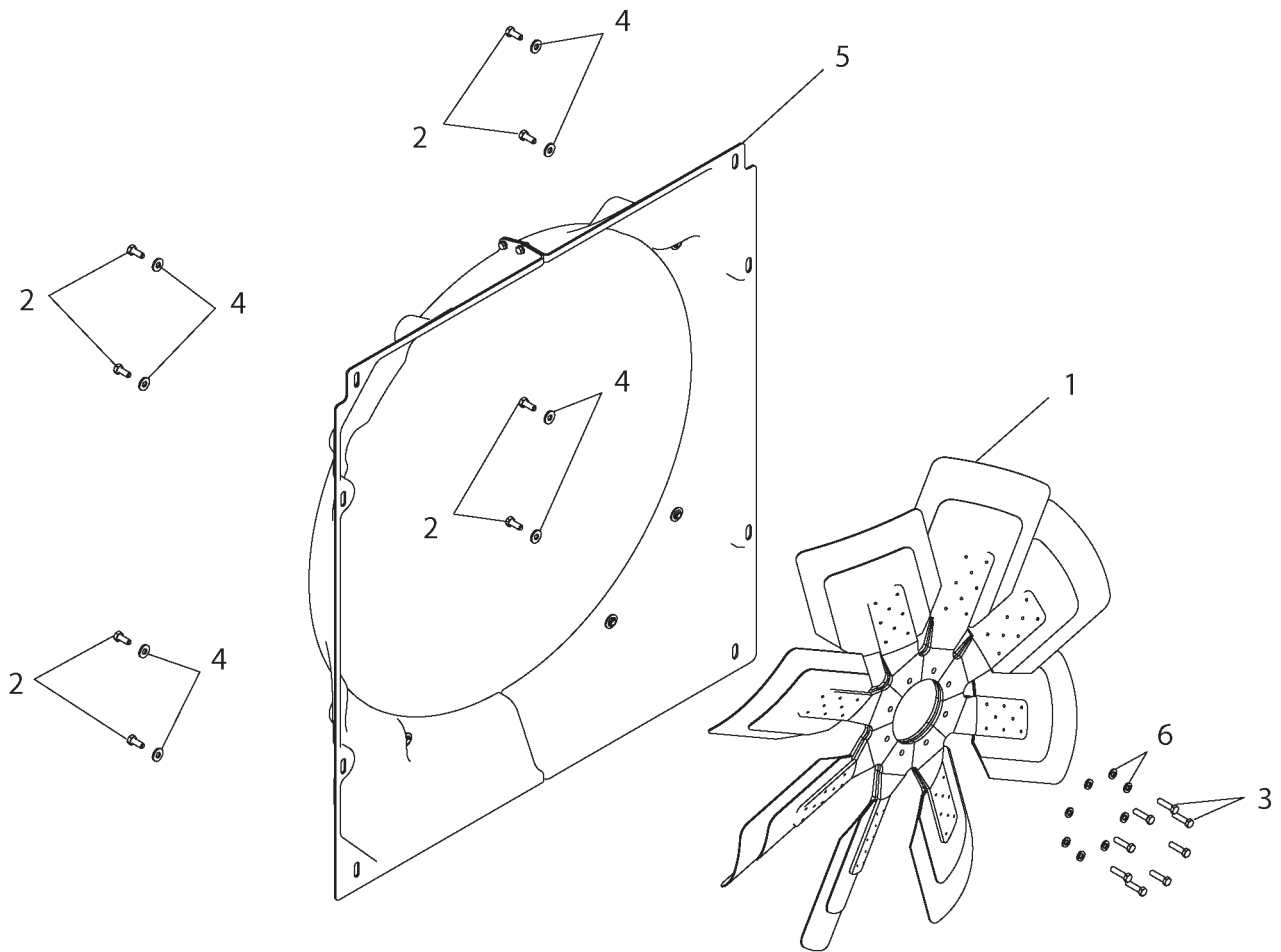
| ITEM | NUMBER | QTY | DESCRIPTION |
|------|------------|-----|---|
| - | 206-6397 | - | FAN GP [A] (NOT SERVICED) |
| 1 | CH204-5041 | 1 | SPIDER-FAN |
| 2 | 212-7187 | 1 | SHROUD GP-RADIATOR (LH & RH SIDES NOT SERVICED SEPARATELY) |
| 3 | 400019X1 | 8 | BOLT (3/8-16X1.5 IN) |
| 4 | CH7X-7729 | 8 | WASHER (11X25X3) |
| 5 | 7774664 | 8 | NUT (M10X1.5) |
| 6 | CH8T-4896 | 8 | WASHER-HARD (10X18.5X2.5) |

[A] PART OF 172-5361;172-5362;172-5363;
172-5364; 501583D1; 501584D1;
501585D1; 501586D1; 501587D1
INSTALLATION AR-ENGINE

2066397A
PR: t05b22n43d0040

MT800B SERIES TRACTORS
COOLING SYSTEM

FAN GP-ENGINE - 502738D1
MT875B



502738DA

**MT800B SERIES TRACTORS
COOLING SYSTEM**

129

**FAN GP-ENGINE - 502738D1
MT875B**

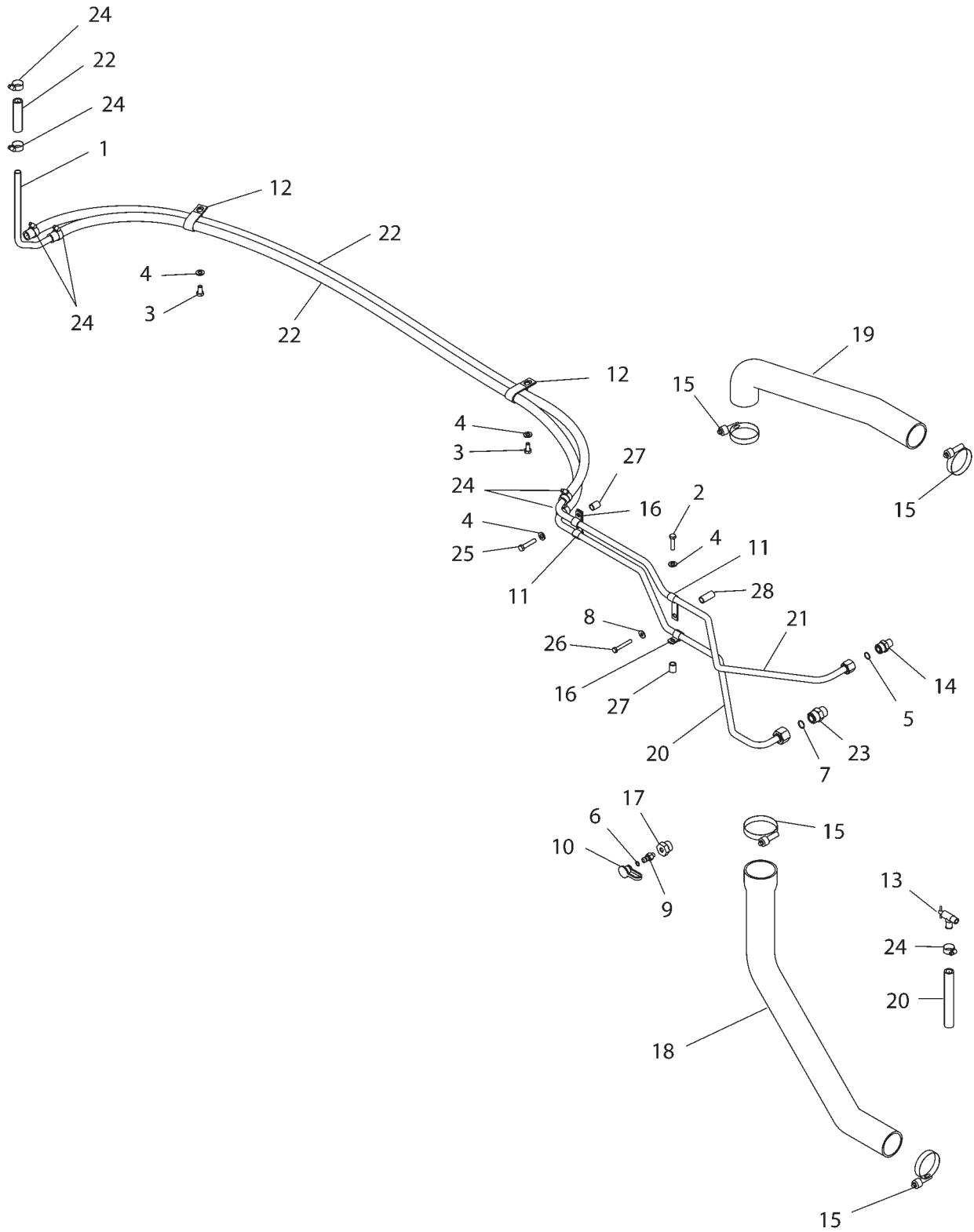
| ITEM | NUMBER | QTY | DESCRIPTION |
|------|------------|-----|---|
| - | 502738D1 | - | FAN GP [A] (NOT SERVICED) |
| 1 | CH204-5041 | 1 | SPIDER-FAN |
| 2 | 400039X1 | 1 | BOLT (M10X1.5X25) |
| 3 | 400019X1 | 8 | BOLT (3/8-16X1.5 IN) |
| 4 | CH7X-7729 | 8 | WASHER (11X25X3) |
| 5 | 502586D1 | 1 | SHROUD GP-RADIATOR (LH & RH SIDES NOT SERVICED SEPARATELY) |
| 6 | CH8T-4896 | 8 | WASHER-HARD (10X18.5X2.5) |

[A] PART OF:
501587D1 INSTALLATION AR-ENGINE

502738DA
PR: t05b22n43d0041

MT800B SERIES TRACTORS
COOLING SYSTEM

LINES GP-COOLANT - 502557D1
MT835B, MT845B, MT855B & MT865B



**MT800B SERIES TRACTORS
COOLING SYSTEM**

131

**LINES GP-COOLANT - 502557D1
MT835B, MT845B, MT855B & MT865B**

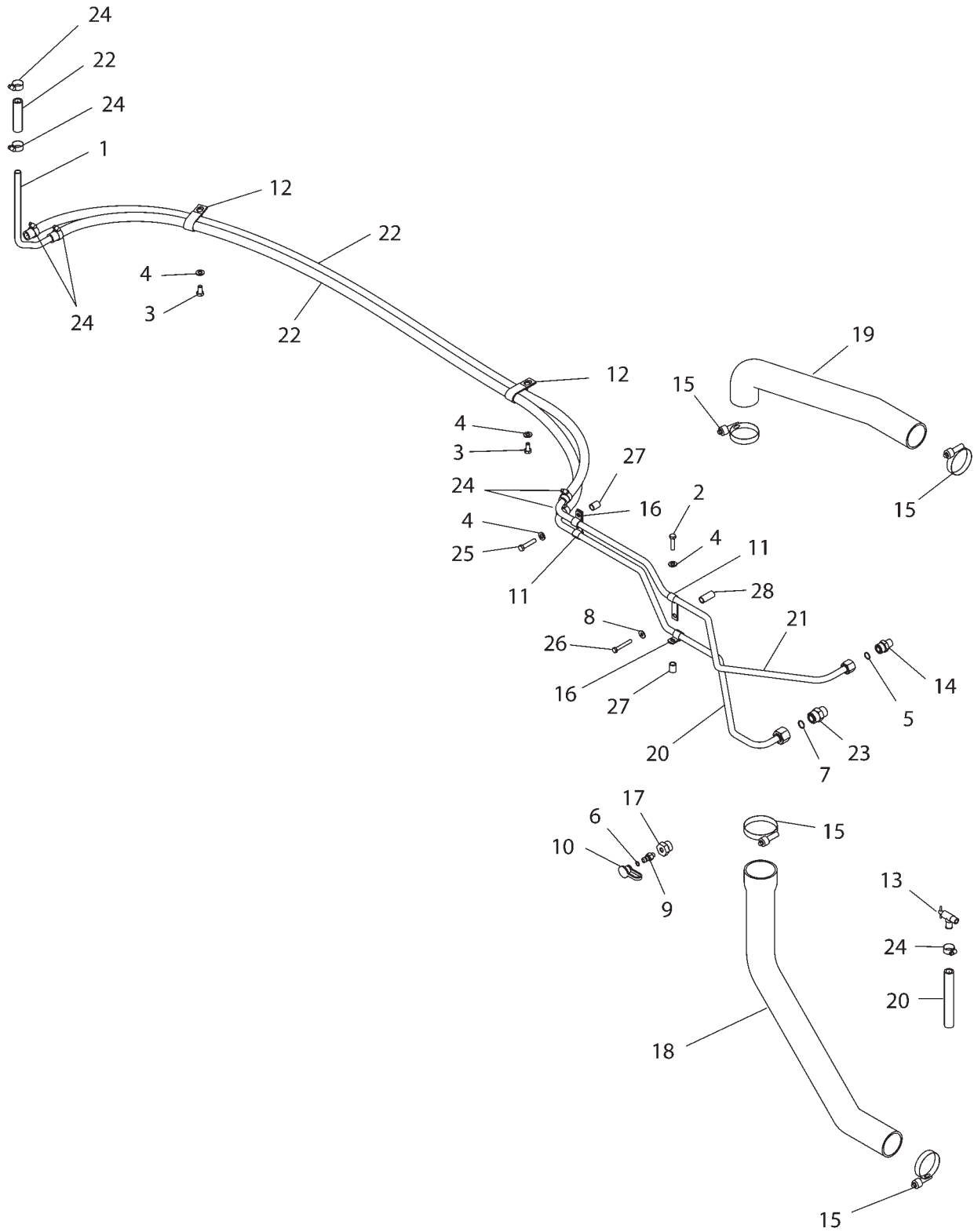
| ITEM | NUMBER | QTY | DESCRIPTION |
|------|------------|-----|-------------------------------------|
| - | 502557D1 | - | LINES GP-COOLANT [A] (NOT SERVICED) |
| 1 | 195-4519 | 1 | TUBE |
| 2 | 400019X1 | 1 | BOLT-3/8-16X38.1 ZNDI HHD 10.9 |
| 3 | 400040X1 | 2 | BOLT-M10X1.5X20 ZNDI HHD 10.9 |
| 4 | 400287X1 | 4 | WASHER-HARD 11IDX21ODX2.5 ZND1 |
| 5 | 400322X1 | 1 | SEAL-O-RING 19.28 ODX1.78 DIA |
| 6 | 400361X1 | 1 | SEAL-O-RING 8.92 IDX1.83 DIA |
| 7 | 400366X1 | 1 | SEAL-O-RING 22.5 ODX1.78 DIA |
| 8 | 400599X1 | 1 | WASHER-HARD,M8X20.5ODX2THK |
| 9 | 400653X1 | 1 | VALVE-FLUID SAMPLING 4 STOR |
| 10 | 400655X1 | 1 | CAP-DUST (ENGINE COOLANT) |
| 11 | 400657X1 | 2 | CLIP-ONE TUBE-COATED |
| 12 | 400667X1 | 2 | CLIP-TWO TUBE COATED |
| 13 | 400669X1 | 1 | COCK-SHUT OFF |
| 14 | 400693X1 | 1 | ADAPTER-STR,0.50MNPTFX-10MORFS |
| 15 | 400699X1 | 4 | CLAMP-HOSE (UNIFORM LOAD) |
| 16 | 400702X1 | 2 | CLIP-ONE TUBE COATED |
| 17 | 400952X1 | 1 | ADAPTOR-12 STOR-4 STOK |
| 18 | 500938D1 | 1 | HOSE-RADIATOR (OUTLET) |
| 19 | 502529D1 | 1 | HOSE-RADIATOR (INLET) |
| 20 | 502556D1 | 1 | TUBE AS. |
| 21 | 502575D1 | 1 | TUBE AS. |
| 22 | CH5P-0767 | - | HOSE-BULK 15.88 ID (448CM) |
| 23 | CH6V-8637 | 1 | CONNECTOR-12 ORFSX 12STOR |
| 24 | 400108X1 | 7 | CLAMP-HOSE SST 15.9-26.9X13.5 |
| 25 | 400175X1 | 1 | BOLT-3/8-16X47.6 ZNDI HHD 10.9 |
| 26 | 400247X1 | 1 | BOLT-5/16-18X57.1 ZNDI HHD10.9 |
| 27 | CH209-3394 | 2 | SPACER-17.14ODX12.52IDX22.4 ZN |
| 28 | CH209-3395 | 1 | SPACER-17.14ODX12.52IDX40 ZN |

[A] PART OF:
501583D1; 501854D1; 501585D1;
501586D1 INSTALLATION AR

502557DB
PR: t05b22n43d0042

MT800B SERIES TRACTORS
COOLING SYSTEM

LINES GP-COOLANT - 502580D1
MT875B



**MT800B SERIES TRACTORS
COOLING SYSTEM**

133

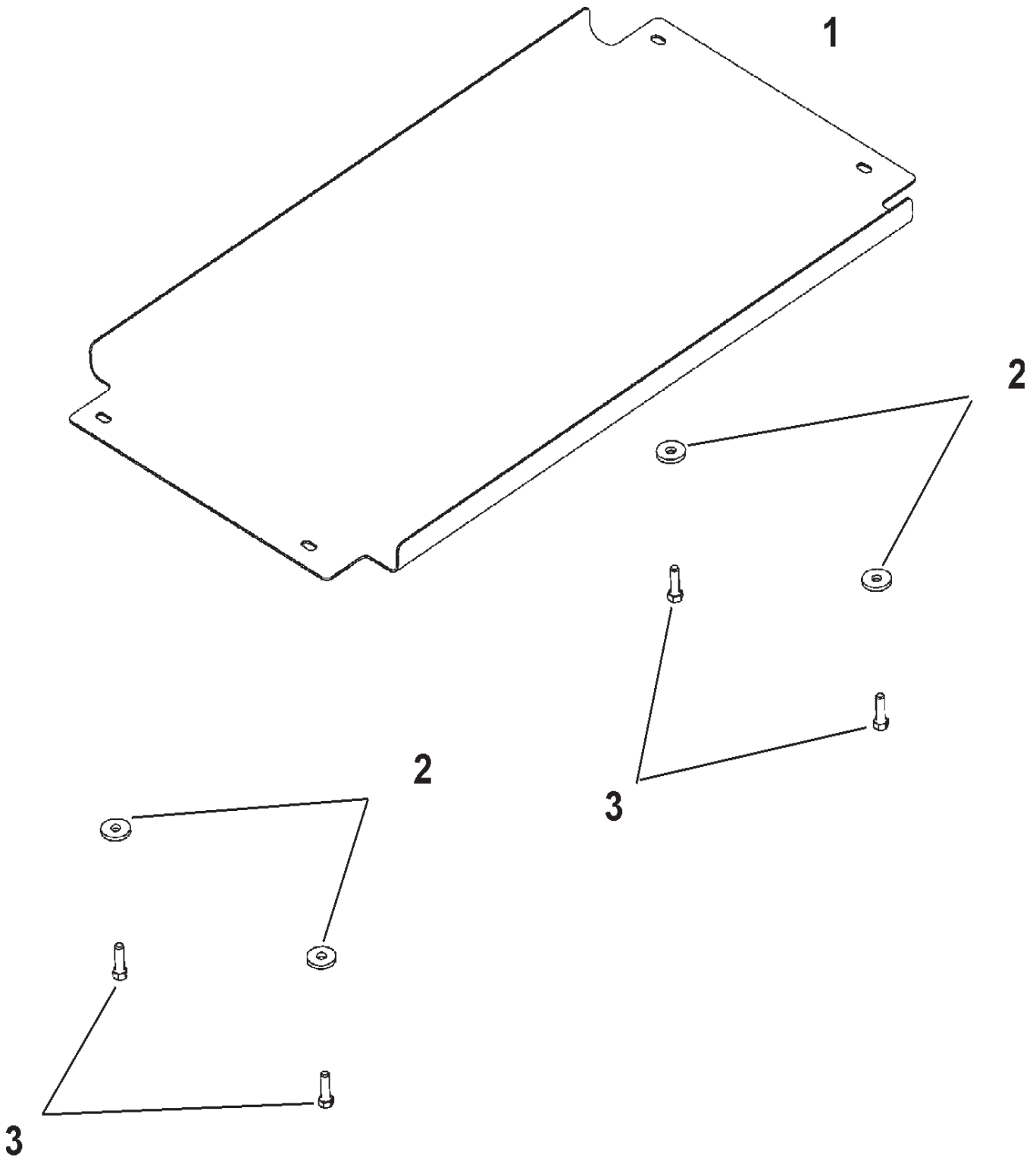
**LINES GP-COOLANT - 502580D1
MT875B**

| ITEM | NUMBER | QTY | DESCRIPTION |
|------|------------|-----|-------------------------------------|
| - | 502580D1 | - | LINES GP-COOLANT [A] (NOT SERVICED) |
| 1 | 195-4519 | 1 | TUBE |
| 2 | 400019X1 | 1 | BOLT-3/8-16X38.1 ZNDI HHD 10.9 |
| 3 | 400040X1 | 2 | BOLT-M10X1.5X20 ZNDI HHD 10.9 |
| 4 | 400287X1 | 4 | WASHER-HARD 11IDX21ODX2.5 ZND1 |
| 5 | 400322X1 | 1 | SEAL-O-RING 19.28 ODX1.78 DIA |
| 6 | 400361X1 | 1 | SEAL-O-RING 8.92 IDX1.83 DIA |
| 7 | 400366X1 | 1 | SEAL-O-RING 22.5 ODX1.78 DIA |
| 8 | 400599X1 | 1 | WASHER-HARD,M8X20.5ODX2THK |
| 9 | 400653X1 | 1 | VALVE-FLUID SAMPLING 4 STOR |
| 10 | 400655X1 | 1 | CAP-DUST (ENGINE COOLANT) |
| 11 | 400657X1 | 2 | CLIP-ONE TUBE-COATED |
| 12 | 400667X1 | 2 | CLIP-TWO TUBE COATED |
| 13 | 400669X1 | 1 | COCK-SHUT OFF |
| 14 | 400693X1 | 1 | ADAPTER-STR,0.50MNPTFX-10MORFS |
| 15 | 400699X1 | 4 | CLAMP-HOSE (UNIFORM LOAD) |
| 16 | 400702X1 | 2 | CLIP-ONE TUBE COATED |
| 17 | 400952X1 | 1 | ADAPTOR-12 STOR-4 STOK |
| 18 | 502581D1 | 1 | RADIATOR HOSE (IOUTLET) |
| 19 | 502578D1 | 1 | RADIATOR HOSE (INLET) |
| 20 | 502556D1 | 1 | TUBE AS. |
| 21 | 502575D1 | 1 | TUBE AS. |
| 22 | CH5P-0767 | AR | HOSE-BULK 15.88 ID (448 CM) |
| 23 | CH6V-8637 | 1 | CONNECTOR-12 ORFSX 12STOR |
| 24 | 400108X1 | 7 | CLAMP-HOSE SST 15.9-26.9X13.5 |
| 25 | 400175X1 | 1 | BOLT-3/8-16X47.6 ZNDI HHD 10.9 |
| 26 | 400247X1 | 1 | BOLT-5/16-18X57.1 ZNDI HHD10.9 |
| 27 | CH209-3394 | 2 | SPACER |
| 28 | CH209-3395 | 1 | SPACER |

[A] PART OF 501587D1 INSTALLATION AR

502557DB
PR: t05b22n43d0043

GUARD GP-FAN BLAST - 500038D1



500038D1

**MT800B SERIES TRACTORS
COOLING SYSTEM**

135

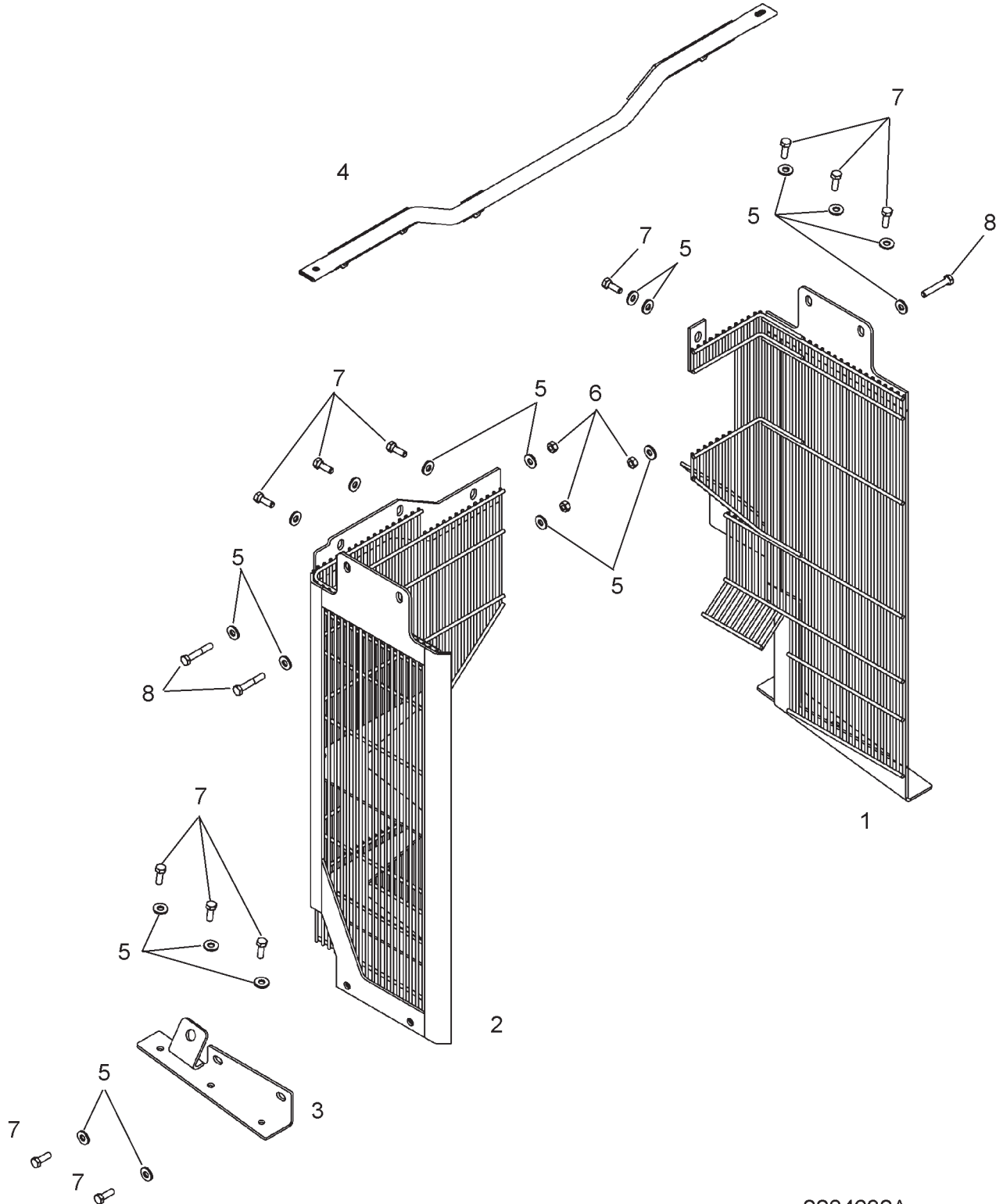
GUARD GP-FAN BLAST - 500038D1

| ITEM | NUMBER | QTY | DESCRIPTION |
|------|-----------|-----|-----------------------------------|
| - | 500038D1 | - | GUARD GP-FAN BLAST (NOT SERVICED) |
| 1 | 204-0627 | 1 | SHIELD-FAN BLAST |
| 2 | CH7X-0618 | 4 | WASHER-HARD (13.5X40X5) |
| 3 | 400064X1 | 4 | BOLT (M12X1.75X35) |

500038D1
PR: t05b22n43d0044

MT800B SERIES TRACTORS
COOLING SYSTEM

GUARD GP-FAN - 228-4632
MT855B & MT865B



MT800B SERIES TRACTORS
COOLING SYSTEM

137

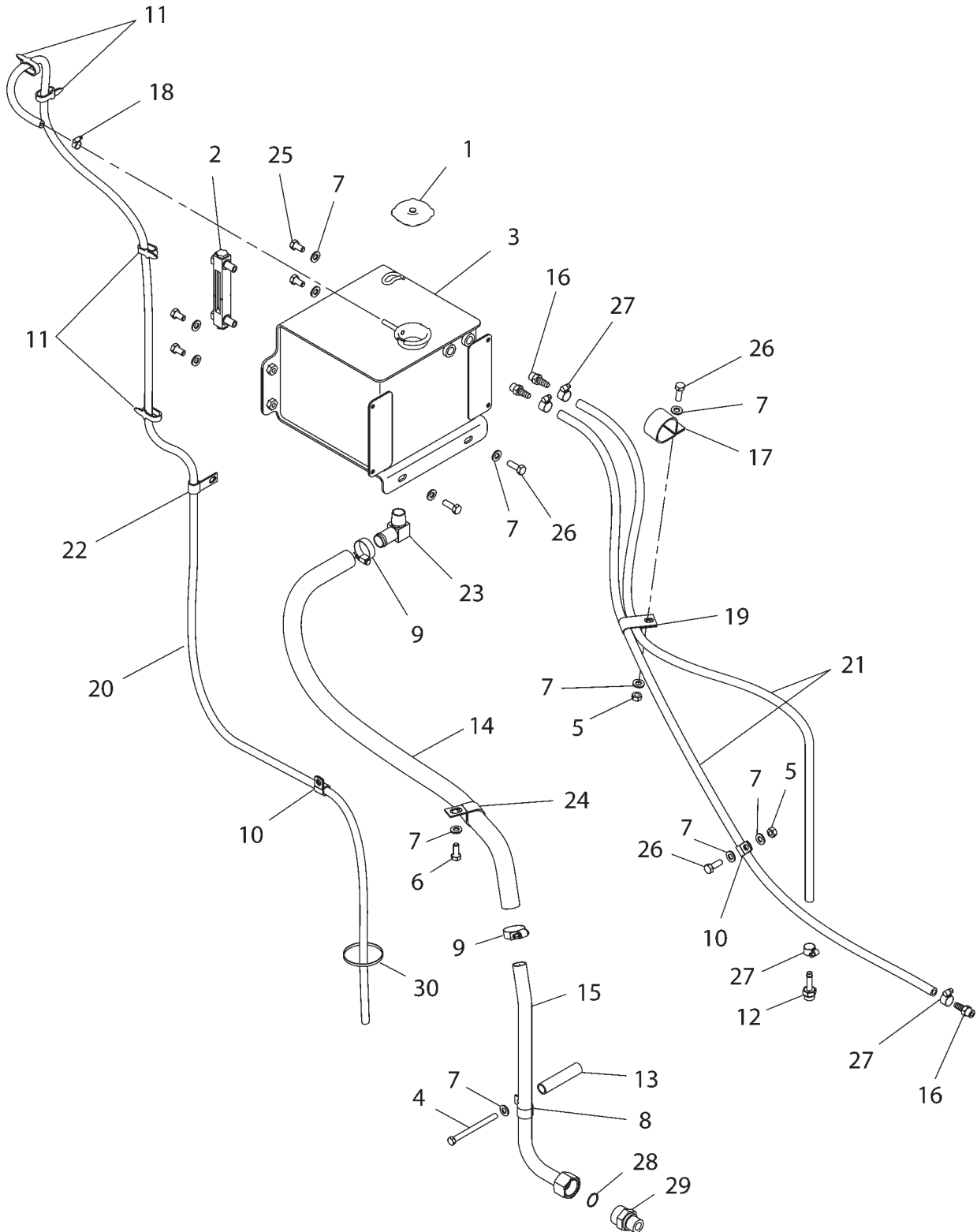
GUARD GP-FAN - 228-4632
MT855B & MT865B

| ITEM | NUMBER | QTY | DESCRIPTION |
|------|-----------|-----|-------------------------------|
| - | 228-4632 | - | GUARD GP-FAN |
| 1 | 227-8224 | 1 | GUARD AS. (LH) |
| 2 | 228-4633 | 1 | GUARD AS. (RH) |
| 3 | 228-4642 | 1 | BRACKET AS. |
| 4 | 228-4643 | 1 | SUPPORT AS. |
| 5 | CH7X-7729 | 19 | WASHER-11IDX5ODX3MM |
| 6 | 8T-4133 | 3 | NUT |
| 7 | 400058X1 | 12 | BOLT-M10X1.5X30 ZNDI HHD |
| 8 | 400239X1 | 3 | BOLT-M10X1.5X60 ZNDI HHD 10.9 |

2284632A
PR: t05b22n43d0045

MT800B SERIES TRACTORS
COOLING SYSTEM

TANK GP-EXPANSION & COOLANT - 502558D1
MT835B, MT845B, MT855B & MT865B



**MT800B SERIES TRACTORS
COOLING SYSTEM**

139

**TANK GP-EXPANSION & COOLANT - 502558D1
MT835B, MT845B, MT855B & MT865B**

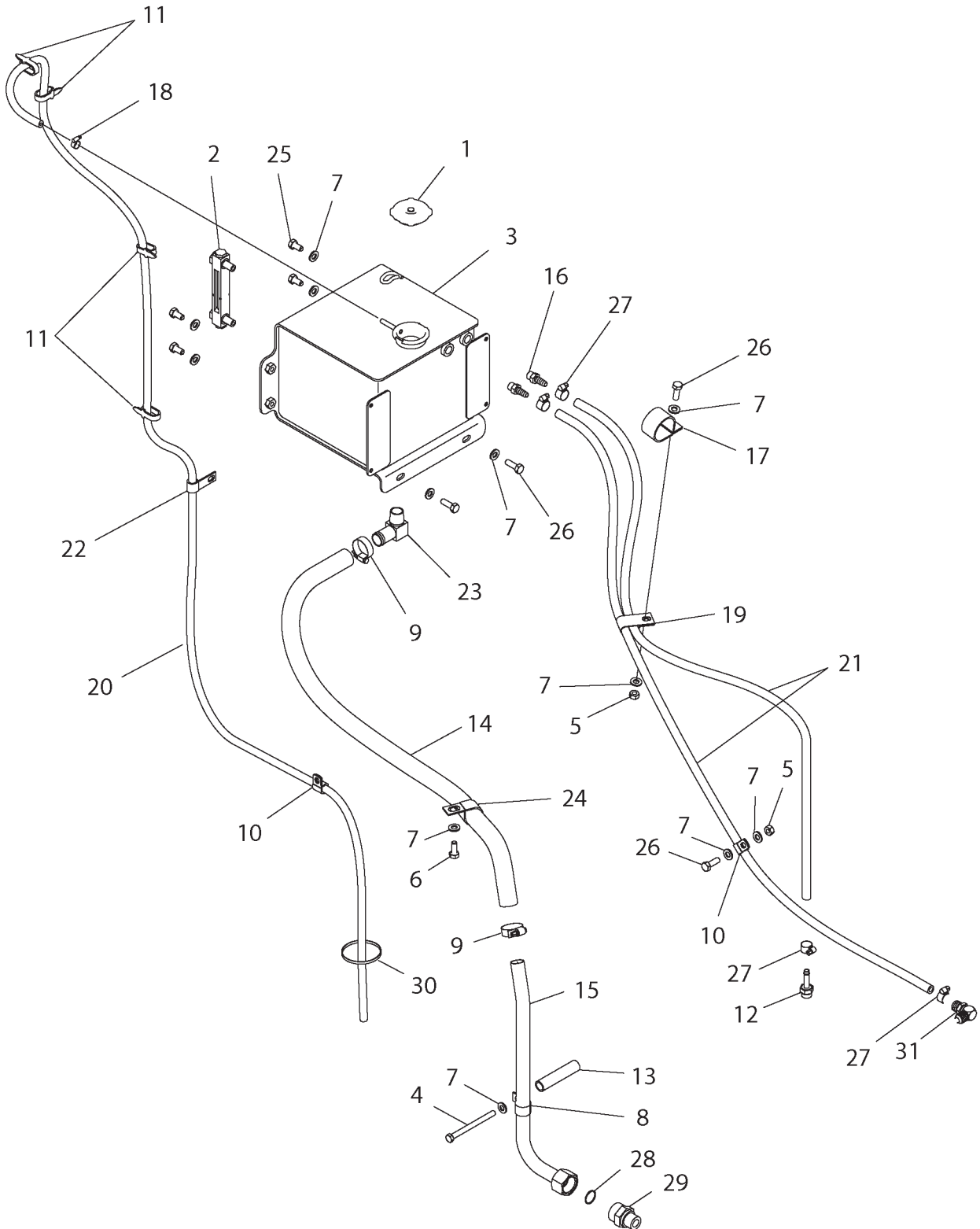
| ITEM | NUMBER | QTY | DESCRIPTION |
|------|------------|-----|--|
| - | 502558D1 | - | TANK GP-EXP & COOLANT [A] (NOT SERVICED) |
| 1 | 031-1119 | 1 | CAP AS-RADIATOR |
| 2 | 201-4653 | 1 | GAGE-SIGHT |
| | CH122-8352 | 4 | SEAL-O-RING (15.54IDX2.62DIA) |
| | CH114-4231 | 2 | BOLT-MTG (1/2-20X2AX45.30MM) |
| 3 | 226-7570 | 1 | TANK AS |
| 4 | WR55149 | 1 | BOLT 3/8-16X114 ZNDI HHD 10.9 |
| 5 | 7774664 | 2 | NUT-M10-1.5,CL10.9,ZN,H,REG |
| 6 | 400039X1 | 1 | BOLT-M10X1.5X25 ZNDI HHD 10.9 |
| 7 | 400287X1 | 12 | WASHER-HARD 11IDX21ODX2.5 ZND1 |
| 8 | 400688X1 | 1 | CLIP LOOP 25.4ID |
| 9 | 400701X1 | 2 | CLAMP-HOSE SST22.2-44.5IDX13.5 |
| 10 | 400702X1 | 2 | CLIP-ONE TUBE COATED |
| 11 | 400837X1 | 4 | STRAP-CABLE (PLASTIC) |
| 12 | 400944X1 | 1 | ADAPTOR-8 M STOR-6 BEADLOCK |
| 13 | 400946X1 | 1 | SPACER |
| 14 | 502070D1 | - | HOSE-COOLANT 25.4MM (100CM) |
| 15 | 502530D1 | 1 | TUBE AS. |
| 16 | CH003-7764 | 3 | CONNECTOR-6 NPTFX9.52 OD BARB |
| 17 | CH105-1866 | 1 | CLIP-LOOP 50.8 ID |
| 18 | CH1P-4278 | 1 | CLAMP-HOSE 5.5-15.88 ID X 8 |
| 19 | CH4D-7733 | 1 | CLIP-LOOP 17.46ID |
| 20 | CH5P-1420 | - | HOSE (BULK) 7.92 DIA (258CM) |
| 21 | CH5P-1442 | - | HOSE-BULK 9.52ID HI TEMP (320CM) |
| 22 | CH6K-8178 | 1 | CLIP-LOOP 15ID |
| 23 | CH7W-1890 | 1 | ELBOW-90DEG.12NPTFX25.4OD BARB |
| 24 | CH8C-8533 | 1 | CLIP-LOOP 34.93ID W/COATING |
| 25 | 400040X1 | 4 | BOLT-M10X1.5X20 ZNDI HHD 10.9 |
| 26 | 400058X1 | 4 | BOLT-M10X1.5X30 ZNDI HHD 10.9 |
| 27 | 400109X1 | 4 | CLAMP-HOSE SST 11.1-19.8X13.5 |
| 28 | 400123X1 | 1 | SEAL-O RING-27.22ODX1.78 DIA |
| 29 | 6V-8714 | 1 | CONNECTOR-ORFS/ORP 25.4 TUBE |
| 30 | CH7K-1181 | 1 | STRAP-CABLE |

[A] PART OF:
501583D1; 501854D1; 501585D1;
501586D1 INSTALLATION AR

502558DA
PR: t05b22n43d0046

MT800B SERIES TRACTORS
COOLING SYSTEM

TANK GP EXPANSION & COOLANT - 502646D1
MT875B



**MT800B SERIES TRACTORS
COOLING SYSTEM**

141

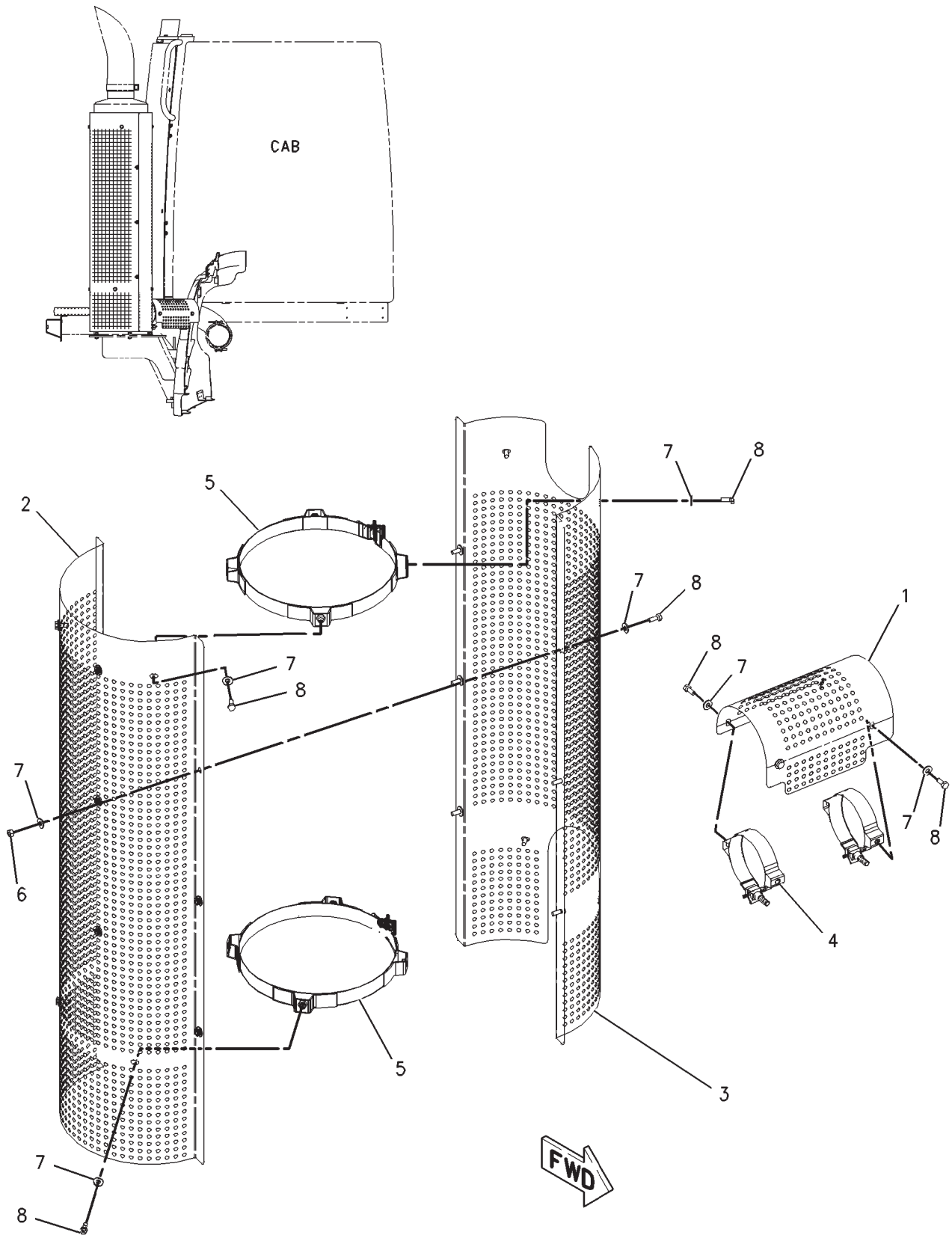
**TANK GP EXPANSION & COOLANT - 502646D1
MT875B**

| ITEM | NUMBER | QTY | DESCRIPTION |
|------|------------|-----|--|
| - | 502646D1 | - | TANK GP EXP & COOLANT [A] (NOT SERVICED) |
| 1 | 031-1119 | 1 | CAP AS-RADIATOR |
| 2 | 201-4653 | 1 | GAGE-SIGHT |
| | CH122-8352 | 4 | SEAL-O-RING (15.54IDX2.62DIA) |
| | CH114-4231 | 2 | BOLT-MTG (1/2-20X2AX45.30MM) |
| 3 | 226-7570 | 1 | TANK AS |
| 4 | WR55149 | 1 | BOLT 3/8-16X114 ZNDI HHD 10.9 |
| 5 | 7774664 | 2 | NUT-M10-1.5,CL10.9,ZN,H,REG |
| 6 | 400039X1 | 1 | BOLT-M10X1.5X25 ZNDI HHD 10.9 |
| 7 | 400287X1 | 13 | WASHER-HARD 11IDX21ODX2.5 ZND1 |
| 8 | 400688X1 | 1 | CLIP LOOP 25.4ID |
| 9 | 400701X1 | 2 | CLAMP-HOSE SST22.2-44.5IDX13.5 |
| 10 | 400702X1 | 3 | CLIP-ONE TUBE COATED |
| 11 | 400837X1 | 4 | STRAP-CABLE (PLASTIC) |
| 12 | 400944X1 | 1 | ADAPTOR-8 M STOR-6 BEADLOCK |
| 13 | 400946X1 | 1 | SPACER |
| 14 | 502070D1 | AR | HOSE-COOLANT 25.4MM (100CM) |
| 15 | 502530D1 | 1 | TUBE AS. |
| 16 | CH003-7764 | 2 | CONNECTOR-6 NPTFX9.52 OD BARB |
| 17 | CH105-1866 | 1 | CLIP-LOOP 50.8 ID |
| 18 | CH1P-4278 | 1 | CLAMP-HOSE 5.5-15.88 ID X 8 |
| 19 | CH4D-7733 | 1 | CLIP-LOOP 17.46ID |
| 20 | CH5P-1420 | AR | HOSE (BULK) 7.92 DIA (258CM) |
| 21 | CH5P-1442 | AR | HOSE-BULK 9.52ID HI TEMP (320CM) |
| 22 | CH6K-8178 | 1 | CLIP-LOOP 15ID |
| 23 | CH7W-1890 | 1 | ELBOW-90DEG.12NPTFX25.4OD BARB |
| 24 | CH8C-8533 | 1 | CLIP-LOOP 34.93ID W/COATING |
| 25 | 400040X1 | 4 | BOLT-M10X1.5X20 ZNDI HHD 10.9 |
| 26 | 400058X1 | 5 | BOLT-M10X1.5X30 ZNDI HHD 10.9 |
| 27 | 400109X1 | 4 | CLAMP-HOSE SST 11.1-19.8X13.5 |
| 28 | 400123X1 | 1 | SEAL-O RING-27.22ODX1.78 DIA |
| 29 | 6V-8714 | 1 | CONNECTOR-ORFS/ORP 25.4 TUBE |
| 30 | CH7K-1181 | 1 | STRAP-CABLE 0.19-4.00 |
| 31 | CH006-5490 | 1 | ELBOW-90DEG 6MPTF X 9.52 BARB |

PART OF 501587D1 INSTALLATION AR

502646DA
PR: t05b22n43d0047

SHIELD GP-EXHAUST - 218-2883
EAME - ITALIAN MARKET



**MT800B SERIES TRACTORS
AIR INLET AND EXHAUST SYSTEM**

143

**SHIELD GP-EXHAUST - 218-2883
EAME - ITALIAN MARKET**

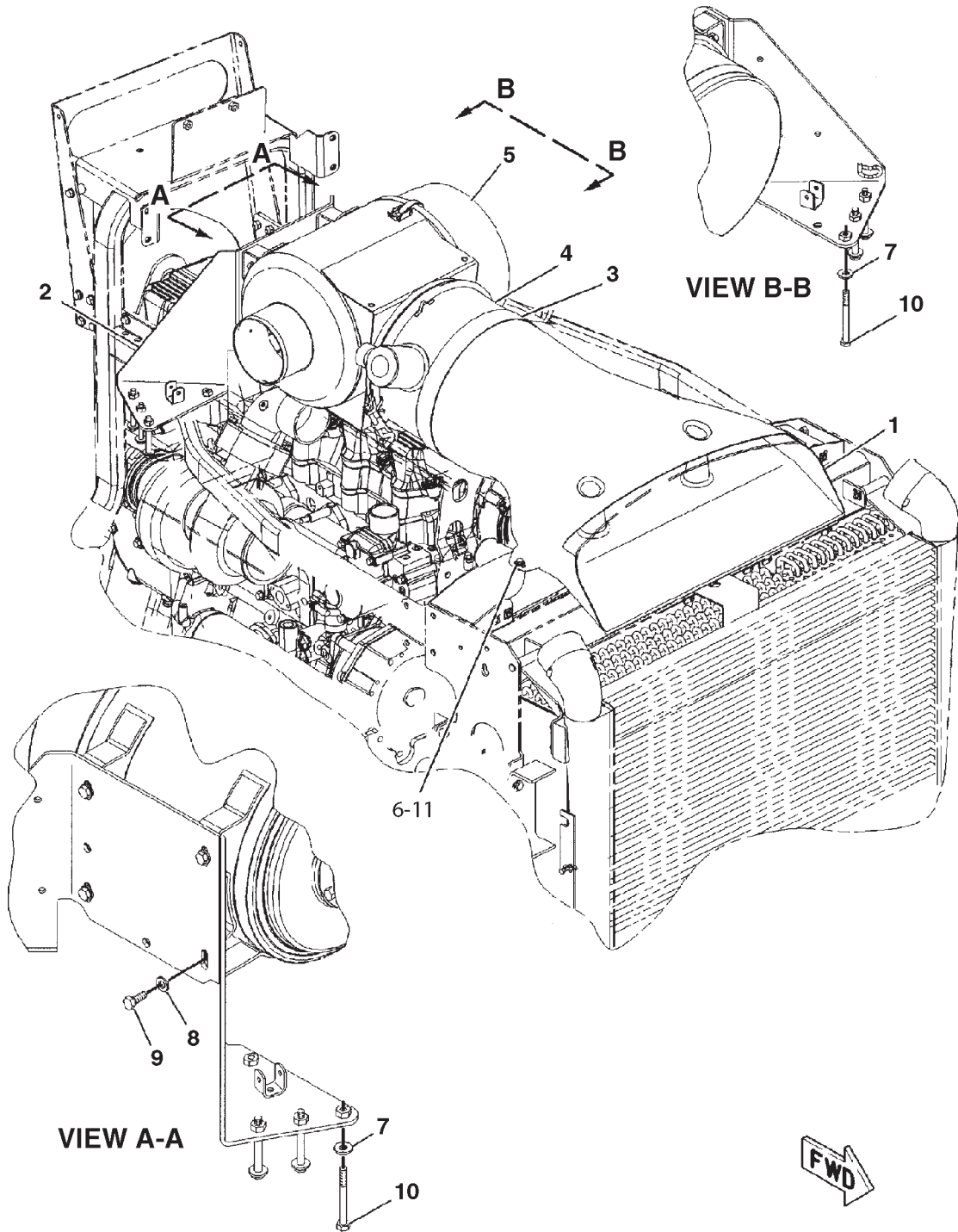
| ITEM | NUMBER | QTY | DESCRIPTION |
|------|------------|-----|--------------------------------------|
| - | 218-2883 | - | SHIELD GP-EXHAUST [A] (NOT SERVICED) |
| 1 | 218-2886 | 1 | SHIELD |
| 2 | 218-2888 | 1 | SHIELD |
| 3 | 218-2889 | 1 | SHIELD |
| 4 | CH218-2891 | 2 | CLAMP |
| 5 | CH218-2892 | 2 | CLAMP |
| 6 | 400340X1 | 6 | NUT (M8X1.25) |
| 7 | 400599X1 | 24 | WASHER-HARD (8.8X20.5X2) |
| 8 | 400053X1 | 18 | BOLT (M8X1.25X20MM) |

[A] PART OF:
179-2257 COMPLETING AR-ITALIAN

00894235
PR: t05b22n43d0048

MT800B SERIES TRACTORS
AIR INLET AND EXHAUST SYSTEM

AIR CLEANER GP - 172-5337
(MT835B & MT845B)



0869409A

**MT800B SERIES TRACTORS
AIR INLET AND EXHAUST SYSTEM**

145

**AIR CLEANER GP - 172-5337
(MT835B & MT845B)**

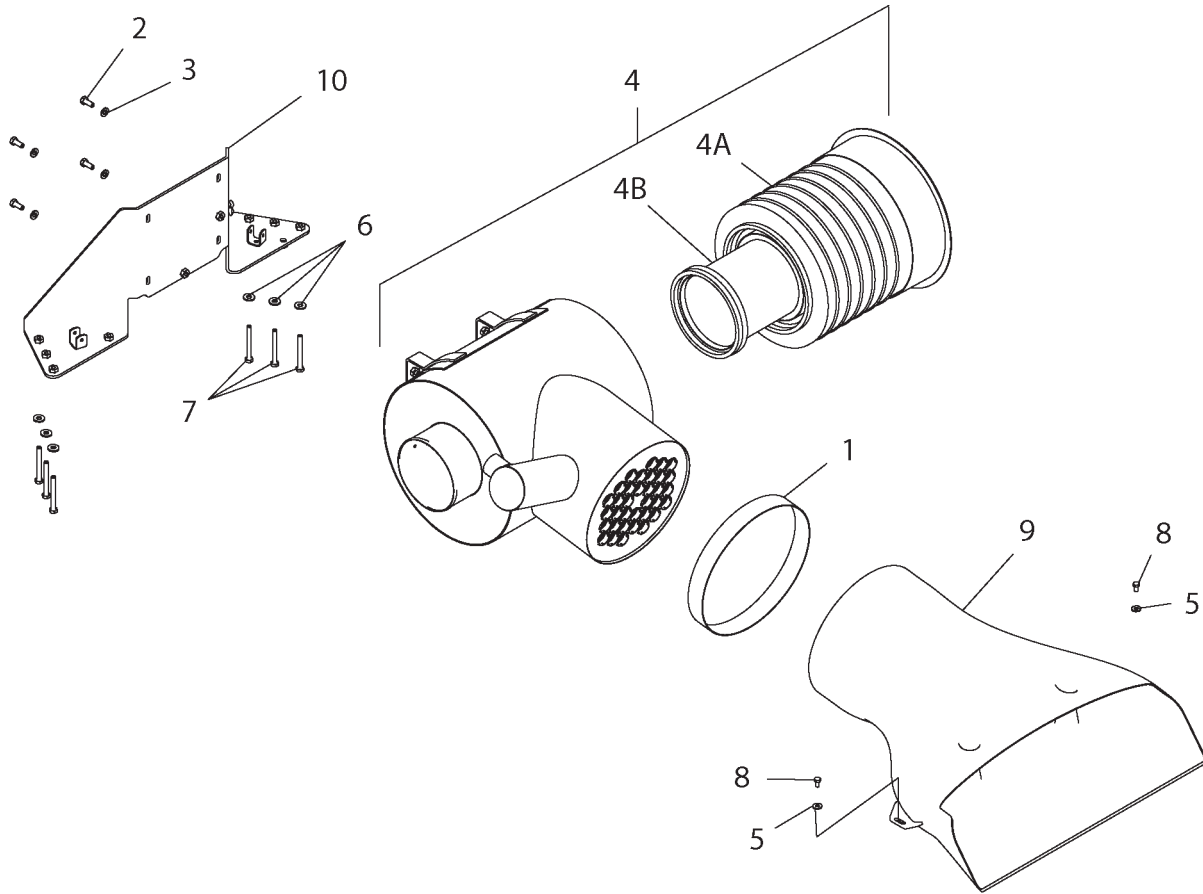
| ITEM | NUMBER | QTY | DESCRIPTION |
|------|-----------|-----|--|
| - | 172-5337 | - | AIR CLEANER GP [A] (NOT SERVICED) |
| 1 | 191-5988 | 1 | DUCT-INLET |
| 2 | 192-6460 | 1 | BRACKET ASM |
| 3 | 193-1423 | 1 | SEAL |
| 4 | 196-4055 | 1 | BODY-PRECLEANER |
| 5 | 196-4056 | 1 | AIR CLEANER GP (SEE BREAKDOWN FOR COMPONENTS) |
| 6 | 400599X1 | 2 | WASHER-HARD (8.8X20.5X2) |
| 7 | CH7X-7729 | 6 | WASHER (11X25X3) |
| 8 | 400287X1 | 4 | WASHER-HARD (11X21X2.5) |
| 9 | 400039X1 | 4 | BOLT (M10X1.5X25MM) |
| 10 | 400225X1 | 6 | BOLT (M10X1.5X90MM) |
| 11 | 400227X1 | 2 | BOLT (M8X1.25X16MM) |

[A] PART OF 172-5363; 172-5364;
187-1743; 187-1744;
501583D1; 501584D1
INSTALLATION AR-ENGINE

0869409A
PR: t05b22n43d0049

MT800B SERIES TRACTORS
AIR INLET AND EXHAUST SYSTEM

AIR CLEANER GP - 501578D1
(MT855B, MT865B & MT875B)



501578DA

**MT800B SERIES TRACTORS
AIR INLET AND EXHAUST SYSTEM**

147

**AIR CLEANER GP - 501578D1
(MT855B, MT865B & MT875B)**

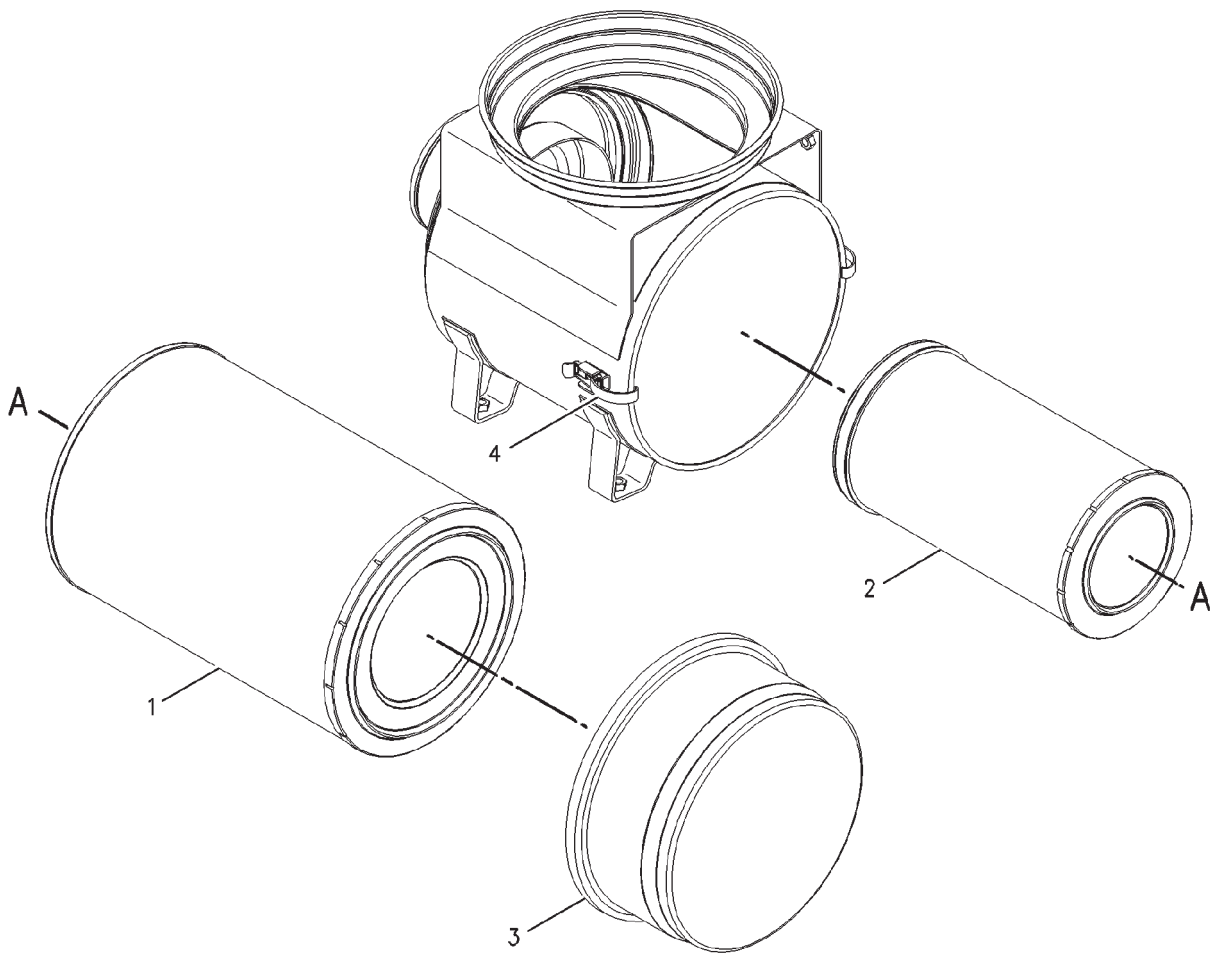
| ITEM | NUMBER | QTY | DESCRIPTION |
|------|-----------|-----|-----------------------------------|
| - | 501578D1 | - | AIR CLEANER GP [A] (NOT SERVICED) |
| 1 | 193-1423 | 1 | SEAL |
| 2 | 400039X1 | 4 | BOLT (M10X1.5X25MM) |
| 3 | 400287X1 | 4 | WASHER-HARD (11X21X2.5) |
| 4 | 501822D1 | 1 | AIR CLEANER AS (INCLS 4A & 4B) |
| 4A | 501772D1 | 1 | ELEMENT AS-PRIMARY |
| 4B | 501773D1 | 1 | ELEMENT AS-SECONDARY |
| 5 | 400599X1 | 2 | WASHER-HARD (8.8X20.5X2) |
| 6 | CH7X-7729 | 6 | WASHER (11X25X3) |
| 7 | 400225X1 | 6 | BOLT (M10X1.5X90MM) |
| 8 | 400227X1 | 2 | BOLT (M8X1.25X16MM) |
| 9 | 191-5988 | 1 | DUCT-INLET |
| 10 | 192-6460 | 1 | BRACKET ASM |

[A] PART OF 501585D1; 501586D1;
501587D1 INSTALLATION AR-ENGINE

501578DA
PR: t05b22n43d0050

MT800B SERIES TRACTORS
AIR INLET AND EXHAUST SYSTEM

AIR CLEANER AS-BASIC - 196-4056
(MT855 & MT865)



MT800B SERIES TRACTORS
AIR INLET AND EXHAUST SYSTEM

149

AIR CLEANER AS-BASIC - 196-4056
(MT855 & MT865)

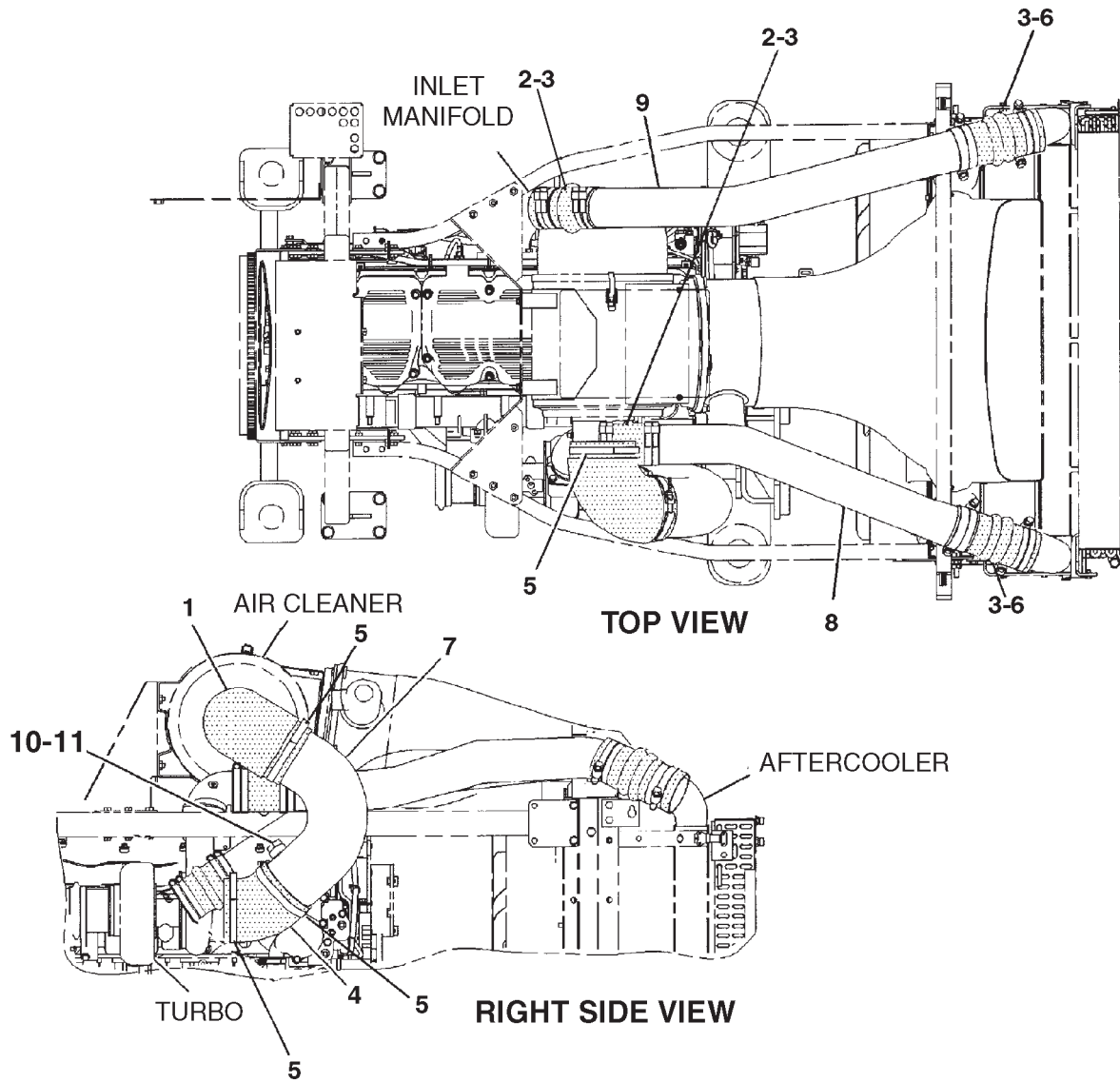
| ITEM | NUMBER | QTY | DESCRIPTION |
|------|------------|-----|---|
| - | 196-4056 | - | AIR CLEANER GP [A] |
| 1 | 504421D1 | 1 | FILTER ELEMENT-AIR (PRIMARY) |
| 2 | 504422D1 | 1 | FILTER ELEMENT-AIR (SECONDARY) |
| 3 | 6I-4467 | 1 | COVER-AIR CLEANER |
| | CH101-2850 | 1 | FILM-AIR CLEANER (RADIAL SEAL) |
| 4 | CH8N-4617 | 2 | KIT-AIR CLEANER CLAMP (SERVICED AS COMPLETE KIT ONLY) (INCLUDES CLIP ASM AND RIVET) |

[A] PART OF 172-5337 AIR CLEANER GP

00874425
PR: t05k07n15a0001

MT800B SERIES TRACTORS
AIR INLET AND EXHAUST SYSTEM

LINES GP-AIR - 500964D1
(MT835B & MT845B)



MT800B SERIES TRACTORS
AIR INLET AND EXHAUST SYSTEM

151

LINES GP-AIR - 500964D1
(MT835B & MT845B)

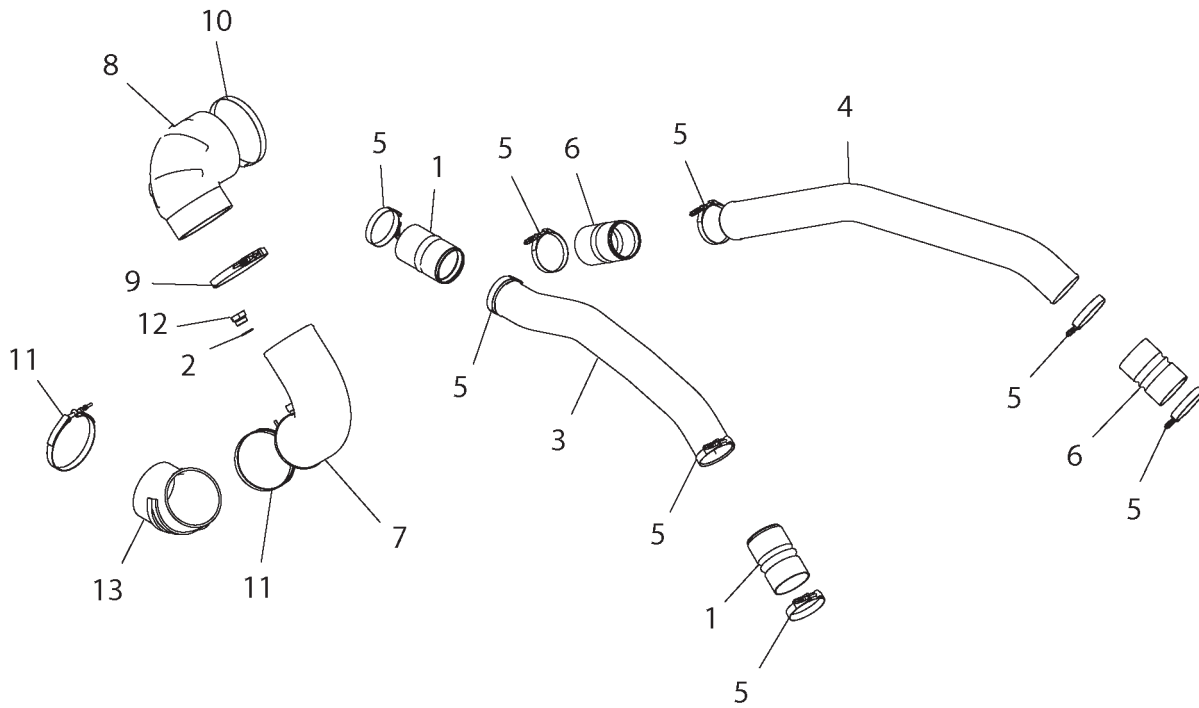
| ITEM | NUMBER | QTY | DESCRIPTION |
|------|------------|-----|---------------------------------------|
| - | 500964D1 | - | LINES GP-AIR [A] (NOT SERVICED) |
| 1 | CH6T-6158 | 1 | ELBOW |
| 2 | 219-8630 | 2 | HOSE-HUMP |
| 3 | 9X-2201 | 16 | CLAMP-HOSE |
| 4 | CH9Y-6102 | 1 | ELBOW |
| 5 | CH135-6261 | 4 | CLAMP |
| 6 | 501062D1 | 2 | HOSE |
| 7 | 501878D1 | 1 | TUBE ASM-INLET (INCLUDES BOSS & TUBE) |
| | CH4J-5050 | | BOSS |
| 8 | 500965D1 | 1 | TUBE-OUTLET |
| 9 | 500966D1 | 1 | TUBE-INLET |
| 10 | 400376X1 | 1 | SEAL-O-RING |
| 11 | CH164-4180 | 1 | PLUG AS (INCL ITEM 10) |
| | 400376X1 | 1 | SEAL-O-RING |

[A] PART OF 172-5363; 172-5364;
501583D1; 501854D1
INSTALLATION AR-ENGINE

0882882A
PR: t05b22n43d0051

MT800B SERIES TRACTORS
AIR INLET AND EXHAUST SYSTEM

LINES GP-AIR - 500963D1
MT855B, MT865B & MT875B



**MT800B SERIES TRACTORS
AIR INLET AND EXHAUST SYSTEM**

153

**LINES GP-AIR - 500963D1
MT855B, MT865B & MT875B**

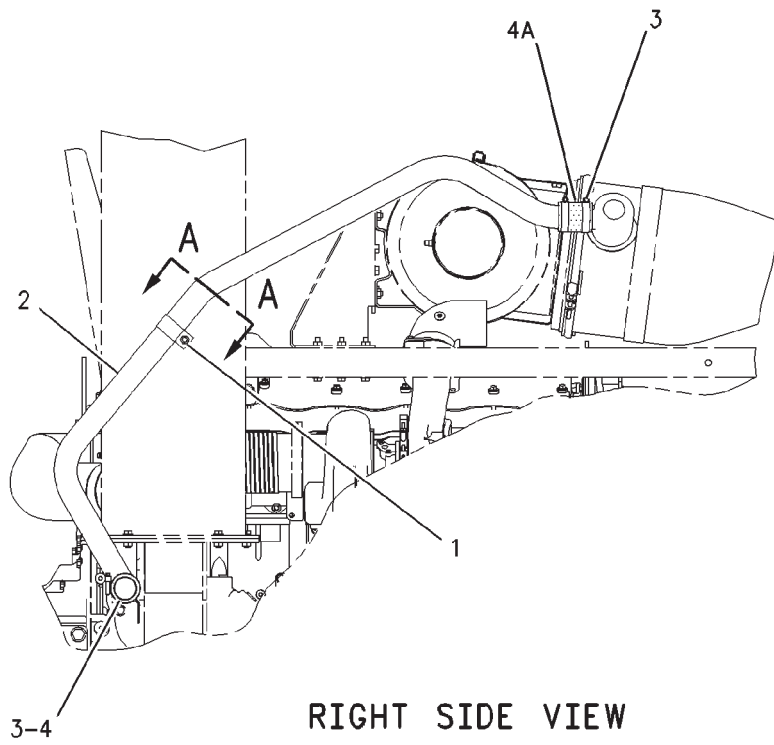
| ITEM | NUMBER | QTY | DESCRIPTION |
|------|------------|-----|---------------------------------|
| - | 500963D1 | - | LINES GP-AIR [A] (NOT SERVICED) |
| 1 | 219-8630 | 2 | HOSE-HUMP |
| 2 | 400376X1 | 1 | SEAL-O-RING 29.74 IDX2.95 DIA |
| 3 | 500965D1 | 1 | TUBE-OUTLET |
| 4 | 500966D1 | 1 | TUBE-INLET |
| 5 | 501021D1 | 8 | CLAMP-T BOLT 104.9-112.8 IDX19 |
| 6 | 501062D1 | 2 | HOSE-HUMP |
| 7 | 501878D1 | 1 | TUBE AS-INLET |
| 8 | 501891D1 | 1 | ELBOW |
| 9 | 502277D1 | 1 | CLAMP-T BOLT 165.1-172.9 IDX19 |
| 10 | 502278D1 | 1 | CLAMP-T BOLT 190.5-198.3 IDX19 |
| 11 | CH135-6261 | 2 | CLAMP-T BOLT 155-168 IDX19 |
| 12 | CH164-4180 | 1 | PLUG AS-16 STOR (INCLS ITEM 1) |
| | 400376X1 | 1 | SEAL-O-RING |
| 13 | CH9Y-6102 | 1 | ELBOW-45DEG RUB FORMED 152.4ID |

[A] PART OF 501585D1; 501586D1;
501587D1 INSTALLATION AR

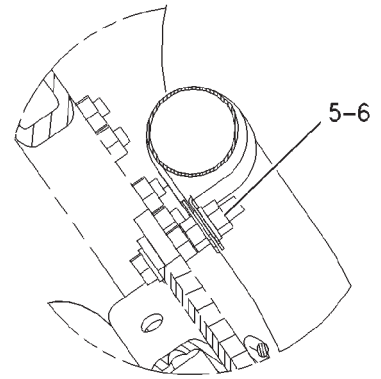
500963DA
PR: t05b22n43d0052

MT800B SERIES TRACTORS
AIR INLET AND EXHAUST SYSTEM

LINES GP-EJECTOR - 197-4849
MT835B & MT845B



RIGHT SIDE VIEW



SECTION A-A

**MT800B SERIES TRACTORS
AIR INLET AND EXHAUST SYSTEM**

155

**LINES GP-EJECTOR - 197-4849
MT835B & MT845B**

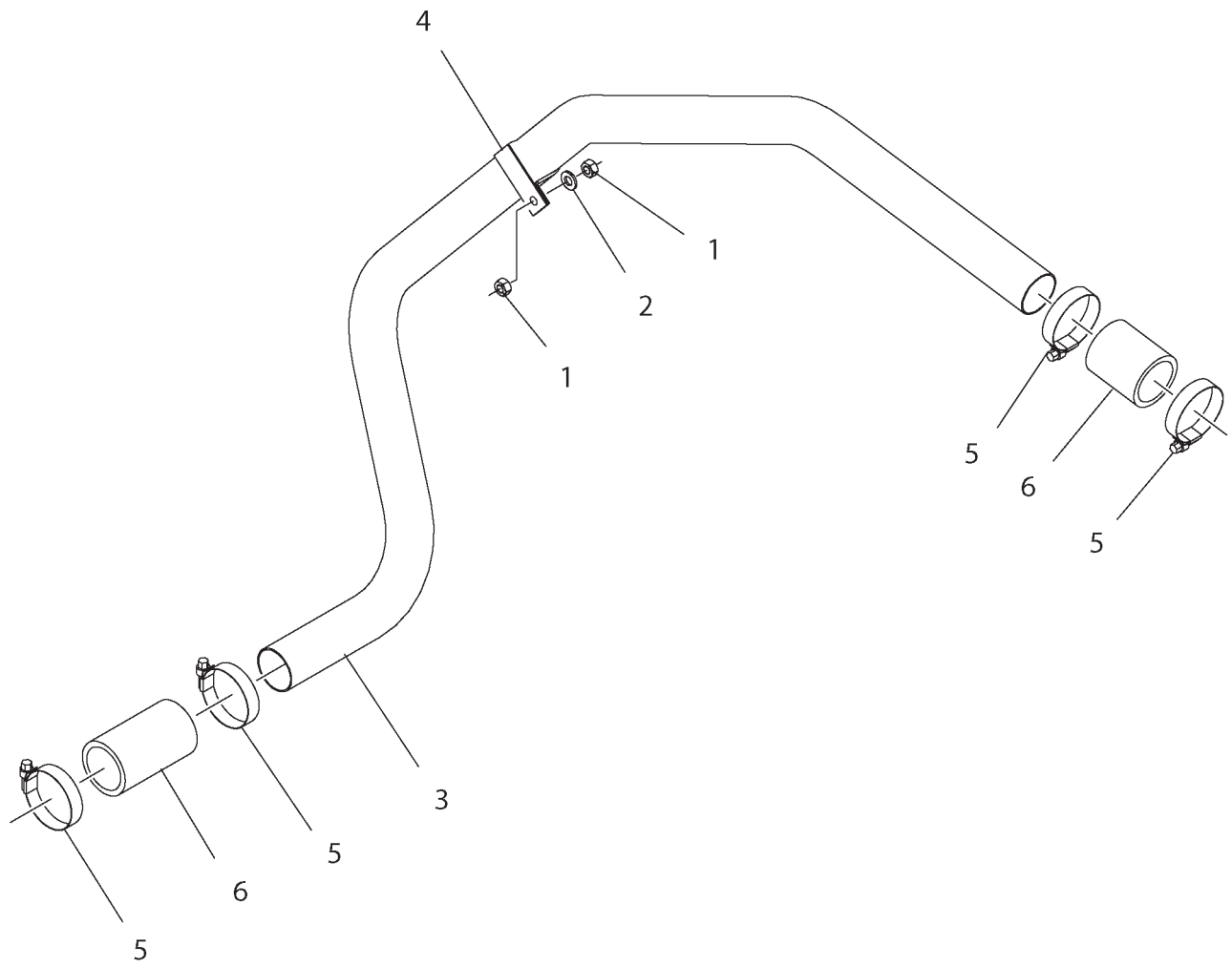
| ITEM | NUMBER | QTY | DESCRIPTION |
|------|------------|-----|-------------------------------------|
| - | 197-4849 | - | LINES GP-EJECTOR [A] (NOT SERVICED) |
| 1 | CH105-1866 | 1 | CLIP |
| 2 | 197-4852 | 1 | TUBE |
| 3 | 400126X1 | 4 | CLAMP-HOSE |
| 4 | CH5P-1259 | - | HOSE (50.80ID X 10.7CM) |
| 4A | CH5P-1259 | - | HOSE (50.80ID X 7.2CM) |
| 5 | 7774664 | 2 | NUT (M10X1.5) |
| 6 | 400287X1 | 1 | WASHER-HARD (11X21X2.5) |

[A] PART OF:
172-5363; 172-5364; 187-1743;
187-1744; 501583D1; 501854D1
INSTALLATION AR-ENGINE

00868057
PR: t05b22n43d0053

MT800B SERIES TRACTORS
AIR INLET AND EXHAUST SYSTEM

LINES GP-DUST EJECTOR - 501580D1
MT855B, MT865B & MT875B



501580DA

**MT800B SERIES TRACTORS
AIR INLET AND EXHAUST SYSTEM**

157

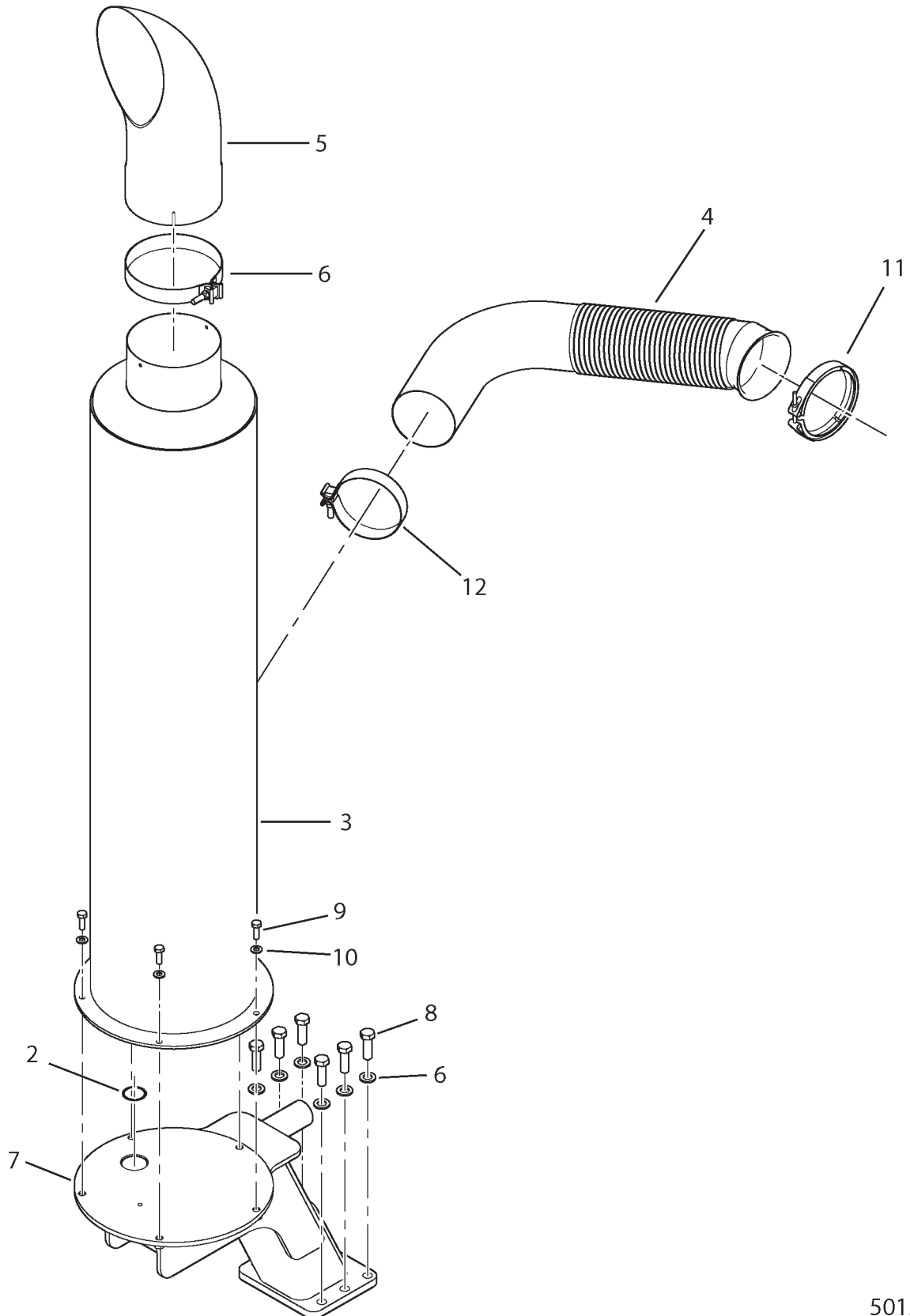
**LINES GP-DUST EJECTOR - 501580D1
MT855B, MT865B & MT875B**

| ITEM | NUMBER | QTY | DESCRIPTION |
|------|------------|-----|--|
| - | 501580D1 | - | LINES GP-DUST EJECTOR [A] (NOT SERVICED) |
| 1 | 7774664 | 2 | NUT-M10-1.5,CL10.9,ZN,H,REG |
| 2 | 400287X1 | 1 | WASHER-HARD 11IDX21ODX2.5 ZND1 |
| 3 | 501879D1 | 1 | TUBE |
| 4 | CH105-1866 | 1 | CLIP-LOOP 50.8 ID |
| 5 | 400126X1 | 4 | CLAMP-HOSE CT SST 57-79X16 |
| 6 | CH5P-1259 | 18 | HOSE-BULK 50.80 ID COOLANT |

[A] PART OF 501585D1; 501586D1;
501587D1 INSTALLATION AR

501580DA
PR: t05b22n43d0054

MUFFLER GP - 501577D1



**MT800B SERIES TRACTORS
AIR INLET AND EXHAUST SYSTEM**

159

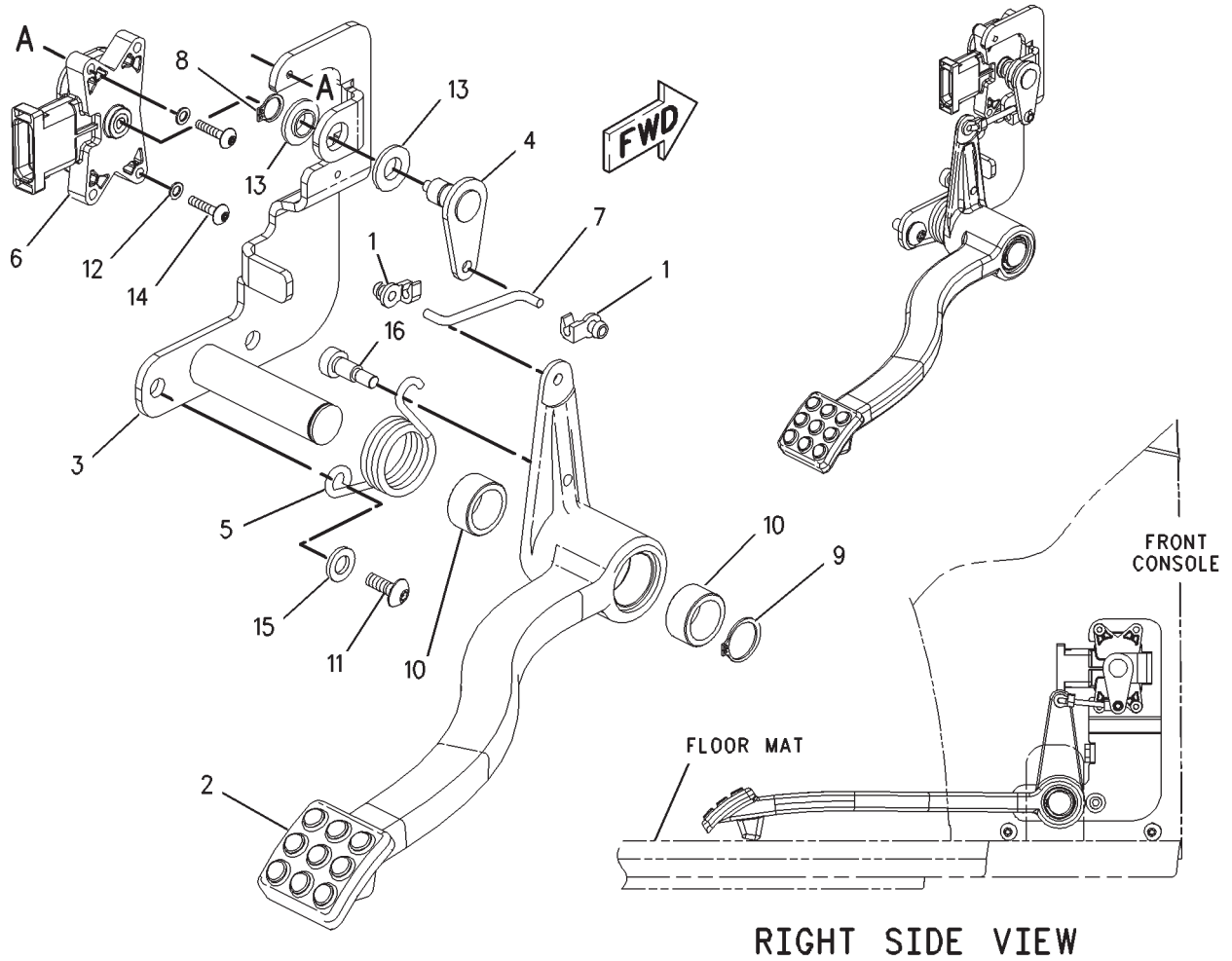
MUFFLER GP - 501577D1

| ITEM | NUMBER | QTY | DESCRIPTION |
|------|------------|-----|--------------------------------|
| - | 501577D1 | - | MUFFLER GP [A] (NOT SERVICED) |
| 1 | CH211-8713 | 20 | SEALANT-BULK HIGH TEMP GASKET |
| 2 | 400287X1 | 5 | WASHER-HARD 11IDX21ODX2.5 ZND1 |
| 3 | 501825D1 | 1 | MUFFLER AS |
| 4 | 501880D1 | 1 | TUBE AS-FLEXIBLE |
| 5 | 502280D1 | 1 | EXHAUST STACK |
| 6 | 502281D1 | 1 | CLAMP 7.00 |
| 7 | 212-4300 | 1 | SUPPORT AS-EXH |
| 8 | 400056X1 | 6 | BOLT-M16X2X50MM ZNDI HHD 10.9 |
| 9 | 400058X1 | 5 | BOLT-M10X1.5X30 ZNDI HHD 10.9 |
| 10 | 400082X1 | 6 | WASHER-HARD 17.5IDX30ODX3.5 ZN |
| 11 | CH9N-1941 | 1 | CLAMP-V-BAND 149 GAGE SST |
| 12 | CH202-2373 | 1 | CLAMP-BAND 134 ID X 31.8 |

[A] PART OF:
501583D1; 501854D1; 501585D1;
501586D1; 501587D1 INSTALLATION AR

501577DB
PR: t05b22n43d0055

CONTROL GP-DECELERATOR - 152-0447



MT800B SERIES TRACTORS
FUEL SYSTEM

161

CONTROL GP-DECELERATOR - 152-0447

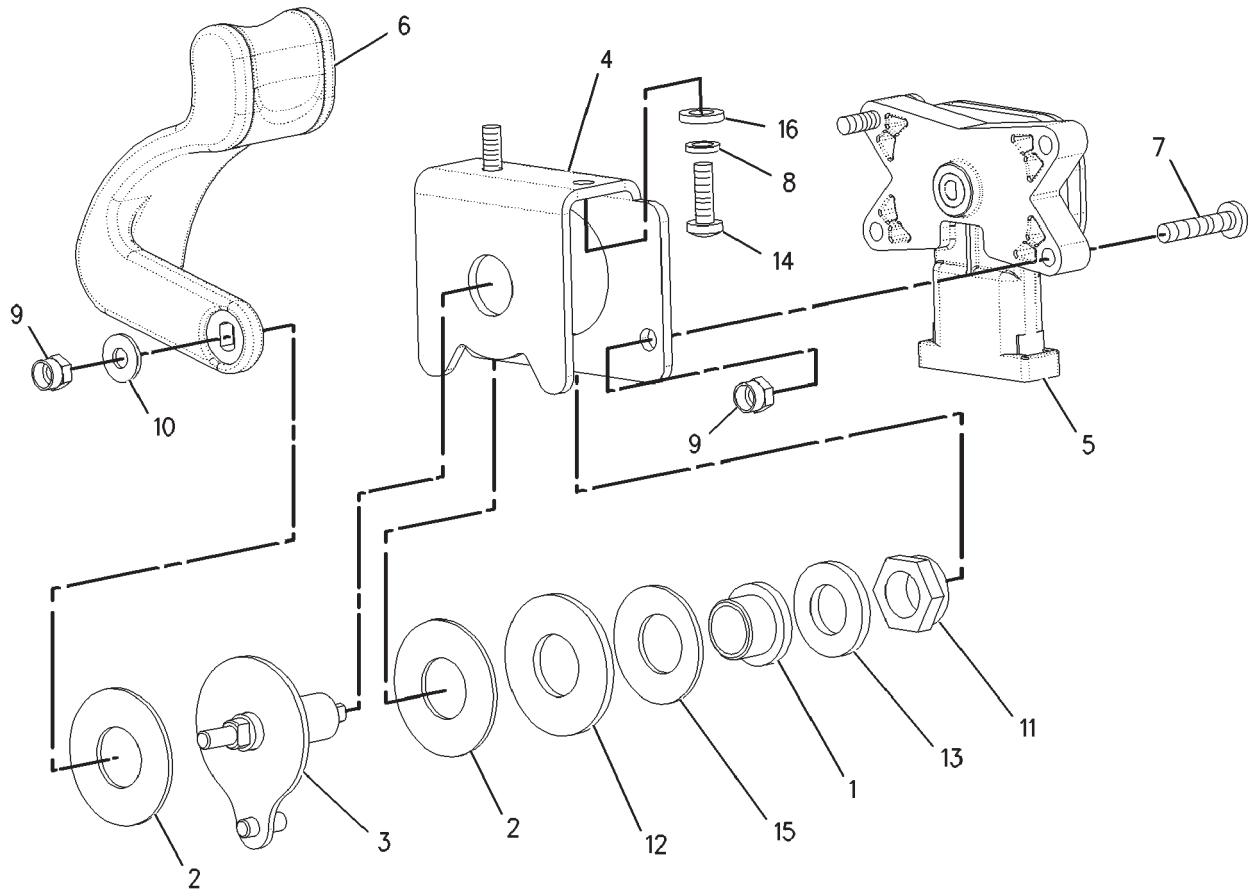
| ITEM | NUMBER | QTY | DESCRIPTION |
|------|------------|-----|--|
| - | 152-0447 | - | CONTROL GP-DECELERATOR [A] (NOT SERVICED) |
| 1 | CH116-5728 | 2 | CLIP-ROD END |
| 2 | 136-5218 | 1 | PEDAL-DECELERATOR |
| 3 | 136-5221 | 1 | BRACKET ASM (INCLUDES BRACKET & SHAFT) |
| 4 | 136-5224 | 1 | ARM ASM (INCLUDES SHAFT & PLATE) |
| 5 | CH214-9441 | 1 | SPRING |
| 6 | 500317D1 | 1 | SENSOR POSITION |
| 7 | 136-5566 | 1 | LINK |
| 8 | CH095-0915 | 1 | RING-RETAINING |
| 9 | CH2J-6356 | 1 | RING-RETAINING |
| 10 | CH4E-1251 | 2 | BEARING-SLEEVE |
| 11 | CH127-2170 | 2 | SCREW-TRUSS HEAD (M8X1.25X20MM) |
| 12 | CH8C-9660 | 2 | WASHER (4.6X7.9X0.8) |
| 13 | CH177-0378 | 2 | BUSHING |
| 14 | CH9X-1046 | 2 | SCREW (M4X0.7X18MM) |
| 15 | CH9M-1974 | 2 | WASHER-HARD (8.8X16X2) |
| 16 | 400004X1 | 1 | BOLT-SHOULDER (M6X1X23.25MM) |

[A] PART OF 152-0012; 152-0013;
222-4146 CAB AR

00850574
PR: t05b22n43d0056

MT800B SERIES TRACTORS
FUEL SYSTEM

CONTROL GP-GOVERNOR - 207-2031



MT800B SERIES TRACTORS
FUEL SYSTEM

163

CONTROL GP-GOVERNOR - 207-2031

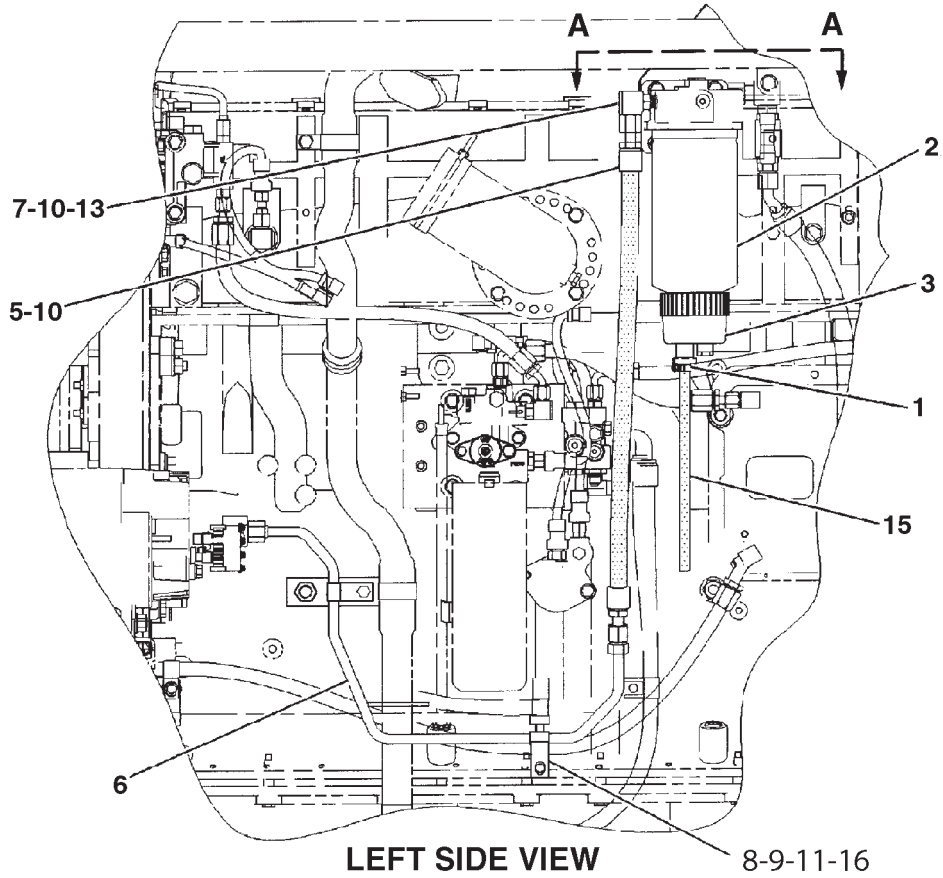
| ITEM | NUMBER | QTY | DESCRIPTION |
|------|------------|-----|--|
| - | 207-2031 | - | CONTROL GP-GOVERNOR [A] (NOT SERVICED) |
| 1 | CH174-5747 | 1 | BUSHING |
| 2 | 400334X1 | 2 | WASHER (16.5X37X1.5) |
| 3 | 192-4776 | 1 | SHAFT ASM(INCLUDES PIN, PLATE & SHAFT) |
| 4 | 192-4777 | 1 | BRACKET |
| 5 | 500317D1 | 1 | SENSOR-POSITION (SENSOR A) |
| 6 | CH207-2032 | 1 | HANDLE |
| 7 | 400072X1 | 2 | BOLT-HX SCKT HD (M5X0.8X25MM) |
| 8 | CH3B-4503 | 2 | LOCKWASHER |
| 9 | CH179-4324 | 3 | LOCKNUT-NYLON INSRT (M5X.8) |
| 10 | CH4B-4274 | 1 | WASHER (5.5X13X1.2) |
| 11 | CH4K-8341 | 1 | LOCKNUT (1/2-20) |
| 12 | CH7X-0517 | 1 | WASHER-HARD (17X38X2.5) |
| 13 | 400357X1 | 1 | WASHER-HARD (M12X25.5X3) |
| 14 | CH8T-6693 | 2 | SCREW-MACHINE (M5X0.8X16MM) |
| 15 | 400074X1 | 1 | WASHER-BELLVILLE |
| 16 | 400310X1 | 2 | WASHER (6.6X12X2) |

[A] PART OF 152-0434 CONSOLE
GP-OPERATOR

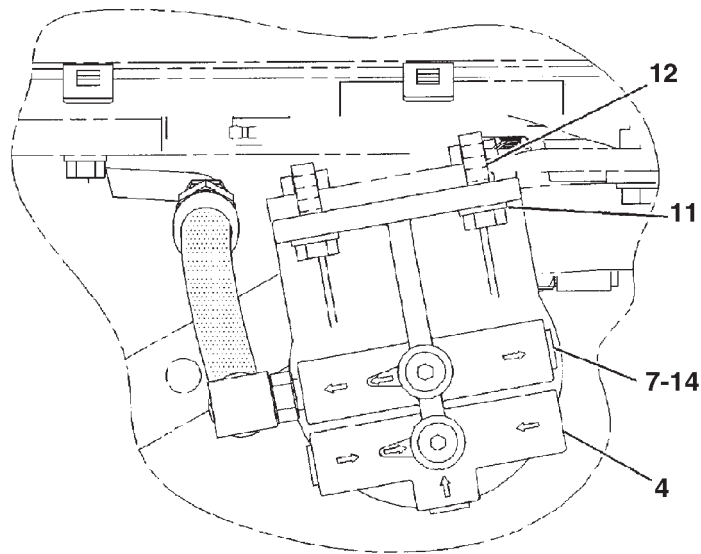
00867630
PR: t05k07n15a0002

**MT800B SERIES TRACTORS
FUEL SYSTEM**

FILTER GP-WATER SEP & FUEL - 502352D1



LEFT SIDE VIEW



VIEW A-A

MT800B SERIES TRACTORS
FUEL SYSTEM

165

FILTER GP-WATER SEP & FUEL - 502352D1

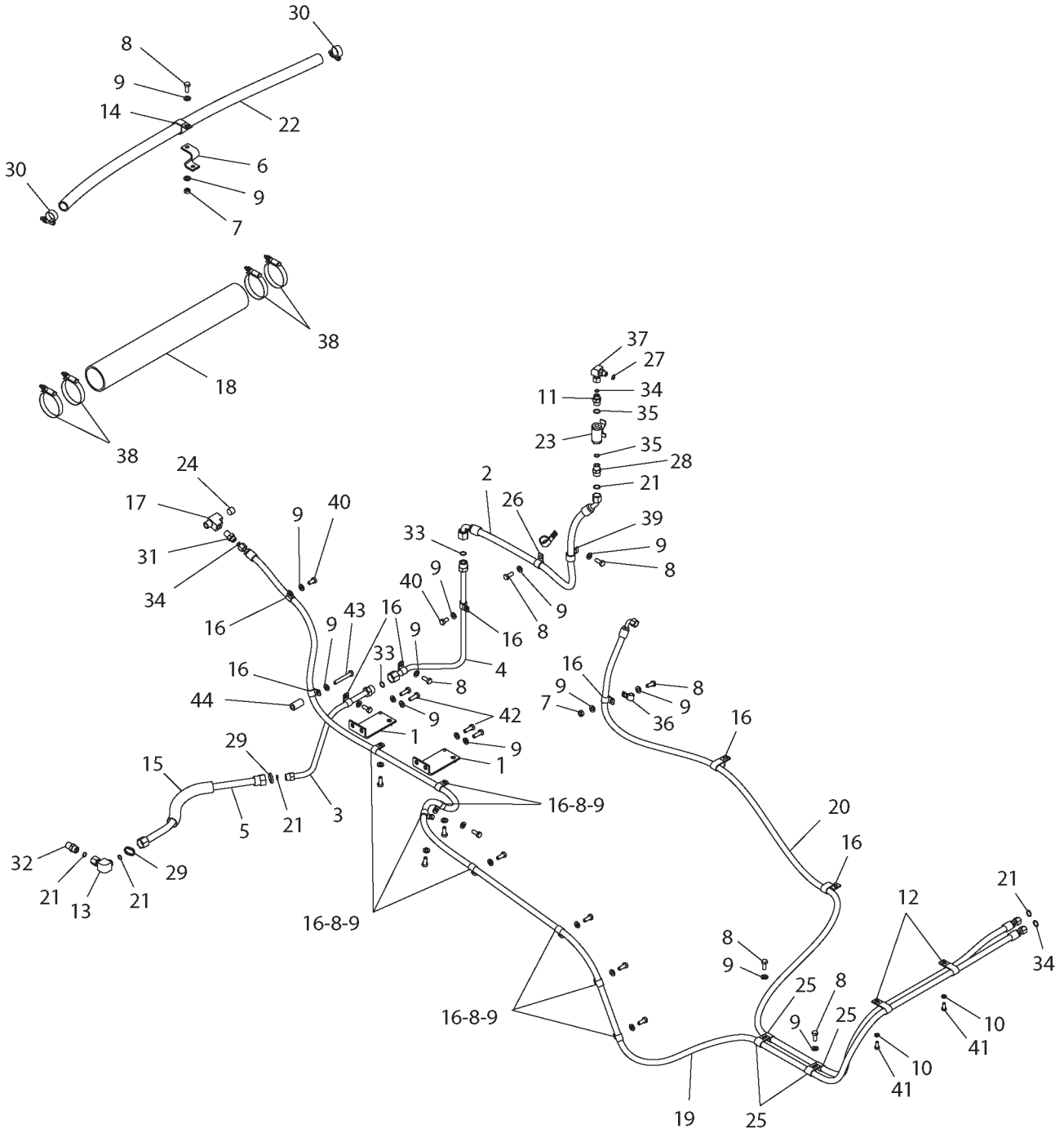
| ITEM | NUMBER | QTY | DESCRIPTION |
|------|------------|-----|--|
| - | 502352D1 | - | FILTER GP-WATER SEP & FUEL [A] (NOT SERVICED) |
| 1 | CH1P-4278 | 1 | CLAMP-HOSE |
| 2 | CH1R-0771 | 1 | FILTER ASM-FUEL (INCL SEAL) |
| | CH220-8678 | 1 | SEAL |
| 3 | CH173-7126 | 1 | BOWL |
| 4 | 177-9778 | 1 | BASE ASM (INCLUDES STUD AND BASE) |
| | 9S-4167 | 1 | STUD HOLLOW |
| 5 | CH208-5384 | 1 | HOSE ASM (INCLUDES COUPLING AND HOSE) |
| 6 | 221-1776 | 1 | TUBE ASM(INCL. NUT, SLEEVE, SEAL & TUBE) |
| 7 | 400318X1 | 6 | SEAL-O-RING |
| 8 | CH4D-9517 | 1 | CLIP |
| 9 | WR561071 | 1 | BOLT (3/8-16X3) |
| 10 | CH6V-8398 | 2 | SEAL-O-RING |
| 11 | 400287X1 | 4 | WASHER-HARD (11X21X2.5) |
| 12 | 400059X1 | 3 | BOLT (M10X1.5X35MM) |
| 13 | 400018X1 | 1 | ELBOW |
| 14 | CH162-0177 | 1 | PLUG AS (9/16-18 STOR) |
| | 400318X1 | 1 | SEAL-O-RING |
| 15 | CH5P-6442 | 1 | HOSE (26CM) |
| 16 | 501973D1 | 1 | SPACER |

[A] PART OF 501583D1; 501584D1;
501585D1; 501586D1; 501587D1
INSTALLATION AR-ENGINE

502352DA
PR: t05b22n43d0057

MT800B SERIES TRACTORS
FUEL SYSTEM

LINES GP-FUEL - 501582D1
MT835B, MT845B, MT855B & MT865B



**MT800B SERIES TRACTORS
FUEL SYSTEM**

167

**LINES GP-FUEL - 501582D1
MT835B, MT845B, MT855B & MT865B**

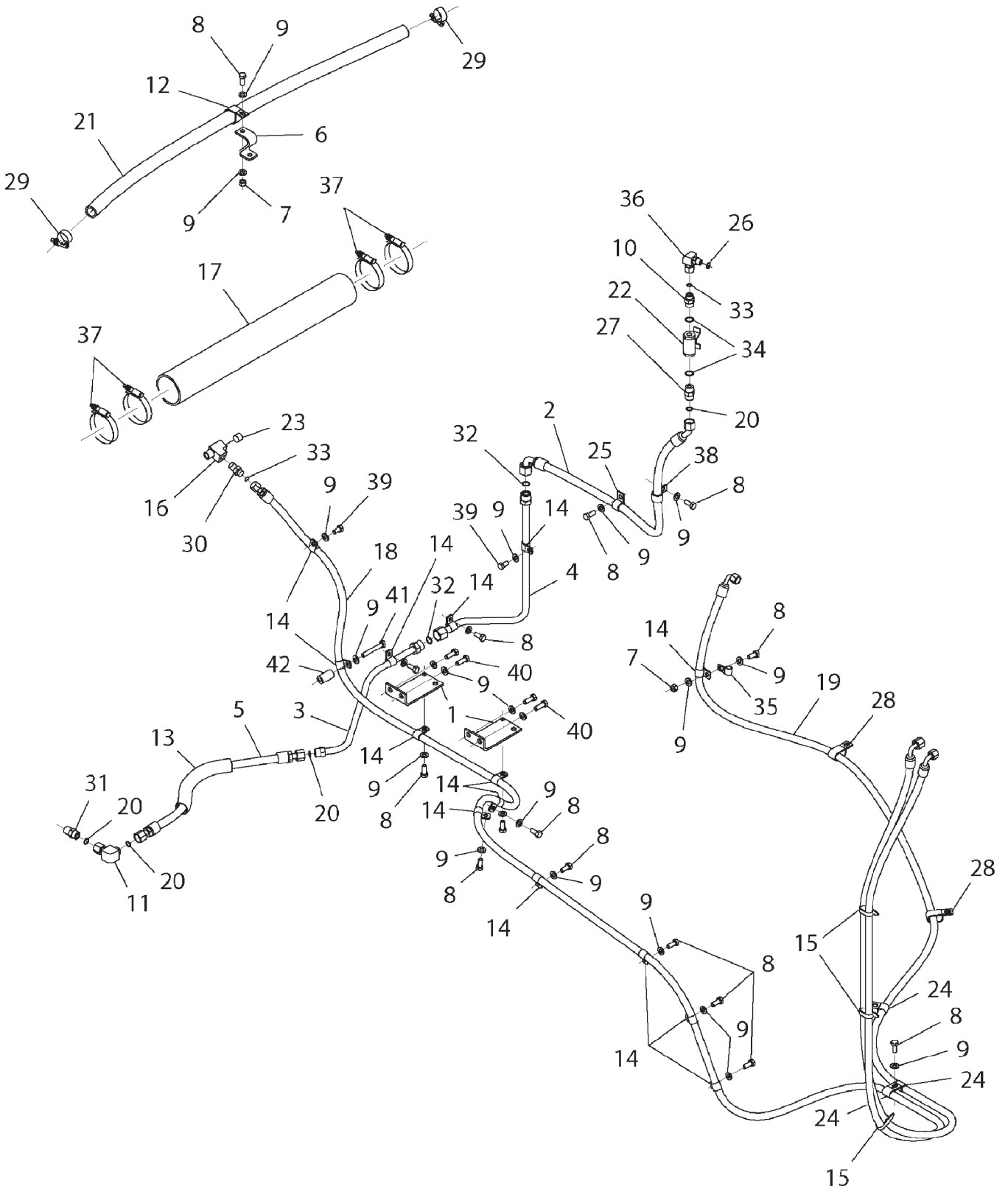
| ITEM | NUMBER | QTY | DESCRIPTION |
|------|------------|-----|-------------------------------------|
| - | 501582D1 | - | LINES GP-FUEL [A] (NOT SERVICED) |
| 1 | 209-0141 | 2 | BRACKET AS |
| 2 | 212-3811 | 1 | HOSE AS-12.7 ID CMS 5774 |
| 3 | 212-3814 | 1 | TUBE AS. |
| 4 | 212-3815 | 1 | TUBE AS. |
| 5 | 217-5924 | 1 | HOSE AS-12.7 ID CMS 5574 |
| 6 | 220-8642 | 1 | BRACKET |
| 7 | 7774664 | 2 | NUT-M10-1.5,CL10.9,ZN,H,REG |
| 8 | 400039X1 | 16 | BOLT-M10X1.5X25 ZNDI HHD 10.9 |
| 9 | 400287X1 | 25 | WASHER-HARD 11IDX21ODX2.5 ZND1 |
| 10 | 400339X1 | 2 | WASHER-HARD |
| 11 | 400627X1 | 1 | CONNECTOR-STR-8STOR-6ORFS |
| 12 | 400665X1 | 2 | CLIP-LOOP 19ID X 2 |
| 13 | 400686X1 | 1 | ELBOW-90DEG 8 ORFS SWVL |
| 14 | 400689X1 | 1 | CLIP LOOP 38.1ID |
| 15 | 400691X1 | - | SLEEVE-ABRASION BULK 31.75ID (25CM) |
| 16 | 400702X1 | 14 | CLIP-ONE TUBE COATED |
| 17 | 500142D1 | 1 | FITTING-TEE |
| 18 | 500291D1 | 1 | HOSE-TRANSFER |
| 19 | 501992D1 | 1 | HOSE AS. |
| 20 | 501993D1 | 1 | HOSE AS. |
| 21 | CH033-6033 | 5 | SEAL-O-RING 12.4IDX1.78DIA |
| 22 | CH146-7453 | - | HOSE-BULK 25.4 ID (116CM) |
| 23 | CH206-0325 | 1 | VALVE-3/4-16 THD |
| 24 | CH2B-0858 | 1 | PLUG-8 NPTF 9.52SQR.CNTRSK |
| 25 | CH3S-8664 | 4 | CLIP-LOOP 19.05 ID |
| 26 | CH6D-4246 | 1 | CLIP-LOOP 19.05ID |
| 27 | CH6V-5049 | 1 | SEAL-O RING 11.89IDX1.98 DIA |
| 28 | CH6V-8639 | 1 | CONNECTOR-STR-12.7 STR -8 ORFS |
| 29 | CH7K-1181 | 2 | STRAP-CABLE 0.19-4.00 |
| 30 | CH7X-7958 | 2 | CLAMP-25-44IDX16 CONST TENSION |
| 31 | CH8C-6870 | 1 | CONNECTOR-8 NPTF X 6 ORFS |
| 32 | CH8C-6872 | 1 | CONNECTOR-8 NPTF X 8 ORFS |
| 33 | CH8L-2746 | 2 | SEAL-O-RING 15.61IDX1.78DIA |
| 34 | CH8L-2779 | 3 | SEAL-O-RING 9.25ID X 1.78DIA |
| 35 | CH8L-2786 | 2 | SEAL-O RING 16.36IDX2.21 DIA |
| 36 | CH8M-2770 | 1 | CLIP-LOOP 12.7 ID |
| 37 | CH8T-0788 | 1 | ELBOW-90DEG 6STORX6 ORFS SWVL |
| 38 | CH8T-4985 | 4 | CLAMP-HOSE 83-105ID CONST LOAD |
| 39 | CH9X-8250 | 1 | CLIP-LOOP 23.8 ID |
| 40 | 400040X1 | 2 | BOLT-M10X1.5X20 ZNDI HHD 10.9 |
| 41 | 400053X1 | 2 | BOLT-M8X1.25X20 ZNDI HHD 10.9 |
| 42 | 400058X1 | 4 | BOLT-M10X1.5X30 ZNDI HHD 10.9 |
| 43 | 400066X1 | 1 | BOLT-M10X1.5X70 ZNDI HHD 10.9 |
| 44 | 215-6489 | 1 | SPACER |

[A] PART OF:
501583D1; 501854D1; 501585D1;
501586D1 INSTALLATION AR

501582DC
PR: t05b22n43d0058

MT800B SERIES TRACTORS
FUEL SYSTEM

LINES GP-FUEL - 502735D1
MT875B



**MT800B SERIES TRACTORS
FUEL SYSTEM**

169

**LINES GP-FUEL - 502735D1
MT875B**

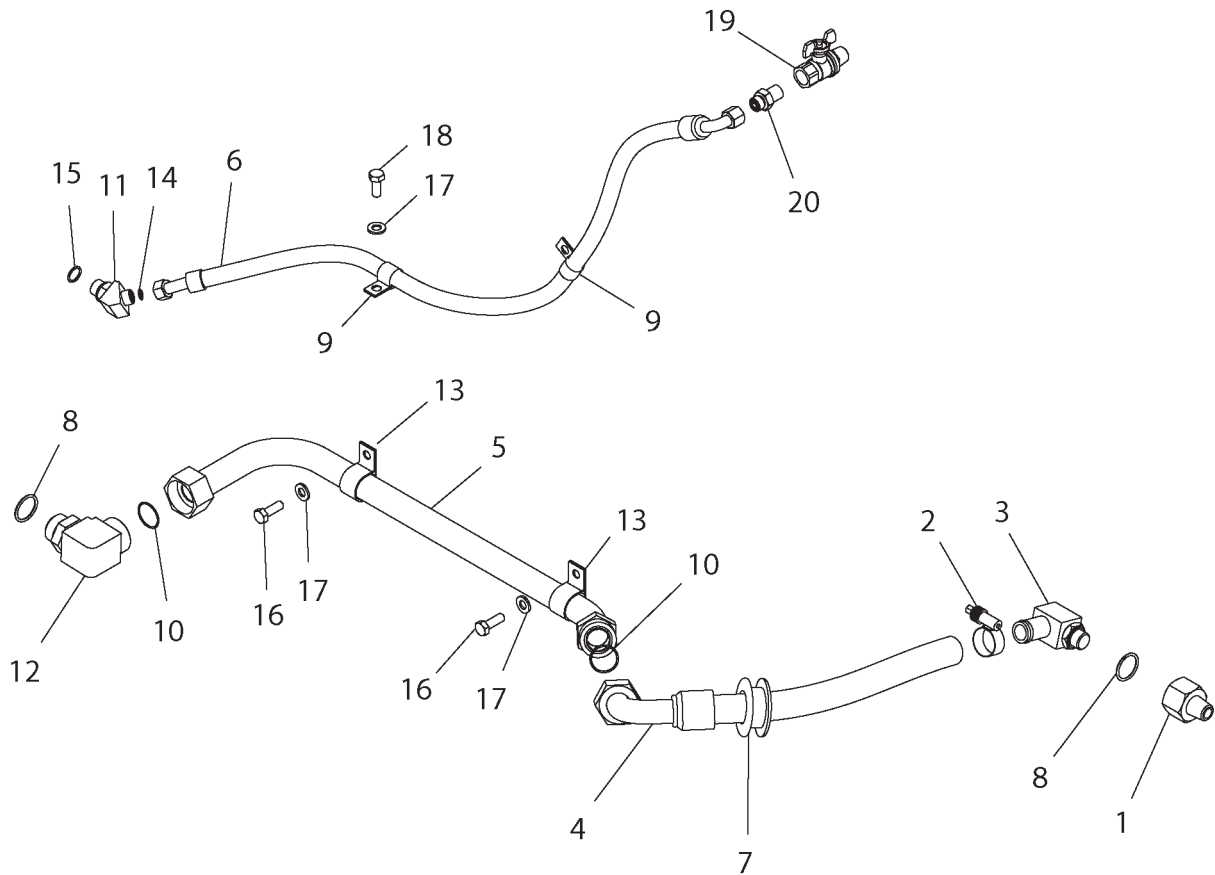
| ITEM | NUMBER | QTY | DESCRIPTION |
|------|------------|-----|---|
| - | 502735D1 | - | LINES GP-FUEL (NOT SERVICED) |
| 1 | 209-0141 | 2 | BRACKET AS |
| 2 | 212-3811 | 1 | HOSE AS-12.7 ID CMS 5774 |
| 3 | 212-3814 | 1 | TUBE AS. |
| 4 | 212-3815 | 1 | TUBE AS. |
| 5 | 217-5924 | 1 | HOSE AS-12.7 ID CMS 5574 |
| 6 | 220-8642 | 1 | BRACKET |
| 7 | 7774664 | 2 | NUT-M10-1.5,CL10.9,ZN,H,REG |
| 8 | 400039X1 | 15 | BOLT-M10X1.5X25 ZNDI HHD 10.9 |
| 9 | 400287X1 | 24 | WASHER-HARD 11IDX21ODX2.5 ZND1 |
| 10 | 400627X1 | 1 | CONNECTOR-STR-8STOR-6ORFS |
| 11 | 400686X1 | 1 | ELBOW-90DEG 8 ORFS SWVL |
| 12 | 400689X1 | 1 | CLIP LOOP 38.1ID |
| 13 | 400691X1 | AR | SLEEVE-ABRASION BULK 31.75ID (25 CM) |
| 14 | 400702X1 | 14 | CLIP-ONE TUBE COATED |
| 15 | 400837X1 | 3 | STRAP-CABLE (PLASTIC) |
| 16 | 500142D1 | 1 | FITTING-TEE |
| 17 | 500291D1 | 1 | HOSE-TRANSFER |
| 18 | 502736D1 | 1 | HOSE |
| 19 | 502737D1 | 1 | HOSE |
| 20 | CH033-6033 | 5 | SEAL-O-RING 12.4IDX1.78DIA |
| 21 | CH146-7453 | AR | HOSE-BULK 25.4 ID HTEMP L PRES (116 CM) |
| 22 | CH206-0325 | 1 | VALVE-3/4-16THD |
| 23 | CH2B-0858 | 1 | PLUG-8 NPTF 9.52SQR.CNTRSK |
| 24 | CH3S-8664 | 3 | CLIP-LOOP 19.05 ID |
| 25 | CH6D-4246 | 3 | CLIP-LOOP 19.05ID |
| 26 | CH6V-5049 | 1 | SEAL-O RING 11.89IDX1.98 DIA |
| 27 | CH6V-8639 | 1 | CONNECTOR-STR-12.7 STR -8 ORFS |
| 28 | CH7K-1181 | 2 | STRAP-CABLE 0.19-4.00 |
| 29 | CH7X-7958 | 2 | CLAMP-25-44IDX16 CONST TENSION |
| 30 | CH8C-6870 | 1 | CONNECTOR-8 NPTF X 6 ORFS |
| 31 | CH8C-6872 | 1 | CONNECTOR-8 NPTF X 8 ORFS |
| 32 | CH8L-2746 | 2 | SEAL-O-RING 15.61IDX1.78DIA |
| 33 | CH8L-2779 | 3 | SEAL-O-RING 9.25ID X 1.78DIA |
| 34 | CH8L-2786 | 2 | SEAL-O RING 16.36IDX2.21 DIA |
| 35 | CH8M-2770 | 1 | CLIP-LOOP 12.7 ID |
| 36 | CH8T-0788 | 1 | ELBOW-90DEG 6STORX6 ORFS SWVL |
| 37 | CH8T-4985 | 4 | CLAMP-HOSE 83-105ID CONST LOAD |
| 38 | CH9X-8250 | 1 | CLIP-LOOP 23.8 ID |
| 39 | 400040X1 | 2 | BOLT-M10X1.5X20 ZNDI HHD 10.9 |
| 40 | 400058X1 | 4 | BOLT-M10X1.5X30 ZNDI HHD 10.9 |
| 41 | 400066X1 | 1 | BOLT-M10X1.5X70 ZNDI HHD 10.9 |
| 42 | 215-6489 | 1 | SPACER |

PART OF 501587D1

502735DA
PR: t05b22n43d0059

MT800B SERIES TRACTORS
FUEL SYSTEM

LINES GP-FUEL - 197-1317



MT800B SERIES TRACTORS
FUEL SYSTEM

171

LINES GP-FUEL - 197-1317

| ITEM | NUMBER | QTY | DESCRIPTION |
|------|------------|-----|-------------------------|
| - | 197-1317 | - | LINES GP-FUEL [A] |
| 1 | CH8C-5053 | 1 | ADAPTER |
| 2 | CH7X-7958 | 1 | CLAMP-HOSE |
| 3 | CH034-4202 | 1 | ELBOW |
| 4 | 197-7948 | 1 | HOSE |
| 5 | 200-1300 | 1 | TUBE ASM |
| 6 | 192-6386 | 1 | HOSE |
| 7 | CH4I-5399 | 1 | GROMMET |
| 8 | CH5P-7701 | 2 | SEAL-O-RING |
| 9 | CH6D-4246 | 2 | CLIP |
| 10 | 400365X1 | 2 | SEAL-O-RING |
| 11 | CH6V-9876 | 1 | ELBOW |
| 12 | 400583X1 | 1 | ELBOW |
| 13 | 400598X1 | 2 | CLIP |
| 14 | CH8L-2779 | 2 | SEAL-O-RING |
| 15 | CH8L-2786 | 1 | SEAL-O-RING |
| 16 | 400058X1 | 2 | BOLT (M10X1.5X30MM) |
| 17 | 400287X1 | 3 | WASHER-HARD (11X21X2.5) |
| 18 | 400039X1 | 1 | BOLT (M10X1.5X25MM) |
| 19 | CH221-2002 | 1 | VALVE-BALL (8NPTF) |
| 20 | CH8C-6870 | 1 | CONNECTOR (6ORFSX8NPT) |

[A] PART OF 197-8558 TANK AR-FUEL

1971317A
PR: t05b22n43d0060

172

**MT800B SERIES TRACTORS
FUEL SYSTEM**

TANK & MTG GP-FUEL - 179-2182

NO ILLUSTRATION

NOTIF1

MT800B SERIES TRACTORS
FUEL SYSTEM

173

TANK & MTG GP-FUEL - 179-2182

| ITEM | NUMBER | QTY | DESCRIPTION |
|------|----------|-----|---|
| - | 179-2182 | - | TANK & MTG GP-FUEL [A] (NOT SERVICED) |
| 1 | 186-5431 | 1 | SUPPORT GP-FUEL TANK (NOT SERVICED) (SEE BREAKDOWN FOR COMPONENTS) |
| 2 | 186-5432 | 1 | TANK GP-FUEL (NOT SERVICED) (SEE BREAKDOWN FOR COMPONENTS) |

[A] PART OF 179-1953 CHASSIS AR

NOTIF1
PR: t05b22n43d0061

174

MT800B SERIES TRACTORS
FUEL SYSTEM

TANK AR-FUEL - 197-8558
AUXILIARY 94.8 LITERS (25 GALLONS)

NO ILLUSTRATION

NOTIF2

MT800B SERIES TRACTORS
FUEL SYSTEM

175

TANK AR-FUEL - 197-8558
AUXILIARY 94.8 LITERS (25 GALLONS)

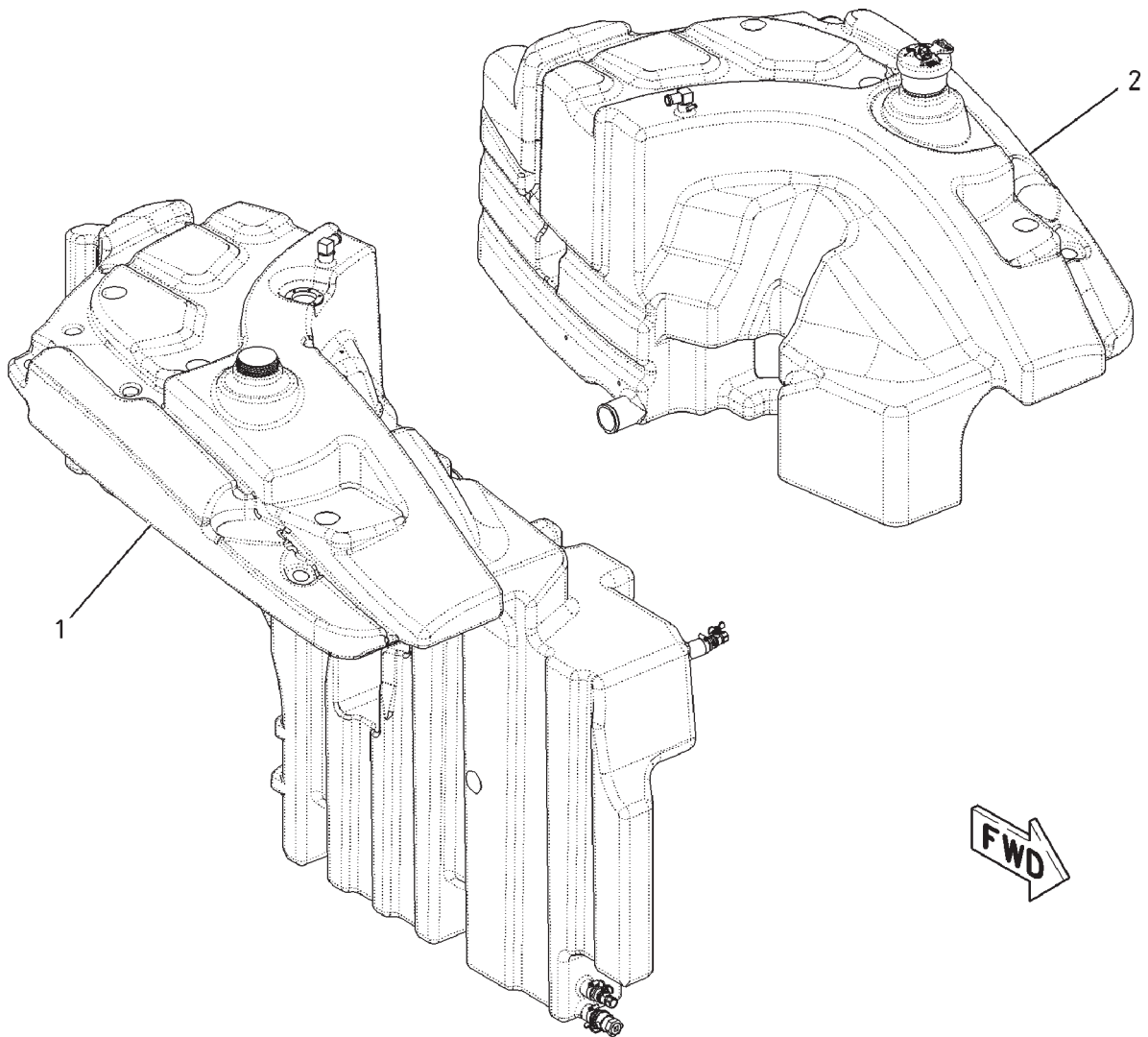
| ITEM | NUMBER | QTY | DESCRIPTION |
|------|----------|-----|--|
| - | 197-8558 | - | TANK AR-FUEL [A] |
| - | 197-1317 | 1 | LINES GP-FUEL (NOT SERVICED) (SEE BREAKDOWN FOR COMPONENTS) |
| - | 206-8891 | 1 | TANK GP-FUEL (NOT SERVICED) (SEE BREAKDOWN FOR COMPONENTS) |

[A] PART OF:
156-5584; 179-2196; 501591D1;
501592D1; 501596D1; 501597D1
BASE UNIT AR;
502760D1; 502771D1 TANK AR-FUEL

NOTIF2
PR: t05b22n43d0062

MT800B SERIES TRACTORS
FUEL SYSTEM

TANK GP-FUEL - 186-5432
1155 LITERS (305 GALLONS)



**MT800B SERIES TRACTORS
FUEL SYSTEM**

177

**TANK GP-FUEL - 186-5432
1155 LITERS (305 GALLONS)**

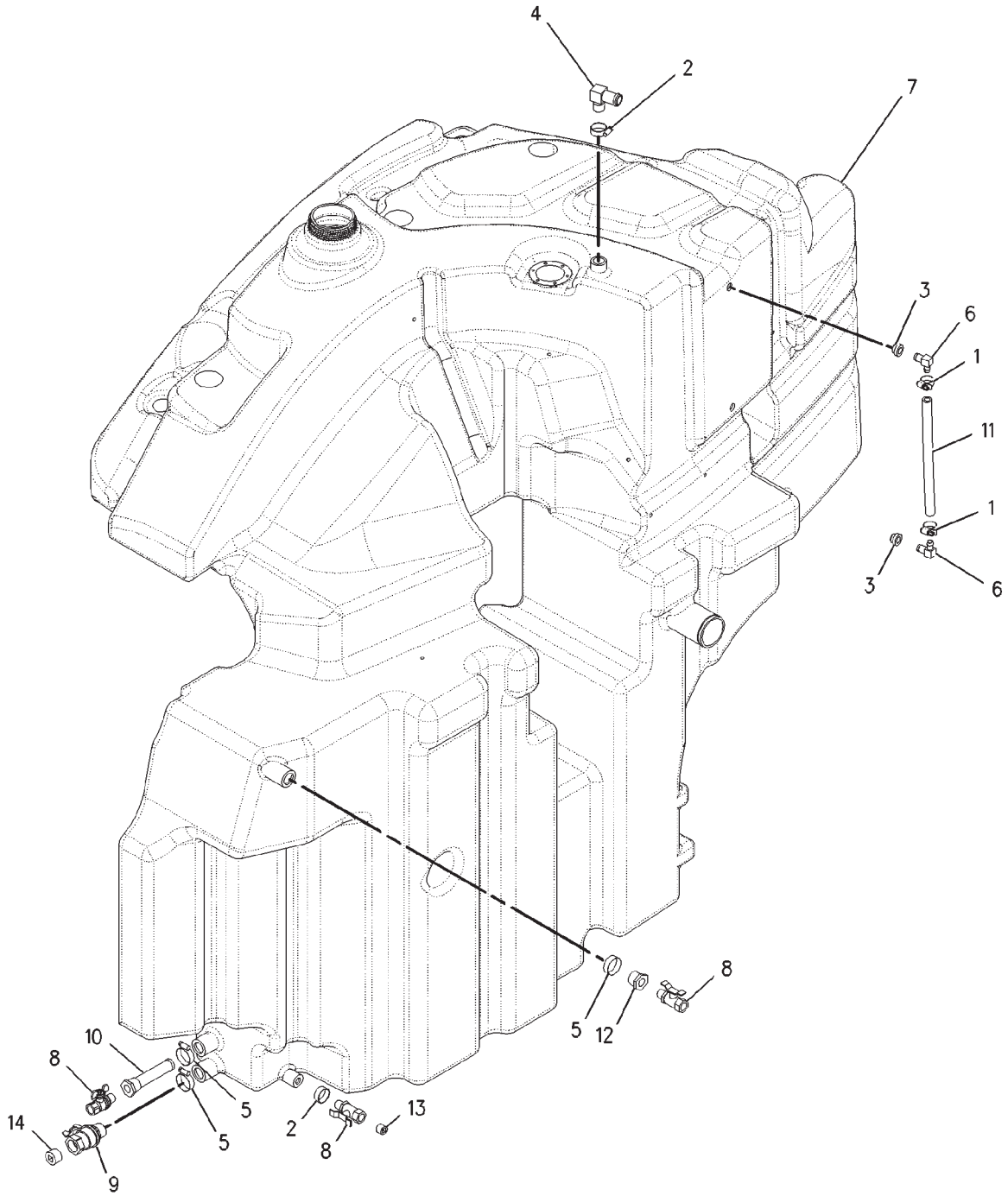
| ITEM | NUMBER | QTY | DESCRIPTION |
|------|----------|-----|--|
| - | 186-5432 | - | TANK GP-FUEL [A] (NOT SERVICED) |
| 1 | 196-7742 | 1 | TANK GP-FUEL (RH) (NOT SERVICED) (SEE BREAKDOWN FOR COMPONENTS) |
| 2 | 500016D1 | 1 | TANK GP-FUEL (LH) (NOT SERVICED) (SEE BREAKDOWN FOR COMPONENTS) |

[A] PART OF 179-2182 TANK & MTG GP-FUEL

00886907
PR: t05b22n43d0063

MT800B SERIES TRACTORS
FUEL SYSTEM

TANK GP-FUEL - 196-7742
RIGHT HAND



MT800B SERIES TRACTORS
FUEL SYSTEM

179

TANK GP-FUEL - 196-7742
RIGHT HAND

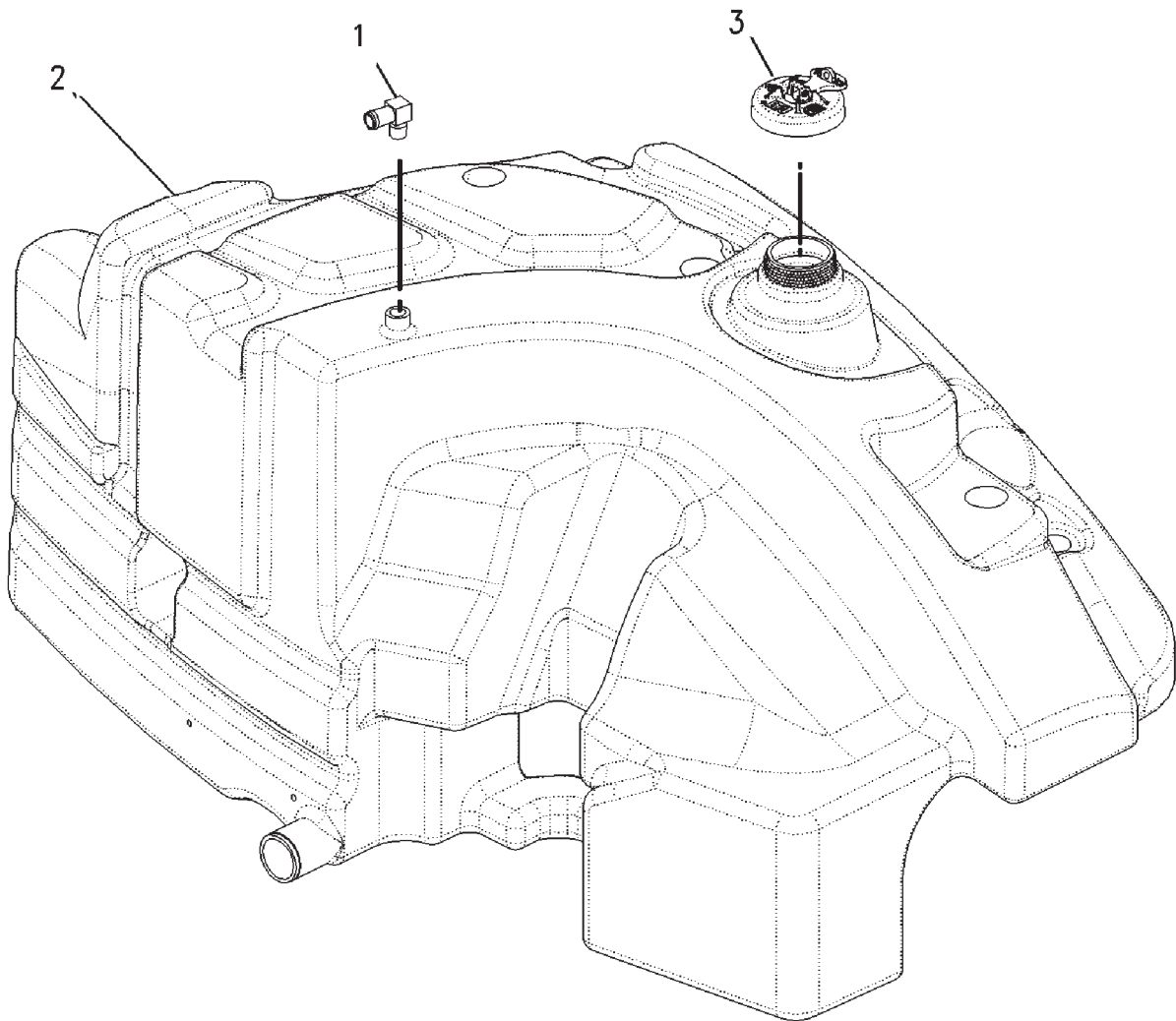
| ITEM | NUMBER | QTY | DESCRIPTION |
|------|------------|-----|---------------------------------|
| - | 196-7742 | - | TANK GP-FUEL [A] (NOT SERVICED) |
| 1 | CH1P-4278 | 2 | CLAMP-HOSE |
| 2 | CH2S-3440 | 2 | CLAMP-HOSE |
| 3 | CH6W-5698 | 2 | GROMMET |
| 4 | CH7W-1890 | 1 | ELBOW |
| 5 | CH9M-2904 | 3 | CLAMP-HOSE |
| 6 | CH186-5862 | 2 | ELBOW |
| 7 | 188-0771 | 1 | TANK-FUEL (RH) |
| 8 | CH221-2002 | 3 | VALVE-BALL (FUEL SHUT-OFF) |
| 9 | CH221-2003 | 1 | VALVE-BALL (FUEL SHUT-OFF) |
| 10 | CH221-3265 | 1 | STRAINER (SUCTION) |
| 11 | CH200-2841 | | HOSE-BULK (90CM) |
| 12 | CH061-9593 | 1 | BUSHING-REDUCER |
| 13 | CH2B-0858 | 1 | PLUG-PIPE |
| 14 | CH3B-0551 | 1 | PLUG-PIPE |

[A] PART OF 186-5432 TANK GP-FUEL

00888761
PR: t05b22n43d0064

MT800B SERIES TRACTORS
FUEL SYSTEM

TANK GP-FUEL - 500016D1
LEFT HAND



**MT800B SERIES TRACTORS
FUEL SYSTEM**

181

**TANK GP-FUEL - 500016D1
LEFT HAND**

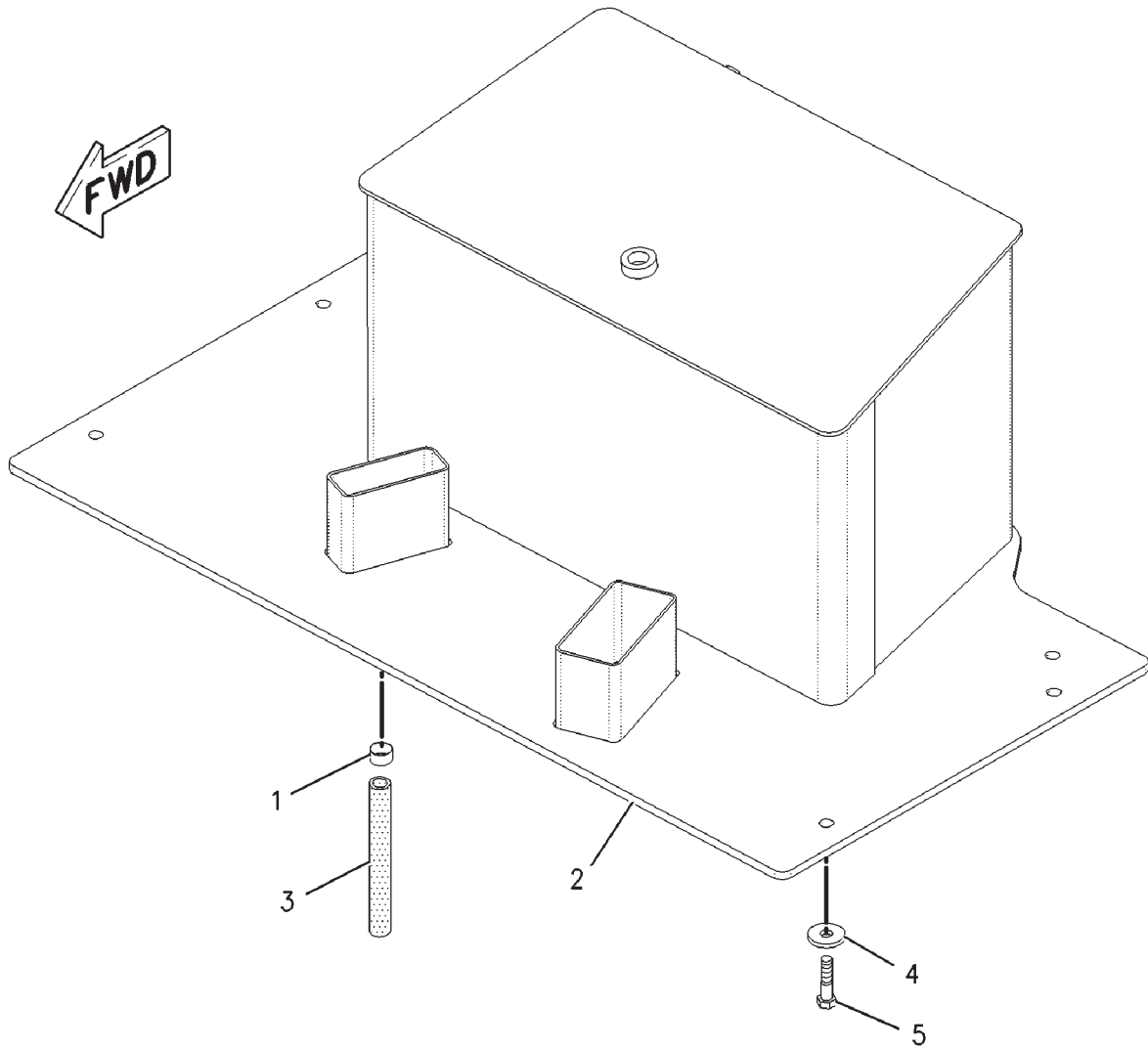
| ITEM | NUMBER | QTY | DESCRIPTION |
|------|-----------|-----|---------------------------------|
| - | 500016D1 | - | TANK GP-FUEL [A] (NOT SERVICED) |
| 1 | CH7W-1890 | 1 | ELBOW-90DEG (12NPTFX25.4ODBARB) |
| 2 | 500017D1 | 1 | TANK-FUEL (LH) |
| 3 | 500019D1 | 1 | FUEL CAP AS-2 WAY VENTING |

[A] PART OF 186-5432 TANK GP-FUEL

500016DB
PR: t05b22n43d0065

MT800B SERIES TRACTORS
FUEL SYSTEM

TANK GP-FUEL - 206-8891
94.63 LITERS (25 GALLONS)



00891934

**MT800B SERIES TRACTORS
FUEL SYSTEM**

183

**TANK GP-FUEL - 206-8891
94.63 LITERS (25 GALLONS)**

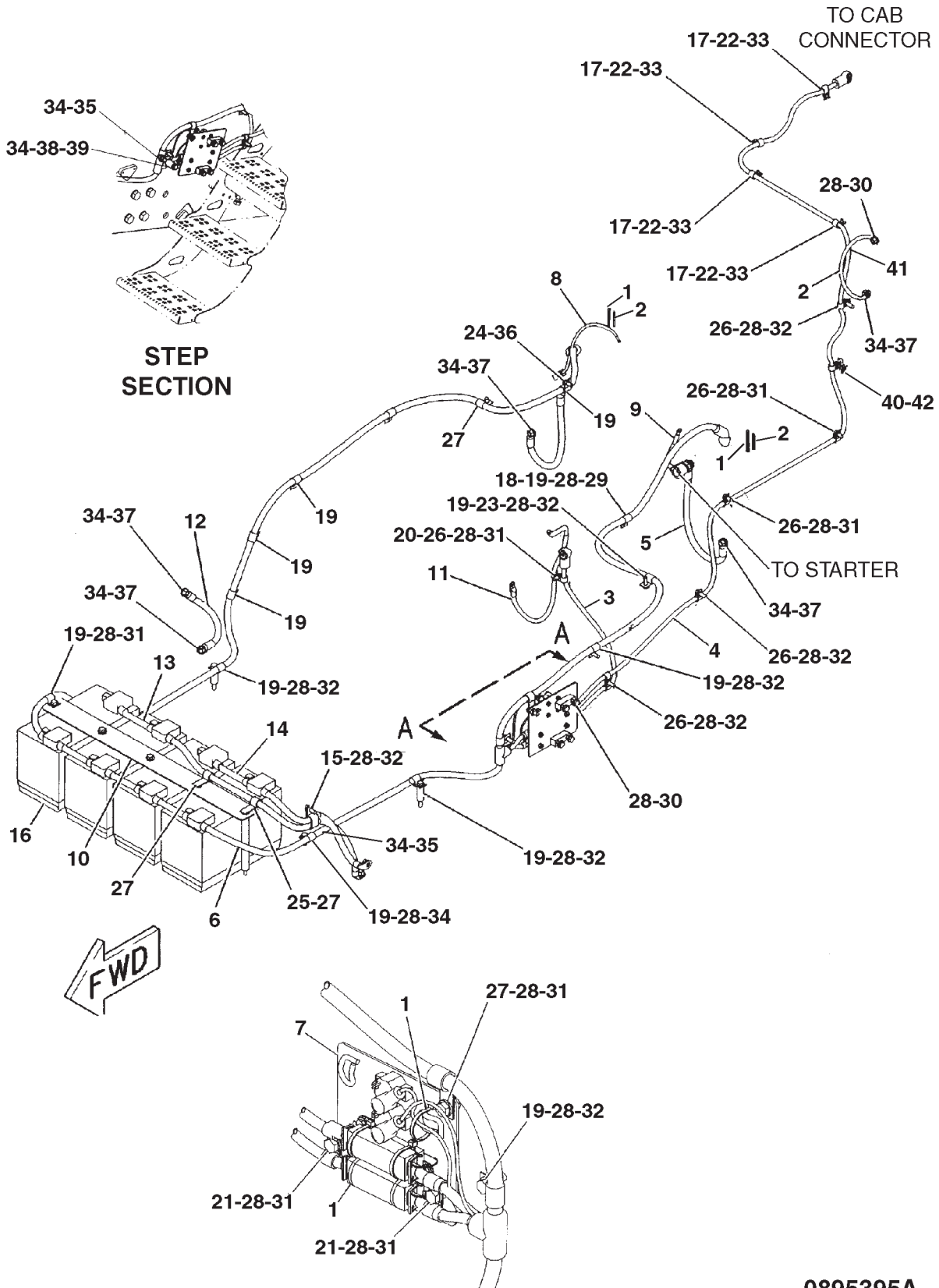
| ITEM | NUMBER | QTY | DESCRIPTION |
|------|------------|-----|---------------------------------|
| - | 206-8891 | - | TANK GP-FUEL [A] (NOT SERVICED) |
| 1 | 400108X1 | 1 | CLAMP-HOSE |
| 2 | 193-7868 | 1 | TANK GP-FUEL |
| | 9S-7583 | 1 | PLUG (2 1/2-12) |
| | 030-4606 | 1 | SEAL-O-RING |
| 3 | CH210-2265 | | HOSE (19 CM) |
| 4 | CH7X-0618 | 6 | WASHER-HARD (13.5X40X5) |
| 5 | 400057X1 | 6 | BOLT (M12X1.75X50MM) |

[A] PART OF 197-8558 TANK AR-FUEL

00891934
PR: t05b22n43d0066

MT800B SERIES TRACTORS
ELECTRICAL & STARTING

BATTERY & WIRING GP - 136-5662
4 BATTERIES W/O DISCONNECT SWITCH



VIEW A-A

0895395A

**MT800B SERIES TRACTORS
ELECTRICAL & STARTING**

185

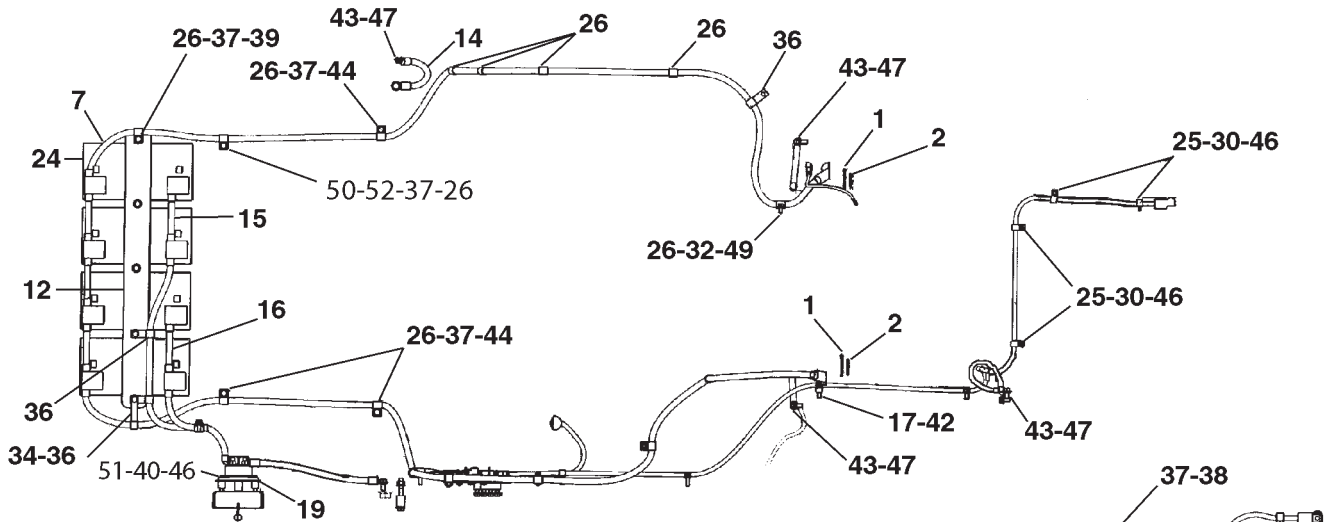
**BATTERY & WIRING GP - 136-5662
4 BATTERIES W/O DISCONNECT SWITCH**

| ITEM | NUMBER | QTY | DESCRIPTION |
|------|------------|-----|--|
| - | 136-5662 | - | BATTERY & WIRING GP (NOT SERVICED) |
| 1 | 400837X1 | 9 | STRAP |
| 2 | CH7K-1181 | 5 | STRAP-CABLE |
| 3 | 502259D1 | 1 | CABLE ASM-BATTERY (POSITIVE) |
| | 400820X1 | 1 | BOOT |
| 4 | 502203D1 | 1 | CABLE ASM-BATTERY (POSITIVE) |
| | 400820X1 | 1 | BOOT |
| 5 | 502200D1 | 2 | CABLE ASM (NEGATIVE) |
| 6 | 502205D1 | 1 | CABLE ASM (POSITIVE) |
| 7 | 136-5654 | 1 | CIRCUIT BREAKER GP (NOT SERVICED) (SEE BREAKDOWN FOR COMPONENTS) |
| 8 | 502199D1 | 1 | HARNESS ASM (STARTER CONNECTOR) |
| | 400496X1 | 1 | PIN |
| | 400511X1 | 1 | WEDGE |
| | 400472X1 | 1 | PLUG |
| 9 | 502201D1 | 1 | CABLE ASM (STARTING MOTOR) |
| 10 | 142-9739 | 1 | MOUNTING GP-BATTERY (NOT SERVICED) (SEE BREAKDOWN FOR COMPONENTS) |
| 11 | 500627D1 | 1 | CABLE ASM (NEGATIVE) |
| 12 | 502258D1 | 1 | CABLE ASM (NEGATIVE) |
| 13 | 501110D1 | 1 | CABLE (NEGATIVE) |
| 14 | 501112D1 | 1 | CABLE (NEGATIVE) |
| 15 | CH100-4336 | 1 | CLIP |
| 16 | 502446D1 | 4 | BATTERY (LOW MAINTENANCE) |
| | CH123-1373 | 6 | PLUG ASM-FILLER |
| 17 | CH134-3988 | 4 | CLIP |
| 18 | CH211-3590 | 1 | SPACER |
| 19 | CH3S-8664 | 14 | CLIP |
| 20 | CH4D-9517 | 1 | CLIP |
| 21 | CH4K-8864 | 4 | CLIP |
| 22 | 400152X1 | 4 | BOLT (M6X1X16MM) |
| 23 | CH5J-4715 | 1 | WASHER (10.3X20.6X4.2) |
| 24 | 5M-3062 | 1 | BOLT (3/8-16X0.75 IN) |
| 25 | 8D-9671 | 1 | CLIP |
| 26 | CH8M-2770 | 8 | CLIP |
| 27 | CH8S-0948 | 4 | CLIP |
| 28 | 400287X1 | 25 | WASHER-HARD (11X21X2.5) |
| 29 | | | NOT USED |
| 30 | 400039X1 | 6 | BOLT (M10X1.5X25MM) |
| 31 | 400040X1 | 6 | BOLT (M10X1.5X20MM) |
| 32 | 400058X1 | 11 | BOLT (M10X1.5X30MM) |
| 33 | CH8T-4205 | 4 | WASHER-HARD (7.2X14.5X2MM) |
| 34 | 400357X1 | 9 | WASHER-HARD (M12X25.5X3) |
| 35 | CH8T-4244 | 1 | NUT (M12X1.75) |
| 36 | CH8T-4896 | 1 | WASHER-HARD (10X18.5X2.5) |
| 37 | 400055X1 | 7 | BOLT (M12X1.75) |
| 38 | 400046X1 | 1 | BOLT (M12X1.75) |
| 39 | CH8V-9708 | 1 | SPACER |
| 40 | 200-8649 | 1 | SPACER |
| 41 | 502266D1 | 1 | CABLE ASM-GROUND |
| 42 | 400052X1 | 1 | BOLT (M10X1.5) |

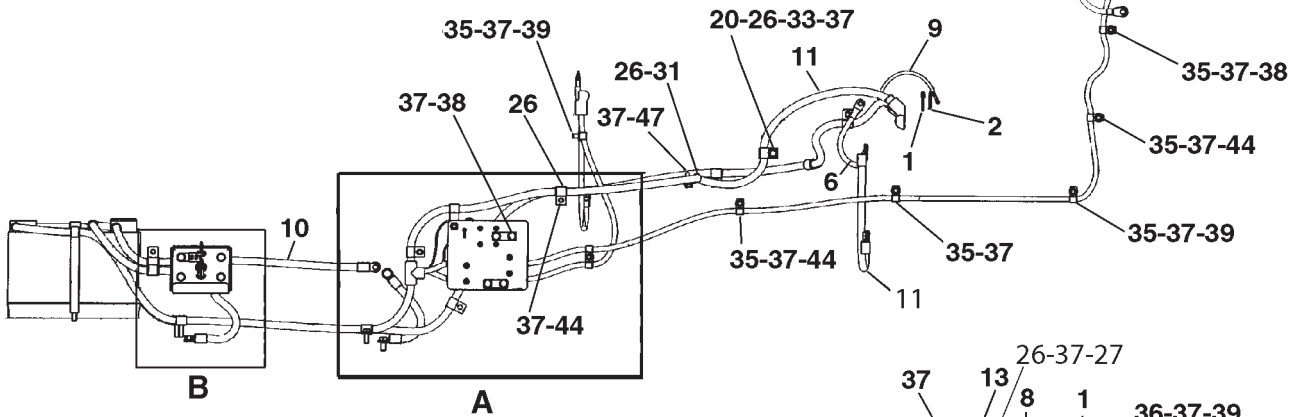
0895395A
PR: t05b22n43d0067

MT800B SERIES TRACTORS
ELECTRICAL & STARTING

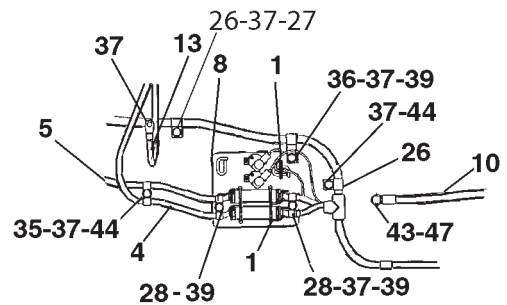
BATTERY & WIRING GP - 136-5663
4 BATTERIES W/DISCONNECT SWITCH



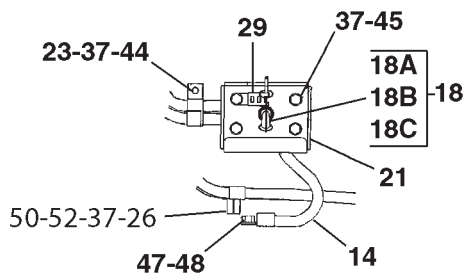
TOP VIEW



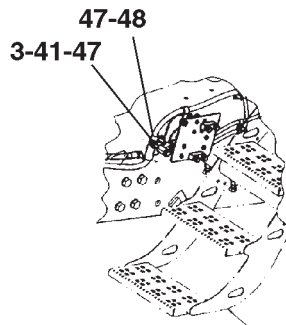
LEFT SIDE VIEW



DETAIL A



DETAIL B



STEP VIEW

**MT800B SERIES TRACTORS
ELECTRICAL & STARTING**

187

**BATTERY & WIRING GP - 136-5663
4 BATTERIES W/DISCONNECT SWITCH**

| ITEM | NUMBER | QTY | DESCRIPTION |
|------|------------|-----|--|
| - | 136-5663 | - | BATTERY & WIRING GP [A] (NOT SERVICED) |
| 1 | 400837X1 | 9 | STRAP-CABLE |
| 2 | CH7K-1181 | 5 | STRAP-CABLE |
| 3 | CH8V-9708 | 1 | SPACER |
| 4 | 502259D1 | 1 | CABLE ASM-BATTERY (POSITIVE) |
| | 400820X1 | 1 | BOOT |
| | 400790X1 | 2 | TERMINAL |
| 5 | 502203D1 | 1 | CABLE ASM-BATTERY (POSITIVE) |
| | 400820X1 | 1 | BOOT |
| 6 | 502200D1 | 2 | CABLE ASM (NEGATIVE) |
| 7 | 502205D1 | 1 | CABLE ASM-POSITIVE |
| 8 | 136-5654 | 1 | CIRCUIT BREAKER GP (NOT SERVICED) (SEE BREAKDOWN FOR COMPONENTS) |
| 9 | 502199D1 | 1 | HARNESS ASM (STARTER CONNECTOR) |
| | 400496X1 | 1 | PIN |
| | 400511X1 | 1 | WEDGE |
| | 400472X1 | 1 | PLUG |
| 10 | 502207D1 | 1 | CABLE ASM (NEGATIVE) |
| 11 | 502201D1 | 1 | CABLE ASM (NEGATIVE) |
| 12 | 142-9739 | 1 | MOUNTING GP-BATTERY (NOT SERVICED) (SEE BREAKDOWN FOR COMPONENTS) |
| 13 | 502183D1 | 1 | CABLE ASM (NEGATIVE) |
| 14 | 502258D1 | 2 | CABLE ASM (NEGATIVE) |
| 15 | 501109D1 | 1 | CABLE (NEGATIVE) |
| 16 | 501111D1 | 1 | CABLE (NEGATIVE) |
| 17 | CH200-8649 | 1 | SPACER |

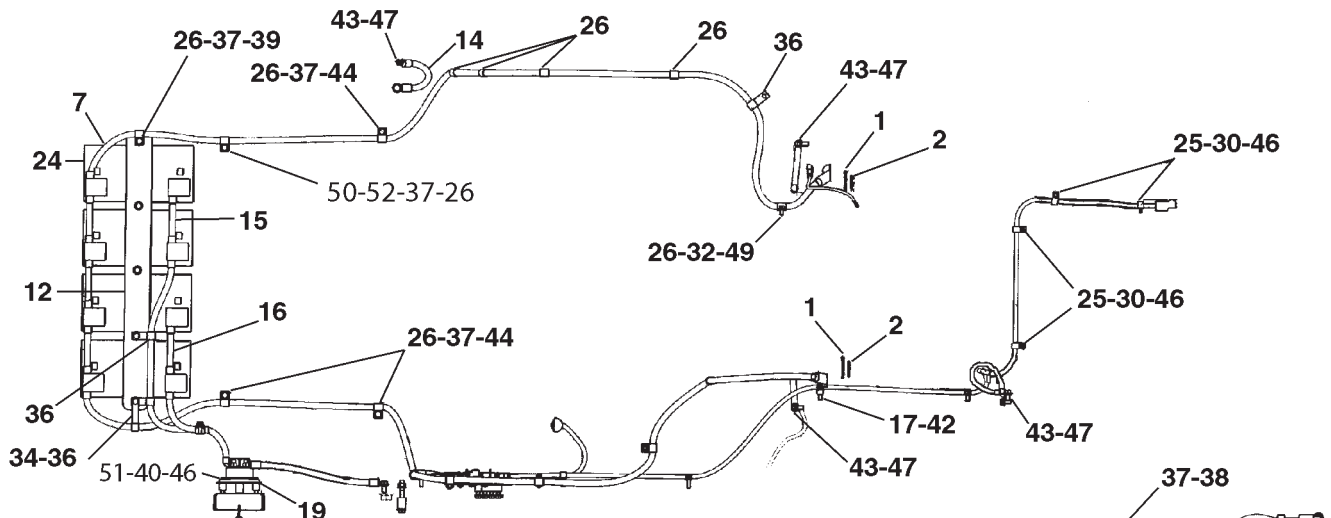
CONTINUED

[A] PART OF: 179-2195; 179-2196;
501593D1; 501594D1; 501595D1;
501596D1; 501597D1 BASE UNIT AR;
222-4146; 500767D1; 500849D1;
502667D1 CAB AR;
502906D1 BATTERY GP

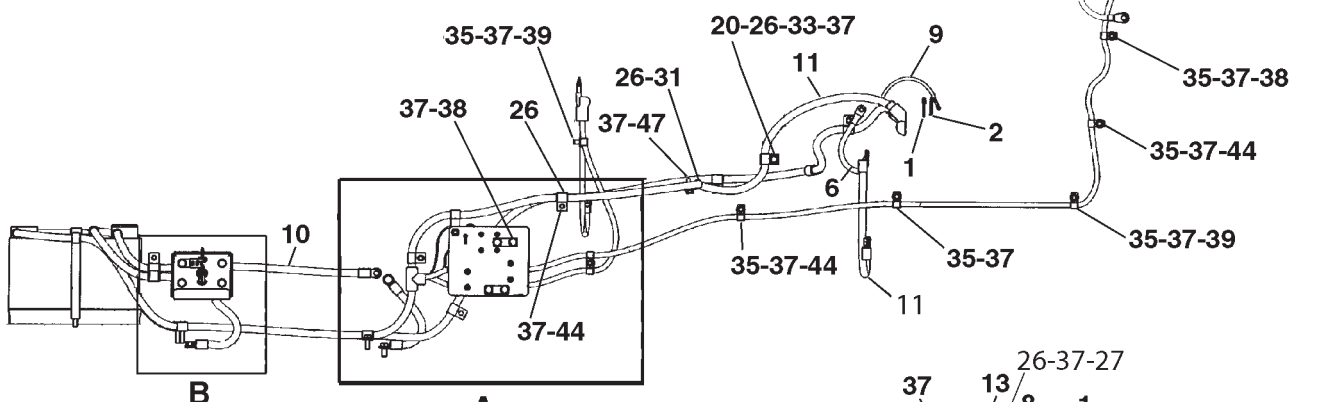
0892416B
PR: t05b22n43d0068

MT800B SERIES TRACTORS
ELECTRICAL & STARTING

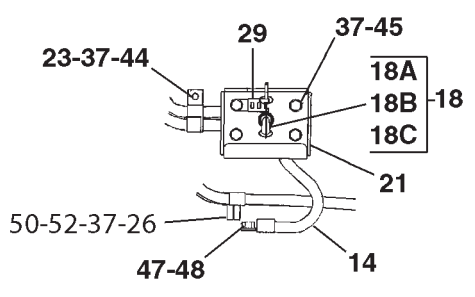
BATTERY & WIRING GP - 136-5663
4 BATTERIES WITH DISCONNECT SWITCH



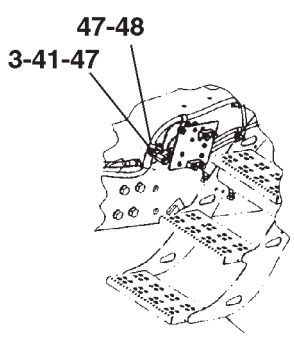
TOP VIEW



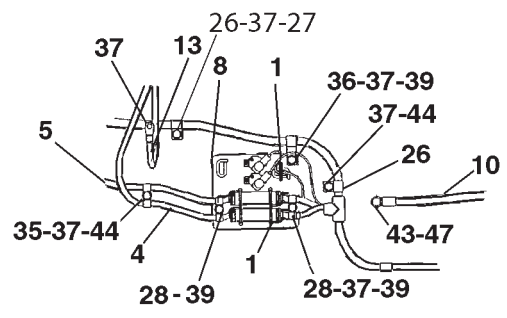
LEFT SIDE VIEW



DETAIL B



STEP VIEW



DETAIL A

**MT800B SERIES TRACTORS
ELECTRICAL & STARTING**

189

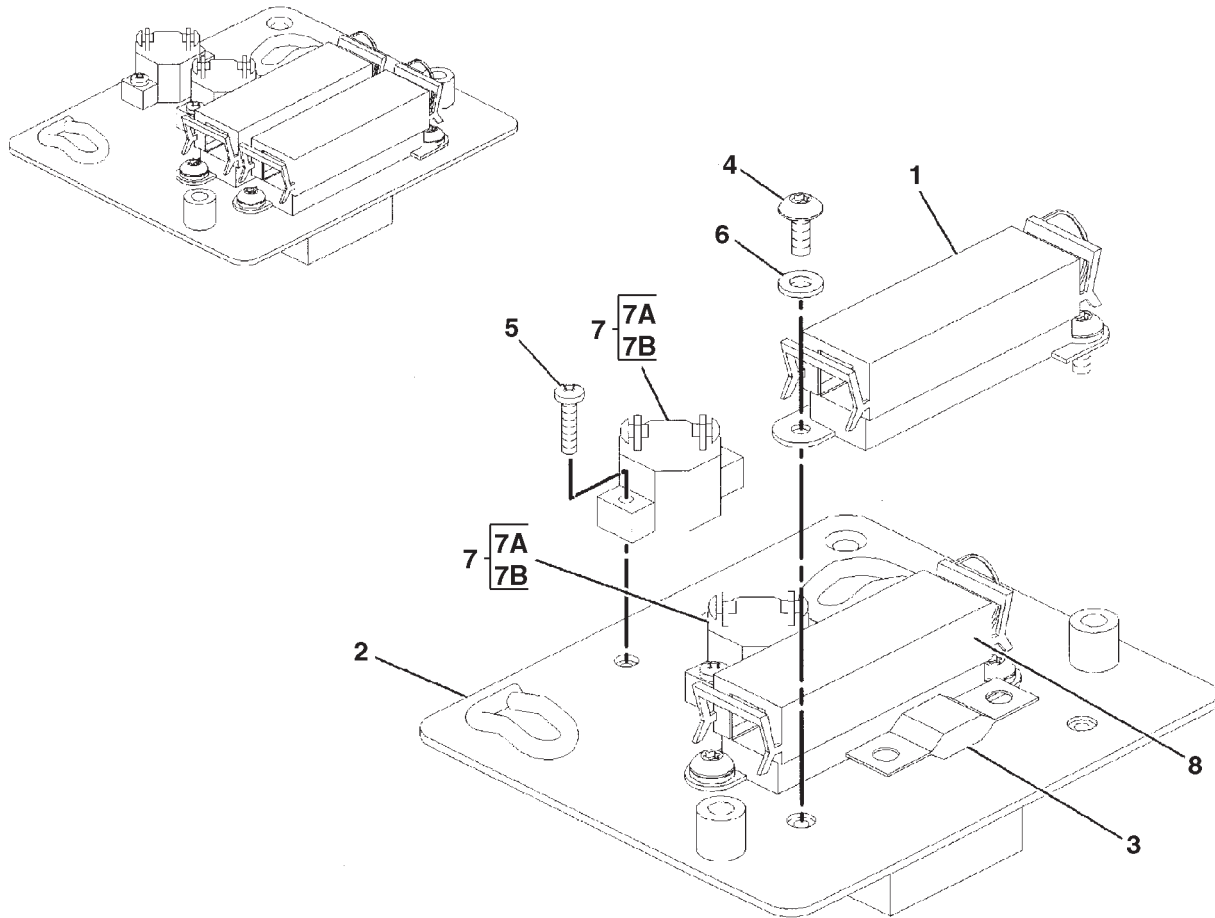
**BATTERY & WIRING GP - 136-5663
4 BATTERIES WITH DISCONNECT SWITCH**

| ITEM | NUMBER | QTY | DESCRIPTION |
|------|------------|-----|--|
| - | 136-5663 | - | BATTERY & WIRING GP [A] (NOT SERVICED) |
| 18 | 201-2441 | 1 | SWITCH ASM-DISCONNECT (SERVICE REPAIR ORDER 18A THRU 18C) |
| 18A | 400357X1 | 4 | WASHER-HARD (M12X25.5X3) |
| 18B | CH8T-4244 | 4 | NUT (M12X1.75) |
| 18C | 201-2442 | 1 | KEY |
| 19 | 203-0128 | 1 | PLATE ASM |
| | 500417D1 | 4 | BOSS (M10X20MM) |
| 20 | CH211-3590 | 1 | SPACER |
| 21 | 218-2771 | 1 | GUARD |
| 22 | 223-0687 | 1 | CABLE ASM-GROUND |
| 23 | CH100-4336 | 1 | CLIP |
| 24 | 502446D1 | 4 | BATTERY (MAINT-FREE 12V-WET) |
| | 123-1373 | 6 | PLUG ASM-FILLER |
| 25 | CH134-3988 | 4 | CLIP-LOOP (15.88 ID COATED) |
| 26 | CH3S-8664 | 14 | CLIP-LOOP (19.05 ID) |
| 27 | CH132-5789 | 1 | CLIP-LADDER (90DEGX47.5MM VCOAT) |
| 28 | CH4K-8864 | 4 | CLIP-LOOP (14.29 ID) |
| 29 | CH4P-7581 | 1 | CLIP-LADDER (15DEGX12.5MM VCOAT) |
| 30 | 400152X1 | 4 | BOLT (M6X1X16MM) |
| 31 | CH5J-4715 | 1 | WASHER (10.3X20.6X4.2) |
| 32 | 400153X1 | 1 | BOLT (3/8-16X0.75 IN) |
| 33 | 400176X1 | 1 | BOLT (3/8-16X133) |
| 34 | 400695X1 | 1 | CLIP-LOOP (20.64 ID) |
| 35 | CH8M-2770 | 8 | CLIP-LOOP (12.7 ID) |
| 36 | CH8S-0948 | 4 | CLIP-LOOP (20.64 ID) |
| 37 | 400287X1 | 29 | WASHER-HARD (11X21X2.5) |
| 38 | 400039X1 | 6 | BOLT (M10X1.5X25MM) |
| 39 | 400040X1 | 6 | BOLT (M10X1.5X20MM) |
| 40 | 400221X1 | 2 | BOLT (M6X1X20MM) |
| 41 | 400046X1 | 1 | BOLT (M12X1.75X90) |
| 42 | 400052X1 | 1 | BOLT (M10X1.5X40) |
| 43 | 400055X1 | 6 | BOLT (M12X1.75X25) |
| 44 | 400058X1 | 9 | BOLT (M10X1.5X30MM) |
| 45 | 400059X1 | 4 | BOLT (M10X1.5X35MM) |
| 46 | CH8T-4205 | 8 | WASHER-HARD (7.2X14.5X2MM) |
| 47 | 400357X1 | 9 | WASHER-HARD (M12X25.5X3) |
| 48 | CH8T-4244 | 2 | NUT (M12X1.75) |
| 49 | CH8T-4896 | 1 | WASHER-HARD (10.2X18.5X2.5) |
| 50 | CH212-0279 | 2 | SPACER (19.1ODX11.1X62) |
| 51 | 400300X1 | 2 | NUT (M6X1) |
| 52 | 400225X1 | 1 | BOLT (M10X1.5X90) |

[A] PART OF: 179-2195; 179-2196;
501593D1; 501594D1; 501595D1;
501596D1; 501597D1 BASE UNIT AR;
222-4146; 500767D1; 500849D1;
502667D1 CAB AR;
502906D1 BATTERY GP

0892416B
PR: t05b22n43d0068

CIRCUIT BREAKER GP - 136-5654
ELECTRONIC CONTROL MODULE



MT800B SERIES TRACTORS
ELECTRICAL & STARTING

191

CIRCUIT BREAKER GP - 136-5654
ELECTRONIC CONTROL MODULE

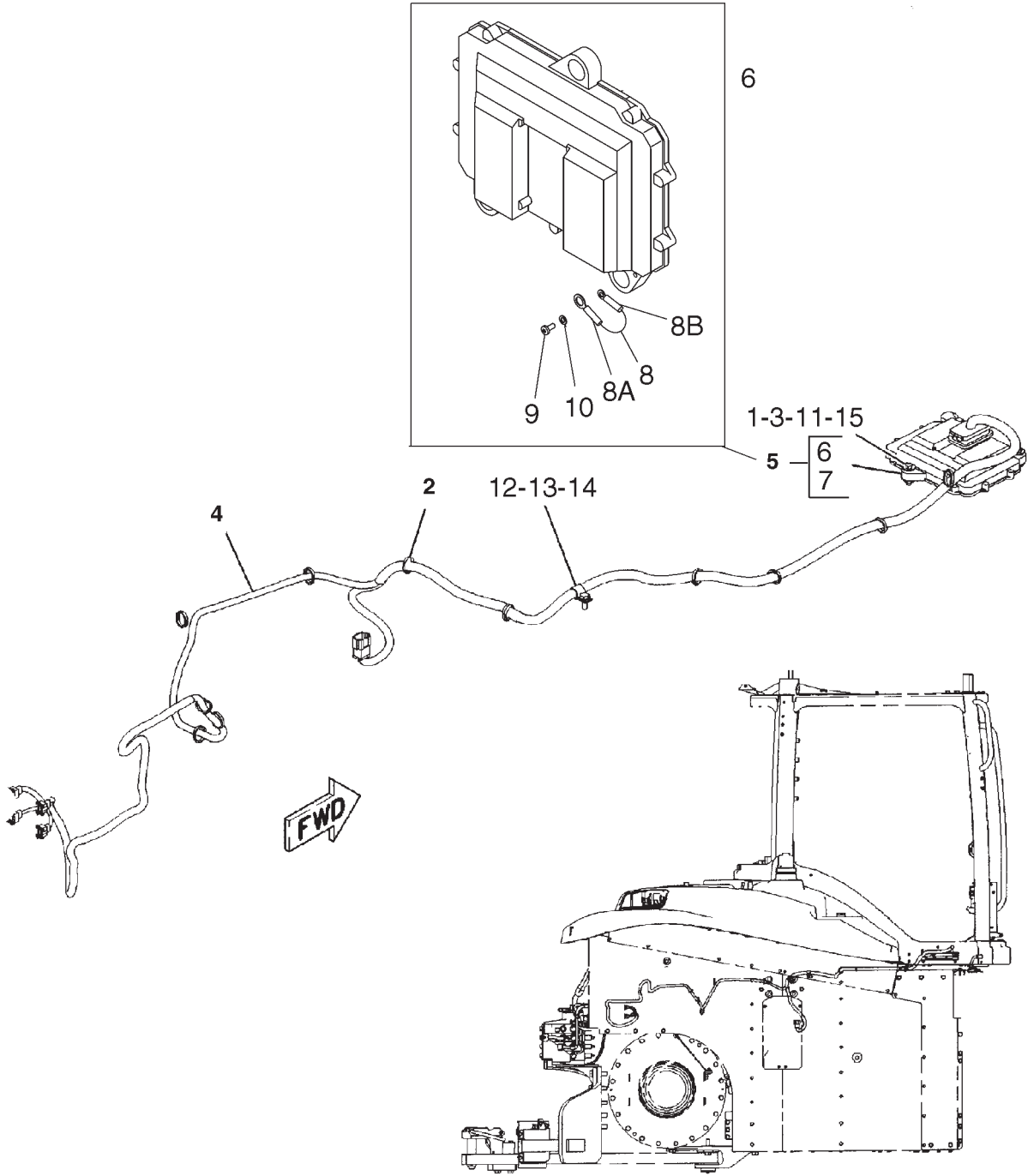
| ITEM | NUMBER | QTY | DESCRIPTION |
|------|------------|-----|---|
| - | 136-5654 | - | CIRCUIT BREAKER GP [A] (NOT SERVICED) |
| 1 | 136-5600 | 1 | FUSE (BATTERY)(175 AMP) |
| 2 | 136-5655 | 1 | BRACKET ASM |
| | | 3 | PLATE (NOT SERVICED SEPARATELY) |
| | CH111-0483 | 2 | BOSS (M10X1.5MM) |
| | CH8T-3490 | 1 | NUT-WELD (M10X1.5) |
| | 400313X1 | 4 | NUT-WELD (M6X1) |
| | CH7T-1099 | 2 | LINK |
| | CH8T-8874 | 4 | NUT-WELD (M5X0.8) |
| 3 | 155-0038 | 2 | HOLDER-FUSE |
| 4 | CH9X-2044 | 4 | SCREW-TRUSS HEAD (M6X1X16MM) |
| 5 | CH8T-4127 | 4 | SCREW-MACHINE (M5X0.8X20MM) |
| 6 | CH8T-4205 | 4 | WASHER-HARD (7.2X14.5X2MM) |
| 7 | CH9H-1958 | 1 | CIRCUIT BREAKER GP (20 AMP)(ENGINE ECM) |
| 7A | CH6V-8376 | 2 | SCREW-MACHINE (8-32X0.25 IN) |
| 7B | CH9B-7233 | 2 | LOCKWASHER |
| 8 | 220-5736 | 1 | FUSE (ALTERNATOR)(175 AMP) |

[A] PART OF 136-5658;136-5659;136-5662;
136-5663 BATTERY & WIRING GP

0899311A
PR: t05b22n43d0069

MT800B SERIES TRACTORS
ELECTRICAL & STARTING

CONTROL & WIRING GP - 136-5670



RIGHT SIDE VIEW

1365670E

**MT800B SERIES TRACTORS
ELECTRICAL & STARTING**

193

CONTROL & WIRING GP - 136-5670

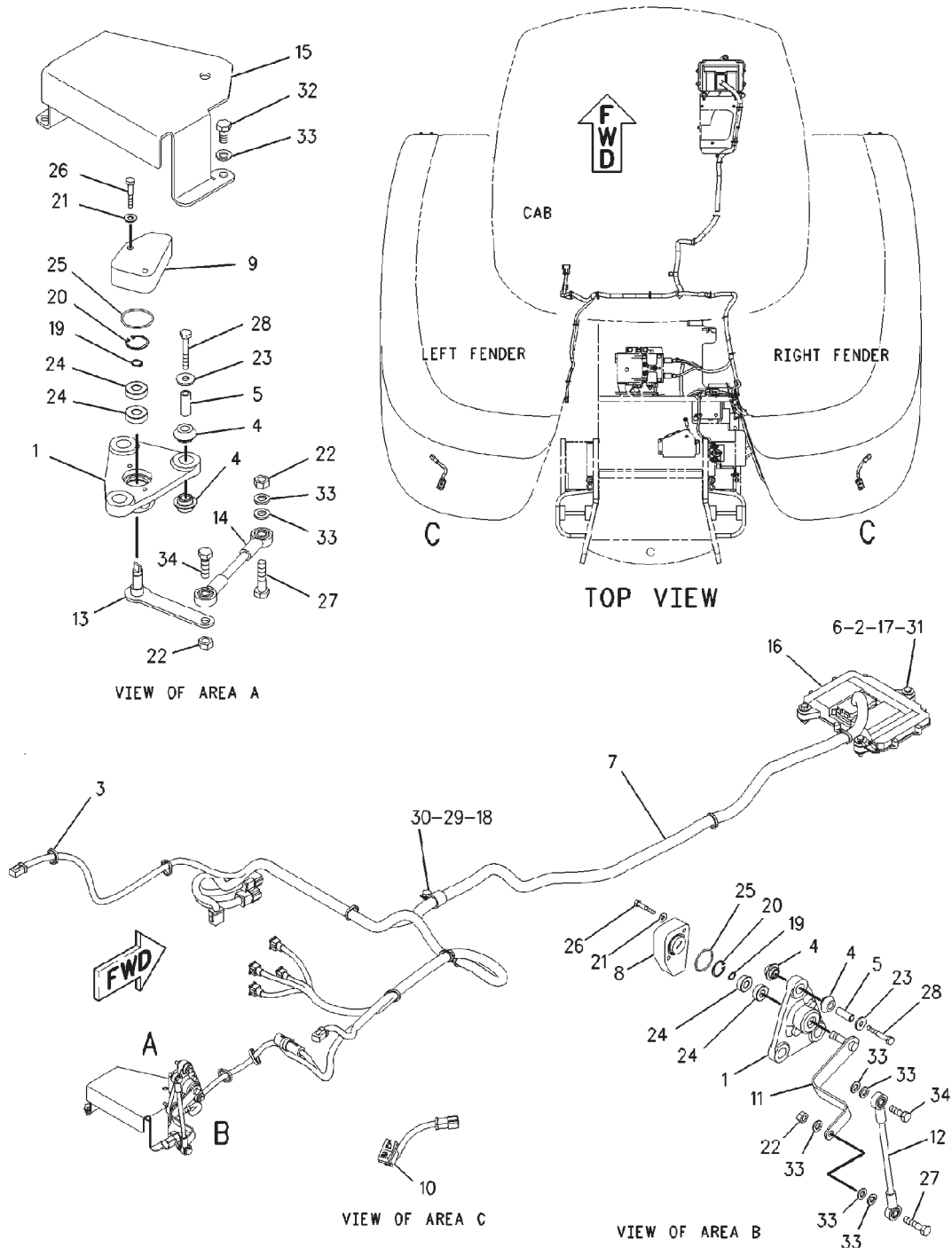
| ITEM | NUMBER | QTY | DESCRIPTION |
|------|------------|-----|--|
| - | 136-5670 | - | CONTROL & WIRING GP [A][B] |
| 1 | CH6I-1418 | 3 | SPACER (8.2X12.7X28.7) |
| 2 | CH7K-1181 | 11 | STRAP-CABLE |
| 3 | CH8T-9655 | 6 | MOUNT (ISOLATION) |
| 4 | 136-5536 | 1 | HARNESS ASM |
| 5 | 229-0888 | 1 | ELECTRONICS GP (INCLS ITEMS 6 & 7) (NOT SERVICED) |
| 6 | 216-0658 | 1 | CONTROL GP (INCLS ITEMS 8 THRU 10) |
| | CH126-1773 | 1 | CAP-CONNECTOR (SEALED) |
| 7 | 256-0184 | 1 | SOFTWARE (FOR SOFTWARE INFO CALL SERVICE/WARRANTY 507-847-7222) |
| 8 | CH7X-6315 | 1 | STRAP ASM (INCLS 8A & 8B) |
| 8A | CH139-6911 | 1 | TERMINAL-RING |
| 8B | CH7H-1177 | 1 | TERMINAL-RING |
| 9 | CH120-4897 | 1 | SCREW-PAN HEAD (M4X0.7X9.5) |
| 10 | CH134-4126 | 1 | WASHER (4.52X8.28X.76) |
| 11 | 400001X1 | 3 | BOLT (M8X1.25X40MM) |
| 12 | CH8M-2773 | 1 | CLIP |
| 13 | 400287X1 | 1 | WASHER-HARD (11X21X2.5) |
| 14 | 400039X1 | 1 | BOLT (M10X1.5X25MM) |
| 15 | CH9N-0869 | 3 | WASHER-HARD (8.8X25.5X2) |

[A] PART OF:
180-1438 VALVE AR-IMPL
500795D1 VALVE AR-IMPL
502052D1 VALVE AR-IMPL
502218D1 CONVERSION GP-CONTROL VALVE
185-8699 CONVERSION GP-CONTROL VALVE

1365670E
PR: t05b22n43d0070

MT800B SERIES TRACTORS
ELECTRICAL & STARTING

CONTROL & WIRING GP-HITCH - 136-5378
LIFT CIRCUIT



**MT800B SERIES TRACTORS
ELECTRICAL & STARTING**

195

**CONTROL & WIRING GP-HITCH - 136-5378
LIFT CIRCUIT**

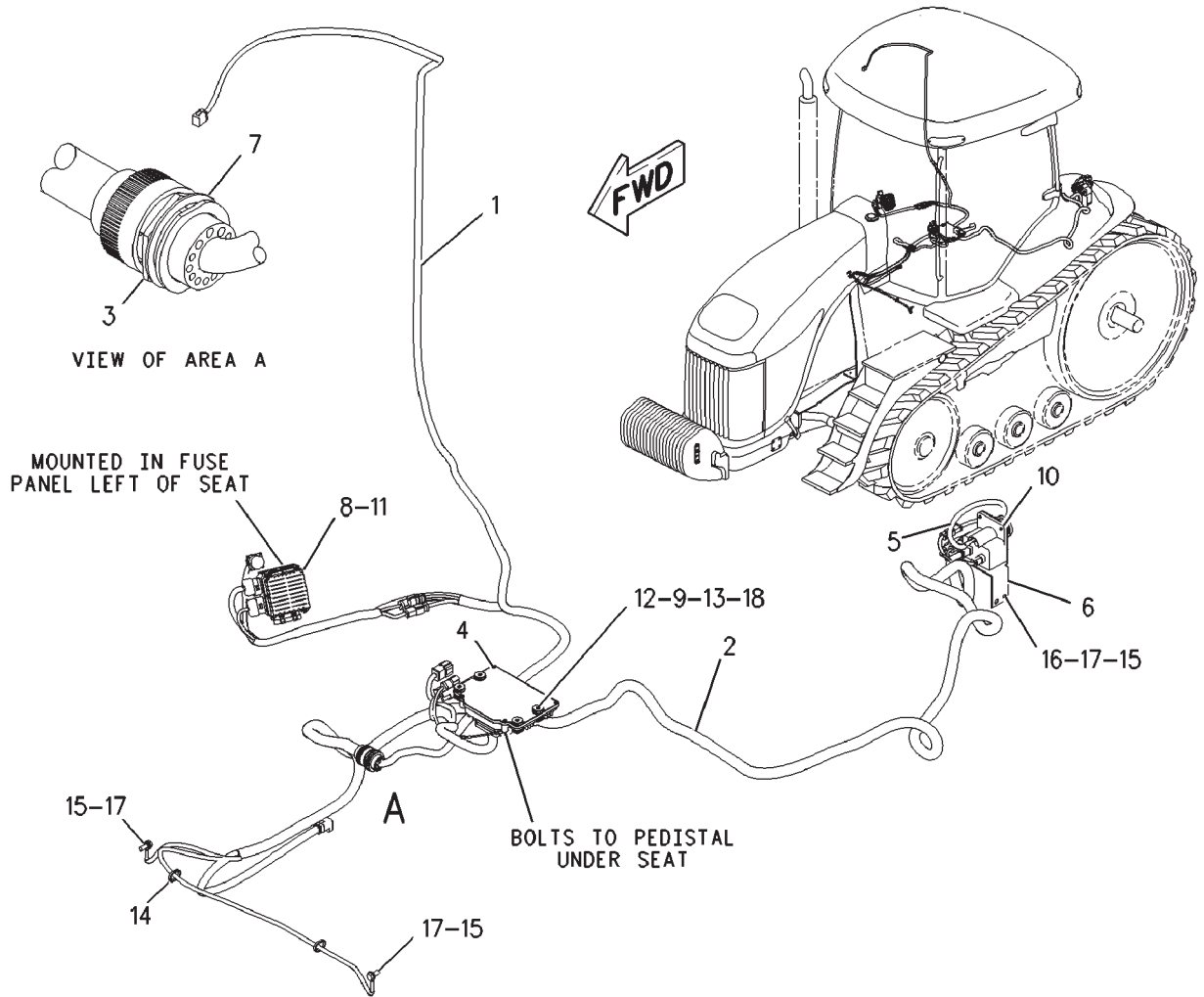
| ITEM | NUMBER | QTY | DESCRIPTION |
|------|-----------|-----|--|
| - | 136-5378 | - | CONTROL & WIRING GP-HITCH [A] (NOT SERVICED) |
| 1 | 4E-2250 | 2 | HOUSING |
| 2 | CH6I-1418 | 3 | SPACER (8.2X12.7X28.7) |
| 3 | CH7K-1181 | 17 | STRAP-CABLE |
| 4 | CH8C-5607 | 12 | MOUNT (ISOLATION) |
| 5 | CH8C-5608 | 6 | SPACER (6.5X9.5X25.4) |
| 6 | CH8T-9655 | 6 | MOUNT (ISOLATION) |
| 7 | 501118D1 | 1 | HARNES ASM-3PT HITCH |
| 8 | 500619D1 | 1 | SENSOR GP-POSITION (REAR HITCH HEIGHT-OUTER) (SEE BREAKDOWN FOR COMPONENTS) |
| 9 | 502003D1 | 1 | SENSOR GP-POSITION (REAR HITCH HEIGHT-INNER) (SEE BREAKDOWN FOR COMPONENTS) |
| 10 | 171-1229 | 2 | SWITCH ASM (REAR HITCH RAISE/LOWER) (INCLS RECEPTACLE) |
| | 102-8804 | 1 | KIT-RECEPTACLE (4 PIN)(W/WEDGE) |
| 11 | 190-2838 | 1 | ARM ASM |
| 12 | 190-2839 | 1 | ROD ASM |
| 13 | 198-8376 | 1 | ARM ASM |
| 14 | 198-8377 | 1 | ROD ASM |
| 15 | 199-6263 | 1 | SHIELD |
| 16 | 229-0891 | 1 | ELECTRONICS GP-A2004 (HITCH SDM) (NOT SERVICED) (SEE BREAKDOWN FOR COMPONENTS) |
| 17 | CH9N-0869 | 3 | WASHER-HARD (8.8X25.5X2) |
| 18 | CH1S-0994 | 1 | CLIP (20.64ID) |
| 19 | CH2H-3429 | 2 | RING-RETAINING |
| 20 | CH2L-6726 | 2 | RING-RETAINING |
| 21 | CH4B-4274 | 4 | WASHER (5.5X13X1.2) |
| 22 | 400340X1 | 3 | NUT (M8X1.25) |
| 23 | CH5P-4115 | 6 | WASHER-HARD (7.2X19X2) |
| 24 | CH6D-3025 | 4 | BALL BEARING |
| 25 | CH6V-0894 | 2 | SEAL-O-RING |
| 26 | 400160X1 | 4 | BOLT (M5X0.8X30MM) |
| 27 | 400188X1 | 2 | BOLT (M8X1.25X35MM) |
| 28 | 400205X1 | 6 | BOLT (M6X1X40MM) |
| 29 | 400287X1 | 1 | WASHER-HARD (11X21X2.5) |
| 30 | 400039X1 | 1 | BOLT (M10X1.5X25MM) |
| 31 | 400060X1 | 3 | BOLT (M8X1.25X40MM) |
| 32 | 400227X1 | 3 | BOLT (M8X1.25X16MM) |
| 33 | 400339X1 | 10 | WASHER-HARD (8.8X16X2) |
| 34 | 400341X1 | 2 | BOLT (M8X1.25X25MM) |

[A] PART OF 169-0027;169-0028;179-0852;
180-6639 HITCH AR-3 POINT

00884276
PR: t05b22n43d0071

MT800B SERIES TRACTORS
ELECTRICAL & STARTING

CONTROL AR-COMMUNICATION - 216-0852
ISO



MT800B SERIES TRACTORS
ELECTRICAL & STARTING

197

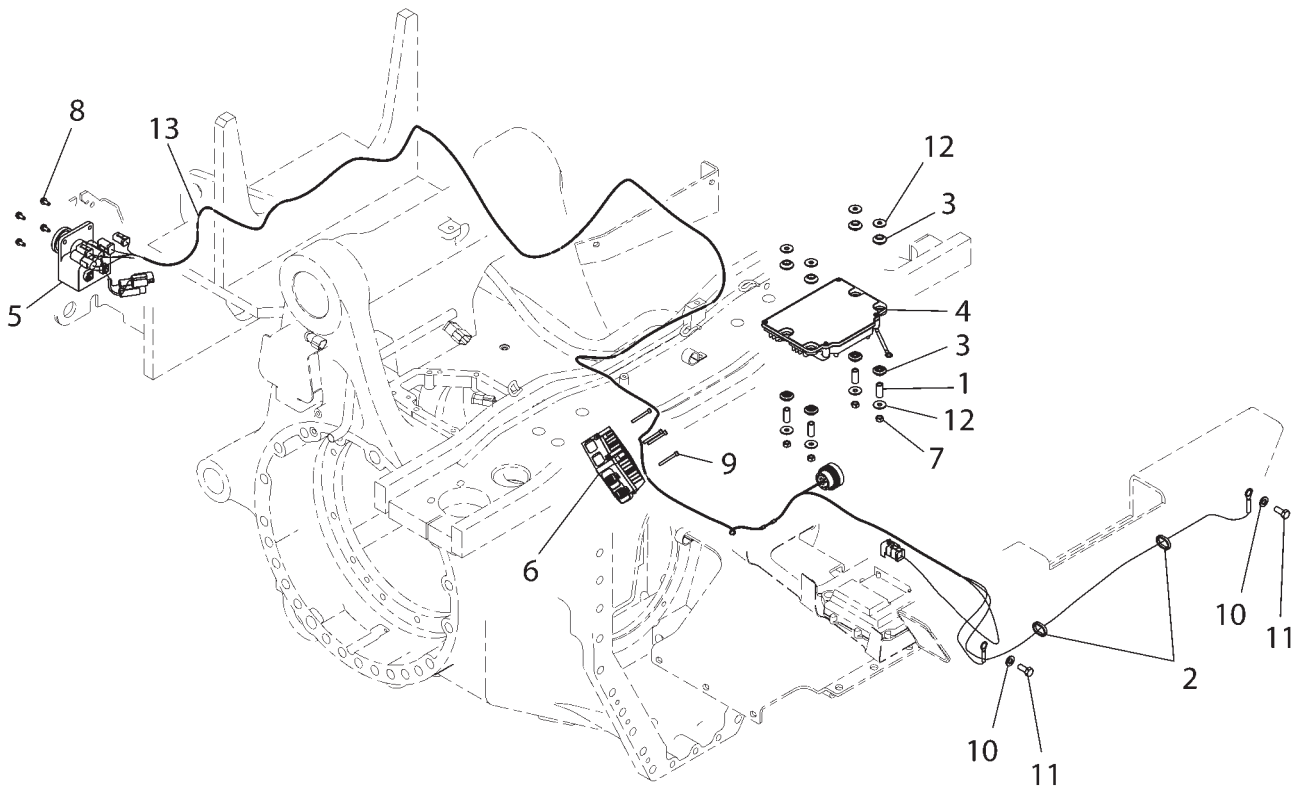
CONTROL AR-COMMUNICATION - 216-0852
ISO

| ITEM | NUMBER | QTY | DESCRIPTION |
|------|------------|-----|--|
| - | 216-0852 | - | CONTROL AR-COMM (NOT SERVICED) |
| 1 | 500910D1 | 1 | HARNESS ASM (MAIN CAB) |
| 2 | 502434D1 | 1 | HARNESS ASM (ISO) |
| | 502474D1 | 1 | TERMINATOR-ACTIVE |
| 3 | 400295X1 | 1 | NUT (1 11/16-18) |
| 4 | 216-0614 | 1 | ELECTRONICS GP-MACHINE (COMMUNICATION) (NOT SERVICED) (SEE BREAKDOWN FOR COMPONENTS) |
| 5 | 502486D1 | 1 | HARNESS ASM |
| 6 | 500510D1 | 1 | BRACKET |
| 7 | CH128-4249 | 1 | LOCKWASHER |
| 8 | 501829D1 | 1 | BLOCK ASY-FUSE |
| 9 | 400340X1 | 4 | NUT (M8X1.25) |
| 10 | CH6V-8931 | 4 | SCREW-WASHER HEAD (M6X1X16) |
| 11 | 400208X1 | 4 | BOLT-SOCKET HEAD (M5X0.8X40MM) |
| 12 | CH9N-0869 | 8 | WASHER-HARD (8.8X25.5X2) |
| 13 | CH6I-1418 | 4 | SPACER (8.2X12.7X28.7) |
| 14 | CH7K-1181 | 22 | STRAP-CABLE |
| 15 | 400287X1 | 2 | WASHER-HARD (11X21X2.5) |
| 16 | 7774664 | 2 | NUT (M10X1.5) |
| 17 | 400039X1 | 4 | BOLT (M10X1.5X25MM) |
| 18 | CH8T-9655 | 8 | MOUNT-ISOLATION |

00892916
PR: t05b22n43d0072

MT800B SERIES TRACTORS
ELECTRICAL & STARTING

CONTROL AR-MACHINE - 216-0874
ISO READY UPGRADE



2160874F

MT800B SERIES TRACTORS
ELECTRICAL & STARTING

199

CONTROL AR-MACHINE - 216-0874
ISO READY UPGRADE

| ITEM | NUMBER | QTY | DESCRIPTION |
|------|-----------|-----|--|
| - | 216-0874 | - | CONTROL AR-MACHINE |
| 1 | CH6I-1418 | 4 | SPACER |
| 2 | CH7K-1181 | 22 | STRAP-CABLE |
| 3 | 400941X1 | 8 | MOUNT-ISO |
| 4 | 216-0614 | 1 | ELECTRONICS GP-MACHINE (COMMUNICATION) (NOT SERVICED) (SEE BREAKDOWN FOR COMPONENTS) |
| 5 | 502486D1 | 1 | HARNESS ASM-ISO |
| | 502242D1 | 1 | HARNESS ASM |
| | 502487D1 | 1 | CONNECTOR ASM (REPLACEMENT PINS LISTED BELOW) |
| | 400382X1 | 2 | PIN-CONNECTOR (12-14AWG) |
| | 400899X1 | 2 | PIN-CONNECTOR (8-10AWG) |
| 6 | 501829D1 | 1 | PANEL GP-FUSE (SEE BREAKDOWN) |
| 7 | 400340X1 | 4 | NUT (M8X1.25) |
| 8 | CH6V-8931 | 4 | SCREW-WASHER HEAD (M6X1X16) |
| 9 | 400208X1 | 4 | BOLT-SOCKET HEAD (M5X0.8X40MM) |
| 10 | 400287X1 | 2 | WASHER-HARD |
| 11 | 400039X1 | 2 | BOLT (M10X1.5X25) |
| 12 | CH9N-0869 | 8 | WASHER-HARD (8.8X25.5X2) |
| 13 | 502434D1 | 1 | HARNESS ASM (W/TERMINATOR) |
| | 502435D1 | 1 | TERMINATOR-ACTIVE |

2160874F
PR: t05b22n43d0073

200

MT800B SERIES TRACTORS
ELECTRICAL & STARTING

CONTROL AR - AUTOGUIDE SYSTEM
500628D1

NO ILLUSTRATION

NOTIF3

MT800B SERIES TRACTORS
ELECTRICAL & STARTING

201

CONTROL AR - AUTOGUIDE SYSTEM
500628D1

| ITEM | NUMBER | QTY | DESCRIPTION |
|------|-----------|-----|---|
| - | 500628D1 | - | CONTROL AR (NOT SERVICED) (SEE BREAKDOWN FOR COMPONENTS) |
| | 79019518B | | MANUAL, OPERATOR'S-AUTOGUIDE |
| | 500606D1 | 1 | SWITCH GP-GUIDANCE (NOT SERVICED) (SEE BREAKDOWN FOR COMPONENTS) |
| | 500607D1 | 1 | TRANSMITTER & RECEIVER GP (GPS) (NOT SERVICED) (SEE BREAKDOWN FOR COMPONENTS) |

NOTIF3
PR: t05b22n43d0074

202

MT800B SERIES TRACTORS
ELECTRICAL & STARTING

KIT CONTROL AR-AUTOGUIDE SYSTEM
500630D1
FIELD INSTALLED

NO ILLUSTRATION

NOTIF3

MT800B SERIES TRACTORS
ELECTRICAL & STARTING

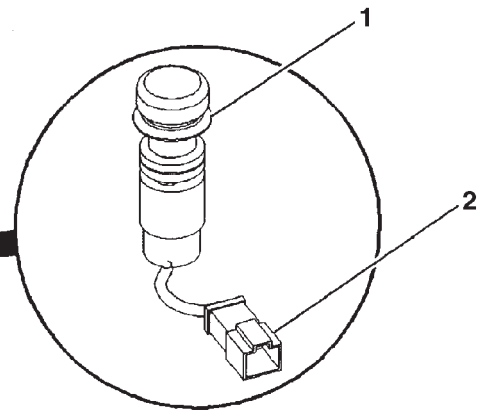
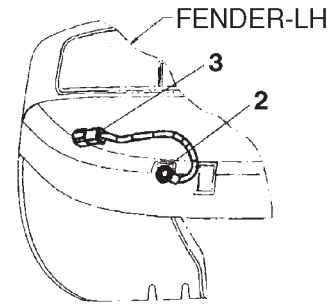
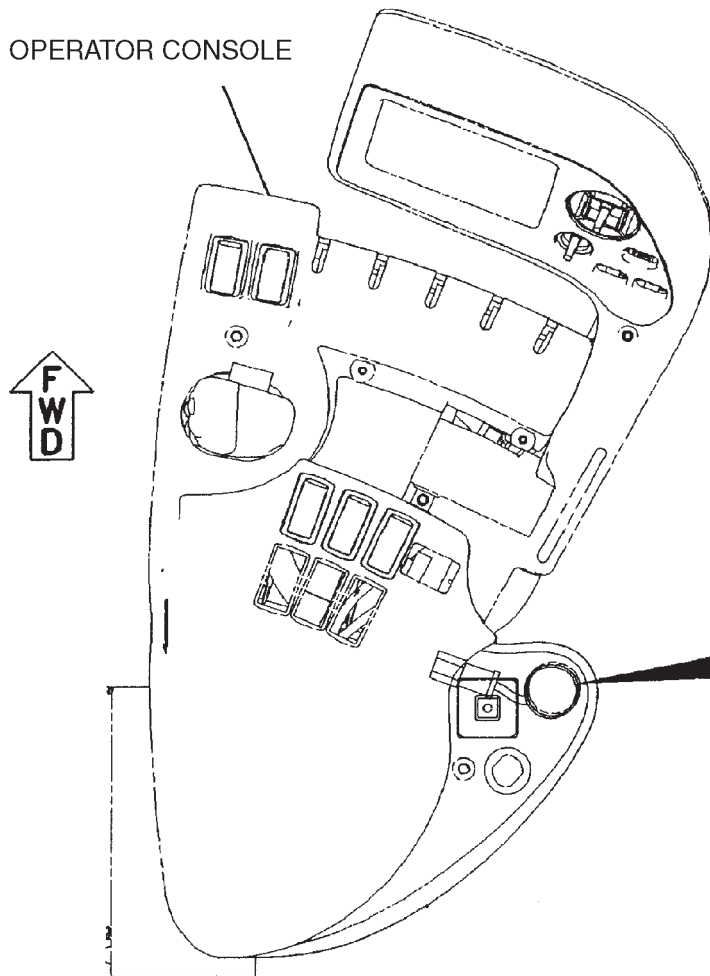
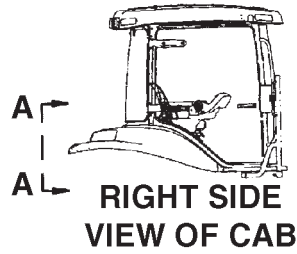
203

KIT CONTROL AR-AUTOGUIDE SYSTEM
500630D1
FIELD INSTALLED

| ITEM | NUMBER | QTY | DESCRIPTION |
|------|-----------|-----|---|
| - | 500630D1 | - | KIT CONTROL AR |
| 1 | 79019518B | 1 | MANUAL, OPERATOR'S - AUTOGUIDE |
| 2 | 500606D1 | 1 | SWITCH GP-GUIDANCE (GPS) (NOT SERVICED) (SEE BREAKDOWN FOR COMPONENTS) |
| 3 | 500607D1 | 1 | RECEIVER GP-TRANSMITTER (GPS) (SEE BREAKDOWN FOR COMPONENTS) |
| 4 | 500611D1 | 1 | GROMMET-RH (HANDRAIL) (MT700 ONLY) |

NOTIF3
PR: t05b22n43d0075

CONTROL GP-POWER TAKE-OFF - 152-0446
ROW



TOP VIEW

MT800B SERIES TRACTORS
ELECTRICAL & STARTING

205

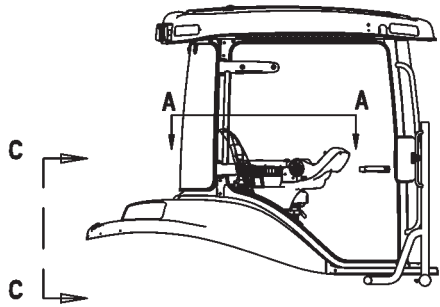
CONTROL GP-POWER TAKE-OFF - 152-0446
ROW

| ITEM | NUMBER | QTY | DESCRIPTION |
|------|----------|-----|--|
| - | 152-0446 | - | CONTROL GP-PTO [A] (NOT SERVICED) |
| 1 | 502423D1 | 1 | KIT-PTO SWITCH ADAPT (SEE BREAKDOWN FOR COMPONENTS) |

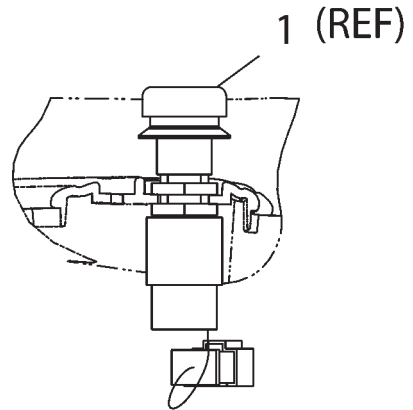
[A] PART OF 163-0400 KIT-PTO

0902284B
PR: t05k07n15a0003

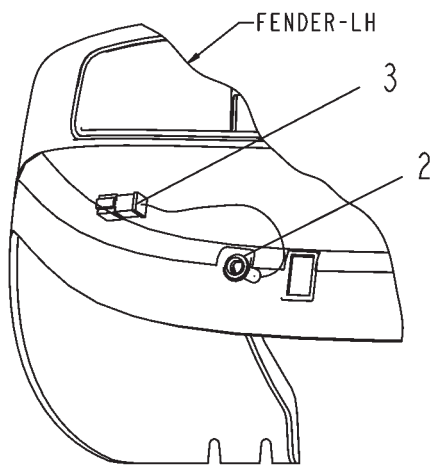
CONTROL GP-POWER TAKE-OFF - 224-5884
EAME



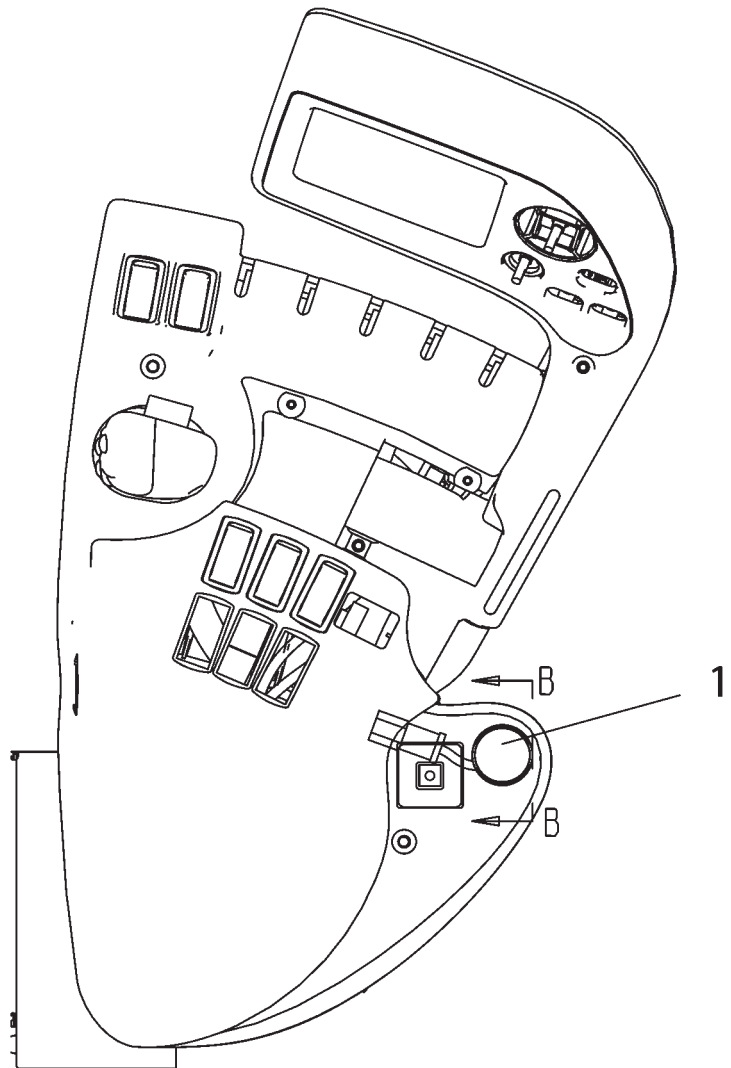
RIGHT SIDE VIEW OF CAB



VIEW B-B
ROTATED CW 90°



VIEW C-C



VIEW A-A

MT800B SERIES TRACTORS
ELECTRICAL & STARTING

207

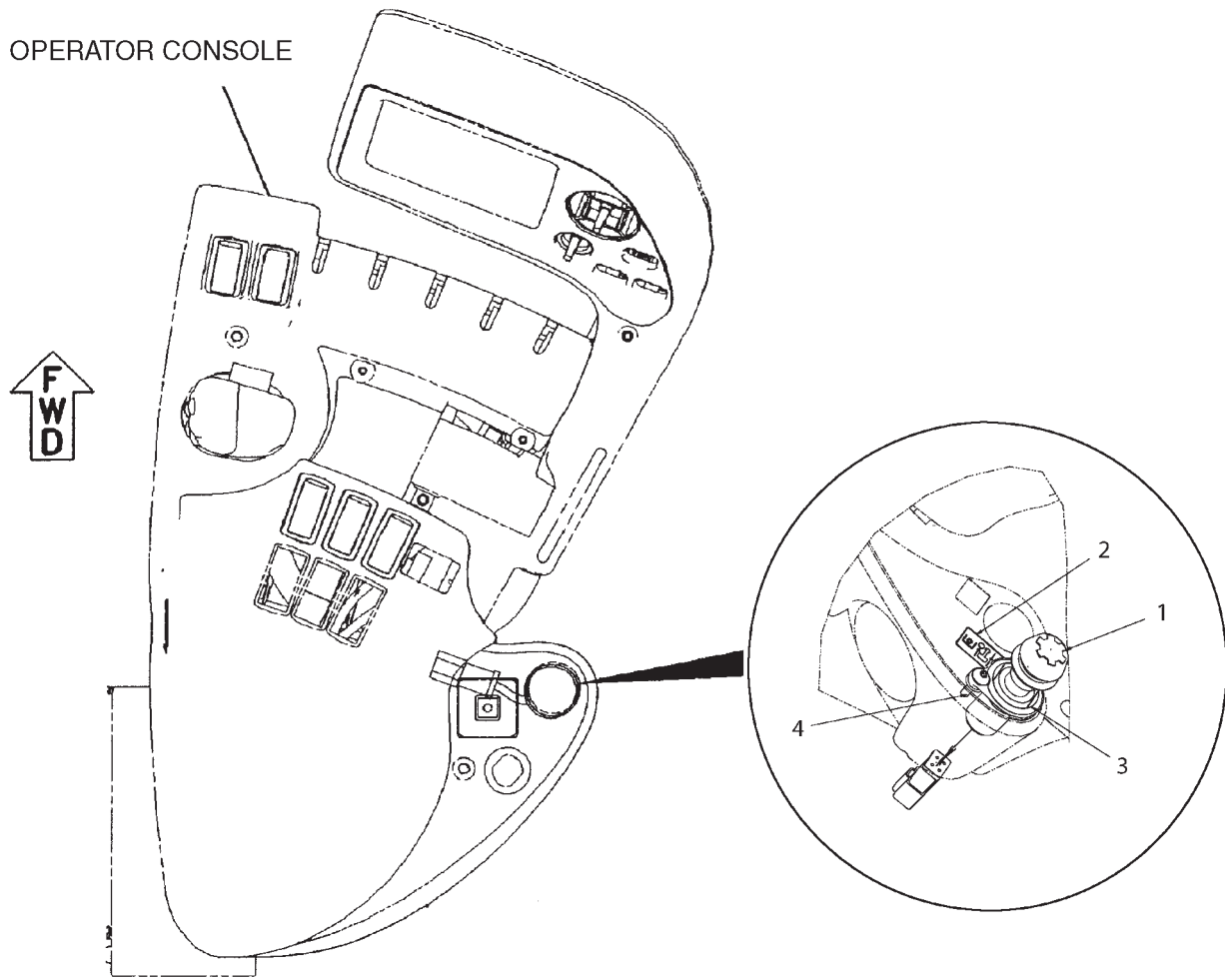
CONTROL GP-POWER TAKE-OFF - 224-5884
EAME

| ITEM | NUMBER | QTY | DESCRIPTION |
|------|------------|-----|--|
| - | 224-5884 | - | CONTROL GP-PTO [A] (NOT SERVICED) |
| 1 | 502423D1 | 1 | KIT-PTO SWITCH ADAPT (SEE BREAKDOWN FOR COMPONENTS) |
| 2 | CH176-4546 | 1 | SWITCH ASM (PUSHBUTTON) |
| | CH172-3511 | 1 | NUT-SWITCH MTG (5/8-24) |
| | CH6F-0253 | 1 | WASHER-LOCK |
| | 400561X1 | 5 | PIN-CONNECTOR |
| 3 | 400754X1 | 1 | RECEPTICLE KIT, CONNECTOR |

[A] PART OF 183-2197 GAUGE AR-TRACK;
224-8603 KIT-PTO

2245884C
PR: t05b22n43d0077

KIT-PTO SWITCH ADAPTOR
502423D1



TOP VIEW

MT800B SERIES TRACTORS
ELECTRICAL & STARTING

209

KIT-PTO SWITCH ADAPTOR
502423D1

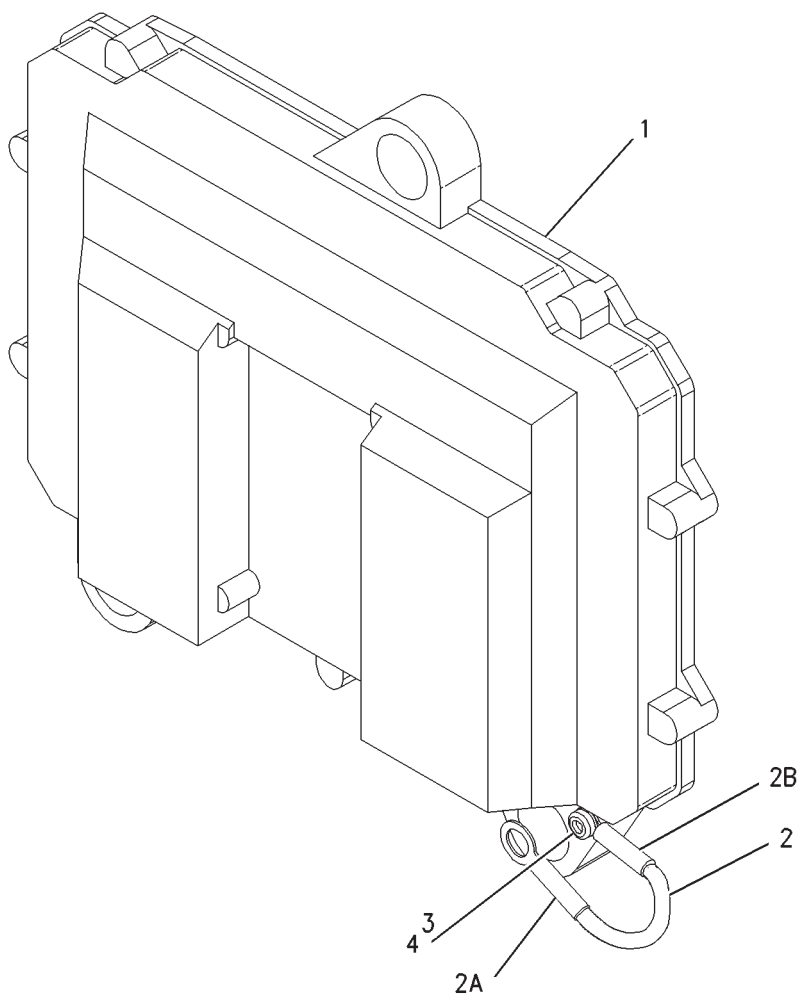
| ITEM | NUMBER | QTY | DESCRIPTION |
|------|-----------|-----|----------------------------|
| - | 502423D1 | - | KIT-PTO SWITCH ADAPTOR [A] |
| 1 | 502009D1 | 1 | SWITCH ASM-PTO |
| | 400562X1 | 4 | PIN |
| | 400782X1 | 1 | CONNECTOR-RECEPT |
| 2 | 501532D1 | 1 | FILM-PTO |
| 3 | 502099D1 | 1 | ADAPTOR |
| 4 | CH3E-8020 | 1 | SCREW-TRUSS HD (M6X1X25MM) |

[A] PART OF 152-0446;224-5884
CONTROL GP-PTO

502423DA
PR: t05b22n43d0076

MT800B SERIES TRACTORS
ELECTRICAL & STARTING

CONTROL GP-UNPROGRAMMED
216-0658



**MT800B SERIES TRACTORS
ELECTRICAL & STARTING**

211

**CONTROL GP-UNPROGRAMMED
216-0658**

| ITEM | NUMBER | QTY | DESCRIPTION |
|------|------------|-----|---------------------------------------|
| - | 216-0658 | - | CONTROL GP-UNPROGRAMMED [A] |
| 1 | | 1 | CONTROL ASM (NOT SERVICED SEPARATELY) |
| 2 | CH7X-6315 | 1 | STRAP ASM |
| 2A | CH139-6911 | 1 | TERMINAL-RING |
| 2B | CH7H-1177 | 1 | TERMINAL-RING |
| 3 | CH120-4897 | 1 | SCREW-PAN HEAD (M4X0.7X9.5) |
| 4 | CH134-4126 | 1 | WASHER (4.52X8.28X.76) |

[A] PART OF 229-0891; 229-0888
ELECTRONICS GP-IMPLEMENT

00818553
PR: t05b22n43d0078

212

MT800B SERIES TRACTORS
ELECTRICAL & STARTING

ELECTRONICS GP-IMPLEMENT - 229-0891
(SOFTWARE)
3 POINT HITCH

NO ILLUSTRATION

NOTIF4

MT800B SERIES TRACTORS
ELECTRICAL & STARTING

213

ELECTRONICS GP-IMPLEMENT - 229-0891
(SOFTWARE)
3 POINT HITCH

| ITEM | NUMBER | QTY | DESCRIPTION |
|------|----------|-----|--|
| - | 229-0891 | - | ELECTRONICS GP-IMPLEMENT [A] (NOT SERVICED) |
| | 216-0658 | 1 | CONTROL GP-UNPROGRAMMED (HITCH) (SEE BREAKDOWN FOR COMPONENTS) |
| | 256-0176 | 1 | SOFTWARE GP-IMPLEMENT (REAR HITCH) (FOR SOFTWARE INFO CALL SERVICE/WARRANTY 507-847-7222) |

[A] PART OF 136-5378 CONTROL &
WIRING GP-HITCH

NOTIF4
PR: t05b22n43d0079

214

MT800B SERIES TRACTORS
ELECTRICAL & STARTING

ELECTRONICS GP-MACHINE - ISO
216-0614

NO ILLUSTRATION

NOTIF4

MT800B SERIES TRACTORS
ELECTRICAL & STARTING

215

ELECTRONICS GP-MACHINE - ISO
216-0614

| ITEM | NUMBER | QTY | DESCRIPTION |
|------|-----------|-----|---|
| - | 216-0614 | - | ELECTRONICS GP-MACHINE [A] (NOT SERVICED) |
| | 201-9041 | 1 | CONTROL GP-ENGINE ELECTRONIC |
| | 256-0187 | 1 | SOFTWARE GP-COMMUNICATION (FOR SOFTWARE INFO CALL SERVICE/WARRANTY 507-847-7222) |
| | 79019518B | 1 | MANUAL, OPERATOR'S - AUTOGUIDE |

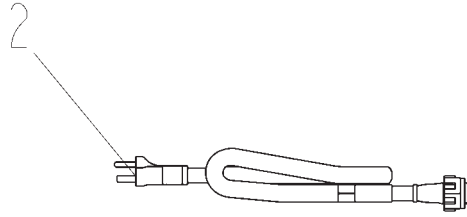
[A] PART OF 216-0852 CONTROL AR-
COMMUNICATION

NOTIF4
PR: t05b22n43d0080

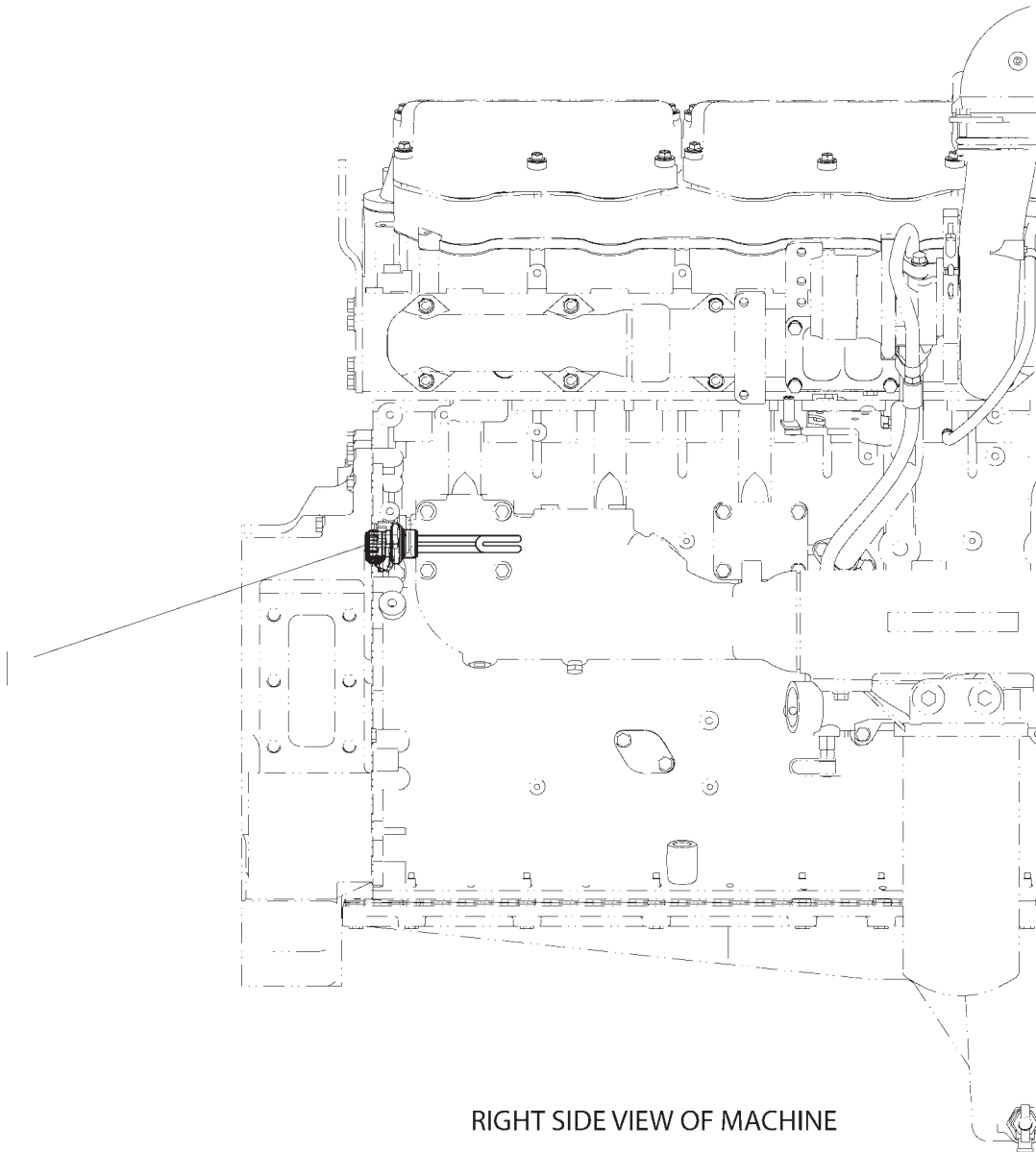
MT800B SERIES TRACTORS
ELECTRICAL & STARTING

HEATER GP-BLOCK-120V - 215-1807

ERROR[Basic syntax error] in:< BAM60689;ERROR[Basic syntax error] in:BBP60516;BCC60853;
BDS61024;BFT60120
ROW & SPECIAL



CORD ASY. STORED UNDER TRAINER SEAT



RIGHT SIDE VIEW OF MACHINE

MT800B SERIES TRACTORS
ELECTRICAL & STARTING

217

HEATER GP-BLOCK-120V - 215-1807

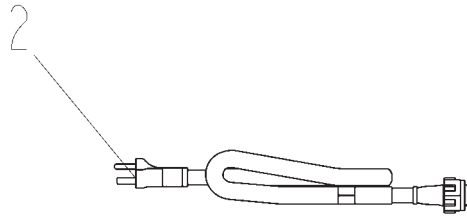
**ERROR[Basic syntax error] in:< BAM60689;ERROR[Basic syntax error] in:BBP60516;BCC60853;
BDS61024;BFT60120
ROW & SPECIAL**

| ITEM | NUMBER | QTY | DESCRIPTION |
|------|------------|-----|---------------------------------------|
| - | 215-1807 | - | HEATER GP-JACKET WATER (NOT SERVICED) |
| 1 | CH131-8627 | 1 | ELEMENT ASM-HEATER (120V/1250W) |
| 1A | CH133-6517 | 1 | CAP ASM-DUST |
| 2 | CH7X-6312 | 1 | CORD ASM (120 VOLT/15 AMPERE) |

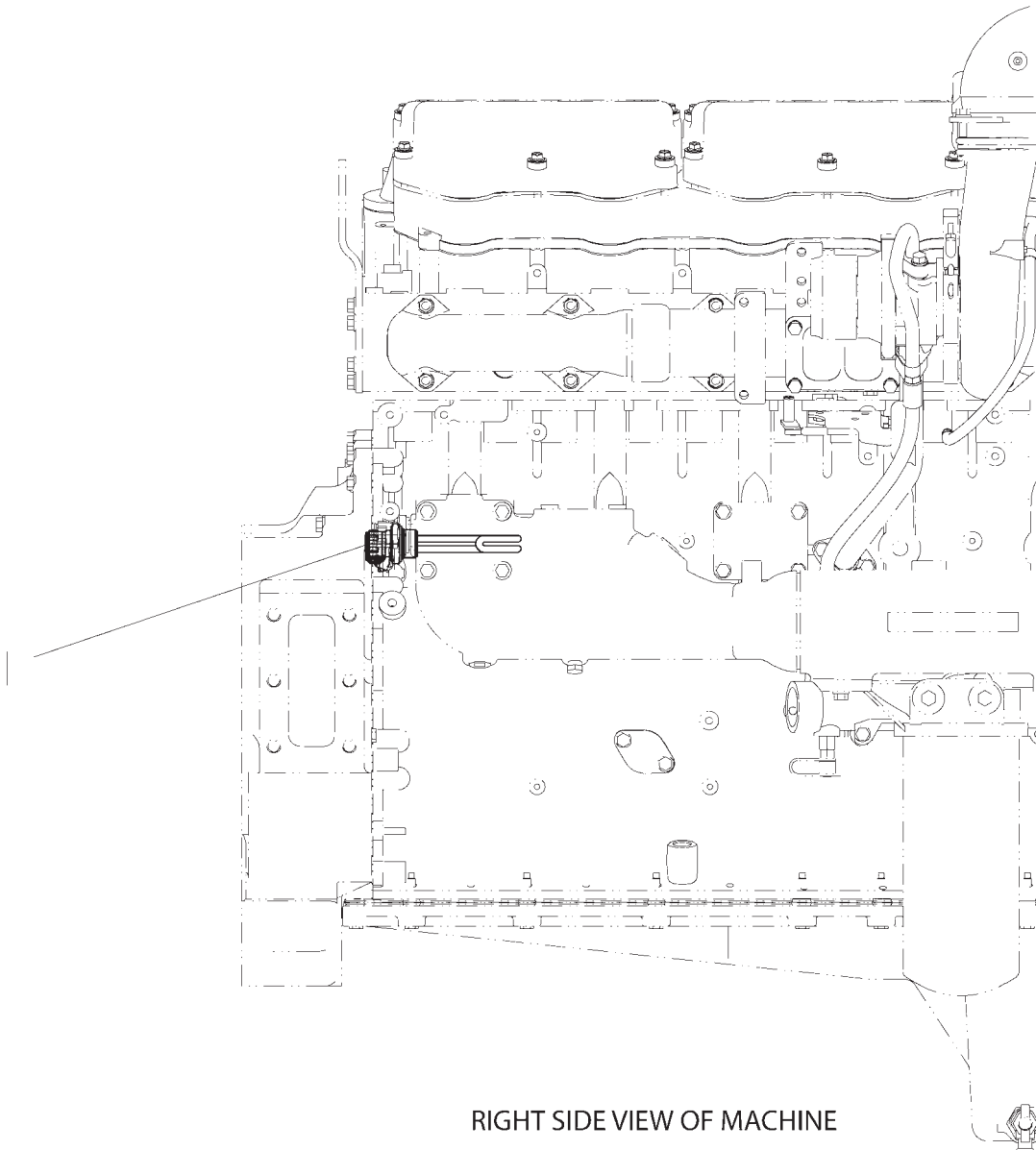
2151807B
PR: t05b22n43d0081

MT800B SERIES TRACTORS
ELECTRICAL & STARTING

HEATER GP-BLOCK-120V - 503639D1
|-> BAM60689;BBP60516;BCC60853;
BDS61024;BFT60120
ROW & SPECIAL ONLY



CORD ASY. STORED UNDER TRAINER SEAT



RIGHT SIDE VIEW OF MACHINE

MT800B SERIES TRACTORS
ELECTRICAL & STARTING

219

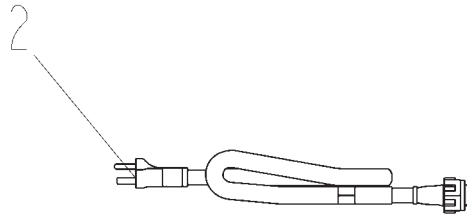
HEATER GP-BLOCK-120V - 503639D1
|-> BAM60689;BBP60516;BCC60853;
BDS61024;BFT60120
ROW & SPECIAL ONLY

| ITEM | NUMBER | QTY | DESCRIPTION |
|------|------------|-----|---------------------------------------|
| - | 503639D1 | - | HEATER GP-JACKET WATER (NOT SERVICED) |
| 1 | CH251-6721 | 1 | ELEMENT ASM-HEATER (120V/1500W) |
| 1A | CH133-6517 | 1 | CAP ASM-DUST |
| | CH4K-1388 | 1 | SEAL-O-RING (26.59ID) |
| 2 | CH7X-6312 | 1 | CORD ASM (120 VOLT/15 AMPERE) |

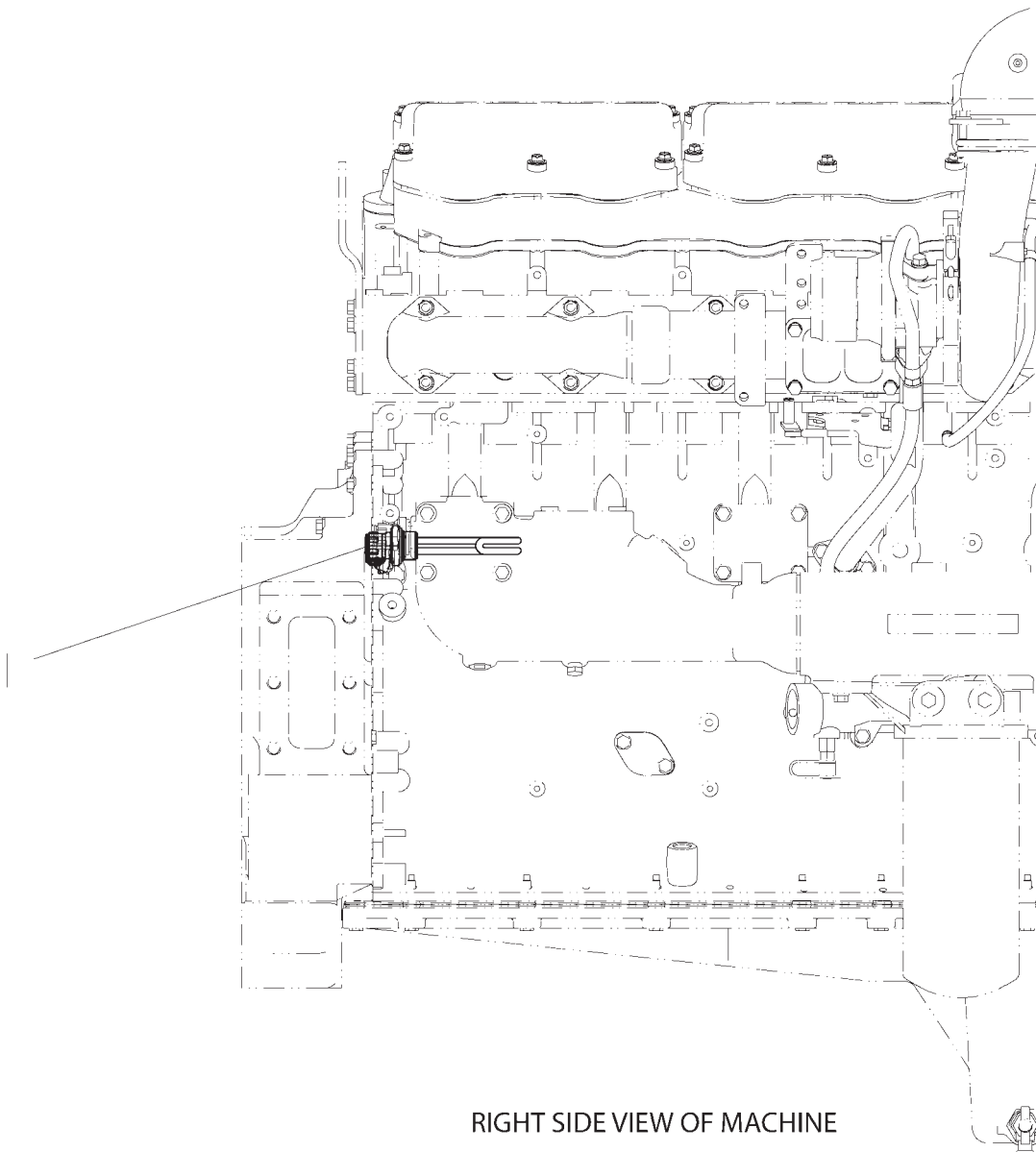
2151807B
PR: t05k07n15a0004

MT800B SERIES TRACTORS
ELECTRICAL & STARTING

HEATER GP-JACKET WATER - 240V
215-1809
EAME ONLY



CORD ASY. STORED UNDER TRAINER SEAT



RIGHT SIDE VIEW OF MACHINE

MT800B SERIES TRACTORS
ELECTRICAL & STARTING

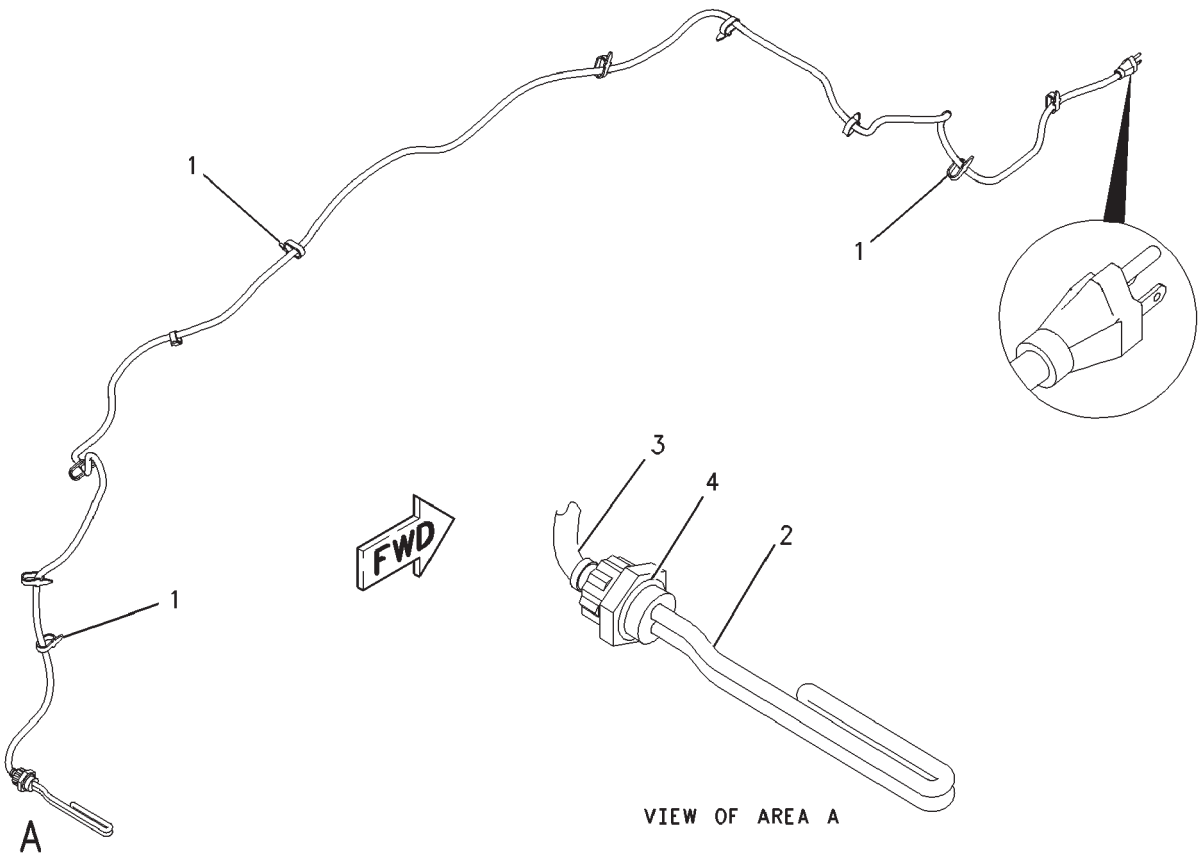
221

HEATER GP-JACKET WATER - 240V
215-1809
EAME ONLY

| ITEM | NUMBER | QTY | DESCRIPTION |
|------|------------|-----|---|
| - | 215-1809 | - | HEATER GP-JACKET WATER (NOT SERVICED) |
| 1 | CH154-2881 | 1 | ELEMENT ASM-JACKET WATER HEATER (240V/ 1250W) (INCLS 1A) |
| 1A | CH133-6517 | 1 | CAP ASM-DUST |
| 2 | CH127-8609 | 1 | CORD ASM (240 VAC/15 AMP) |

2151807B
PR: t05b22n43d0082

HEATER GP-TRANSMISSION - 120V
163-0402
ROW & SPECIAL ONLY



MT800B SERIES TRACTORS
ELECTRICAL & STARTING

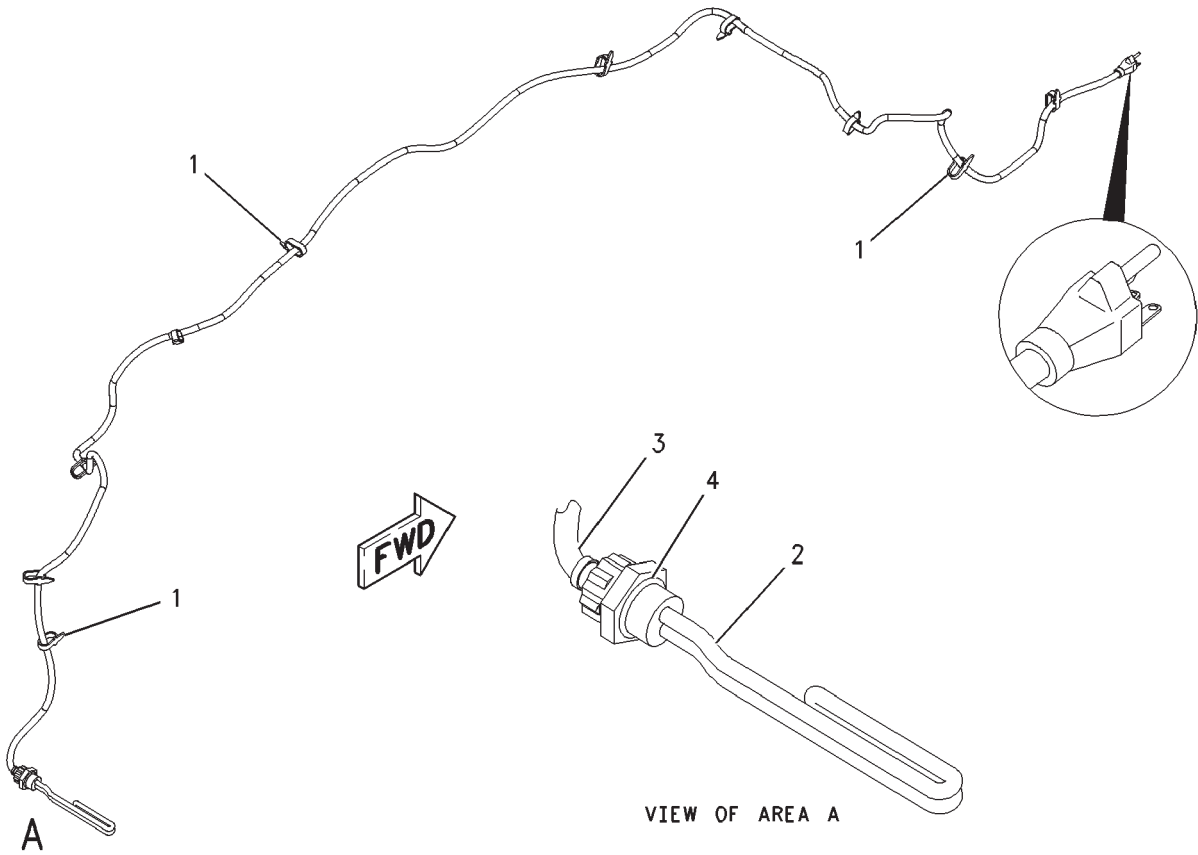
223

HEATER GP-TRANSMISSION - 120V
163-0402
ROW & SPECIAL ONLY

| ITEM | NUMBER | QTY | DESCRIPTION |
|------|------------|-----|---------------------------------------|
| - | 163-0402 | - | HEATER GP-TRANSMISSION (NOT SERVICED) |
| 1 | 400837X1 | 10 | STRAP-CABLE |
| 2 | 205-8771 | 1 | ELEMENT ASM (120 VOLT) (TRANSMISSION) |
| 3 | CH163-0421 | 1 | CORD ASM |
| 4 | 400593X1 | 1 | SEAL-O-RING |

00851879
PR: t05b22n43d0083

HEATER GP-TRANSMISSION - 240V
163-0403
EAME ONLY



MT800B SERIES TRACTORS
ELECTRICAL & STARTING

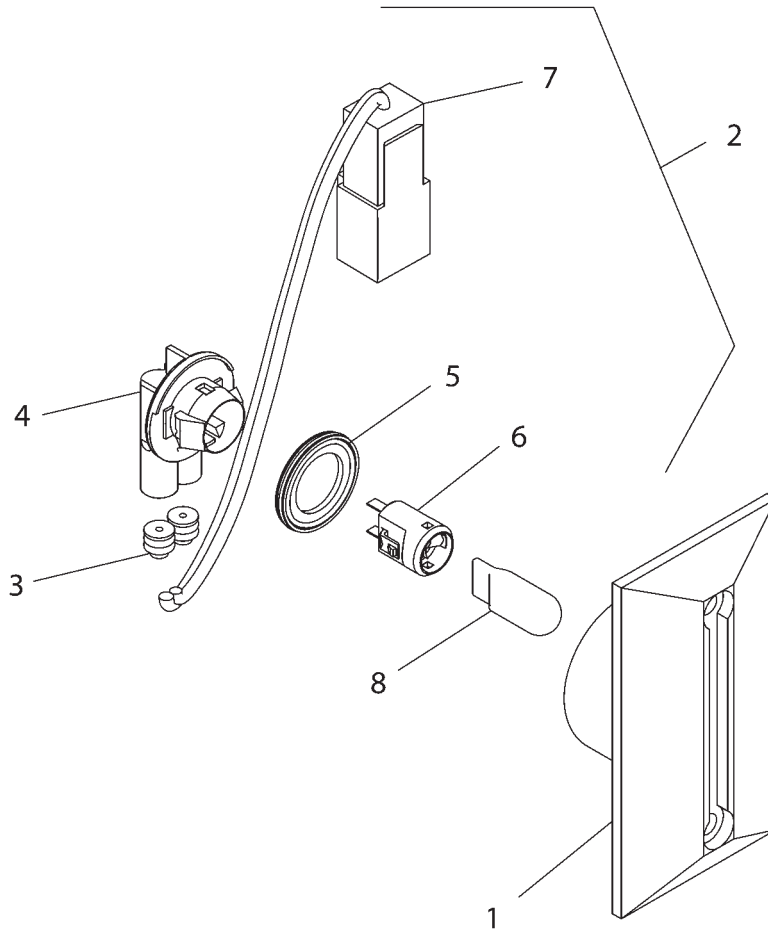
225

HEATER GP-TRANSMISSION - 240V
163-0403
EAME ONLY

| ITEM | NUMBER | QTY | DESCRIPTION |
|------|------------|-----|---|
| - | 163-0403 | - | HEATER GP-TRANSMISSION (NOT SERVICED) |
| 1 | 400837X1 | 10 | STRAP-CABLE |
| 2 | 205-8772 | 1 | ELEMENT ASM (240 VOLT) (TRANSMISSION HEATER) |
| 3 | CH213-1783 | 1 | CORD ASM |
| 4 | 400593X1 | 1 | SEAL-O-RING |

00856912
PR: t05b22n43d0084

LIGHT AS - COURTESY - 12V
501935D1



MT800B SERIES TRACTORS
ELECTRICAL & STARTING

227

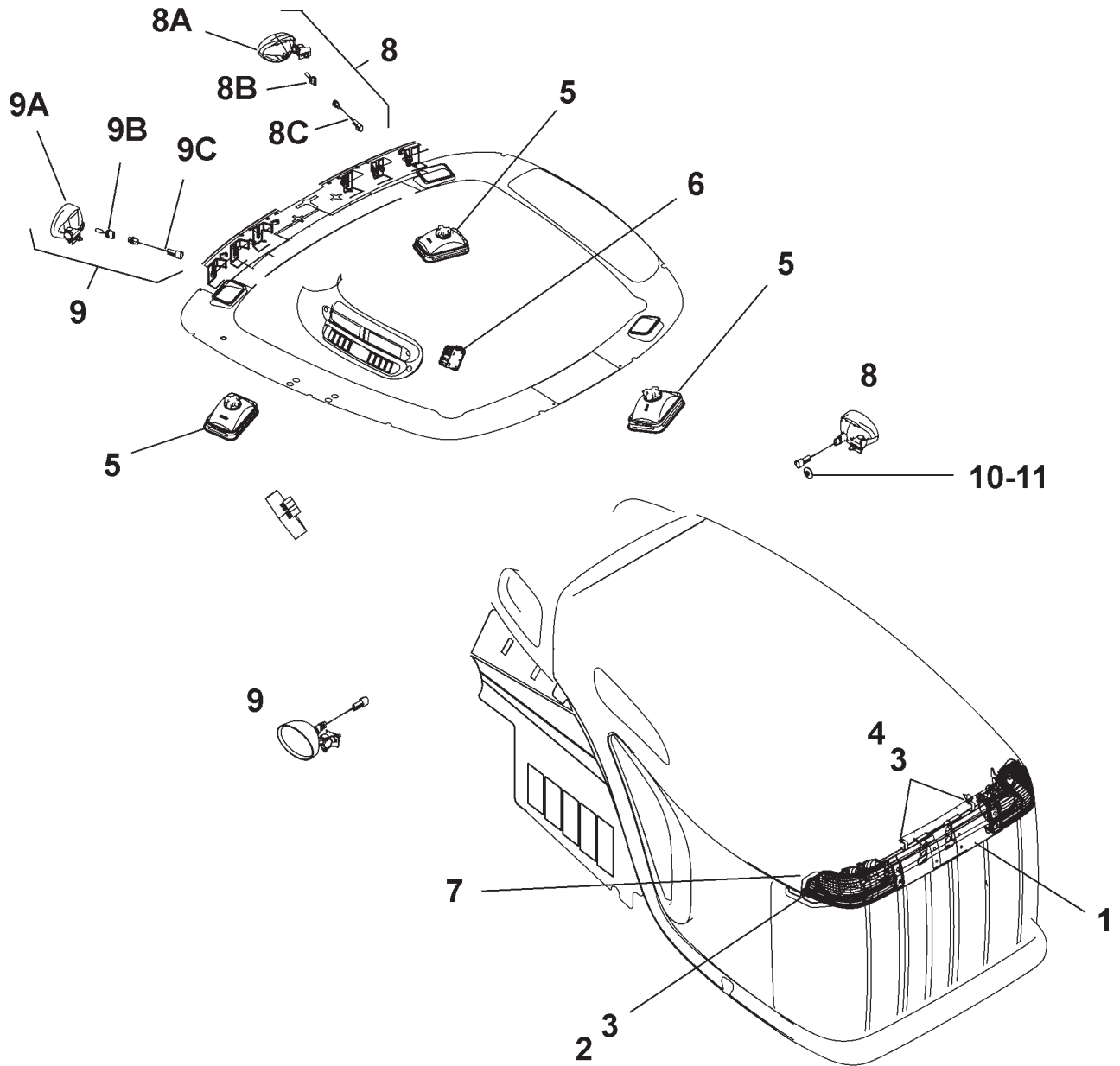
LIGHT AS - COURTESY - 12V
501935D1

| ITEM | NUMBER | QTY | DESCRIPTION |
|------|-----------|-----|-------------------------------------|
| - | 501935D1 | - | LIGHT AS - COURTESY [A] |
| 1 | 501936D1 | 1 | HOUSING |
| 2 | 501934D1 | 1 | LAMP AS (INCLS 3-10) |
| 3 | 400403X1 | 2 | SEAL |
| 4 | 400405X1 | 1 | CONNECTOR |
| 5 | 400406X1 | 1 | SEAL |
| 6 | 400407X1 | 1 | LAMP SOCKET INSERT |
| 7 | 501962D1 | 1 | RECEPTACLE-CONN DEUTSCH 2 PIN |
| 8 | CH6T-7298 | 1 | LAMP-12V BASE W-2 CLEAR |
| 9 | 400404X1 | 2 | SOCKET (NOT SHOWN) |
| 10 | 400562X1 | 2 | PIN-CONNECTOR 16-18 AWG (NOT SHOWN) |

[A] PART OF 152-0005 WIRING GP

501935DB
PR: t05b22n43d0085

LIGHTING GP - 12V STD
500645D1
ROW AND SPECIAL APPLICATIONS



**MT800B SERIES TRACTORS
ELECTRICAL & STARTING**

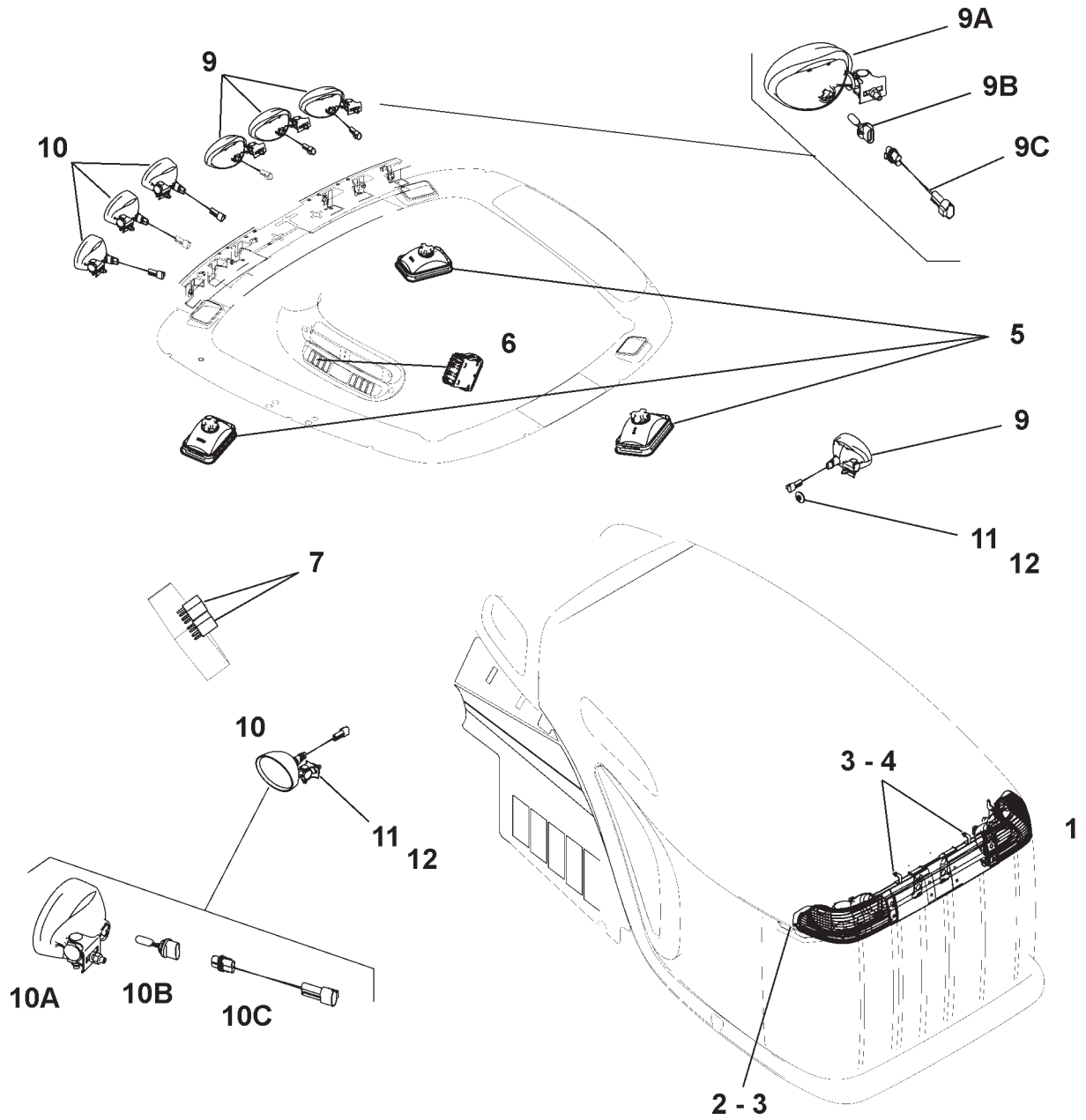
229

**LIGHTING GP - 12V STD
500645D1
ROW AND SPECIAL APPLICATIONS**

| ITEM | NUMBER | QTY | DESCRIPTION |
|------|------------|-----|---|
| - | 500645D1 | - | LIGHTING GP (NOT SERVICED) |
| 1 | 500775D1 | 1 | LAMP GP (HOOD) (NOT SERVICED) (SEE BREAKDOWN FOR COMPONENTS) |
| 2 | 400230X1 | 2 | BOLT-M6X1X14MM ZNDI HHD 10.9 |
| 3 | CH8T-4205 | 4 | WASHER-HARD 7.2IDX14.5ODX2MM |
| 4 | 400300X1 | 2 | NUT M6X1 |
| 5 | 166-4616 | 3 | LAMP GP-PORCH (INCL BULB) |
| | CH136-5252 | - | LAMP-MINIATURE |
| 6 | 165-5973 | 1 | SWITCH AS.-ROCKER |
| 7 | 199-3481 | 1 | SEAL-HOOD |
| 8 | 500654D1 | 2 | WORK LIGHT (LH) (OVAL) |
| 8 | 500654D2 | 2 | WORK LIGHT (LH) (INCLS 8A-8C) |
| 8A | 500677D2 | 1 | LIGHT |
| 8B | 400862X1 | 1 | BULB |
| 8C | 502094D1 | 1 | HARNES ASY-JUMPER |
| 9 | 500653D1 | 2 | WORK LIGHT (RH) (OVAL) |
| 9 | 500653D2 | 2 | WORK LIGHT (RH) (INCLS 9A-9C) |
| 9A | 500676D2 | 1 | LIGHT |
| 9B | 400862X1 | 1 | BULB |
| 9C | 502094D1 | 1 | HARNES ASY-JUMPER |
| 10 | CH156-0283 | 4 | WASHER-HARD 8.4IDX35ODX2.5 MM |
| 11 | CH3E-9860 | 4 | LOCKNUT-5/16-18 ZNDI |

500645DD
PR: t05b22n43d0086

LIGHTING GP - 12V DELUXE
500646D1



MT800B SERIES TRACTORS
ELECTRICAL & STARTING

231

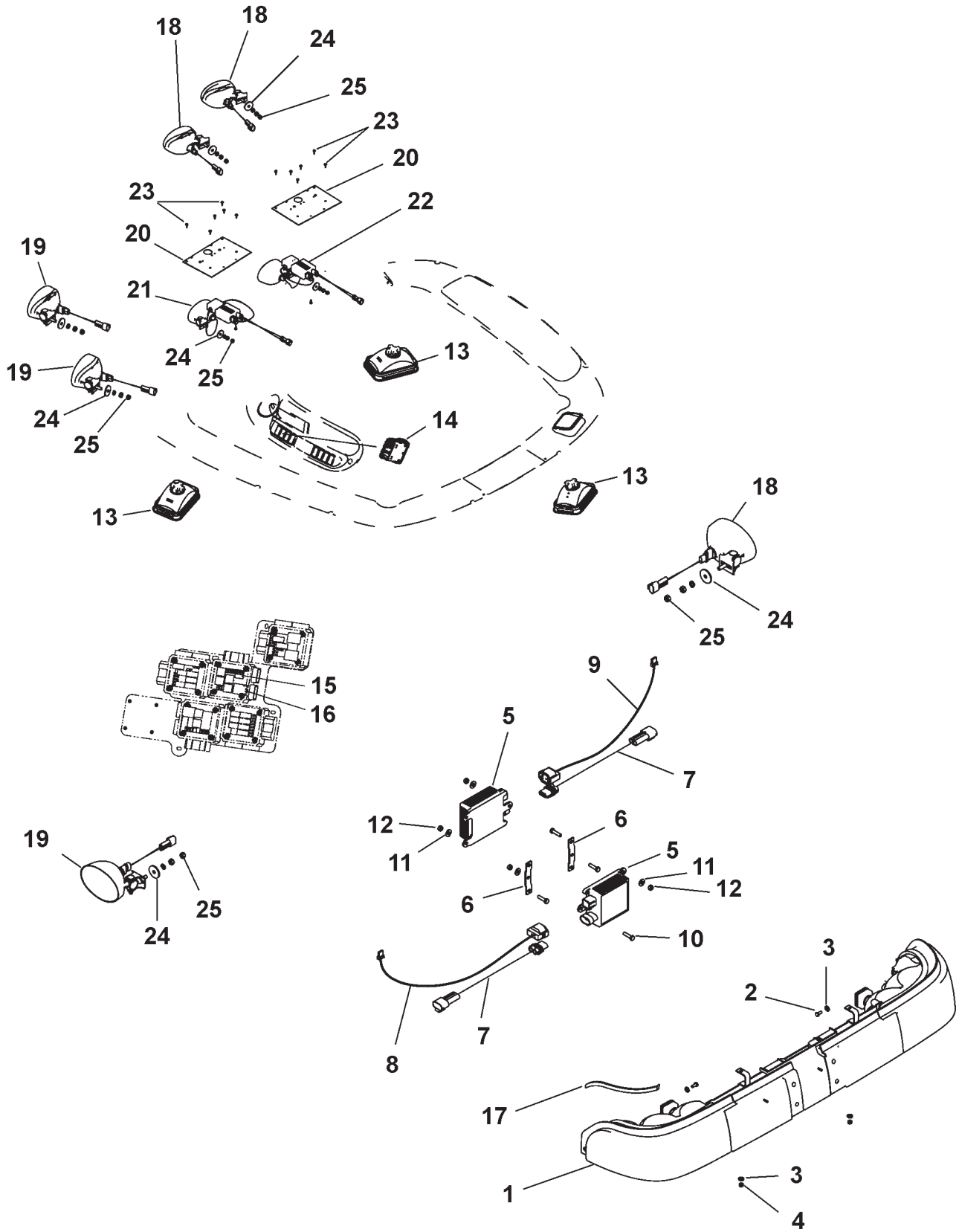
LIGHTING GP - 12V DELUXE
500646D1

| ITEM | NUMBER | QTY | DESCRIPTION |
|------|------------|-----|---|
| - | 500646D1 | - | LIGHTING GP (NOT SERVICED) |
| 1 | 500775D1 | 1 | LAMP GP (HOOD) (NOT SERVICED) (SEE BREAKDOWN FOR COMPONENTS) |
| 2 | 400230X1 | 2 | BOLT-M6X1X14MM ZNDI HHD 10.9 |
| 3 | CH8T-4205 | 4 | WASHER-HARD 7.2IDX14.5ODX2MM |
| 4 | 400300X1 | 2 | NUT M6X1 |
| 5 | 166-4616 | 3 | LAMP GP-PORCH (INCL BULB) |
| | CH136-5252 | - | LAMP-MINIATURE |
| 6 | 165-5973 | 1 | SWITCH AS.-ROCKER |
| 7 | CH146-9439 | 2 | RELAY AS |
| 8 | 199-3481 | 1 | SEAL-HOOD (NOT SHOWN) |
| 9 | 500654D2 | 4 | WORK LIGHT (LH) (INCLS 9A-9C) |
| 9A | 500677D2 | 1 | LIGHT |
| 9B | 400862X1 | 1 | BULB |
| 9C | 502094D1 | 1 | HARNES ASY-JUMPER |
| 10 | 500653D2 | 4 | WORK LIGHT (RH) (INCLS 10A-10C) |
| 10A | 500676D2 | 1 | LIGHT |
| 10B | 400862X1 | 1 | BULB |
| 10C | 502094D1 | 1 | HARNES ASY-JUMPER |
| 11 | CH156-0283 | 8 | WASHER-HARD 8.4IDX35ODX2.5 MM |
| 12 | CH3E-9860 | 8 | LOCKNUT-5/16-18 ZNDI |

500646DD
PR: t05b22n43d0087

MT800B SERIES TRACTORS
ELECTRICAL & STARTING

LIGHTING GP - 12V HID
500647D1



**MT800B SERIES TRACTORS
ELECTRICAL & STARTING**

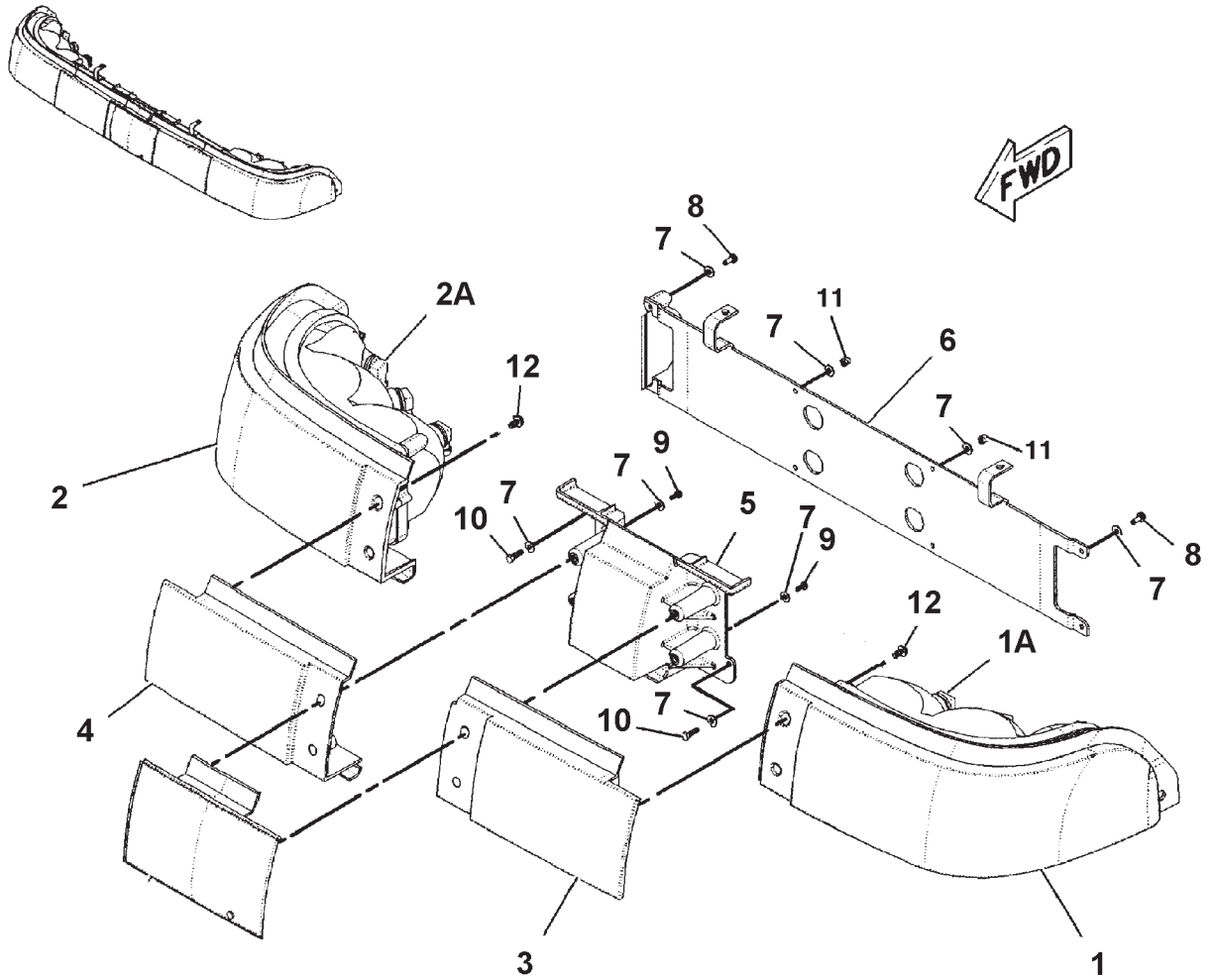
233

**LIGHTING GP - 12V HID
500647D1**

| ITEM | NUMBER | QTY | DESCRIPTION |
|------|------------|-----|----------------------------------|
| - | 500647D1 | - | LIGHTING GP (HID) (NOT SERVICED) |
| 1 | 500776D1 | 1 | LAMP GP (HOOD) |
| 2 | 400230X1 | 2 | BOLT-M6X1X14MM ZNDI HHD 10.9 |
| 3 | CH8T-4205 | 4 | WASHER-HARD 7.2IDX14.5ODX2MM |
| 4 | 400300X1 | 2 | NUT M6X1 |
| 5 | 136-5597 | 2 | BALLAST AS.-HID |
| 6 | 136-5509 | 2 | BRACKET-BALLAST |
| 7 | 502177D1 | 2 | HARNESS AS.-BALLAST |
| 8 | 202-7320 | 1 | HARNESS AS.-HID |
| 9 | 202-7320 | 1 | HARNESS AS.-HID |
| 10 | 400211X1 | 6 | BOLT-M5X0.8-6GX20 ZN HHD 8.8 |
| 11 | CH4B-4274 | 6 | WASHER-5.5IDX13ODX1.2MM |
| 12 | CH5C-2874 | 6 | NUT-M5X0.8THD HEX ZNDI |
| 13 | 166-4616 | 3 | LAMP GP-PORCH |
| 14 | 165-5973 | 1 | SWITCH AS.-ROCKER |
| 15 | CH146-9439 | 1 | RELAY AS. |
| 16 | CH170-2237 | 1 | RELAY AS.-12 VDC |
| 17 | 199-3481 | 1 | SEAL-HOOD |
| 18 | 500654D2 | 3 | WORK LIGHT (LH) |
| 19 | 500653D2 | 3 | WORK LIGHT (RH) |
| 20 | 500639D1 | 2 | BRACKET, HID BALLAST |
| 21 | 500634D2 | 1 | WORK LIGHT (RH) |
| 22 | 500635D2 | 1 | WORK LIGHT (LH) |
| 23 | CH119-5026 | 14 | SCREW-#10-16X16MM PAN THD CTG |
| 24 | CH156-0283 | 8 | WASHER-HARD 8.4IDX35ODX2.5MM |
| 25 | CH3E-9860 | 8 | LOCKNUT-5/16-18 ZNDI |

500647DE
PR: t05b22n43d0088

LAMP GP-HOOD - 12V HALOGEN
500775D1



MT800B SERIES TRACTORS
ELECTRICAL & STARTING

235

LAMP GP-HOOD - 12V HALOGEN
500775D1

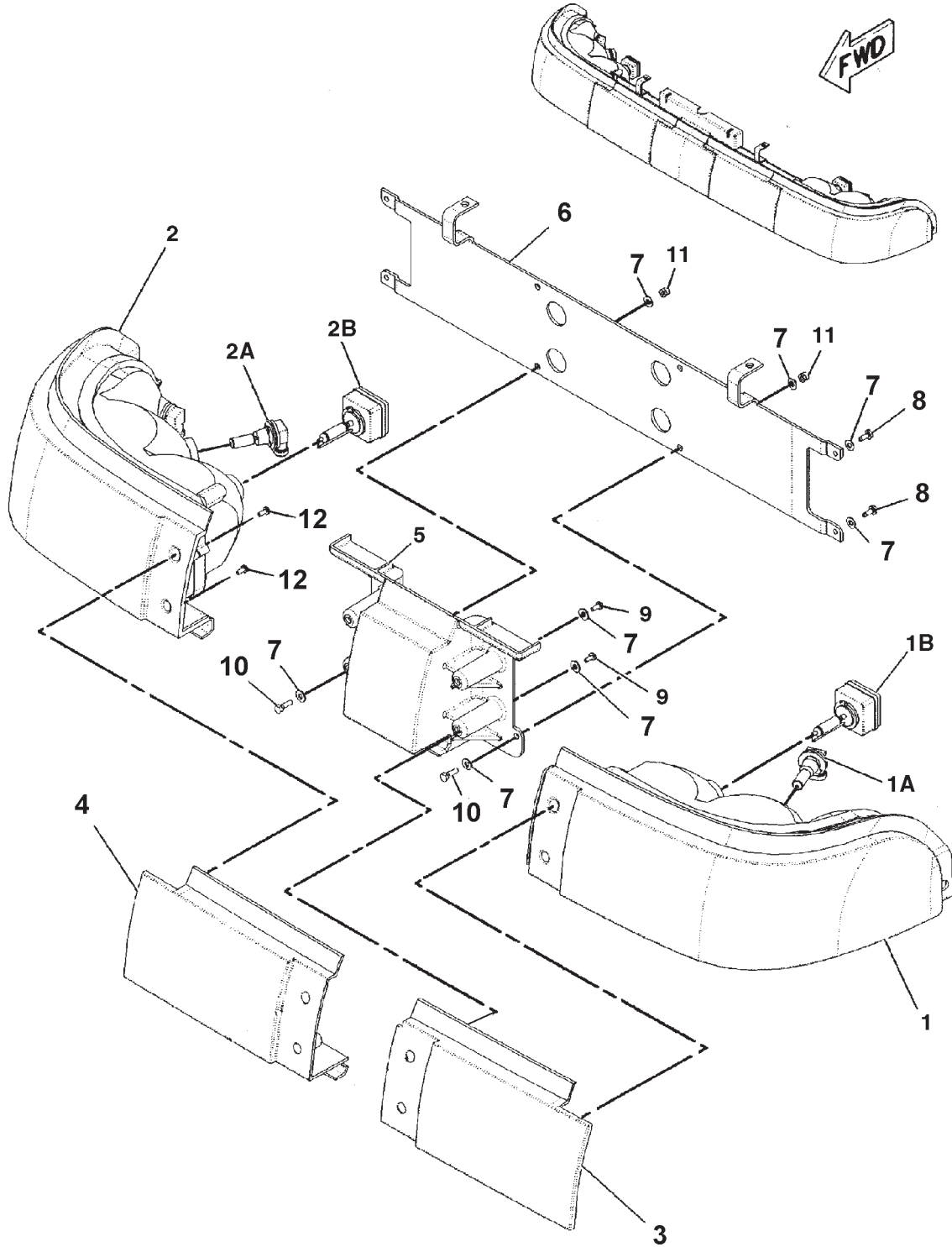
| ITEM | NUMBER | QTY | DESCRIPTION |
|------|------------|-----|---------------------------------|
| - | 500775D1 | - | LAMP GP-HOOD [A] (NOT SERVICED) |
| 1 | 176-0379 | 1 | HEADLAMP AS.-LH |
| 1A | CH175-1323 | 3 | LAMP (12 VOLT)(55 WATT) |
| 2 | 176-0380 | 1 | HEADLAMP AS.-RH |
| 2A | CH175-1323 | 3 | LAMP (12 VOLT)(55 WATT) |
| 3 | 215-7684 | 1 | PANEL-LH (HEADLIGHT) |
| 4 | 215-7687 | 1 | PANEL-RH (HEADLIGHT) |
| 5 | 210-4354 | 1 | BRACKET-HEADLIGHT |
| 6 | 215-9809 | 1 | BRACKET-HEADLIGHT |
| 7 | CH4B-4274 | 16 | WASHER-5.5IDX13ODX1.2MM |
| 8 | 400087X1 | 4 | SCREW-#10-16X12.7 PAN,THD CTG |
| 9 | CH6V-5210 | 4 | SCREW-PAN M4X0.7X10 CROSS |
| 10 | 400021X1 | 4 | BOLT-M5X0.8-6GX16MM ZN HHD |
| 11 | CH3T-0851 | 4 | NUT-LOCK M5X0.8 |
| 12 | CH217-5909 | 4 | SCREW-NO10-15X12.7 PAN THD CTG |

[A] PART OF 500645D1 & 500646D1
LIGHTING GROUPS

500775DB
PR: t05b22n43d0089

MT800B SERIES TRACTORS
ELECTRICAL & STARTING

LAMP GP-HOOD - 12V HID
500776D1



MT800B SERIES TRACTORS
ELECTRICAL & STARTING

237

LAMP GP-HOOD - 12V HID
500776D1

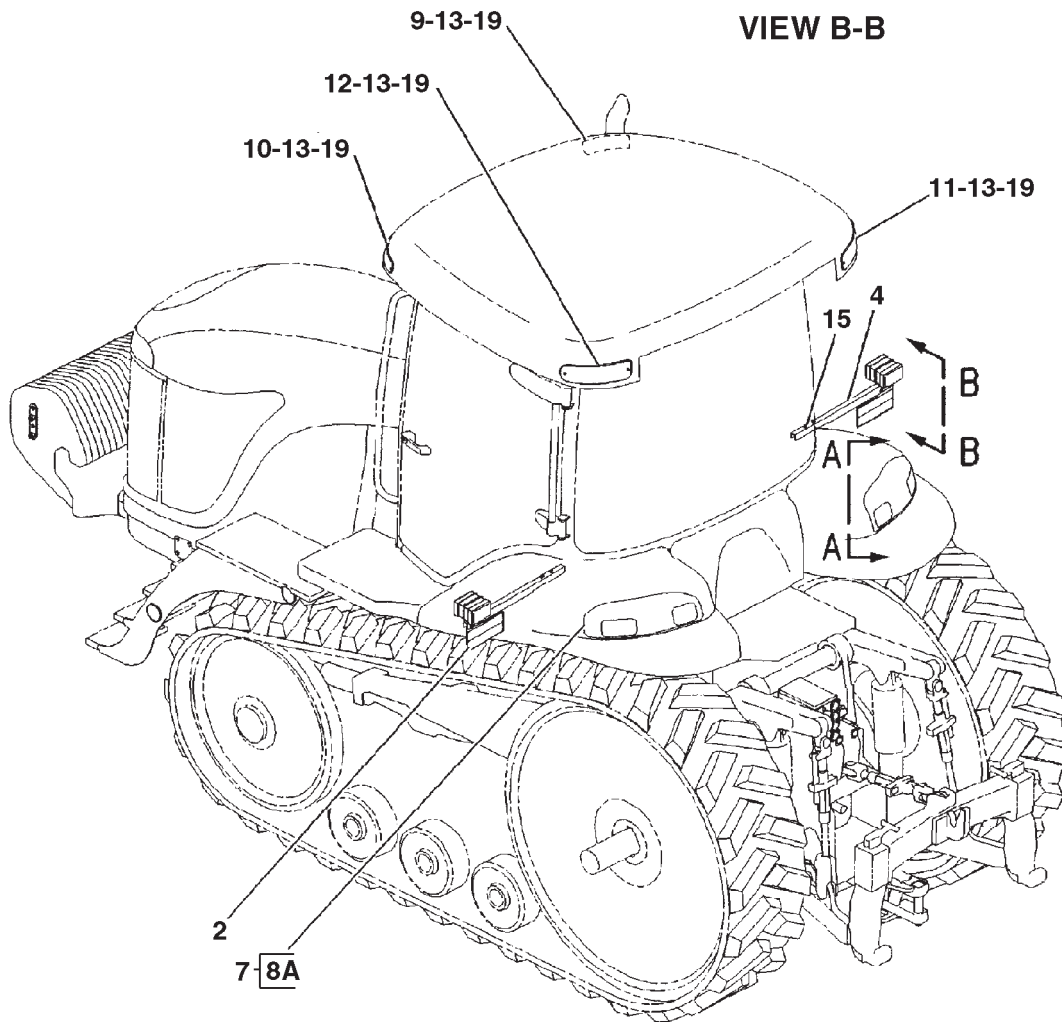
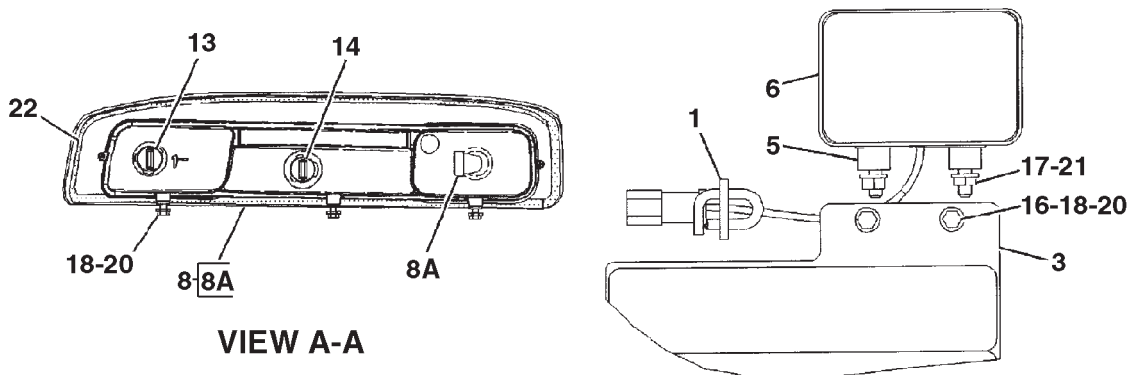
| ITEM | NUMBER | QTY | DESCRIPTION |
|------|------------|-----|--|
| - | 500776D1 | - | LAMP GP-HOOD [A] (SERVICE BY COMPONENTS) |
| 1 | 136-5288 | 1 | LAMP GP-HEAD (LH) (INCLS 1A & 1B) |
| 1A | 136-5598 | 1 | LAMP (12V)(35 WATT) |
| 1B | CH175-1323 | 2 | LAMP (12V)(55 WATT) |
| 2 | 136-5289 | 1 | LAMP GP-HEAD (RH) (INCLS 2A & 2B) |
| 2A | 136-5598 | 1 | LAMP (12V)(35 WATT) |
| 2B | CH175-1323 | 2 | LAMP (12V)(55 WATT) |
| 3 | 215-7684 | 1 | PANEL-LH (HEADLIGHT) |
| 4 | 215-7687 | 1 | PANEL-RH (HEADLIGHT) |
| 5 | 210-4354 | 1 | BRACKET-HEADLIGHT |
| 6 | 215-9809 | 1 | BRACKET-HEADLIGHT |
| 7 | CH4B-4274 | 16 | WASHER-5.5IDX13ODX1.2MM |
| 8 | 400087X1 | 4 | SCREW-#10-16X12.7 PAN,THD CTG |
| 9 | CH6V-5210 | 4 | SCREW-PAN M4X0.7X10 CROSS |
| 10 | 400021X1 | 4 | BOLT-M5X0.8-6GX16MM ZN HHD |
| 11 | CH3T-0851 | 4 | NUT-LOCK M5X0.8 |
| 12 | CH217-5909 | 4 | SCREW-NO10-15X12.7 PAN THD CTG |

[A] PART OF 500647D1 LIGHTING GROUP-HID

500776DB
PR: t05b22n43d0090

MT800B SERIES TRACTORS
ELECTRICAL & STARTING

LIGHTING GP-SIGNAL - 12V
136-5665



**MT800B SERIES TRACTORS
ELECTRICAL & STARTING**

239

**LIGHTING GP-SIGNAL - 12V
136-5665**

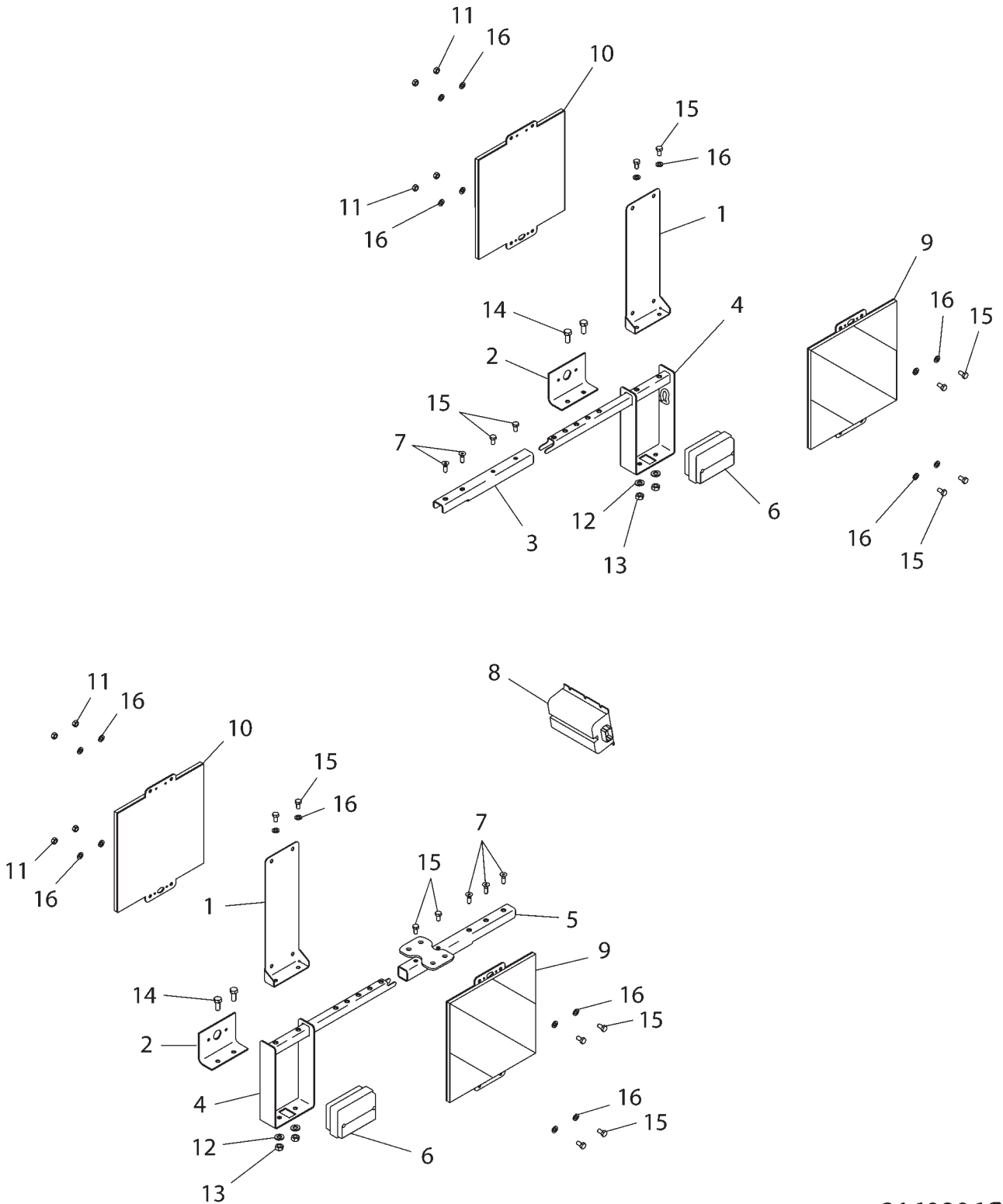
| ITEM | NUMBER | QTY | DESCRIPTION |
|------|------------|-----|--|
| - | 136-5665 | - | LIGHTING GP-SIGNAL [A] (NOT SERVICED) |
| 1 | CH7K-1181 | 2 | STRAP-CABLE |
| 2 | 136-5441 | 1 | PLATE ASM-LH (INCLUDES PLATE AND FILM) |
| | 192-5642 | 1 | FILM-RED |
| | 192-5643 | 1 | FILM-YELLOW |
| | 192-5644 | 1 | FILM-ORANGE |
| 3 | 136-5476 | 1 | PLATE ASM-RH (INCLUDES PLATE AND FILM) |
| | 192-5642 | 1 | FILM-RED |
| | 192-5643 | 1 | FILM-YELLOW |
| | 192-5644 | 1 | FILM-ORANGE |
| 4 | 142-9677 | 2 | EXTENSION ASM (INCLUDED LINK, NUT AND BRACKET) |
| | 7T-1099 | 2 | LINK |
| | CH8T-3612 | 2 | NUT-WELD (M8X1.25) |
| 5 | CH148-7017 | 4 | SPACER (10.2X19.05X13) |
| 6 | 155-0027 | 2 | LAMP GP (TURN SIGNAL) (INCLUDES BODY-LAMP) (SERVICE REPAIR ORDER THE FOLLOWING 6A, 6B, 6C AND 6D) |
| 6A | 5M-8034 | 2 | LAMP (12 VOLT) (TURN SIGNAL) |
| 6B | 186-3735 | 2 | PIN-CONNECTOR |
| 6C | 102-8804 | 1 | KIT-RECEPTACLE (4 PIN) (INCLUDES RECEPTACLE ASM AND WEDGE) (SERVICED AS COMPLETE KIT ONLY) |
| 6D | 155-0029 | 2 | LENS (AMBER) (TURN SIGNAL) |
| 7 | 162-4091 | 1 | LAMP GP-SIGNAL (FENDER)(LH) (SERVICE REPAIR BULB ORDER 8A) |
| 8 | 162-4092 | 1 | LAMP GP-SIGNAL (FENDER)(RH) (SERVICE REPAIR BULB ORDER 8A) |
| 8A | 500678D1 | 1 | LAMP (12 VOLT)(50 WATT) (FENDER) |
| 9 | 162-6696 | 1 | LAMP (ROOF-FRONT RH) |
| 10 | 162-6697 | 1 | LAMP (ROOF-FRONT LH) |
| 11 | 162-6698 | 1 | LAMP (ROOF-REAR RH) |
| 12 | 162-6699 | 1 | LAMP (ROOF-REAR LH) |
| 13 | 171-9687 | 6 | LAMP (12 VOLT)(SINGLE FILAMENT) |
| 14 | 171-9688 | 2 | LAMP (12 VOLT)(DOUBLE FILAMENT) |
| 15 | 400300X1 | 4 | NUT (M6X1) |
| 16 | 400340X1 | 4 | NUT (M8X1.25) |
| 17 | CH188-9644 | 4 | SCREW-FLAT HEAD |
| 18 | 400152X1 | 10 | BOLT (M6X1X16MM) |
| 19 | CH8T-0337 | 8 | SCREW-MACHINE (M4X0.7X12MM) |
| 20 | CH8T-4205 | 14 | WASHER-HARD (7.2X14.5X2MM) |
| 21 | 400339X1 | 4 | WASHER-HARD (8.8X16X2) |
| 22 | CH200-6208 | AR | SEAL (9.5X4.7 ADH BACK) (274CM) |

[A] PART OF 179-1952 BASE AR-COMMON;
501810D1 BASE COMMON AR

0886924A
PR: t05b22n43d0091

MT800B SERIES TRACTORS
ELECTRICAL & STARTING

LIGHTING GP-SIGNAL - 216-0806
EAME ONLY



MT800B SERIES TRACTORS
ELECTRICAL & STARTING

241

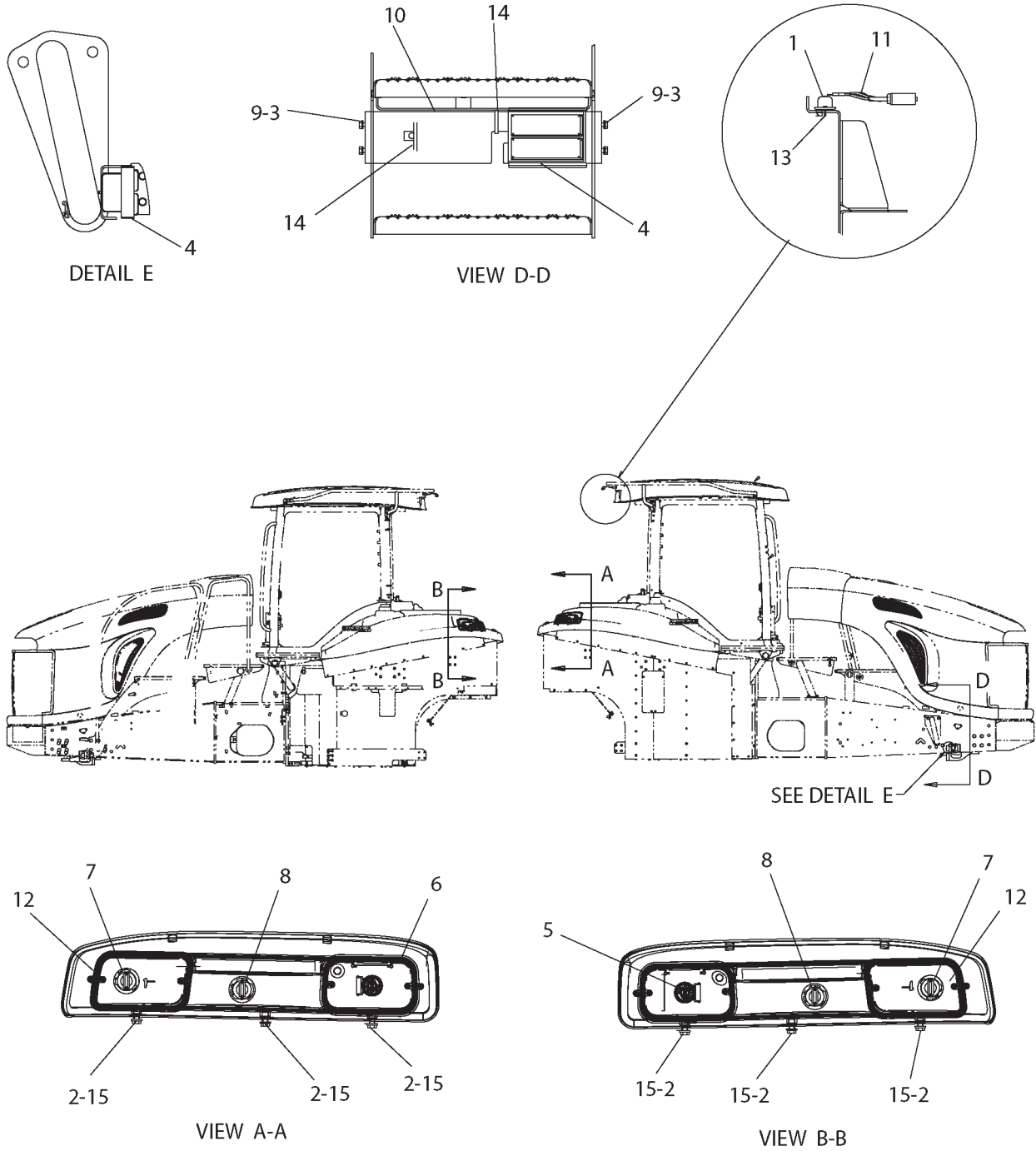
LIGHTING GP-SIGNAL - 216-0806
EAME ONLY

| ITEM | NUMBER | QTY | DESCRIPTION |
|------|------------|-----|--------------------------------|
| - | 216-0806 | - | LIGHTING GP-SIGNAL |
| 1 | 206-7524 | 2 | BRACKET |
| 2 | 215-9109 | 2 | BRACKET |
| 3 | 216-0887 | 1 | TUBE-EXTENSION |
| 4 | 216-4353 | 2 | BRACKET AS. |
| 5 | 221-9201 | 1 | TUBE AS-EXTENSION |
| 6 | 155-0020 | 2 | LIGHT AS.-EXTREMITY |
| 7 | CH188-9644 | 4 | SCREW-M8X1.25X25MM FLAT HSHD |
| 8 | CH215-1382 | 1 | FLASHER-SOLID STATE-12 VDC |
| 9 | 500529D1 | 2 | PLATE-WARNING (EAME) |
| 10 | 500530D1 | 2 | PLATE-WARNING (EAME) |
| 11 | 400340X1 | 8 | NUT-M8X1.25X13 HEX ZND1 |
| 12 | 400287X1 | 4 | WASHER-HARD 11IDX21ODX2.5 ZND1 |
| 13 | 7774664 | 4 | NUT-M10-1.5,CL10.9,ZN,H,REG |
| 14 | 400039X1 | 4 | BOLT-M10X1.5X25 ZNDI HHD 10.9 |
| 15 | 400227X1 | 16 | BOLT-M8X1.25X16 ZNDI HHD 10.9 |
| 16 | 400339X1 | 20 | WASHER-HARD |

2160806G
PR: t05b22n43d0092

MT800B SERIES TRACTORS
ELECTRICAL & STARTING

LIGHTING GP-SIGNAL - 136-5429
EAME ONLY



MT800B SERIES TRACTORS
ELECTRICAL & STARTING

243

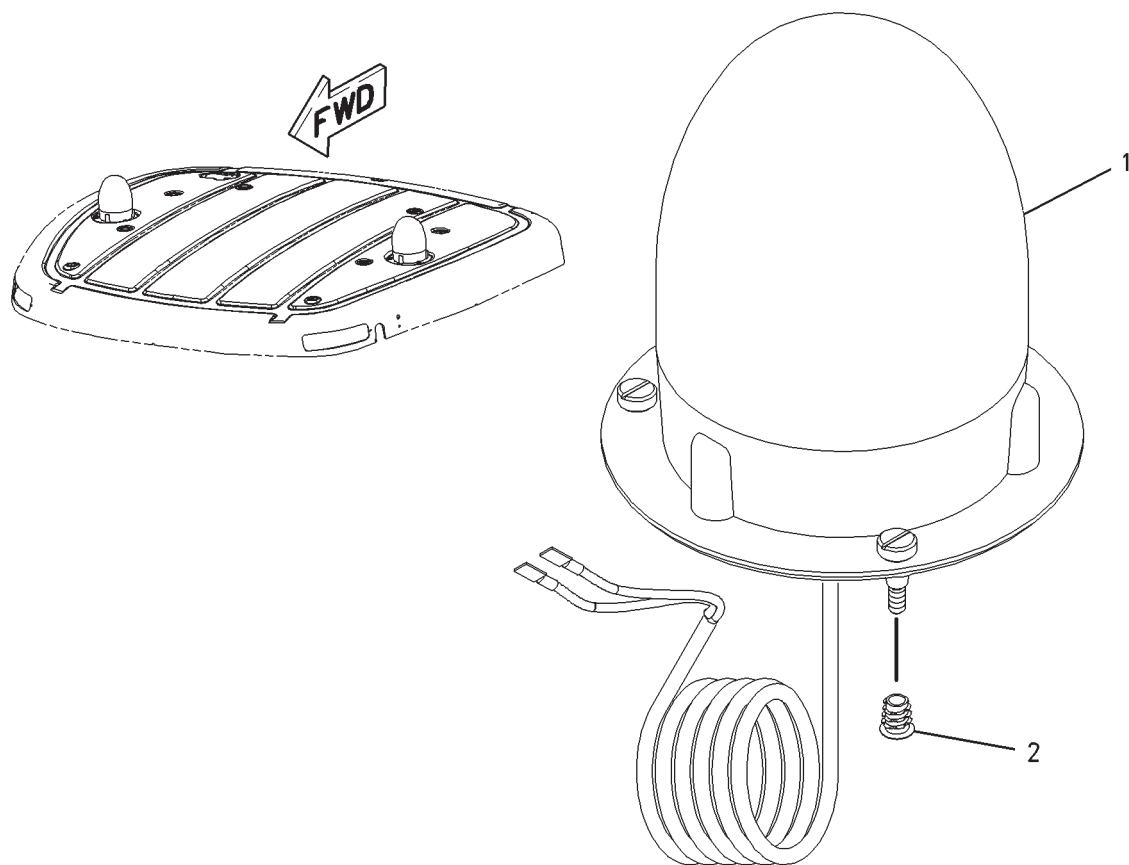
LIGHTING GP-SIGNAL - 136-5429
EAME ONLY

| ITEM | NUMBER | QTY | DESCRIPTION |
|------|------------|-----|---------------------------------------|
| - | 136-5429 | - | LIGHTING GP-SIGNAL [A] (NOT SERVICED) |
| 1 | 222-9156 | 2 | LAMP AS |
| 2 | 400152X1 | 6 | BOLT-M6X1X16MM ZNDI HHD 10.9 |
| 3 | 400221X1 | 4 | BOLT-M6X1X20MM ZNDI HHD 10.9 |
| 4 | 155-0014 | 2 | LIGHT AS. -EXTREMITY |
| 5 | 162-4091 | 1 | LAMP AS.-FENDER (LH) |
| | 500678D1 | 1 | BULB (12V-50W) |
| 6 | 162-4092 | 1 | LAMP AS.-FENDER (RH) |
| | 500678D1 | 1 | BULB (12V-50W) |
| 7 | 171-9687 | 2 | BULB-12V (S8) |
| 8 | 171-9688 | 2 | BULB-12V (S8) |
| 9 | 400310X1 | 4 | WASHER |
| 10 | 502072D1 | 1 | BRACKET AS |
| 11 | 502245D1 | 1 | HARNESS AS. |
| 12 | CH200-6208 | - | SEAL BULK 9.5X4.7 ADH BACKING (274CM) |
| 13 | CH3S-9557 | 4 | SCREW-PAN 4-40 THD X12.7 CROSS |
| 14 | CH7K-1181 | 2 | STRAP-CABLE 0.19-4.00 |
| 15 | CH8T-4205 | 6 | WASHER-HARD 7.2IDX14.5ODX2MM |

[A] PART OF 501811D1 BASE COMMON AR

1365429A
PR: t05b22n43d0093

LIGHTING GP-WARNING
216-9823



MT800B SERIES TRACTORS
ELECTRICAL & STARTING

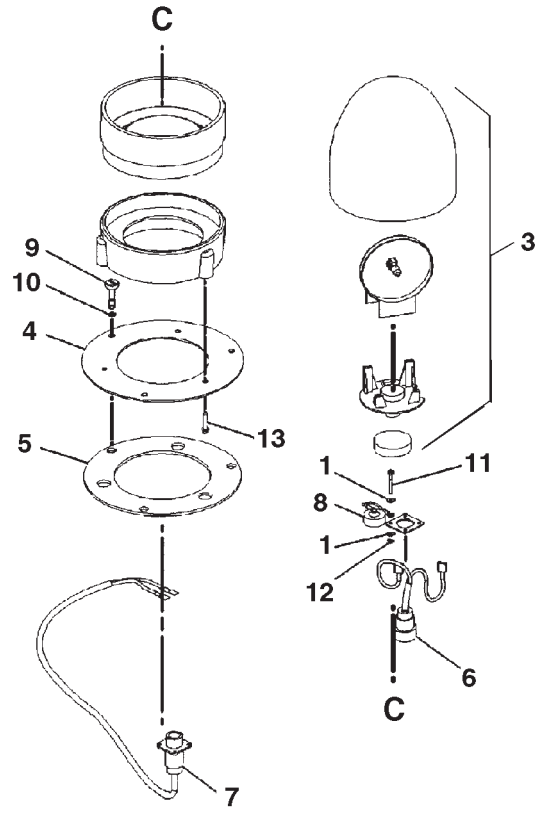
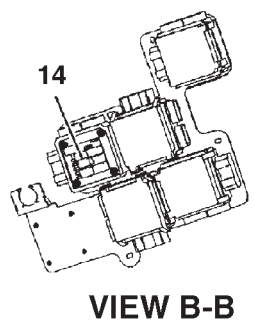
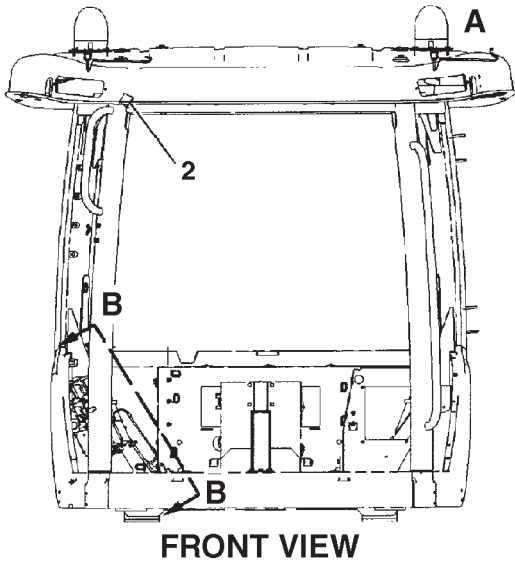
245

LIGHTING GP-WARNING
216-9823

| ITEM | NUMBER | QTY | DESCRIPTION |
|------|------------|-----|--|
| - | 216-9823 | - | LIGHTING GP-WARNING (NOT SERVICED) |
| 1 | 162-4101 | 1 | LIGHTING GP-WARNING (NOT SERVICED) (SEE BREAKDOWN FOR COMPONENTS) |
| 2 | CH216-7617 | 6 | INSERT |

00891621
PR: t05b22n43d0094

LIGHTING GP-WARNING - 12V
162-4101



VIEW OF AREA A

MT800B SERIES TRACTORS
ELECTRICAL & STARTING

247

LIGHTING GP-WARNING - 12V
162-4101

| ITEM | NUMBER | QTY | DESCRIPTION |
|------|------------|-----|--|
| - | 162-4101 | - | LIGHTING GP-WARNING [A] (NOT SERVICED) |
| 1 | CH4I-3038 | 16 | WASHER (3.3X8X0.5) |
| 2 | 169-8223 | 1 | SWITCH-ROCKER (BEACON) |
| 3 | CH196-7341 | 2 | LAMP GP-WARNING BEACON |
| | CH136-5254 | 1 | LENS (ROTATING BEACON) (AMBER) |
| | CH9X-8118 | 1 | LAMP (12 VOLT) |
| 4 | 201-0486 | 2 | PLATE |
| 5 | 201-0487 | 2 | GASKET |
| 6 | 502190D1 | 2 | HARNESS ASM (BEACON) |
| 7 | 502179D1 | 2 | HARNESS ASM |
| 8 | 400753X1 | 2 | CAP-SEALING |
| 9 | CH201-9691 | 6 | SCREW (M6X1X26MM) |
| 10 | CH201-9692 | 6 | RETAINER |
| 11 | 400139X1 | 8 | BOLT-SOCKET HEAD (M3X0.5X25MM) |
| 12 | CH3C-6969 | 8 | NUT (M3X0.5) |
| 13 | CH6V-8548 | 6 | SCREW-WASHER HEAD (8-32X.85 IN) |
| 14 | CH146-9439 | 1 | RELAY (12 VOLT) |

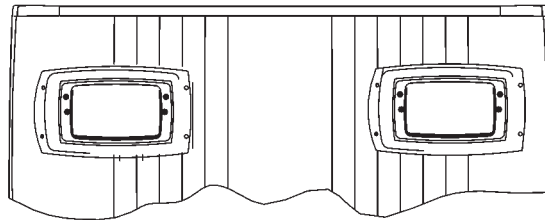
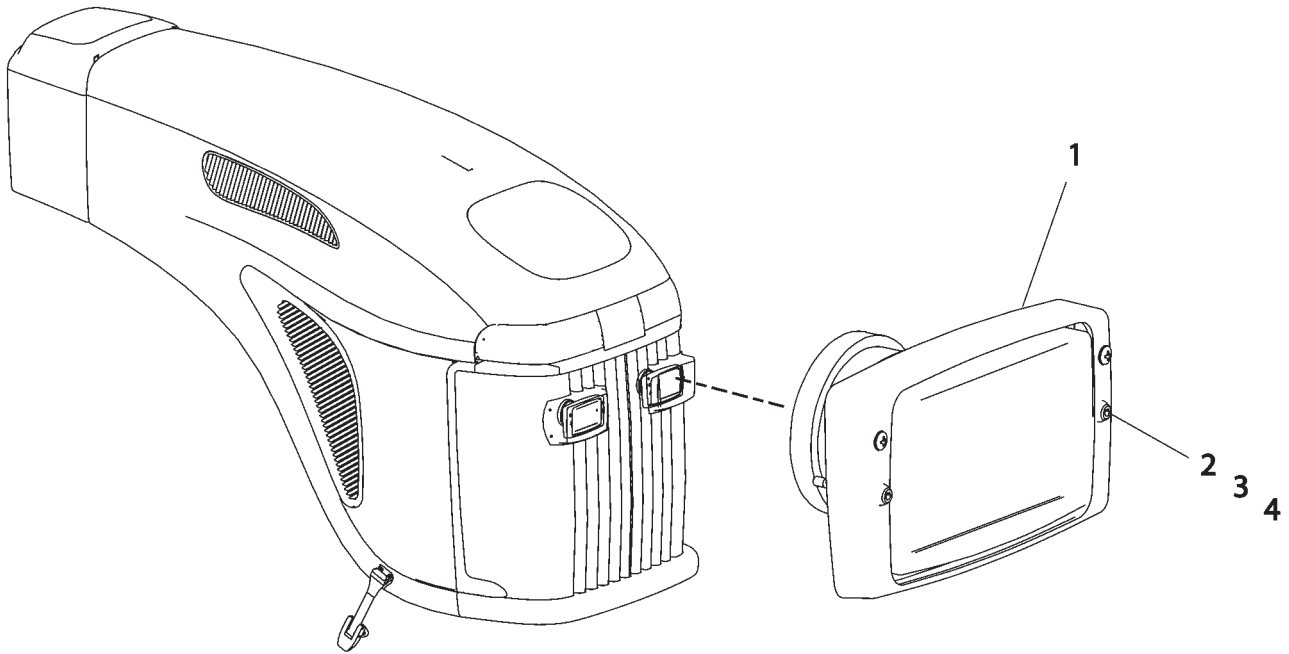
[A] PART OF 216-9823 LIGHTING
GP-WARNING

0842107A
PR: t05b22n43d0095

MT800B SERIES TRACTORS
ELECTRICAL & STARTING

LIGHTING GP-ROAD (LH TRAFFIC)

168-6580
FIELD INSTALLED
EAME ONLY



ALTERNATE CONFIGURATION
(T955, T956, T957, T958)

MT800B SERIES TRACTORS
ELECTRICAL & STARTING

249

LIGHTING GP-ROAD (LH TRAFFIC)
168-6580
FIELD INSTALLED
EAME ONLY

| ITEM | NUMBER | QTY | DESCRIPTION |
|------|------------|-----|--------------------------------------|
| - | 168-6580 | - | LIGHTING GP-ROADING (LH TRAFFIC) [A] |
| 1 | 155-0042 | 2 | LAMP GP-HEAD |
| | CH8I-4256 | 1 | BULB-HEADLAMP (12V-60W) |
| | CH121-9755 | 2 | WASHER-SOFT (4.3IDX8ODX0.5) |
| | CH121-9754 | 1 | CAP |
| | CH121-9753 | 2 | WASHER-SOFT (4.3IDX9ODX0.5) |
| 2 | 400132X1 | 4 | BOLT (M4X0.7X30MM) |
| 3 | CH8C-9660 | 4 | WASHER (4.6IDX7.9ODX0.8) |
| 4 | CH8T-2659 | 4 | NUT (M4X0.7-6H THD SELF LOCK) |

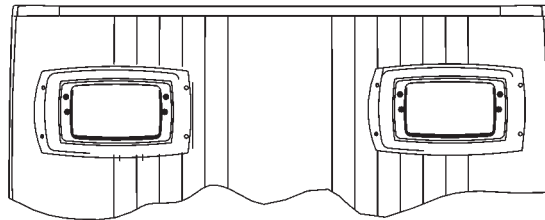
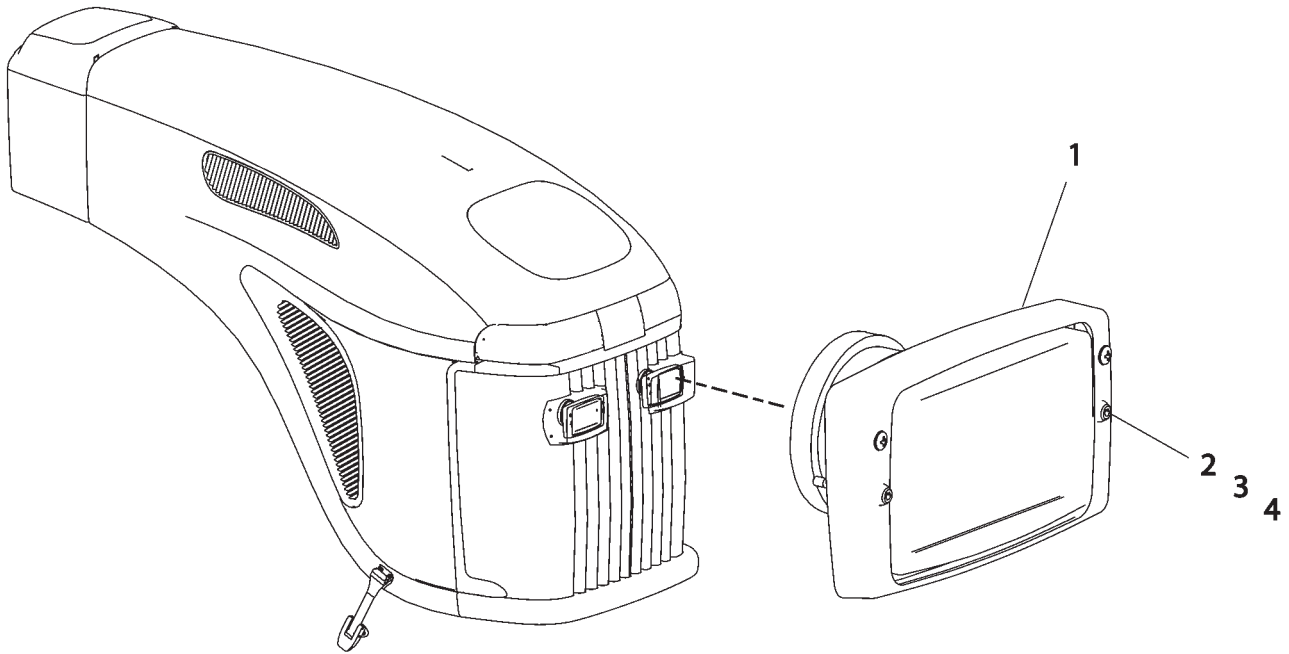
[A] KIT INSTALLED IN EUROPE ONLY

1686580F
PR: t05b22n43d0096

MT800B SERIES TRACTORS
ELECTRICAL & STARTING

LIGHTING GP-ROAD (RH TRAFFIC)

168-6581
FIELD INSTALLED
EAME ONLY



ALTERNATE CONFIGURATION
(T955, T956, T957, T958)

**MT800B SERIES TRACTORS
ELECTRICAL & STARTING**

251

**LIGHTING GP-ROAD (RH TRAFFIC)
168-6581
FIELD INSTALLED
EAME ONLY**

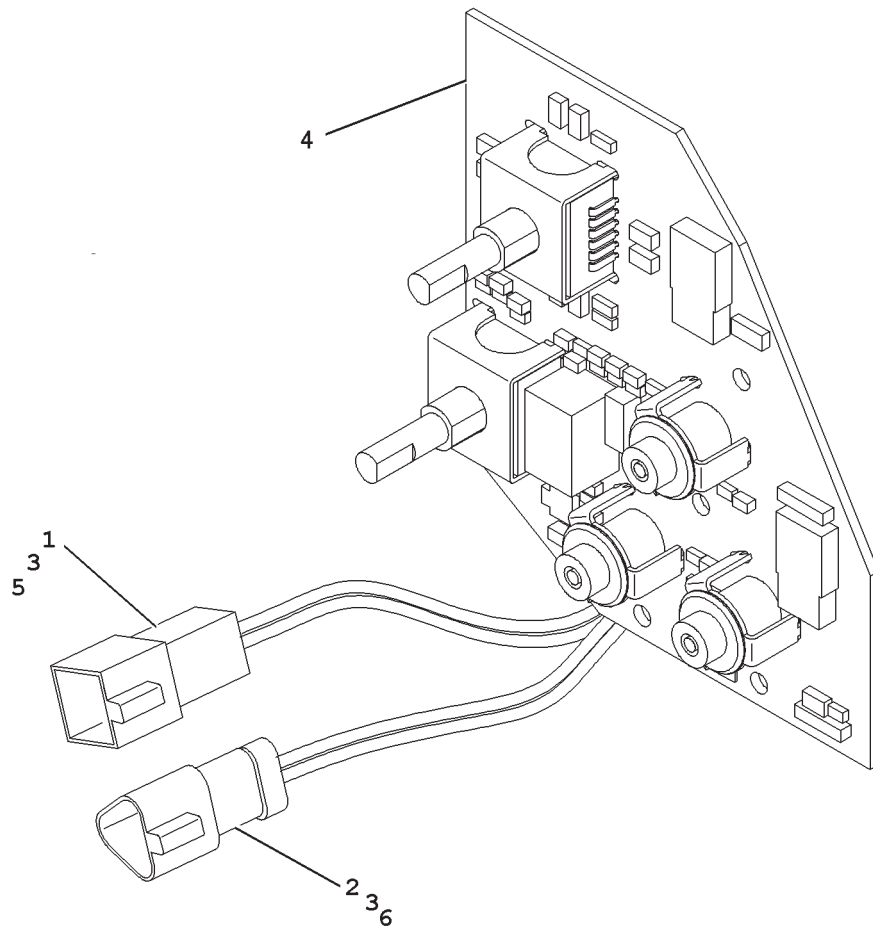
| ITEM | NUMBER | QTY | DESCRIPTION |
|------|------------|-----|--------------------------------------|
| - | 168-6581 | - | LIGHTING GP-ROADING (LH TRAFFIC) [A] |
| 1 | 155-0043 | 2 | LAMP GP-HEAD |
| | CH8I-4256 | 1 | BULB-HEADLAMP (12V-60W) |
| | CH121-9755 | 2 | WASHER-SOFT (4.3IDX8ODX0.5) |
| | CH121-9754 | 1 | CAP |
| | CH121-9753 | 2 | WASHER-SOFT (4.3IDX9ODX0.5) |
| 2 | 400132X1 | 4 | BOLT (M4X0.7X30MM) |
| 3 | CH8C-9660 | 4 | WASHER (4.6IDX7.9ODX0.8) |
| 4 | CH8T-2659 | 4 | NUT (M4X0.7-6H THD SELF LOCK) |

[A] KIT INSTALLED IN EUROPE ONLY

1686580F
PR: t05b22n43d0097

MT800B SERIES TRACTORS
ELECTRICAL & STARTING

CONTROL GP-ELECTRONIC
501033D1



MT800B SERIES TRACTORS
ELECTRICAL & STARTING

253

CONTROL GP-ELECTRONIC
501033D1

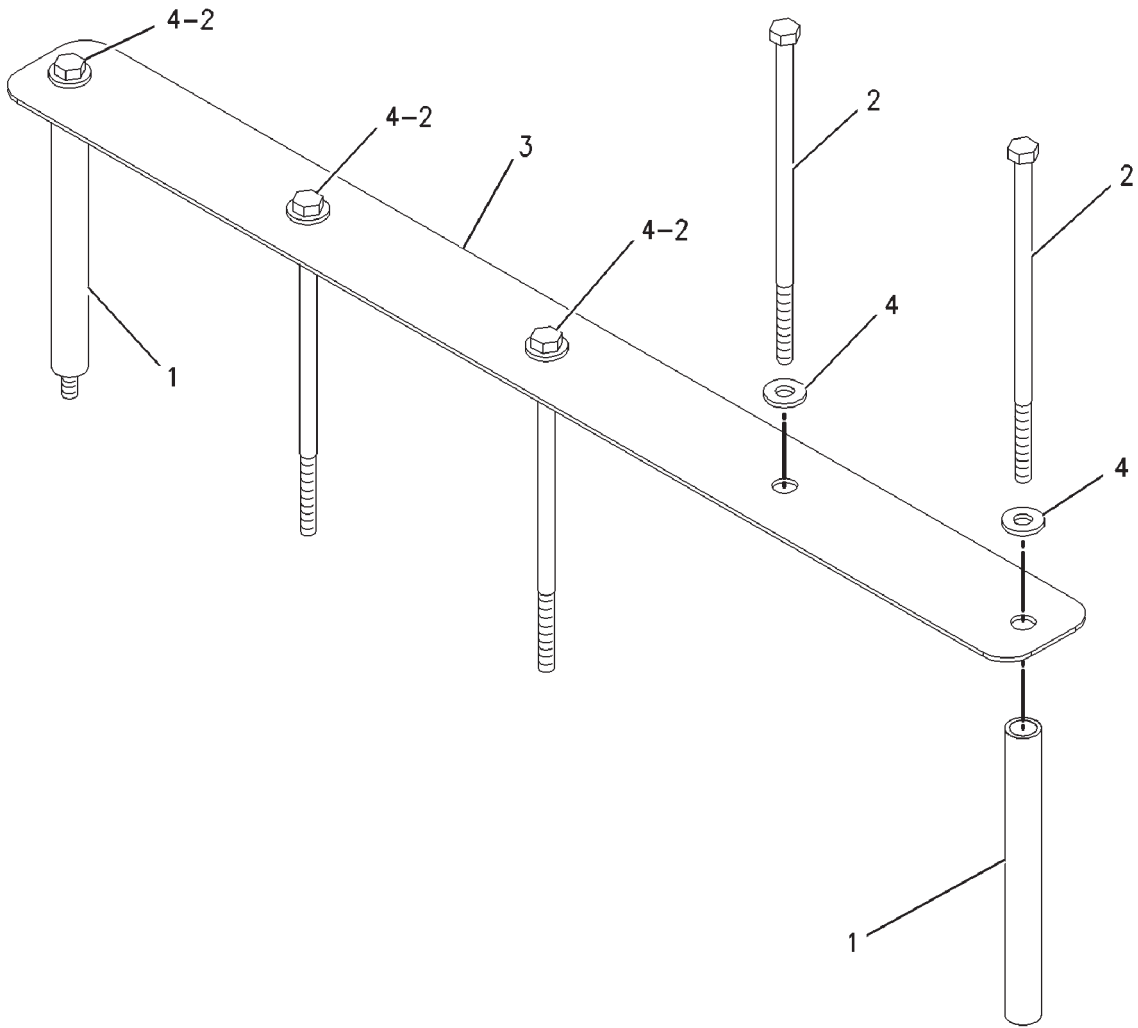
| ITEM | NUMBER | QTY | DESCRIPTION |
|------|-----------|-----|-------------------------------|
| - | 501033D1 | - | CONTROL GP-ELECTRONIC [A] |
| 1 | 400511X1 | 1 | WEDGE-RECEPTACLE LOCK (2 PIN) |
| 2 | 400717X1 | 1 | WEDGE-RECEPTACLE LOCK (3 PIN) |
| 3 | 400562X1 | 5 | PIN-CONNECTOR |
| 4 | | 1 | CONTROL ASM-ELECTRONIC [B] |
| 5 | CH3E-3363 | 1 | RECEPTACLE (2 PIN) |
| 6 | CH3E-3369 | 1 | RECEPTACLE (3 PIN) |

[A] PART OF 136-5477 WIRING GP-CONSOLE
[B] NOT SERVICED SEPARATELY

00759685
PR: t05b22n43d0098

MT800B SERIES TRACTORS
ELECTRICAL & STARTING

MOUNTING GP-BATTERY - 142-9739
4 BATTERIES



MT800B SERIES TRACTORS
ELECTRICAL & STARTING

255

MOUNTING GP-BATTERY - 142-9739
4 BATTERIES

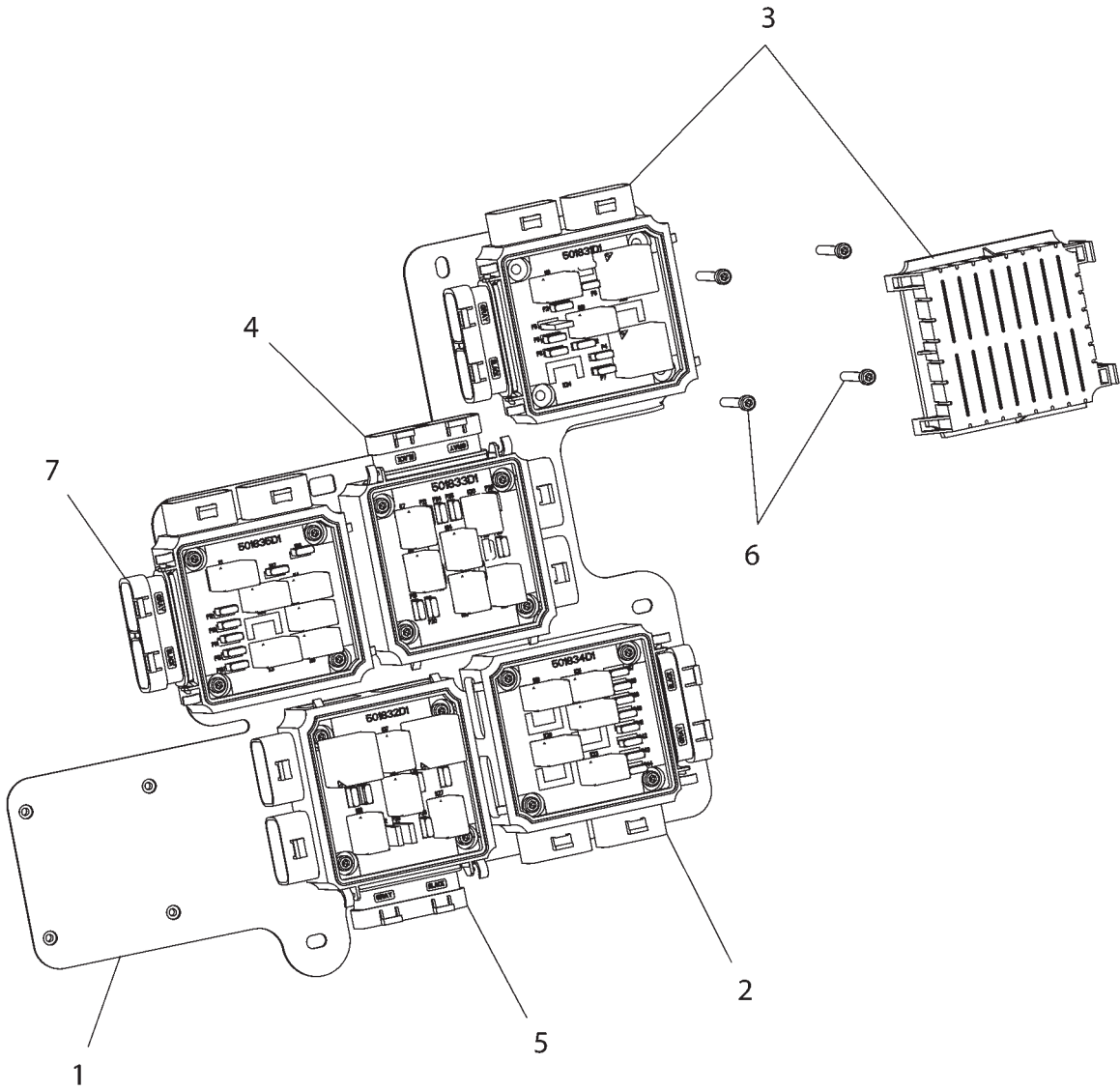
| ITEM | NUMBER | QTY | DESCRIPTION |
|------|------------|-----|--|
| - | 142-9739 | - | MOUNTING GP-BATTERY [A] (NOT SERVICED) |
| 1 | CH149-2758 | 2 | SPACER (15.9X21.4X204.22) |
| 2 | 400005X1 | 5 | BOLT-HEX HEAD (M10X1.5X230MM) |
| 3 | 189-5477 | 1 | PLATE |
| 4 | CH7X-7729 | 5 | WASHER (11X25X3) |

[A] PART OF 136-5662; 136-5663 BATTERY
& WIRING GP

00837360
PR: t05b22n43d0099

MT800B SERIES TRACTORS
ELECTRICAL & STARTING

FUSE GP - 169-6380



**MT800B SERIES TRACTORS
ELECTRICAL & STARTING**

257

FUSE GP - 169-6380

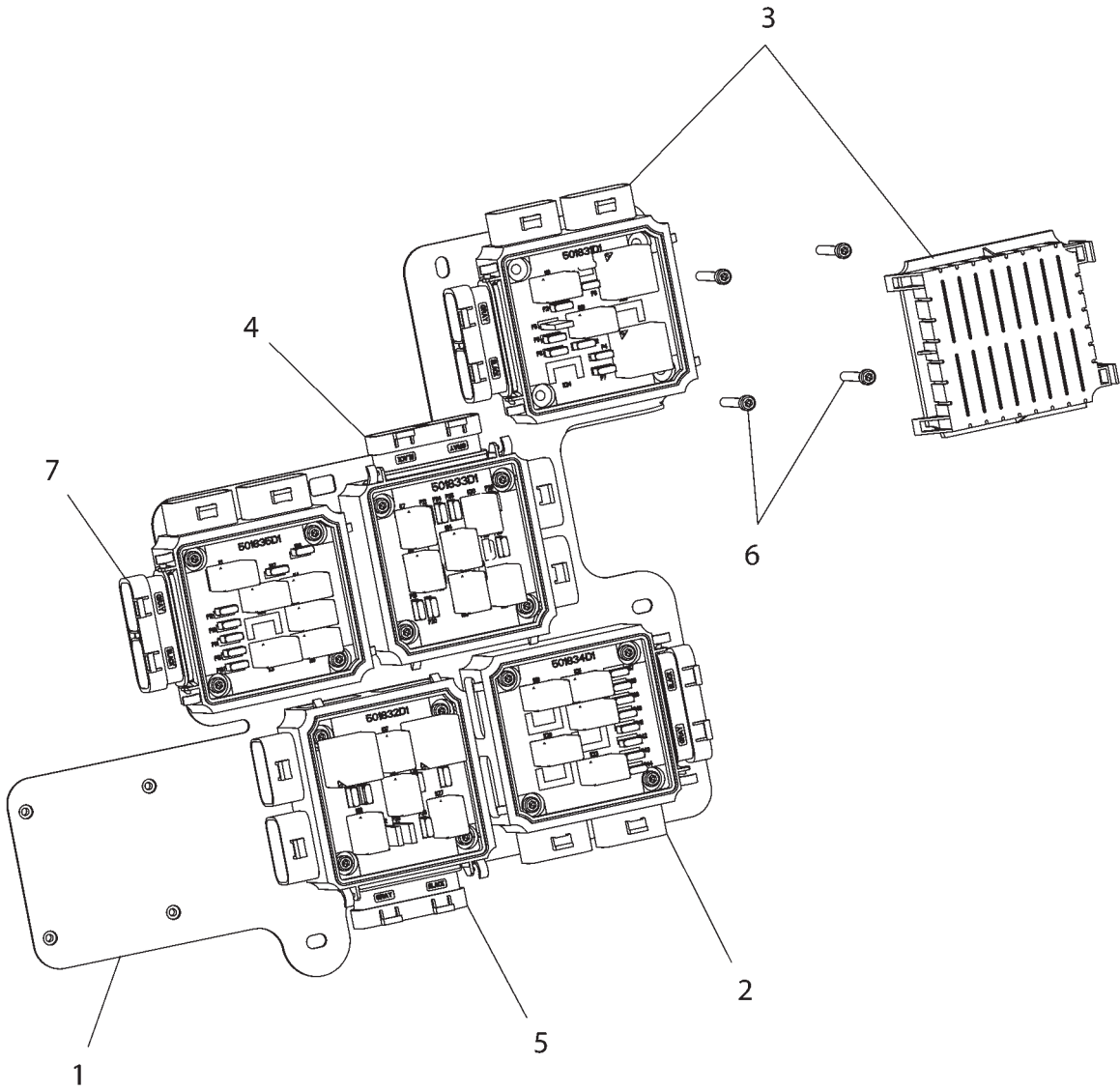
| ITEM | NUMBER | QTY | DESCRIPTION |
|------|-----------|-----|--|
| - | 169-6380 | - | PANEL GP-FUSE (NOT SERVICED) [A] |
| 1 | 501887D1 | 1 | PLATE AS |
| | CH8T-8874 | 20 | NUT-WELD (M5X0.8 THD) |
| 2 | 501834D1 | 1 | BLOCK AS-FUSE (SEE BREAKDOWN FOR COMPONENTS) |
| 3 | 501830D1 | 1 | BLOCK AS-FUSE (SEE BREAKDOWN (SEE BREAKDOWN FOR COMPONENTS) |
| 4 | 501833D1 | 1 | BLOCK AS-FUSE (SEE BREAKDOWN FOR COMPONENTS) |
| 5 | 501832D1 | 1 | BLOCK AS-FUSE (SEE BREAKDOWN FOR COMPONENTS) |
| 6 | 400208X1 | 20 | BOLT-SOCKET HEAD (M5X0.8X40MM) |
| 7 | 501835D1 | 1 | BLOCK AS-FUSE (SEE BREAKDOWN FOR COMPONENTS) |

[A] PART OF 152-0420 WIRING GP-CAB

1726841J
PR: t05k07n15a0005

MT800B SERIES TRACTORS
ELECTRICAL & STARTING

FUSE GP-CLAAS - 172-6841
EAME ONLY



MT800B SERIES TRACTORS
ELECTRICAL & STARTING

259

FUSE GP-CLAAS - 172-6841
EAME ONLY

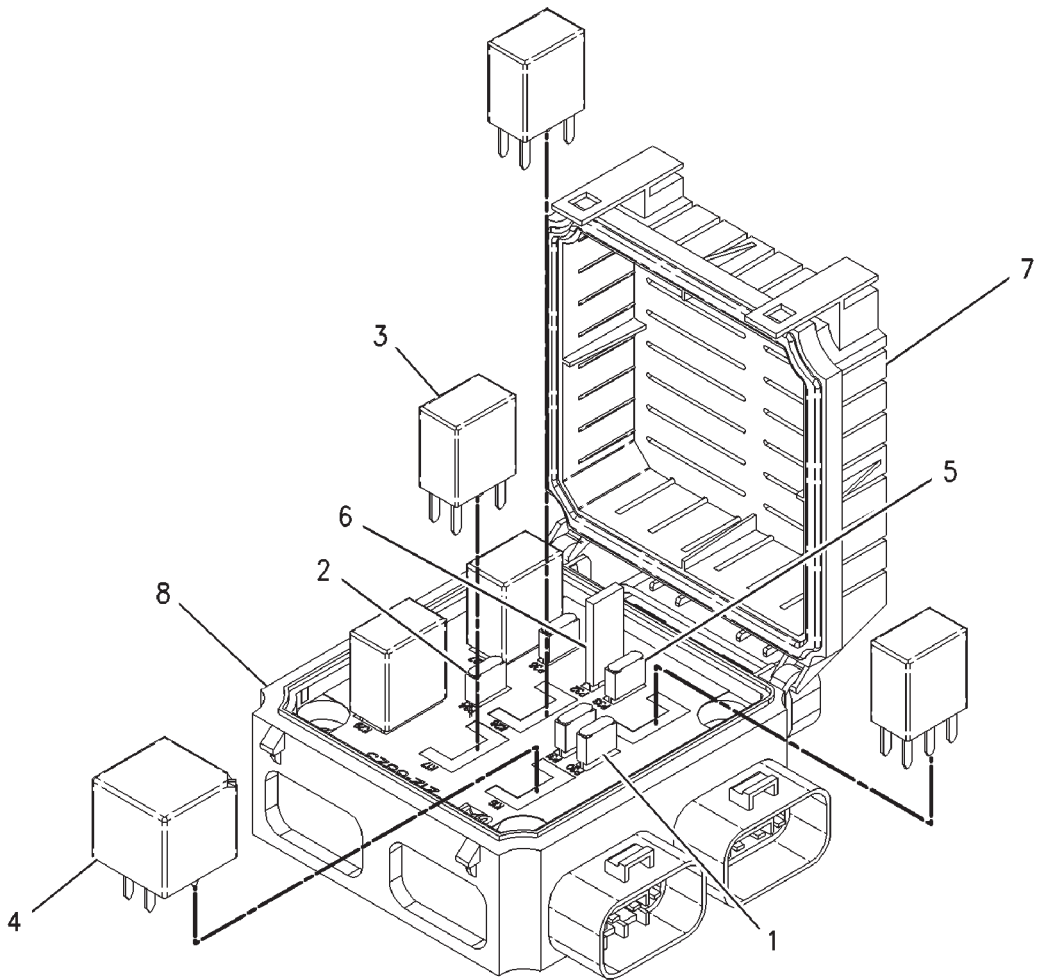
| ITEM | NUMBER | QTY | DESCRIPTION |
|------|-----------|-----|--|
| - | 172-6841 | - | PANEL GP-FUSE [A] |
| 1 | 501887D1 | 1 | PLATE AS |
| | CH8T-8874 | 20 | NUT-WELD (M5X0.8THD) |
| 2 | 501834D1 | 1 | BLOCK AS-FUSE (SEE BREAKDOWN FOR COMPONENTS) |
| 3 | 501831D1 | 1 | BLOCK AS-FUSE (SEE BREAKDOWN (SEE BREAKDOWN FOR COMPONENTS) |
| 4 | 501833D1 | 1 | BLOCK AS-FUSE (SEE BREAKDOWN FOR COMPONENTS) |
| 5 | 501832D1 | 1 | BLOCK AS-FUSE (SEE BREAKDOWN FOR COMPONENTS) |
| 6 | 400208X1 | 20 | BOLT-SOCKET HEAD (M5X0.8X40MM) |
| 7 | 501835D1 | 1 | BLOCK AS-FUSE (SEE BREAKDOWN FOR COMPONENTS) |

[A] PART OF 152-0005 WIRING GP-CAB

1726841J
PR: t05b22n43d0100

MT800B SERIES TRACTORS
ELECTRICAL & STARTING

BLOCK AS-FUSE
501829D1



MT800B SERIES TRACTORS
ELECTRICAL & STARTING

261

BLOCK AS-FUSE
501829D1

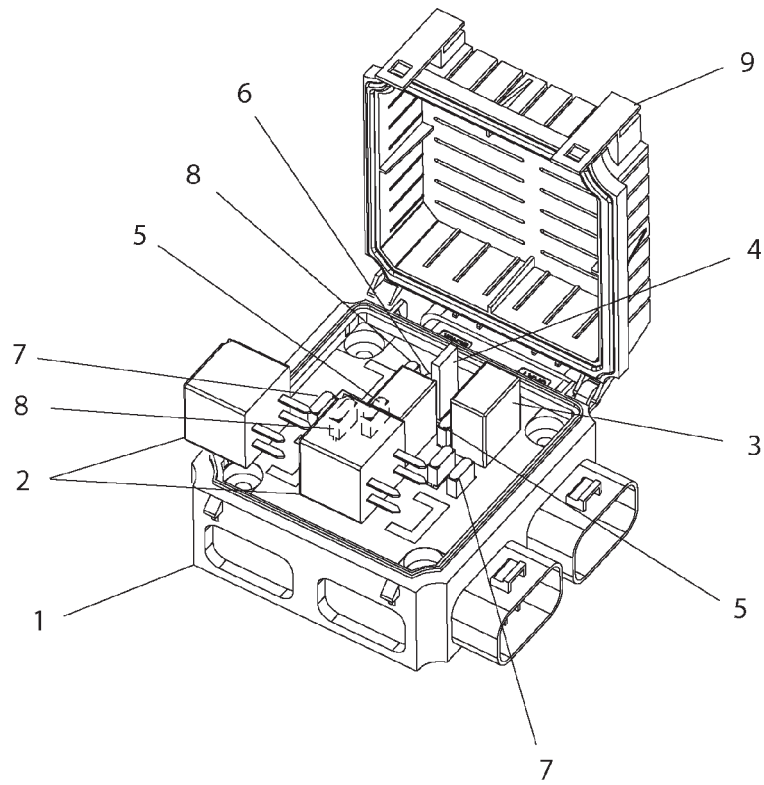
| ITEM | NUMBER | QTY | DESCRIPTION |
|------|------------|-----|-------------------------------|
| - | 501829D1 | - | BLOCK ASY-FUSE (COMPLETE) [A] |
| 1 | CH113-8490 | 1 | FUSE (10 AMP) |
| | CH141-2759 | 1 | FUSE (5 AMP) |
| 2 | CH113-8491 | 1 | FUSE (15 AMP) |
| | CH141-2759 | 1 | FUSE (5 AMP) |
| 3 | CH146-9439 | 5 | RELAY (12 VOLT) |
| 4 | CH170-2237 | 1 | RELAY (12 VOLT) |
| 5 | CH113-8492 | 1 | FUSE (20 AMP) |
| 6 | CH124-3548 | 1 | FUSE (30 AMP) |
| 7 | 501836D1 | 1 | COVER |
| 8 | 501841D1 | 1 | BLOCK-FUSE |
| 9 | CH141-2759 | 2 | FUSE (5 AMP) |

[A] PART OF 216-0852 CONTROL AR-
COMMUNICATION

00878049
PR: t05b22n43d0101

MT800B SERIES TRACTORS
ELECTRICAL & STARTING

BLOCK AS-FUSE
501830D1



501830DA

MT800B SERIES TRACTORS
ELECTRICAL & STARTING

263

BLOCK AS-FUSE
501830D1

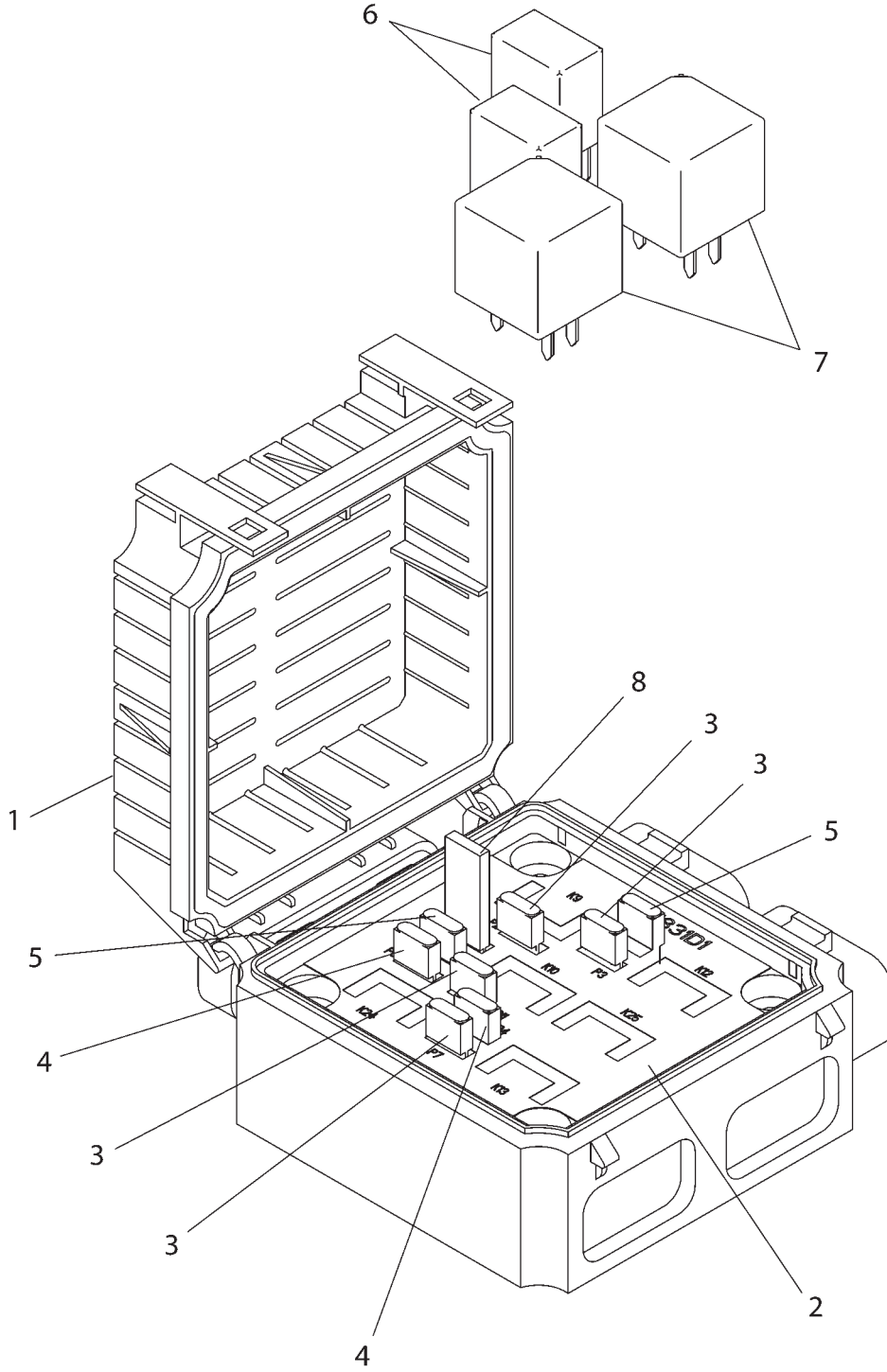
| ITEM | NUMBER | QTY | DESCRIPTION |
|------|------------|-----|--------------------------|
| - | 501830D1 | - | BLOCK AS-FUSE [A] |
| 1 | 501837D1 | 1 | BLOCK-FUSE |
| 2 | CH170-2237 | 2 | RELAY AS (12V) |
| 3 | CH146-9439 | 2 | RELAY AS (12V) |
| 4 | CH180-0613 | 1 | BREAKER AS-CIRCUIT (30A) |
| 5 | CH113-8490 | 3 | FUSE (10A) |
| 6 | CH113-8491 | 1 | FUSE (15A) |
| 7 | CH124-3548 | 2 | FUSE (30A) |
| 8 | CH113-8492 | 2 | FUSE (20A) |
| 9 | 501836D1 | 1 | COVER-FUSE BLOCK |

[A] PART OF 169-6380 FUSE GP

501830DA
PR: t05k07n15a0006

MT800B SERIES TRACTORS
ELECTRICAL & STARTING

BLOCK AS-FUSE
501831D1



MT800B SERIES TRACTORS
ELECTRICAL & STARTING

265

BLOCK AS-FUSE
501831D1

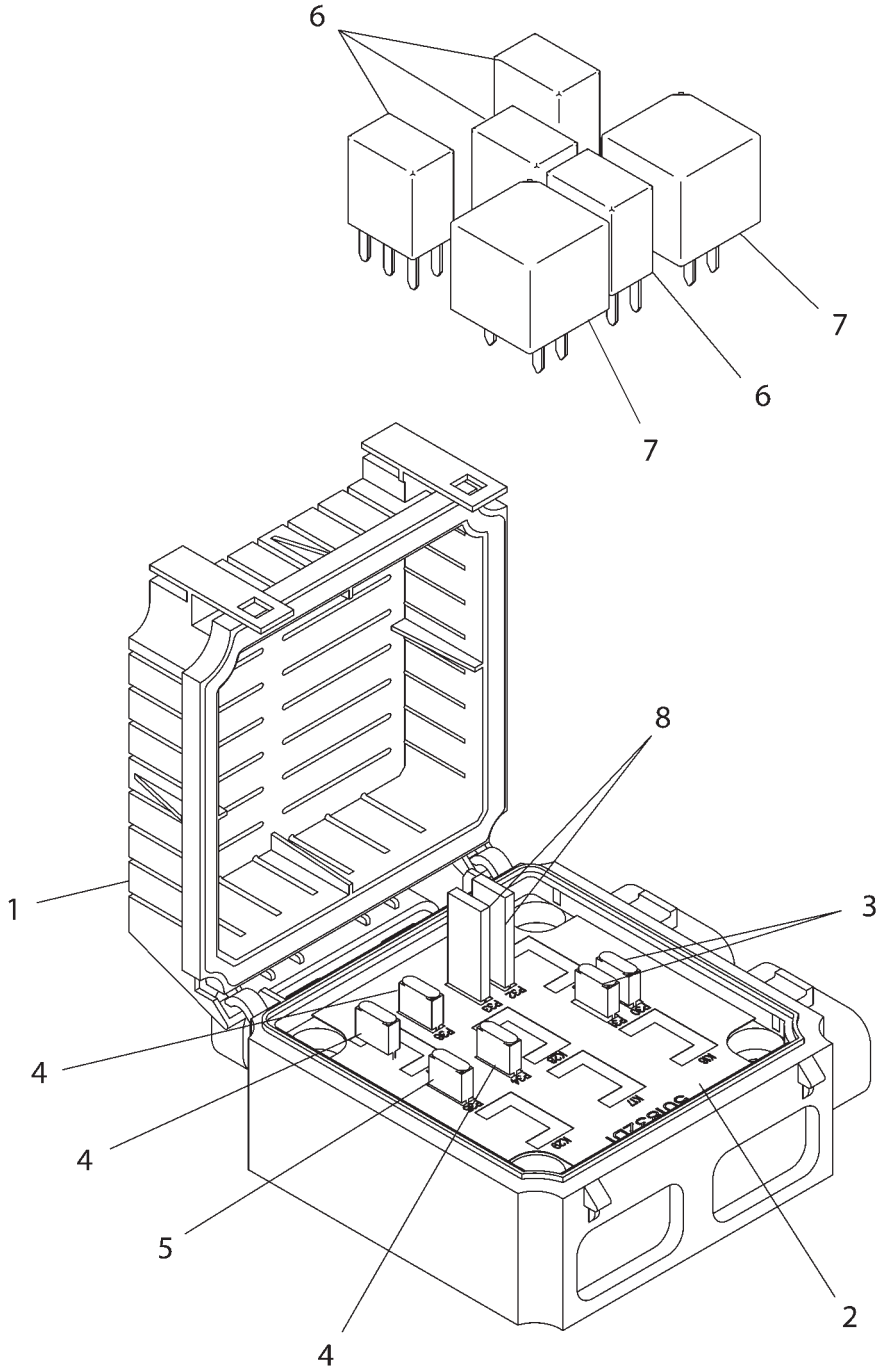
| ITEM | NUMBER | QTY | DESCRIPTION |
|------|------------|-----|--------------------------|
| - | 501831D1 | - | BLOCK AS-FUSE [A] |
| 1 | 501836D1 | 1 | COVER |
| 2 | 501840D1 | 1 | BLOCK-FUSE |
| 3 | CH113-8490 | 4 | FUSE (10A) |
| 4 | CH113-8492 | 2 | FUSE (20A) |
| 5 | CH124-3548 | 2 | FUSE (30A) |
| 6 | CH146-9439 | 2 | RELAY AS (12V) |
| 7 | CH170-2237 | 2 | RELAY AS (12V) |
| 8 | CH180-0613 | 1 | BREAKER AS-CIRCUIT (30A) |

[A] PART OF 172-6841 FUSE GP

501831DC
PR: t05b22n43d0102

MT800B SERIES TRACTORS
ELECTRICAL & STARTING

BLOCK AS-FUSE
501832D1



MT800B SERIES TRACTORS
ELECTRICAL & STARTING

267

BLOCK AS-FUSE
501832D1

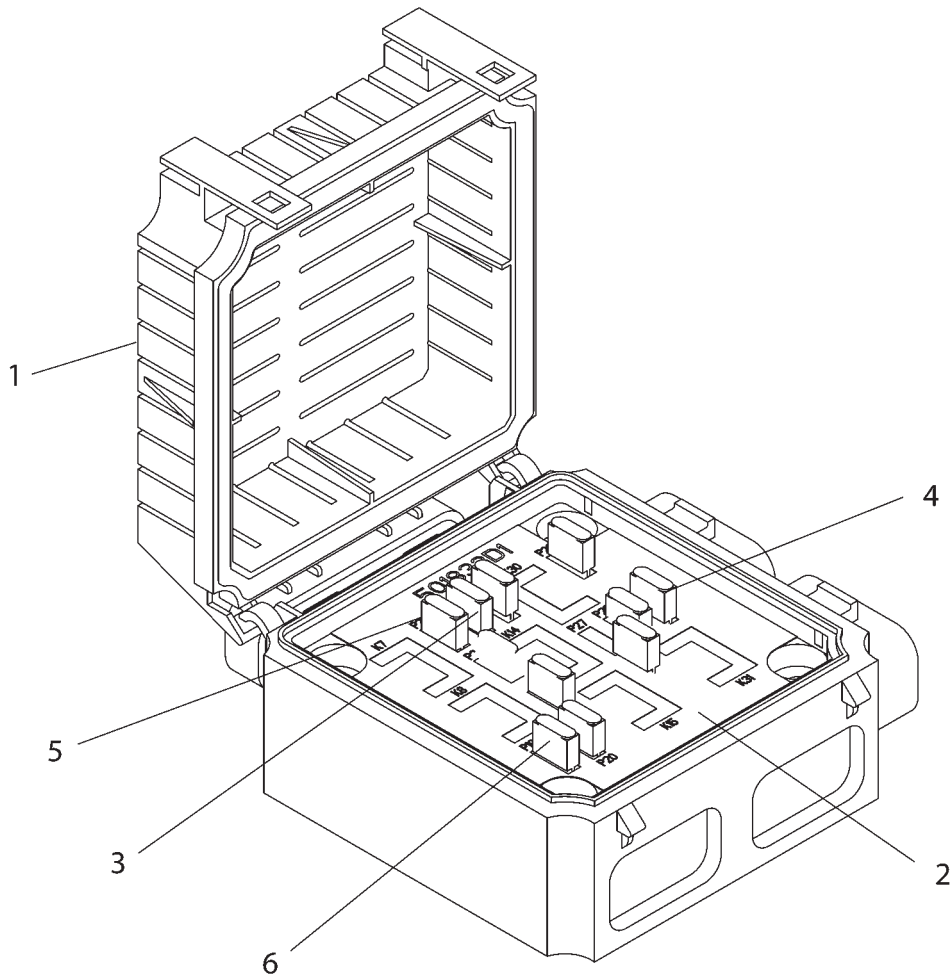
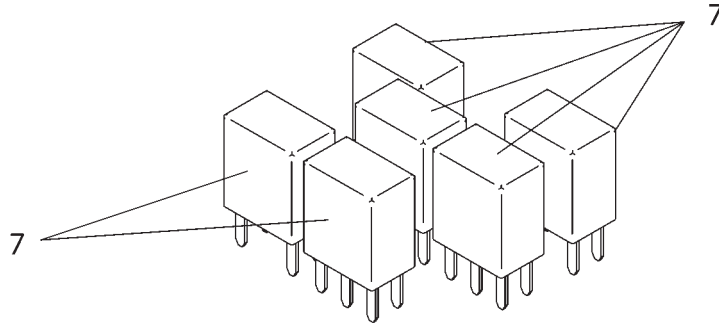
| ITEM | NUMBER | QTY | DESCRIPTION |
|------|------------|-----|--------------------------|
| - | 501832D1 | - | BLOCK AS-FUSE [A] |
| 1 | 501836D1 | 1 | COVER |
| 2 | 501877D1 | 1 | BLOCK-FUSE |
| 3 | CH113-8490 | 2 | FUSE (10A) |
| 4 | CH113-8491 | 3 | FUSE (15A) |
| 5 | CH124-3548 | 1 | FUSE (30A) |
| 6 | CH146-9439 | 4 | RELAY AS (12V) |
| 7 | CH170-2237 | 2 | RELAY AS (12V) |
| 8 | CH180-0613 | 2 | BREAKER AS-CIRCUIT (30A) |

[A] PART OF 172-6841 FUSE GP

501832DC
PR: t05b22n43d0103

MT800B SERIES TRACTORS
ELECTRICAL & STARTING

BLOCK AS-FUSE
501833D1



MT800B SERIES TRACTORS
ELECTRICAL & STARTING

269

BLOCK AS-FUSE
501833D1

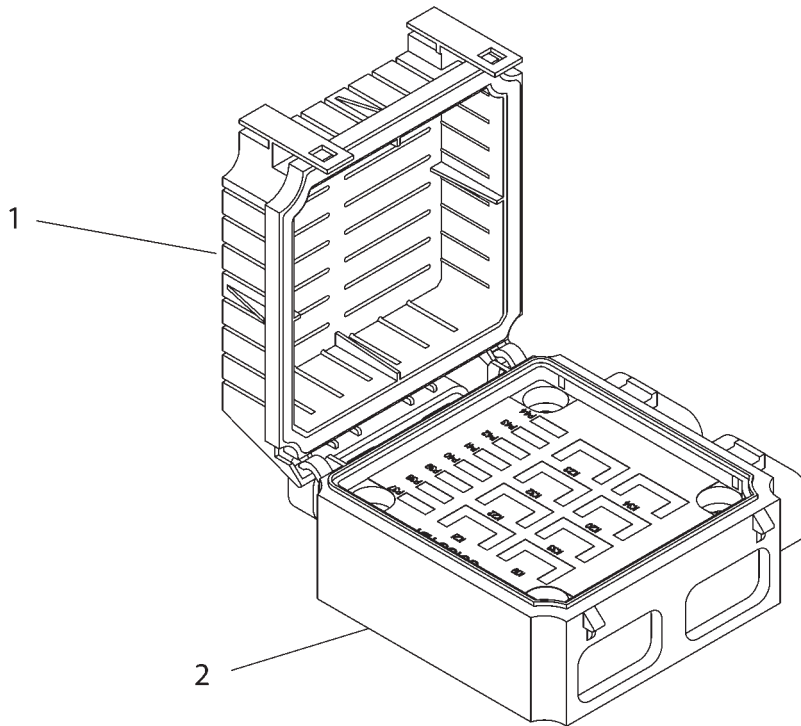
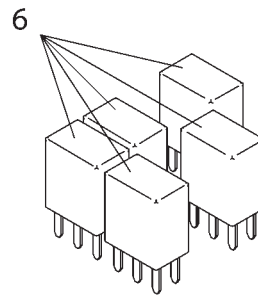
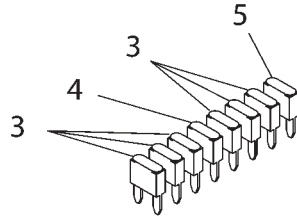
| ITEM | NUMBER | QTY | DESCRIPTION |
|------|------------|-----|-------------------|
| - | 501833D1 | - | BLOCK AS-FUSE [A] |
| 1 | 501836D1 | 1 | COVER |
| 2 | 501838D1 | 1 | BLOCK-FUSE |
| 3 | CH113-8490 | 3 | FUSE (10V) |
| 4 | CH113-8491 | 4 | FUSE (15A) |
| 5 | CH124-3548 | 2 | FUSE (30A) |
| 6 | CH141-2759 | 2 | FUSE (5A) |
| 7 | CH146-9439 | 6 | RELAY AS (12V) |

[A] PART OF 172-6841 FUSE GP

501833DC
PR: t05b22n43d0104

MT800B SERIES TRACTORS
ELECTRICAL & STARTING

BLOCK AS-FUSE
501834D1



MT800B SERIES TRACTORS
ELECTRICAL & STARTING

271

BLOCK AS-FUSE
501834D1

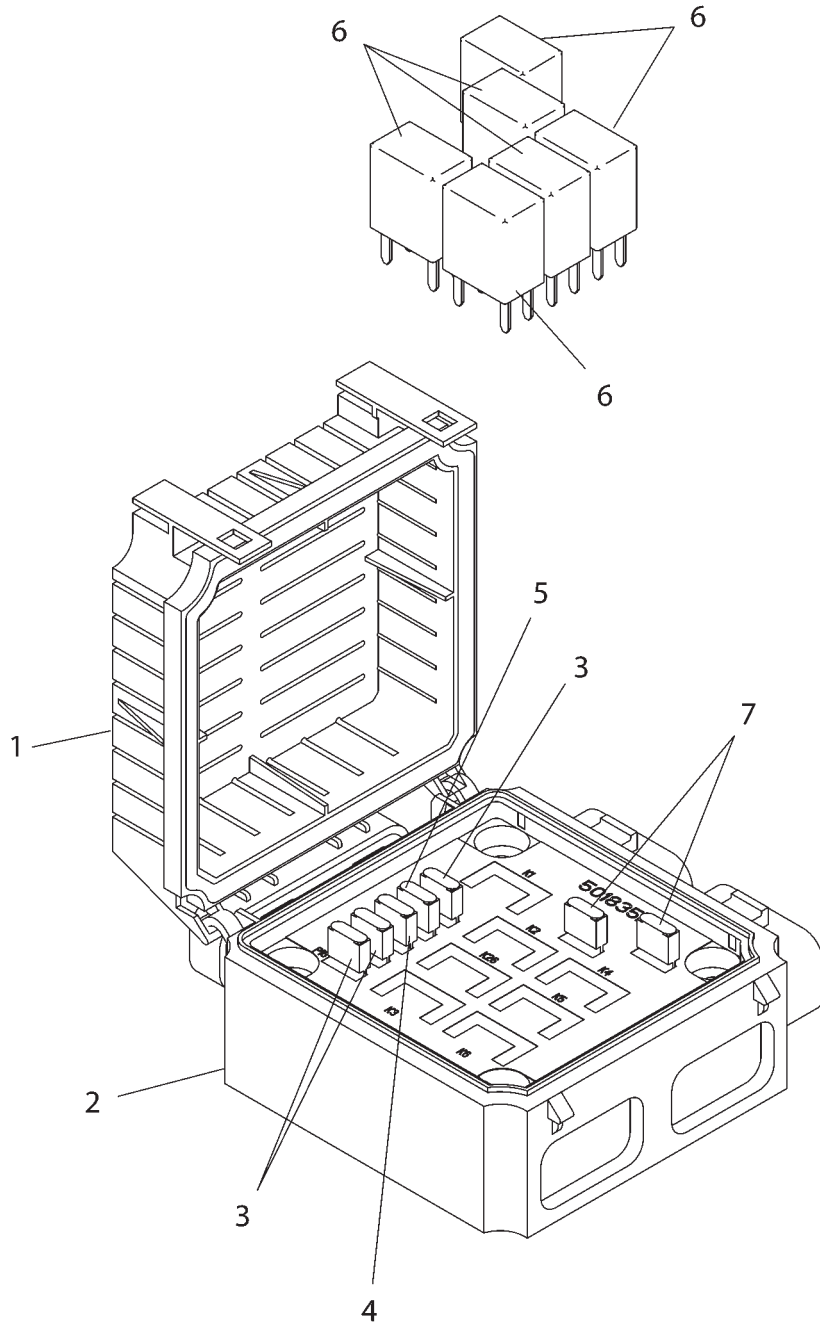
| ITEM | NUMBER | QTY | DESCRIPTION |
|------|------------|-----|-------------------|
| - | 501834D1 | - | BLOCK AS-FUSE [A] |
| 1 | 501836D1 | 1 | COVER |
| 2 | 501839D1 | 1 | BLOCK-FUSE |
| 3 | CH113-8491 | 6 | FUSE (15A) |
| 4 | CH113-8492 | 1 | FUSE (20V) |
| 5 | CH141-2759 | 1 | FUSE (5A) |
| 6 | CH146-9439 | 5 | RELAY AS (12V) |

[A] PART OF 172-6841 FUSE GP

501834DC
PR: t05b22n43d0105

MT800B SERIES TRACTORS
ELECTRICAL & STARTING

BLOCK AS-FUSE
501835D1



MT800B SERIES TRACTORS
ELECTRICAL & STARTING

273

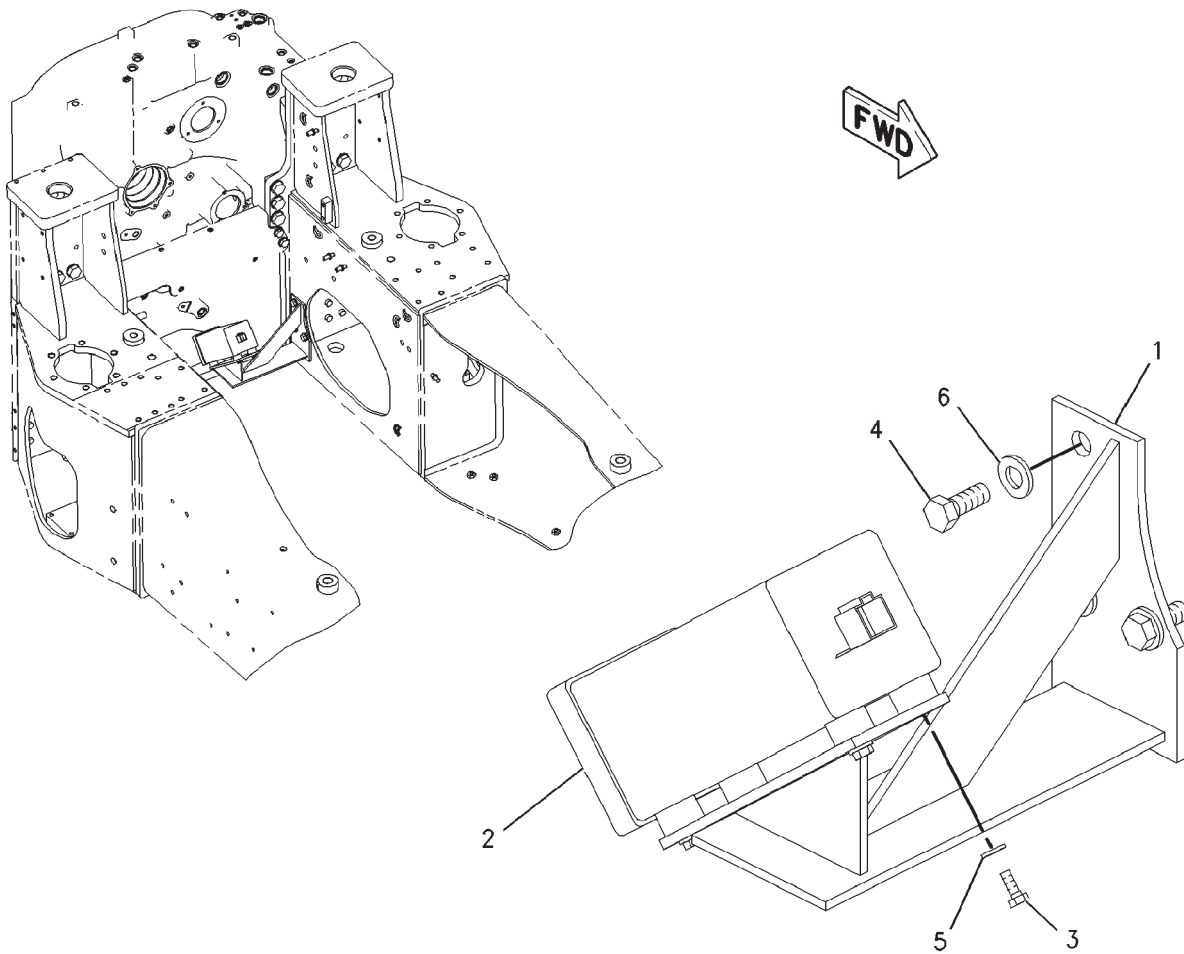
BLOCK AS-FUSE
501835D1

| ITEM | NUMBER | QTY | DESCRIPTION |
|------|------------|-----|--------------------------|
| - | 501835D1 | - | BLOCK AS-FUSE [A] |
| 1 | 501836D1 | 1 | COVER |
| 2 | 501842D1 | 1 | BLOCK-FUSE |
| 3 | CH113-8491 | 3 | FUSE (15A) |
| 4 | CH113-8492 | 1 | FUSE (20V) |
| 5 | CH141-2759 | 1 | FUSE (5A) |
| 6 | CH146-9439 | 6 | RELAY AS (12V) |
| 7 | CH173-3175 | 2 | BREAKER AS-CIRCUIT (20A) |

[A] PART OF 172-6841 FUSE GP

501835DC
PR: t05b22n43d0106

SENSOR & MTG GP-GROUND SPEED
136-5388



MT800B SERIES TRACTORS
ELECTRICAL & STARTING

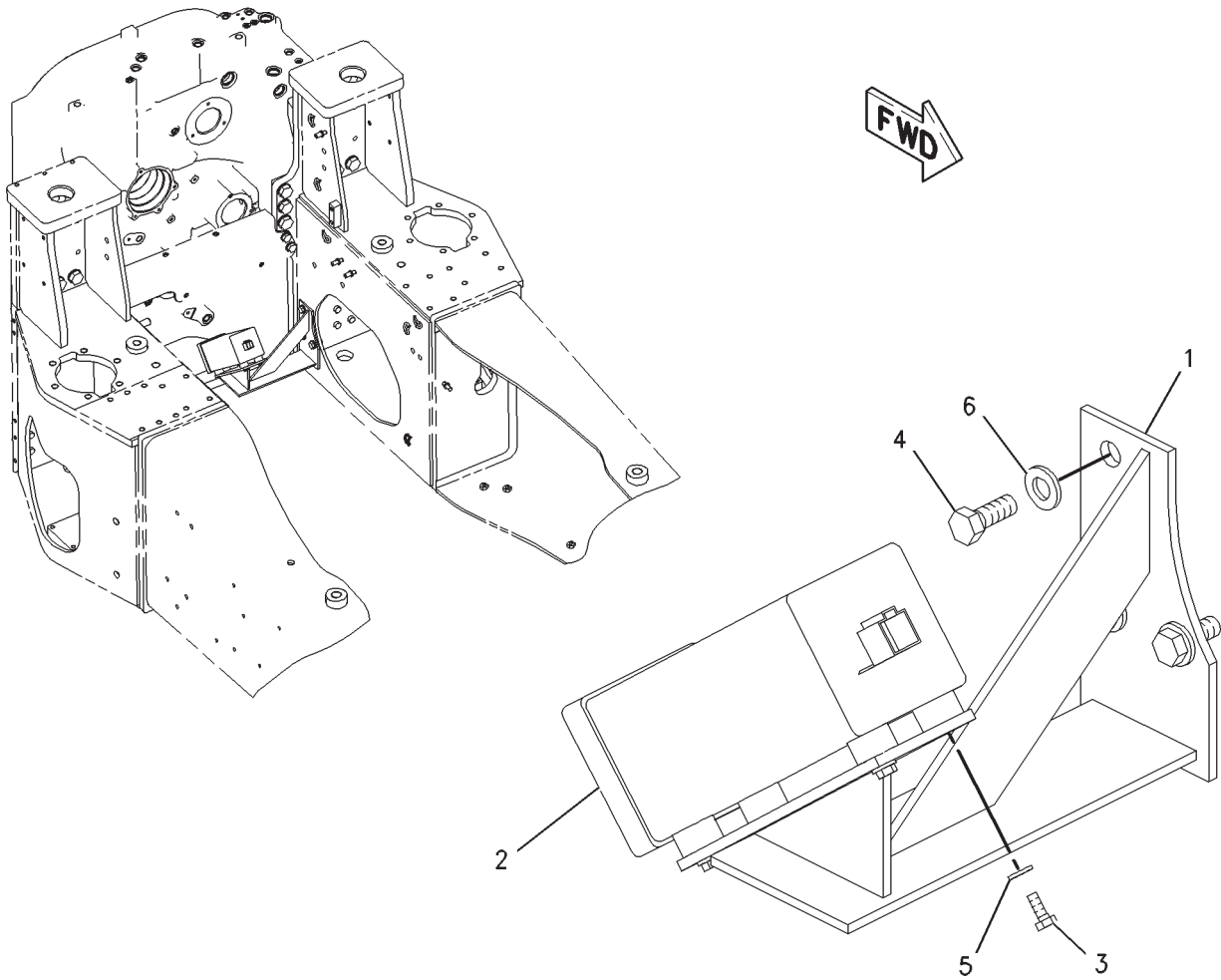
275

SENSOR & MTG GP-GROUND SPEED
136-5388

| ITEM | NUMBER | QTY | DESCRIPTION |
|------|------------|-----|------------------------------|
| - | 136-5388 | - | SENSOR & MTG GP-GROUND SPEED |
| 1 | 136-5261 | 1 | BRACKET ASM |
| 2 | CH179-4265 | 1 | SENSOR GP-GROUND SPEED |
| 3 | 400152X1 | 4 | BOLT (M6X1X16MM) |
| 4 | 400041X1 | 3 | BOLT (M12X1.75X30MM) |
| 5 | CH8T-4205 | 4 | WASHER-HARD (7.2X14.5X2MM) |
| 6 | 400357X1 | 3 | WASHER-HARD (M12X25.5X3) |

00850277
PR: t05b22n43d0107

SENSOR & MTG GP-GROUND SPEED
136-5404
EAME



MT800B SERIES TRACTORS
ELECTRICAL & STARTING

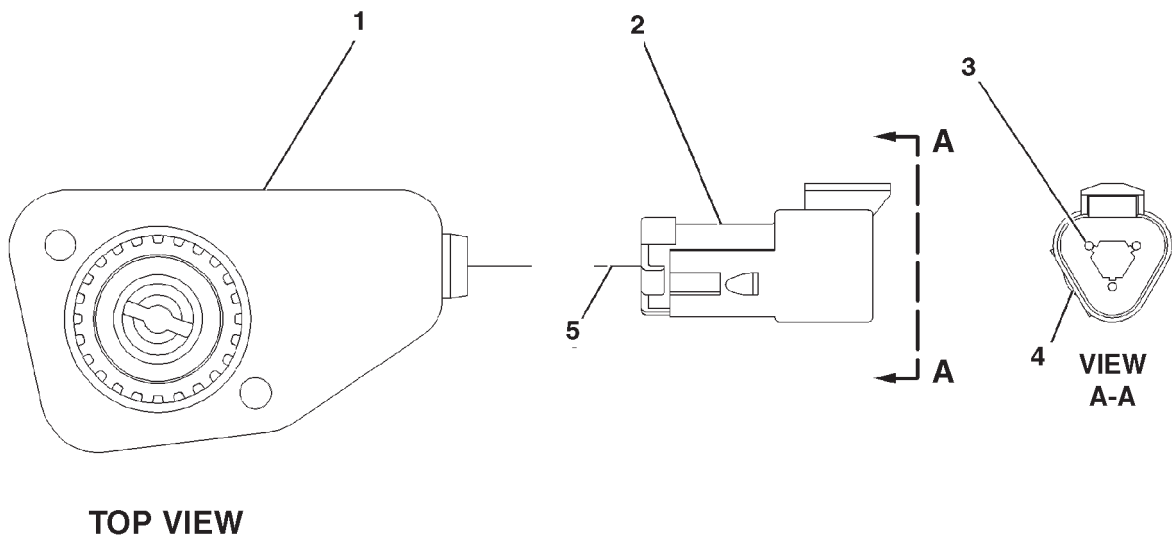
277

SENSOR & MTG GP-GROUND SPEED
136-5404
EAME

| ITEM | NUMBER | QTY | DESCRIPTION |
|------|------------|-----|------------------------------|
| - | 136-5404 | - | SENSOR & MTG GP-GROUND SPEED |
| 1 | 136-5261 | 1 | BRACKET AS |
| 2 | CH180-7317 | 1 | SENSOR GP-GROUND SPEED |
| 3 | 400152X1 | 4 | BOLT (M6X1X16MM) |
| 4 | 400041X1 | 3 | BOLT (M12X1.75X30MM) |
| 5 | CH8T-4205 | 4 | WASHER-HARD (7.2X14.5X2MM) |
| 6 | 400357X1 | 3 | WASHER-HARD (M12X25.5X3) |

00784295
PR: t05b22n43d0108

SENSOR GP-POSITION - 500619D1
REAR HITCH HEIGHT-OUTER



MT800B SERIES TRACTORS
ELECTRICAL & STARTING

279

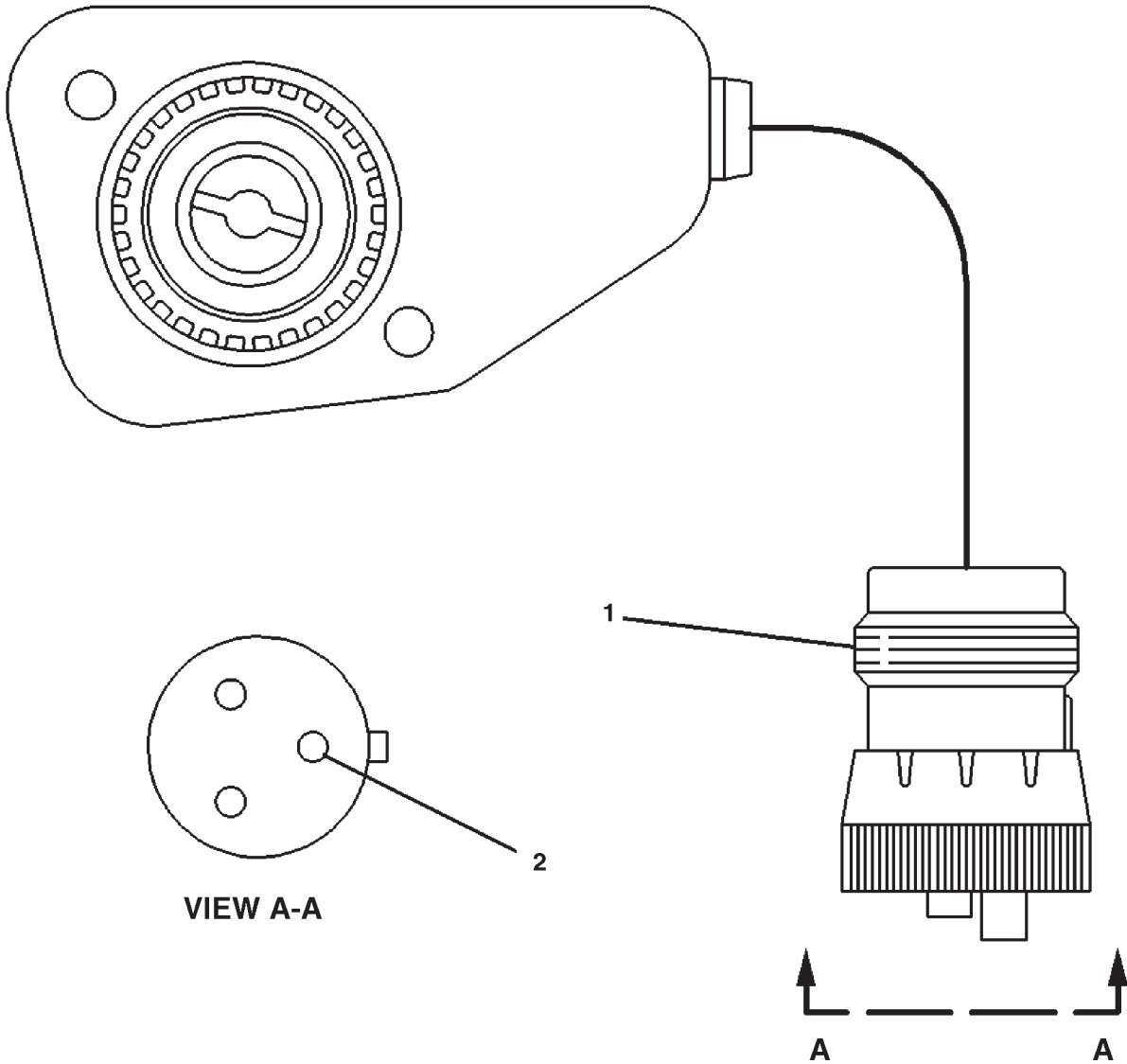
SENSOR GP-POSITION - 500619D1
REAR HITCH HEIGHT-OUTER

| ITEM | NUMBER | QTY | DESCRIPTION |
|------|----------|-----|--|
| - | 500619D1 | - | SENSOR GP-POSITION [A] |
| 1 | | 1 | SENSOR ASM-POSITION (NOT SERVICED SEPARATELY) |
| 2 | 102-8803 | 1 | KIT-RECEPTACLE (3 PIN) (INCLUDES RECEPTACLE ASM AND WEDGE) (SERVICED AS COMPLETE KIT ONLY) |
| 3 | 186-3735 | 3 | PIN-CONNECTOR |
| 4 | 3E-3371 | 1 | WEDGE-RECEPTACLE LOCK (3 PIN) |
| 5 | 9X-1813 | 13 | SLEEVE (13CM) |

[A] PART OF 136-5378 CONTROL & WIRING
GP-HITCH

00543657
PR: t05b22n43d0109

SENSOR GP-POSITION - 502003D1
REAR HITCH HEIGHT-INNER ROTARY SENSOR



MT800B SERIES TRACTORS
ELECTRICAL & STARTING

281

SENSOR GP-POSITION - 502003D1
REAR HITCH HEIGHT-INNER ROTARY SENSOR

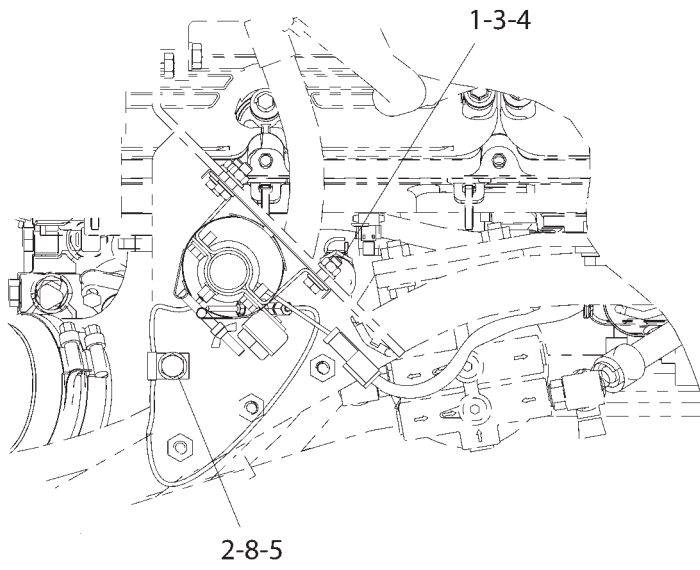
| ITEM | NUMBER | QTY | DESCRIPTION |
|------|----------|-----|---|
| - | 502003D1 | - | SENSOR GP-POSITION [A] (INCLS SENSOR ASM, PLUG & SOCKET) |
| 1 | 8T-8731 | 1 | PLUG-CONNECTOR |
| 2 | 186-3736 | 3 | SOCKET-CONNECTOR |

[A] PART OF 136-5378 CONTROL &
WIRING GP-HITCH

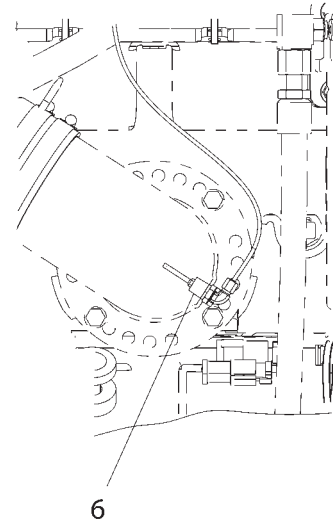
00083170
PR: t05b22n43d0110

MT800B SERIES TRACTORS
ELECTRICAL & STARTING

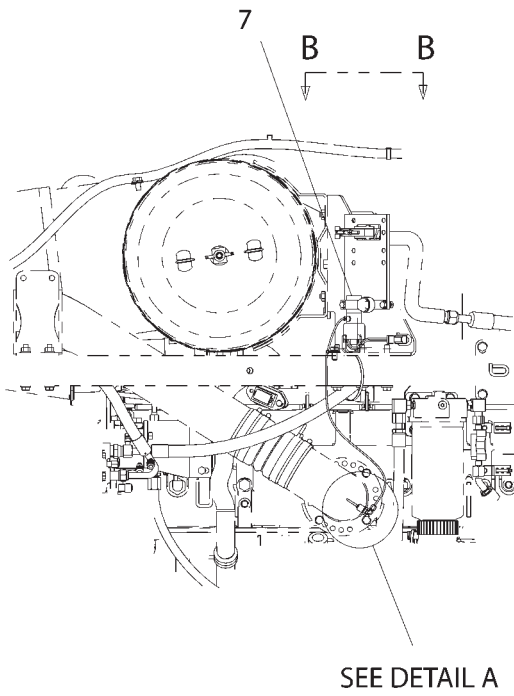
STARTING AID GP-ETHER - 501572D1



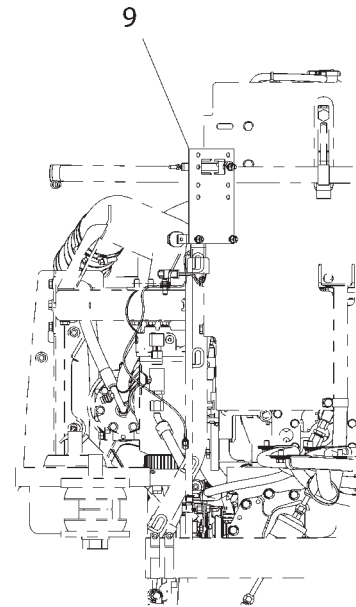
VIEW B-B



DETAIL A



LEFT SIDE VIEW



REAR VIEW

MT800B SERIES TRACTORS
ELECTRICAL & STARTING

283

STARTING AID GP-ETHER - 501572D1

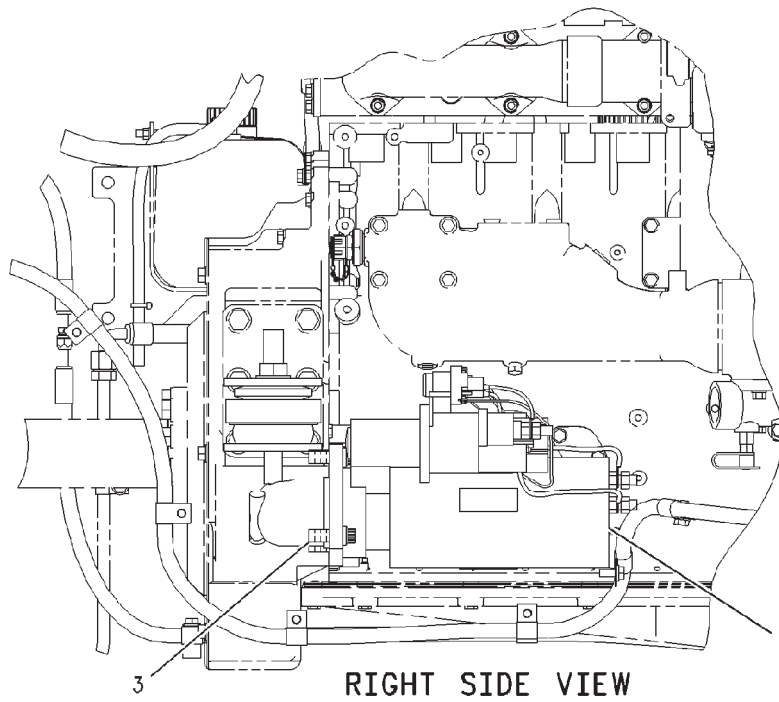
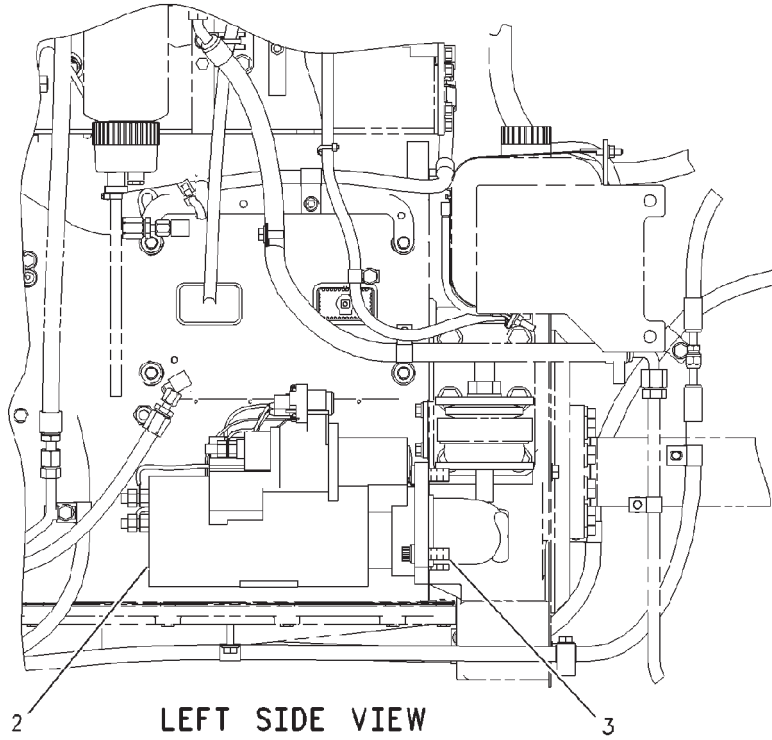
| ITEM | NUMBER | QTY | DESCRIPTION |
|------|----------|-----|---|
| - | 501572D1 | - | STARTING AID GP-ETHER [A] (INCL. ITEM 1 THRU 9) |
| 1 | WR520867 | 3 | BOLT (M8X1.25X25MM) |
| 2 | 400287X1 | 1 | WASHER-HARD (11X21X2.5) |
| 3 | 400339X1 | 6 | WASHER-HARD (8.8X16X2) |
| 4 | 400340X1 | 3 | NUT (M8X1.25) |
| 5 | 400602X1 | 1 | CLIP |
| 6 | 501966D1 | 1 | ATOMIZER |
| 7 | 501967D1 | 1 | VALVE GP-ETHER (NOT SERVICED) (SEE BREAKDOWN FOR COMPONENTS) |
| 8 | 400040X1 | 1 | BOLT (M10X1.5X20MM) |
| 9 | 211-1677 | 1 | MOUNTING GP-ETHER CANISTER (SEE BREAKDOWN FOR COMPONENTS) |
| 10 | 5P-3413 | | SEALANT-PIPE (50 ML TUBE) |
| | 7N-0296 | 1 | CYLINDER-ETHER (NOT SHOWN) |

[A] PART OF 501583D1; 501584D1;
501585D1; 501586D1; 501587D1
INSTALLATION AR-ENGINE

501572DB
PR: t05b22n43d0111

MT800B SERIES TRACTORS
ELECTRICAL & STARTING

STARTING MOTOR GP-ELECTRIC - 180-2924
(835 & 845)



MT800B SERIES TRACTORS
ELECTRICAL & STARTING

285

STARTING MOTOR GP-ELECTRIC - 180-2924
(835 & 845)

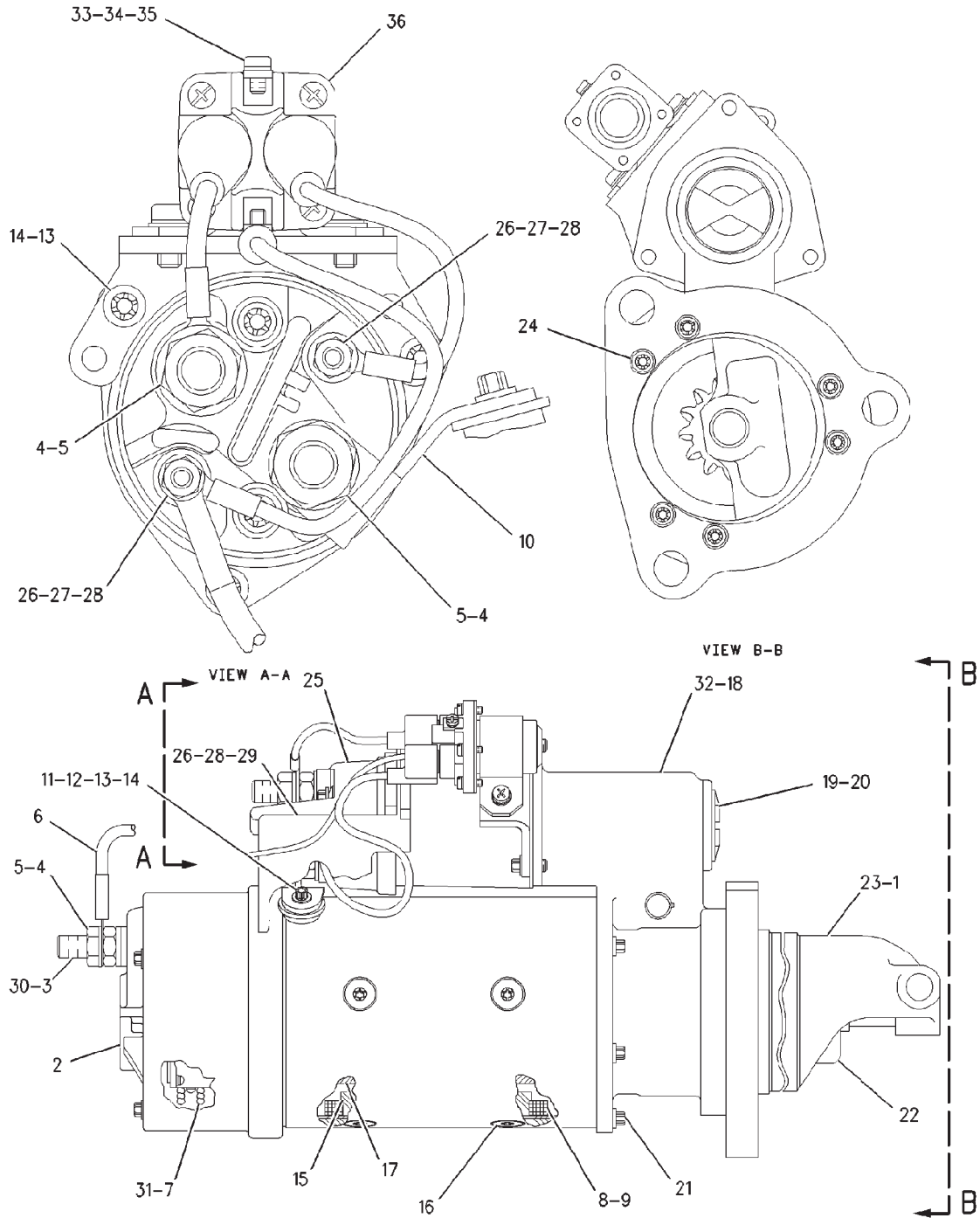
| ITEM | NUMBER | QTY | DESCRIPTION |
|------|----------|-----|---|
| - | 180-2924 | - | STARTING MOTOR GP-ELECTRIC [A] (NOT SERVICED) |
| 1 | 502282D1 | 1 | STARTING MOTOR GP-ELECTRIC (RH) (SEE BREAKDOWN FOR COMPONENTS) |
| 2 | 502283D1 | 1 | STARTING MOTOR GP-ELECTRIC (LH) (SEE BREAKDOWN FOR COMPONENTS) |
| 3 | 400265X1 | 6 | BOLT-12 POINT HEAD (5/8-11X44.4DAC) |

[A] PART OF:
172-5363; 172-5364; 187-1743;
187-1744; 501583D1; 501854D1
INSTALLATION AR-ENGINE

00868926
PR: t05b22n43d0112

MT800B SERIES TRACTORS
ELECTRICAL & STARTING

STARTING MOTOR GP-ELECTRIC - 502282D1
12 VOLT



**MT800B SERIES TRACTORS
ELECTRICAL & STARTING**

287

**STARTING MOTOR GP-ELECTRIC - 502282D1
12 VOLT**

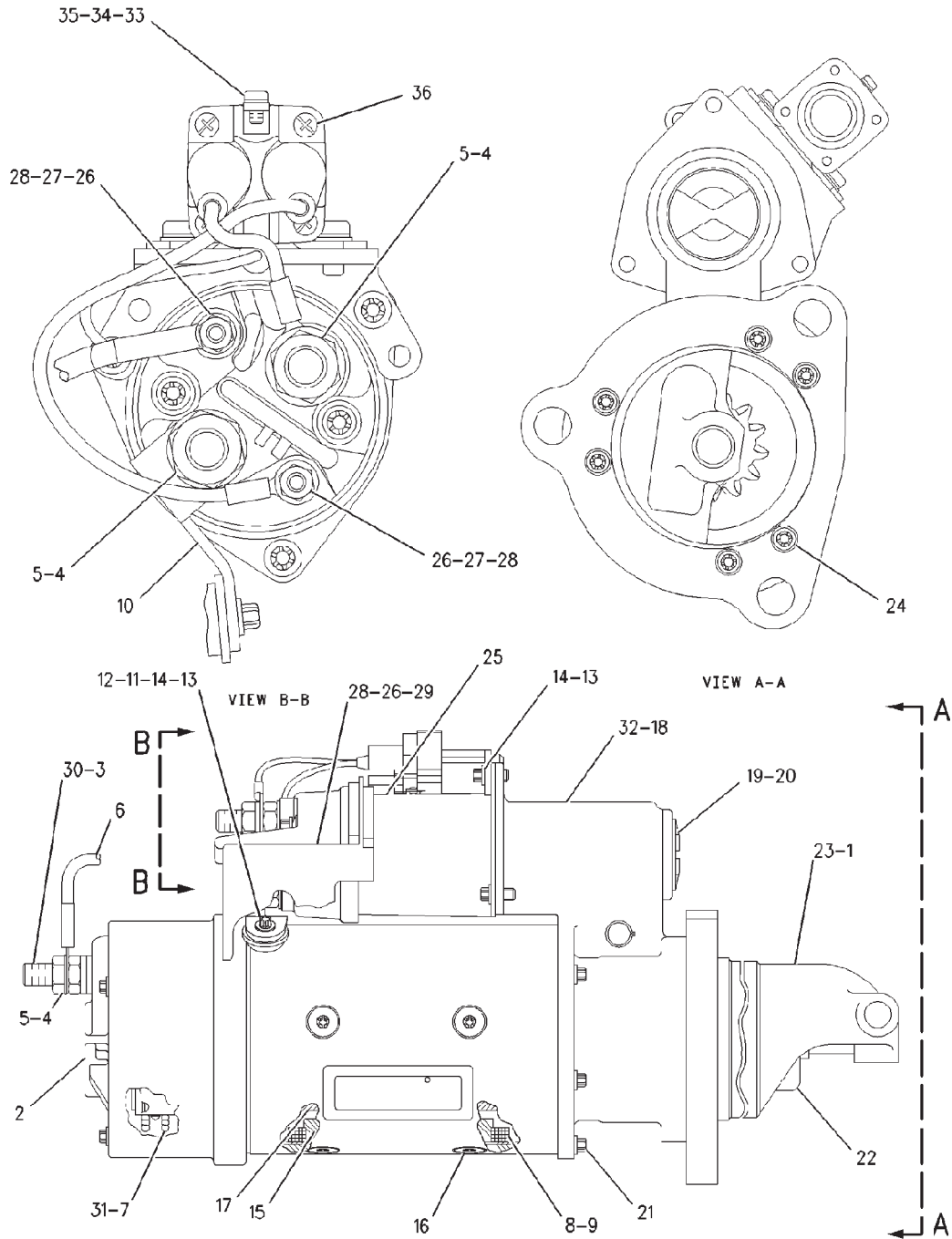
| ITEM | NUMBER | QTY | DESCRIPTION |
|------|-----------|-----|--|
| - | 502282D1 | - | STARTING MOTOR GP-ELECTRIC [A] |
| 1 | 3T-3434 | 6 | PLUG |
| 2 | 7T-3279 | 1 | HOUSING |
| 3 | 8T-8566 | 1 | TERMINAL |
| 4 | 400570X1 | 4 | NUT (1/2-13) |
| 5 | 7X-0562 | 4 | WASHER-HARD (13.5X19X0.8) |
| 6 | 3T-3422 | 1 | WIRE |
| 7 | 8T-8570 | 1 | HOLDER-BRUSH |
| 8 | 8T-8568 | 1 | COIL-FIELD |
| 9 | 7T-3454 | 1 | INSULATOR |
| 10 | 7T-3271 | 1 | CONNECTOR |
| 11 | 7T-3451 | 1 | INSULATOR-TERMINAL |
| 12 | 8T-8569 | 1 | INSULATOR-TERMINAL |
| 13 | 5S-7349 | 4 | BOLT (1/4-20X0.5 IN) |
| 14 | CH8T-4205 | 4 | WASHER-HARD (7.2X14.5X2MM) |
| 15 | 8H-1141 | 4 | SHOE-POLE |
| 16 | 3F-0379 | 8 | SCREW-POLE SHOE (3/8-24) |
| 17 | 7T-3275 | 1 | ARMATURE |
| 18 | 7T-3973 | 1 | HOUSING-LEVER |
| 19 | 4M-1831 | 1 | PLUG-LEVER HOUSING |
| 20 | 7L-2894 | 1 | GASKET |
| 21 | 036-9823 | 5 | BOLT |
| 22 | 6N-3826 | 1 | DRIVE-MOTOR |
| 23 | 7T-3974 | 1 | HOUSING-DRIVE |
| 24 | 7X-3373 | 6 | BOLT (5/16-18X0.88 IN) |
| 25 | 206-8787 | 1 | KIT-SOLENOID (SERVICED AS COMPLETE KIT ONLY) |
| 26 | 6V-8378 | 3 | NUT (10-32) |
| 27 | 8F-1434 | 2 | LOCKWASHER |
| 28 | 8T-0328 | 3 | WASHER-HARD (5.5X10X1) |
| 29 | 9X-4824 | 1 | COVER-STARTING MOTOR |
| 30 | 8T-9884 | 1 | KIT-INSULATOR (STARTING MOTOR) (SERVICED AS COMPLETE KIT ONLY) (INCLUDES: INSULATORS AND BUSHING) |
| 31 | 8T-9885 | 1 | KIT-BRUSH (INCLUDES: BRUSH, SPRING, (SERVICED AS COMPLETE KIT ONLY) (INCLUDES BRUSHES, SPRINGS, SCREW, SEAL, AND SCREW ASM) |
| 32 | 7T-3268 | 1 | KIT-LEVER (STARTING MOTOR) (SERVICED AS COMPLETE KIT ONLY) (INCLUDES: 2 LEVER ASM, 2 SEALS, NUT, GASKET, AND RETAINER) |
| 33 | 095-7930 | 1 | SCREW-MACHINE |
| 34 | 096-6166 | 1 | WASHER-HARD (4.5X9X1) |
| 35 | 9B-7233 | 1 | LOCKWASHER |
| 36 | 146-3504 | 1 | SWITCH-RELAY (STARTING MOTOR) |
| | 7T-3267 | 1 | KIT-BUSHING (STARTING MOTOR) (NOT SHOWN) |

[A] PART OF 180-2924 STARTING MOTOR GP-ELECTRIC

00867504
PR: t05b22n43d0113

MT800B SERIES TRACTORS
ELECTRICAL & STARTING

STARTING MOTOR GP-ELECTRIC - 502283D1
12 VOLT



**MT800B SERIES TRACTORS
ELECTRICAL & STARTING**

289

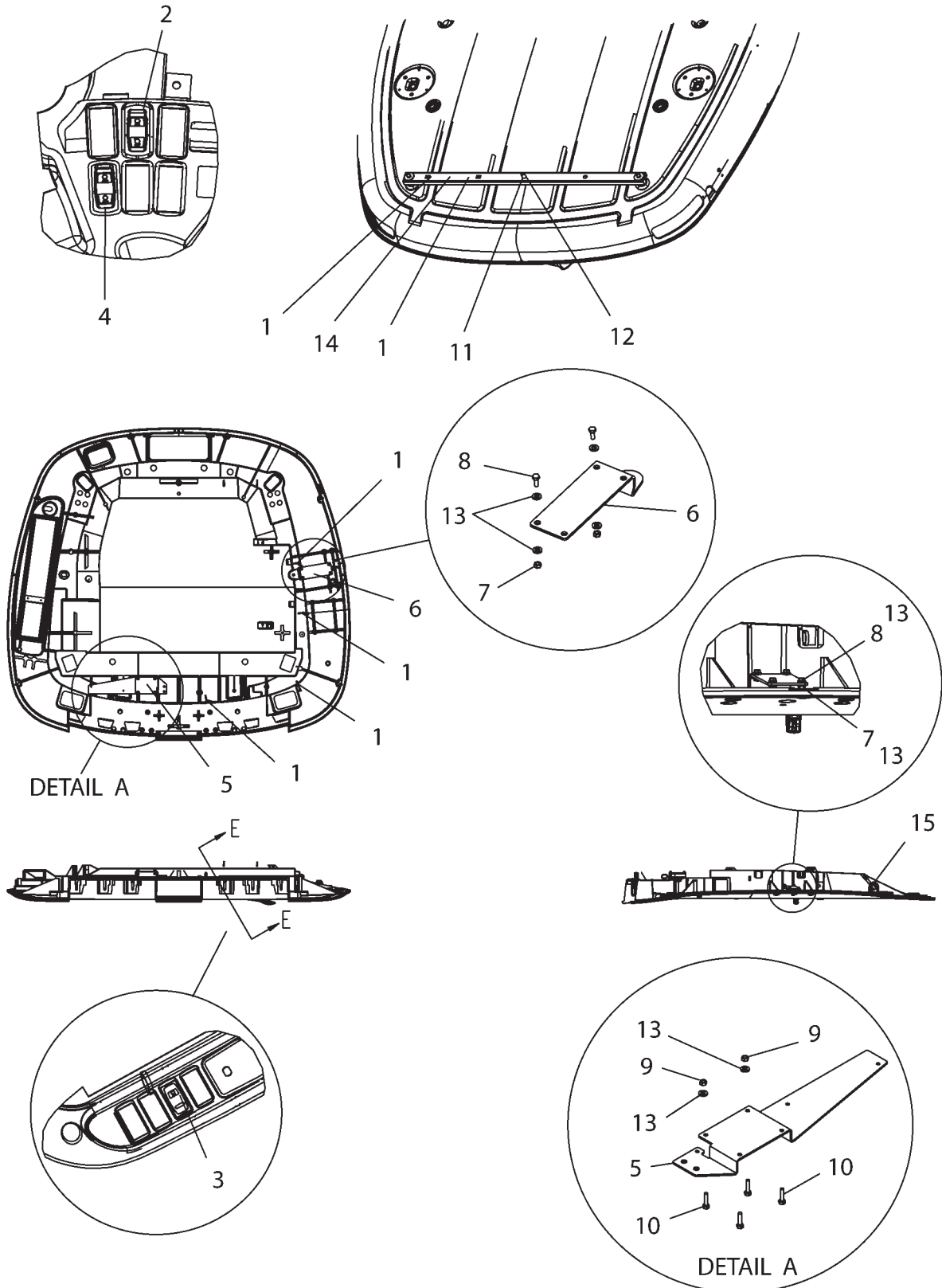
**STARTING MOTOR GP-ELECTRIC - 502283D1
12 VOLT**

| ITEM | NUMBER | QTY | DESCRIPTION |
|------|-----------|-----|--|
| - | 502283D1 | - | STARTING MOTOR GP-ELECTRIC [A] |
| 1 | 3T-3434 | 6 | PLUG |
| 2 | 7T-3279 | 1 | HOUSING |
| 3 | 8T-8566 | 1 | TERMINAL |
| 4 | 400570X1 | 4 | NUT (1/2-13) |
| 5 | 7X-0562 | 4 | WASHER-HARD (13.5X19X0.8) |
| 6 | 3T-3422 | 1 | WIRE |
| 7 | 8T-8570 | 1 | HOLDER-BRUSH |
| 8 | 8T-8568 | 1 | COIL-FIELD |
| 9 | 7T-3454 | 1 | INSULATOR |
| 10 | 7T-3271 | 1 | CONNECTOR |
| 11 | 7T-3451 | 1 | INSULATOR-TERMINAL |
| 12 | 8T-8569 | 1 | INSULATOR-TERMINAL |
| 13 | 5S-7349 | 4 | BOLT (1/4-20X0.5 IN) |
| 14 | CH8T-4205 | 4 | WASHER-HARD (7.2X14.5X2MM) |
| 15 | 8H-1141 | 4 | SHOE-POLE |
| 16 | 3F-0379 | 8 | SCREW-POLE SHOE (3/8-24) |
| 17 | 7T-3275 | 1 | ARMATURE |
| 18 | 3E-7775 | 1 | HOUSING |
| 19 | 4M-1831 | 1 | PLUG-LEVER HOUSING |
| 20 | 7L-2894 | 1 | GASKET |
| 21 | 036-9823 | 5 | BOLT |
| 22 | 6N-3826 | 1 | DRIVE-MOTOR |
| 23 | 7T-3974 | 1 | HOUSING-DRIVE |
| 24 | 7X-3373 | 6 | BOLT (5/16-18X0.88 IN) |
| 25 | 206-8787 | 1 | KIT-SOLENOID (SERVICED AS COMPLETE KIT ONLY) |
| 26 | 6V-8378 | 3 | NUT (10-32) |
| 27 | 8F-1434 | 2 | LOCKWASHER |
| 28 | 8T-0328 | 3 | WASHER-HARD (5.5X10X1) |
| 29 | 9X-4824 | 1 | COVER-STARTING MOTOR |
| 30 | 8T-9884 | 1 | KIT-INSULATOR (STARTING MOTOR) (SERVICED AS COMPLETE KIT ONLY) (INCLUDES: INSULATORS AND BUSHING) |
| 31 | 8T-9885 | 1 | KIT-BRUSH (INCLUDES: BRUSH, SPRING, (SERVICED AS COMPLETE KIT ONLY) (INCLUDES BRUSHES, SPRINGS, SCREW, SEAL, AND SCREW ASM) |
| 32 | 7T-3268 | 1 | KIT-LEVER (STARTING MOTOR) (SERVICED AS COMPLETE KIT ONLY) (INCLUDES: 2 LEVER ASM, 2 SEALS, NUT, GASKET, AND RETAINER) |
| 33 | 095-7930 | 1 | SCREW-MACHINE |
| 34 | 096-6166 | 1 | WASHER-HARD (4.5X9X1) |
| 35 | 9B-7233 | 1 | LOCKWASHER |
| 36 | 146-3504 | 1 | SWITCH-RELAY (STARTING MOTOR) |
| | 7T-3267 | 1 | KIT-BUSHING (STARTING MOTOR) |

[A] PART OF 180-2924 STARTING MOTOR GP-ELECTRIC

00867507
PR: t05b22n43d0114

SWITCH GP-GUIDANCE - 500606D1
AUTOGUIDE SYSTEM



**MT800B SERIES TRACTORS
ELECTRICAL & STARTING**

291

**SWITCH GP-GUIDANCE - 500606D1
AUTOGUIDE SYSTEM**

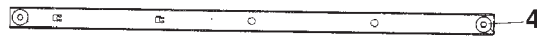
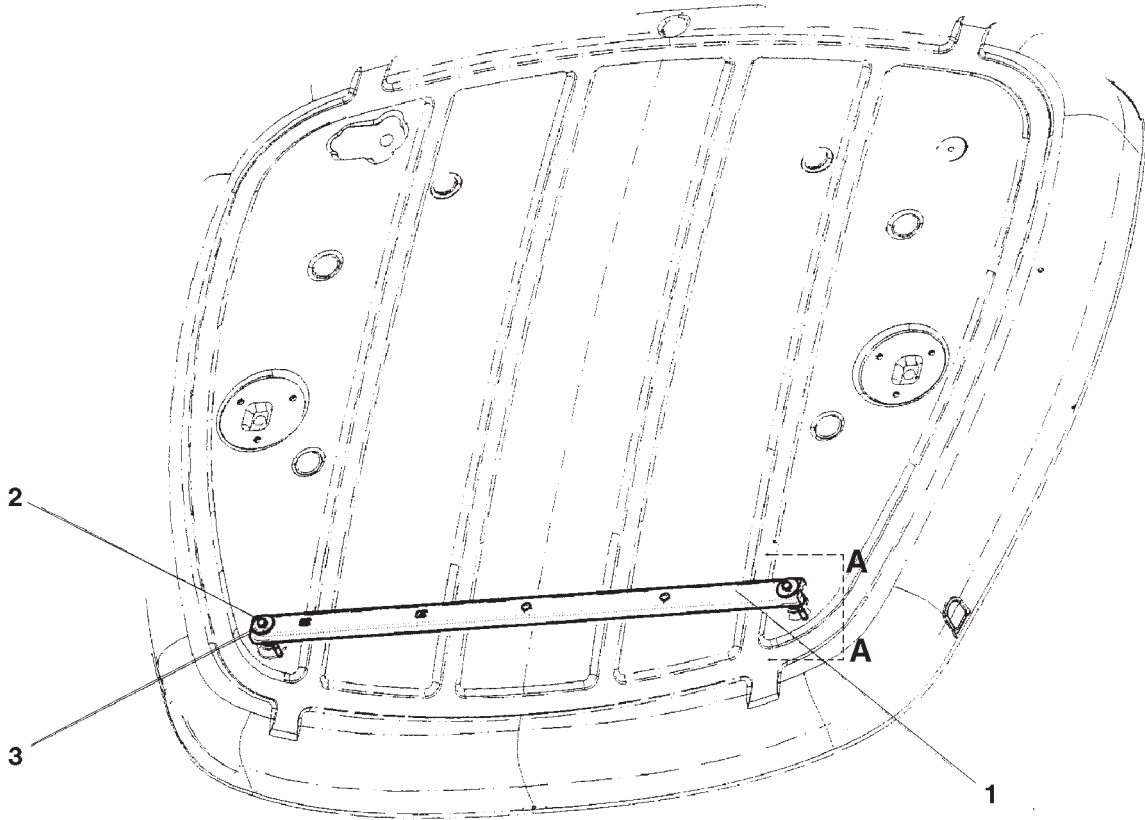
| ITEM | NUMBER | QTY | DESCRIPTION |
|------|------------|-----|--|
| - | 500606D1 | - | SWITCH GP-RECEIVER [A] (NOT SERVICED) |
| 1 | CH7K-1181 | 6 | STRAP-CABLE |
| 2 | 169-8222 | 1 | SWITCH ASM-ROCKER (AUTO GUIDE CONTROL) |
| | 400453X1 | | PLUG-CONNECTOR |
| | CH165-5975 | | PLUG-PANEL (FOR COVERING MTG HOLE) |
| 3 | 500882D1 | 1 | SWITCH ASM-ROCKER (AUTO GUIDE POWER) |
| | 400453X1 | | PLUG-CONNECTOR |
| | CH165-5975 | | PLUG-PANEL (FOR COVERING MTG HOLE) |
| 4 | 200-6376 | 1 | SWITCH ASM-ROCKER (AUTO GUIDE MARKING) |
| | 400453X1 | | PLUG-CONNECTOR |
| | CH165-5975 | | PLUG-PANEL (FOR COVERING MTG HOLE) |
| 5 | 216-8860 | 1 | BRACKET ASM |
| 6 | 219-4775 | 1 | BRACKET ASM |
| 7 | 400300X1 | 4 | NUT (M6X1) |
| 8 | 400152X1 | 4 | BOLT (M6X1X16MM) |
| 9 | CH6V-8225 | 4 | NUT (M6X1) |
| 10 | 400172X1 | 4 | BOLT (M6X1X25MM) |
| 11 | 400179X1 | 1 | BOLT (5/8-11) |
| 12 | CH8T-4122 | 1 | WASHER-HARD |
| 13 | CH8T-4205 | 12 | WASHER-HARD (7.2X14.5X2MM) |
| 14 | 500478D1 | 1 | MOUNTING GP-GPS (SEE BREAKDOWN FOR COMPONENTS) |
| 15 | 500610D1 | 1 | GROMMET-RH (HANDRAIL) (REPLACES PART PROVIDED IN ROOF GP - CAB) |

[A] PART OF 500628D1 CONTROL GP-
COMMUNICATION

500606DC
PR: t05b22n43d0115

MT800B SERIES TRACTORS
ELECTRICAL & STARTING

MOUNTING GP-GPS - 500478D1
AUTOGUIDE SYSTEM



SEE A-A

MT800B SERIES TRACTORS
ELECTRICAL & STARTING

293

MOUNTING GP-GPS - 500478D1
AUTOGUIDE SYSTEM

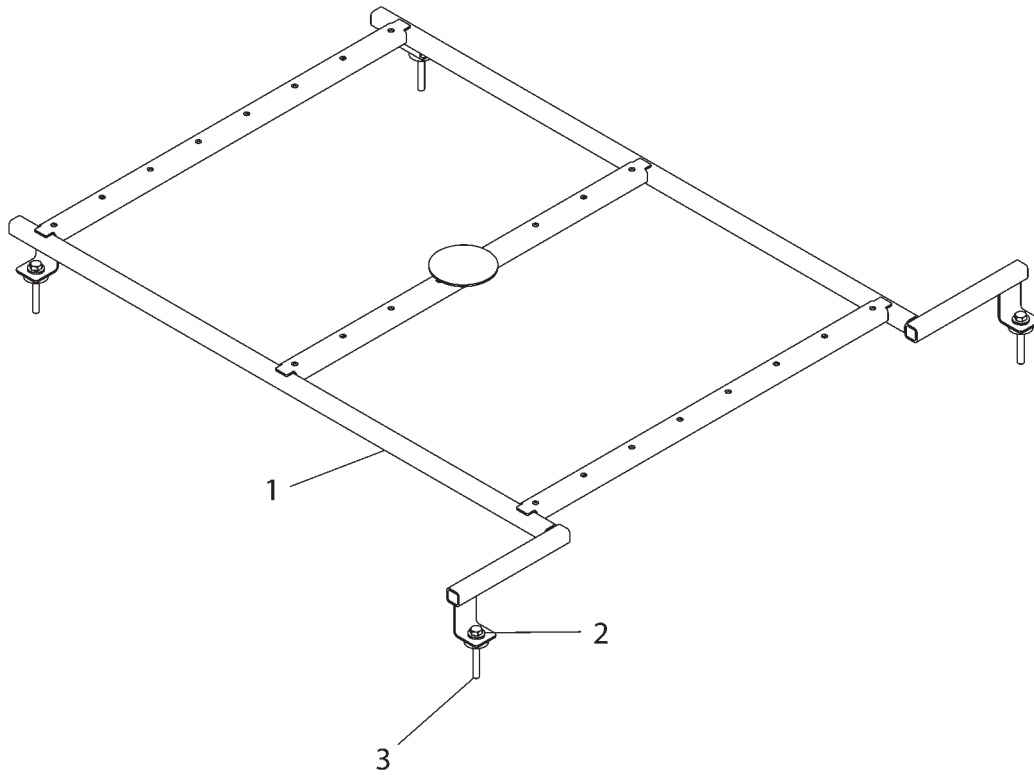
| ITEM | NUMBER | QTY | DESCRIPTION |
|------|-----------|-----|---|
| - | 500478D1 | - | MOUNTING GP [A] (NOT SERVICED) |
| 1 | 500477D1 | | BRACKET ASM (INCLUDES ITEMS 4 AND 5) |
| 2 | 400240X1 | 2 | BOLT (M10X1.5X110) |
| 3 | CH8T-4226 | 2 | WASHER-PLATED |
| 4 | 500475D1 | 2 | SPACER |
| 5 | 500476D1 | 1 | BRACKET |

[A] PART OF 500606D1 SWITCH GP

0890702M
PR: t05b22n43d0116

MT800B SERIES TRACTORS
ELECTRICAL & STARTING

MOUNTING GP-KIT - 187-4896
AUX ANTENNA & NON-AUTOGUIDE GPS RECEIVER



1874896D

MT800B SERIES TRACTORS
ELECTRICAL & STARTING

295

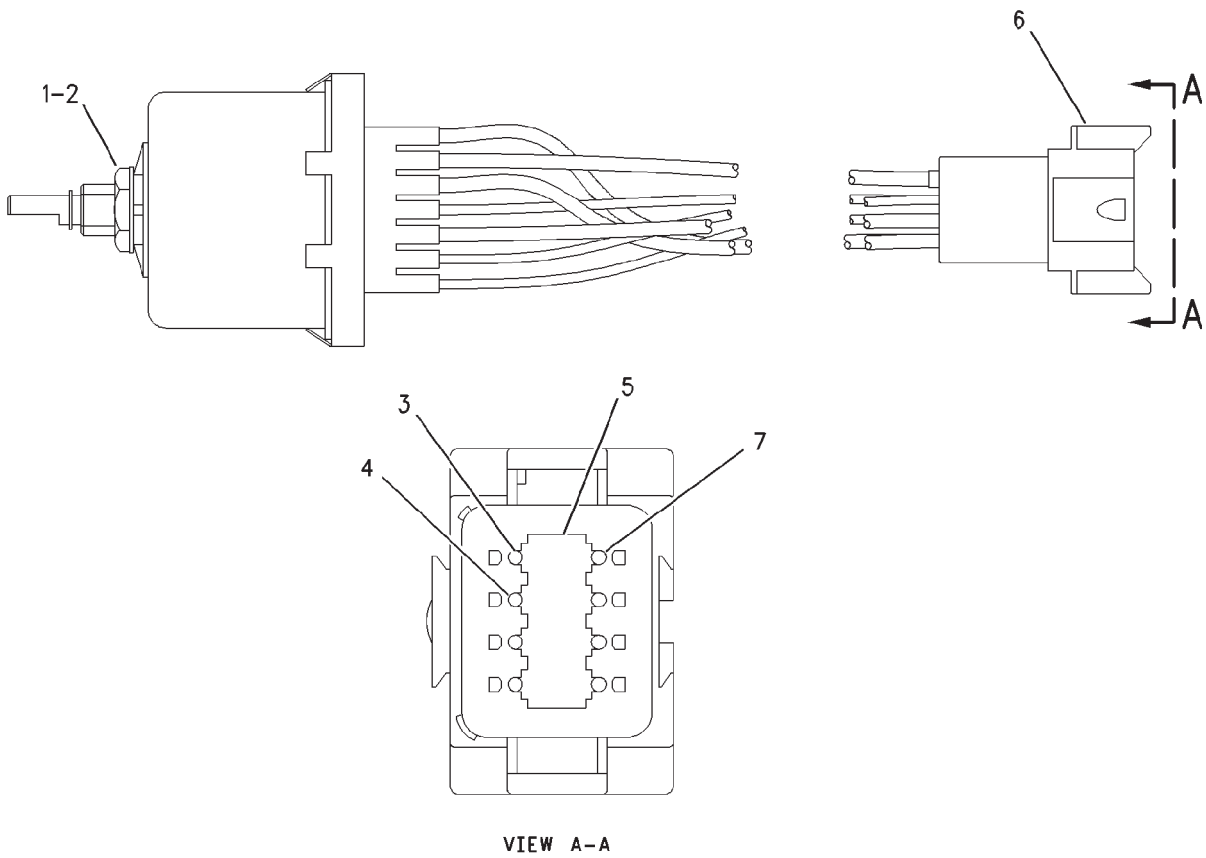
MOUNTING GP-KIT - 187-4896
AUX ANTENNA & NON-AUTOGUIDE GPS RECEIVER

| ITEM | NUMBER | QTY | DESCRIPTION |
|------|-----------|-----|-------------------|
| - | 187-4896 | - | MOUNTING GP (KIT) |
| 1 | 168-2291 | 1 | RACK ASM |
| 2 | CH7X-7729 | 4 | WASHER (11X25X3) |
| 3 | 400044X1 | 4 | BOLT (M10X1.5X80) |

1874896D
PR: t05b22n43d0117

MT800B SERIES TRACTORS
ELECTRICAL & STARTING

SWITCH GP-WIPER - CH135-9967
INTERMITTENT 12 VOLT



MT800B SERIES TRACTORS
ELECTRICAL & STARTING

297

SWITCH GP-WIPER - CH135-9967
INTERMITTENT 12 VOLT

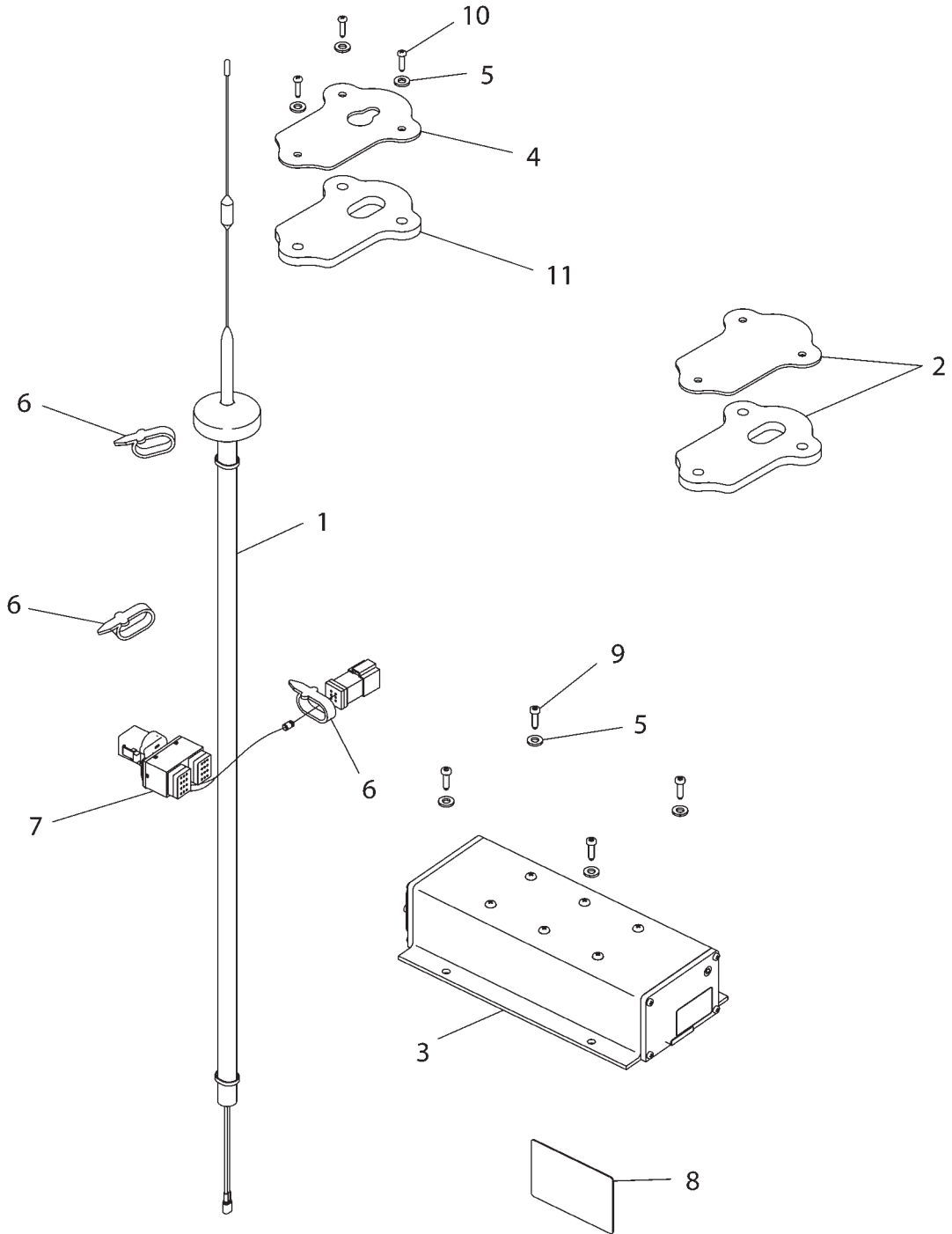
| ITEM | NUMBER | QTY | DESCRIPTION |
|------|------------|-----|--|
| - | CH135-9967 | - | SWITCH AS-WIPER [A] |
| 1 | CH6V-8369 | 1 | NUT (7/16-28) |
| 2 | CH2H-3920 | 1 | LOCKWASHER (11.38MM ID) |
| 3 | CH8T-8737 | 1 | PLUG-SEAL |
| 4 | 400562X1 | 3 | PIN-CONNECTOR |
| 5 | CH3E-3389 | 1 | WEDGE-RECEPTACLE LOCK |
| 6 | CH102-8806 | 1 | KIT-RECEPTACLE (8 PIN) (INCLUDES RECEPTACLE ASM AND WEDGE) (SERVICED AS COMPLETE KIT ONLY) |
| 7 | 400861X1 | 4 | PIN-CONNECTOR |

[A] PART OF 196-3968 WIPER GP-WINDOW

00673034
PR: t05b22n43d0118

MT800B SERIES TRACTORS
ELECTRICAL & STARTING

RECEIVER KIT-TRANSMITTER - 162-4099



MT800B SERIES TRACTORS
ELECTRICAL & STARTING

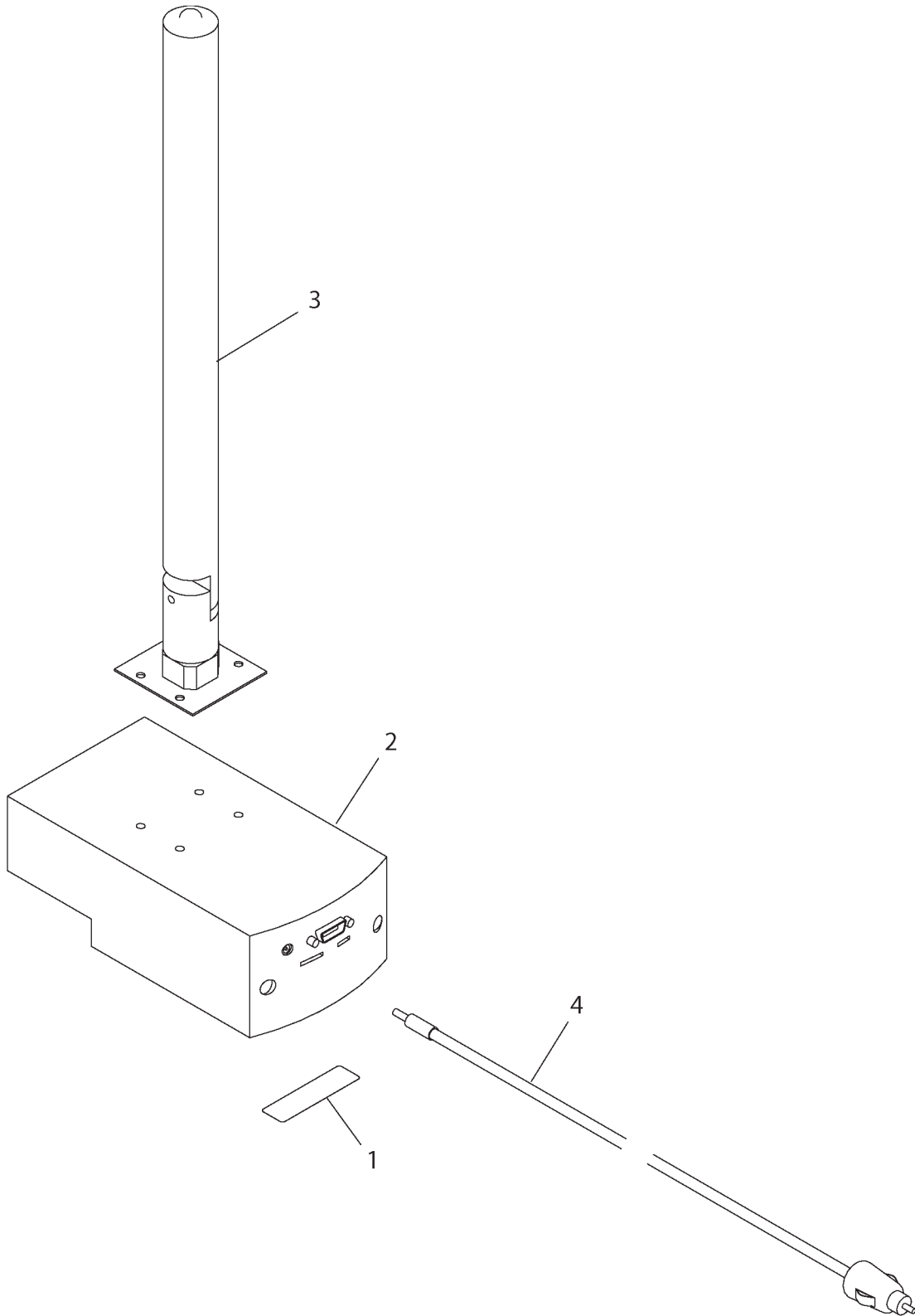
299

RECEIVER KIT-TRANSMITTER - 162-4099

| ITEM | NUMBER | QTY | DESCRIPTION |
|------|------------|-----|--------------------------------|
| | 162-4099 | - | RECEIVER KIT-TRANSMITTER |
| 1 | CH207-6797 | 1 | ANTENNA AS.-ROOF(GPS/VHF |
| 2 | 142-9831 | 1 | COVER KIT-CAB |
| | 500679D1 | 1 | PLATE |
| | 500682D1 | 1 | GASKET-COVER (PL201 ANTENNA) |
| 3 | CH209-6417 | 1 | CONTROL GP-ELECTRONIC |
| 4 | 500680D1 | 1 | BRACKET |
| 5 | CH8T-4205 | 7 | WASHER-HARD 7.2IDX14.5ODX2MM |
| 6 | 400837X1 | 4 | STRAP-CABLE (PLASTIC) |
| 7 | 502176D1 | 1 | HARNESS AS. |
| 8 | CH185-7141 | 1 | FILM-WARN (LINK RADIO) |
| 9 | CH110-2028 | 4 | SCREW-NO10-14X19MM PAN,THD CTG |
| 10 | CH8T-9501 | 3 | SCREW-10-16X19.05 PAN,THD FMG |
| 11 | 500682D1 | 1 | GASKET-COVER (PL201 ANTENNA) |

1624099J
PR: t05b22n43d0119

MOUNTING GP-PDA - 501168D1
AUTOGUIDE SYSTEM



501168DA

MT800B SERIES TRACTORS
ELECTRICAL & STARTING

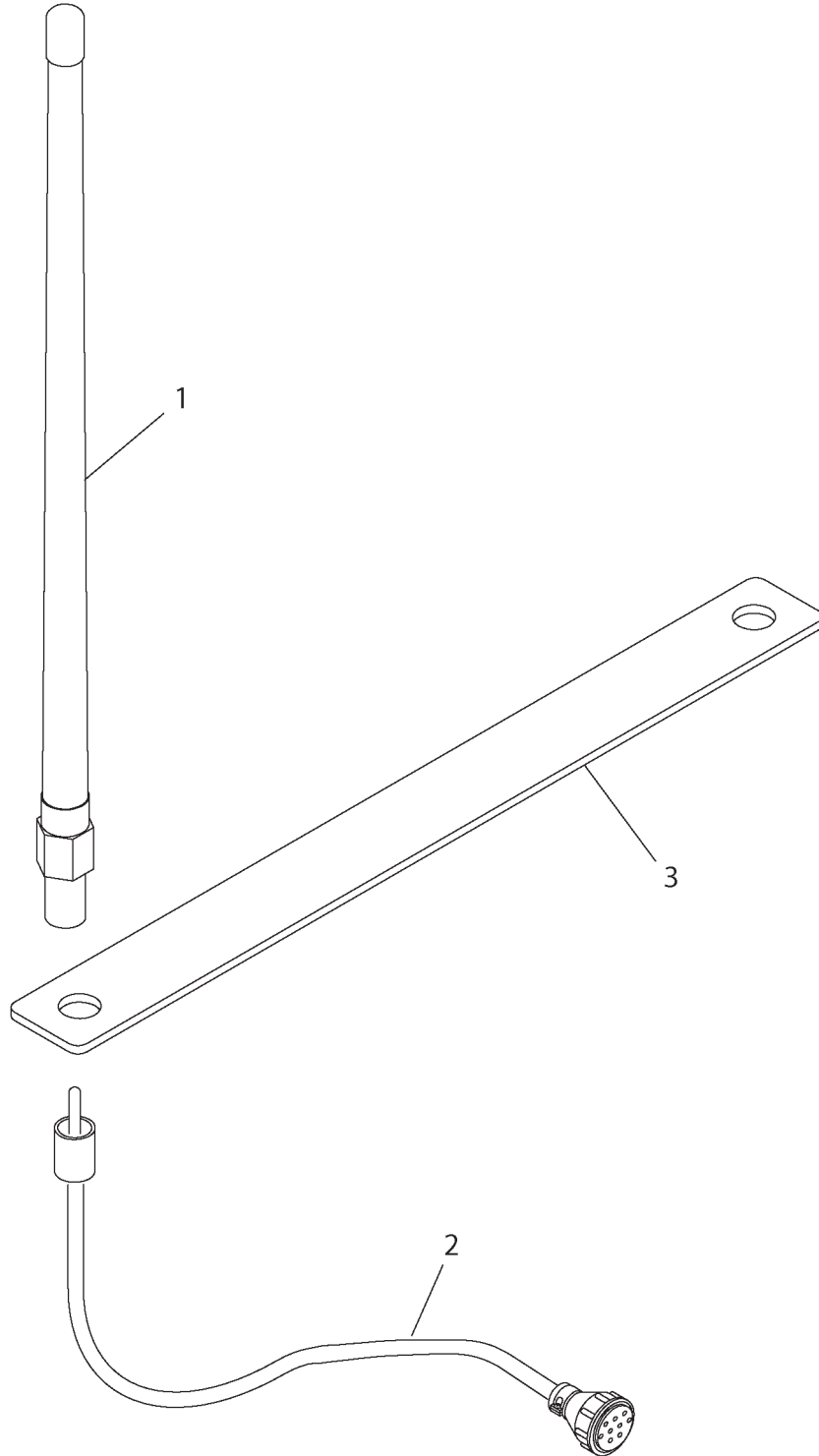
301

MOUNTING GP-PDA - 501168D1
AUTOGUIDE SYSTEM

| ITEM | NUMBER | QTY | DESCRIPTION |
|------|----------|-----|--------------------|
| - | 501168D1 | - | MOUNTING GP-PDA |
| 1 | 500367D1 | 1 | FILM-AUTOGUIDE |
| 2 | 501169D1 | 1 | CRADLE GP |
| 3 | 501170D1 | 1 | ARM |
| 4 | 501171D1 | 1 | CABLE-ADAPTOR PLUG |

501168DA
PR: t05k07n15a0007

KIT-GPS BASE STATION - 502609D1



MT800B SERIES TRACTORS
ELECTRICAL & STARTING

303

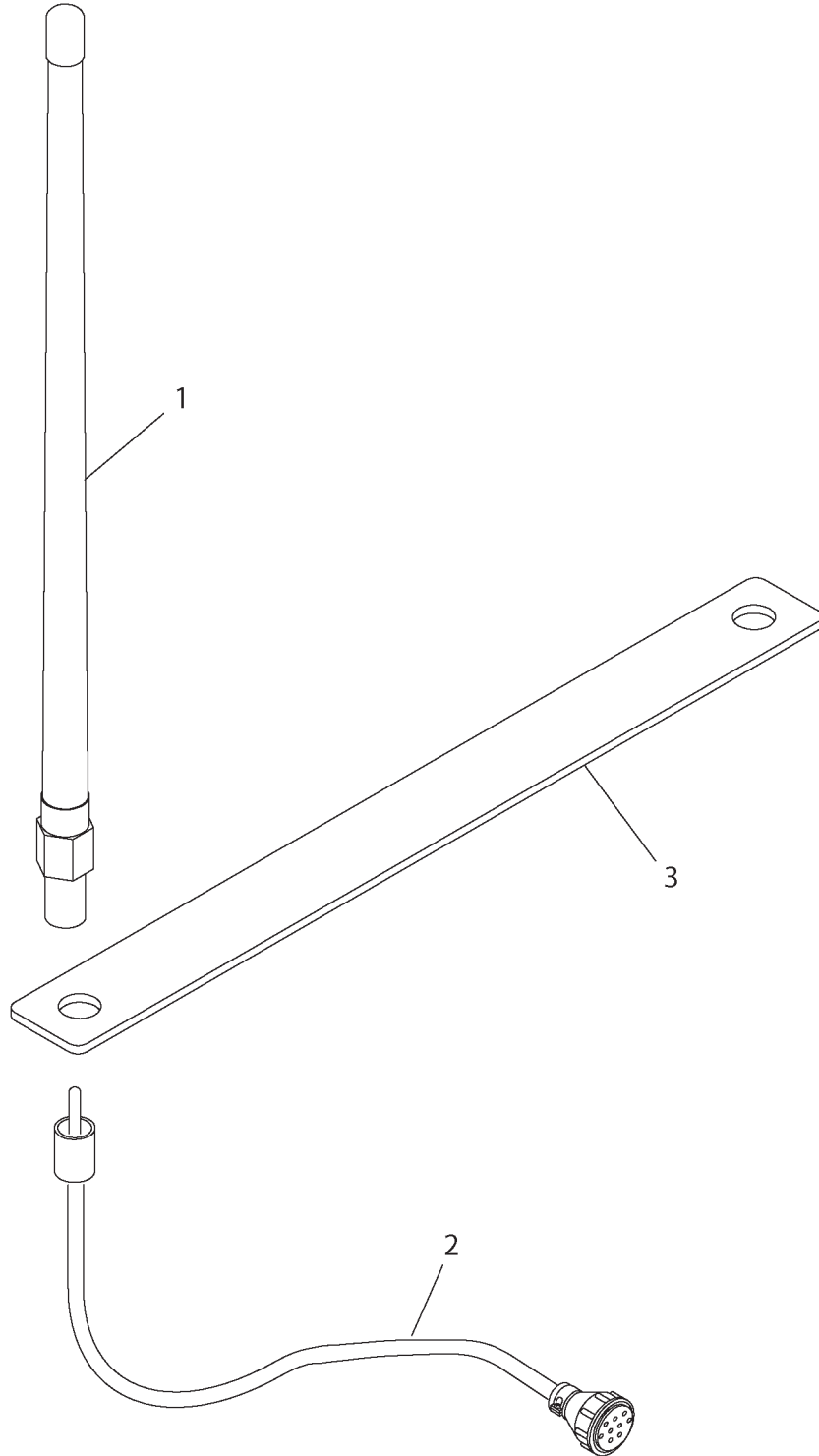
KIT-GPS BASE STATION - 502609D1

| ITEM | NUMBER | QTY | DESCRIPTION |
|------|----------|-----|---|
| - | 502609D1 | - | KIT-GPS BASE STATION |
| 1 | 501073D1 | 1 | ANTENNA AS-DATA RADIO |
| 2 | 501074D1 | 1 | CABLE AS |
| 3 | 501075D1 | 1 | BRACKET |
| 4 | 72571006 | 1 | SOFTWARE (NOT SHOWN) (ORDER FROM AGCO DEALER INFO NET) |
| 5 | 502610D1 | 1 | RECEIVER GP-GPS BASE STATION (NOT SHOWN) |
| 6 | 502611D1 | 1 | HARNESS AS-GPS BASE PWR (NOT SHOWN) |
| 7 | 502612D1 | 1 | CASE AS-GPS BASE (NOT SHOWN) |
| - | 232-0879 | 1 | TRIPOD AS (NOT PART OF KIT) (SERVICED AS COMPLETE AS) |

501124DA
PR: t05k07n15a0008

MT800B SERIES TRACTORS
ELECTRICAL & STARTING

ANTENNA GP-DATA RADIO - 501124D1
GPS BASE STATION



MT800B SERIES TRACTORS
ELECTRICAL & STARTING

305

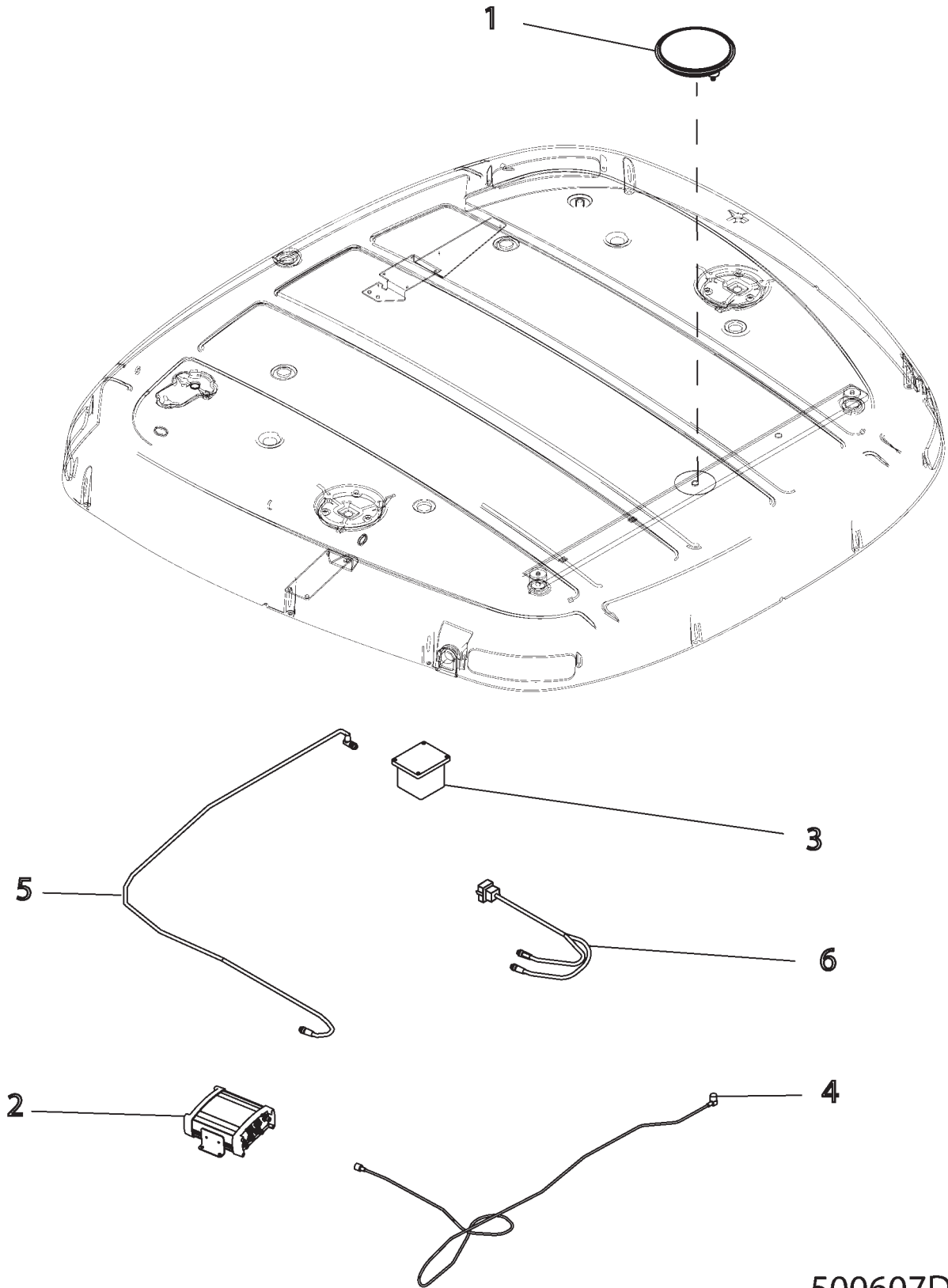
ANTENNA GP-DATA RADIO - 501124D1
GPS BASE STATION

| ITEM | NUMBER | QTY | DESCRIPTION |
|------|----------|-----|-----------------------|
| - | 501124D1 | - | ANTENNA GP-DATA RADIO |
| 1 | 501073D1 | 1 | ANTENNA AS-DATA RADIO |
| 2 | 501074D1 | 1 | CABLE AS |
| 3 | 501075D1 | 1 | BRACKET |

501124DA
PR: t05k07n15a0009

MT800B SERIES TRACTORS
ELECTRICAL & STARTING

RECEIVER GP-TRANSMITTER & GPS - 500607D1
AUTOGUIDE CONTROL



MT800B SERIES TRACTORS
ELECTRICAL & STARTING

307

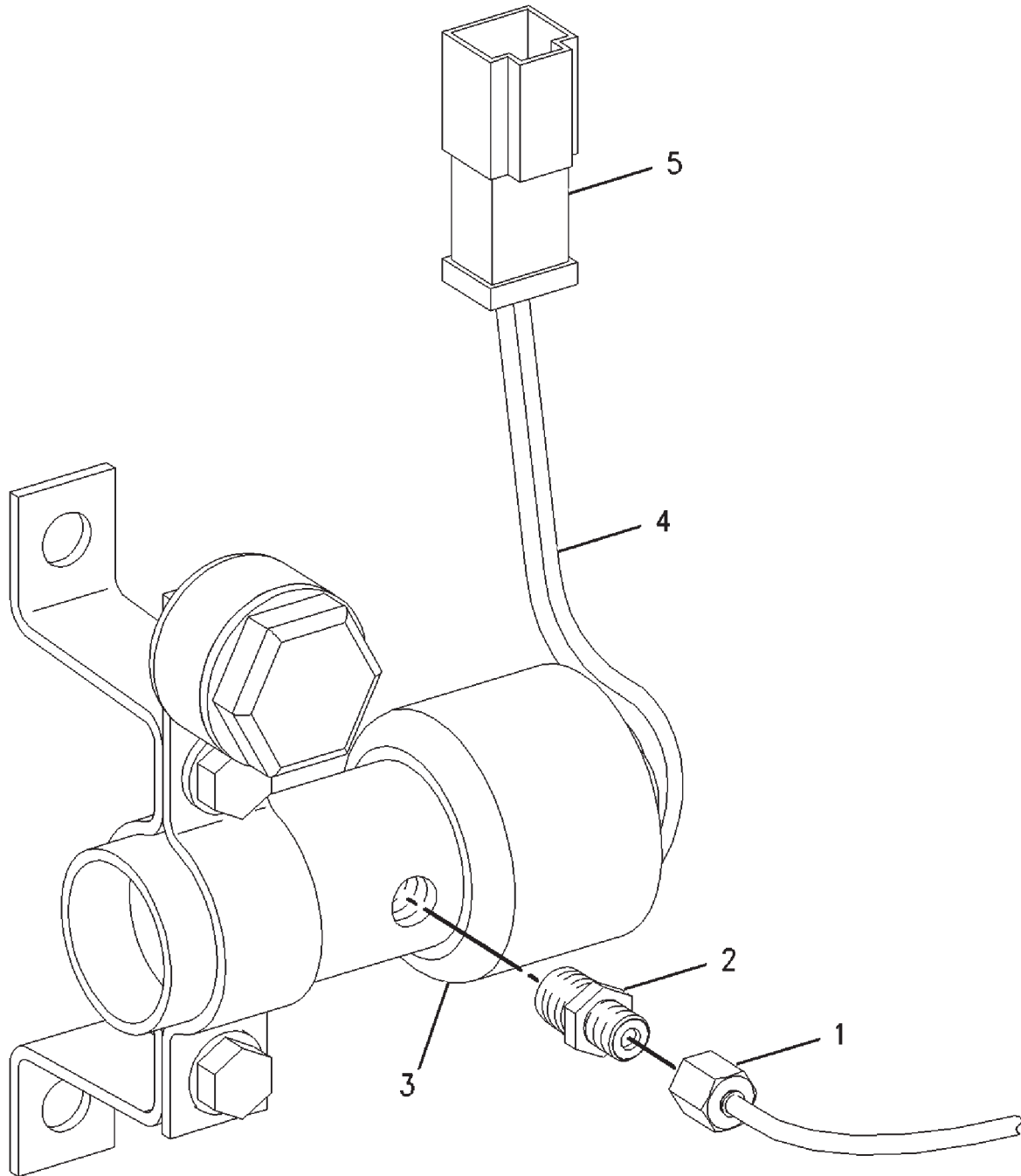
RECEIVER GP-TRANSMITTER & GPS - 500607D1
AUTOGUIDE CONTROL

| ITEM | NUMBER | QTY | DESCRIPTION |
|------|----------|-----|--|
| - | 500607D1 | - | RECEIVER GP-TRANSMITTER GPS [A] |
| 1 | 216-7835 | 1 | MOUNT (ANTENNA) |
| 2 | 216-7837 | 1 | RECEIVER MODULE |
| 3 | 502570D1 | 1 | SENSOR GP-DMU |
| 4 | 216-7836 | 1 | CABLE (ANTENNA) |
| 5 | 216-7839 | 1 | HARNESS (SENSOR GP-POSITION) |
| 6 | 216-7841 | 1 | HARNESS (RECEIVER-GPS) |
| 7 | 502572D1 | 1 | SOFTWARE (NOT SHOWN) (ORDER FROM WWW.CHALLENGERMARKETPLACE.COM) |

[A] PART OF 500628D1 & 500630D1
CONTROL AR-AUTOGUIDE

500607DD
PR: t05b22n43d0120

VALVE GP-ETHER - 501967D1



MT800B SERIES TRACTORS
ELECTRICAL & STARTING

309

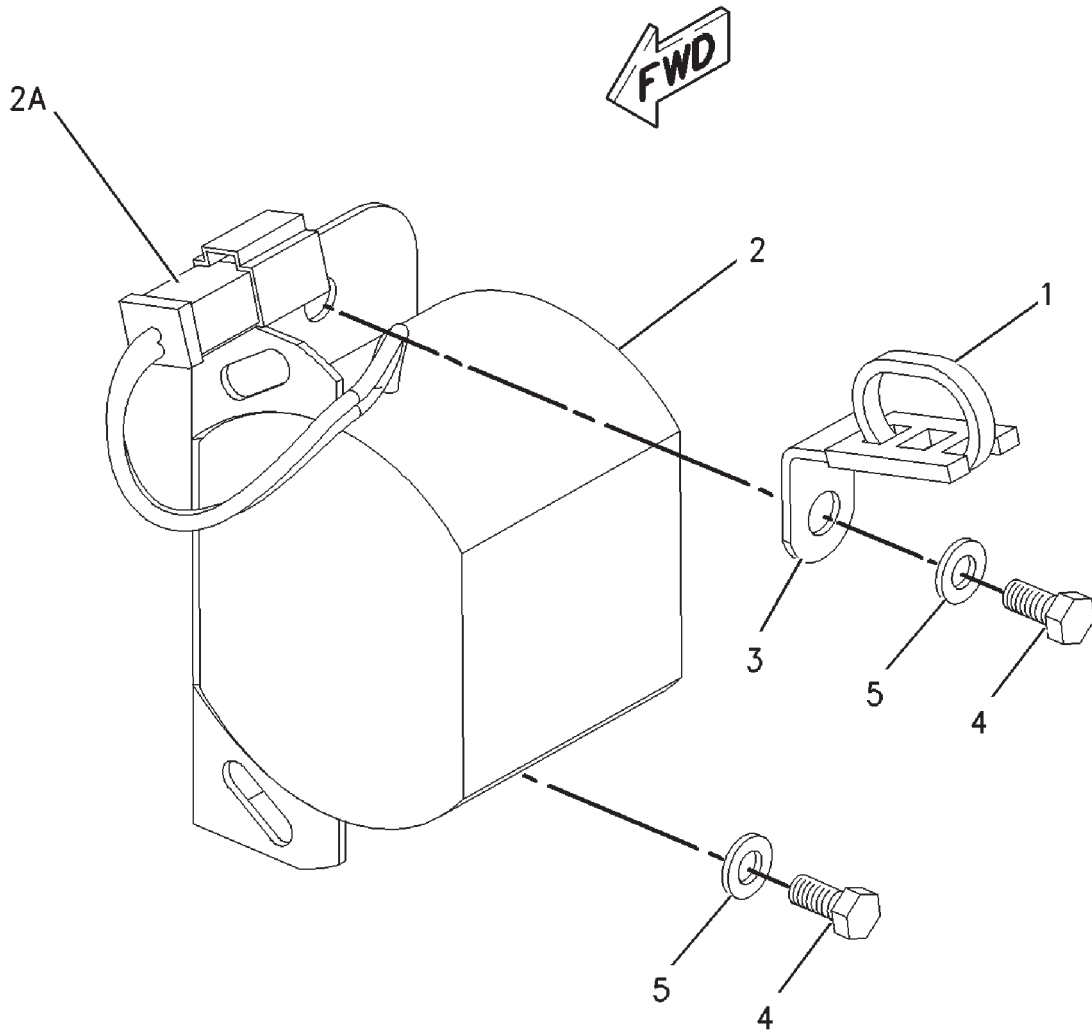
VALVE GP-ETHER - 501967D1

| ITEM | NUMBER | QTY | DESCRIPTION |
|------|------------|-----|-----------------------------------|
| - | 501967D1 | - | VALVE GP-ETHER [A] (NOT SERVICED) |
| 1 | 210-8519 | 1 | NUT |
| 2 | 502000D1 | 1 | FITTING |
| 3 | 501999D1 | 1 | VALVE AS-ETHER |
| 4 | 210-3933 | | TUBE (cm) |
| 5 | CH102-8802 | 1 | KIT-RECEPTACLE (2 PIN) |

[A] PART OF 501572D1 STARTING AID
GP-EITHER

00878638
PR: t05b22n43d0121

WARNING GP-BACKUP - 195-5968



MT800B SERIES TRACTORS
ELECTRICAL & STARTING

311

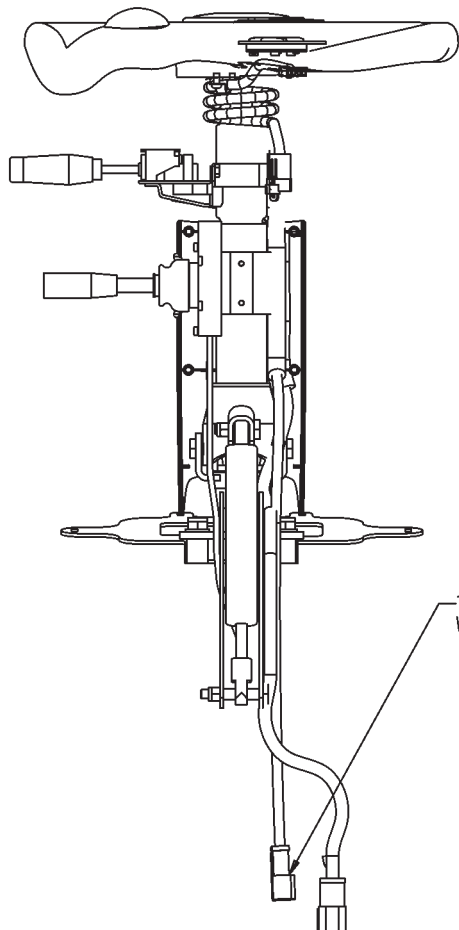
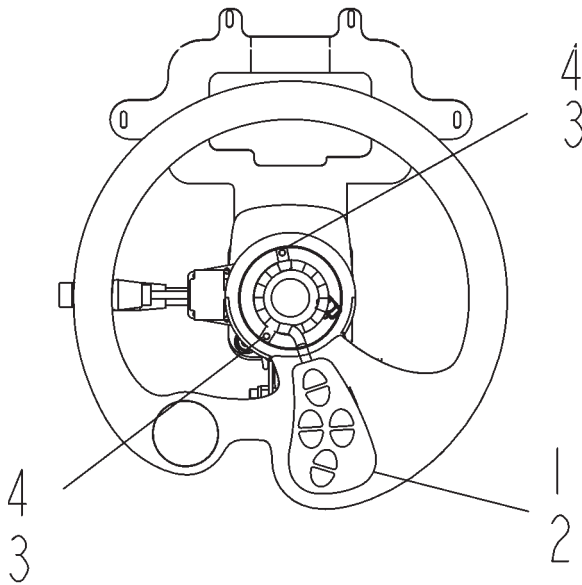
WARNING GP-BACKUP - 195-5968

| ITEM | NUMBER | QTY | DESCRIPTION |
|------|------------|-----|--|
| - | 195-5968 | - | WARNING GP-BACKUP [A] (NOT SERVICED, ORDER FIELD INSTALLED) |
| - | 502759D1 | - | WARNING GP-BACKUP (FIELD INSTALLED) |
| 1 | CH7K-1181 | 1 | STRAP-CABLE |
| 2 | CH154-5428 | 1 | ALARM-BACK UP |
| 2A | CH102-8802 | 1 | KIT-RECEPTACLE (2 PIN) (INCLUDES RECEPTACLE ASM AND WEDGE) (SERVICED AS COMPLETE KIT ONLY) |
| 3 | CH156-6175 | 1 | CLIP |
| 4 | 400152X1 | 2 | BOLT (M6X1X16MM) |
| 5 | CH5P-4115 | 2 | WASHER-HARD (7.2X19X2) |

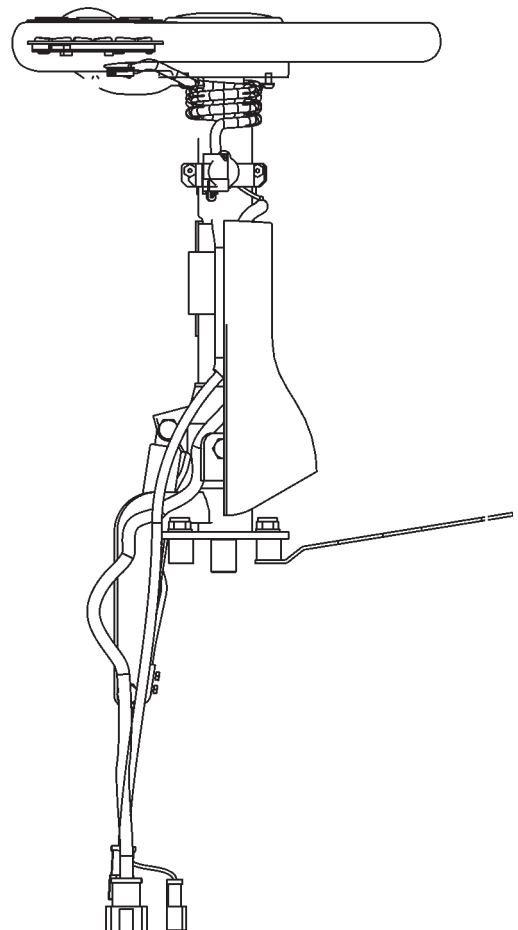
[A] PART OF 502759D1;502770D1 WARNING GP

00743485
PR: t05b22n43d0122

WIRING GP REMOTE CONTROL - 173-6505



TO CAB MAIN HARNESS
WIRE NO. 614 PURPLE



MT800B SERIES TRACTORS
ELECTRICAL & STARTING

313

WIRING GP REMOTE CONTROL - 173-6505

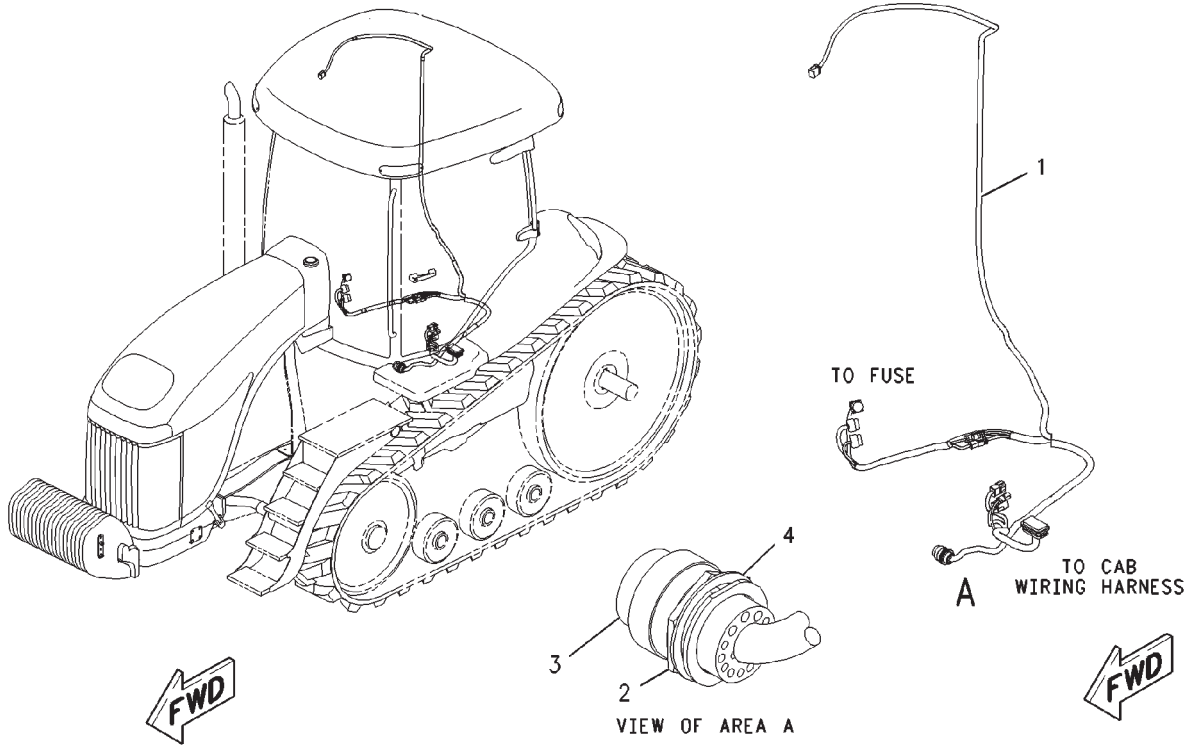
| ITEM | NUMBER | QTY | DESCRIPTION |
|------|------------|-----|--|
| - | 173-6505 | - | WIRING GP [A] (NOT SERVICED) |
| 1 | 502244D1 | 1 | HARNESS-RADIO (REMOTE CONTROL) |
| 2 | 172-8035 | 1 | SWITCH (STEERING WHEEL RADIO CONTROLS) |
| 3 | CH208-9482 | 2 | CLIP |
| 4 | CH095-0736 | 2 | SCREW-MACHINE (M5X0.8X10MM) |

[A] STEERING WHEEL MOUNTED RADIO
CONTROLS

1736505E
PR: t05b22n43d0123

MT800B SERIES TRACTORS
ELECTRICAL & STARTING

WIRING GP - 214-3504
AUTOGUIDE ISO COMPATIBLE



MT800B SERIES TRACTORS
ELECTRICAL & STARTING

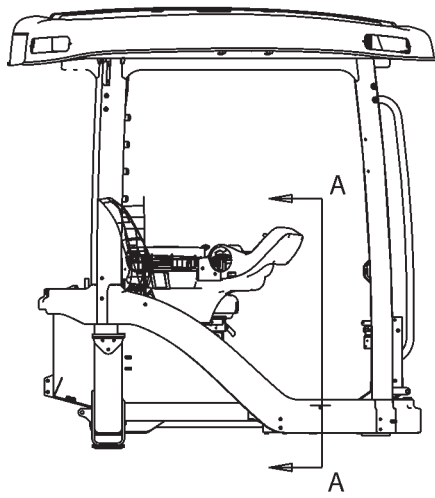
315

WIRING GP - 214-3504
AUTOGUIDE ISO COMPATIBLE

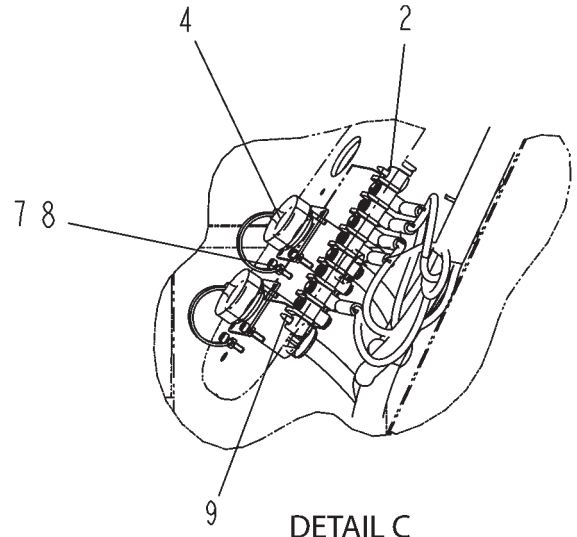
| ITEM | NUMBER | QTY | DESCRIPTION |
|------|------------|-----|--------------------------|
| - | 214-3504 | - | WIRING GP (NOT SERVICED) |
| 1 | 500910D1 | 1 | HARNESS ASM (ISO) |
| 2 | 180-9214 | 1 | NUT (11/16-18) |
| 3 | 219-0664 | 1 | CAP |
| 4 | CH128-4249 | 1 | LOCKWASHER |

00895779
PR: t05b22n43d0124

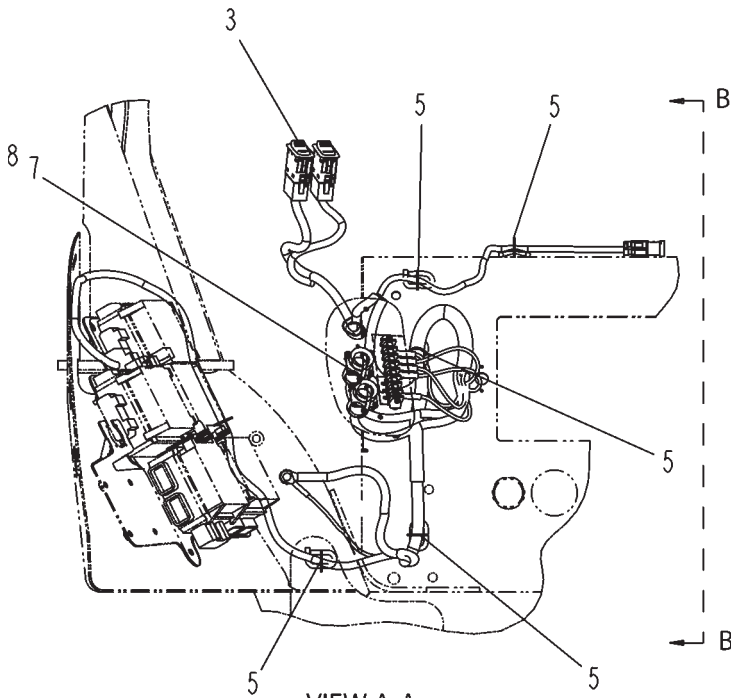
WIRING GP-AUXILIARY - 162-4097



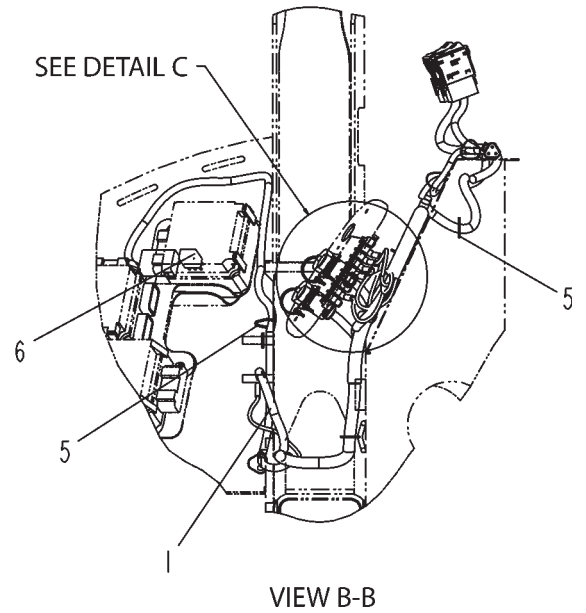
RIGHT SIDE VIEW OF CAB



DETAIL C



VIEW A-A
(SEAT NOT SHOWN)



VIEW B-B

MT800B SERIES TRACTORS
ELECTRICAL & STARTING

317

WIRING GP-AUXILIARY - 162-4097

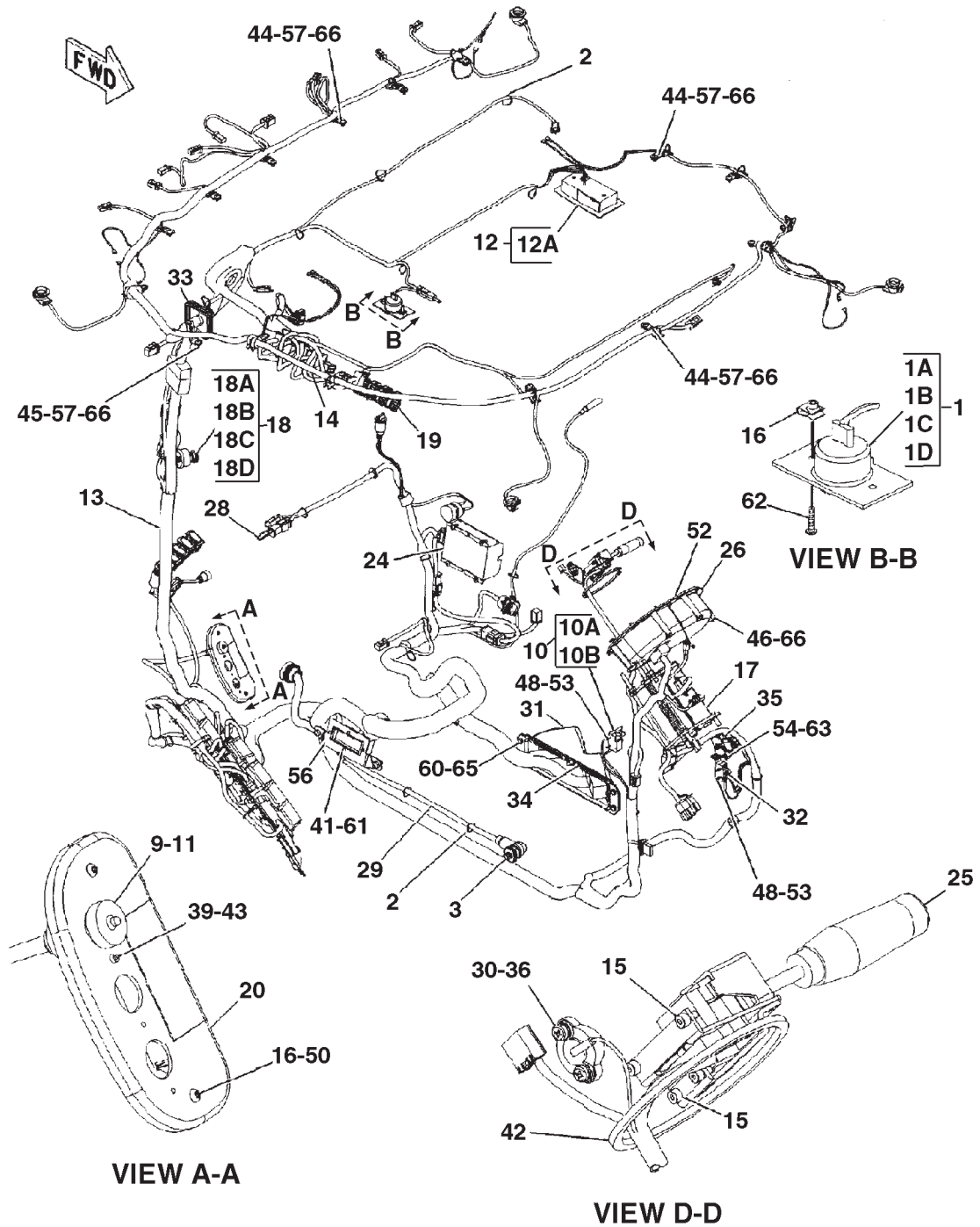
| ITEM | NUMBER | QTY | DESCRIPTION |
|------|------------|-----|--|
| - | 162-4097 | - | WIRING GP-AUXILIARY [A] (NOT SERVICED) |
| 1 | 502180D1 | 1 | HARNESS ASM (AUXILIARY POWER) |
| 2 | CH136-5268 | 1 | STRIP |
| 3 | 169-8229 | 2 | SWITCH-ROCKER (AUXILIARY POWER) |
| 4 | CH124-4653 | 2 | CAP |
| 5 | 400837X1 | 7 | STRAP-CABLE |
| 6 | CH146-9439 | 1 | RELAY(12V)(AUXILIARY POWER SWITCHES) |
| 7 | 400006X1 | 6 | BOLT-SOCKET HEAD (M3X0.5X12MM) |
| 8 | CH3C-6969 | 6 | NUT (M3X0.5) |
| 9 | CH119-5026 | 2 | SCREW-PAN HEAD (10-16X0.63 IN) |

[A] PART OF 152-0012; 222-4146;
502667D1 CAB AR;
502795D1 WIRING GP-CONSOLE

1624097F
PR: t05b22n43d0125

MT800B SERIES TRACTORS
ELECTRICAL & STARTING

WIRING GP-CAB - 152-0420A
ROW & SPECIAL APPLICATIONS



**MT800B SERIES TRACTORS
ELECTRICAL & STARTING**

319

**WIRING GP-CAB - 152-0420A
ROW & SPECIAL APPLICATIONS**

| ITEM | NUMBER | QTY | DESCRIPTION |
|------|------------|-----|--|
| - | 152-0420 | - | WIRING GP-CAB [A] (NOT SERVICED) |
| 1 | 501935D1 | 1 | LAMP ASM-IMPLEMENT CONTROL (12 VOLT) (SEE BREAKDOWN FOR COMPONENTS) |
| 2 | 400837X1 | 62 | STRAP-CABLE |
| 3 | CH3T-8607 | 1 | TERMINAL ASM |
| | 6F-7044 | 2 | NUT-FULL (1/2-20) |
| | 9B-0453 | 2 | LOCKWASHER |
| 9 | CH124-4653 | 1 | CAP |
| 10 | CH129-6457 | 1 | SWITCH ASM-LIMIT (BRAKE LIGHT) |
| 10A | CH6V-8376 | 3 | SCREW-MACHINE (8-32X0.25 IN) |
| 10B | CH9B-7233 | 3 | LOCKWASHER |
| 11 | 135-4483 | 4 | RETAINER |
| 12 | CH136-5511 | 1 | LAMP ASM-DOME |
| 12A | CH9W-3326 | 1 | LAMP (12 VOLT) (DOME LIGHT) |
| 13 | 136-5530 | 1 | HARNESS ASM (CAB MAIN) |
| 14 | 501949D1 | 1 | HARNESS ASM (ROOF) |
| 15 | 216-8277 | 4 | BOLT-SOCKET HEAD |
| 16 | 154-8079 | 4 | NUT (U-TYPE RETAINER) |
| 17 | 217-9779 | 1 | CONTROL GP-STEERING (NOT SERVICED) (SEE BREAKDOWN FOR COMPONENTS) |
| 18 | CH163-2657 | 1 | SWITCH GP-START [B] (FOR SERVICE REPAIR ORDER 18A THRU 18D) |
| 18A | 400781X1 | 1 | WEDGE-RECEPTACLE LOCK |
| 18B | CH7T-6799 | 1 | NUT-MOUNTING (1-32) |
| 18C | 400562X1 | 2 | PIN-CONNECTOR |
| 18D | 400708X1 | 1 | KIT-RECEPTACLE (4 PIN) (INCLUDES RECEPTACLE AS WEDGE) |
| - | CH5P-8500 | 1 | KEY IGNITION |
| 19 | CH165-5975 | 10 | PLUG-PANEL |
| 20 | 169-6367 | 1 | PANEL ASM (SERVICE COMPLETE) |
| 24 | CH170-1198 | 1 | MODULE-FLASHER |
| 25 | 170-2204 | 1 | SWITCH ASM (HIGH/LOW BEAM,ROADING,TURN) |
| 26 | CH212-6998 | 1 | MODULE GP-DISPLAY (DASH) |

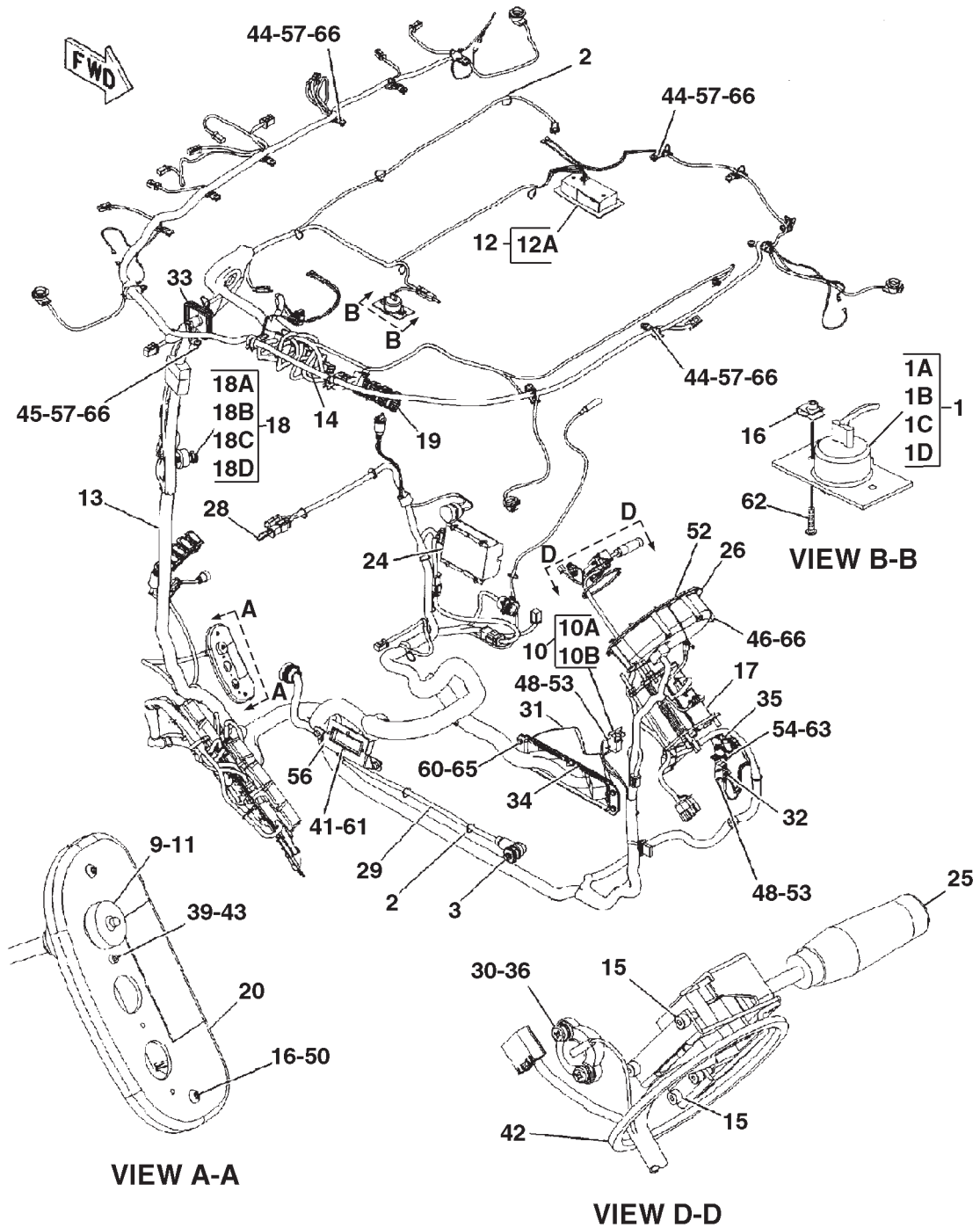
CONTINUED

[A] PART OF 152-0012;152-0013;222-4146
CAB AR
[B] REQUIRES CH5P-8500 KEY

0898288A
PR: t05b22n43d0126

MT800B SERIES TRACTORS
ELECTRICAL & STARTING

WIRING GP-CAB - 152-0420A
ROW & SPECIAL APPLICATIONS



**MT800B SERIES TRACTORS
ELECTRICAL & STARTING**

321

**WIRING GP-CAB - 152-0420A
ROW & SPECIAL APPLICATIONS**

| ITEM | NUMBER | QTY | DESCRIPTION |
|------|------------|-----|--|
| - | 152-0420 | - | WIRING GP-CAB [A] (NOT SERVICED) |
| 28 | 173-7708 | 1 | HARNESS AS-TRAILER |
| 29 | 502188D1 | 1 | CABLE (CAB POWER) |
| 30 | CH8C-8514 | 2 | SCREW-MACHINE (8-32X.375 IN) |
| 31 | 177-0381 | 1 | HOUSING |
| 32 | CH129-6457 | 1 | SWITCH ASM-LIMIT (INCHING PEDAL) |
| 32A | CH6V-8376 | 3 | SCREW-MACHINE (8-32X0.25 IN) |
| 32B | CH9B-7233 | 3 | LOCKWASHER |
| 33 | 178-7957 | 1 | GROMMET |
| 34 | 180-5244 | 1 | SEAL-CONNECTOR |
| 35 | 500317D1 | 1 | SENSOR GP-POSITION (INCHING PEDAL) |
| 36 | CH096-6166 | 10 | WASHER-HARD (4.5X9X1) |
| 39 | 153-9300 | 1 | BOLT-SOCKET HEAD (M3X0.5X12MM) |
| 41 | CH3B-4501 | 12 | LOCKWASHER |
| 42 | CH7K-1181 | 1 | STRAP-CABLE |
| 43 | CH3C-6969 | 5 | NUT (M3X0.5) |
| 44 | CH4P-7581 | 15 | CLIP |
| 45 | CH4P-8134 | 2 | CLIP |
| 46 | CH5C-2874 | 4 | NUT (M5X.8) |
| 48 | CH216-9085 | 4 | SCREW-PAN HEAD |
| 50 | CH7Y-7256 | 2 | SCREW-TRUSS HEAD (M4X0.7X35MM) |
| 52 | CH8T-0337 | 6 | SCREW-MACHINE (M4X0.7X12MM) |
| 53 | CH8T-2658 | 4 | LOCKNUT (M3X0.5) |
| 54 | CH8T-2659 | 2 | LOCKNUT (M4X0.7) |
| 56 | 177-0385 | 1 | PLATE ASM |
| | CH8T-3612 | 2 | NUT-WELD (M8X1.25) |
| 57 | CH110-2028 | 17 | SCREW-PAN HEAD (10-14X.75 IN) (10-14X.75IN) |
| 60 | CH8T-4205 | 7 | WASHER-HARD (7.2X14.5X2MM) |
| 61 | 400251X1 | 12 | BOLT-SOCKET HEAD (M4X0.7X16MM) |
| 62 | CH123-0707 | 2 | SCREW-HEX SOCKET (M4X0.7X20MM) |
| 63 | CH9X-1046 | 2 | SCREW (M4X0.7X18MM) |
| 65 | CH9X-2044 | 7 | SCREW-TRUSS HEAD (M6X1X16MM) |
| 66 | 400076X1 | 25 | WASHER (5X16X1.2) |

[A] PART OF 152-0012;152-0013;222-4146

CAB AR

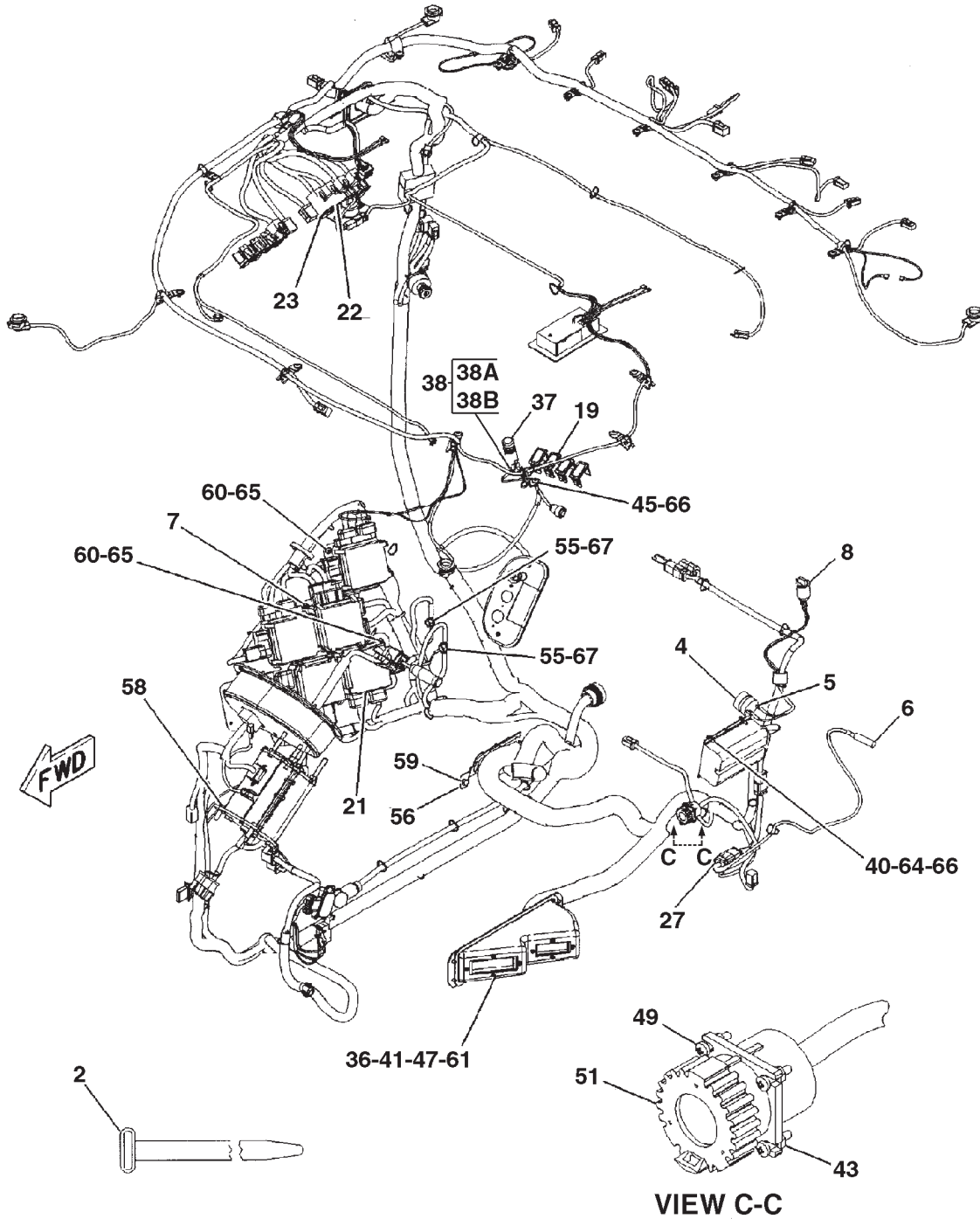
[B] REQUIRES CH5P-8500 KEY

0898288A

PR: t05b22n43d0126

MT800B SERIES TRACTORS
ELECTRICAL & STARTING

WIRING GP-CAB - 152-0420B



**MT800B SERIES TRACTORS
ELECTRICAL & STARTING**

323

WIRING GP-CAB - 152-0420B

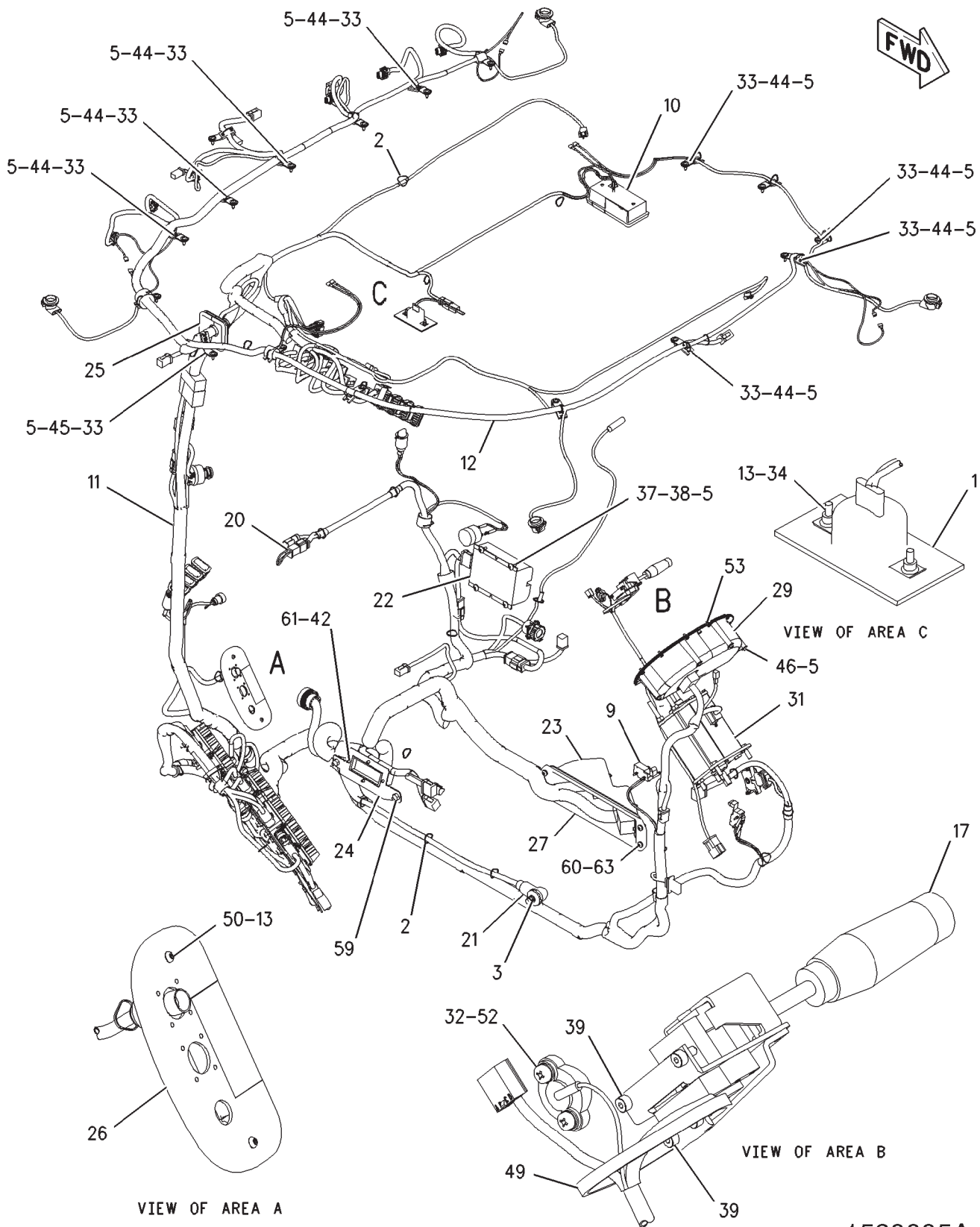
| ITEM | NUMBER | QTY | DESCRIPTION |
|------|------------|-----|--|
| - | 152-0420 | - | WIRING GP-CAB [A] (NOT SERVICED) |
| 2 | 400837X1 | 62 | STRAP-CABLE |
| 4 | CH4E-2229 | 1 | DAMPER-ALARM (VOLUME CONTROL) |
| 5 | CH219-4673 | 1 | HORN (OPERATOR AUDIBLE ALARM) |
| 6 | CH105-8034 | 1 | SWITCH-LIMIT (CAB DOOR) |
| 7 | CH116-7471 | 1 | PULLER-MINIFUSE |
| 8 | CH117-2311 | 1 | RECEPTACLE-POWER (12 VOLT) |
| 19 | CH165-5975 | 10 | PLUG |
| 21 | 169-6380 | 1 | PANEL GP-FUSE (NOT SERVICED) (SEE BREAKDOWN FOR COMPONENTS) |
| 22 | 216-3028 | 1 | SWITCH-ROCKER (HAZARD) |
| 23 | 169-8231 | 1 | SWITCH-ROCKER (FLOOD LIGHTS) |
| 27 | 502171D1 | 1 | HARNESS (FLASHER) |
| 36 | CH096-6166 | 10 | WASHER-HARD (4.5X9X1) |
| 37 | CH145-0846 | 1 | KNOB-LIGHTER |
| 38 | CH145-0847 | 1 | HOUSING ASM (LIGHTER) |
| 38A | CH6V-8376 | 1 | SCREW-MACHINE (8-32X0.25 IN) |
| 38B | CH9B-7233 | 1 | LOCKWASHER |
| 40 | CH191-2276 | 4 | SCREW-TRUSS HEAD (M5X0.8) |
| 41 | CH3B-4501 | 12 | LOCKWASHER |
| 43 | CH3C-6969 | 5 | NUT (M3X0.5) |
| 45 | CH4P-8134 | 2 | CLIP |
| 47 | CH5C-8312 | 8 | NUT (M4X0.7) |
| 49 | CH6V-9671 | 4 | SCREW-MACHINE (M3X0.5X12MM) |
| 51 | 501941D1 | 1 | CAP AS-W/LANYARD |
| | 400408X1 | 1 | LANYARD |
| 55 | 400287X1 | 2 | WASHER-HARD (11X21X2.5) |
| 58 | 400058X1 | 4 | BOLT (M10X1.5X30MM) |
| 59 | 400227X1 | 2 | BOLT (M8X1.25X16MM) |
| 60 | CH8T-4205 | 7 | WASHER-HARD (7.2X14.5X2MM) |
| 61 | 400251X1 | 12 | BOLT-SOCKET HEAD (M4X0.7X16MM) |
| 64 | CH179-4324 | 4 | LOCKNUT (M5X0.8) |
| 65 | CH9X-2044 | 7 | SCREW-TRUSS HEAD (M6X1X16MM) |
| 66 | 400076X1 | 25 | WASHER (5X16X1.2) |
| 67 | 400039X1 | 2 | BOLT (M10X1.5X25MM) |

[A] PART OF 152-0012;152-0013;222-4146
CAB AR

0898293A
PR: t05b22n43d0127

MT800B SERIES TRACTORS
ELECTRICAL & STARTING

WIRING GP-CAB - 152-0005A
EAME ONLY



**MT800B SERIES TRACTORS
ELECTRICAL & STARTING**

325

**WIRING GP-CAB - 152-0005A
EAME ONLY**

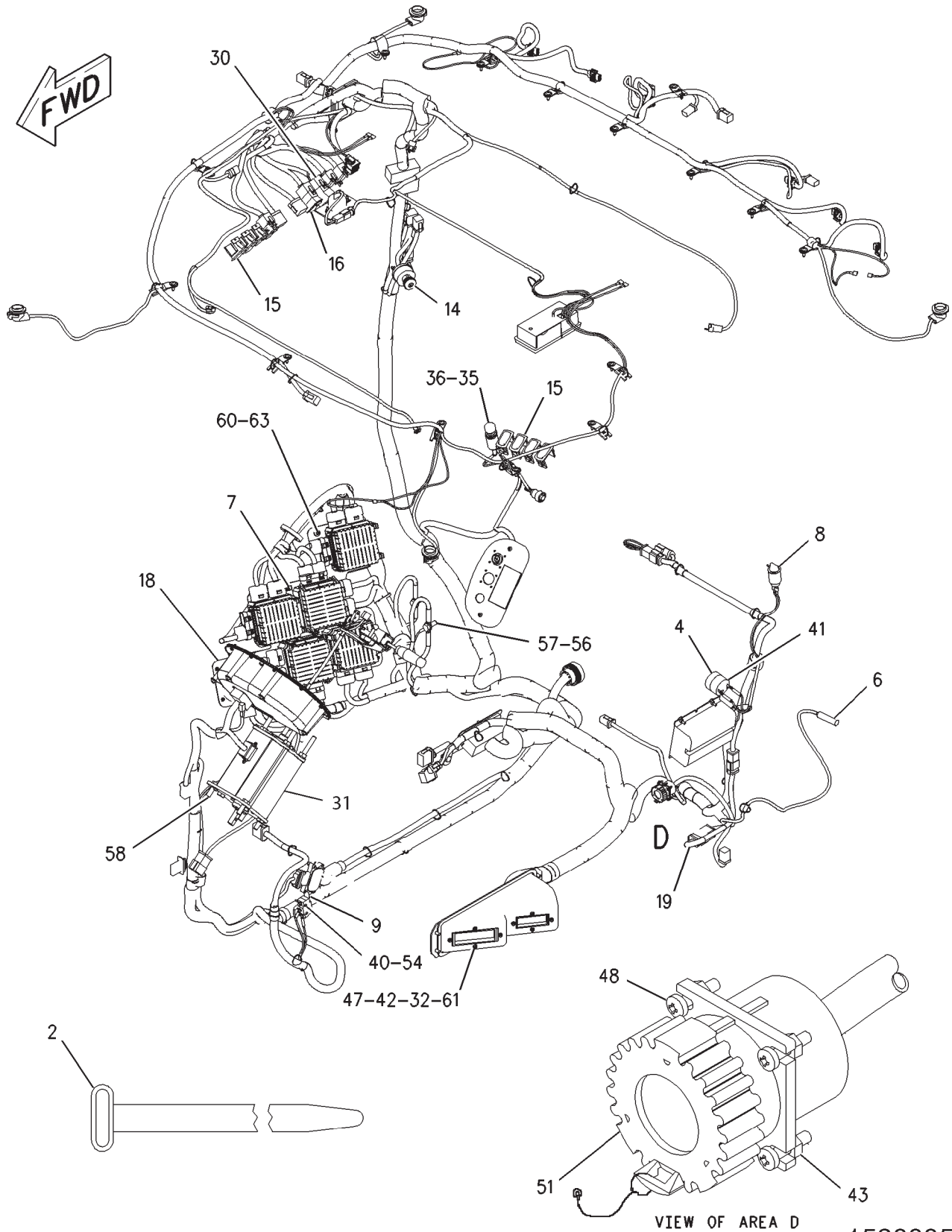
| ITEM | NUMBER | QTY | DESCRIPTION |
|------|------------|-----|---|
| - | 152-0005 | - | WIRING GP-CAB [A] (NOT SERVICED) |
| 1 | 501935D1 | 1 | COURTESY LIGHT AS (12 VOLT) (SEE BREAKDOWN FOR COMPONENTS) |
| 2 | 400837X1 | 63 | STRAP-CABLE [B] |
| 3 | CH3T-8607 | 1 | STUD ASY-POWER TERMINAL |
| | 6F-7044 | 2 | NUT-FULL (1/2-20) |
| | 9B-0453 | 2 | LOCKWASHER |
| 5 | 400076X1 | 25 | WASHER (5X16X1.2) |
| 9 | CH129-6457 | 1 | SWITCH AS-LIMIT (BRAKE LIGHT) |
| | CH6V-8376 | 3 | SCREW-MACHINE (8-32X0.25 IN) |
| | CH9B-7233 | 3 | LOCKWASHER |
| 10 | CH136-5511 | 1 | LAMP AS-DOME |
| | CH9W-3326 | 1 | LAMP (12 VOLT) |
| 11 | 500446D1 | 1 | HARNESS AS (CAB MAIN) |
| 12 | 501949D1 | 1 | HARNESS AS (ROOF) |
| 13 | 400084X1 | 4 | NUT-RETAINER (M4X0.07X0.6-3.8PANEL) |
| 17 | 170-2204 | 1 | SWITCH AS (HIGH/LOW BEAM, ROADING, TURN) |
| 20 | 173-7708 | 1 | HARNESS AS (TRAILER CONNECTOR) |
| 21 | 502188D1 | 1 | CABLE AS (CAB POWER) |
| 22 | CH175-7057 | 1 | MODULE-FLASHER |
| 23 | 177-0381 | 1 | HOUSING-CAB INTERFACE |
| 24 | 177-0385 | 1 | PLATE AS |
| 25 | 178-7957 | 1 | GROMMET-INNER ROOF |
| 26 | 179-4204 | 1 | PANEL ASM (SERVICE COMPLETE) |
| 27 | 180-5244 | 1 | SEAL-CONNECTOR |
| 29 | CH212-6998 | 1 | MODULE GP-DISPLAY |
| 31 | 217-9780 | 1 | CONTROL GP-STEERING (SEE BREAKDOWN FOR COMPONENTS) |
| 32 | CH096-6166 | 10 | WASHER-HARD (4.5X9X1) |
| 33 | CH110-2028 | 17 | SCREW-PAN HEAD (10-14X.75 IN) |
| 34 | CH123-0707 | 2 | SCREW-HEX SOCKET (M4X0.7X20MM) |
| 37 | CH179-4324 | 4 | LOCKNUT |
| 38 | CH191-2276 | 4 | SCREW-TRUSS HEAD (M5X0.8X20MM) |
| 39 | 400017X1 | 4 | BOLT-SCKT HD (M4X0.7X8) |
| 42 | CH3B-4501 | 12 | LOCKWASHER |
| 44 | CH4P-7581 | 15 | CLIP |
| 45 | CH4P-8134 | 2 | CLIP |
| 46 | CH5C-2874 | 4 | NUT (M5X.8) |
| 49 | CH7K-1181 | 1 | STRAP-CABLE |
| 50 | CH7Y-7256 | 2 | SCREW-TRUSS HEAD (M4X0.7X35MM) |
| 52 | CH8C-8514 | 2 | SCREW-MACHINE (8-32X.375 IN) |
| 53 | CH8T-0337 | 6 | SCREW-MACHINE (M4X0.7X12MM) |
| 59 | 400227X1 | 2 | BOLT (M8X1.25X16MM) |
| 60 | CH8T-4205 | 7 | WASHER-HARD (7.2X14.5X2) |
| 61 | 400251X1 | 12 | BOLT-SOCKET HEAD (M4X0.7X16MM) |
| 63 | CH9X-2044 | 7 | SCREW-TRUSS HEAD (M6X1X16MM) |

[A] PART OF 152-0008; 152-0009 CAB AR
[B] USE AS REQUIRED

1520005A
PR: t05b22n43d0128

MT800B SERIES TRACTORS
ELECTRICAL & STARTING

WIRING GP-CAB - 152-0005B
EAME ONLY



**MT800B SERIES TRACTORS
ELECTRICAL & STARTING**

327

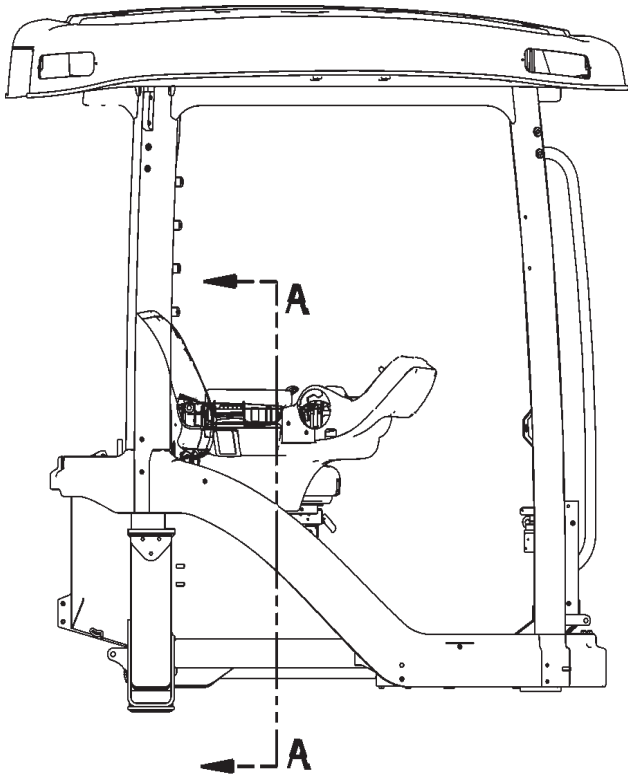
**WIRING GP-CAB - 152-0005B
EAME ONLY**

| ITEM | NUMBER | QTY | DESCRIPTION |
|------|------------|-----|--|
| - | 152-0005 | - | WIRING GP-CAB [A] (NOT SERVICED) |
| 2 | 400837X1 | 63 | STRAP-CABLE [B] |
| 4 | CH4E-2229 | 1 | DAMPER AS-ALARM |
| 6 | CH105-8034 | 1 | SWITCH AS-LIMIT (CAB DOOR) |
| 7 | CH116-7471 | 1 | PULLER-MINIFUSE |
| 8 | CH117-2311 | 1 | RECEPTACLE AS-POWER (12 VOLT) |
| 9 | CH129-6457 | 1 | SWITCH AS-LIMIT |
| | CH6V-8376 | 3 | SCREW-MACHINE (8-32X0.25 IN) |
| | CH9B-7233 | 3 | LOCKWASHER |
| 14 | CH163-2657 | 1 | SWITCH GP-START |
| | 400781X1 | 1 | WEDGE-RECEPTACLE LOCK |
| | CH7T-6799 | 1 | NUT-MOUNTING (1-32) |
| | 400562X1 | 2 | PIN-CONNECTOR |
| | 400708X1 | 1 | KIT-RECEPTACLE (4 PIN) (INCLUDES RECEPTACLE AS WEDGE) |
| | CH5P-8500 | 1 | KEY-IGNITION |
| 15 | CH165-5975 | 8 | PLUG |
| 16 | 169-8231 | 1 | SWITCH AS-ROCKER (FLOOD) |
| 18 | 172-6841 | 1 | PANEL GP-FUSE (CLAAS) (SEE BREAKDOWN FOR COMPONENTS) |
| 19 | 502173D1 | 1 | HARNESS AS (FLASHER) |
| 30 | 216-3028 | 1 | SWITCH AS-ROCKER (HAZARD) |
| 31 | 217-9780 | 1 | CONTROL GP-STEERING (SEE BREAKDOWN FOR COMPONENTS) |
| 32 | CH096-6166 | 10 | WASHER-HARD (4.5X9X1) |
| 35 | CH145-0846 | 1 | KNOB AS-LIGHTER |
| 36 | CH145-0847 | 1 | HOUSING AS |
| | CH6V-8376 | 1 | SCREW-MACHINE (8-32X0.25 IN) |
| | CH9B-7233 | 1 | LOCKWASHER |
| 40 | CH216-9085 | 4 | SCREW-PAN HEAD |
| 41 | CH219-4673 | 1 | HORN (12 VOLT) |
| 42 | CH3B-4501 | 12 | LOCKWASHER |
| 43 | CH3C-6969 | 4 | NUT (M3X0.5) |
| 47 | CH5C-8312 | 8 | NUT (M4X0.7) |
| 48 | CH6V-9671 | 4 | SCREW-MACHINE (M3X0.5X12MM) |
| 51 | 501941D1 | 1 | CAP AS-W/LANYARD |
| | 400408X1 | 1 | LANYARD |
| 54 | CH8T-2658 | 4 | LOCKNUT (M3X0.5) |
| 56 | 400287X1 | 2 | WASHER-HARD (11X21X2.5) |
| 57 | 400039X1 | 2 | BOLT (M10X1.5X25MM) |
| 58 | 400058X1 | 4 | BOLT (M10X1.5X30MM) |
| 60 | CH8T-4205 | 7 | WASHER-HARD (7.2X14.5X2) |
| 61 | 400251X1 | 12 | BOLT-SOCKET HEAD (M4X0.7X16MM) |
| 63 | CH9X-2044 | 7 | SCREW-TRUSS HEAD (M6X1X16MM) |

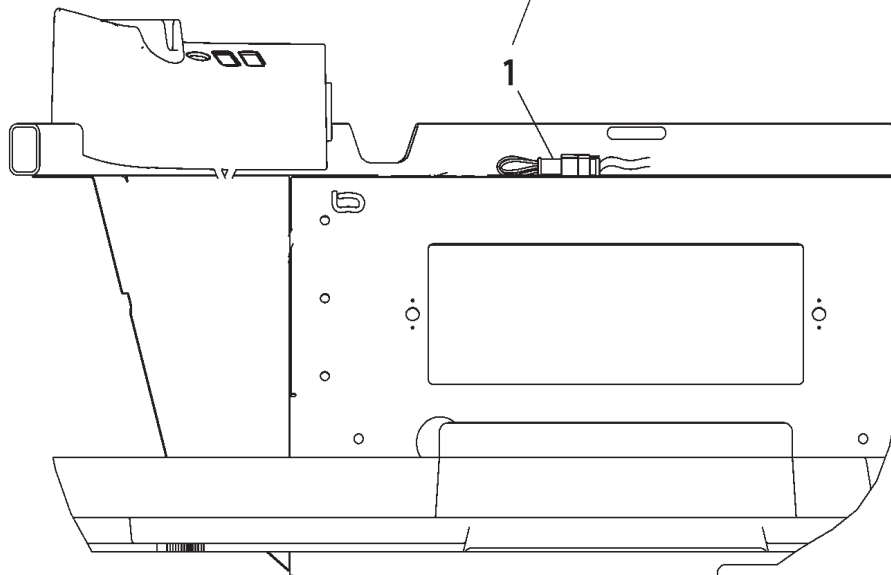
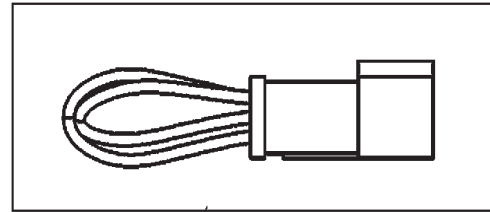
[A] PART OF 152-0008; 152-0009 CAB AR
[B] USE AS REQUIRED

1520005B
PR: t05b22n43d0129

WIRING GP-TRAILER JUMPER - 501940D1



RIGHT SIDE VIEW OF CAB



SECTION A-A
(SEAT AND REAR WRAP REMOVED)

MT800B SERIES TRACTORS
ELECTRICAL & STARTING

329

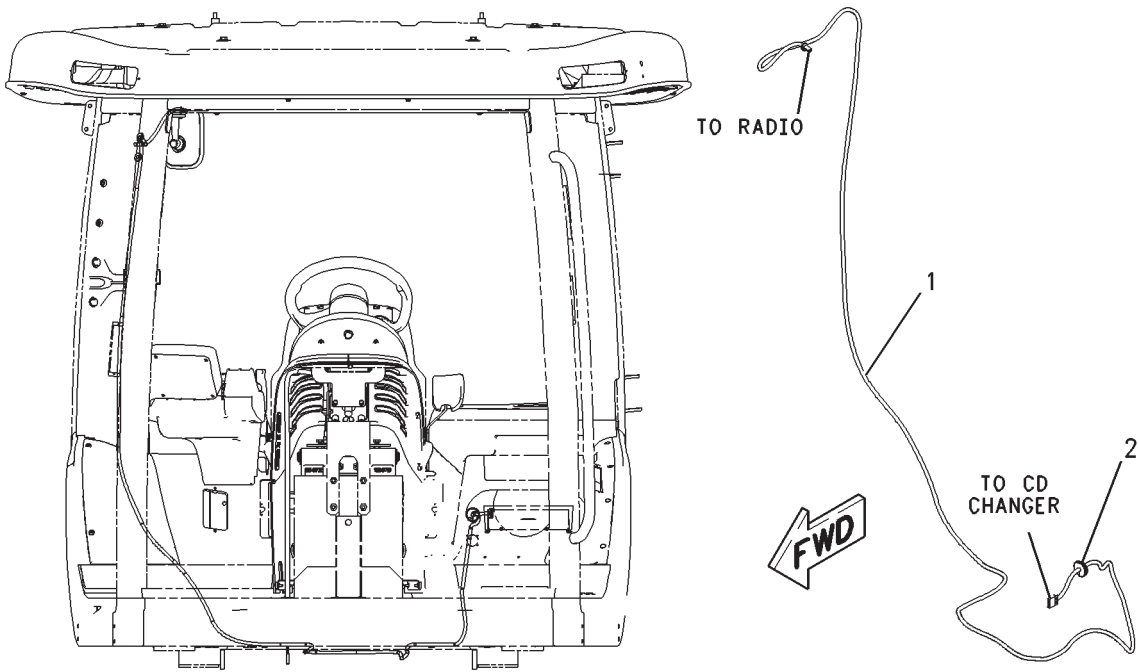
WIRING GP-TRAILER JUMPER - 501940D1

| ITEM | NUMBER | QTY | DESCRIPTION |
|------|----------|-----|--|
| - | 501940D1 | - | WIRING GP-TRAILER JUMPER [A] (NOT SERVICED) |
| 1 | 173-7708 | 1 | HARNESS AS-TRAILER |

[A] PART OF 152-0420 WIRING GP-CAB

501940DC
PR: t05b22n43d0130

WIRING GP-COMPACT DISC CHANGER
195-9532



FRONT VIEW

MT800B SERIES TRACTORS
ELECTRICAL & STARTING

331

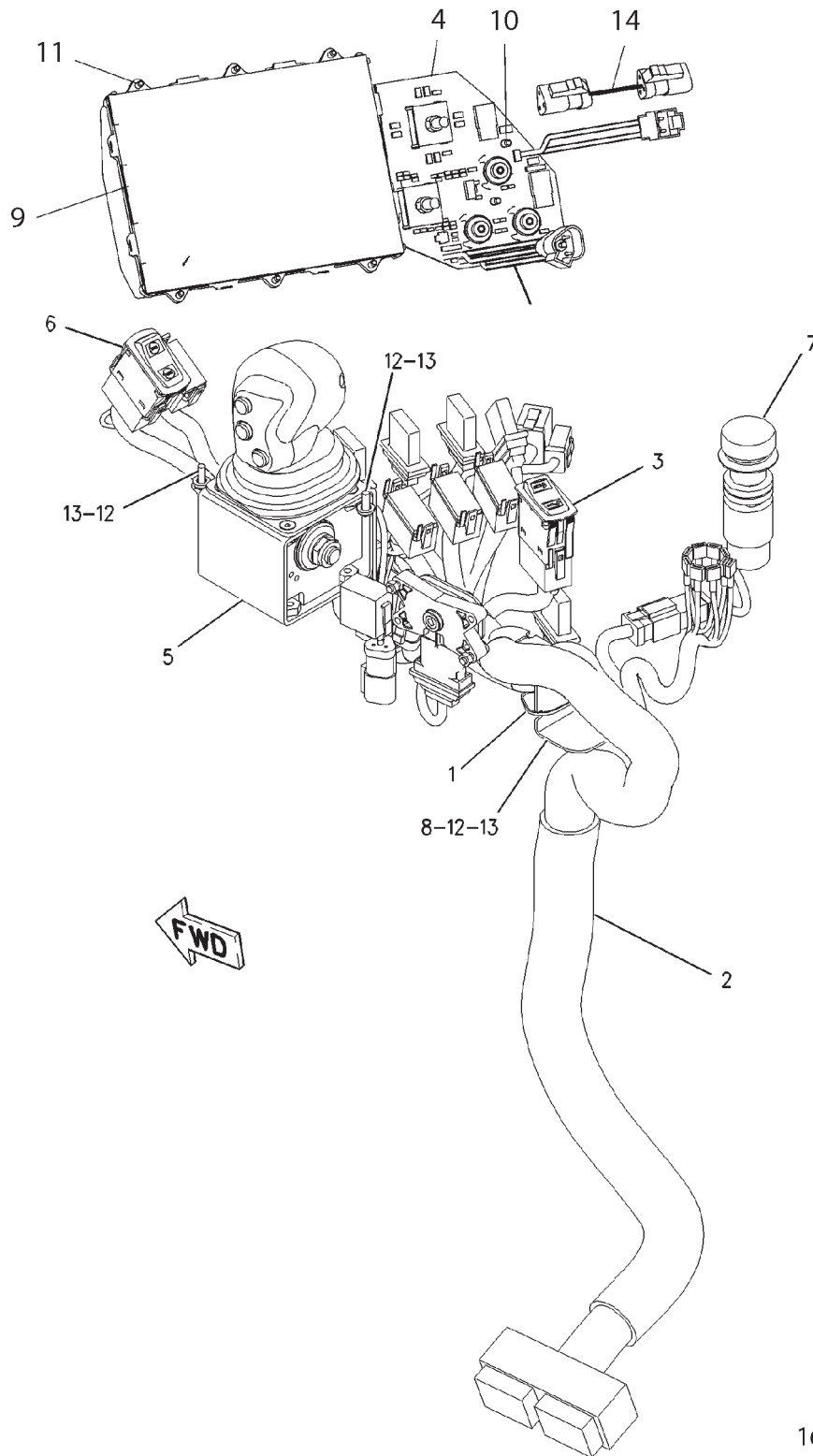
WIRING GP-COMPACT DISC CHANGER
195-9532

| ITEM | NUMBER | QTY | DESCRIPTION |
|------|------------|-----|--|
| - | 195-9532 | - | WIRING GP-COMPACT DISC CHANGER (NOT SERVICED) |
| 1 | 502189D1 | 1 | HARNESS (COMPACT DISC CHANGER) |
| 2 | CH212-4443 | 1 | GROMMET |

00825421
PR: t05b22n43d0131

MT800B SERIES TRACTORS
ELECTRICAL & STARTING

WIRING GP-CONSOLE - 166-1211
ARMREST W/PTO



**MT800B SERIES TRACTORS
ELECTRICAL & STARTING**

333

**WIRING GP-CONSOLE - 166-1211
ARMREST W/PTO**

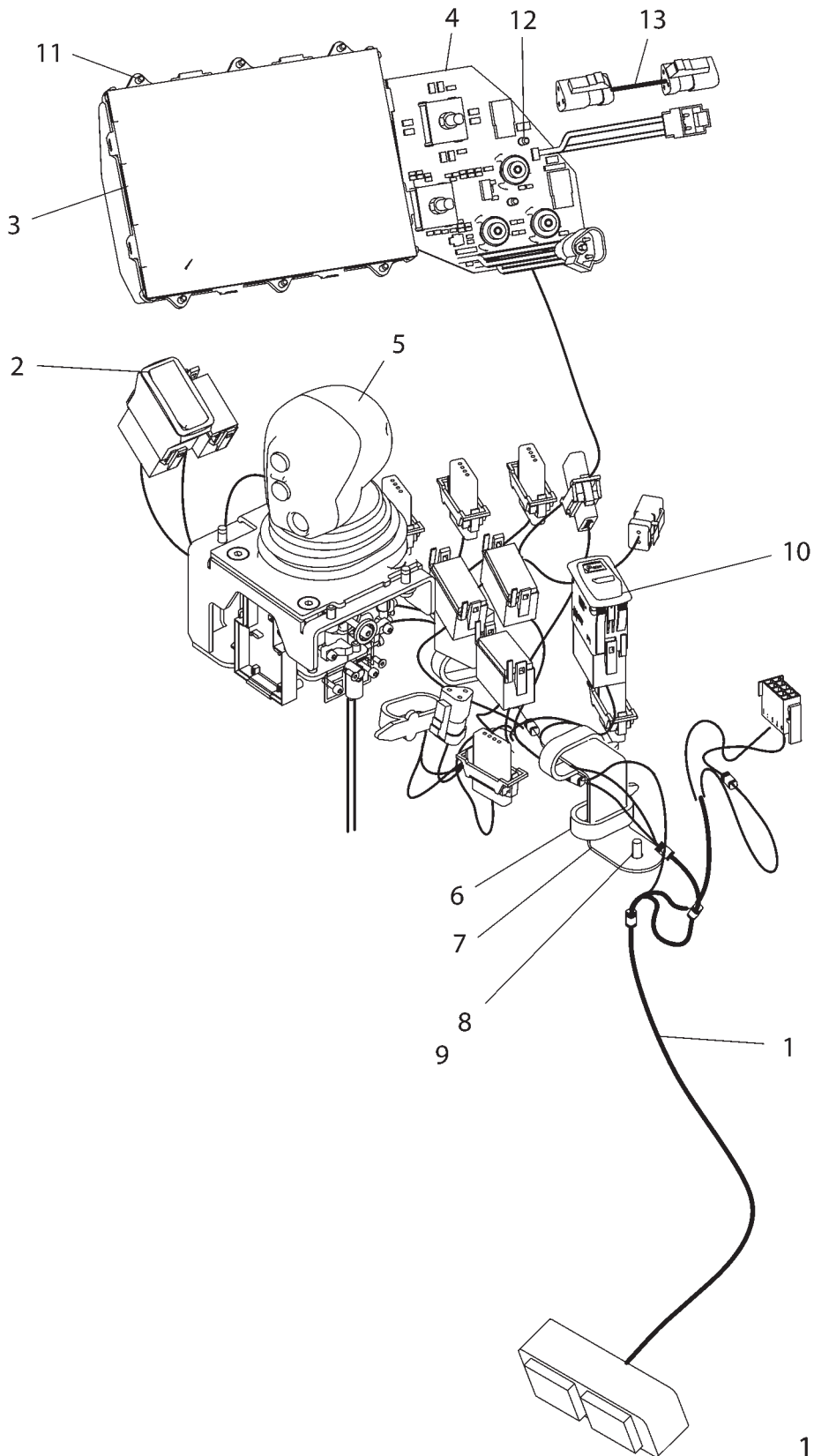
| ITEM | NUMBER | QTY | DESCRIPTION |
|------|----------|-----|---|
| - | 166-1211 | - | WIRING GP-CONSOLE [A] (NOT SERVICED) |
| 1 | 400837X1 | 4 | STRAP-CABLE |
| 2 | 502035D1 | 1 | HARNESS AS. (ARMREST) |
| 3 | 222-2457 | 1 | SWITCH-ROCKER (ROADING LOCKOUT) |
| 4 | 501033D1 | 1 | MODULE GP-MONITOR KEYPAD (TR MGMT CNTR) (SEE BREAKDOWN FOR COMPONENTS) |
| 5 | 169-6346 | 1 | CONTROL GP-TRANSMISSION (NOT SERVICED) (SEE BREAKDOWN FOR COMPONENTS) |
| 6 | 169-8228 | 1 | SWITCH-ROCKER (ONE TOUCH MULTI-FUNCTION) |
| 7 | 502009D1 | 1 | SWITCH AS. (POWER TAKE-OFF) |
| | 400782X1 | 1 | CONNECTOR-RECP. |
| | 400562X1 | 4 | PIN-CONNECTOR |
| 8 | 202-0844 | 1 | BRACKET |
| 9 | 502006D1 | 1 | DISPLAY (TRACTOR MGMT CENTER) |
| 10 | 400834X1 | 4 | SCREW-TRUSS HD (8-16X0.5IN) |
| 11 | 400835X1 | 6 | SCREW-PAN HEAD (6-19X0.5IN) |
| 12 | 400836X1 | 3 | SCREW-MACHINE (M5X0.8THD) |
| 13 | 400310X1 | 3 | WASHER (6.6X12X2MM THK) |
| 14 | 502005D1 | 1 | JUMPER HARNESS-SWITCH MODULE |

[A] PART OF 500484D2; 500485D2;
500488D2; 500489D2; 500791D2;
500792D2 ARMREST GP

1661211A
PR: t05k07n15a0010

MT800B SERIES TRACTORS
ELECTRICAL & STARTING

WIRING GP-CONSOLE - 136-5477
WITHOUT PTO



MT800B SERIES TRACTORS
ELECTRICAL & STARTING

335

WIRING GP-CONSOLE - 136-5477
WITHOUT PTO

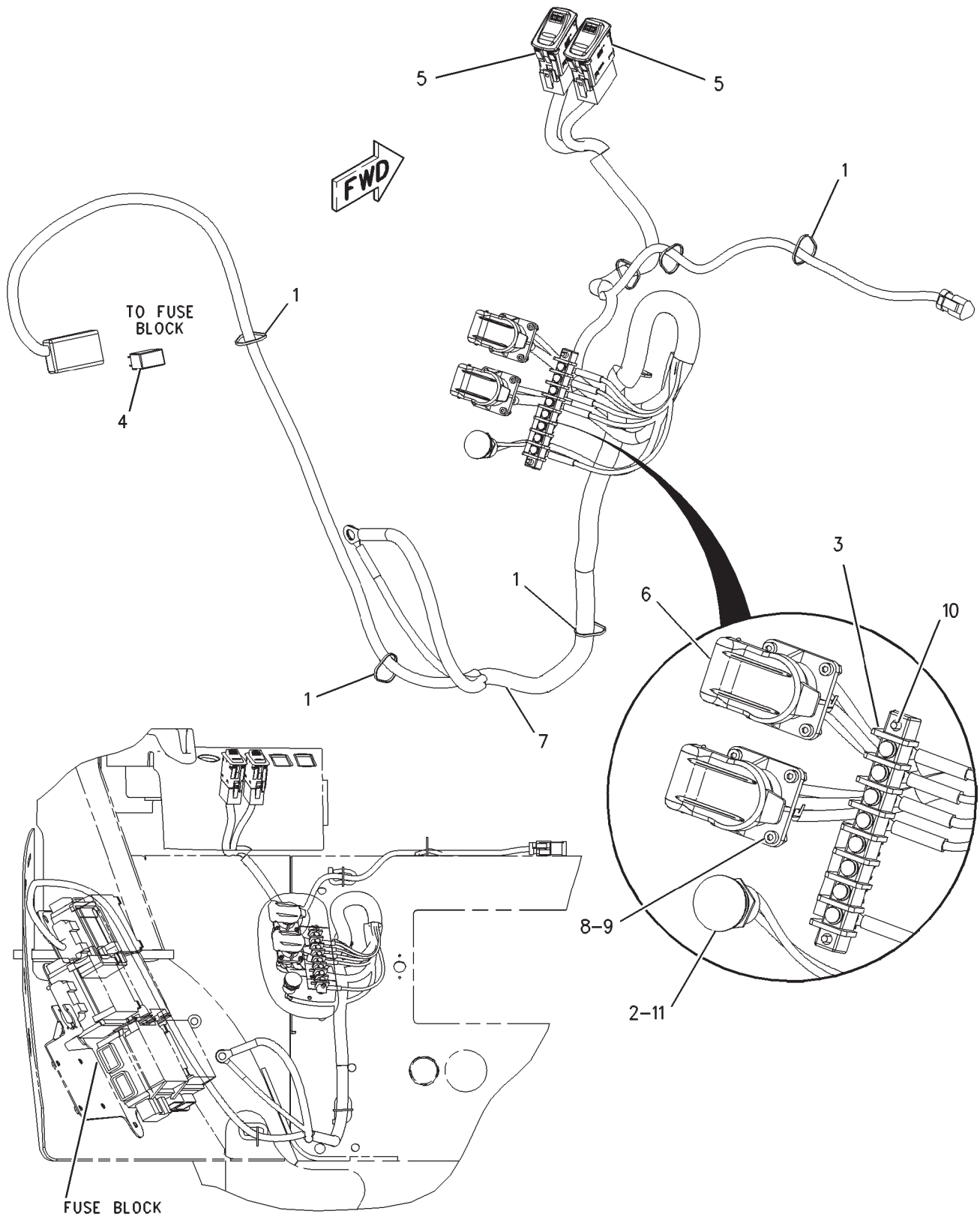
| ITEM | NUMBER | QTY | DESCRIPTION |
|------|----------|-----|---|
| - | 136-5477 | - | WIRING GP-CONSOLE [A] (NOT SERVICED) |
| 1 | 502035D1 | 1 | HARNESS ASM (ARMREST) |
| 2 | 169-8228 | 1 | SWITCH ASM-ROCKER (ONE TOUCH MULTI-FUNCTION) |
| 3 | 502006D1 | 1 | DISPLAY |
| 4 | 501033D1 | 1 | CONTROL GP-ELECTRONIC (SEE BREAKDOWN FOR COMPONENTS) |
| 5 | 169-6346 | 1 | CONTROL GP-TRANSMISSION (NOT SERVICED-SEE BREAKDOWN) |
| 6 | 400837X1 | 4 | STRAP-CABLE |
| 7 | 202-0844 | 1 | BRACKET |
| 8 | 400310X1 | 3 | WASHER (6.6X12X2) |
| 9 | 400836X1 | 3 | SCREW-PAN HD (M5X0.8X14) |
| 10 | 222-2457 | 1 | SWITCH-ROCKER (IMPLEMENT LOCKOUT) |
| 11 | 400835X1 | 6 | SCREW-PAN HD (6-19X12.7) |
| 12 | 400834X1 | 4 | SCREW-TRUSS HD (8-16X12.7MM) |
| 13 | 502005D1 | 1 | JUMPER HARNESS-SWITCH MODULE |

[A] PART OF:
500486D2; 500487D2; 500490D2;
500491D2; 500793D2;
500794D2 ARMREST GP
500763D1; 500764D1; 500767D1;
500841D1; 500842D1; 500843D1;
500849D1 CAB AR

1365477J
PR: t05b22n43d0132

MT800B SERIES TRACTORS
ELECTRICAL & STARTING

WIRING GP-CONSOLE - 168-1946
EAME ONLY



FRONT VIEW

MT800B SERIES TRACTORS
ELECTRICAL & STARTING

337

WIRING GP-CONSOLE - 168-1946
EAME ONLY

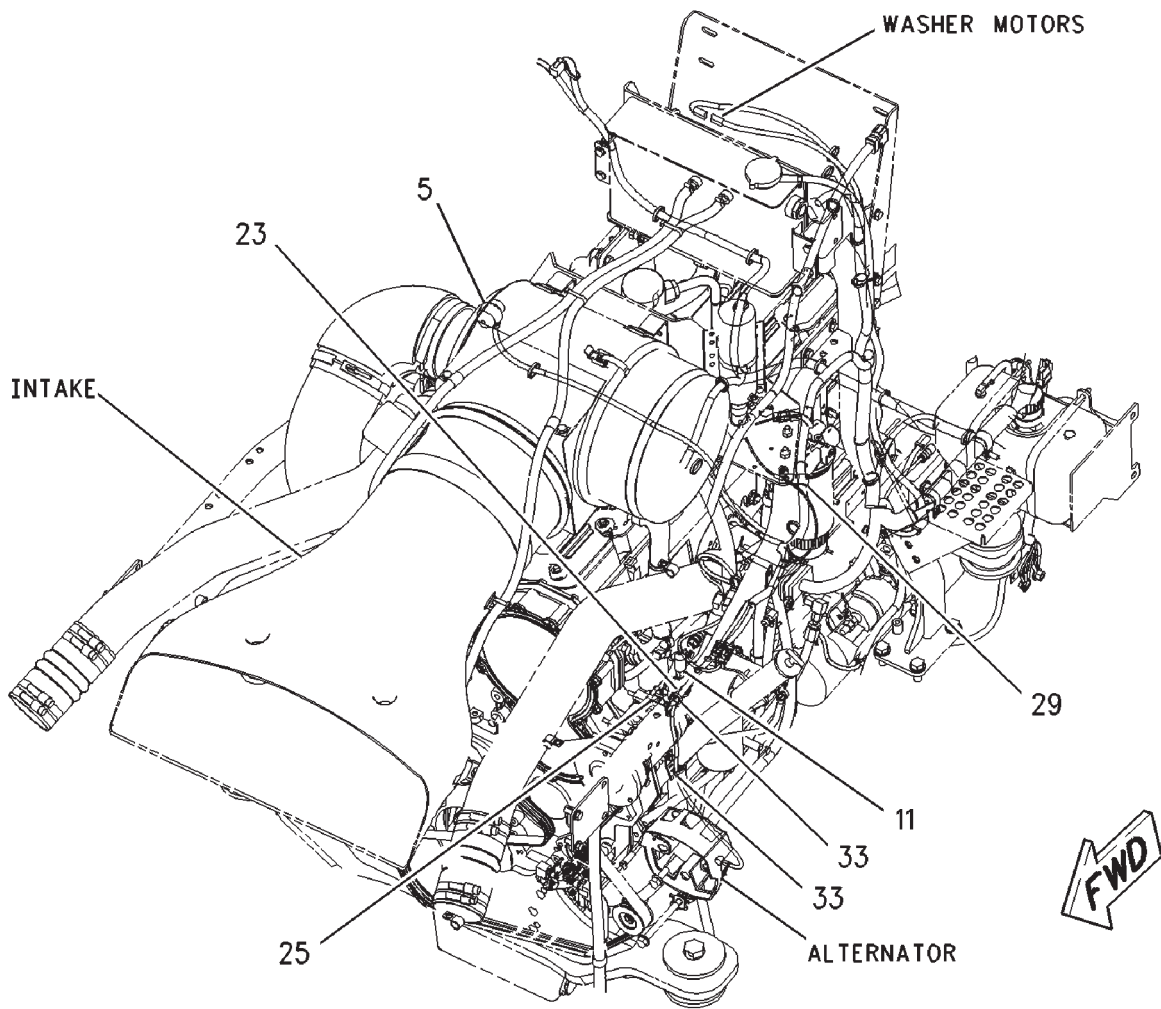
| ITEM | NUMBER | QTY | DESCRIPTION |
|------|------------|-----|---|
| - | 168-1946 | - | WIRING GP-CONSOLE [A] |
| 1 | 400837X1 | 7 | STRAP-CABLE |
| 2 | CH9R-7941 | 1 | RECEPTACLE AS-POWER (24 VOLTS) |
| | CH9R-7980 | 1 | COVER |
| 3 | CH136-5268 | 1 | STRIP AS |
| 4 | CH146-9439 | 1 | RELAY AS (12 VOLT) (AUXILIARY POWER SWITCHES) |
| 5 | 169-8229 | 2 | SWITCH AS-ROCKER (AUXILIARY POWER) |
| 6 | CH174-9061 | 2 | CONNECTOR |
| 7 | 502175D1 | 1 | HARNESS AS (AUXILIARY POWER) |
| 8 | 400006X1 | 8 | BOLT-SOCKET HEAD (M3X0.5X12MM) |
| 9 | CH3C-6969 | 8 | NUT (M3X0.5 THD) |
| 10 | CH119-5026 | 2 | SCREW-PAN HEAD (10-16X0.63 IN) |
| 11 | 400322X1 | 1 | SEAL-O-RING (19.28IDX1.78DIA) |

[A] PART OF:
152-0008; 152-0009; 500841D1;
502659D1; 502660D1 CAB AR

00883528
PR: t05b22n43d0133

MT800B SERIES TRACTORS
ELECTRICAL & STARTING

WIRING GP-VEHICLE - 136-5668



VIEW OF HARNESS
AROUND ENGINE

**MT800B SERIES TRACTORS
ELECTRICAL & STARTING**

339

WIRING GP-VEHICLE - 136-5668

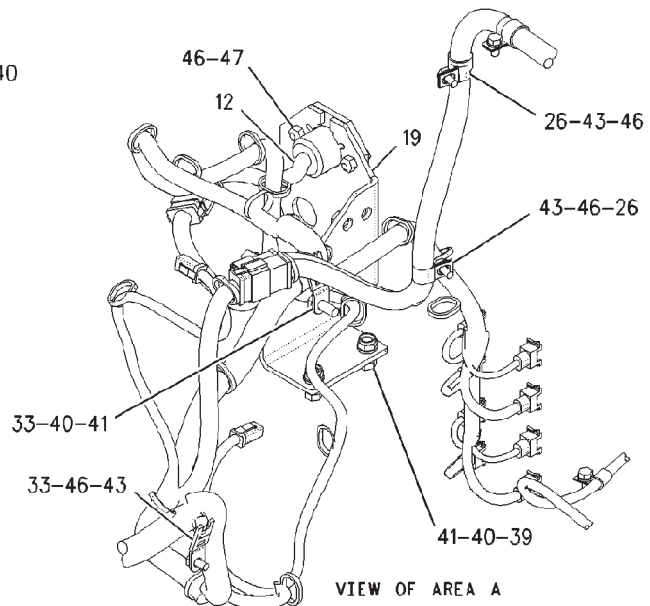
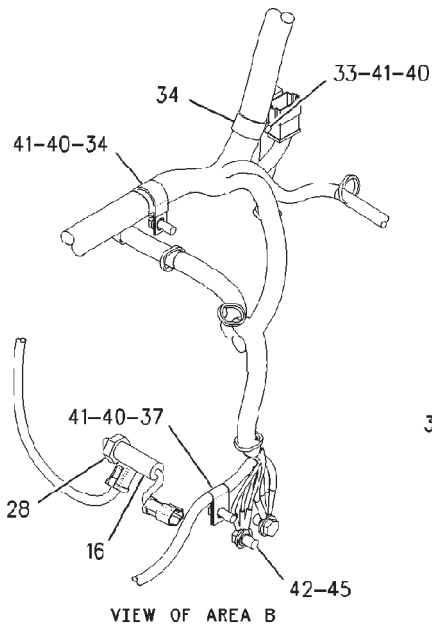
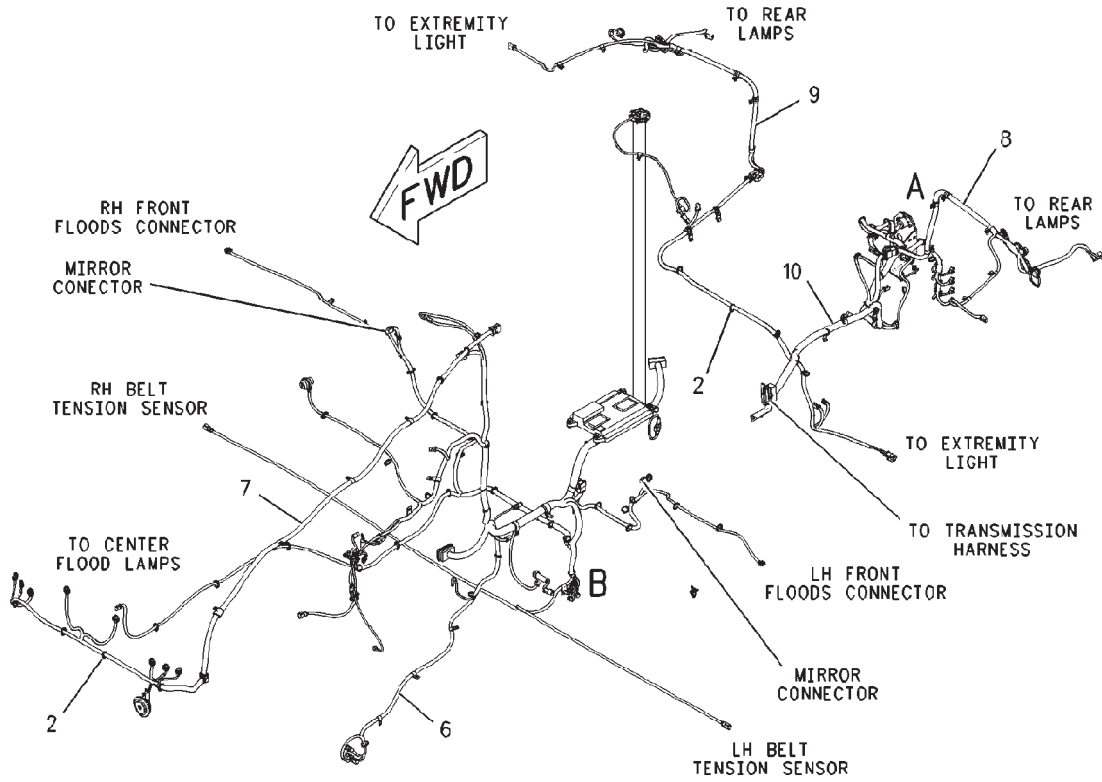
| ITEM | NUMBER | QTY | DESCRIPTION |
|------|------------|-----|--|
| - | 136-5668 | - | WIRING GP-MACHINE [A] (NOT SERVICED) |
| 5 | 226-4754 | 1 | SWITCH ASM |
| 11 | CH149-6371 | 1 | SWITCH ASM-PRESSURE |
| | 102-8802 | 1 | KIT-RECEPTACLE (2 PIN) (INCLUDES WEDGE AND RECEPTACLE ASM) (SERVICED AS COMPLETE KIT ONLY) |
| | 186-3735 | 2 | PIN-CONNECTOR |
| 23 | CH114-5333 | 1 | SWITCH ASM-PRESSURE |
| | 102-8802 | 1 | KIT-RECEPTACLE (2 PIN) (INCLUDES WEDGE AND RECEPTACLE ASM) (SERVICED AS COMPLETE KIT ONLY) |
| | 186-3735 | 2 | PIN-CONNECTOR |
| 25 | CH132-5789 | 2 | CLIP |
| 29 | 4D-7735 | 1 | CLIP |
| 33 | CH4P-7581 | 11 | CLIP |

[A] PART OF:
179-1952; 501810D1 BASE COMMON AR

00897024
PR: t05b22n43d0134

MT800B SERIES TRACTORS
ELECTRICAL & STARTING

WIRING GP-MACHINE - 136-5668



**MT800B SERIES TRACTORS
ELECTRICAL & STARTING**

341

WIRING GP-MACHINE - 136-5668

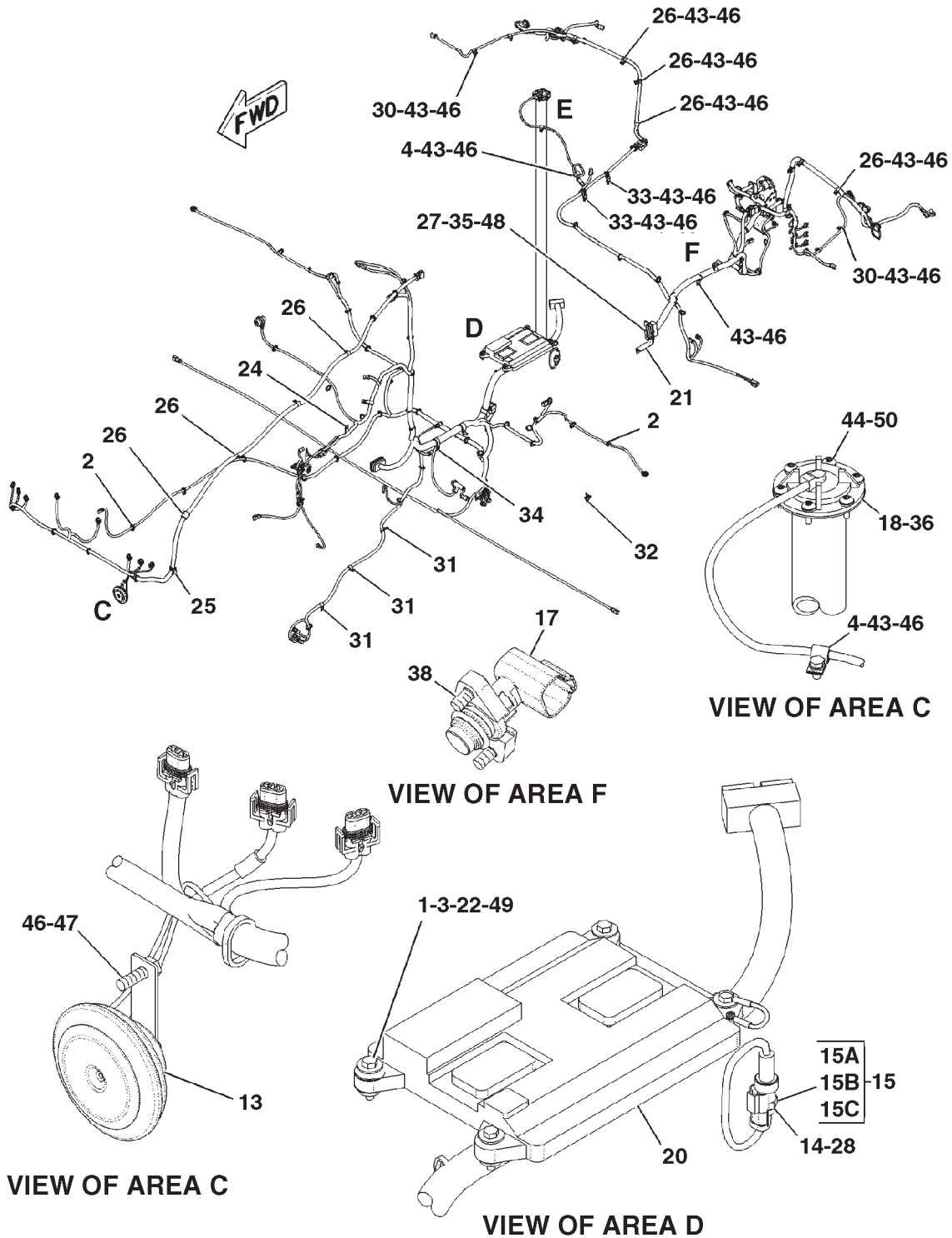
| ITEM | NUMBER | QTY | DESCRIPTION |
|------|------------|-----|--|
| - | 136-5668 | - | WIRING GP-MACHINE [A] (NOT SERVICED) |
| 2 | CH7K-1181 | 87 | STRAP-CABLE |
| 6 | 136-5380 | 1 | HARNESS ASM-CHASSIS |
| 7 | 136-5381 | 1 | HARNESS ASM (HOOD) |
| 8 | 226-4324 | 1 | HARNESS ASM (LH) |
| 9 | 226-4325 | 1 | HARNESS ASM (RH) |
| 10 | 501952D1 | 1 | HARNESS ASM (REAR) |
| 12 | 502197D1 | 1 | HARNESS ASM-TRAILER |
| 16 | CH175-3244 | 1 | SWITCH ASM-PRESSURE |
| | 102-8803 | 1 | KIT-RECEPTACLE (3 PIN) (INCLUDES WEDGE AND RECEPTACLE ASM) (SERVICED AS COMPLETE KIT ONLY) |
| | 186-3735 | 1 | PIN-CONNECTOR |
| | 8T-5677 | | SLEEVE (20CM) |
| | 5P-6008 | | TUBE (60CM) |
| 19 | 196-5405 | 1 | BRACKET ASM (INCLUDES BRACKET & NUT) |
| 26 | CH134-3988 | 11 | CLIP |
| 28 | 400318X1 | 2 | SEAL-O-RING |
| 33 | CH4P-7581 | 11 | CLIP |
| 34 | 400597X1 | 3 | CLIP |
| 37 | CH6S-5993 | 1 | CLIP |
| 39 | CH8T-0389 | 2 | LOCKNUT (M10X1.5) |
| 40 | 400287X1 | 6 | WASHER-HARD (11X21X2.5) |
| 41 | 400039X1 | 6 | BOLT (M10X1.5X25MM) |
| 42 | 400047X1 | 2 | BOLT (M12X1.75X20MM) |
| 43 | 400227X1 | 18 | BOLT (M8X1.25X16MM) |
| 45 | 400357X1 | 2 | WASHER-HARD (M12X25.5X3) |
| 46 | 400339X1 | 23 | WASHER-HARD (8.8X16X2) |
| 47 | 400341X1 | 3 | BOLT (M8X1.25X25MM) |

[A] PART OF:
179-1952; 501810D1 BASE COMMON AR

00896821
PR: t05b22n43d0135

MT800B SERIES TRACTORS
ELECTRICAL & STARTING

WIRING GP-MACHINE - 136-5668



**MT800B SERIES TRACTORS
ELECTRICAL & STARTING**

343

WIRING GP-MACHINE - 136-5668

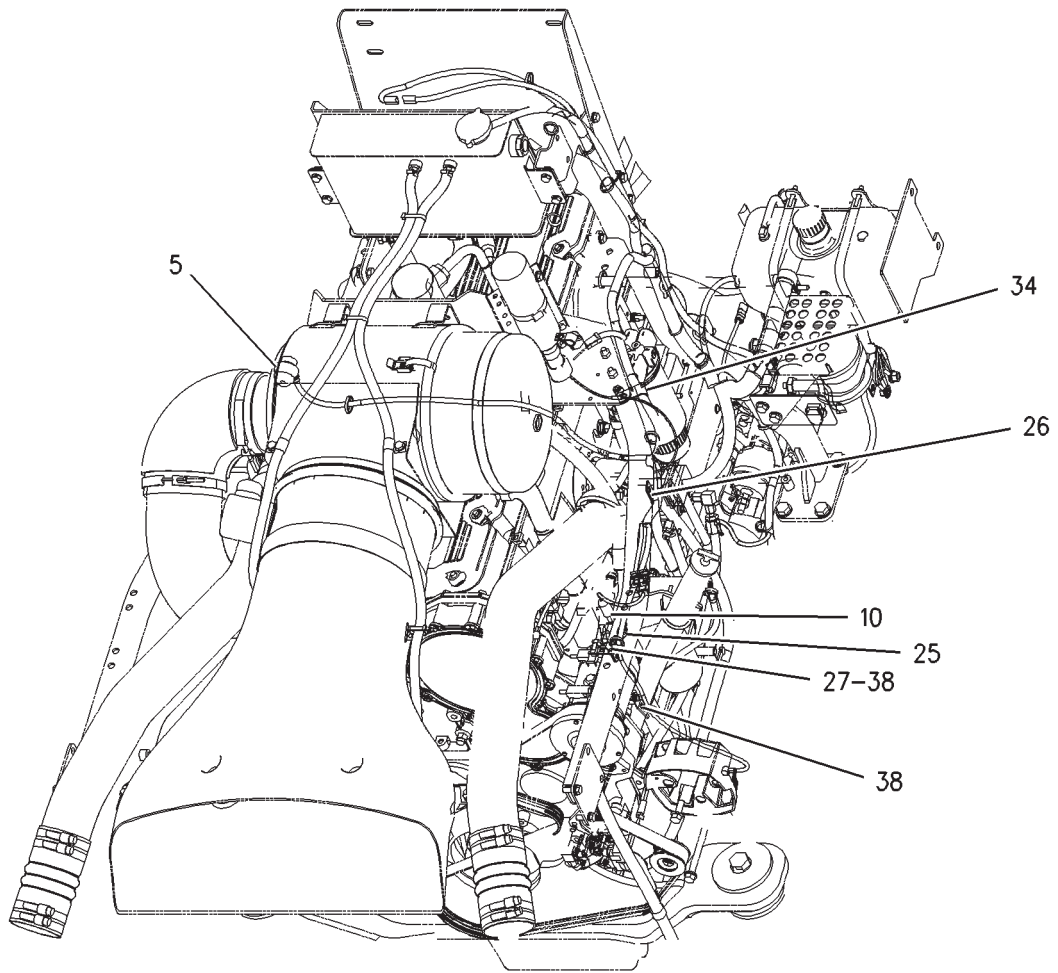
| ITEM | NUMBER | QTY | DESCRIPTION |
|------|------------|-----|---|
| - | 136-5668 | - | WIRING GP-MACHINE [A] (NOT SERVICED) |
| 1 | CH6I-1418 | 4 | SPACER (8.2X12.7X28.7) |
| 2 | CH7K-1181 | 87 | STRAP-CABLE |
| 3 | CH8T-9655 | 8 | MOUNT (ISOLATION) |
| 4 | CH134-3987 | 2 | CLIP |
| 13 | 501998D1 | 1 | HORN (12 VOLT) |
| 14 | CH161-9932 | 1 | SENSOR GP-PRESSURE (SEE BREAKDOWN FOR COMPONENTS) |
| 15 | CH173-7223 | 1 | ADAPTER AS-4STORX6STOR |
| 15A | | 1 | ADAPTER (ORDER ITEM 15) |
| 15B | 400361X1 | 1 | SEAL-O-RING (8.92ID X 1.83DIA) |
| 15C | 400318X1 | 1 | SEAL-O-RING (11.89ID X 1.98DIA) |
| 17 | CH183-4584 | 1 | SENSOR GP-SPEED |
| | CH6J-2245 | 1 | SEAL-O-RING (17.12ID X 2.62DIA) |
| 18 | CH194-7620 | 1 | SENDER ASM-FUEL LEVEL |
| | CH204-7458 | 1 | SENSOR KIT |
| 20 | 209-0893 | 1 | ELECTRONICS GP-MACHINE/TRANSMISSION (NOT SERVICED) |
| | 256-0173 | 1 | SOFTWARE GP-POWER TRAIN (TRANSMISSION/MACHINE) (FOR SOFTWARE INFO CALL SERVICE/WARRANTY AT 507-847-7222) |
| | 178-9090 | 1 | CONTROL GP-UNPROGRAMMED |
| | | 1 | CONTROL ASM |
| | 7X-6315 | 1 | STRAP ASM-GROUND |
| | 134-4126 | 1 | WASHER (4.52X8.28X.76) |
| | 184-2472 | 1 | SCREW-PAN HEAD (LUBRICATED) |
| 21 | 211-1171 | 1 | BRACKET ASM |
| 22 | 400001X1 | 4 | BOLT (M8X1.25X40MM) |
| 24 | 124-1479 | 1 | CLIP |
| 25 | 132-5789 | 2 | CLIP |
| 26 | 134-3988 | 12 | CLIP |
| 27 | CH3B-4501 | 4 | LOCKWASHER |
| 28 | 400318X1 | 2 | SEAL-O-RING |
| 30 | CH4D-7794 | 4 | CLIP |
| 31 | CH4K-8864 | 3 | CLIP |
| 32 | CH4P-7428 | 1 | CLIP |
| 33 | CH4P-7581 | 11 | CLIP |
| 34 | 400597X1 | 3 | CLIP |
| 35 | CH5C-8312 | 4 | NUT (M4X0.7) |
| 36 | 500014D1 | 1 | GASKET |
| 38 | 400209X1 | 2 | BOLT-SOCKET HEAD (M6X1X12MM) |
| 43 | 400227X1 | 18 | BOLT (M8X1.25X16MM) |
| 44 | CH8T-4205 | 6 | WASHER-HARD (7.2X14.5X2MM) |
| 46 | 400339X1 | 23 | WASHER-HARD (8.8X16X2) |
| 47 | 400341X1 | 5 | BOLT (M8X1.25X25MM) |
| 48 | 400251X1 | 4 | BOLT-SOCKET HEAD (M4X0.7X16MM) |
| 49 | CH9N-0869 | 4 | WASHER-HARD (8.8X25.5X2) |
| 50 | CH9X-2045 | 6 | SCREW-TRUSS HEAD (M6X1X20MM) |

[A] PART OF:
179-1952; 501810D1 BASE COMMON AR

0896824A
PR: t05b22n43d0136

MT800B SERIES TRACTORS
ELECTRICAL & STARTING

WIRING GP-VEHICLE - 136-5669
EAME ONLY



VIEW OF ENGINE

**MT800B SERIES TRACTORS
ELECTRICAL & STARTING**

345

**WIRING GP-VEHICLE - 136-5669
EAME ONLY**

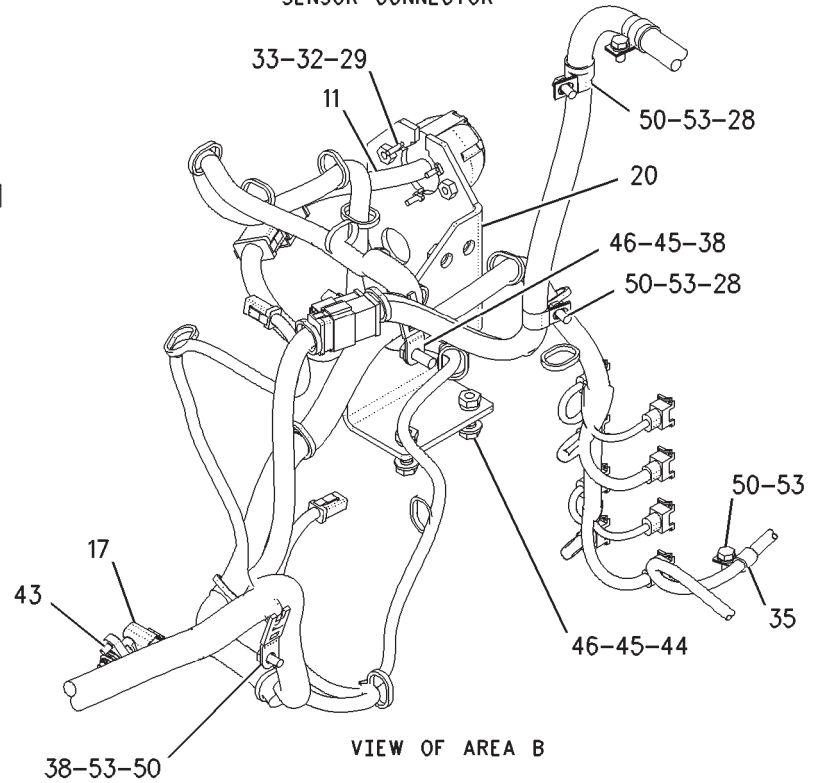
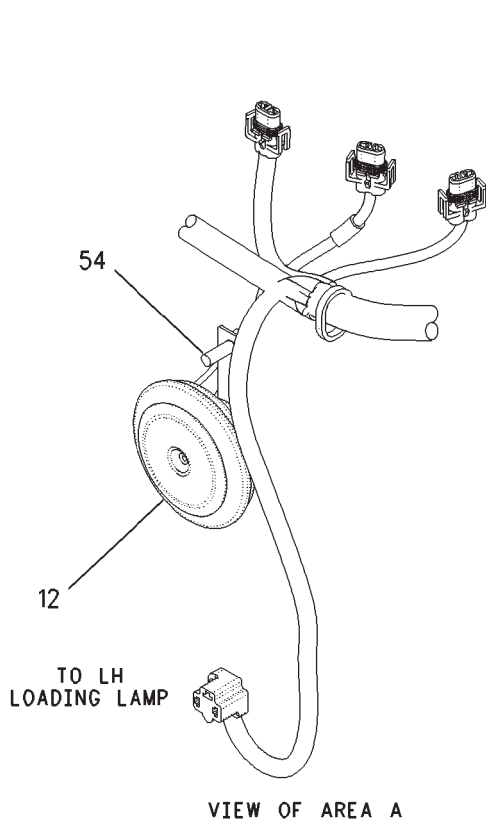
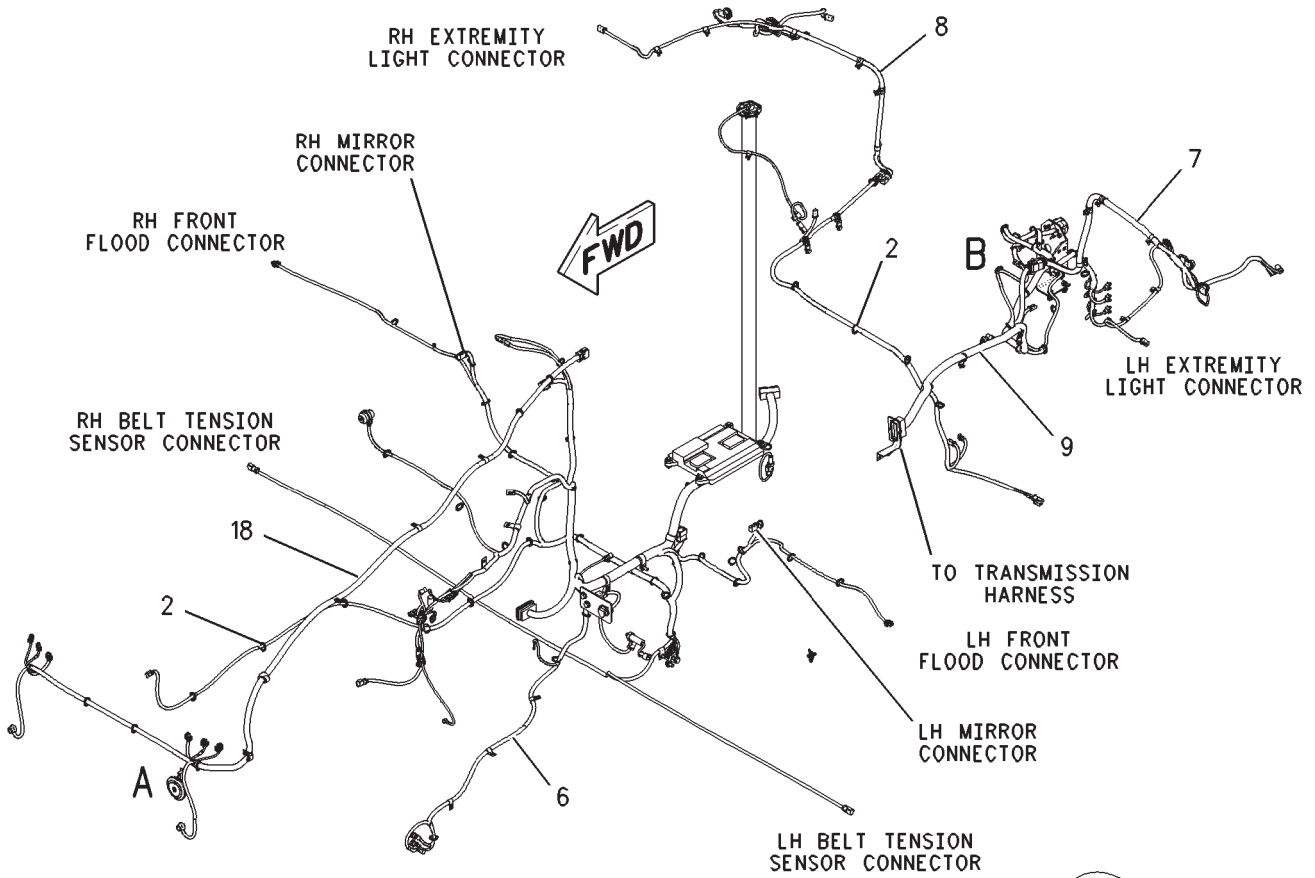
| ITEM | NUMBER | QTY | DESCRIPTION |
|------|------------|-----|---|
| - | 136-5669 | - | WIRING GP-VEHICLE [A] (NOT SERVICED) |
| 5 | 226-4754 | 1 | SWITCH AS |
| 10 | CH149-6371 | 1 | SWITCH AS-PRESSURE (AIR CONDITIONER LOW) |
| | CH102-8802 | 1 | KIT-RECEPTACLE (2 PIN) (INCLUDES RECEPTACLE AND WEDGE) |
| | 400511X1 | 1 | WEDGE-RECEPTACLE LOCK (2 PIN) |
| | 400562X1 | 2 | PIN-CONNECTOR |
| 25 | CH114-5333 | 1 | SWITCH AS-PRESSURE |
| | CH102-8802 | 1 | KIT-RECEPTACLE (2 PIN) (INCLUDES RECEPTACLE AND WEDGE) |
| | 400511X1 | 1 | WEDGE-RECEPTACLE LOCK (2 PIN) |
| | 400562X1 | 1 | PIN-CONNECTOR |
| | CH9X-1386 | 1 | GROMMET |
| 26 | 4D-9517 | 1 | CLIP |
| 27 | CH132-5789 | 2 | CLIP |
| 34 | CH4P-7581 | 1 | CLIP |
| 38 | CH4P-7581 | 8 | CLIP |

[A] PART OF:
179-2180; 501811D1 BASE COMMON AR
[B] USE AS REQUIRED
[E] ORDER BY THE CENTIMETER

00897317
PR: t05b22n43d0137

MT800B SERIES TRACTORS
ELECTRICAL & STARTING

WIRING GP-VEHICLE - 136-5669
EAME ONLY



**MT800B SERIES TRACTORS
ELECTRICAL & STARTING**

347

**WIRING GP-VEHICLE - 136-5669
EAME ONLY**

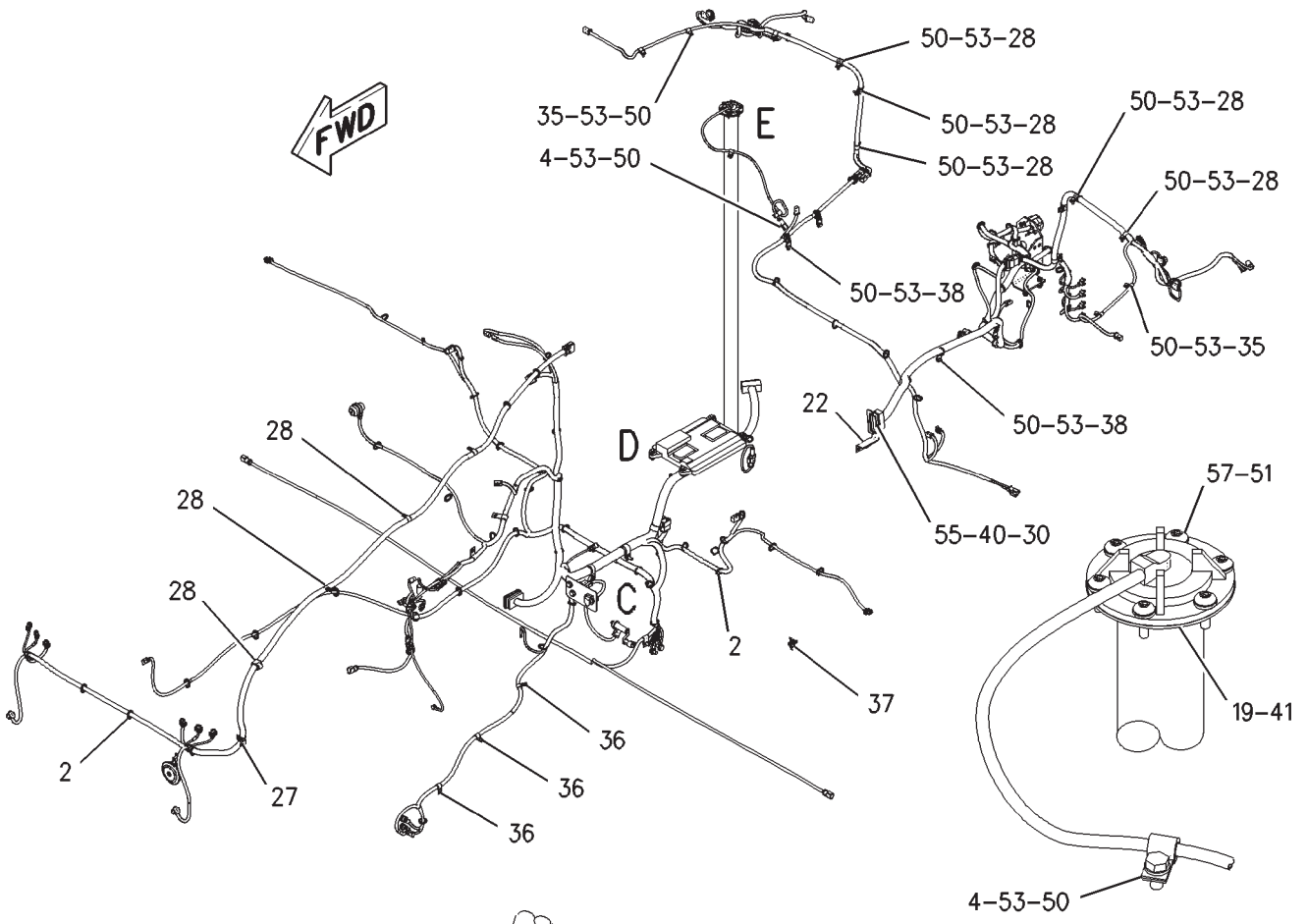
| ITEM | NUMBER | QTY | DESCRIPTION |
|------|------------|-----|--------------------------------------|
| - | 136-5669 | - | WIRING GP-VEHICLE [A] (NOT SERVICED) |
| 2 | CH7K-1181 | 90 | STRAP-CABLE |
| 6 | 136-5380 | 1 | HARNESS AS-CHASSIS |
| 7 | 226-4324 | 1 | HARNESS AS (LH) |
| 8 | 226-4325 | 1 | HARNESS AS (RH) |
| 9 | 501952D1 | 1 | HARNESS AS (REAR) |
| 11 | 502276D1 | 1 | HARNESS AS-TRAILER |
| 12 | 501998D1 | 1 | HORN (12 VOLT) |
| 17 | CH183-4584 | 1 | SENSOR GP-SPEED |
| | CH6J-2245 | 1 | SEAL-O-RING (17.12IDX2.62DIA) |
| 18 | 193-4752 | 1 | HARNESS AS (HOOD) |
| 20 | 500510D1 | 1 | BRACKET AS |
| | CH8T-3612 | 2 | NUT-WELD (M8X1.25 THD) |
| 28 | CH134-3988 | 11 | CLIP |
| 29 | CH2N-7456 | 3 | SCREW-MACHINE (10-24X1.5IN) |
| 32 | CH4B-2047 | 3 | NUT (10-24 THD) |
| 33 | CH4B-4274 | 3 | WASHER (5.5X13X1.2MM THK) |
| 35 | CH4D-7794 | 4 | CLIP |
| 38 | CH4P-7581 | 8 | CLIP |
| 43 | 400209X1 | 2 | BOLT-SOCKET HEAD (M6X1X12MM) |
| 44 | CH8T-0389 | 2 | LOCKNUT (M10X1.5 THD) |
| 45 | 400287X1 | 6 | WASHER-HARD (11X21X2.5MM THK) |
| 46 | 400039X1 | 5 | BOLT (M10X1.5X25MM) |
| 50 | 400227X1 | 18 | BOLT (M8X1.25X16MM) |
| 53 | 400339X1 | 19 | WASHER-HARD (8.8X16X2MM THK) |
| 54 | 400341X1 | 1 | BOLT (M8X1.25X25MM) |

[A] PART OF:
179-2180; 501811D1 BASE COMMON AR
[B] USE AS REQUIRED
[E] ORDER BY THE CENTIMETER

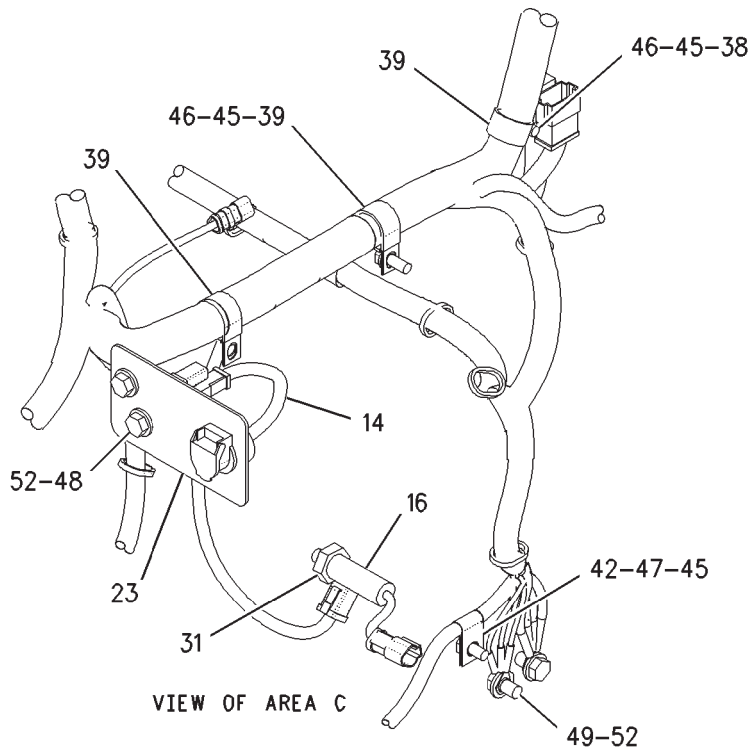
00897318
PR: t05b22n43d0138

MT800B SERIES TRACTORS
ELECTRICAL & STARTING

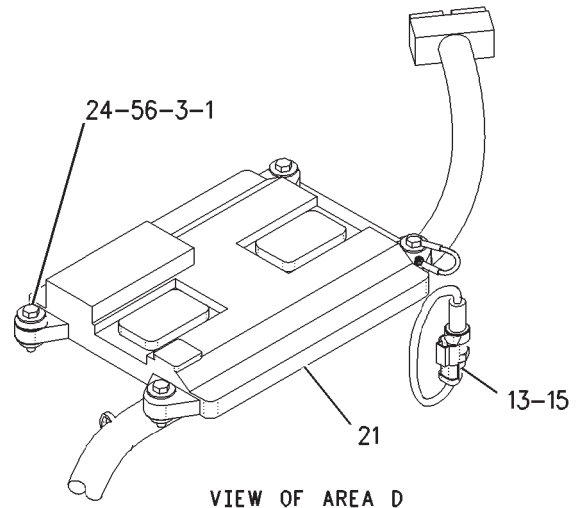
WIRING GP-VEHICLE - 136-5669
EAME ONLY



VIEW OF AREA E



VIEW OF AREA C



VIEW OF AREA D

**MT800B SERIES TRACTORS
ELECTRICAL & STARTING**

349

**WIRING GP-VEHICLE - 136-5669
EAME ONLY**

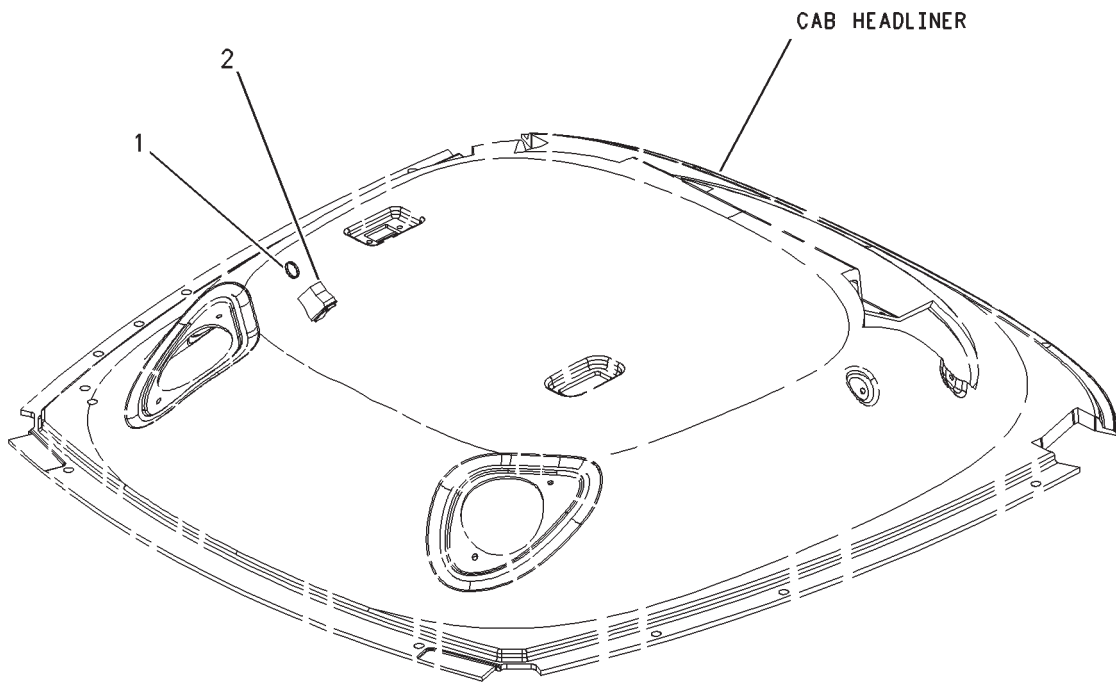
| ITEM | NUMBER | QTY | DESCRIPTION |
|------|------------|-----|--|
| - | 136-5669 | - | WIRING GP-VEHICLE [A] (NOT SERVICED) |
| 1 | CH6I-1418 | 4 | SPACER (8.2X12.7X28.7MM THK) |
| 2 | CH7K-1181 | 90 | STRAP-CABLE |
| 3 | CH8T-9655 | 8 | MOUNT (ISOLATION) |
| 4 | CH134-3987 | 2 | CLIP |
| 13 | CH161-9932 | 1 | SENSOR GP-PRESSURE (SEE BREAKDOWN FOR COMPONENTS) |
| 14 | 501962D1 | 1 | RECEPTACLE AS (12V EXTERNAL PWR OUTLET) |
| | 400865X1 | 1 | RECEPTACLE AS-PWR PORT (12VDC) |
| | CH102-8802 | 1 | KIT-RECEPTACLE-2 PIN (INCLS WEDGE) |
| | 400562X1 | 2 | PIN-CONNECTOR |
| 15 | CH173-7223 | 1 | ADAPTER AS-4STORX6STOR |
| | 400361X1 | 1 | SEAL-O-RING (8.92ID X 1.83DIA) |
| | 400318X1 | 1 | SEAL-O-RING (11.89ID X 1.98DIA) |
| 16 | CH175-3244 | 1 | SWITCH AS-PRESSURE |
| | CH102-8803 | 1 | KIT-RECEPTACLE-3 PIN (INCL WEDGE) |
| | 400562X1 | 3 | PIN-CONNECTOR (16-18AWG) |
| 19 | CH194-7620 | 1 | SENDER AS-FUEL LEVEL |
| | CH204-7458 | 1 | KIT-SENSOR (FUEL LEVEL) |
| | CH102-8802 | 1 | KIT-RECEPTACLE-2 PIN (INCL WEDGE) |
| 21 | 209-0893 | 1 | ELECTRONICS GP-MACHINE (TRNSMSN/MACHINE) (NOT SERVICED) |
| | 256-0173 | 1 | SOFTWARE GP-POWER TRAIN (TRANSMISSION/MACHINE) (FOR SOFTWARE INFOR CONTACT SERVICE/ WARRANTY AT 507-847-7222) |
| | 178-9090 | 1 | CONTROL GP-UNPROGRAMMED |
| | 7X-6315 | 1 | STRAP ASM-GROUND |
| | CH134-4126 | 1 | WASHER (4.52X8.28X.76) |
| | CH184-2472 | 1 | SCREW-PAN HEAD (LUBRICATED) |
| 22 | 211-1171 | 1 | BRACKET AS |
| 23 | 220-4138 | 1 | BRACKET |
| 24 | 400001X1 | 4 | BOLT (M8X1.25X40MM) |
| 27 | CH132-5789 | 2 | CLIP |
| 28 | CH134-3988 | 12 | CLIP |
| 30 | CH3B-4501 | 4 | LOCKWASHER |
| 31 | 400318X1 | 1 | SEAL-O-RING |
| 35 | CH4D-7794 | 4 | CLIP |
| 36 | CH4K-8864 | 3 | CLIP |
| 37 | CH4P-7428 | 1 | CLIP |
| 38 | CH4P-7581 | 11 | CLIP |
| 39 | 400597X1 | 3 | CLIP |
| 40 | CH5C-8312 | 4 | NUT (M4X0.7 THD) |
| 41 | 500014D1 | 1 | GASKET |
| 42 | CH6S-5993 | 1 | CLIP |
| 45 | 400287X1 | 6 | WASHER-HARD (11X21X2.5MM THK) |
| 46 | 400039X1 | 5 | BOLT (M10X1.5X25MM) |
| 47 | 400040X1 | 1 | BOLT (M10X1.5X20MM) |
| 48 | 400041X1 | 2 | BOLT (M12X1.75X30MM) |
| 49 | 400047X1 | 2 | BOLT (M12X1.75X20MM) |
| 50 | 400227X1 | 18 | BOLT (M8X1.25X16MM) |
| 51 | CH8T-4205 | 6 | WASHER-HARD (7.2X14.5X2MM THK) |
| 52 | 400357X1 | 4 | WASHER-HARD (M12X25.5X3MM THK) |
| 53 | 400339X1 | 21 | WASHER-HARD (8.8X16X2MM THK) |
| 55 | 400251X1 | 4 | BOLT-SOCKET HEAD (M4X0.7X16MM) |
| 56 | CH9N-0869 | 4 | WASHER-HARD (8.8X25.5X2MM THK) |
| 57 | CH9X-2045 | 6 | SCREW-TRUSS HEAD (M6X1X20MM) |

[A] PART OF:
179-2180; 501811D1 BASE COMMON AR

00897319
PR: t05b22n43d0139

MT800B SERIES TRACTORS
ELECTRICAL & STARTING

WIRING GP-SHUTOFF - 162-4096
ENGINE



MT800B SERIES TRACTORS
ELECTRICAL & STARTING

351

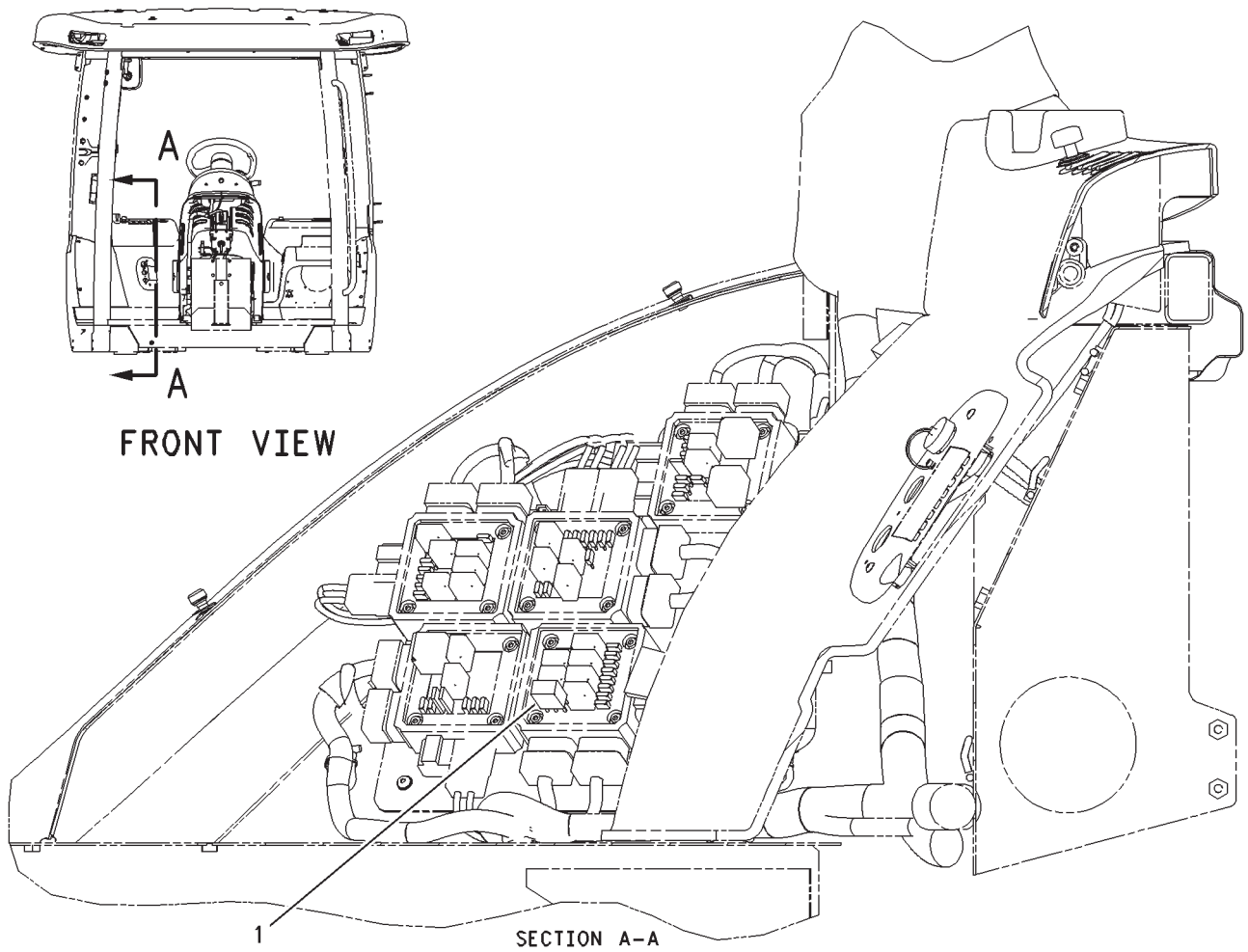
WIRING GP-SHUTOFF - 162-4096
ENGINE

| ITEM | NUMBER | QTY | DESCRIPTION |
|------|----------|-----|---------------------------------------|
| - | 162-4096 | - | WIRING GP-SHUTOFF [A] (NOT SERVICED) |
| 1 | 400837X1 | 1 | STRAP-CABLE |
| 2 | 169-8225 | 1 | SWITCH ASM-ROCKER (ENGINE IDLE TIMER) |

[A] PART OF 152-0012; 222-4146 CAB AR

00664360
PR: t05b22n43d0140

WIRING GP-SHUTOFF - 173-6501
TIME DELAY LIGHTING SHUTOFF



MT800B SERIES TRACTORS
ELECTRICAL & STARTING

353

WIRING GP-SHUTOFF - 173-6501
TIME DELAY LIGHTING SHUTOFF

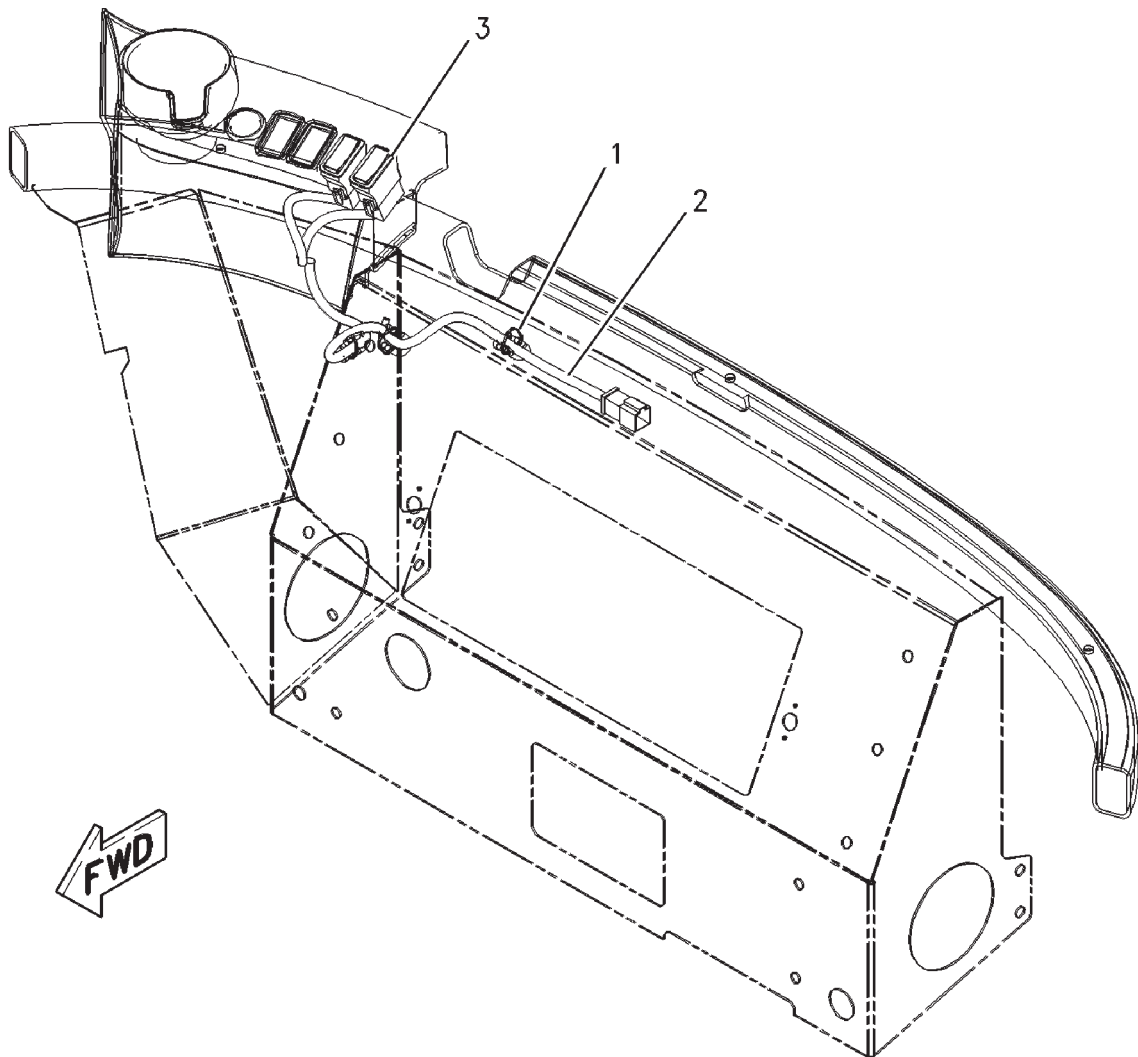
| ITEM | NUMBER | QTY | DESCRIPTION |
|------|------------|-----|--------------------------------------|
| - | 173-6501 | - | WIRING GP-SHUTOFF [A] (NOT SERVICED) |
| 1 | CH146-9439 | 1 | RELAY (12 VOLT) (WORK LIGHTS TIMER) |

[A] PART OF: 152-0008; 152-0012;
222-4146; 500763D1; 500765D1;
500767D1; 500841D1; 500843D1;
500849D1; 502659D1; 502667D1 CAB AR

00676197
PR: t05b22n43d0141

MT800B SERIES TRACTORS
ELECTRICAL & STARTING

WIRING GP-TRAILER - 162-4102
CONNECTOR SWITCHES
ROW & SPECIAL



MT800B SERIES TRACTORS
ELECTRICAL & STARTING

355

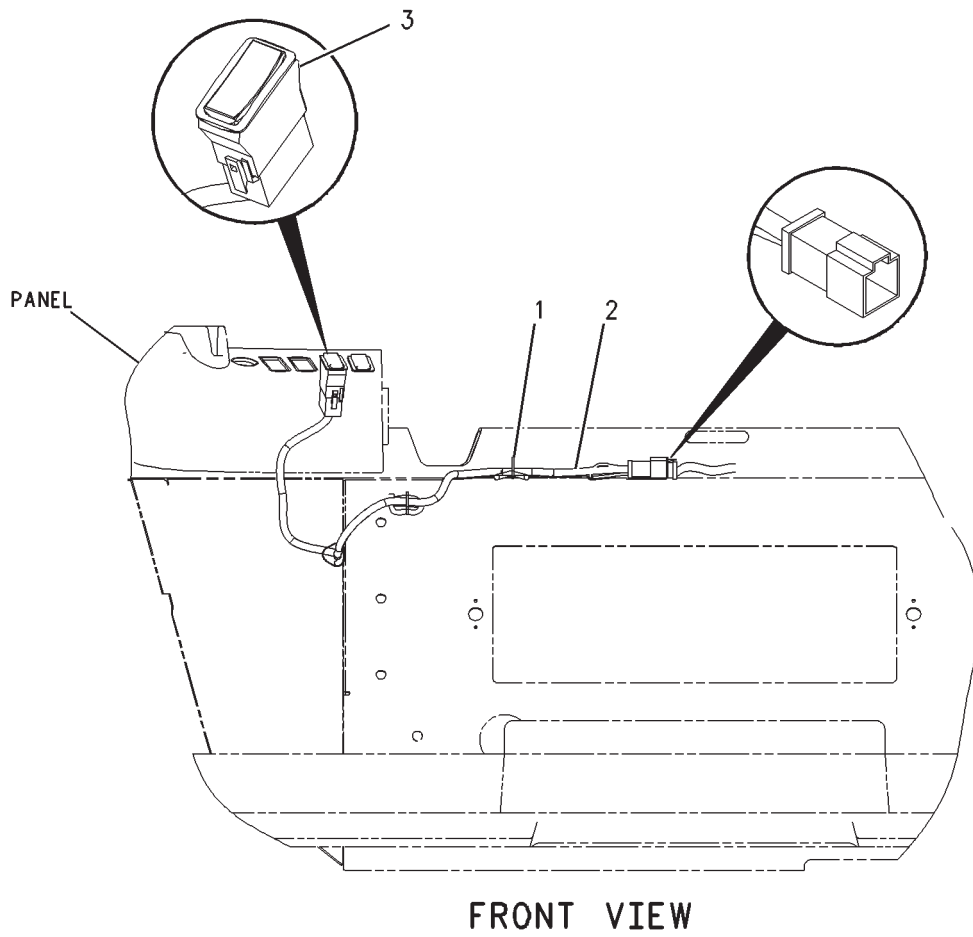
WIRING GP-TRAILER - 162-4102
CONNECTOR SWITCHES
ROW & SPECIAL

| ITEM | NUMBER | QTY | DESCRIPTION |
|------|----------|-----|----------------------------------|
| - | 162-4102 | - | WIRING GP-TRAILER (NOT SERVICED) |
| 1 | 400837X1 | 3 | STRAP-CABLE |
| 2 | 136-5535 | 1 | HARNESS ASM (TRAILER SWITCHES) |
| 3 | 169-8230 | 2 | SWITCH ASM-ROCKER (TRAILER) |

00664369
PR: t05b22n43d0142

MT800B SERIES TRACTORS
ELECTRICAL & STARTING

WIRING GP-TRAILER - 168-1945
CONNECTOR SWITCHES
EAME



MT800B SERIES TRACTORS
ELECTRICAL & STARTING

357

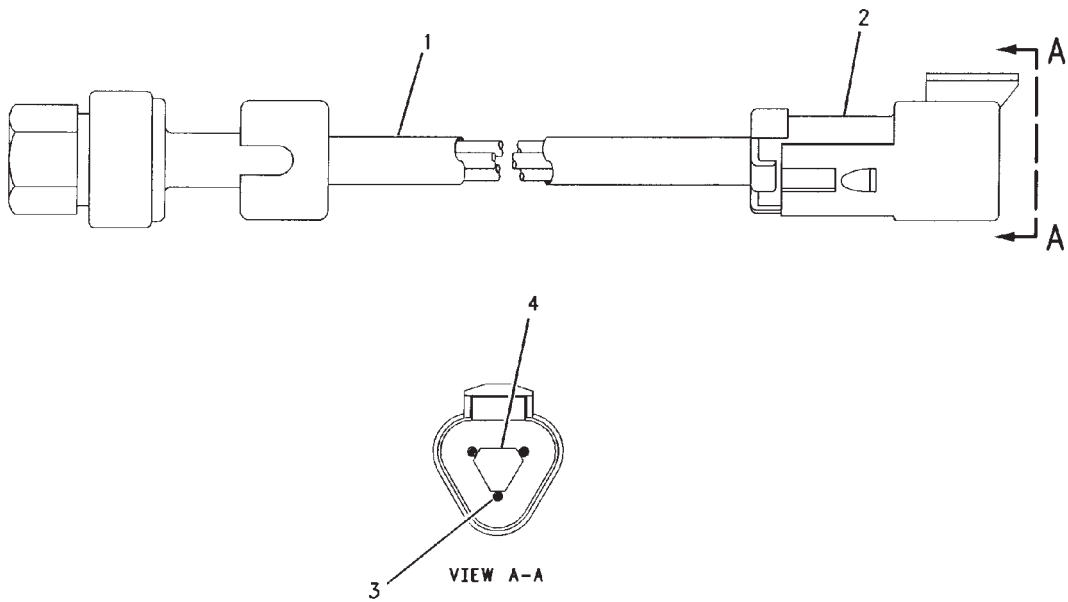
WIRING GP-TRAILER - 168-1945
CONNECTOR SWITCHES
EAME

| ITEM | NUMBER | QTY | DESCRIPTION |
|------|----------|-----|---------------------------------------|
| - | 168-1945 | - | WIRING GP-TRAILER (NOT SERVICED) |
| 1 | 400837X1 | 3 | STRAP-CABLE |
| 2 | 502198D1 | 1 | HARNESS AS (TRAILER CONNECTOR SWITCH) |
| 3 | 169-8230 | 1 | SWITCH AS-ROCKER (TRAILER) |

00723129
PR: t05b22n43d0143

MT800B SERIES TRACTORS
ELECTRICAL & STARTING

SENSOR GP-PRESSURE - CH161-9932



MT800B SERIES TRACTORS
ELECTRICAL & STARTING

359

SENSOR GP-PRESSURE - CH161-9932

| ITEM | NUMBER | QTY | DESCRIPTION |
|------|------------|-----|---|
| - | CH161-9932 | - | SENSOR GP-PRESSURE [A] |
| 1 | | | SLEEVE (15CM) |
| 2 | CH102-8803 | 1 | KIT-RECEPTACLE AS (3 PIN) (INCLS ITEM 4) |
| 3 | CH180-9339 | 3 | PIN-CONNECTOR (14-18 AWG GOLD) |
| | 400497X1 | 1 | PIN-CONNECTOR (14AWG) |
| | 400706X1 | 1 | PIN-CONNECTOR (16-18AWG) |
| 4 | CH3E-3371 | 1 | WEDGE-RECEPT LOCK |

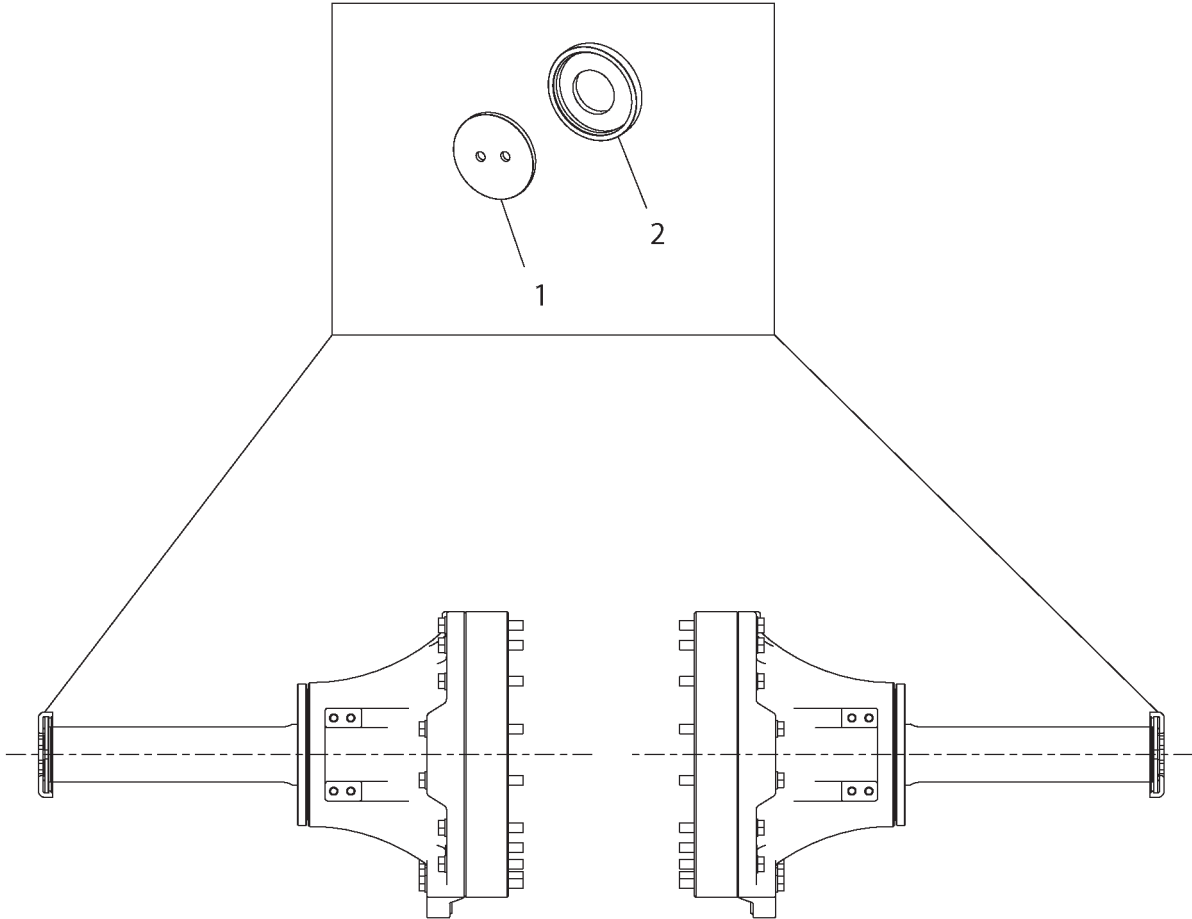
[A] PART OF 136-5668;136-5669
WIRING GP-VEHICLE

00612982
PR: t05k07n15a0011

360

MT800B SERIES TRACTORS
POWER TRAIN ATTACHING

GUARD GP-AXLE - 208-3021
EAME ONLY



2083021A

MT800B SERIES TRACTORS
POWERTRAIN ATTACHING

361

GUARD GP-AXLE - 208-3021
EAME ONLY

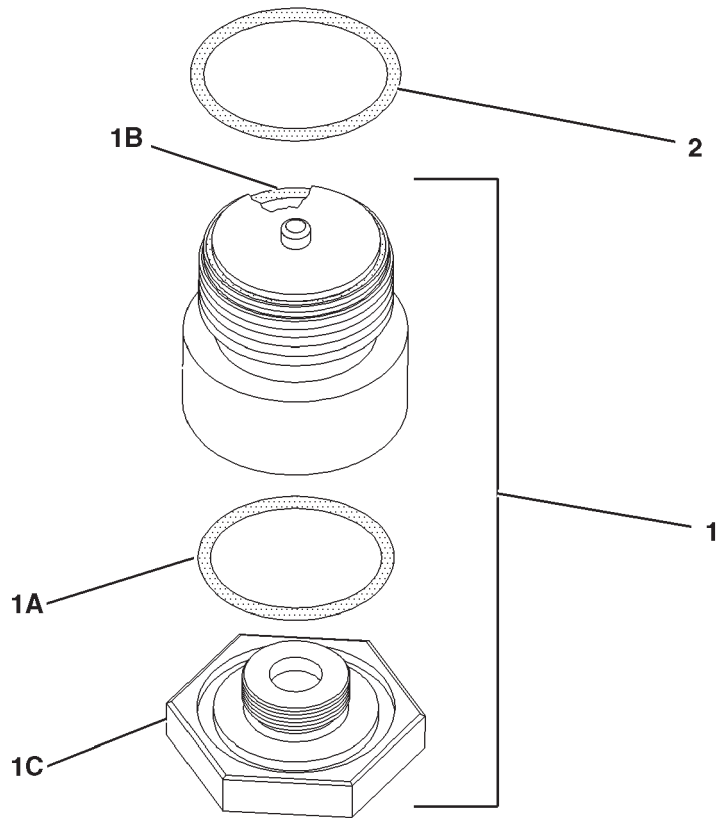
| ITEM | NUMBER | QTY | DESCRIPTION |
|------|----------|-----|-------------------|
| - | 208-3021 | - | GUARD GP-AXLE [A] |
| 1 | 185-8617 | 2 | PLATE-END |
| 2 | 205-8334 | 2 | CAP |

[A] PART OF: 179-2180; 501811D1;
502936D1 BASE COMMON AR

2083021A
PR: t05b22n43d0144

TO REAR TRANSMISSION
CASE ON MT800 TRACTORS

TO FRONT
TRANSMISSION CASE
ON MT700 TRACTORS



**MT800B SERIES TRACTORS
POWERTRAIN ATTACHING**

363

DRAIN GP-ECOLOGY - CH163-0397

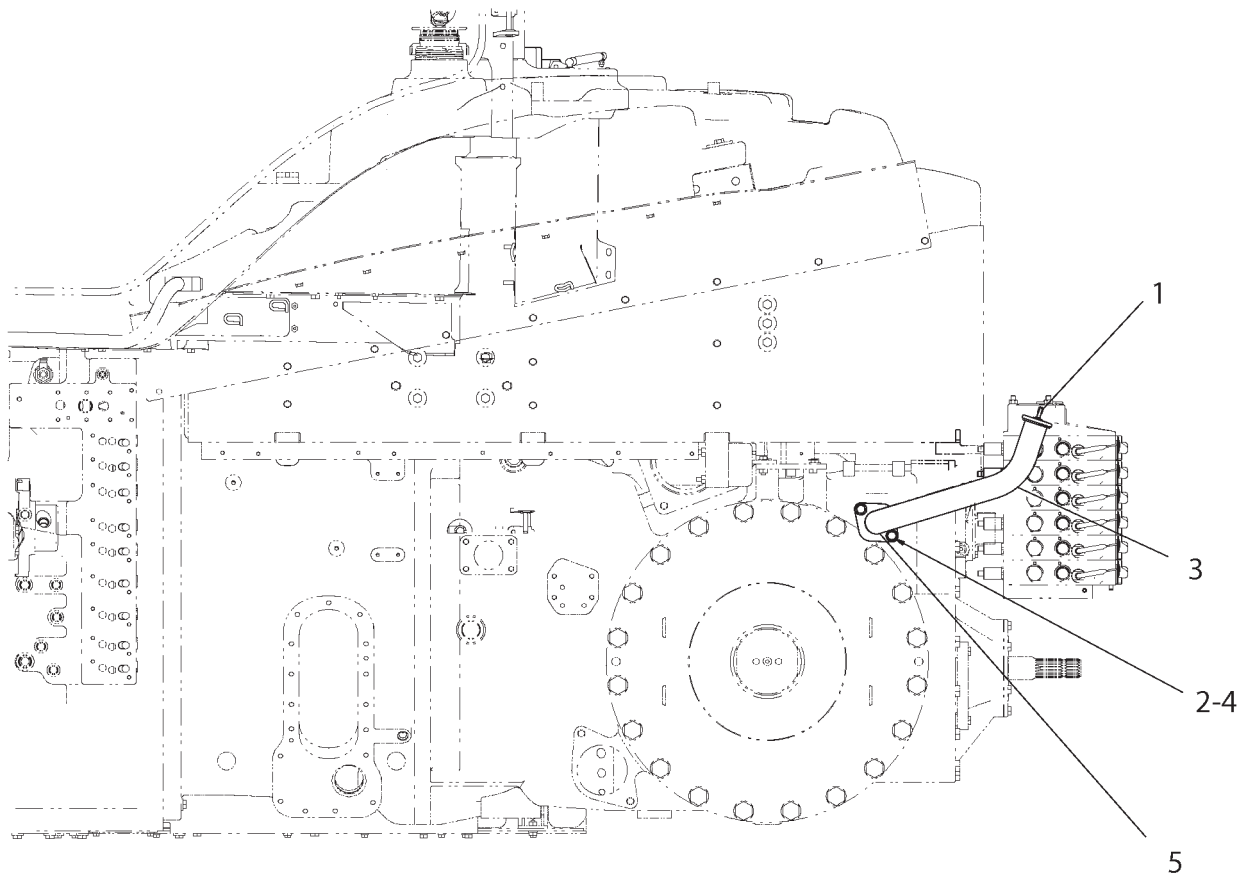
| ITEM | NUMBER | QTY | DESCRIPTION |
|------|------------|-----|-------------------------------------|
| - | CH163-0397 | - | DRAIN GP-ECOLOGY [A] (NOT SERVICED) |
| 1 | CH173-0566 | 1 | DRAIN GP-ECOLOGY (INCLS 1A-1C) |
| 1A | CH2K-8199 | 1 | SEAL-O-RING |
| 1B | CH077-3241 | 1 | SEAL-O-RING |
| 1C | CH175-4966 | 1 | PLUG (TRANSMISSION DRAIN) |
| 2 | 400376X1 | 1 | SEAL-O-RING |

[A] PART OF:
179-2180; 501811D1 BASE COMMON AR
502901D1 DRAIN GP

0883187A
PR: t05b22n43d0145

MT800B SERIES TRACTORS
POWER TRAIN ATTACHING

FILLER GP-POWER TRAIN OIL - 502498D1



502498DA

MT800B SERIES TRACTORS
POWER TRAIN ATTACHING

365

FILLER GP-POWER TRAIN OIL - 502498D1

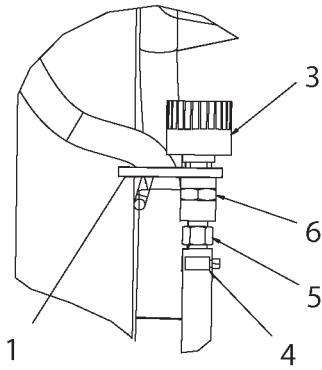
| ITEM | NUMBER | QTY | DESCRIPTION |
|------|----------|-----|---|
| - | 502498D1 | - | FILLER GP-POWER TRAIN OIL [A] (NOT SERVICED) |
| 1 | 159-1236 | 1 | CAP-BREATHER (POWER TRAIN) |
| 2 | 400055X1 | 2 | BOLT (M12X1.75X25MM) |
| 3 | 501806D1 | 1 | TUBE ASM |
| 4 | 400357X1 | 2 | WASHER-HARD (M12X25.5X3) |
| 5 | WR516365 | AR | SEALANT-GASKET 515 (50ML BOTTLE) |

[A] PART OF: 179-0851; 179-0853 HITCH AR
184-5033 CONT AR-DRAWBAR

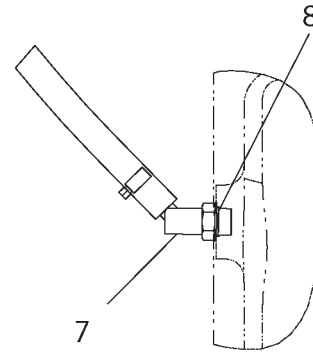
502498DA
PR: t05b22n43d0146

MT800B SERIES TRACTORS
POWER TRAIN ATTACHING

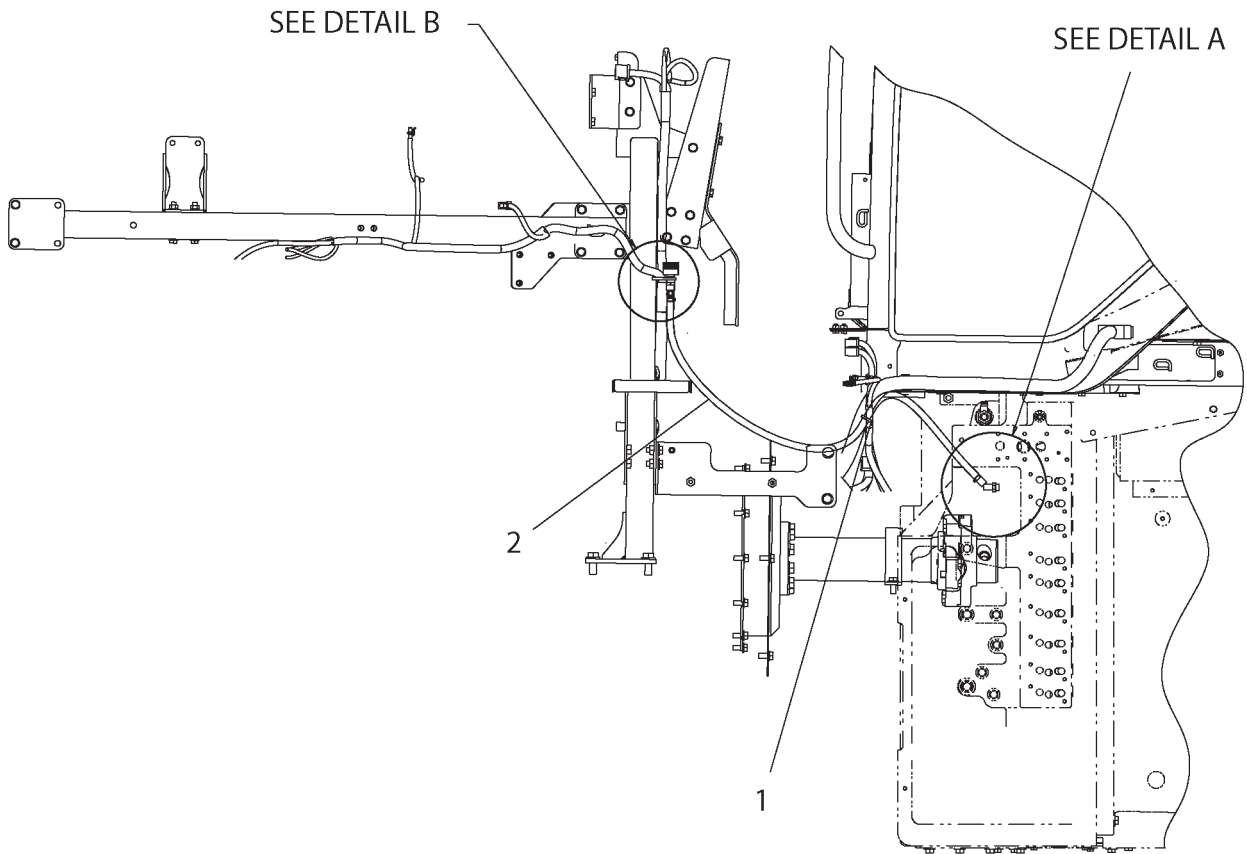
BREATHER GP-POWERTRAIN - 502496D1



DETAIL B



DETAIL A



**MT800B SERIES TRACTORS
POWERTRAIN ATTACHING**

367

BREATHER GP-POWERTRAIN - 502496D1

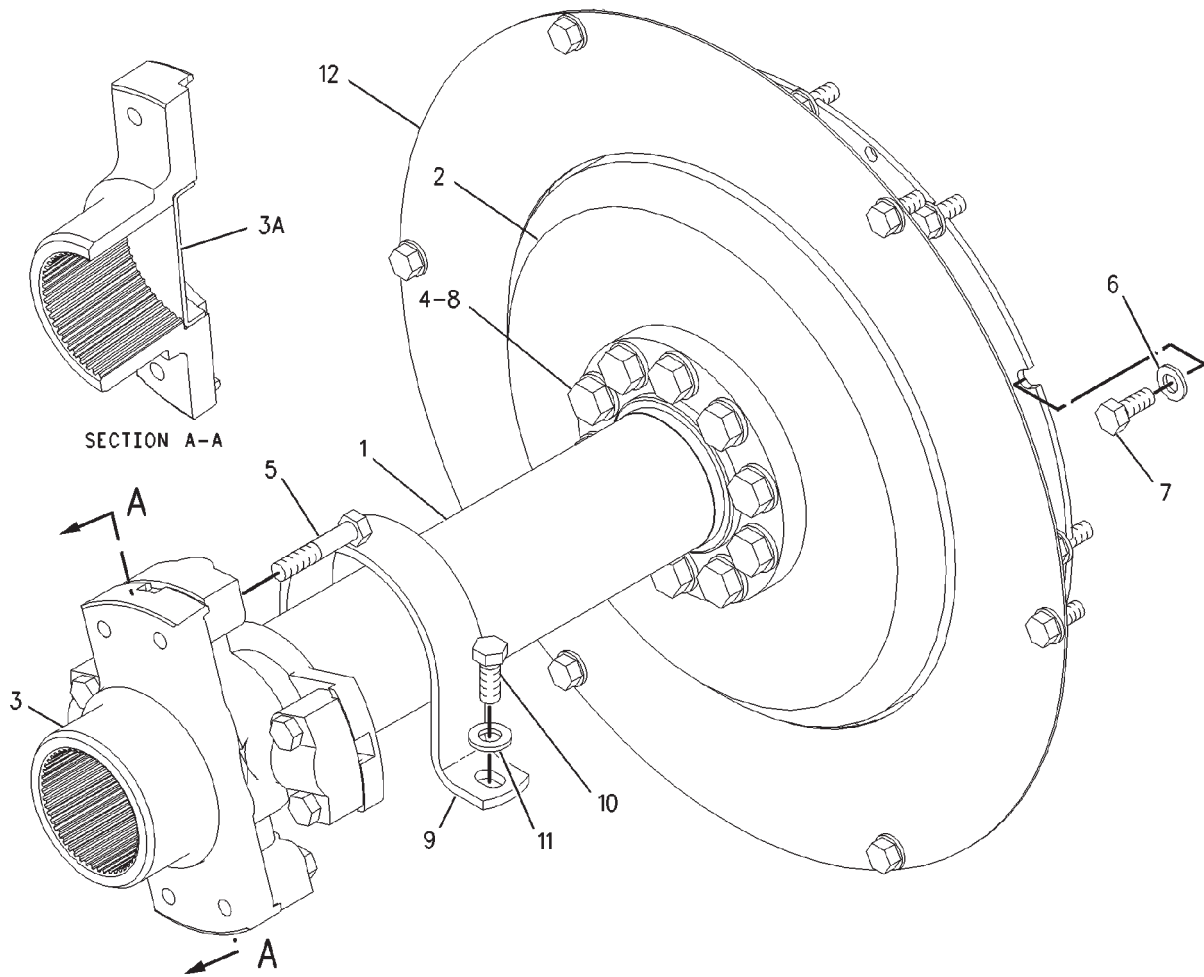
| ITEM | NUMBER | QTY | DESCRIPTION |
|------|------------|-----|--|
| - | 502496D1 | - | BREATHER GP-POWERTRAIN [A] (NOT SERVICED) |
| 1 | CH7K-1181 | 2 | STRAP-CABLE 0.19-4.00 |
| 2 | CH5P-1442 | - | HOSE-BULK 9.52ID HI TEMP (110CM) |
| 3 | 400831X1 | 1 | BREATHER-1/4-18 NPTF |
| 4 | CH1P-4278 | 2 | CLAMP-HOSE 5.5-15.88 ID X 8 |
| 5 | CH006-6586 | 1 | CONNECTOR-4NPTFX9.52 OD BARB |
| 6 | CH8S-7169 | 1 | COUPLING-4NPTF HEX |
| 7 | CH7X-1448 | 1 | ELBOW-45DEG 6STOR X 9.52 BARB |
| 8 | 400318X1 | 1 | SEAL-O-RING 11.89IDXDIA1.98 |

[A] PART OF: 501588D1; 501589D1;
501590D1; 501591D1; 501592D1;
501593D1; 501594D1; 501595D1;
501596D1; 501597D1 BASE UNIT AR;

502496DA
PR: t05b22n43d0147

MT800B SERIES TRACTORS
POWER TRAIN ATTACHING

SHAFT GP-INPUT - 163-0384



**MT800B SERIES TRACTORS
POWER TRAIN ATTACHING**

369

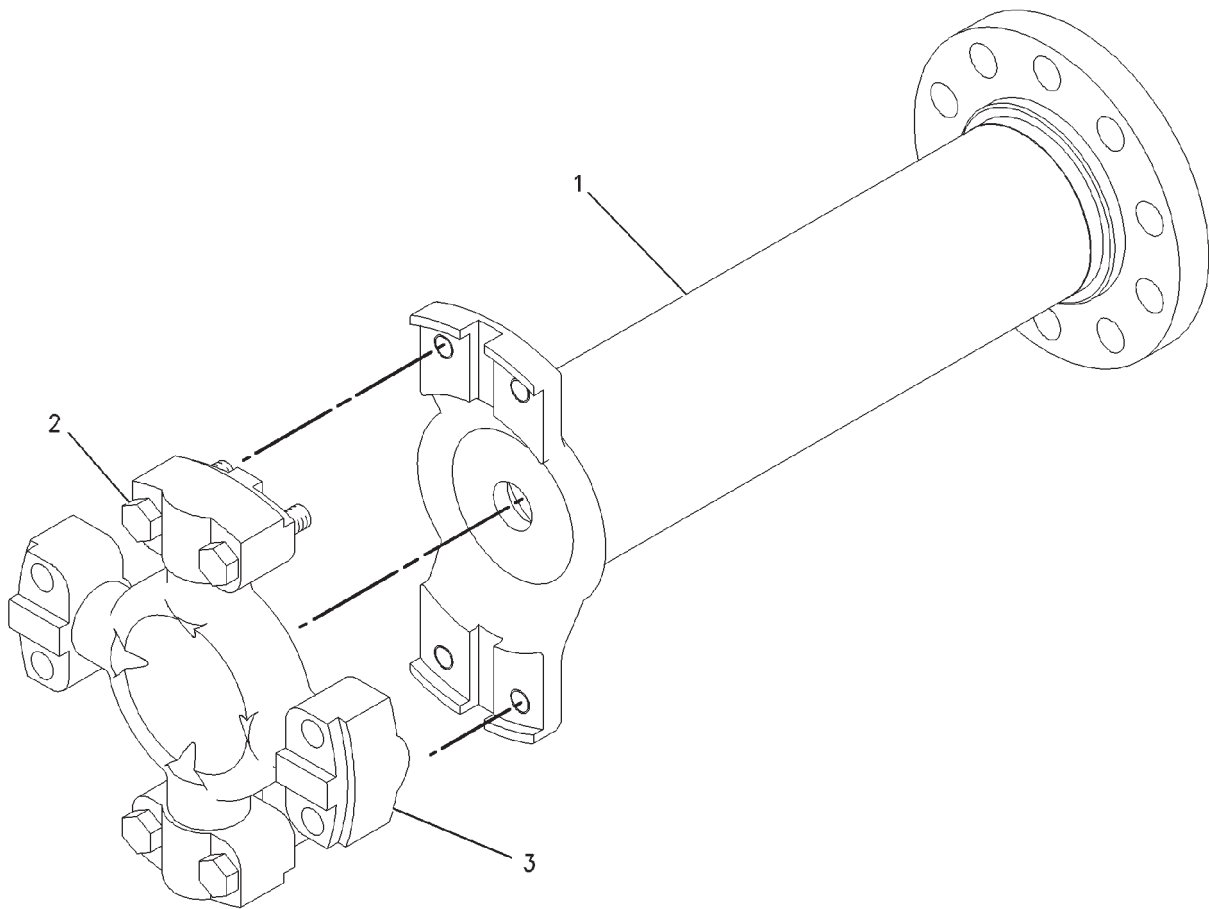
SHAFT GP-INPUT - 163-0384

| ITEM | NUMBER | QTY | DESCRIPTION |
|------|----------|-----|--|
| - | 163-0384 | - | SHAFT GP-INPUT [A] (NOT SERVICED) |
| 1 | 163-0414 | 1 | UNIVERSAL JOINT GP (SEE BREAKDOWN FOR COMPONENTS) |
| 2 | 201-9554 | 1 | COUPLING |
| 3 | 281-7719 | 1 | YOKE ASM(INCLUDES PLUG & YOKE) |
| 4 | 400244X1 | 10 | BOLT (M16X2.0X45MM) |
| 5 | 400063X1 | 4 | BOLT (M12X1.75X60MM) |
| 6 | 400358X1 | 18 | WASHER (7/16X22.5X2.5) |
| 7 | 400069X1 | 18 | BOLT (7/16-14X1 IN) |
| 8 | 400082X1 | 10 | WASHER (17.5X30X3.5) |
| 9 | 163-0425 | 1 | BRACKET |
| 10 | 400041X1 | 2 | BOLT (M12X1.75X30MM) |
| 11 | 400357X1 | 2 | WASHER-HARD (M12X25.5X3) |
| 12 | 163-0405 | 1 | COVER |

[A] PART OF 172-5363; 172-5364;
187-1743; 187-1744; 501583D1;
501584D1; 501585D1; 501586D1;
501587D1 INSTALLATION AR-ENGINE

00867568
PR: t05b22n43d0148

UNIVERSAL JOINT GP - 163-0414



**MT800B SERIES TRACTORS
POWERTRAIN ATTACHING**

371

UNIVERSAL JOINT GP - 163-0414

| ITEM | NUMBER | QTY | DESCRIPTION |
|------|-----------|-----|------------------------|
| - | 163-0414 | - | UNIVERSAL JOINT GP [A] |
| 1 | 163-0415 | 1 | TUBE |
| 2 | 400057X1 | 4 | BOLT (M12X1.75X50MM) |
| 3 | CH9P-4809 | 1 | SPIDER & BEARING AS |

[A] PART OF 163-0384 SHAFT GP-INPUT

00750174
PR: t05b22n43d0149

372

MT800B SERIES TRACTORS
POWER TRAIN

200-5027 POWER TRAIN AR - WITH PTO

NO ILLUSTRATION

NOTIF

MT800B SERIES TRACTORS
POWER TRAIN

373

200-5027 POWER TRAIN AR - WITH PTO

| ITEM | NUMBER | QTY | DESCRIPTION |
|------|----------|-----|---|
| - | 200-5027 | - | POWER TRAIN AR (NOT SERVICED) |
| | 185-3955 | 1 | AXLE AR (NOT SERVICED) (SEE BREAKDOWN FOR COMPONENTS) |
| | 211-8277 | 1 | FASTENER GP-FINAL DRIVE (NOT SERVICED) (SEE BREAKDOWN FOR COMPONENTS) |
| | 152-5242 | 1 | TRANSMISSION AR (SEE BREAKDOWN FOR COMPONENTS) |

NOTIF
PR: t05b22n43d0150

374

MT800B SERIES TRACTORS
POWER TRAIN

200-5028 POWER TRAIN AR - WITH PTO

NO ILLUSTRATION

NOTIF

MT800B SERIES TRACTORS
POWER TRAIN

375

200-5028 POWER TRAIN AR - WITH PTO

| ITEM | NUMBER | QTY | DESCRIPTION |
|------|----------|-----|---|
| - | 200-5028 | - | POWER TRAIN AR (NOT SERVICED) |
| | 185-3956 | 1 | AXLE AR (NOT SERVICED) (SEE BREAKDOWN FOR COMPONENTS) |
| | 211-8277 | 1 | FASTENER GP-FINAL DRIVE (NOT SERVICED) (SEE BREAKDOWN FOR COMPONENTS) |
| | 152-5242 | 1 | TRANSMISSION AR (SEE BREAKDOWN FOR COMPONENTS) |

NOTIF
PR: t05b22n43d0151

376

MT800B SERIES TRACTORS
POWER TRAIN

200-5029 POWER TRAIN AR - W/ PTO

NO ILLUSTRATION

NOTIF

MT800B SERIES TRACTORS
POWER TRAIN

377

200-5029 POWER TRAIN AR - W/ PTO

| ITEM | NUMBER | QTY | DESCRIPTION |
|------|----------|-----|--|
| - | 200-5029 | - | POWER TRAIN AR (NOT SERVICED) |
| | 185-3957 | 1 | AXLE AR (NOT SERVICED) (SEE BREAKDOWN FOR COMPONENTS) |
| | 211-8277 | 1 | FASTENER GP-FINAL DRIVE (NOT SERVICED) (SEE BREAKDOWN FOR COMPONENTS) |
| | 152-5242 | 1 | TRANSMISSION AR (SEE BREAKDOWN FOR COMPONENTS) |

NOTIF
PR: t05b22n43d0152

378

MT800B SERIES TRACTORS
POWER TRAIN

200-5030 POWER TRAIN AR WITHOUT PTO

NO ILLUSTRATION

NOTIF

MT800B SERIES TRACTORS
POWER TRAIN

379

200-5030 POWER TRAIN AR WITHOUT PTO

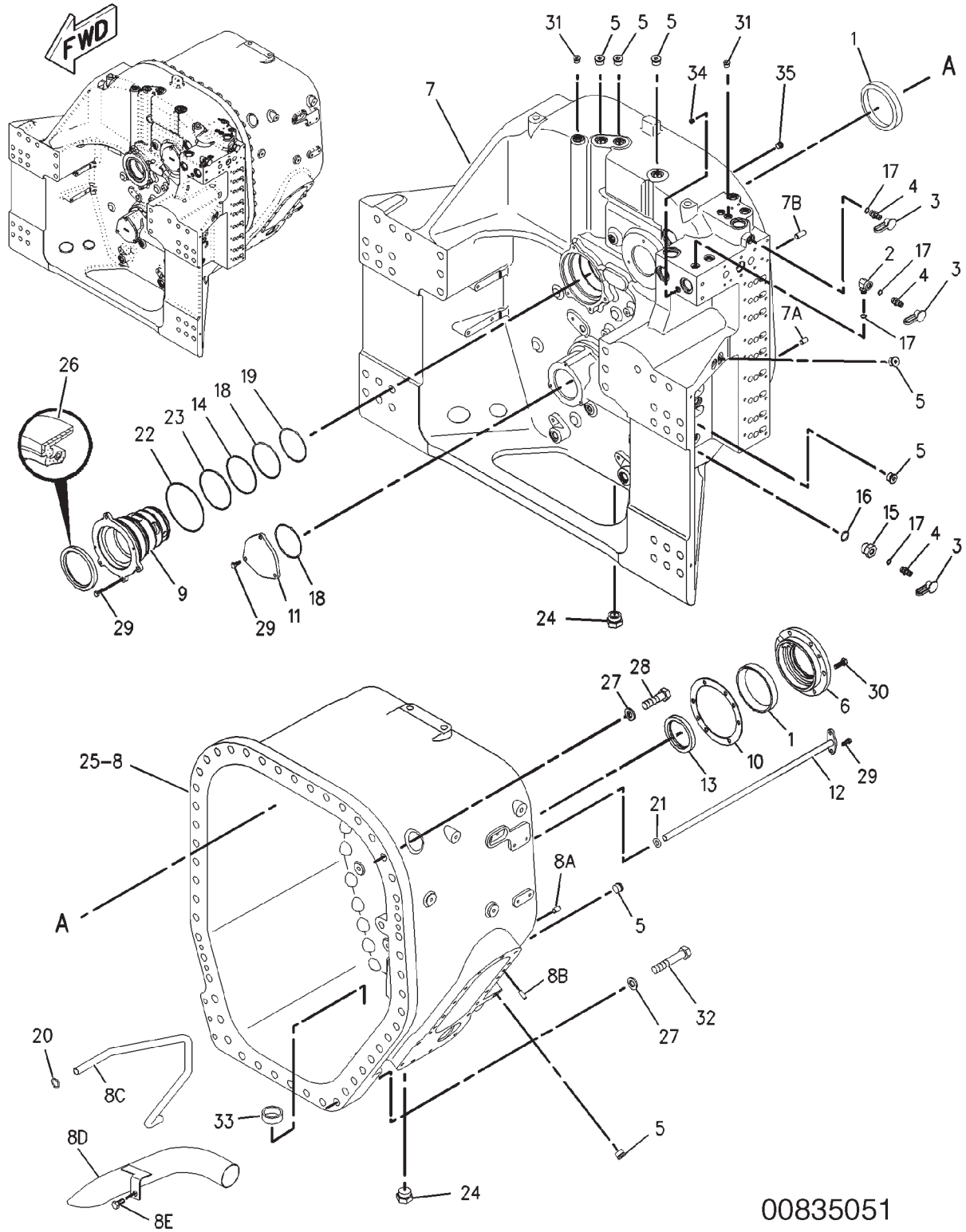
| ITEM | NUMBER | QTY | DESCRIPTION |
|------|----------|-----|--|
| - | 200-5030 | - | POWER TRAIN AR (NOT SERVICED) |
| | 185-3958 | 1 | AXLE AR (NOT SERVICED) [N] (SEE BREAKDOWN FOR COMPONENTS) |
| | 211-8277 | 1 | FASTENER GP-FINAL DRIVE (NOT SERVICED) (SEE BREAKDOWN FOR COMPONENTS) |
| | 152-5242 | 1 | TRANSMISSION AR [N] (SEE BREAKDOWN FOR COMPONENTS) |

[N] NEW PART

NOTIF
PR: t05b22n43d0153

MT800B SERIES TRACTORS
POWER TRAIN

155-9579 CASE & PARTS GP-PLANETARY
S/N: 9YY1-950



00835051

**MT800B SERIES TRACTORS
POWER TRAIN**

381

**155-9579 CASE & PARTS GP-PLANETARY
S/N: 9YY1-950**

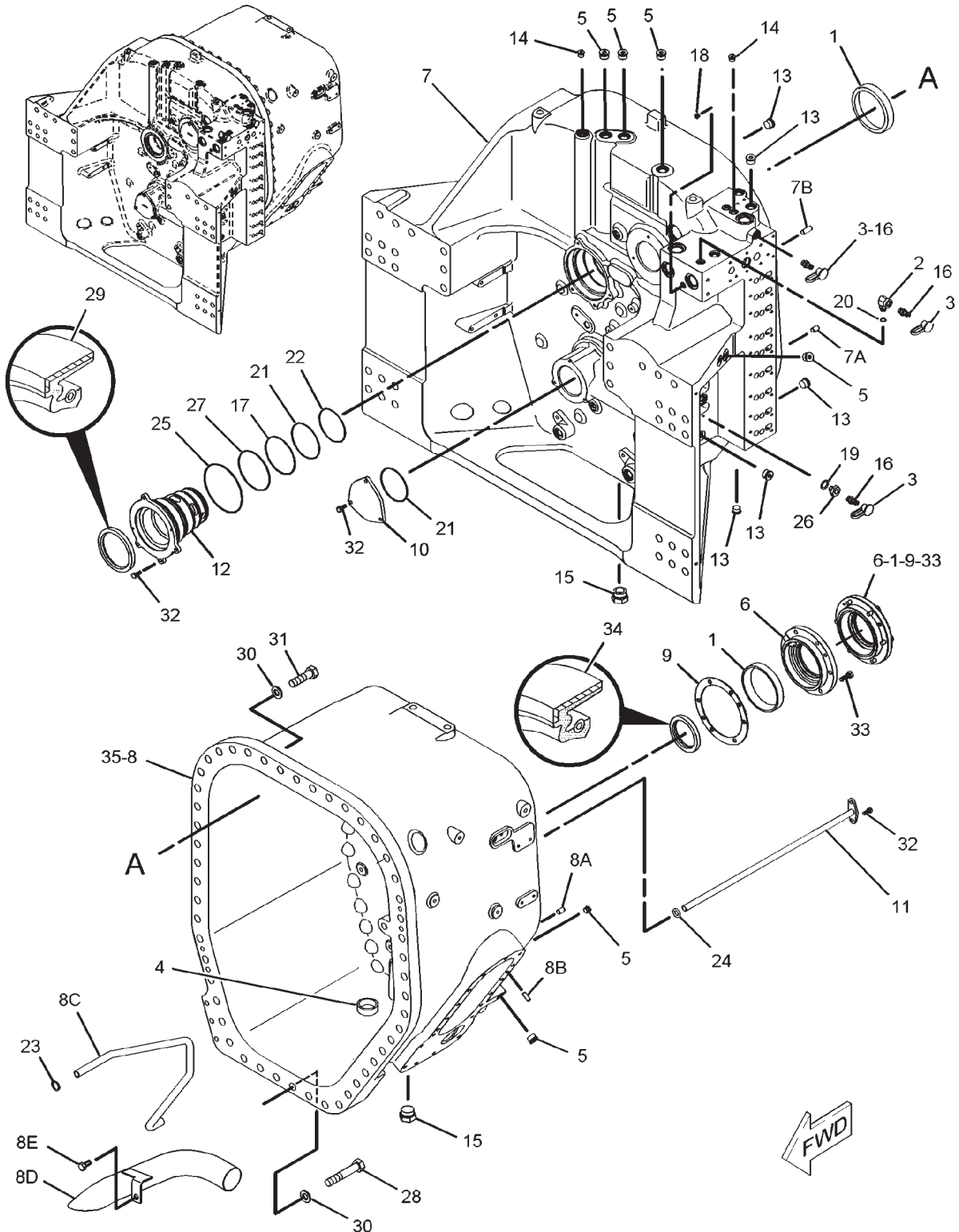
| ITEM | NUMBER | QTY | DESCRIPTION |
|------|----------|-----|---|
| - | 155-9579 | - | CASE & PARTS GP-PLANETARY [A] (NOT SERVICED) |
| 1 | 6F-2956 | 8 | CUP-BEARING |
| 2 | 6V-0484 | 1 | ADAPTER-O-RING |
| 3 | 6V-0852 | 3 | CAP-DUST |
| 4 | 6V-3965 | 3 | FITTING AS |
| 5 | 9S-8006 | 7 | PLUG |
| | 2M-9780 | 7 | SEAL-O-RING |
| 6 | 177-6741 | 4 | CAGE-BEARING |
| 7 | 177-6774 | 1 | CASE AS (FRONT) |
| | 211-2731 | 1 | TUBE |
| 7A | 3F-0957 | 2 | DOWEL |
| 7B | 5M-7937 | 2 | DOWEL |
| 8 | 177-6775 | 1 | CASE AS (REAR) |
| 8A | 3F-0957 | 2 | DOWEL |
| 8B | 5B-5821 | 2 | DOWEL |
| 8C | 177-6800 | 1 | TUBE |
| 8D | 161-8222 | 1 | TUBE AS |
| 8E | 6A-5591 | 1 | BOLT (M12X1.75X25-MM) |
| 9 | 232-0345 | 1 | HOUSING |
| 10 | 187-1376 | 4 | SHIM PACK (INCLUDES 13-SHIMS) |
| 11 | 188-2162 | 3 | COVER |
| 12 | 188-9912 | 1 | TUBE AS |
| 13 | 9X-7719 | 1 | SEAL-LIP TYPE |
| 14 | 1T-1068 | 1 | SEAL-O-RING |
| 15 | 2P-8421 | 1 | ADAPTER-O-RING |
| 16 | 3D-2824 | 1 | SEAL-O-RING |
| 17 | 3J-1907 | 4 | SEAL-O-RING |
| 18 | 3K-0715 | 4 | SEAL-O-RING |
| 19 | 4F-4097 | 1 | SEAL-O-RING |
| 20 | 4J-8996 | 1 | SEAL-O-RING |
| 21 | 5H-8038 | 1 | SEAL-O-RING |
| 22 | 5J-3886 | 1 | SEAL-O-RING |
| 23 | 6S-3002 | 1 | SEAL-O-RING |
| 24 | 9S-4181 | 2 | PLUG |
| | 7M-8485 | 2 | SEAL-O-RING |
| 25 | 1U-8846 | AR | SEALANT-GASKET |
| 26 | 8C-3075 | 1 | SEAL-LIP TYPE |
| 27 | 8T-4123 | 50 | WASHER-PLATED (22X35X3.5-MM THK) |
| 28 | 8T-4141 | 38 | BOLT (M20X2.5X70-MM) |
| 29 | 8T-4189 | 15 | BOLT (M8X1.25X20-MM) |
| 30 | 8T-4195 | 24 | BOLT (M10X1.5X30-MM) |
| 31 | 9S-8004 | 2 | PLUG |
| | 3J-1907 | 2 | SEAL-O-RING |
| 32 | 7X-2566 | 12 | BOLT (M20X2.5X110-MM) |
| 33 | 8M-7160 | 1 | MAGNET |
| 34 | 7J-0204 | 1 | SEAL-O-RING |
| | 9S-8007 | 1 | PLUG |
| 35 | 3K-0360 | 16 | SEAL-O-RING |
| | 9S-8005 | 16 | PLUG |

[A] PART OF 152-5242 TRANSMISSION AR

00835051
PR: t05b22n43d0154

MT800B SERIES TRACTORS
POWER TRAIN

155-9579 CASE & PARTS GP-PLANETARY
S/N: 9YY951-UP



01119596

MT800B SERIES TRACTORS
POWER TRAIN

383

155-9579 CASE & PARTS GP-PLANETARY
S/N: 9YY951-UP

| ITEM | NUMBER | QTY | DESCRIPTION |
|------|----------|-----|---|
| - | 155-9579 | - | CASE & PARTS GP-PLANETARY [A] (NOT SERVICED) |
| 1 | 6F-2956 | 8 | CUP-BEARING |
| 2 | 6V-0484 | 1 | ADAPTER-O-RING |
| 3 | 6V-0852 | 3 | CAP-DUST |
| 4 | 8M-7160 | 1 | MAGNET |
| 5 | 164-5619 | 6 | PLUG AS |
| | 9S-8006 | 1 | PLUG |
| | 2M-9780 | 1 | SEAL-O-RING |
| 6 | 177-6741 | 4 | CAGE-BEARING |
| 7 | 177-6774 | 1 | CASE AS (FRONT) |
| | 211-2731 | 1 | TUBE |
| 7A | 3F-0957 | 2 | DOWEL |
| 7B | 5M-7937 | 2 | DOWEL |
| 8 | 177-6775 | 1 | CASE AS (REAR) |
| 8A | 3F-0957 | 2 | DOWEL |
| 8B | 5B-5821 | 2 | DOWEL |
| 8C | 177-6800 | 1 | TUBE |
| 8D | 161-8222 | 1 | TUBE AS |
| 8E | 6A-5591 | 1 | BOLT (M12X1.75X25-MM) |
| 9 | 187-1376 | 4 | SHIM PACK (INCLUDES 13-SHIMS) |
| 10 | 188-2162 | 3 | COVER |
| 11 | 188-9912 | 1 | TUBE AS |
| 12 | 232-0345 | 1 | HOUSING-SEAL |
| 13 | 148-8395 | 16 | PLUG AS (NOT SERVICED) |
| | 3K-0360 | 1 | SEAL-O-RING |
| | 9S-8005 | 1 | PLUG |
| 14 | 162-0177 | 2 | PLUG AS |
| | 9S-8004 | 1 | PLUG |
| | 3J-1907 | 1 | SEAL-O-RING |
| 15 | 164-4180 | 2 | PLUG AS |
| | 9S-4181 | 1 | PLUG |
| | 7M-8485 | 1 | SEAL-O-RING |
| 16 | 164-5567 | 3 | FITTING GP-COUPLING |
| | 3J-1907 | 1 | SEAL-O-RING |
| | 6V-3965 | 1 | FITTING AS |
| 17 | 1T-1068 | 1 | SEAL-O-RING |
| 18 | 207-8218 | 1 | PLUG AS (NOT SERVICED) |
| | 7J-0204 | 1 | SEAL-O-RING |
| | 9S-8007 | 1 | PLUG |
| 19 | 2M-9780 | 1 | SEAL-O-RING |
| 20 | 3J-1907 | 1 | SEAL-O-RING |
| 21 | 3K-0715 | 4 | SEAL-O-RING |
| 22 | 4F-4097 | 1 | SEAL-O-RING |
| 23 | 4J-8996 | 1 | SEAL-O-RING |
| 24 | 5H-8038 | 1 | SEAL-O-RING |
| 25 | 5J-3886 | 1 | SEAL-O-RING |

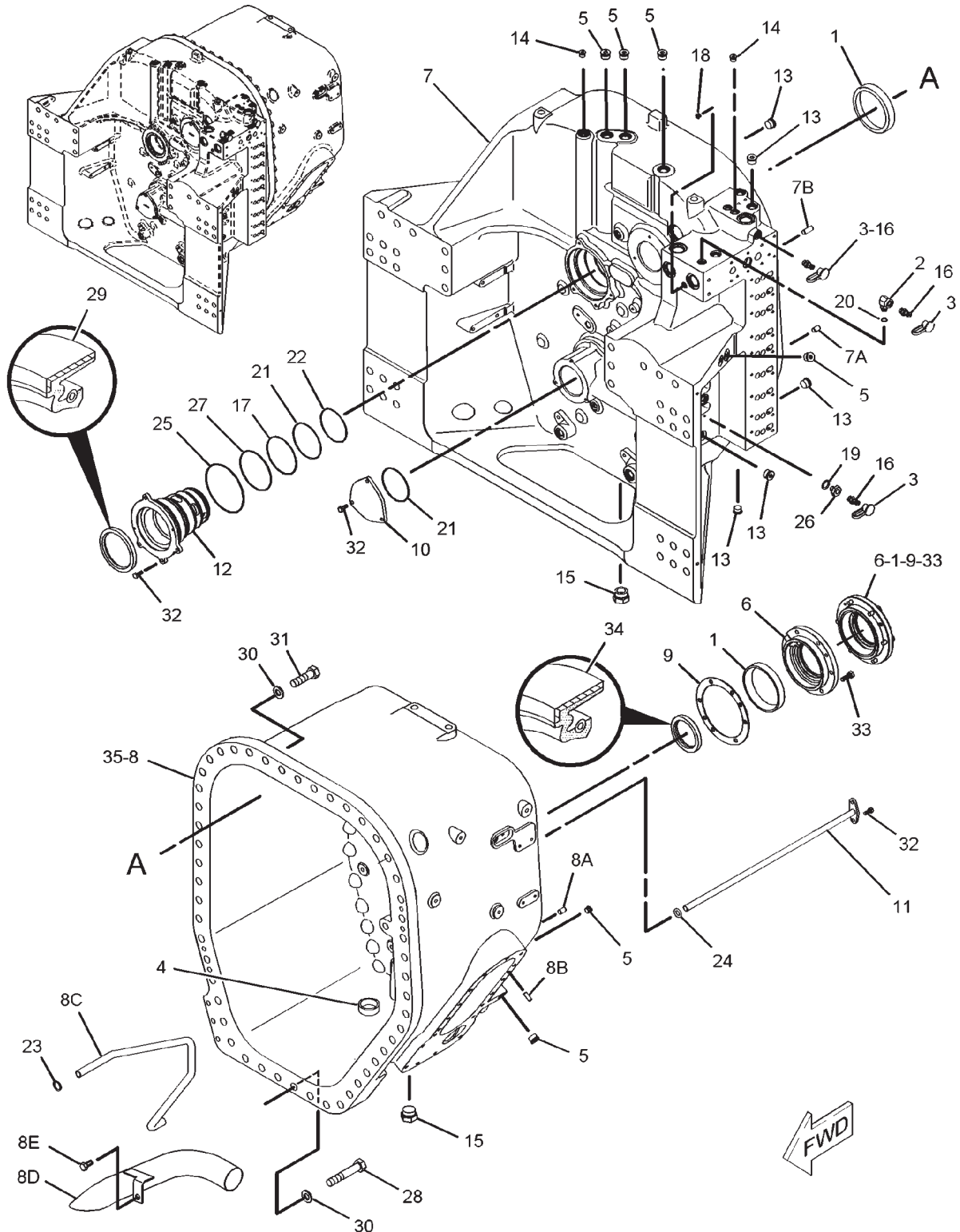
CONTINUED

[A] PART OF 152-5242 TRANSMISSION AR

01119596
PR: t05b22n43d0155

MT800B SERIES TRACTORS
POWER TRAIN

155-9579 CASE & PARTS GP-PLANETARY
S/N: 9YY951-UP



01119596

MT800B SERIES TRACTORS
POWER TRAIN

385

155-9579 CASE & PARTS GP-PLANETARY
S/N: 9YY951-UP

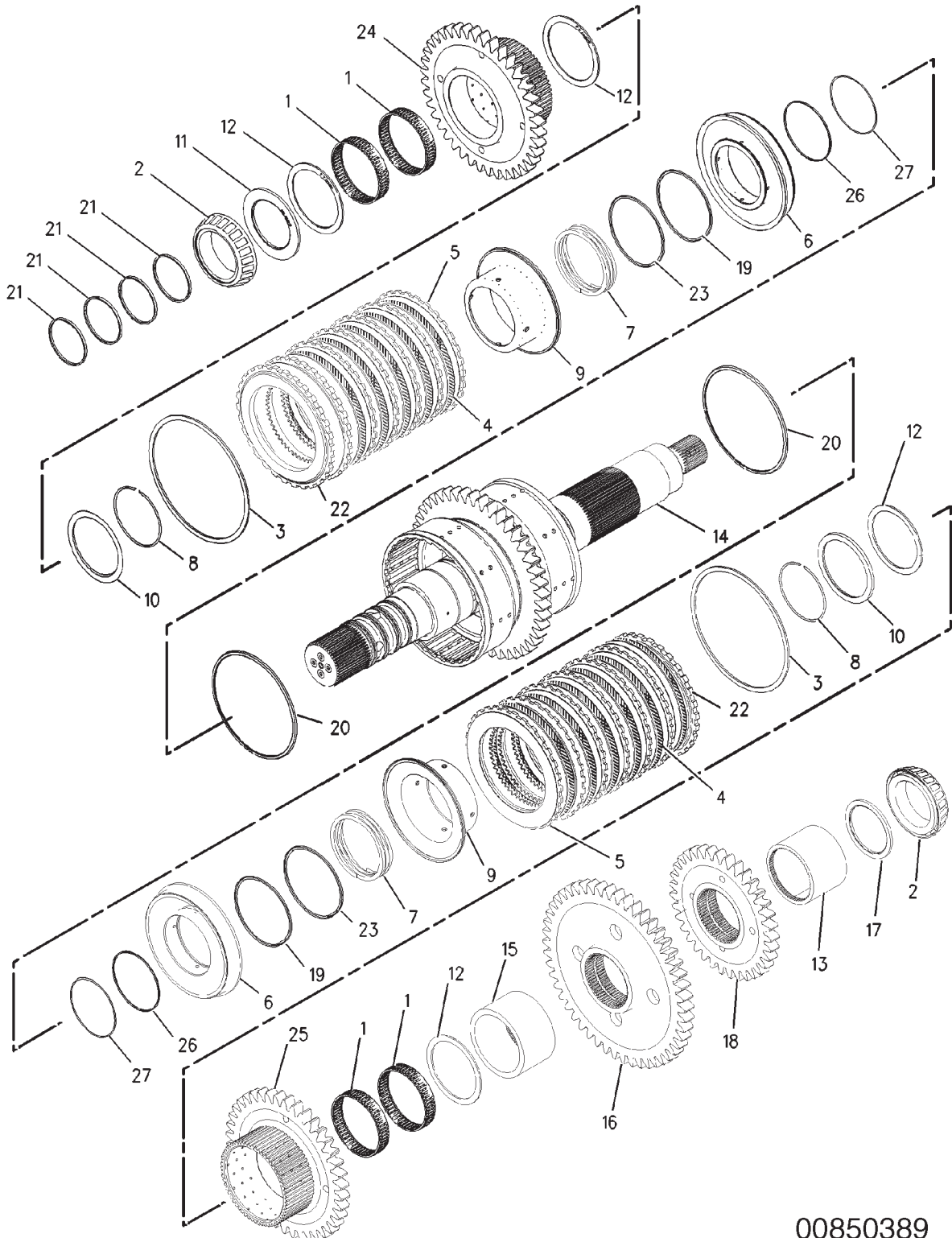
| ITEM | NUMBER | QTY | DESCRIPTION |
|------|----------|-----|--|
| - | 155-9579 | - | CASE & PARTS GP-PLANETARY[A] (NOT SERVICED) |
| 26 | 5P-1404 | 1 | ADAPTER-O-RING |
| 27 | 6S-3002 | 1 | SEAL-O-RING |
| 28 | 7X-2566 | 12 | BOLT (M20X2.5X110-MM) |
| 29 | 8C-3075 | 1 | SEAL-LIP TYPE |
| 30 | 8T-4123 | 50 | WASHER-PLATED (22X35X3.5-MM THK) |
| 31 | 8T-4141 | 38 | BOLT (M20X2.5X70-MM) |
| 32 | 8T-4189 | 14 | BOLT (M8X1.25X20-MM) |
| 33 | 8T-4195 | 24 | BOLT (M10X1.5X30-MM) |
| 34 | 9X-7719 | 1 | SEAL-LIP TYPE |
| 35 | 1U-8846 | AR | SEALANT-GASKET |

[A] PART OF 152-5242 TRANSMISSION AR

01119596
PR: t05b22n43d0155

MT800B SERIES TRACTORS POWER TRAIN

155-9571 CLUTCH GP-INPUT S/N: 9YY1-1465



00850389

MT800B SERIES TRACTORS
POWER TRAIN

387

155-9571 CLUTCH GP-INPUT
S/N: 9YY1-1465

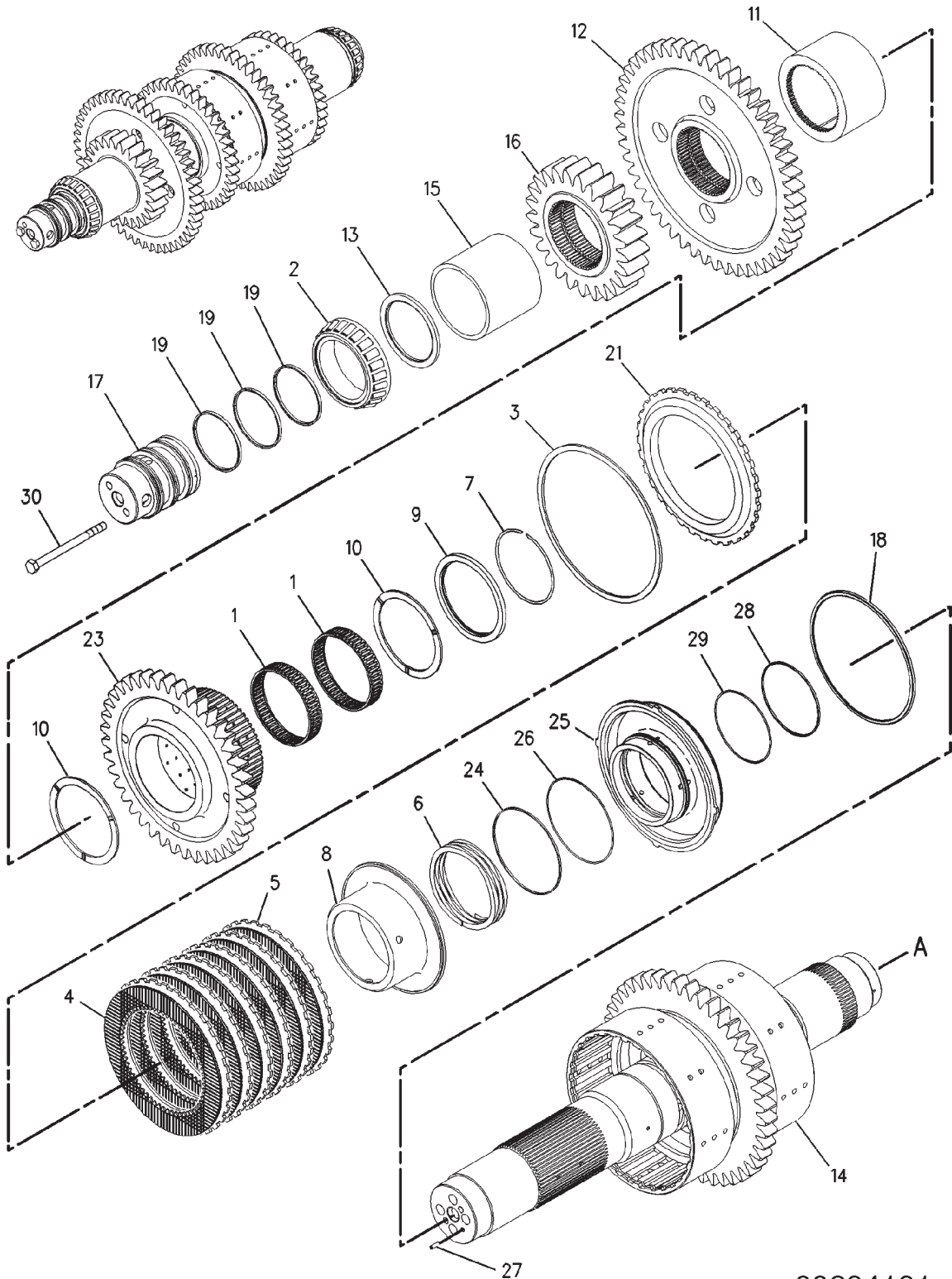
| ITEM | NUMBER | QTY | DESCRIPTION |
|------|----------|-----|---------------------------------------|
| - | 155-9571 | - | CLUTCH GP-INPUT [A] (NOT SERVICED) |
| 1 | 177-5236 | 4 | BEARING |
| 2 | 6V-0347 | 2 | CONE-BEARING |
| 3 | 4D-7889 | 2 | RING |
| 4 | 134-8360 | 12 | DISC-FRICTION |
| 5 | 134-8361 | 12 | PLATE-CLUTCH |
| 6 | 203-2631 | 2 | PISTON |
| 7 | 173-5392 | 2 | SPRING |
| 8 | 177-5241 | 2 | RING-RETAINING |
| 9 | 177-5243 | 2 | SEAL AS |
| 10 | 177-5246 | 2 | RING-SPACER |
| 11 | 177-5248 | 1 | SPACER (86.25X126X5MM THK) |
| 12 | 177-5249 | 4 | DISC-THRUST |
| 13 | 177-5250 | 1 | SPACER |
| 14 | 177-5252 | 1 | SHAFT AS (45 TEETH) |
| 15 | 177-5256 | 1 | SPACER |
| 16 | 177-5257 | 1 | GEAR (50 TEETH) |
| 17 | 177-5258 | 1 | SPACER (86.3X106X5MM THK) |
| 18 | 177-5260 | 1 | GEAR (35 TEETH) |
| 19 | 200-3039 | 2 | RING-SEAL (EXTERNAL) |
| 20 | 177-6797 | 2 | RING-SEAL (EXTERNAL) |
| 21 | 177-6801 | 4 | RING-SEAL |
| 22 | 177-6804 | 2 | PLATE-END |
| 23 | 199-9240 | 2 | SEAL-O-RING |
| 24 | 191-0426 | 1 | GEAR (35 TEETH) |
| 25 | 191-0427 | 1 | GEAR (40 TEETH) |
| 26 | 7T-5594 | 2 | RING-SEAL |
| 27 | 8T-2572 | 2 | SEAL-O-RING |

[A] PART OF 152-5242 TRANSMISSION AR

00850389
PR: t05b22n43d0156

MT800B SERIES TRACTORS
POWER TRAIN

155-9572 CLUTCH GP-INTERMEDIATE SHAFT
S/N: 9YY1-1465



00894191

MT800B SERIES TRACTORS
POWER TRAIN

389

155-9572 CLUTCH GP-INTERMEDIATE SHAFT
S/N: 9YY1-1465

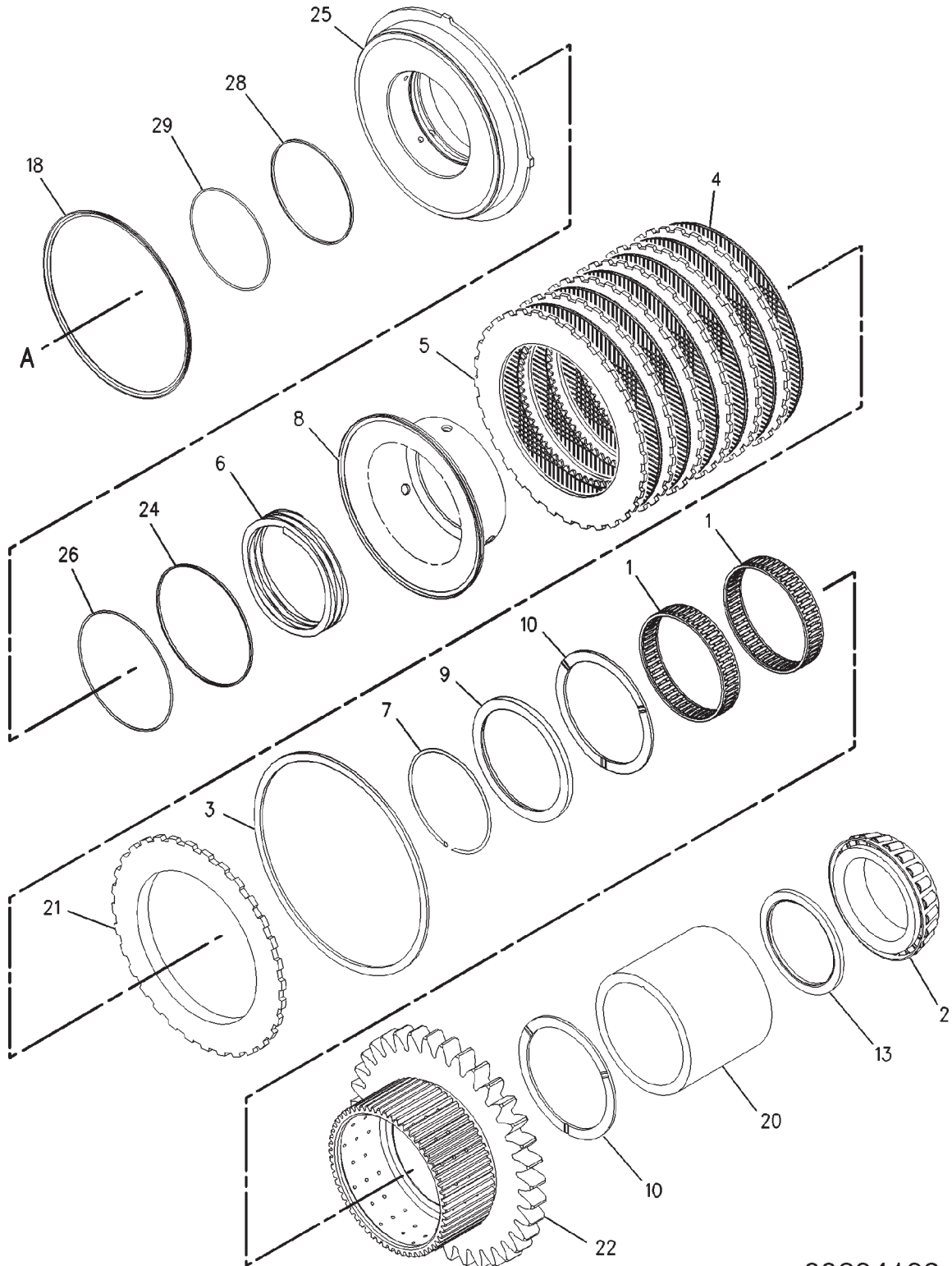
| ITEM | NUMBER | QTY | DESCRIPTION |
|------|----------|-----|--|
| - | 155-9572 | - | CLUTCH GP-INTERMEDIATE SHAFT [A] (NOT SERVICED) |
| 1 | 177-5236 | 2 | BEARING |
| 2 | 6V-0347 | 1 | CONE-BEARING |
| 3 | 4D-7889 | 1 | RING |
| 4 | 134-8360 | 6 | DISC-FRICTION |
| 5 | 134-8361 | 6 | PLATE-CLUTCH |
| 6 | 173-5392 | 1 | SPRING |
| 7 | 177-5241 | 1 | RING-RETAINING |
| 8 | 177-5243 | 1 | SEAL AS |
| 9 | 177-5246 | 1 | RING-SPACER |
| 10 | 177-5249 | 2 | DISC-THRUST |
| 11 | 177-5256 | 1 | SPACER |
| 12 | 177-5257 | 1 | GEAR (50-TEETH) |
| 13 | 177-5258 | 1 | SPACER (86.3X106X5-MM THK) |
| 14 | 240-5529 | 1 | SHAFT AS |
| 15 | 177-5263 | 1 | SPACER |
| 16 | 177-5265 | 1 | GEAR (25-TEETH) |
| 17 | 177-5267 | 1 | CARRIER-SEAL |
| 18 | 177-6797 | 1 | RING-SEAL |
| 19 | 177-6801 | 3 | RING-SEAL |
| 21 | 177-6804 | 1 | PLATE-END |
| 23 | 191-0427 | 1 | GEAR (40-TEETH) |
| 24 | 200-3039 | 1 | RING-SEAL |
| 25 | 203-2631 | 1 | PISTON |
| 26 | 199-9240 | 1 | SEAL-O-RING |
| 27 | 5H-8985 | 1 | PIN-SPRING |
| 28 | 7T-5594 | 1 | RING-SEAL |
| 29 | 8T-2572 | 1 | SEAL-O-RING |
| 30 | 8T-5436 | 2 | BOLT (M10X1.5X130-MM) |

[A] PART OF 152-5242 TRANSMISSION AR

00894191
PR: t05b22n43d0157

MT800B SERIES TRACTORS
POWER TRAIN

155-9572 CLUTCH GP-INTERMEDIATE SHAFT
S/N: 9YY1-1465



MT800B SERIES TRACTORS
POWER TRAIN

391

155-9572 CLUTCH GP-INTERMEDIATE SHAFT
S/N: 9YY1-1465

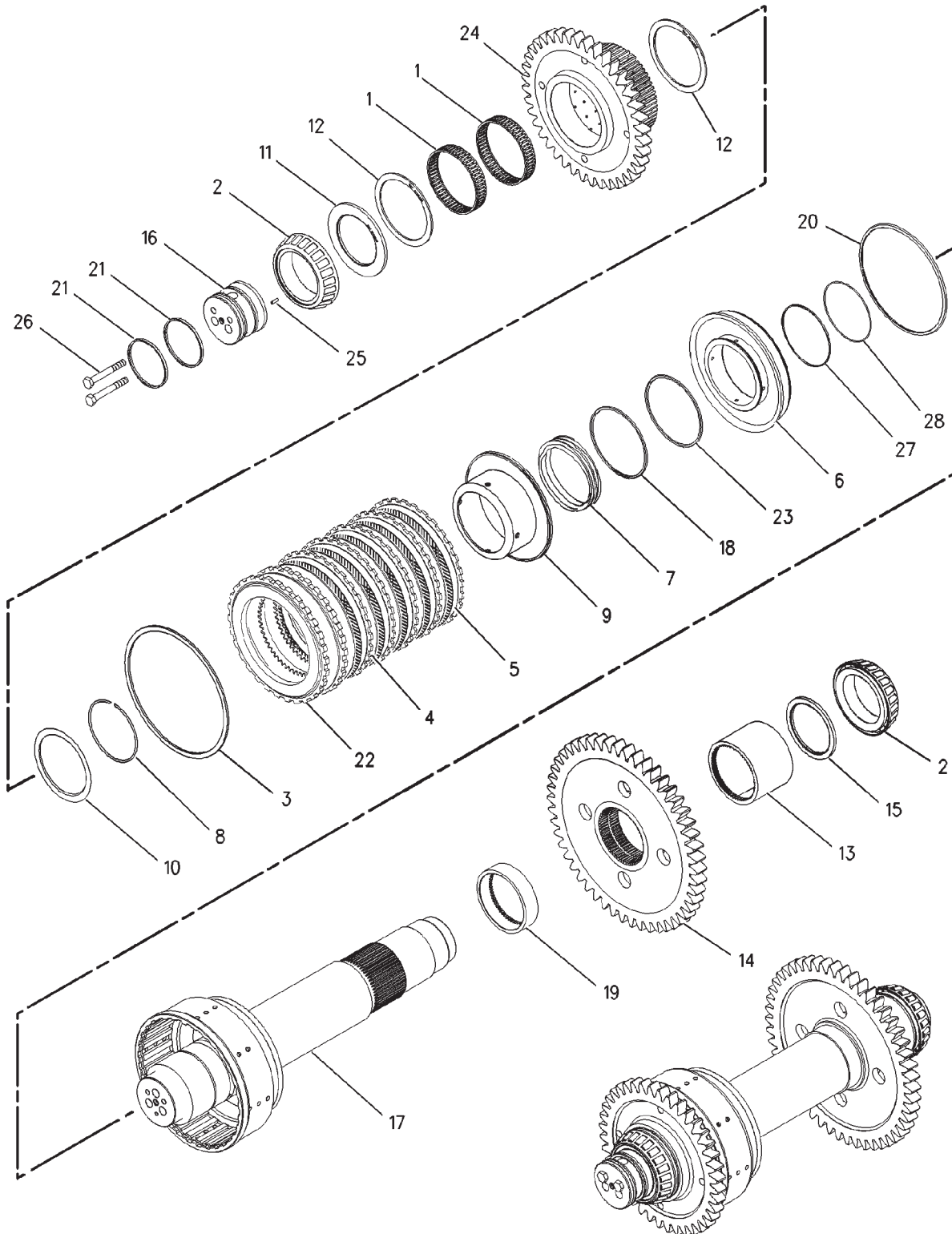
| ITEM | NUMBER | QTY | DESCRIPTION |
|------|----------|-----|--|
| - | 155-9572 | - | CLUTCH GP-INTERMEDIATE SHAFT [A] (NOT SERVICED) |
| 1 | 177-5236 | 2 | BEARING |
| 2 | 6V-0347 | 1 | CONE-BEARING |
| 3 | 4D-7889 | 1 | RING |
| 4 | 134-8360 | 6 | DISC-FRICTION |
| 5 | 134-8361 | 6 | PLATE-CLUTCH |
| 6 | 173-5392 | 1 | SPRING |
| 7 | 177-5241 | 1 | RING-RETAINING |
| 8 | 177-5243 | 1 | SEAL AS |
| 9 | 177-5246 | 1 | RING-SPACER |
| 10 | 177-5249 | 2 | DISC-THRUST |
| 13 | 177-5258 | 1 | SPACER (86.3X106X5-MM THK) |
| 18 | 177-6797 | 1 | RING-SEAL |
| 20 | 177-6802 | 1 | SPACER |
| 21 | 177-6804 | 1 | PLATE-END |
| 22 | 191-0426 | 1 | GEAR (35-TEETH) |
| 24 | 200-3039 | 1 | RING-SEAL |
| 25 | 203-2631 | 1 | PISTON |
| 26 | 199-9240 | 1 | SEAL-O-RING |
| 28 | 7T-5594 | 1 | RING-SEAL |
| 29 | 8T-2572 | 1 | SEAL-O-RING |

[A] PART OF 152-5242 TRANSMISSION AR

00894192
PR: t05b22n43d0158

MT800B SERIES TRACTORS
POWER TRAIN

155-9575 CLUTCH GP-REVERSE
S/N: 9YY1-UP



00875690

MT800B SERIES TRACTORS
POWER TRAIN

393

155-9575 CLUTCH GP-REVERSE
S/N: 9YY1-UP

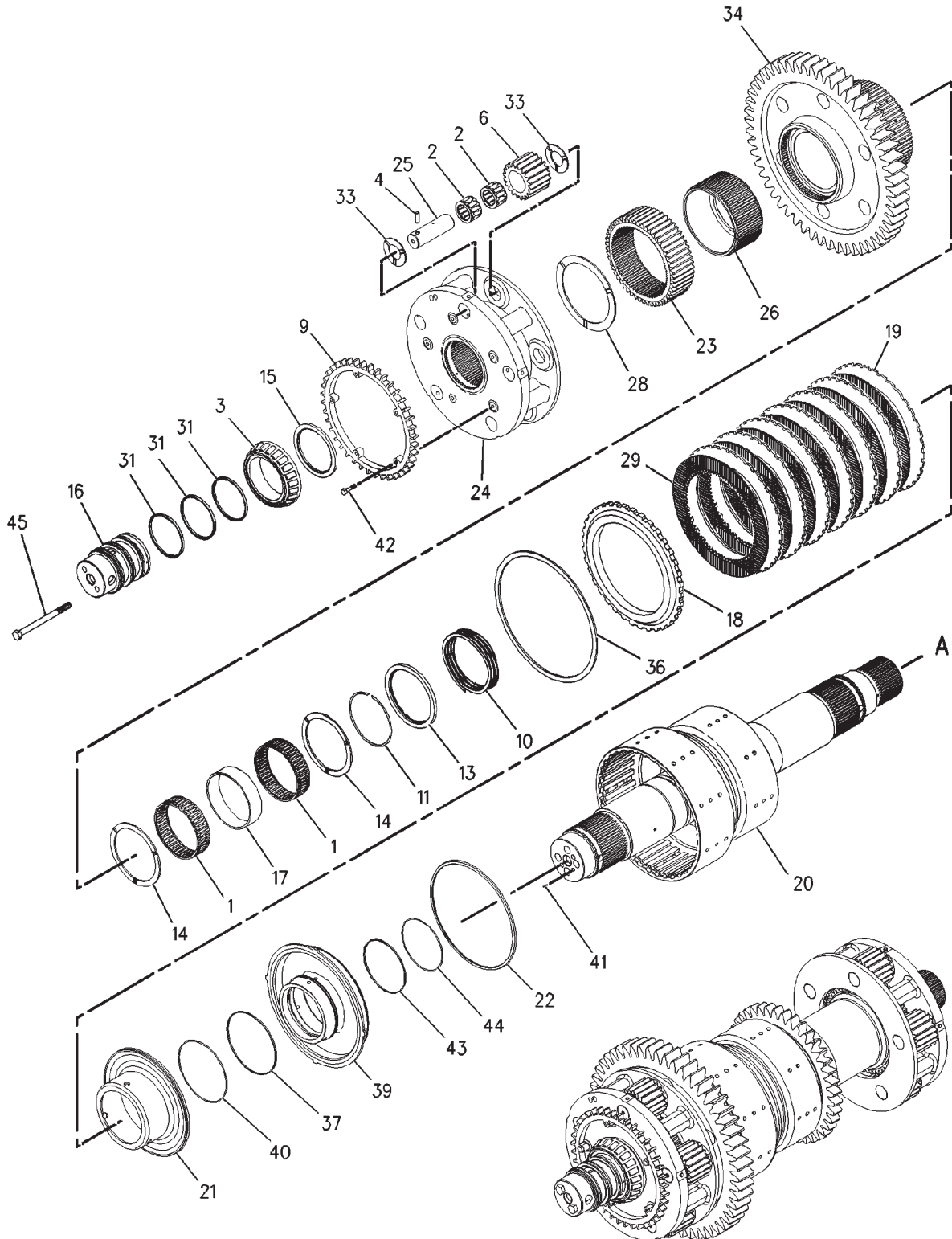
| ITEM | NUMBER | QTY | DESCRIPTION |
|------|----------|-----|---|
| - | 155-9575 | - | CLUTCH GP-REVERSE [A] (NOT SERVICED) |
| 1 | 177-5236 | 2 | BEARING |
| 2 | 6V-0347 | 2 | CONE-BEARING |
| 3 | 4D-7889 | 1 | RING |
| 4 | 134-8360 | 6 | DISC-FRICTION |
| 5 | 134-8361 | 6 | PLATE-CLUTCH |
| 6 | 203-2631 | 1 | PISTON |
| 7 | 173-5392 | 1 | SPRING |
| 8 | 177-5241 | 1 | RING-RETAINING |
| 9 | 177-5243 | 1 | SEAL AS |
| 10 | 177-5246 | 1 | RING-SPACER |
| 11 | 177-5248 | 1 | SPACER |
| 12 | 177-5249 | 2 | DISC-THRUST |
| 13 | 177-5250 | 1 | SPACER |
| 14 | 177-5257 | 1 | GEAR (50 TEETH) |
| 15 | 177-5258 | 1 | SPACER (86.3X106X5MM THK) |
| 16 | 177-5269 | 1 | CARRIER-SEAL |
| 17 | 177-5270 | 1 | SHAFT AS |
| 18 | 200-3039 | 1 | RING-SEAL |
| 19 | 177-6770 | 1 | SPACER |
| 20 | 177-6797 | 1 | RING-SEAL (EXTERNAL) |
| 21 | 177-6801 | 2 | RING-SEAL |
| 22 | 177-6804 | 1 | PLATE-END |
| 23 | 199-9240 | 1 | SEAL-O-RING |
| 24 | 191-0427 | 1 | GEAR (40 TEETH) |
| 25 | 5H-8985 | 1 | PIN-SPRING |
| 26 | 6V-5815 | 2 | BOLT (M10X1.5X75MM) |
| 27 | 7T-5594 | 1 | RING-SEAL |
| 28 | 8T-2572 | 1 | SEAL-O-RING |

[A] PART OF 152-5242 TRANSMISSION AR

00875690
PR: t05b22n43d0159

MT800B SERIES TRACTORS
POWER TRAIN

155-9576 CLUTCH GP-OUTPUT SHAFT
S/N: 9YY1-UP



00734520

MT800B SERIES TRACTORS
POWER TRAIN

395

155-9576 CLUTCH GP-OUTPUT SHAFT
S/N: 9YY1-UP

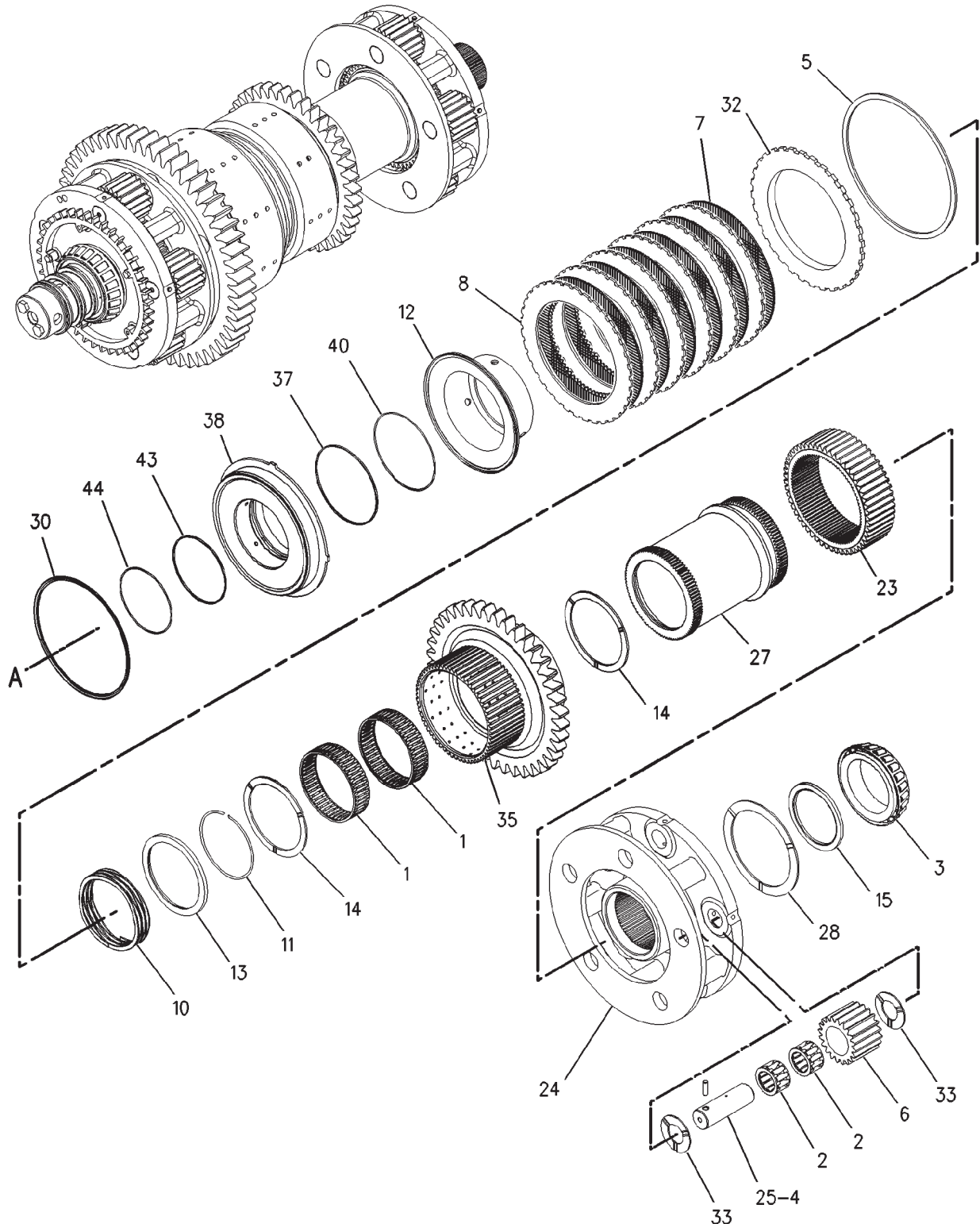
| ITEM | NUMBER | QTY | DESCRIPTION |
|------|----------|-----|--|
| - | 155-9576 | - | CLUTCH GP-OUTPUT SHAFT [A] (NOT SERVICED) |
| 1 | 177-6738 | 2 | BEARING |
| 2 | 187-6226 | 10 | BEARING-SPECIAL |
| 3 | 6V-0347 | 1 | CONE-BEARING |
| 4 | 3S-2708 | 5 | PIN-SPRING |
| 6 | 7G-2510 | 5 | GEAR-PLANETARY (20 TEETH) |
| 9 | 165-0420 | 1 | ROTOR AS |
| 10 | 173-5392 | 1 | SPRING |
| 11 | 177-5241 | 1 | RING-RETAINING |
| 13 | 177-5246 | 1 | RING-SPACER |
| 14 | 177-5249 | 2 | DISC-THRUST |
| 15 | 177-5258 | 1 | SPACER (86.3X106X5MM THK) |
| 16 | 177-5267 | 1 | CARRIER-SEAL |
| 17 | 177-6739 | 1 | SPACER |
| 18 | 177-6740 | 1 | PLATE-END |
| 19 | 177-6743 | 7 | PLATE-CLUTCH |
| 20 | 177-6747 | 1 | SHAFT AS |
| | 9P-2343 | 1 | PLUG-ORIFICE |
| 21 | 177-6752 | 1 | SEAL AS |
| 22 | 177-6754 | 1 | RING-SEAL |
| 23 | 177-6755 | 1 | GEAR-SUN (53 TEETH) |
| 24 | 177-6757 | 1 | CARRIER-PLANETARY |
| 25 | 177-6758 | 5 | SHAFT AS |
| 26 | 177-6760 | 1 | SHAFT-DRIVE (LH) |
| 28 | 177-6771 | 1 | DISC-THRUST |
| 29 | 177-6795 | 7 | DISC-FRICTION |
| 31 | 177-6801 | 3 | RING-SEAL |
| 33 | 187-8947 | 10 | DISC-THRUST |
| 34 | 191-0428 | 1 | GEAR (54 TEETH) |
| 36 | 192-4975 | 1 | RING-RETAINING |
| 37 | 200-3039 | 1 | RING-SEAL |
| 39 | 203-2632 | 1 | PISTON |
| 40 | 199-9240 | 1 | SEAL-O-RING |
| 41 | 5H-8985 | 1 | PIN-SPRING |
| 42 | 6V-8490 | 3 | BOLT (M6X1X25MM) |
| 43 | 7T-5594 | 1 | RING-SEAL |
| 44 | 8T-2572 | 1 | SEAL-O-RING |
| 45 | 8T-5436 | 2 | BOLT (M10X1.50X130MM) |

[A] PART OF 152-5242 TRANSMISSION AR

00734520
PR: t05b22n43d0160

MT800B SERIES TRACTORS
POWER TRAIN

155-9576 CLUTCH GP-OUTPUT SHAFT
S/N: 9YY1-UP



00893905

MT800B SERIES TRACTORS
POWER TRAIN

397

155-9576 CLUTCH GP-OUTPUT SHAFT
S/N: 9YY1-UP

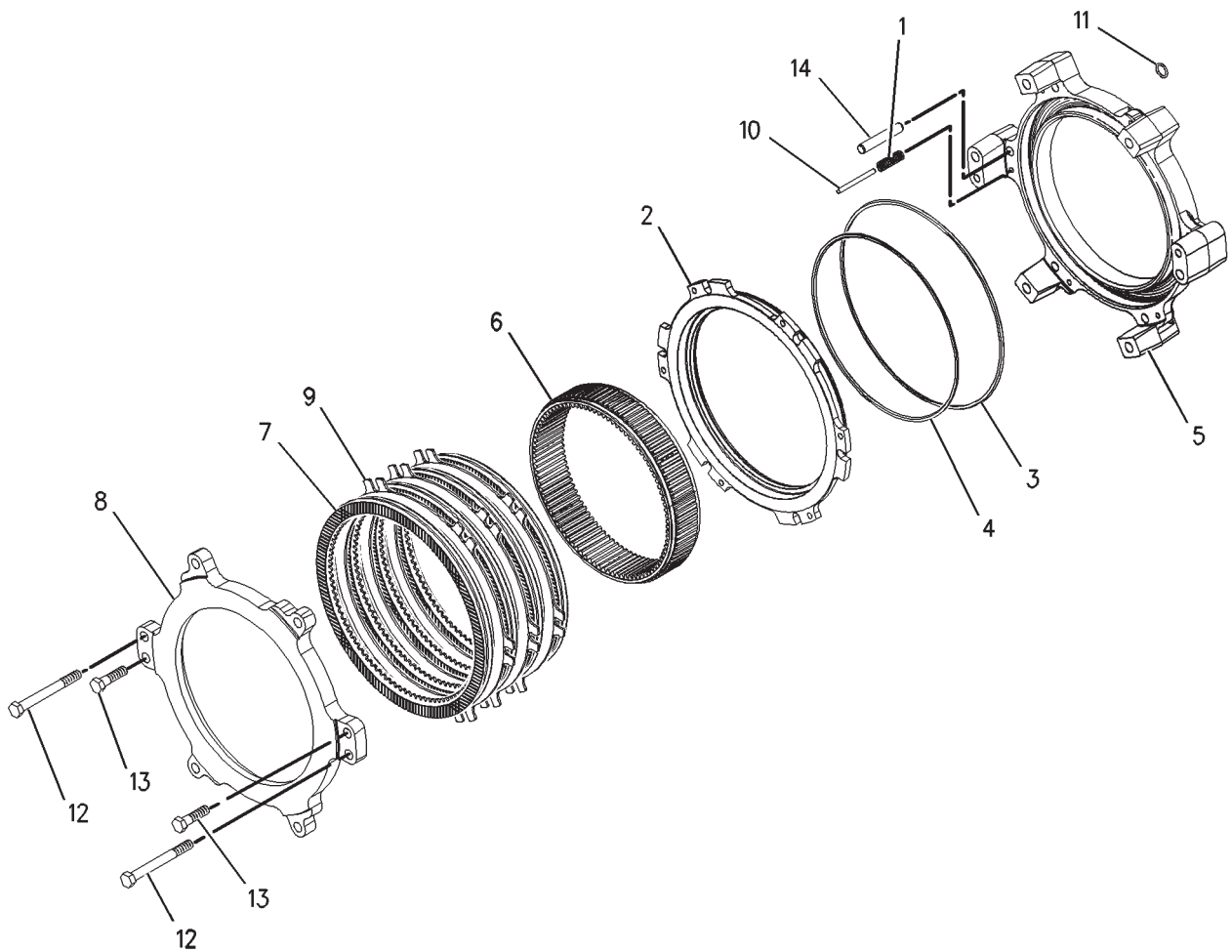
| ITEM | NUMBER | QTY | DESCRIPTION |
|------|----------|-----|--|
| - | 155-9576 | - | CLUTCH GP-OUTPUT SHAFT [A] (NOT SERVICED) |
| 1 | 177-6738 | 2 | BEARING |
| 2 | 187-6226 | 10 | BEARING-SPECIAL |
| 3 | 6V-0347 | 1 | CONE-BEARING |
| 4 | 3S-2708 | 5 | PIN-SPRING |
| 5 | 4D-7889 | 1 | RING |
| 6 | 7G-2510 | 5 | GEAR-PLANETARY (20 TEETH) |
| 7 | 134-8360 | 6 | DISC-FRICTION |
| 8 | 134-8361 | 6 | PLATE-CLUTCH |
| 10 | 173-5392 | 1 | SPRING |
| 11 | 177-5241 | 1 | RING-RETAINING |
| 12 | 177-5243 | 1 | SEAL AS |
| 13 | 177-5246 | 1 | RING-SPACER |
| 14 | 177-5249 | 2 | DISC-THRUST |
| 15 | 177-5258 | 1 | SPACER (86.3X106X5MM THK) |
| 23 | 177-6755 | 1 | GEAR-SUN (53 TEETH) |
| 24 | 177-6757 | 1 | CARRIER-PLANETARY |
| 25 | 177-6758 | 5 | SHAFT AS |
| 27 | 177-6769 | 1 | SHAFT-DRIVE (RH) |
| 28 | 177-6771 | 1 | DISC-THRUST |
| 30 | 177-6797 | 1 | RING-SEAL |
| 32 | 177-6804 | 1 | PLATE-END |
| 33 | 187-8947 | 10 | DISC-THRUST |
| 35 | 191-0429 | 1 | GEAR (40 TEETH) |
| 37 | 200-3039 | 1 | RING-SEAL |
| 38 | 203-2631 | 1 | PISTON |
| 40 | 199-9240 | 1 | SEAL-O-RING |
| 43 | 7T-5594 | 1 | RING-SEAL |
| 44 | 8T-2572 | 1 | SEAL-O-RING |

[A] PART OF 152-5242 TRANSMISSION AR

00893905
PR: t05b22n43d0161

MT800B SERIES TRACTORS
POWER TRAIN

177-5233 CLUTCH GP-PLANETARY
S/N: 9YY1-UP



00734552

MT800B SERIES TRACTORS
POWER TRAIN

399

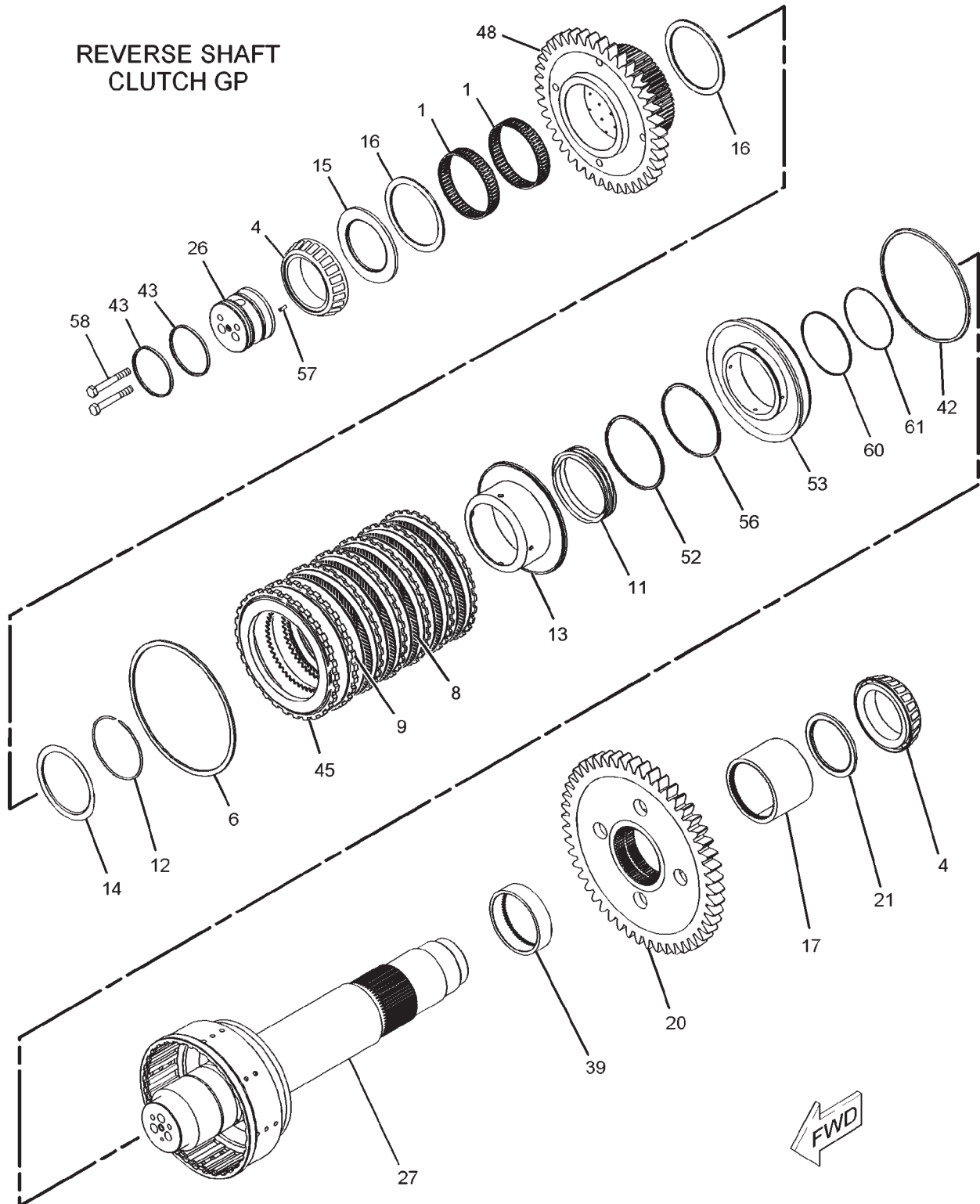
177-5233 CLUTCH GP-PLANETARY
S/N: 9YY1-UP

| ITEM | NUMBER | QTY | DESCRIPTION |
|------|----------|-----|--|
| - | 177-5233 | - | CLUTCH GP-PLANETARY [A] (NOT SERVICED) |
| 1 | 7G-6945 | 6 | SPRING |
| 2 | | 1 | PISTON (REPLACED BY LATER TYPE PLATE & PISTON) |
| 2 | 246-8145 | 1 | PISTON (LATER TYPE) |
| 3 | 177-6762 | 1 | RING-SEAL (EXTERNAL) |
| 4 | 177-6763 | 1 | RING-SEAL (INTERNAL) |
| 5 | 177-6764 | 1 | HOUSING-CLUTCH |
| 6 | 177-6765 | 1 | GEAR-RING (92 TEETH) |
| 7 | 177-6766 | 4 | DISC-FRICTION |
| 8 | | 1 | PLATE-END (REPLACED BY LATER TYPE PLATE & PISTON) |
| 8 | 246-8146 | 1 | PLATE-END (LATER TYPE) |
| 9 | 177-6768 | 3 | PLATE-CLUTCH |
| 10 | 4T-2201 | 6 | ROD |
| 11 | 8F-3469 | 2 | SEAL-O-RING |
| 12 | 8T-0646 | 6 | BOLT (M12X1.75X110MM) |
| 13 | 6V-5684 | 2 | BOLT (M12X1.75X45MM) |
| 14 | 9H-5545 | 6 | DOWEL-REACTION |

[A] PART OF 152-5242 TRANSMISSION AR

00734552
PR: t05b22n43d0162

232-1774 CLUTCH GP-TRANSMISSION
REVERSE SHAFT CLUTCH GROUP
S/N: 9YY1466-UP



01120031

MT800B SERIES TRACTORS
POWER TRAIN

401

232-1774 CLUTCH GP-TRANSMISSION
REVERSE SHAFT CLUTCH GROUP
S/N: 9YY1466-UP

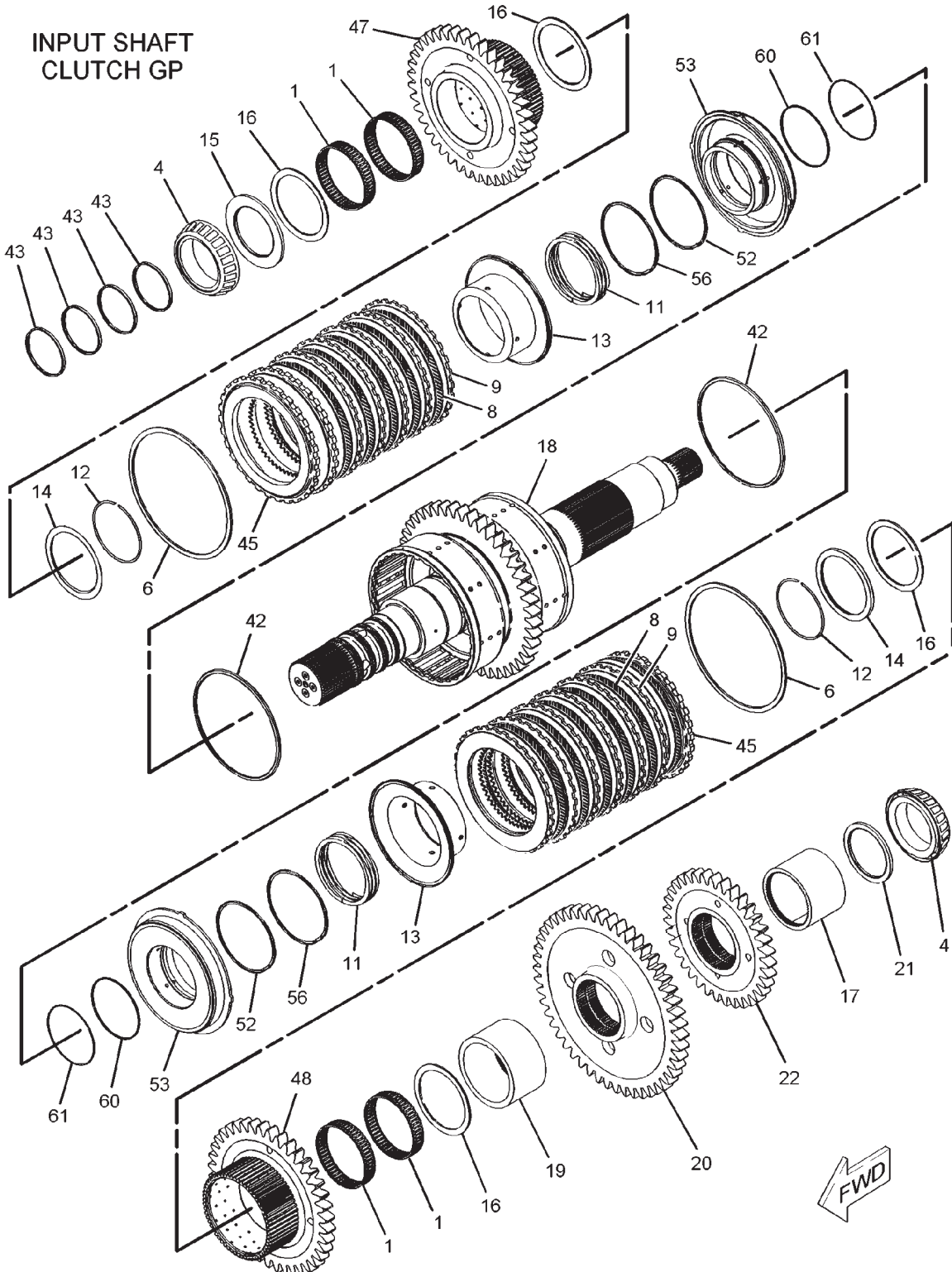
| ITEM | NUMBER | QTY | DESCRIPTION |
|------|----------|-----|--|
| - | 232-1774 | - | CLUTCH GP-TRANSMISSION [A] (NOT SERVICED) |
| 1 | 177-5236 | 2 | BEARING |
| 4 | 6V-0347 | 2 | CONE-BEARING |
| 6 | 4D-7889 | 1 | RING |
| 8 | 134-8360 | 6 | DISC-FRICTION |
| 9 | 134-8361 | 6 | PLATE-CLUTCH |
| 11 | 173-5392 | 1 | SPRING |
| 12 | 177-5241 | 1 | RING-RETAINING |
| 13 | 177-5243 | 1 | SEAL AS |
| 14 | 177-5246 | 1 | RING-SPACER |
| 15 | 177-5248 | 1 | SPACER |
| 16 | 177-5249 | 2 | DISC-THRUST |
| 17 | 177-5250 | 1 | SPACER |
| 20 | 177-5257 | 1 | GEAR (50-TEETH) |
| 21 | 177-5258 | 1 | SPACER (86.3X106X5-MM THK) |
| 26 | 177-5269 | 1 | CARRIER-SEAL |
| 27 | 177-5270 | 1 | SHAFT AS |
| 39 | 177-6770 | 1 | SPACER |
| 42 | 177-6797 | 1 | RING-SEAL |
| 43 | 177-6801 | 2 | RING-SEAL |
| 45 | 177-6804 | 1 | PLATE-END |
| 48 | 191-0427 | 1 | GEAR (40-TEETH) |
| 52 | 200-3039 | 1 | RING-SEAL |
| 53 | 203-2631 | 1 | PISTON |
| 56 | 199-9240 | 1 | SEAL-O-RING |
| 57 | 5H-8985 | 1 | PIN-SPRING |
| 58 | 6V-5815 | 2 | BOLT (M10X1.5X75-MM) |
| 60 | 7T-5594 | 1 | RING-SEAL |
| 61 | 8T-2572 | 1 | SEAL-O-RING |

[A] PART OF 152-5242 TRANSMISSION AR

01120031
PR: t05b22n43d0163

MT800B SERIES TRACTORS
POWER TRAIN

232-1774 CLUTCH GP-TRANSMISSION
INPUT SHAFT CLUTCH GROUP
S/N: 9YY1466-UP



01120032

MT800B SERIES TRACTORS
POWER TRAIN

403

232-1774 CLUTCH GP-TRANSMISSION
INPUT SHAFT CLUTCH GROUP
S/N: 9YY1466-UP

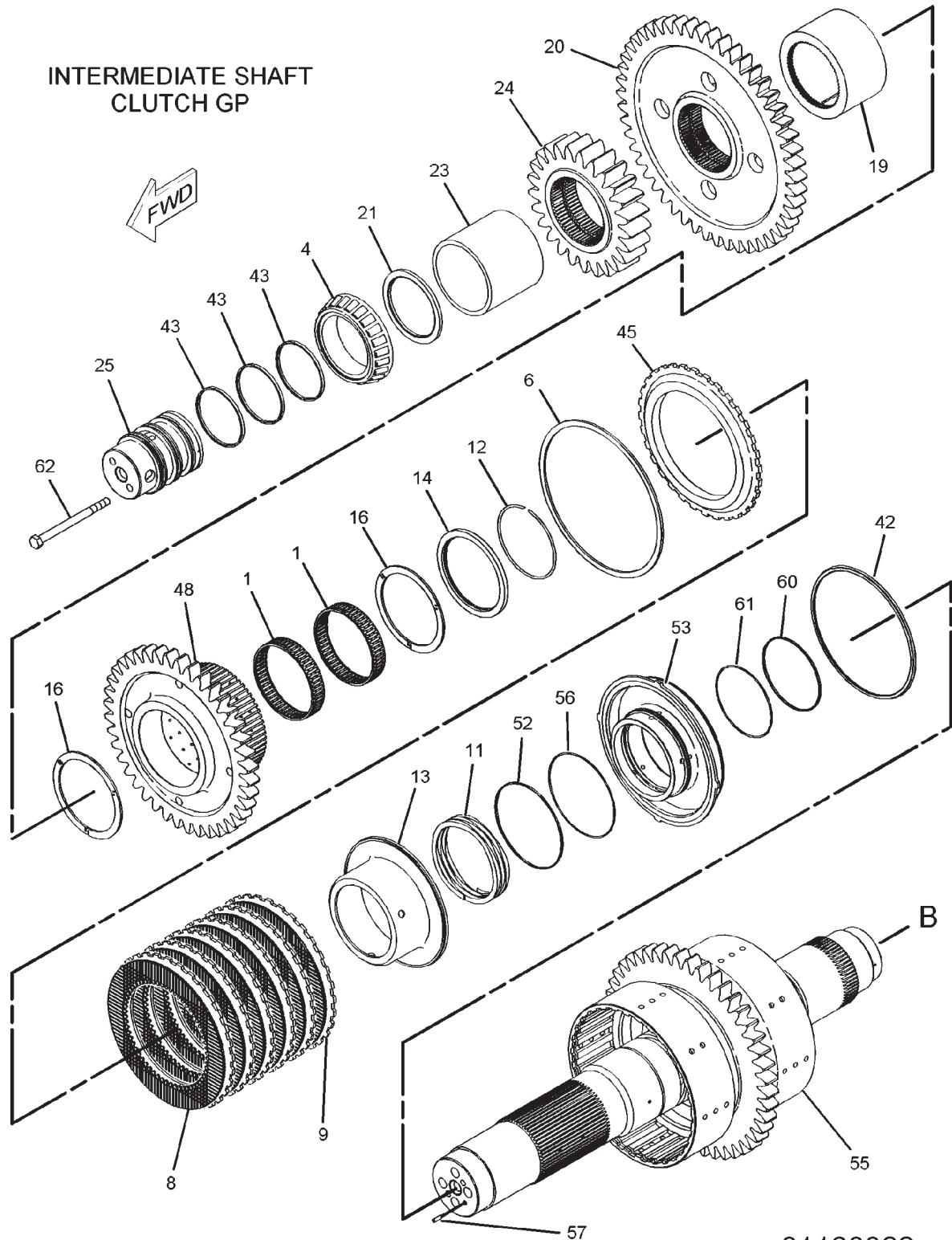
| ITEM | NUMBER | QTY | DESCRIPTION |
|------|----------|-----|--|
| - | 232-1774 | - | CLUTCH GP-TRANSMISSION [A] (NOT SERVICED) |
| 1 | 177-5236 | 4 | BEARING |
| 4 | 6V-0347 | 2 | CONE-BEARING |
| 6 | 4D-7889 | 2 | RING |
| 8 | 134-8360 | 12 | DISC-FRICTION |
| 9 | 134-8361 | 12 | PLATE-CLUTCH |
| 11 | 173-5392 | 2 | SPRING |
| 12 | 177-5241 | 2 | RING-RETAINING |
| 13 | 177-5243 | 2 | SEAL AS |
| 14 | 177-5246 | 2 | RING-SPACER |
| 15 | 177-5248 | 1 | SPACER |
| 16 | 177-5249 | 4 | DISC-THRUST |
| 17 | 177-5250 | 1 | SPACER |
| 18 | 177-5252 | 1 | SHAFT AS |
| | 165-0400 | 4 | PLUG |
| 19 | 177-5256 | 1 | SPACER |
| 20 | 177-5257 | 1 | GEAR (50-TEETH) |
| 21 | 177-5258 | 1 | SPACER (86.3X106X5-MM THK) |
| 22 | 177-5260 | 1 | GEAR (35-TEETH) |
| 42 | 177-6797 | 2 | RING-SEAL |
| 43 | 177-6801 | 4 | RING-SEAL |
| 45 | 177-6804 | 2 | PLATE-END |
| 47 | 191-0426 | 1 | GEAR (35-TEETH) |
| 48 | 191-0427 | 1 | GEAR (40-TEETH) |
| 52 | 200-3039 | 2 | RING-SEAL |
| 53 | 203-2631 | 2 | PISTON |
| 56 | 199-9240 | 1 | SEAL-O-RING |
| 60 | 7T-5594 | 2 | RING-SEAL |
| 61 | 8T-2572 | 2 | SEAL-O-RING |

[A] PART OF 152-5242 TRANSMISSION AR

01120032
PR: t05b22n43d0164

MT800B SERIES TRACTORS
POWER TRAIN

232-1774 CLUTCH GP-TRANSMISSION
INTERMEDIATE SHAFT CLUTCH GROUP (1 OF 2)
S/N: 9YY1466-UP



01120033

MT800B SERIES TRACTORS
POWER TRAIN

405

232-1774 CLUTCH GP-TRANSMISSION
INTERMEDIATE SHAFT CLUTCH GROUP (1 OF 2)
S/N: 9YY1466-UP

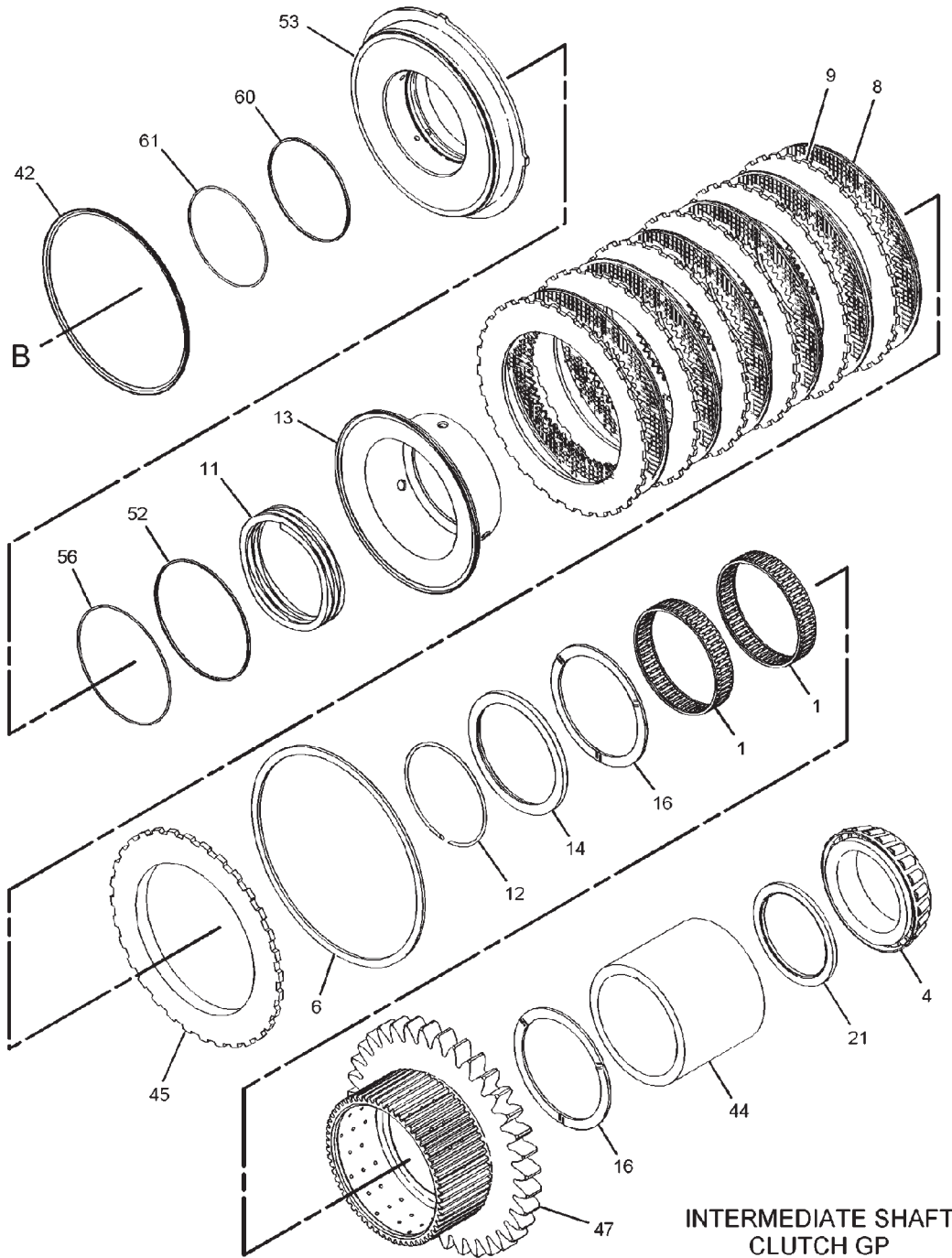
| ITEM | NUMBER | QTY | DESCRIPTION |
|------|----------|-----|--|
| - | 232-1774 | - | CLUTCH GP-TRANSMISSION [A] (NOT SERVICED) |
| 1 | 177-5236 | 2 | BEARING |
| 4 | 6V-0347 | 1 | CONE-BEARING |
| 6 | 4D-7889 | 1 | RING |
| 8 | 134-8360 | 6 | DISC-FRICTION |
| 9 | 134-8361 | 6 | PLATE-CLUTCH |
| 11 | 173-5392 | 1 | SPRING |
| 12 | 177-5241 | 1 | RING-RETAINING |
| 13 | 177-5243 | 1 | SEAL AS |
| 14 | 177-5246 | 1 | RING-SPACER |
| 16 | 177-5249 | 2 | DISC-THRUST |
| 19 | 177-5256 | 1 | SPACER |
| 20 | 177-5257 | 1 | GEAR (50-TEETH) |
| 21 | 177-5258 | 1 | SPACER (86.3X106X5-MM THK) |
| 23 | 177-5263 | 1 | SPACER |
| 24 | 177-5265 | 1 | GEAR (25-TEETH) |
| 25 | 177-5267 | 1 | CARRIER-SEAL |
| 42 | 177-6797 | 1 | RING-SEAL |
| 43 | 177-6801 | 3 | RING-SEAL |
| 45 | 177-6804 | 1 | PLATE-END |
| 48 | 191-0427 | 1 | GEAR (40-TEETH) |
| 52 | 200-3039 | 1 | RING-SEAL |
| 53 | 203-2631 | 1 | PISTON |
| 55 | 240-5529 | 1 | SHAFT AS |
| 56 | 199-9240 | 1 | SEAL-O-RING |
| 57 | 5H-8985 | 1 | PIN-SPRING |
| 60 | 7T-5594 | 1 | RING-SEAL |
| 61 | 8T-2572 | 1 | SEAL-O-RING |
| 62 | 8T-5436 | 1 | BOLT (M10X1.5X130-MM) |

[A] PART OF 152-5242 TRANSMISSION AR

01120033
PR: t05b22n43d0165

MT800B SERIES TRACTORS
POWER TRAIN

232-1774 CLUTCH GP-TRANSMISSION
INTERMEDIATE SHAFT CLUTCH GROUP (2 OF 2)
S/N: 9YY1466-UP



INTERMEDIATE SHAFT
CLUTCH GP

01120035

MT800B SERIES TRACTORS
POWER TRAIN

407

232-1774 CLUTCH GP-TRANSMISSION
INTERMEDIATE SHAFT CLUTCH GROUP (2 OF 2)
S/N: 9YY1466-UP

| ITEM | NUMBER | QTY | DESCRIPTION |
|------|----------|-----|--|
| - | 232-1774 | - | CLUTCH GP-TRANSMISSION [A] (NOT SERVICED) |
| 1 | 177-5236 | 2 | BEARING |
| 4 | 6V-0347 | 1 | CONE-BEARING |
| 6 | 4D-7889 | 1 | RING |
| 8 | 134-8360 | 6 | DISC-FRICTION |
| 9 | 134-8361 | 6 | PLATE-CLUTCH |
| 11 | 173-5392 | 1 | SPRING |
| 12 | 177-5241 | 1 | RING-RETAINING |
| 13 | 177-5243 | 1 | SEAL AS |
| 14 | 177-5246 | 1 | RING-SPACER |
| 16 | 177-5249 | 2 | DISC-THRUST |
| 21 | 177-5258 | 1 | SPACER (86.3X106X5-MM THK) |
| 42 | 177-6797 | 1 | RING-SEAL |
| 44 | 177-6802 | 1 | SPACER |
| 45 | 177-6804 | 1 | PLATE-END |
| 47 | 191-0426 | 1 | GEAR (35-TEETH) |
| 52 | 200-3039 | 1 | RING-SEAL |
| 53 | 203-2631 | 1 | PISTON |
| 56 | 199-9240 | 1 | SEAL-O-RING |
| 60 | 7T-5594 | 1 | RING-SEAL |
| 61 | 8T-2572 | 1 | SEAL-O-RING |

[A] PART OF 152-5242 TRANSMISSION AR

01120035
PR: t05b22n43d0166

MT800B SERIES TRACTORS
POWER TRAIN

409

232-1774 CLUTCH GP-TRANSMISSION
OUTPUT SHAFT CLUTCH GROUP (1 OF 2)
S/N: 9YY1466-UP

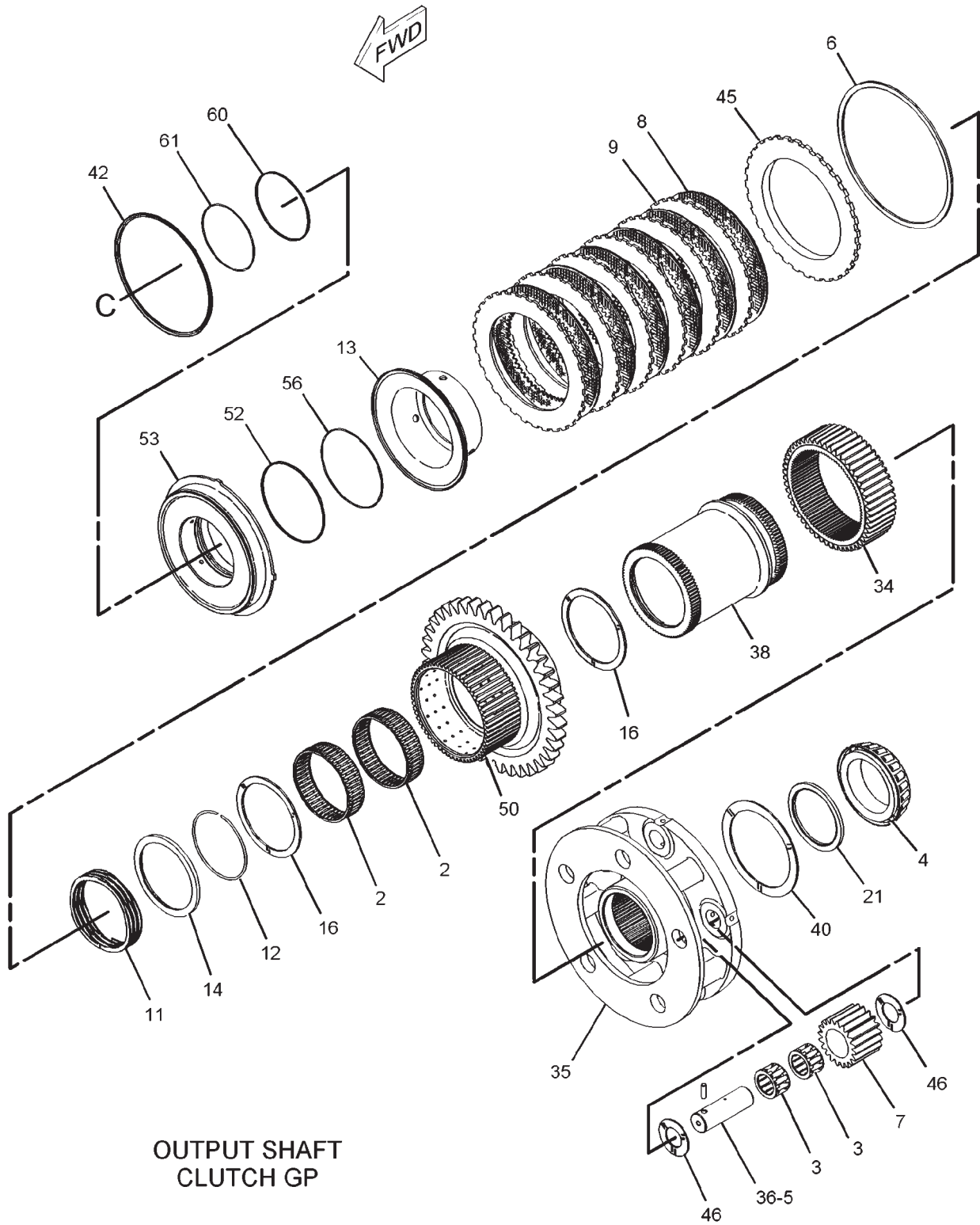
| ITEM | NUMBER | QTY | DESCRIPTION |
|------|----------|-----|--|
| - | 232-1774 | - | CLUTCH GP-TRANSMISSION [A] (NOT SERVICED) |
| 2 | 177-6738 | 2 | BEARING |
| 3 | 187-6226 | 2 | BEARING-SPECIAL |
| 4 | 6V-0347 | 1 | CONE-BEARING |
| 5 | 3S-2708 | 1 | PIN-SPRING |
| 7 | 7G-2510 | 1 | GEAR-PLANETARY (20-TEETH) |
| 10 | 165-0420 | 1 | ROTOR AS |
| | 3H-0703 | 2 | DOWEL |
| 11 | 173-5392 | 1 | SPRING |
| 12 | 177-5241 | 1 | RING-RETAINING |
| 14 | 177-5246 | 1 | RING-SPACER |
| 16 | 177-5249 | 2 | DISC-THRUST |
| 21 | 177-5258 | 1 | SPACER (86.3X106X5-MM THK) |
| 25 | 177-5267 | 1 | CARRIER-SEAL |
| 28 | 177-6739 | 1 | SPACER |
| 29 | 177-6740 | 1 | PLATE-END |
| 30 | 177-6743 | 1 | PLATE-CLUTCH |
| 31 | 177-6747 | 1 | SHAFT AS |
| | 9P-2343 | 1 | PLUG-ORIFICE |
| 32 | 177-6752 | 1 | SEAL AS |
| 33 | 177-6754 | 1 | RING-SEAL |
| 34 | 177-6755 | 1 | GEAR-SUN (53-TEETH) |
| 35 | 177-6757 | 1 | CARRIER-PLANETARY |
| 36 | 177-6758 | 1 | SHAFT AS |
| | 8S-0527 | 1 | PLUG-CUP |
| 37 | 177-6760 | 1 | SHAFT-DRIVE (LH) |
| 40 | 177-6771 | 1 | DISC-THRUST |
| 41 | 177-6795 | 1 | DISC-FRICTION |
| 43 | 177-6801 | 3 | RING-SEAL |
| 46 | 187-8947 | 2 | DISC-THRUST |
| 49 | 191-0428 | 1 | GEAR (54-TEETH) |
| 51 | 192-4975 | 1 | RING-RETAINING |
| 52 | 200-3039 | 1 | RING-SEAL |
| 54 | 203-2632 | 1 | PISTON |
| 56 | 199-9240 | 1 | SEAL-O-RING |
| 57 | 5H-8985 | 1 | PIN-SPRING |
| 59 | 6V-8490 | 1 | BOLT (M6X1X25-MM) |
| 60 | 7T-5594 | 1 | RING-SEAL |
| 61 | 8T-2572 | 1 | SEAL-O-RING |
| 62 | 8T-5436 | 1 | BOLT (M10X1.5X130-MM) |

[A] PART OF 152-5242 TRANSMISSION AR

01120036
PR: t05b22n43d0167

MT800B SERIES TRACTORS
POWER TRAIN

232-1774 CLUTCH GP-TRANSMISSION
OUTPUT SHAFT CLUTCH GROUP (2 OF 2)
S/N: 9YY1466-UP



OUTPUT SHAFT
CLUTCH GP

MT800B SERIES TRACTORS
POWER TRAIN

411

232-1774 CLUTCH GP-TRANSMISSION
OUTPUT SHAFT CLUTCH GROUP (2 OF 2)
S/N: 9YY1466-UP

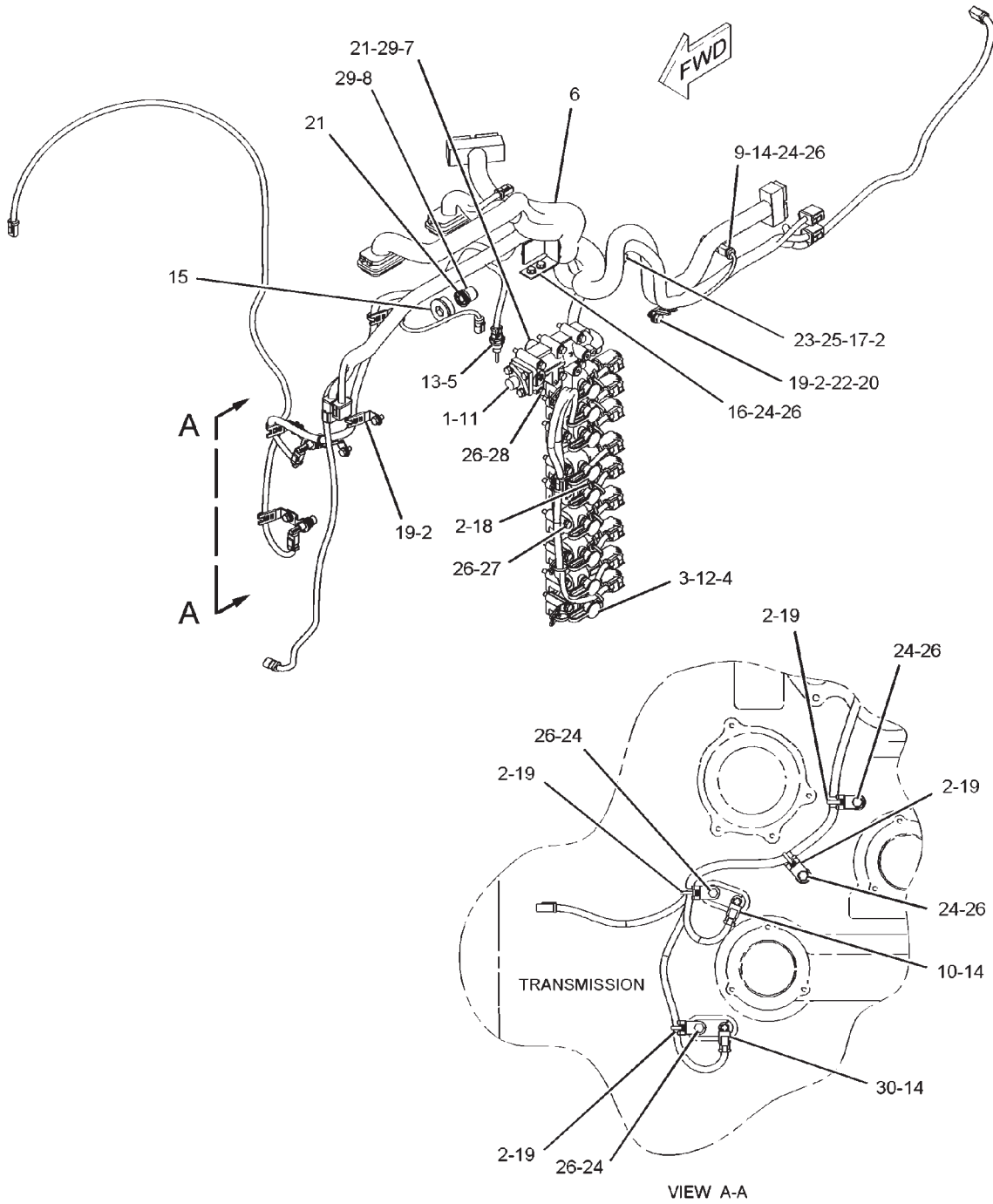
| ITEM | NUMBER | QTY | DESCRIPTION |
|------|----------|-----|--|
| - | 232-1774 | - | CLUTCH GP-TRANSMISSION [A] (NOT SERVICED) |
| 2 | 177-6738 | 2 | BEARING |
| 3 | 187-6226 | 2 | BEARING-SPECIAL |
| 4 | 6V-0347 | 1 | CONE-BEARING |
| 5 | 3S-2708 | 1 | PIN-SPRING |
| 6 | 4D-7889 | 1 | RING |
| 7 | 7G-2510 | 1 | GEAR-PLANETARY (20-TEETH) |
| 8 | 134-8360 | 6 | DISC-FRICTION |
| 9 | 134-8361 | 6 | PLATE-CLUTCH |
| 11 | 173-5392 | 1 | SPRING |
| 12 | 177-5241 | 1 | RING-RETAINING |
| 13 | 177-5243 | 1 | SEAL AS |
| 14 | 177-5246 | 1 | RING-SPACER |
| 16 | 177-5249 | 2 | DISC-THRUST |
| 21 | 177-5258 | 1 | SPACER (86.3X106X5-MM THK) |
| 34 | 177-6755 | 1 | GEAR-SUN (53-TEETH) |
| 35 | 177-6757 | 1 | CARRIER-PLANETARY |
| 36 | 177-6758 | 1 | SHAFT AS |
| | 8S-0527 | 1 | PLUG-CUP |
| 38 | 177-6769 | 1 | SHAFT-DRIVE (RH) |
| 40 | 177-6771 | 1 | DISC-THRUST |
| 42 | 177-6797 | 1 | RING-SEAL |
| 45 | 177-6804 | 1 | PLATE-END |
| 46 | 187-8947 | 2 | DISC-THRUST |
| 50 | 191-0429 | 1 | GEAR (40-TEETH) |
| 52 | 200-3039 | 1 | RING-SEAL |
| 53 | 203-2631 | 1 | PISTON |
| 56 | 199-9240 | 1 | SEAL-O-RING |
| 60 | 7T-5594 | 1 | RING-SEAL |
| 61 | 8T-2572 | 1 | SEAL-O-RING |

[A] PART OF 152-5242 TRANSMISSION AR

01120038
PR: t05b22n43d0168

MT800B SERIES TRACTORS
POWER TRAIN

155-9580 CONTROL GP-TRANSMISSION HYD
S/N: 9YY1-UP



MT800B SERIES TRACTORS
POWER TRAIN

413

155-9580 CONTROL GP-TRANSMISSION HYD
S/N: 9YY1-UP

| ITEM | NUMBER | QTY | DESCRIPTION |
|------|-----------|-----|---|
| - | 155-9580 | - | CONTROL GP-TRANSMISSION HYD [A] (NOT SERVICED) |
| 1 | 2P-1692 | 1 | SEAL-O-RING |
| 2 | 3S-2093 | 18 | STRAP-CABLE |
| 3 | 6V-0852 | 9 | CAP-DUST |
| 4 | 8S-0768 | 9 | SEAL-O-RING |
| 5 | 130-9811 | 1 | SENSOR GP-TEMPERATURE (HYDRAULIC OIL) |
| 6 | 228-4278 | 1 | HARNESS AS-TRANSMISSION |
| 7 | 148-1925 | 1 | VALVE-RELIEF (COOLER BYPASS) |
| 8 | 165-0390 | 1 | VALVE-RELIEF (TRANSMISSION-LUBE) |
| 9 | 191-8303 | 1 | SENSOR GP-SPEED (TRANSMISSION-INPUT) (PTO SPEED SENSOR) |
| 10 | 191-8304 | 1 | SENSOR GP-SPEED (TRANSMISSION-OUTPUT #1) |
| 11 | 198-1013 | 1 | VALVE GP-RELIEF (HYDRAULIC CONTROL SYSTEM) (SEE BREAKDOWN FOR COMPONENTS) |
| 12 | 216-5343 | 9 | VALVE GP-MODULATING (ELEK CLUTCH PRESS CONT) (SEE BREAKDOWN FOR COMPONENTS) |
| 13 | 112-5282 | 1 | SEAL-O-RING |
| 14 | 117-1385 | 3 | SEAL-O-RING |
| 15 | 183-3902 | 1 | PLUG AS (NOT SERVICED) |
| | 9S-8010 | 1 | PLUG |
| | 183-2317 | 1 | SEAL-O-RING |
| 16 | 211-1170 | 1 | BRACKET AS |
| | 7T-1099 | 2 | LINK |
| 17 | 4P-7428 | 1 | CLIP |
| 18 | CH4P-7581 | 11 | CLIP |
| 19 | 4P-8134 | 6 | CLIP |
| 20 | 6V-5839 | 1 | WASHER (11X21X2.5-MM THK) |
| 21 | 8C-3428 | 2 | RING-RETAINING |
| 22 | 8T-4137 | 1 | BOLT (M10X1.5X20-MM) |
| 23 | 8T-4179 | 1 | BOLT (M12X1.75X20-MM) |
| 24 | 8T-4200 | 7 | BOLT (M8X1.25X16-MM) |
| 25 | 8T-4223 | 1 | WASHER-HARD (13.5X25.5X3-MM THK) |
| 26 | 8T-4224 | 31 | WASHER-HARD (8.8X16X2-MM THK) |
| 27 | 8T-6869 | 22 | BOLT (M8X1.25X60-MM) |
| 28 | 8T-6870 | 2 | BOLT (M8X1.25X70-MM) |
| 29 | 9X-4609 | 2 | SEAL-O-RING |
| 30 | 191-8304 | 1 | SENSOR GP-SPEED TRANSMISSION-OUTPUT #2 |

[A] PART OF 152-5242 TRANSMISSION AR

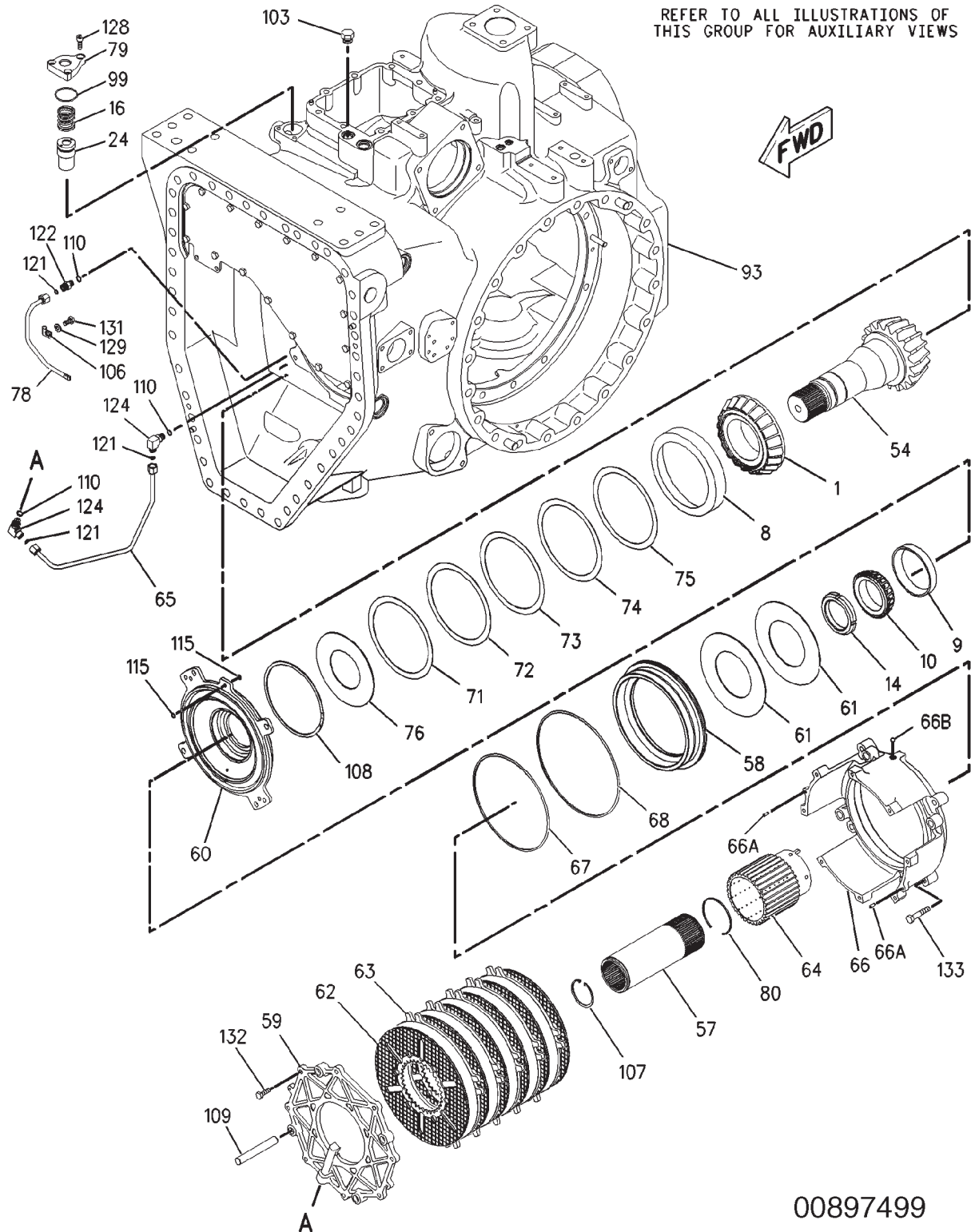
01120531
PR: t05b22n43d0169

MT800B SERIES TRACTORS POWERTRAIN

180-4376 DIFFERENTIAL GP-STEERING

S/N: AZG1-906; AZH1-972;
AZJ1-1112; AZK1-968

REFER TO ALL ILLUSTRATIONS OF
THIS GROUP FOR AUXILIARY VIEWS



00897499

**MT800B SERIES TRACTORS
POWER TRAIN**

415

180-4376 DIFFERENTIAL GP-STEERING

S/N: AZG1-906; AZH1-972;
AZJ1-1112; AZK1-968

| ITEM | NUMBER | QTY | DESCRIPTION |
|------|----------|-----|--|
| - | 180-4376 | - | DIFFERENTIAL GP-STEERING [A] (NOT SERVICED) |
| 1 | 124-9536 | 1 | CONE-BEARING |
| 8 | 5P-7843 | 1 | CUP-BEARING |
| 9 | 6F-2956 | 1 | CUP-BEARING |
| 10 | 6V-0347 | 1 | CONE-BEARING |
| 14 | 4H-6507 | 1 | LOCKNUT |
| 16 | 7H-0832 | 1 | SPRING |
| 24 | 163-0592 | 1 | VALVE GP-CHECK (HYDRAULIC) |
| | 061-7540 | 1 | SEAL-O-RING |
| 54 | 186-2868 | 1 | PINION-BEVEL (17-TEETH) |
| 57 | 187-1377 | 1 | COUPLING |
| 58 | 227-9327 | 1 | PISTON |
| 59 | 187-3367 | 1 | PLATE-END |
| 60 | 187-3368 | 1 | PLATE-SPRING |
| 61 | 187-3369 | 2 | SPRING |
| 62 | 187-3370 | 1 | DISC-FRICTION |
| 63 | 187-3371 | 6 | PLATE-CLUTCH |
| 64 | 187-3372 | 1 | HUB-CLUTCH |
| 65 | 187-3373 | 1 | TUBE AS |
| 66 | 187-3374 | 1 | HOUSING AS |
| 66A | 2H-1190 | 2 | DOWEL |
| 66B | 4B-9782 | 1 | BALL |
| 67 | 188-0632 | 1 | SEAL-BRAKE |
| 68 | 188-0633 | 1 | SEAL-BRAKE |
| 71 | 191-1907 | AR | SHIM (0.9MM THK) |
| 72 | 191-1908 | AR | SHIM (0.8MM THK) |
| 73 | 191-1909 | AR | SHIM (0.7MM THK) |
| 74 | 191-1910 | AR | SHIM (0.6MM THK) |
| 75 | 191-1911 | AR | SHIM (0.5MM THK) |
| 76 | 191-1912 | 1 | PLATE-RETAINER |
| 78 | 195-3252 | 1 | TUBE AS |
| 79 | 197-5411 | 1 | FLANGE |
| 80 | 198-0288 | 1 | RING-RETAINING |
| 93 | 225-6958 | 1 | HOUSING GP-DIFFERENTIAL (NOT SERVICED) (SEE BREAKDOWN FOR COMPONENTS) |
| 99 | 005-8593 | 1 | SEAL-O-RING |
| 103 | 9S-4190 | 1 | PLUG |
| | 2M-9780 | 1 | SEAL-O-RING |
| 106 | 1F-7567 | 1 | CLIP |
| 107 | 2H-5549 | 1 | RING-RETAINING |
| 108 | 2K-1381 | 1 | RING-RETAINING |
| 109 | 2Y-7489 | 4 | DOWEL |
| 110 | 3J-1907 | 3 | SEAL-O-RING |
| 115 | 5H-6005 | 2 | SEAL-O-RING |
| 121 | 6V-8397 | 3 | SEAL-O-RING |
| 122 | 6V-8636 | 1 | CONNECTOR |
| 124 | 6V-8724 | 2 | ELBOW |
| 128 | 8T-1159 | 3 | BOLT-SOCKET HEAD (M10X1.5X25-MM) |
| 129 | 8T-4121 | 1 | WASHER-HARD (11X21X2.5-MM THK) |
| 131 | 8T-4137 | 1 | BOLT (M10X1.5X20-MM) |
| 132 | 8T-4195 | 10 | BOLT (M10X1.5X30-MM) |
| 133 | 8T-4910 | 4 | BOLT (M12X1.75X60-MM) |

[A] 185-3955, 185-3956,
185-3957, 185-3958 AXLE AR

00897499
PR: t05b22n43d0170

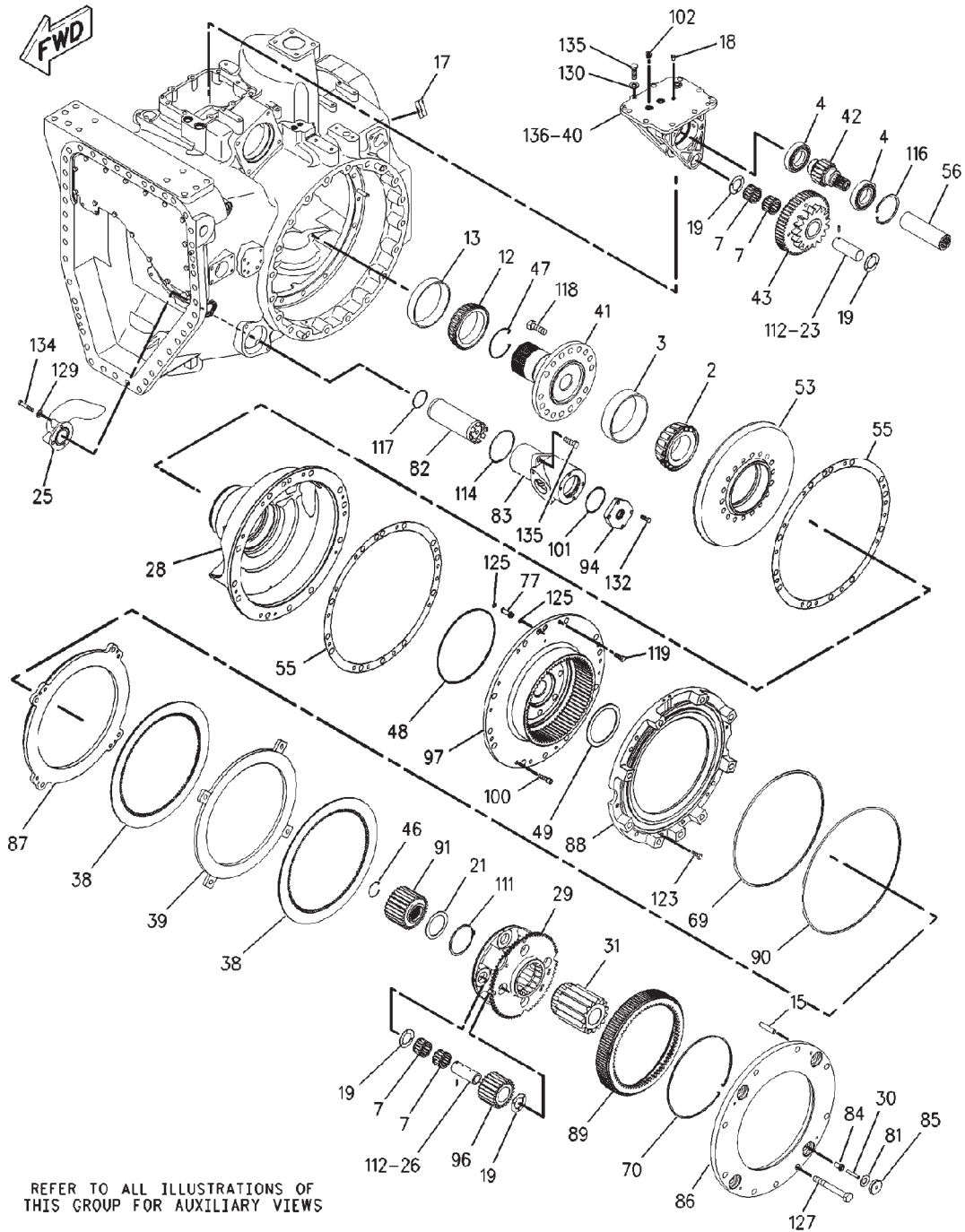
MT800B SERIES TRACTORS
POWER TRAIN

180-4376 DIFFERENTIAL GP-STEERING

(PAGE 1 OF 2)

S/N: AZG1-906; AZH1-972;

AZJ1-1112; AZK1-968



REFER TO ALL ILLUSTRATIONS OF
THIS GROUP FOR AUXILIARY VIEWS

MT800B SERIES TRACTORS
POWER TRAIN

417

180-4376 DIFFERENTIAL GP-STEERING

(PAGE 1 OF 2)

S/N: AZG1-906; AZH1-972;
AZJ1-1112; AZK1-968

| ITEM | NUMBER | QTY | DESCRIPTION |
|------|----------|-----|--|
| - | 180-4376 | - | DIFFERENTIAL GP-STEERING [A] (NOT SERVICED) |
| 2 | 132-6597 | 1 | CONE-BEARING |
| 3 | 132-6598 | 1 | CUP-BEARING |
| 4 | 1F-2771 | 2 | BALL BEARING |
| 7 | 5P-6254 | 10 | BEARING |
| 12 | 8D-2256 | 1 | CONE-BEARING |
| 13 | 9K-1171 | 1 | CUP-BEARING |
| 15 | 4K-3892 | 4 | DOWEL |
| 17 | 7X-7816 | 1 | PLATE-SERIAL NUMBER (TRANSMISSION) |
| | | 2 | TACK |
| 18 | 8C-5224 | 3 | PLUG-SEAL |
| 19 | 8E-8310 | 9 | DISC-THRUST |
| 21 | 8E-8652 | 1 | DISC-THRUST |
| 23 | 111-7068 | 1 | SHAFT AS |
| | 2A-3746 | 1 | PLUG-CUP |
| 25 | | 1 | TUBE |
| 26 | 174-9381 | 4 | SHAFT-PLANETARY |
| 28 | 174-9407 | 1 | SUPPOT |
| 29 | 174-9410 | 1 | CARRIER-PLANETARY |
| 30 | 176-1377 | 4 | PIN-SPRING |
| 31 | 179-9006 | 1 | GEAR-SUN (15-TEETH) |
| 38 | 180-4502 | 2 | DISC-FRICTION |
| 39 | 180-4505 | 1 | PLATE |
| 40 | 180-8428 | 1 | SUPPORT AS |
| | 2A-3746 | 4 | PLUG-CUP |
| 41 | 183-3411 | 1 | SHAFT-BEVEL GEAR |
| 42 | 183-3413 | 1 | GEAR (18-TEETH) |
| 43 | 183-3414 | 1 | GEAR (54-TEETH) |
| 46 | 184-1693 | 1 | RING-RETAINING |
| 47 | 184-1694 | 1 | RING-RETAINING |
| 48 | 184-1695 | 1 | SEAL-RING |
| 49 | 184-1696 | 1 | DISC-THRUST |
| 53 | 186-2867 | 1 | GEAR-BEVEL (48-TEETH) |
| 55 | 186-2869 | 2 | SHIM PACK (INCLUDES 14-SHIMS) |
| 56 | 235-6166 | 1 | COUPLING |
| 69 | 188-0635 | 1 | SEAL-BRAKE |
| 70 | 189-2089 | 1 | RING-LOCK |
| 81 | 199-7107 | 4 | SPRING |
| 82 | 207-5993 | 1 | SCREEN |
| 83 | 207-7007 | 1 | HOUSING |
| 84 | 210-8405 | 4 | BUSHING |
| 85 | 210-8406 | 4 | PLATE-SPRING |
| 86 | 221-5334 | 1 | PLATE-REACTION |
| 87 | 211-8280 | 1 | PISTON-BRAKE |
| 88 | 242-5086 | 1 | HOUSING AS |
| | 126-7260 | 1 | PLUG |
| 89 | 213-3269 | 1 | HUB-BRAKE |

CONTINUED

[A] 185-3955, 185-3956,
185-3957, 185-3958 AXLE AR

00897500
PR: t05b22n43d0171

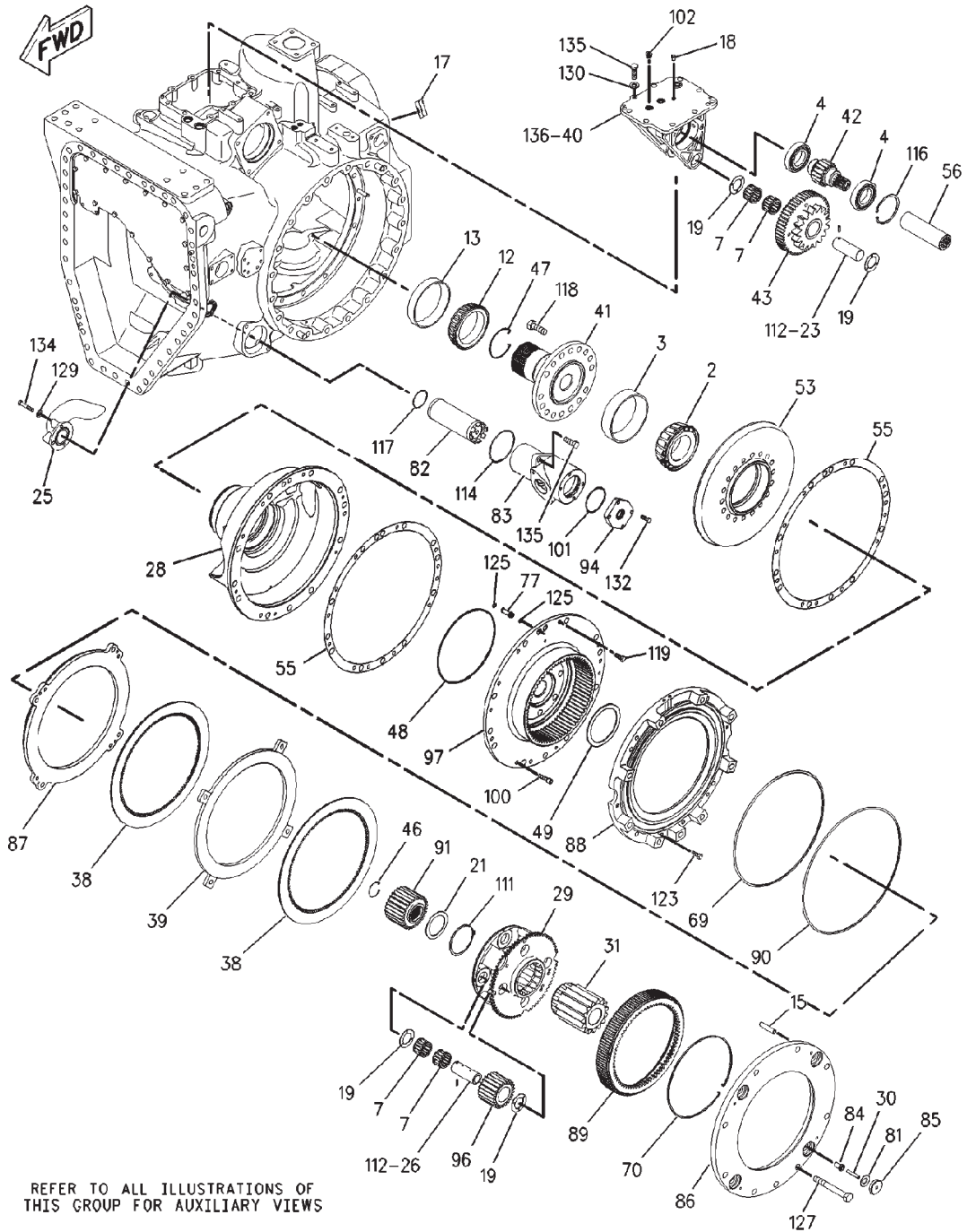
MT800B SERIES TRACTORS POWER TRAIN

180-4376 DIFFERENTIAL GP-STEERING

(PAGE 2 OF 2)

S/N: AZG1-906; AZH1-972;

AZJ1-1112; AZK1-968



REFER TO ALL ILLUSTRATIONS OF
THIS GROUP FOR AUXILIARY VIEWS

MT800B SERIES TRACTORS
POWER TRAIN

419

180-4376 DIFFERENTIAL GP-STEERING

(PAGE 2 OF 2)

S/N: AZG1-906; AZH1-972;
AZJ1-1112; AZK1-968

| ITEM | NUMBER | QTY | DESCRIPTION |
|------|----------|-----|---------------------------------------|
| - | 180-4376 | - | DIFFERENTIAL GP [A] (NOT SERVICED) |
| 90 | 213-3270 | 1 | SEAL-D-RING |
| 91 | 213-6190 | 1 | GEAR-SUN (28-TEETH) |
| 94 | 221-0691 | 1 | COVER |
| 96 | 222-1904 | 4 | GEAR-PLANETARY (23-TEETH) |
| 97 | 252-2226 | 1 | GEAR-RING |
| 100 | 095-0670 | 3 | BOLT (M12X1.75X45-MM) |
| 101 | 131-3718 | 1 | SEAL-O-RING |
| 102 | 9S-8005 | 1 | PLUG |
| | 3K-0360 | 1 | SEAL-O-RING |
| 111 | 3P-3441 | 1 | RING-RETAINING |
| 112 | 3S-2708 | 5 | PIN-SPRING |
| 114 | 5F-3144 | 1 | SEAL-O-RING |
| 116 | 5L-4751 | 1 | RING-RETAINING |
| 117 | 5M-6509 | 1 | SEAL-O-RING |
| 118 | 6V-3532 | 16 | BOLT (M20X2.5X60-MM) |
| 119 | 6V-3668 | 6 | BOLT (M12X1.75X30-MM) |
| 123 | 6V-8675 | 1 | BOLT (M12X1.75X35-MM) |
| 125 | 8L-2777 | 4 | SEAL-O-RING |
| 127 | 8T-0657 | 9 | BOLT (M20X2.5X160-MM) |
| 129 | 8T-4121 | 3 | WASHER-HARD (11X21X2.5-MM THK) |
| 130 | 8T-4122 | 9 | WASHER-HARD (17X32X3.5-MM THK) |
| 132 | 8T-4195 | 4 | BOLT (M10X1.5X30-MM) |
| 134 | 8T-6466 | 3 | BOLT (M10X1.5X60-MM) |
| 135 | 8T-7338 | 11 | BOLT (M16X2X45-MM) |
| 136 | 1U-8846 | AR | SEALANT-GASKET |

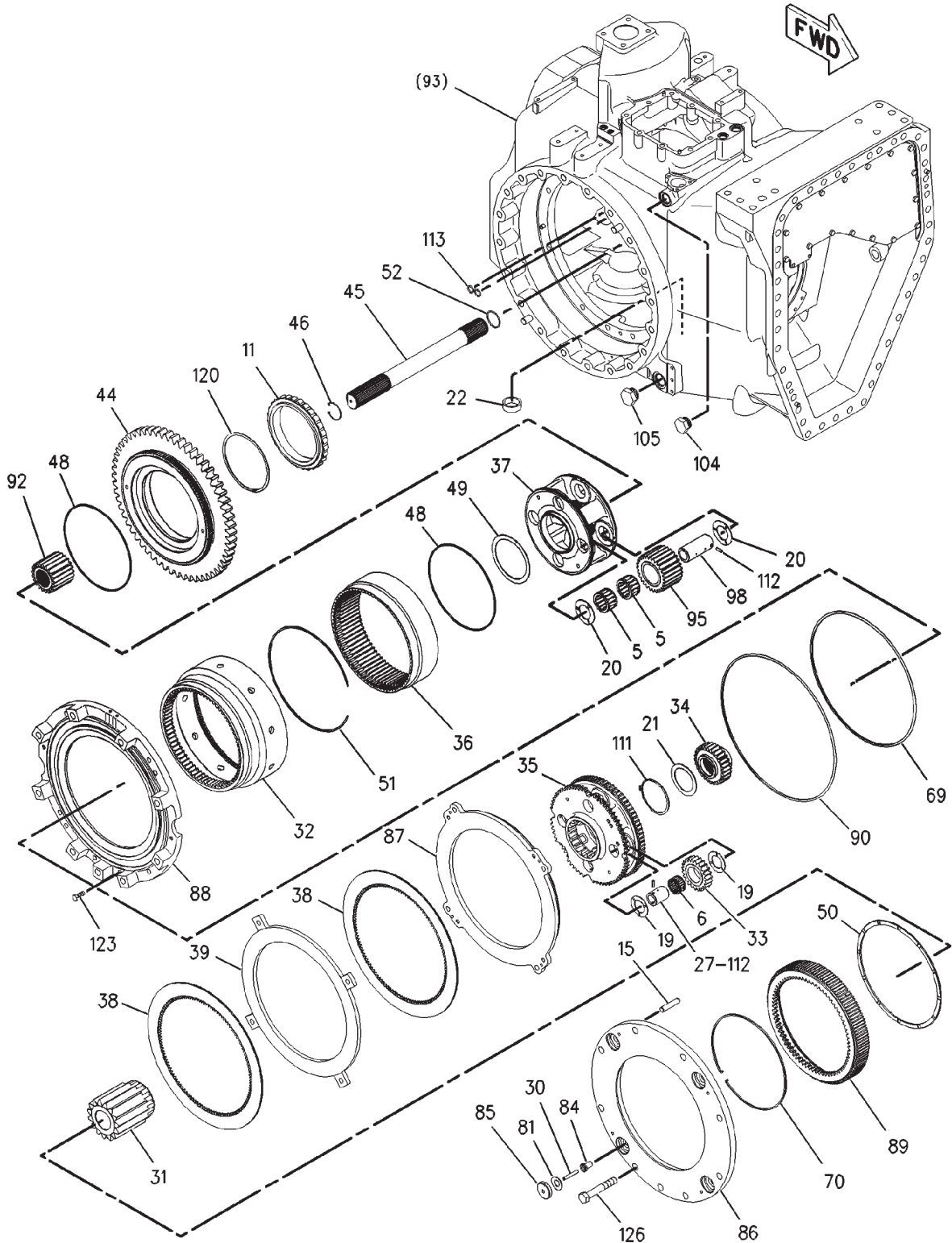
[A] 185-3955, 185-3956,
185-3957, 185-3958 AXLE AR

00897500
PR: t05b22n43d0171

MT800B SERIES TRACTORS
POWER TRAIN

180-4376 DIFFERENTIAL GP-STEERING

S/N: AZG1-906; AZH1-972;
AZJ1-1112; AZK1-968



00900264

MT800B SERIES TRACTORS
POWER TRAIN

421

180-4376 DIFFERENTIAL GP-STEERING

S/N: AZG1-906; AZH1-972;
AZJ1-1112; AZK1-968

| ITEM | NUMBER | QTY | DESCRIPTION |
|------|----------|-----|--|
| - | 180-4376 | - | DIFFERENTIAL GP-STEERING [A] (NOT SERVICED) |
| 5 | 1P-3958 | 8 | ROLLER AS-SPECIAL |
| 6 | 5M-0578 | 4 | BEARING AS-ROLLER |
| 11 | 6V-6654 | 1 | BEARING AS-ROLLER |
| 15 | 4K-3892 | 4 | DOWEL |
| 19 | 8E-8310 | 9 | DISC-THRUST |
| 20 | 8E-8316 | 8 | DISC-THRUST |
| 21 | 8E-8652 | 1 | DISC-THRUST |
| 22 | 8M-7160 | 1 | MAGNET |
| 27 | 174-9383 | 4 | SHAFT-PLANETARY |
| 30 | 176-1377 | 4 | PIN-SPRING |
| 31 | 179-9006 | 1 | GEAR-SUN (15-TEETH) |
| 32 | 239-9822 | 1 | GEAR-RING (72-TEETH) |
| 33 | 180-4379 | 4 | GEAR-PLANETARY (23-TEETH) |
| 34 | 180-4381 | 1 | GEAR-SUN (28-TEETH) |
| 35 | 180-4382 | 1 | CARRIER-PLANETARY |
| 36 | 180-4384 | 1 | GEAR-RING (75-TEETH) |
| 37 | 180-4387 | 1 | CARRIER-PLANETARY |
| 38 | 180-4502 | 2 | DISC-FRICTION |
| 39 | 180-4505 | 1 | PLATE |
| 44 | 183-3415 | 1 | GEAR (58-TEETH) |
| 45 | 183-3416 | 1 | SHAFT |
| 46 | 184-1693 | 1 | RING-RETAINING |
| 48 | 184-1695 | 2 | SEAL-RING |
| 49 | 184-1696 | 1 | DISC-THRUST |
| 50 | 184-1697 | 1 | DISC-THRUST |
| 51 | 185-4422 | 1 | RING-LOCK |
| 52 | 185-4423 | 1 | RING-RETAINING |
| 69 | 188-0635 | 1 | SEAL-BRAKE |
| 70 | 189-2089 | 1 | RING-LOCK |
| 81 | 199-7107 | 4 | SPRING |
| 84 | 210-8405 | 4 | BUSHING |
| 85 | 210-8406 | 4 | PLATE-SPRING |
| 86 | 221-5334 | 1 | PLATE-REACTION |
| 87 | 211-8280 | 1 | PISTON-BRAKE |
| 88 | 242-5086 | 1 | HOUSING AS |
| | 126-7260 | 1 | PLUG |
| 89 | 213-3269 | 1 | HUB-BRAKE |
| 90 | 213-3270 | 1 | SEAL-D-RING |
| 92 | 213-6191 | 1 | GEAR-SUN (34-TEETH) |
| 95 | 222-1903 | 4 | GEAR-PLANETARY (27-TEETH) |
| 98 | 223-0623 | 4 | SHAFT-PLANETARY |
| 104 | 9S-4181 | 1 | PLUG |
| | 7M-8485 | 1 | SEAL-O-RING |
| 105 | 9S-6130 | 1 | PLUG |
| | 2S-4078 | 1 | SEAL-O-RING |
| 111 | 3P-3441 | 1 | RING-RETAINING |
| 112 | 3S-2708 | 8 | PIN-SPRING |
| 113 | 4J-5140 | 2 | SEAL-O-RING |
| 120 | 6V-4442 | 1 | RING-RETAINING |
| 123 | 6V-8675 | 1 | BOLT (M12X1.75X35-MM) |
| 126 | 8T-0070 | 9 | BOLT (M20X2.5X120-MM) |

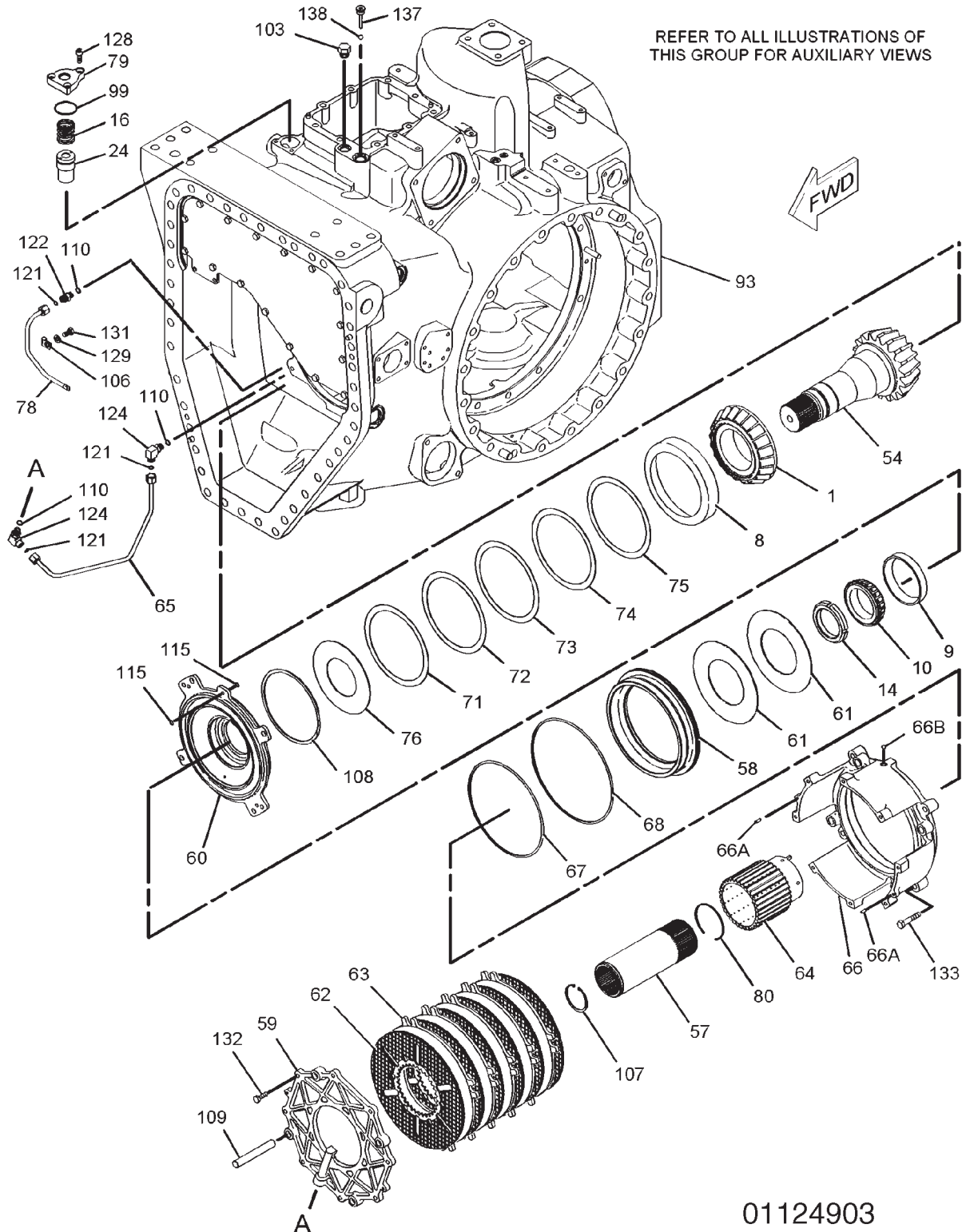
[A] 185-3955, 185-3956,
185-3957, 185-3958 AXLE AR

00900264
PR: t05b22n43d0172

MT800B SERIES TRACTORS
POWER TRAIN

180-4376 DIFFERENTIAL GP-STEERING

S/N: AZG907-950; AZH973-983;
AZJ1113-1434; AZK969-979



01124903

MT800B SERIES TRACTORS
POWER TRAIN

423

180-4376 DIFFERENTIAL GP-STEERING

S/N: AZG907-950; AZH973-983;
AZJ1113-1434; AZK969-979

| ITEM | NUMBER | QTY | DESCRIPTION |
|------|----------|-----|--|
| - | 180-4376 | - | DIFFERENTIAL GP-STEERING [A] (NOT SERVICED) |
| 1 | 124-9536 | 1 | CONE-BEARING |
| 8 | 5P-7843 | 1 | CUP-BEARING |
| 9 | 6F-2956 | 1 | CUP-BEARING |
| 10 | 6V-0347 | 1 | CONE-BEARING |
| 14 | 4H-6507 | 1 | LOCKNUT |
| 16 | 7H-0832 | 1 | SPRING |
| 24 | 163-0592 | 1 | VALVE GP-CHECK (HYDRAULIC) |
| | 061-7540 | 1 | SEAL-O-RING |
| 54 | 186-2868 | 1 | PINION-BEVEL (17-TEETH) |
| 57 | 187-1377 | 1 | COUPLING |
| 58 | 227-9327 | 1 | PISTON |
| 59 | 187-3367 | 1 | PLATE-END |
| 60 | 187-3368 | 1 | PLATE-SPRING |
| 61 | 187-3369 | 2 | SPRING |
| 62 | 187-3370 | 6 | DISC-FRICTION |
| 63 | 187-3371 | 6 | PLATE-CLUTCH |
| 64 | 187-3372 | 1 | HUB-CLUTCH |
| 65 | 187-3373 | 1 | TUBE AS |
| 66 | 187-3374 | 1 | HOUSING AS |
| 66A | 2H-1190 | 2 | DOWEL |
| 66B | 4B-9782 | 1 | BALL |
| 67 | 188-0632 | 1 | SEAL-BRAKE |
| 68 | 188-0633 | 1 | SEAL-BRAKE |
| 71 | 191-1907 | AR | SHIM (0.9MM THK) |
| 72 | 191-1908 | AR | SHIM (0.8MM THK) |
| 73 | 191-1909 | AR | SHIM (0.7MM THK) |
| 74 | 191-1910 | AR | SHIM (0.6MM THK) |
| 75 | 191-1911 | AR | SHIM (0.5MM THK) |
| 76 | 191-1912 | 1 | PLATE-RETAINER |
| 78 | 195-3252 | 1 | TUBE AS |
| 79 | 197-5411 | 1 | FLANGE |
| 80 | 198-0288 | 1 | RING-RETAINING |

CONTINUED

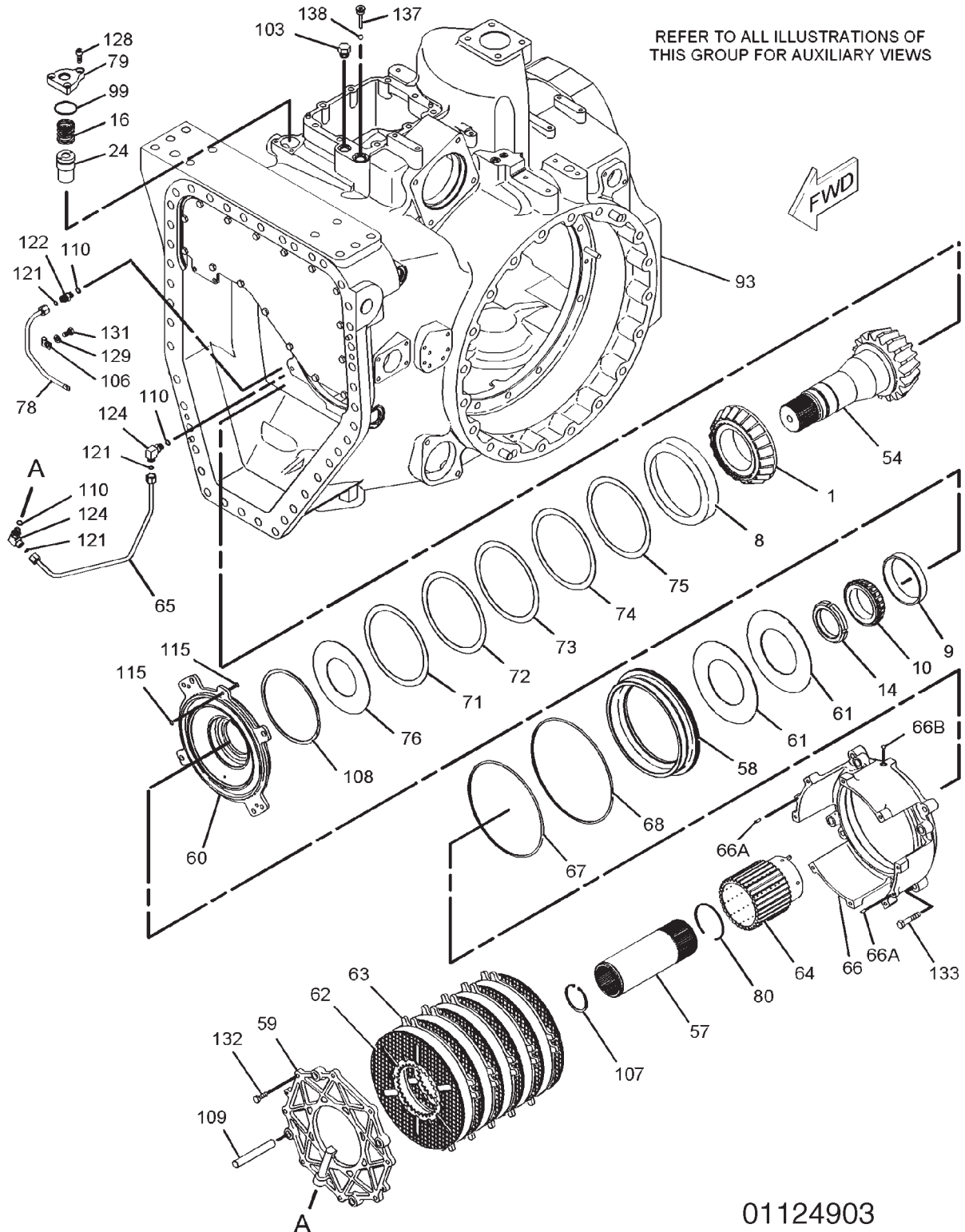
[A] 185-3955, 185-3956,
185-3957, 185-3958 AXLE AR
[C] CHANGE FROM PREVIOUS TYPE

01124903
PR: t05b22n43d0173

MT800B SERIES TRACTORS
POWER TRAIN

180-4376 DIFFERENTIAL GP-STEERING

S/N: AZG907-950; AZH973-983;
AZJ1113-1434; AZK969-979



01124903

MT800B SERIES TRACTORS
POWER TRAIN

425

180-4376 DIFFERENTIAL GP-STEERING

S/N: AZG907-950; AZH973-983;
AZJ1113-1434; AZK969-979

| ITEM | NUMBER | QTY | DESCRIPTION |
|------|----------|-----|---|
| - | 180-4376 | - | DIFFERENTIAL GP-STEERING [A] (NOT SERVICED) |
| 93 | 225-6958 | 1 | HOUSING GP-DIFFERENTIAL [C] (NOT SERVICED) (SEE BREAKDOWN FOR COMPONENTS) |
| 99 | 005-8593 | 1 | SEAL-O-RING |
| 103 | 9S-4190 | 1 | PLUG |
| 106 | 1F-7567 | 1 | CLIP |
| 107 | 2H-5549 | 1 | RING-RETAINING |
| 108 | 2K-1381 | 1 | RING-RETAINING |
| 109 | 2Y-7489 | 4 | DOWEL |
| 110 | 3J-1907 | 3 | SEAL-O-RING |
| 115 | 5H-6005 | 2 | SEAL-O-RING |
| 121 | 6V-8397 | 3 | SEAL-O-RING |
| 122 | 6V-8636 | 1 | CONNECTOR |
| 124 | 6V-8724 | 2 | ELBOW |
| 128 | 8T-1159 | 3 | BOLT-SOCKET HEAD (M10X1.5X25-MM) |
| 129 | 8T-4121 | 1 | WASHER-HARD (11X21X2.5-MM THK) |
| 131 | 8T-4137 | 1 | BOLT (M10X1.5X20-MM) |
| 132 | 8T-4195 | 10 | BOLT (M10X1.5X30-MM) |
| 133 | 8T-4910 | 4 | BOLT (M12X1.75X60-MM) |
| 137 | 223-1637 | 1 | PLUG AS |
| 138 | 4B-9783 | 1 | BALL |

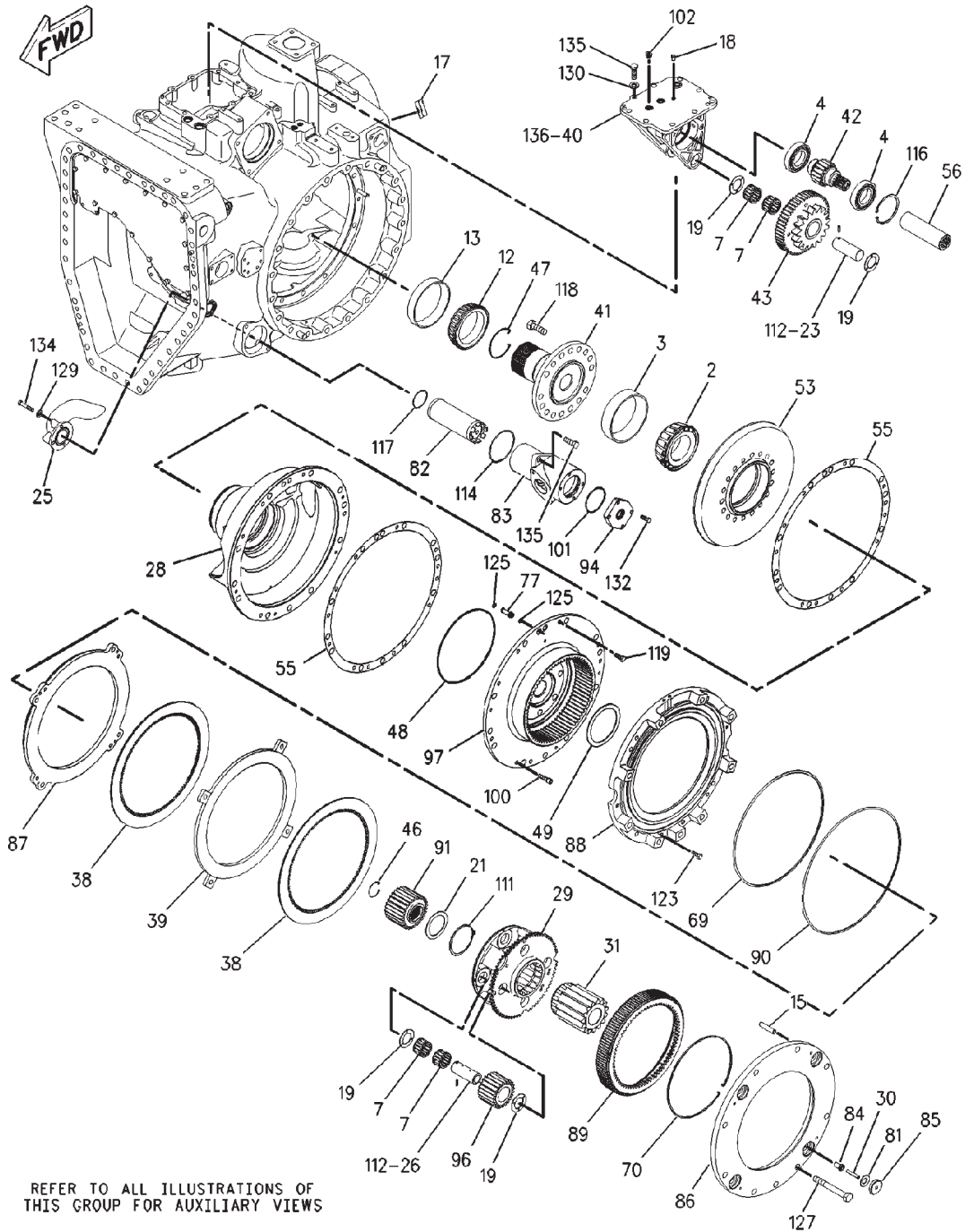
[A] 185-3955, 185-3956,
185-3957, 185-3958 AXLE AR
[C] CHANGE FROM PREVIOUS TYPE

01124903
PR: t05b22n43d0173

MT800B SERIES TRACTORS POWER TRAIN

180-4376 DIFFERENTIAL GP-STEERING

S/N: AZG907-950; AZH973-983;
AZJ1113-1434; AZK969-979



REFER TO ALL ILLUSTRATIONS OF
THIS GROUP FOR AUXILIARY VIEWS

00897500

MT800B SERIES TRACTORS
POWER TRAIN

427

180-4376 DIFFERENTIAL GP-STEERING

S/N: AZG907-950; AZH973-983;
AZJ1113-1434; AZK969-979

| ITEM | NUMBER | QTY | DESCRIPTION |
|------|----------|-----|--|
| - | 180-4376 | - | DIFFERENTIAL GP-STEERING [A] (NOT SERVICED) |
| 2 | 132-6597 | 1 | CONE-BEARING |
| 3 | 132-6598 | 1 | CUP-BEARING |
| 4 | 1F-2771 | 2 | BALL BEARING |
| 7 | 5P-6254 | 10 | BEARING |
| 12 | 8D-2256 | 1 | CONE-BEARING |
| 13 | 9K-1171 | 1 | CUP-BEARING |
| 15 | 4K-3892 | 4 | DOWEL |
| 17 | 7X-7816 | 1 | PLATE-SERIAL NUMBER (TRANSMISSION) |
| | | 2 | TACK |
| 18 | 8C-5224 | 3 | PLUG-SEAL |
| 19 | 8E-8310 | 9 | DISC-THRUST |
| 21 | 8E-8652 | 1 | DISC-THRUST |
| 23 | 111-7068 | 1 | SHAFT AS |
| | 2A-3746 | 1 | PLUG-CUP |
| 25 | | 1 | TUBE |
| 26 | 174-9381 | 4 | SHAFT-PLANETARY |
| 28 | 174-9407 | 1 | SUPPOT |
| 29 | 174-9410 | 1 | CARRIER-PLANETARY |
| 30 | 176-1377 | 4 | PIN-SPRING |
| 31 | 179-9006 | 1 | GEAR-SUN (15-TEETH) |
| 38 | 180-4502 | 2 | DISC-FRICTION |
| 39 | 180-4505 | 1 | PLATE |
| 40 | 180-8428 | 1 | SUPPORT AS |
| | 2A-3746 | 4 | PLUG-CUP |
| 41 | 183-3411 | 1 | SHAFT-BEVEL GEAR |
| 42 | 183-3413 | 1 | GEAR (18-TEETH) |
| 43 | 183-3414 | 1 | GEAR (54-TEETH) |
| 46 | 184-1693 | 1 | RING-RETAINING |
| 47 | 184-1694 | 1 | RING-RETAINING |
| 48 | 184-1695 | 1 | SEAL-RING |
| 49 | 184-1696 | 1 | DISC-THRUST |
| 53 | 186-2867 | 1 | GEAR-BEVEL (48-TEETH) |
| 55 | 186-2869 | 2 | SHIM PACK (INCLUDES 14-SHIMS) |
| 56 | 235-6166 | 1 | COUPLING |
| 69 | 188-0635 | 1 | SEAL-BRAKE |
| 70 | 189-2089 | 1 | RING-LOCK |
| 81 | 199-7107 | 4 | SPRING |
| 82 | 207-5993 | 1 | SCREEN |
| 83 | 207-7007 | 1 | HOUSING |
| 84 | 210-8405 | 4 | BUSHING |
| 85 | 210-8406 | 4 | PLATE-SPRING |
| 86 | 221-5334 | 1 | PLATE-REACTION |
| 87 | 211-8280 | 1 | PISTON-BRAKE |
| 88 | 242-5086 | 1 | HOUSING AS |
| | 126-7260 | 1 | PLUG |
| 89 | 213-3269 | 1 | HUB-BRAKE |

CONTINUED

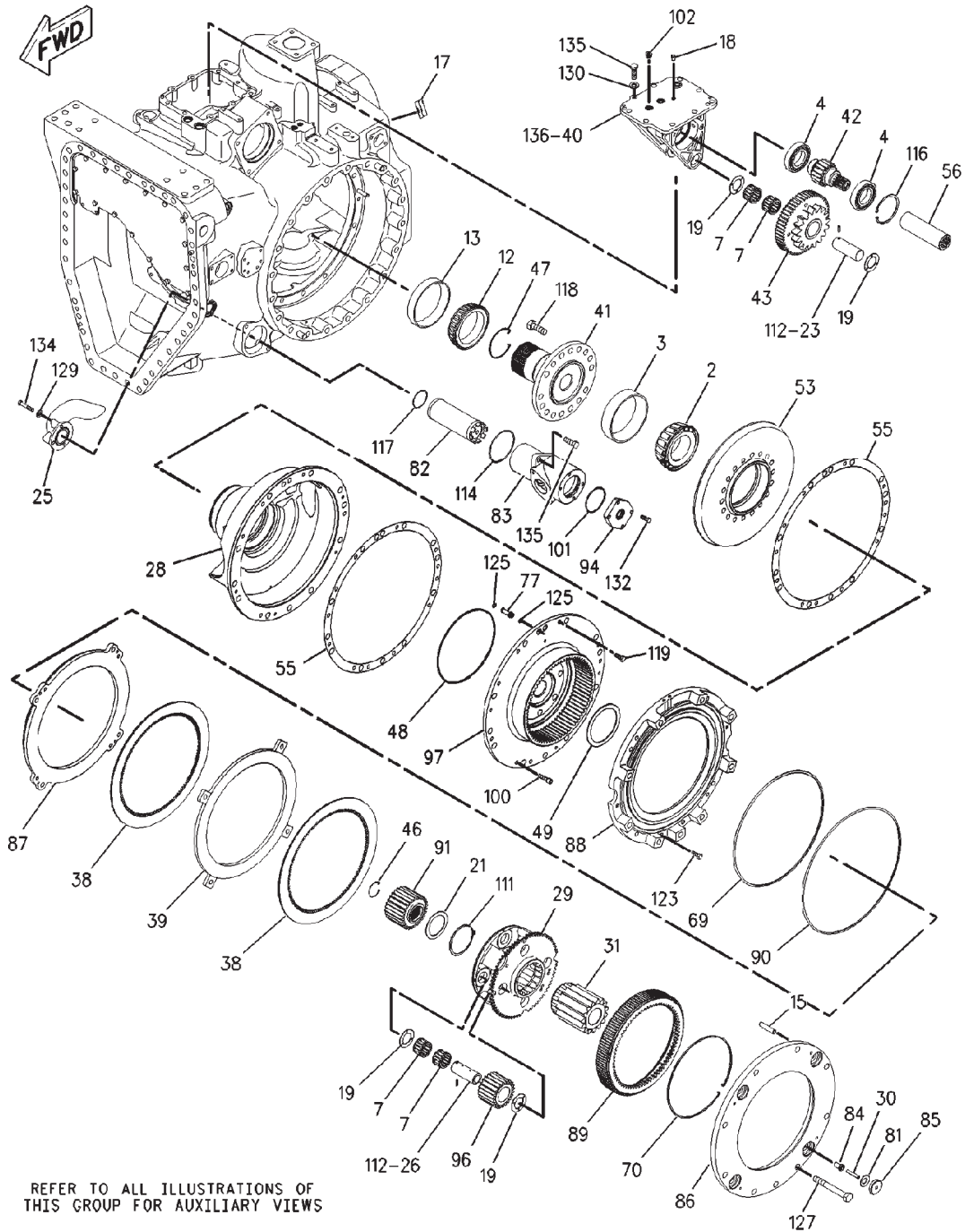
[A] 185-3955, 185-3956,
185-3957, 185-3958 AXLE AR

00897500
PR: t05b22n43d0174

MT800B SERIES TRACTORS
POWER TRAIN

180-4376 DIFFERENTIAL GP-STEERING

S/N: AZG907-950; AZH973-983;
AZJ1113-1434; AZK969-979



REFER TO ALL ILLUSTRATIONS OF
THIS GROUP FOR AUXILIARY VIEWS

MT800B SERIES TRACTORS
POWER TRAIN

429

180-4376 DIFFERENTIAL GP-STEERING

S/N: AZG907-950; AZH973-983;
AZJ1113-1434; AZK969-979

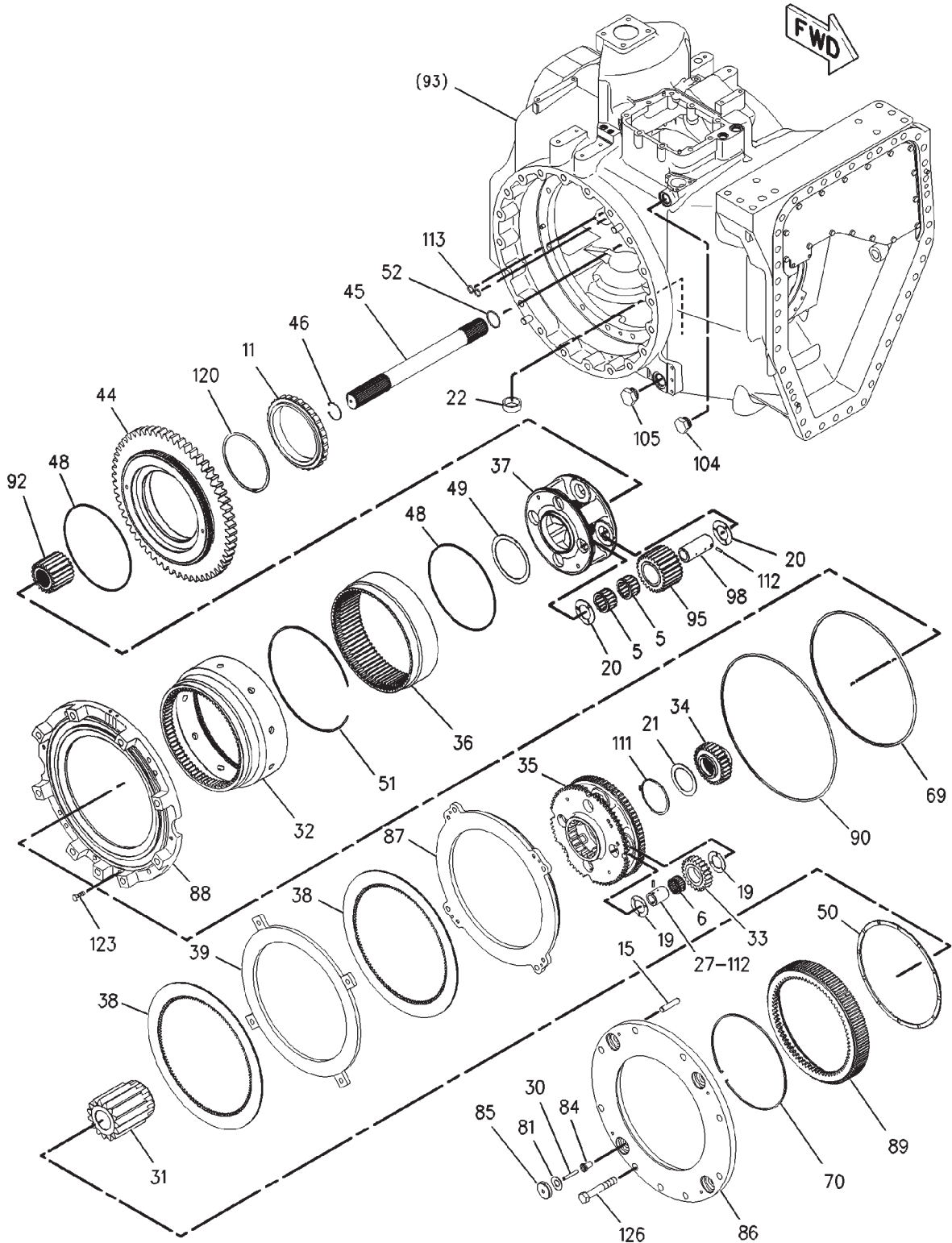
| ITEM | NUMBER | QTY | DESCRIPTION |
|------|----------|-----|---------------------------------------|
| - | 180-4376 | - | DIFFERENTIAL GP [A] (NOT SERVICED) |
| 90 | 213-3270 | 1 | SEAL-D-RING |
| 91 | 213-6190 | 1 | GEAR-SUN (28-TEETH) |
| 94 | 221-0691 | 1 | COVER |
| 96 | 222-1904 | 4 | GEAR-PLANETARY (23-TEETH) |
| 97 | 252-2226 | 1 | GEAR-RING |
| 100 | 095-0670 | 3 | BOLT (M12X1.75X45-MM) |
| 101 | 131-3718 | 1 | SEAL-O-RING |
| 102 | 9S-8005 | 1 | PLUG |
| | 3K-0360 | 1 | SEAL-O-RING |
| 111 | 3P-3441 | 1 | RING-RETAINING |
| 112 | 3S-2708 | 5 | PIN-SPRING |
| 114 | 5F-3144 | 1 | SEAL-O-RING |
| 116 | 5L-4751 | 1 | RING-RETAINING |
| 117 | 5M-6509 | 1 | SEAL-O-RING |
| 118 | 6V-3532 | 16 | BOLT (M20X2.5X60-MM) |
| 119 | 6V-3668 | 6 | BOLT (M12X1.75X30-MM) |
| 123 | 6V-8675 | 1 | BOLT (M12X1.75X35-MM) |
| 125 | 8L-2777 | 4 | SEAL-O-RING |
| 127 | 8T-0657 | 9 | BOLT (M20X2.5X160-MM) |
| 129 | 8T-4121 | 3 | WASHER-HARD (11X21X2.5-MM THK) |
| 130 | 8T-4122 | 9 | WASHER-HARD (17X32X3.5-MM THK) |
| 132 | 8T-4195 | 4 | BOLT (M10X1.5X30-MM) |
| 134 | 8T-6466 | 3 | BOLT (M10X1.5X60-MM) |
| 135 | 8T-7338 | 11 | BOLT (M16X2X45-MM) |
| 136 | 1U-8846 | AR | SEALANT-GASKET |

[A] 185-3955, 185-3956,
185-3957, 185-3958 AXLE AR

00897500
PR: t05b22n43d0174

MT800B SERIES TRACTORS POWER TRAIN

180-4376 DIFFERENTIAL GP-STEERING
S/N: AZG907-950; AZH973-983;
AZJ1113-1434; AZK969-979



00900264

MT800B SERIES TRACTORS
POWER TRAIN

431

180-4376 DIFFERENTIAL GP-STEERING

S/N: AZG907-950; AZH973-983;
AZJ1113-1434; AZK969-979

| ITEM | NUMBER | QTY | DESCRIPTION |
|------|----------|-----|--|
| - | 180-4376 | - | DIFFERENTIAL GP-STEERING [A] (NOT SERVICED) |
| 5 | 1P-3958 | 8 | ROLLER AS-SPECIAL |
| 6 | 5M-0578 | 4 | BEARING AS-ROLLER |
| 11 | 6V-6654 | 1 | BEARING AS-ROLLER |
| 15 | 4K-3892 | 4 | DOWEL |
| 19 | 8E-8310 | 8 | DISC-THRUST |
| 20 | 8E-8316 | 8 | DISC-THRUST |
| 21 | 8E-8652 | 1 | DISC-THRUST |
| 22 | 8M-7160 | 1 | MAGNET |
| 27 | 174-9383 | 4 | SHAFT-PLANETARY |
| 30 | 176-1377 | 4 | PIN-SPRING |
| 31 | 179-9006 | 1 | GEAR-SUN (15-TEETH) |
| 32 | 239-9822 | 1 | GEAR-RING (72-TEETH) |
| 33 | 180-4379 | 4 | GEAR-PLANETARY (23-TEETH) |
| 34 | 180-4381 | 1 | GEAR-SUN (28-TEETH) |
| 35 | 180-4382 | 1 | CARRIER-PLANETARY |
| 36 | 180-4384 | 1 | GEAR-RING (75-TEETH) |
| 37 | 180-4387 | 1 | CARRIER-PLANETARY |
| 38 | 180-4502 | 2 | DISC-FRICTION |
| 39 | 180-4505 | 1 | PLATE |
| 44 | 183-3415 | 1 | GEAR (58-TEETH) |
| 45 | 183-3416 | 1 | SHAFT |
| 46 | 184-1693 | 1 | RING-RETAINING |
| 48 | 184-1695 | 2 | SEAL-RING |
| 49 | 184-1696 | 1 | DISC-THRUST |
| 50 | 184-1697 | 1 | DISC-THRUST |
| 51 | 185-4422 | 1 | RING-LOCK |
| 52 | 185-4423 | 1 | RING-RETAINING |
| 69 | 188-0635 | 1 | SEAL-BRAKE |
| 70 | 189-2089 | 1 | RING-LOCK |
| 81 | 199-7107 | 4 | SPRING |
| 84 | 210-8405 | 4 | BUSHING |
| 85 | 210-8406 | 4 | PLATE-SPRING |
| 86 | 221-5334 | 1 | PLATE-REACTION |
| 87 | 211-8280 | 1 | PISTON-BRAKE |
| 88 | 242-5086 | 1 | HOUSING AS |
| | 126-7260 | 1 | PLUG |
| 89 | 213-3269 | 1 | HUB-BRAKE |
| 90 | 213-3270 | 1 | SEAL-D-RING |
| 92 | 213-6191 | 1 | GEAR-SUN (34-TEETH) |
| 95 | 222-1903 | 4 | GEAR-PLANETARY (27-TEETH) |
| 98 | 223-0623 | 4 | SHAFT-PLANETARY |
| 104 | 9S-4181 | 1 | PLUG |
| | 7M-8485 | 1 | SEAL-O-RING |
| 105 | 9S-6130 | 1 | PLUG |
| | 2S-4078 | 1 | SEAL-O-RING |
| 111 | 3P-3441 | 1 | RING-RETAINING |
| 112 | 3S-2708 | 8 | PIN-SPRING |
| 113 | 4J-5140 | 2 | SEAL-O-RING |
| 120 | 6V-4442 | 1 | RING-RETAINING |
| 123 | 6V-8675 | 1 | BOLT (M12X1.75X35-MM) |
| 126 | 8T-0070 | 9 | BOLT (M20X2.5X120-MM) |

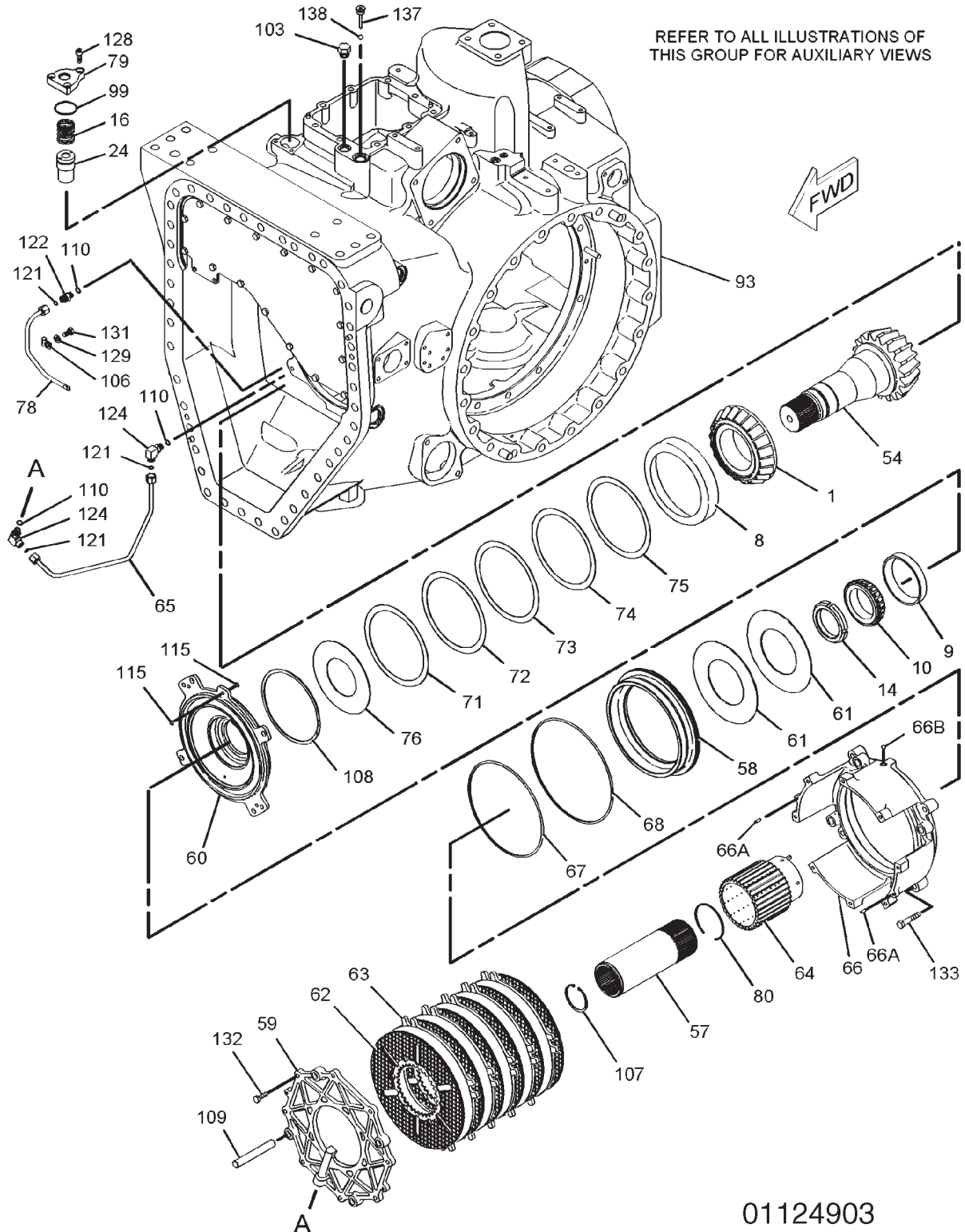
[A] 185-3955, 185-3956,
185-3957, 185-3958 AXLE AR

00900264
PR: t05b22n43d0175

MT800B SERIES TRACTORS
POWER TRAIN

180-4376 DIFFERENTIAL GP-STEERING

S/N: AZG951-1012; AZH984-1004;
AZJ1435-1896; AZK980-1002



01124903

MT800B SERIES TRACTORS
POWER TRAIN

433

180-4376 DIFFERENTIAL GP-STEERING
S/N: AZG951-1012; AZH984-1004;
AZJ1435-1896; AZK980-1002

| ITEM | NUMBER | QTY | DESCRIPTION |
|------|----------|-----|---|
| - | 180-4376 | - | DIFFERENTIAL GP-STEERING [A] (NOT SERVICED) |
| 1 | 124-9536 | 1 | CONE-BEARING |
| 8 | 5P-7843 | 1 | CUP-BEARING |
| 9 | 6F-2956 | 1 | CUP-BEARING |
| 10 | 6V-0347 | 1 | CONE-BEARING |
| 14 | 4H-6507 | 1 | LOCKNUT |
| 16 | 7H-0832 | 1 | SPRING |
| 24 | 163-0592 | 1 | VALVE GP-CHECK (HYDRAULIC) |
| | 061-7540 | 1 | SEAL-O-RING |
| 54 | 186-2868 | 1 | PINION-BEVEL (17-TEETH) |
| 57 | 187-1377 | 1 | COUPLING |
| 58 | 227-9327 | 1 | PISTON |
| 59 | 187-3367 | 1 | PLATE-END |
| 60 | 187-3368 | 1 | PLATE-SPRING |
| 61 | 187-3369 | 2 | SPRING |
| 62 | 187-3370 | 6 | DISC-FRICTION |
| 63 | 187-3371 | 6 | PLATE-CLUTCH |
| 64 | 187-3372 | 1 | HUB-CLUTCH |
| 65 | 187-3373 | 1 | TUBE AS |
| 66 | 187-3374 | 1 | HOUSING AS |
| 66A | 2H-1190 | 2 | DOWEL |
| 66B | 4B-9782 | 1 | BALL |
| 67 | 188-0632 | 1 | SEAL-BRAKE |
| 68 | 188-0633 | 1 | SEAL-BRAKE |
| 71 | 191-1907 | AR | SHIM (0.9MM THK) |
| 72 | 191-1908 | AR | SHIM (0.8MM THK) |
| 73 | 191-1909 | AR | SHIM (0.7MM THK) |
| 74 | 191-1910 | AR | SHIM (0.6MM THK) |
| 75 | 191-1911 | AR | SHIM (0.5MM THK) |
| 76 | 191-1912 | 1 | PLATE-RETAINER |
| 78 | 195-3252 | 1 | TUBE AS |
| 79 | 197-5411 | 1 | FLANGE |
| 80 | 198-0288 | 1 | RING-RETAINING |
| 93 | 242-0962 | 1 | HOUSING GP-DIFFERENTIAL [C] (SEE BREAKDOWN FOR COMPONENTS) |
| 99 | 005-8593 | 1 | SEAL-O-RING |

CONTINUED

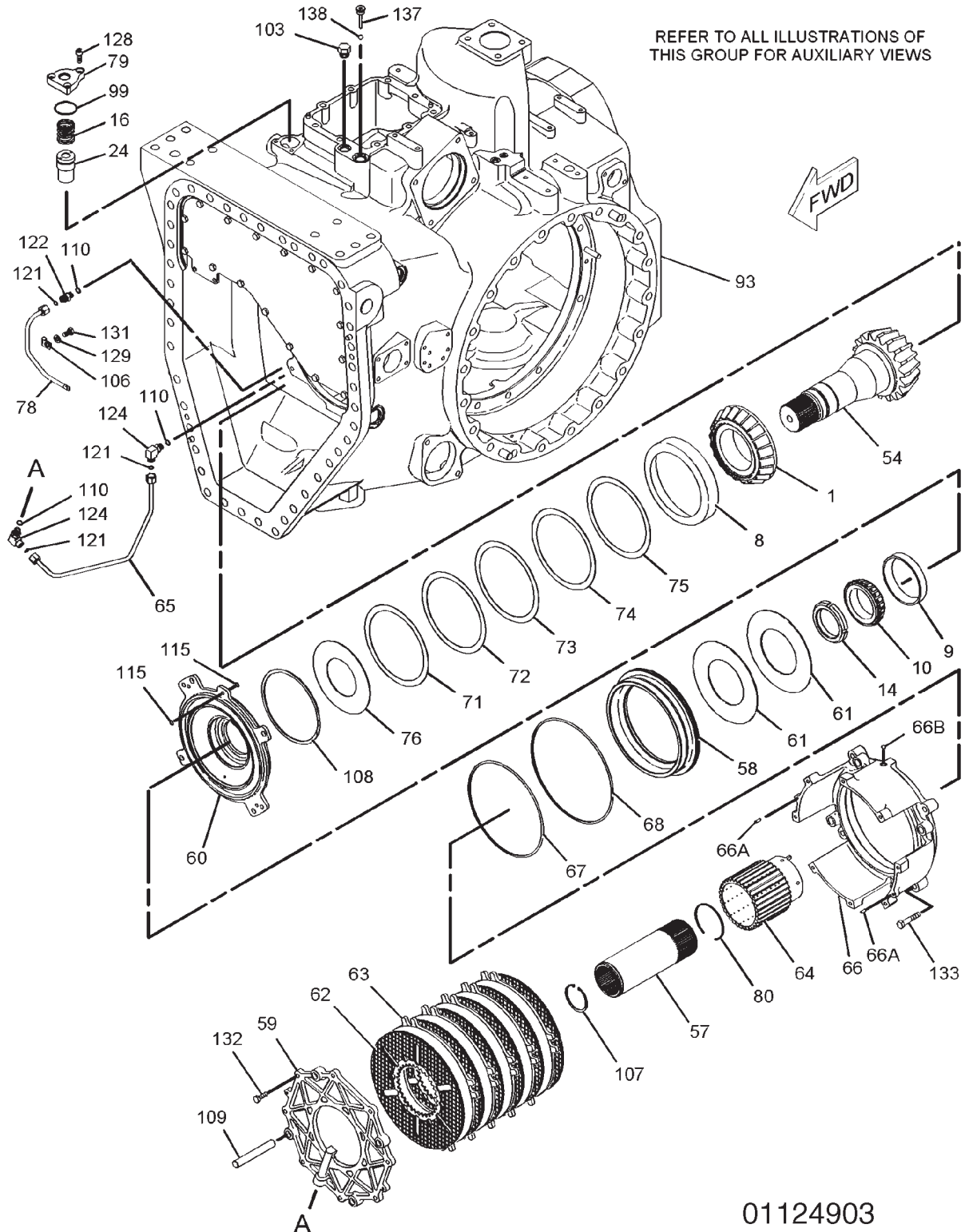
[A] 185-3955, 185-3956,
185-3957, 185-3958 AXLE AR
[C] CHANGE FROM PREVIOUS TYPE

01124903
PR: t05b22n43d0176

MT800B SERIES TRACTORS
POWER TRAIN

180-4376 DIFFERENTIAL GP-STEERING

S/N: AZG951-1012; AZH984-1004;
AZJ1435-1896; AZK980-1002



01124903

MT800B SERIES TRACTORS
POWER TRAIN

435

180-4376 DIFFERENTIAL GP-STEERING
S/N: AZG951-1012; AZH984-1004;
AZJ1435-1896; AZK980-1002

| ITEM | NUMBER | QTY | DESCRIPTION |
|------|----------|-----|--|
| - | 180-4376 | - | DIFFERENTIAL GP-STEERING [A] (NOT SERVICED) |
| 103 | 9S-4190 | 1 | PLUG |
| | 2M-9780 | 1 | SEAL-O-RING |
| 106 | 1F-7567 | 1 | CLIP |
| 107 | 2H-5549 | 1 | RING-RETAINING |
| 108 | 2K-1381 | 1 | RING-RETAINING |
| 109 | 2Y-7489 | 4 | DOWEL |
| 110 | 3J-1907 | 3 | SEAL-O-RING |
| 115 | 5H-6005 | 2 | SEAL-O-RING |
| 121 | 6V-8397 | 3 | SEAL-O-RING |
| 122 | 6V-8636 | 1 | CONNECTOR |
| 124 | 6V-8724 | 2 | ELBOW |
| 128 | 8T-1159 | 3 | BOLT-SOCKET HEAD (M10X1.5X25-MM) |
| 129 | 8T-4121 | 1 | WASHER-HARD (11X21X2.5-MM THK) |
| 131 | 8T-4137 | 1 | BOLT (M10X1.5X20-MM) |
| 132 | 8T-4195 | 10 | BOLT (M10X1.5X30-MM) |
| 133 | 8T-4910 | 4 | BOLT (M12X1.75X60-MM) |
| 137 | 223-1637 | 1 | PLUG AS |
| 138 | 4B-9783 | 1 | BALL |

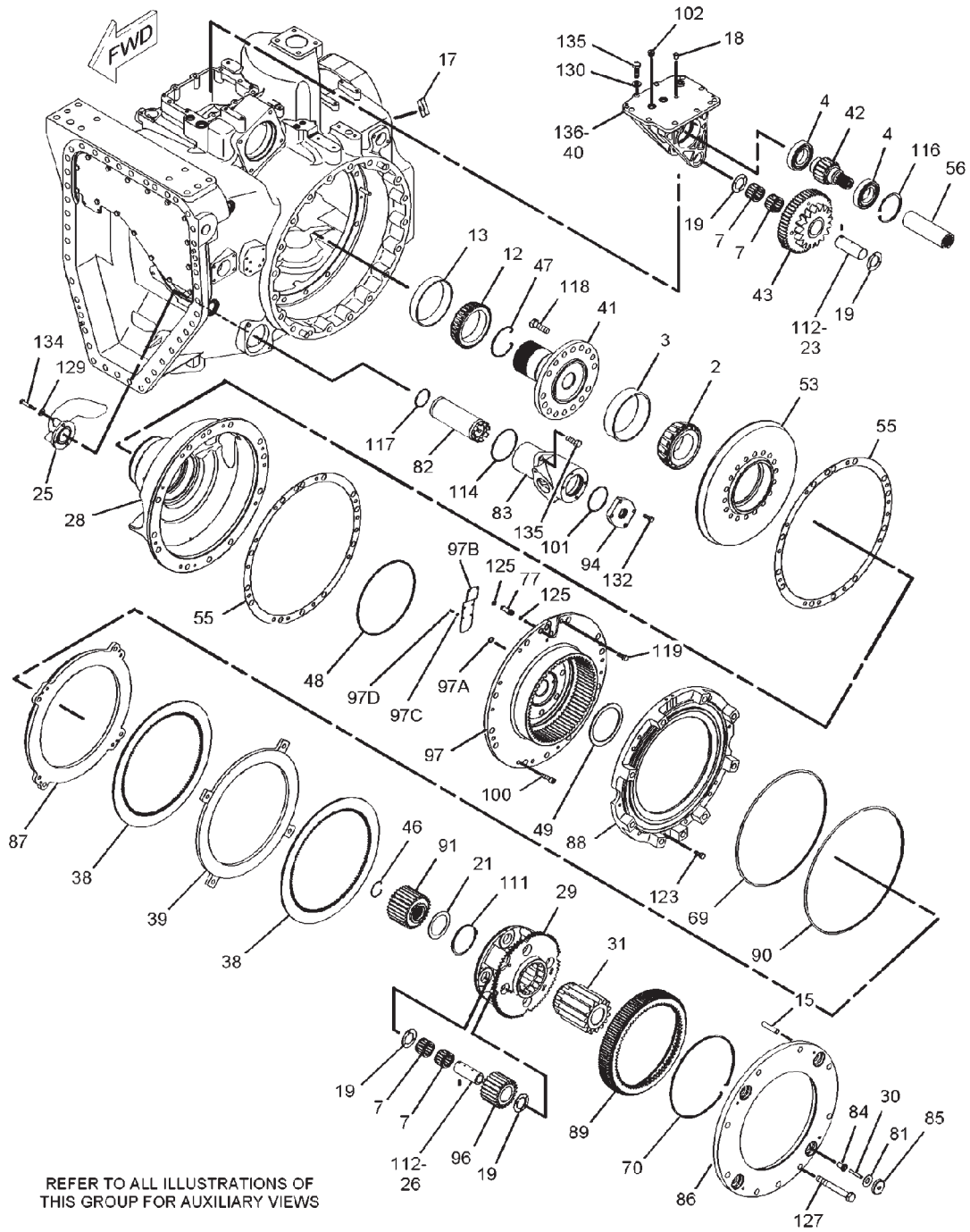
[A] 185-3955, 185-3956,
185-3957, 185-3958 AXLE AR

01124903
PR: t05b22n43d0176

MT800B SERIES TRACTORS POWER TRAIN

180-4376 DIFFERENTIAL GP-STEERING

S/N: AZG951-1012; AZH984-1004;
AZJ1435-1896; AZK980-1002



REFER TO ALL ILLUSTRATIONS OF
THIS GROUP FOR AUXILIARY VIEWS

MT800B SERIES TRACTORS
POWER TRAIN

437

180-4376 DIFFERENTIAL GP-STEERING
S/N: AZG951-1012; AZH984-1004;
AZJ1435-1896; AZK980-1002

| ITEM | NUMBER | QTY | DESCRIPTION |
|------|----------|-----|--|
| - | 180-4376 | - | DIFFERENTIAL GP-STEERING [A] (NOT SERVICED) |
| 2 | 132-6597 | 1 | CONE-BEARING |
| 3 | 132-6598 | 1 | CUP-BEARING |
| 4 | 1F-2771 | 2 | BALL BEARING |
| 7 | 5P-6254 | 10 | BEARING |
| 12 | 8D-2256 | 1 | CONE-BEARING |
| 13 | 9K-1171 | 1 | CUP-BEARING |
| 15 | 4K-3892 | 4 | DOWEL |
| 17 | 7X-7816 | 1 | PLATE-SERIAL NUMBER (TRANSMISSION) |
| | | 2 | TACK |
| 18 | 8C-5224 | 3 | PLUG-SEAL |
| 19 | 8E-8310 | 10 | DISC-THRUST |
| 21 | 8E-8652 | 1 | DISC-THRUST |
| 23 | 111-7068 | 1 | SHAFT AS |
| | 2A-3746 | 1 | PLUG-CUP |
| 25 | | 1 | TUBE |
| 26 | 174-9381 | 4 | SHAFT-PLANETARY |
| 28 | 174-9407 | 1 | SUPPOT |
| 29 | 174-9410 | 1 | CARRIER-PLANETARY |
| 30 | 176-1377 | 4 | PIN-SPRING |
| 31 | 179-9006 | 1 | GEAR-SUN (15-TEETH) |
| 38 | 180-4502 | 2 | DISC-FRICTION |
| 39 | 180-4505 | 1 | PLATE |
| 40 | 180-8428 | 1 | SUPPORT AS |
| | 2A-3746 | 4 | PLUG-CUP |
| 41 | 183-3411 | 1 | SHAFT-BEVEL GEAR |
| 42 | 183-3413 | 1 | GEAR (18-TEETH) |
| 43 | 183-3414 | 1 | GEAR (54-TEETH) |
| 46 | 184-1693 | 1 | RING-RETAINING |
| 47 | 184-1694 | 1 | RING-RETAINING |
| 48 | 184-1695 | 1 | SEAL-RING |
| 49 | 184-1696 | 1 | DISC-THRUST |
| 53 | 186-2867 | 1 | GEAR-BEVEL (48-TEETH) |
| 55 | 186-2869 | 2 | SHIM PACK (INCLUDES 14-SHIMS) |
| 56 | 235-6166 | 1 | COUPLING |
| 69 | 188-0635 | 1 | SEAL-BRAKE |
| 70 | 189-2089 | 1 | RING-LOCK |
| 77 | 192-5602 | 2 | SLEEVE |
| 81 | 199-7107 | 4 | SPRING |
| 82 | 207-5993 | 1 | SCREEN |
| 83 | 207-7007 | 1 | HOUSING |
| 84 | 210-8405 | 4 | BUSHING |
| 85 | 210-8406 | 4 | PLATE-SPRING |
| 86 | 221-5334 | 1 | PLATE-REACTION |
| 87 | 211-8280 | 1 | PISTON-BRAKE |
| 88 | 242-5086 | 2 | HOUSING AS |
| | 126-7260 | 2 | PLUG |
| 89 | 213-3269 | 2 | HUB-BRAKE |

CONTINUED

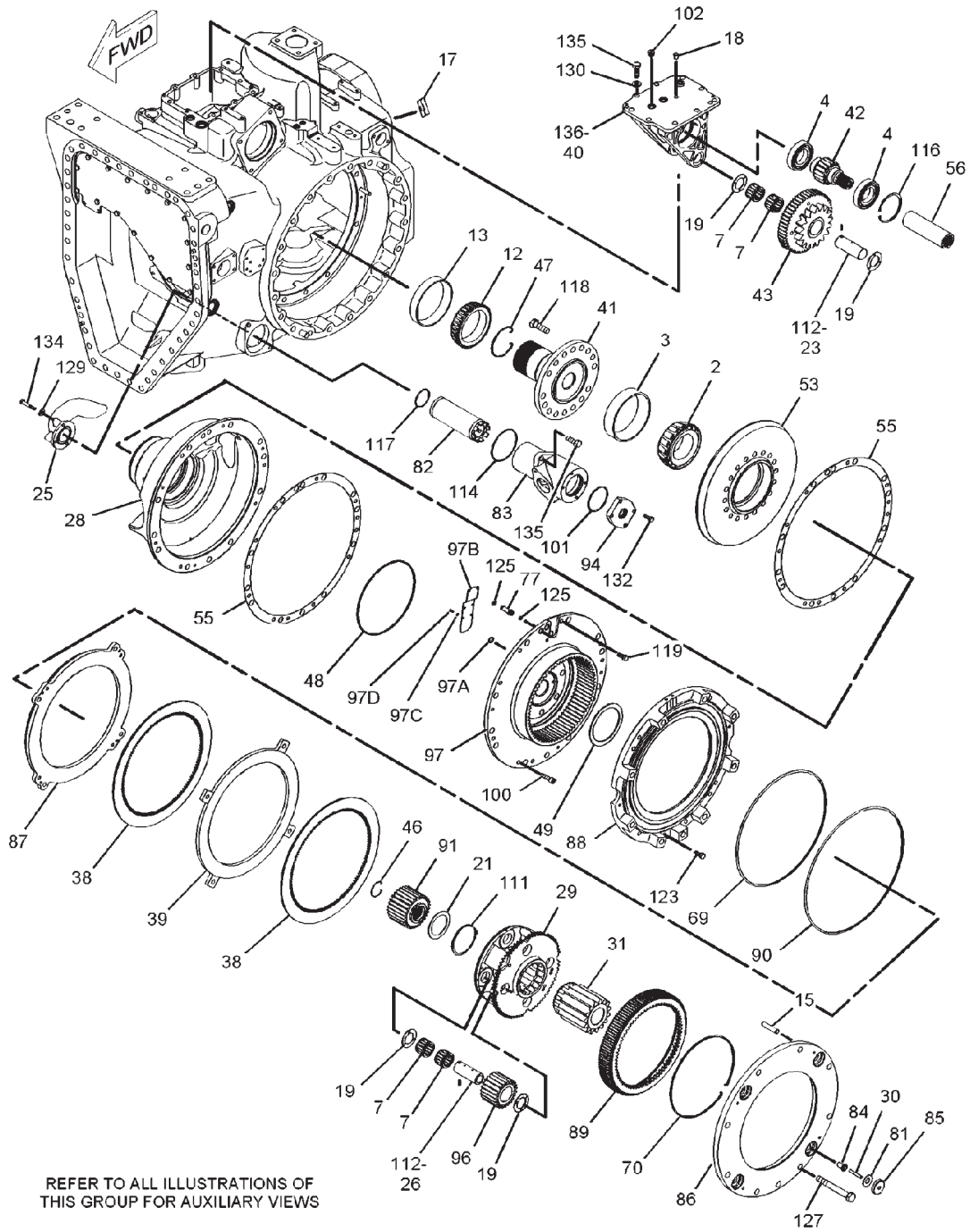
[A] 185-3955, 185-3956,
185-3957, 185-3958 AXLE AR

01125249
PR: t05b22n43d0177

MT800B SERIES TRACTORS
POWER TRAIN

180-4376 DIFFERENTIAL GP-STEERING

S/N: AZG951-1012; AZH984-1004;
AZJ1435-1896; AZK980-1002



REFER TO ALL ILLUSTRATIONS OF
THIS GROUP FOR AUXILIARY VIEWS

MT800B SERIES TRACTORS
POWER TRAIN

439

180-4376 DIFFERENTIAL GP-STEERING
 S/N: AZG951-1012; AZH984-1004;
 AZJ1435-1896; AZK980-1002

| ITEM | NUMBER | QTY | DESCRIPTION |
|------|----------|-----|---------------------------------------|
| - | 180-4376 | - | DIFFERENTIAL GP [A] (NOT SERVICED) |
| 90 | 213-3270 | 1 | SEAL-D-RING |
| 91 | 213-6190 | 1 | GEAR-SUN (28-TEETH) |
| 94 | 221-0691 | 1 | COVER |
| 96 | 222-1904 | 4 | GEAR-PLANETARY (23-TEETH) |
| 97 | 252-2227 | 1 | GEAR AS-RING |
| 97A | 4N-0952 | 1 | PLUG-CUP |
| 97B | 244-3699 | 1 | PLATE |
| 97C | 096-6166 | 6 | WASHER-HARD (4.5X9X1-MM THK) |
| 97D | 8T-0285 | 6 | SCREW-MACHINE (M4X0.7X12-MM) |
| 100 | 095-0670 | 3 | BOLT (M12X1.75X45-MM) |
| 101 | 131-3718 | 1 | SEAL-O-RING |
| 102 | 9S-8005 | 1 | PLUG |
| | 3K-0360 | 1 | SEAL-O-RING |
| 111 | 3P-3441 | 1 | RING-RETAINING |
| 112 | 3S-2708 | 5 | PIN-SPRING |
| 114 | 5F-3144 | 1 | SEAL-O-RING |
| 116 | 5L-4751 | 1 | RING-RETAINING |
| 117 | 5M-6509 | 1 | SEAL-O-RING |
| 118 | 6V-3532 | 16 | BOLT (M20X2.5X60-MM) |
| 119 | 6V-3668 | 6 | BOLT (M12X1.75X30-MM) |
| 123 | 6V-8675 | 1 | BOLT (M12X1.75X35-MM) |
| 125 | 8L-2777 | 4 | SEAL-O-RING |
| 127 | 8T-0657 | 9 | BOLT (M20X2.5X160-MM) |
| 129 | 8T-4121 | 3 | WASHER-HARD (11X21X2.5-MM THK) |
| 130 | 8T-4122 | 9 | WASHER-HARD (17X32X3.5-MM THK) |
| 132 | 8T-4195 | 4 | BOLT (M10X1.5X30-MM) |
| 134 | 8T-6466 | 3 | BOLT (M10X1.5X60-MM) |
| 135 | 8T-7338 | 11 | BOLT (M16X2X45-MM) |
| 136 | 1U-8846 | AR | SEALANT-GASKET |

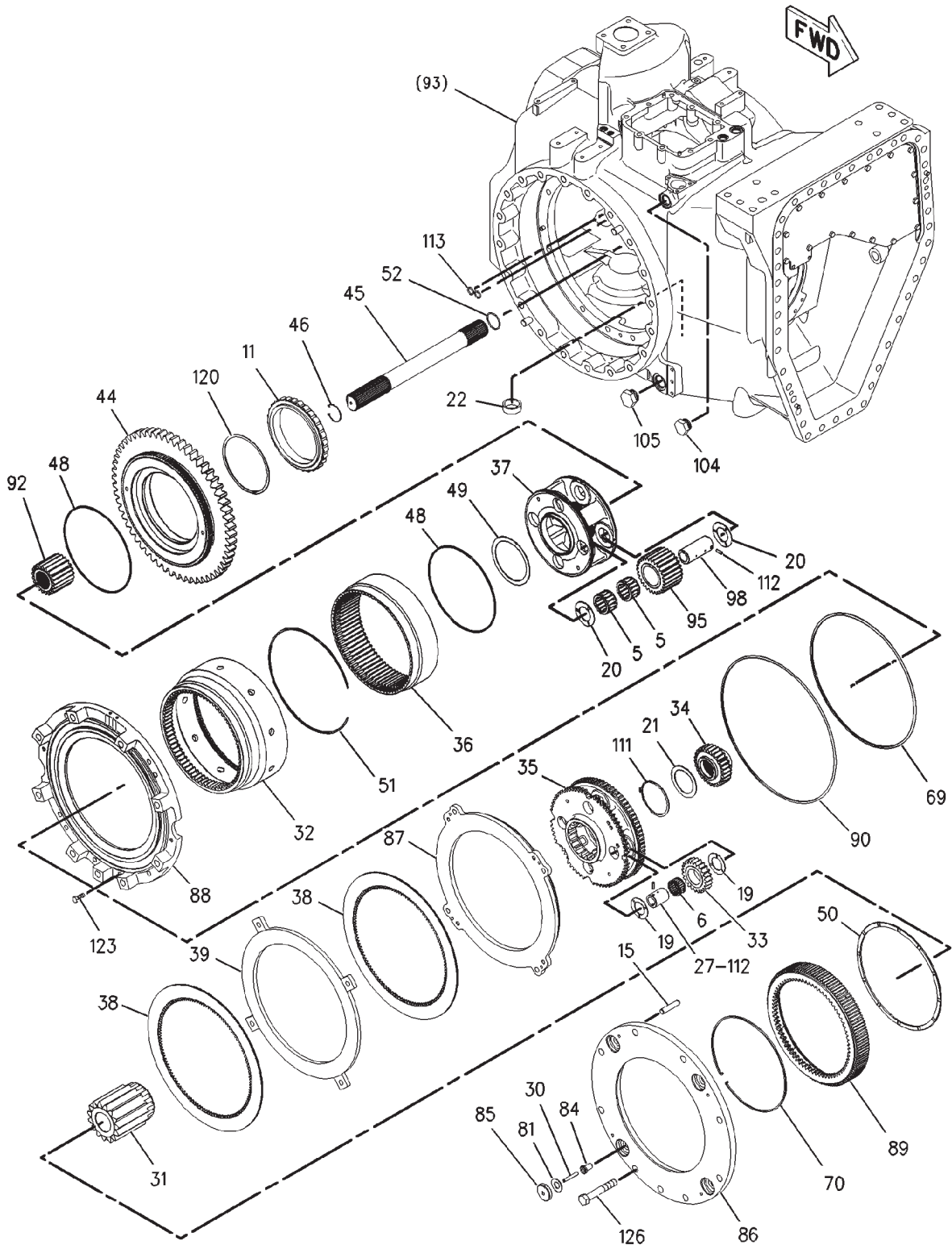
[A] 185-3955, 185-3956,
 185-3957, 185-3958 AXLE AR

01125249
 PR: t05b22n43d0177

MT800B SERIES TRACTORS POWER TRAIN

180-4376 DIFFERENTIAL GP-STEERING

S/N: AZG951-1012; AZH984-1004;
AZJ1435-1896; AZK980-1002



00900264

**MT800B SERIES TRACTORS
POWER TRAIN**

441

180-4376 DIFFERENTIAL GP-STEERING
S/N: AZG951-1012; AZH984-1004;
AZJ1435-1896; AZK980-1002

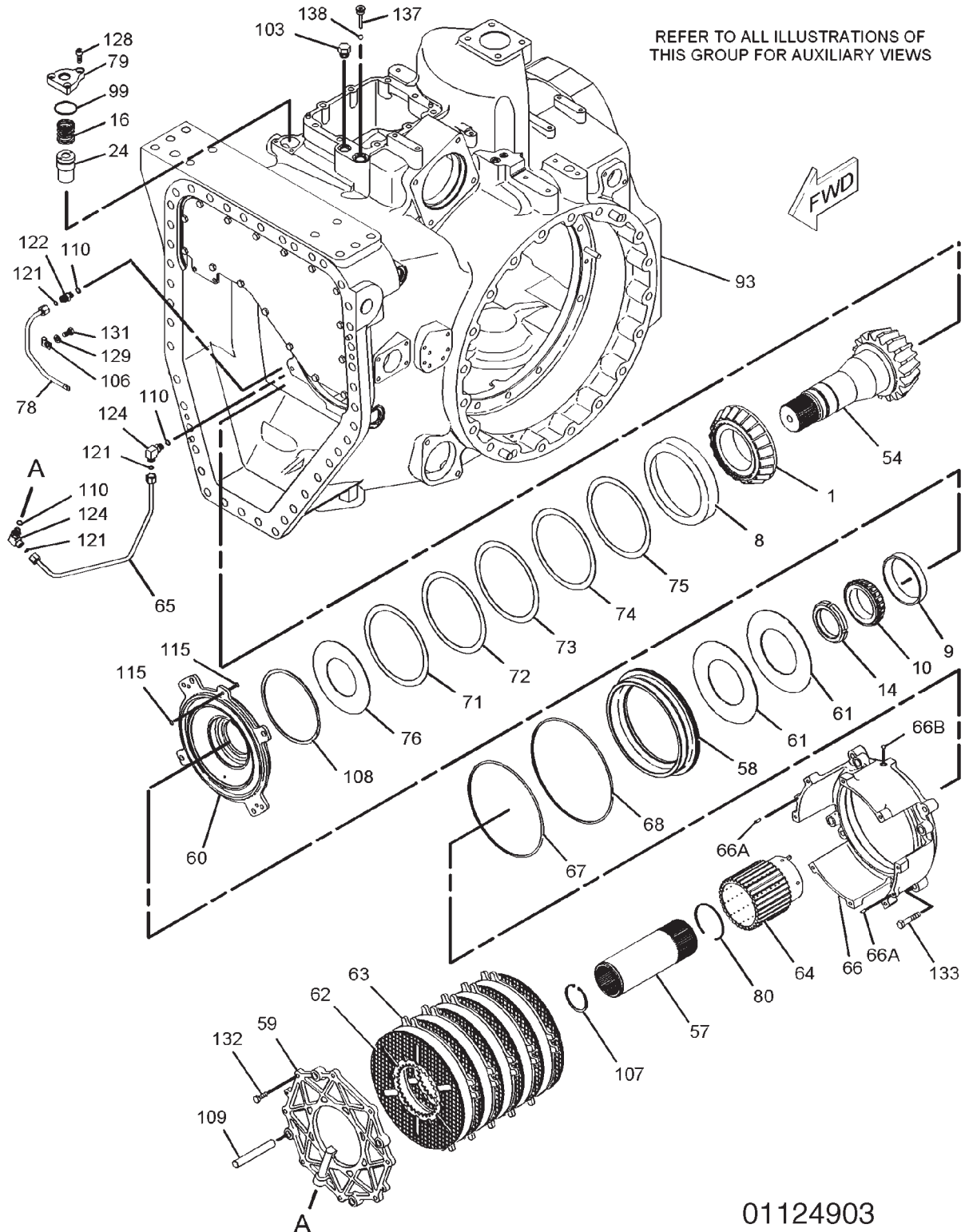
| ITEM | NUMBER | QTY | DESCRIPTION |
|------|----------|-----|--|
| - | 180-4376 | - | DIFFERENTIAL GP-STEERING [A] (NOT SERVICED) |
| 5 | 1P-3958 | 8 | ROLLER AS-SPECIAL |
| 6 | 5M-0578 | 4 | BEARING AS-ROLLER |
| 11 | 6V-6654 | 1 | BEARING AS-ROLLER |
| 15 | 4K-3892 | 4 | DOWEL |
| 19 | 8E-8310 | 8 | DISC-THRUST |
| 20 | 8E-8316 | 8 | DISC-THRUST |
| 21 | 8E-8652 | 1 | DISC-THRUST |
| 22 | 8M-7160 | 1 | MAGNET |
| 27 | 174-9383 | 4 | SHAFT-PLANETARY |
| 30 | 176-1377 | 4 | PIN-SPRING |
| 31 | 179-9006 | 1 | GEAR-SUN (15-TEETH) |
| 32 | 239-9822 | 1 | GEAR-RING (72-TEETH) |
| 33 | 180-4379 | 4 | GEAR-PLANETARY (23-TEETH) |
| 34 | 180-4381 | 1 | GEAR-SUN (28-TEETH) |
| 35 | 180-4382 | 1 | CARRIER-PLANETARY |
| 36 | 180-4384 | 1 | GEAR-RING (75-TEETH) |
| 37 | 180-4387 | 1 | CARRIER-PLANETARY |
| 38 | 180-4502 | 2 | DISC-FRICTION |
| 39 | 180-4505 | 1 | PLATE |
| 44 | 183-3415 | 1 | GEAR (58-TEETH) |
| 45 | 183-3416 | 1 | SHAFT |
| 46 | 184-1693 | 1 | RING-RETAINING |
| 48 | 184-1695 | 2 | SEAL-RING |
| 49 | 184-1696 | 1 | DISC-THRUST |
| 50 | 184-1697 | 1 | DISC-THRUST |
| 51 | 185-4422 | 1 | RING-LOCK |
| 52 | 185-4423 | 1 | RING-RETAINING |
| 69 | 188-0635 | 1 | SEAL-BRAKE |
| 70 | 189-2089 | 1 | RING-LOCK |
| 81 | 199-7107 | 4 | SPRING |
| 84 | 210-8405 | 4 | BUSHING |
| 85 | 210-8406 | 4 | PLATE-SPRING |
| 86 | 221-5334 | 1 | PLATE-REACTION |
| 87 | 211-8280 | 1 | PISTON-BRAKE |
| 88 | 242-5086 | 1 | HOUSING AS |
| | 126-7260 | 1 | PLUG |
| 89 | 213-3269 | 1 | HUB-BRAKE |
| 90 | 213-3270 | 1 | SEAL-D-RING |
| 92 | 213-6191 | 1 | GEAR-SUN (34-TEETH) |
| 95 | 222-1903 | 4 | GEAR-PLANETARY (27-TEETH) |
| 98 | 223-0623 | 4 | SHAFT-PLANETARY |
| 104 | 9S-4181 | 1 | PLUG |
| | 7M-8485 | 1 | SEAL-O-RING |
| 105 | 9S-6130 | 1 | PLUG |
| | 2S-4078 | 1 | SEAL-O-RING |
| 111 | 3P-3441 | 1 | RING-RETAINING |
| 112 | 3S-2708 | 8 | PIN-SPRING |
| 113 | 4J-5140 | 2 | SEAL-O-RING |
| 120 | 6V-4442 | 1 | RING-RETAINING |
| 123 | 6V-8675 | 1 | BOLT (M12X1.75X35-MM) |
| 126 | 8T-0070 | 9 | BOLT (M20X2.5X120-MM) |

[A] 185-3955, 185-3956,
185-3957, 185-3958 AXLE AR

00900264
PR: t05b22n43d0178

MT800B SERIES TRACTORS
POWER TRAIN

180-4376 DIFFERENTIAL GP-STEERING
S/N: AZG1013-UP; AZH1005-UP; AZJ1897-UP



01124903

MT800B SERIES TRACTORS
POWER TRAIN

443

180-4376 DIFFERENTIAL GP-STEERING
S/N: AZG1013-UP; AZH1005-UP; AZJ1897-UP

| ITEM | NUMBER | QTY | DESCRIPTION |
|------|----------|-----|--|
| - | 180-4376 | - | DIFFERENTIAL GP-STEERING [A] (NOT SERVICED) |
| 1 | 124-9536 | 1 | CONE-BEARING |
| 8 | 5P-7843 | 1 | CUP-BEARING |
| 9 | 6F-2956 | 1 | CUP-BEARING |
| 10 | 6V-0347 | 1 | CONE-BEARING |
| 14 | 4H-6507 | 1 | LOCKNUT |
| 16 | 7H-0832 | 1 | SPRING |
| 24 | 163-0592 | 1 | VALVE GP-CHECK (HYDRAULIC) |
| | 061-7540 | 1 | SEAL-O-RING |
| 54 | 186-2868 | 1 | PINION-BEVEL (17-TEETH) |
| 57 | 187-1377 | 1 | COUPLING |
| 58 | 227-9327 | 1 | PISTON |
| 59 | 187-3367 | 1 | PLATE-END |
| 60 | 187-3368 | 1 | PLATE-SPRING |
| 61 | 187-3369 | 2 | SPRING |
| 62 | 187-3370 | 6 | DISC-FRICTION |
| 63 | 187-3371 | 6 | PLATE-CLUTCH |
| 64 | 187-3372 | 1 | HUB-CLUTCH |
| 65 | 187-3373 | 1 | TUBE AS |
| 66 | 187-3374 | 1 | HOUSING AS |
| 66A | 2H-1190 | 2 | DOWEL |
| 66B | 4B-9782 | 1 | BALL |
| 67 | 188-0632 | 1 | SEAL-BRAKE |
| 68 | 188-0633 | 1 | SEAL-BRAKE |
| 71 | 191-1907 | AR | SHIM (0.9MM THK) |
| 72 | 191-1908 | AR | SHIM (0.8MM THK) |
| 73 | 191-1909 | AR | SHIM (0.7MM THK) |
| 74 | 191-1910 | AR | SHIM (0.6MM THK) |
| 75 | 191-1911 | AR | SHIM (0.5MM THK) |
| 76 | 191-1912 | 1 | PLATE-RETAINER |
| 78 | 195-3252 | 1 | TUBE AS |
| 79 | 197-5411 | 1 | FLANGE |
| 80 | 198-0288 | 1 | RING-RETAINING |

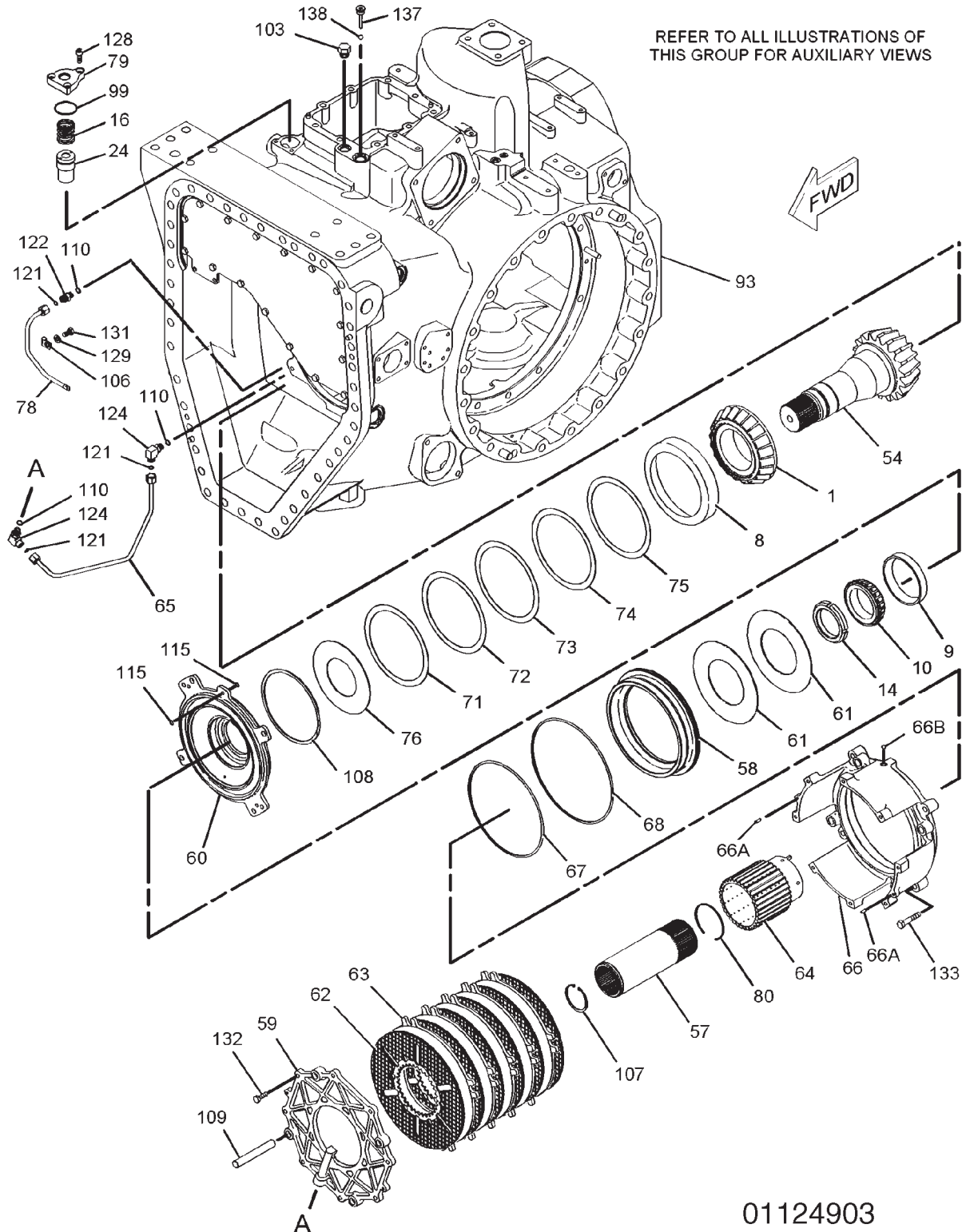
CONTINUED

[A] 185-3955, 185-3956, 185-3957 AXLE AR

01124903
PR: t05b22n43d0179

MT800B SERIES TRACTORS POWER TRAIN

180-4376 DIFFERENTIAL GP-STEERING S/N: AZG1013-UP; AZH1005-UP; AZJ1897-UP



01124903

MT800B SERIES TRACTORS
POWER TRAIN

445

180-4376 DIFFERENTIAL GP-STEERING
S/N: AZG1013-UP; AZH1005-UP; AZJ1897-UP

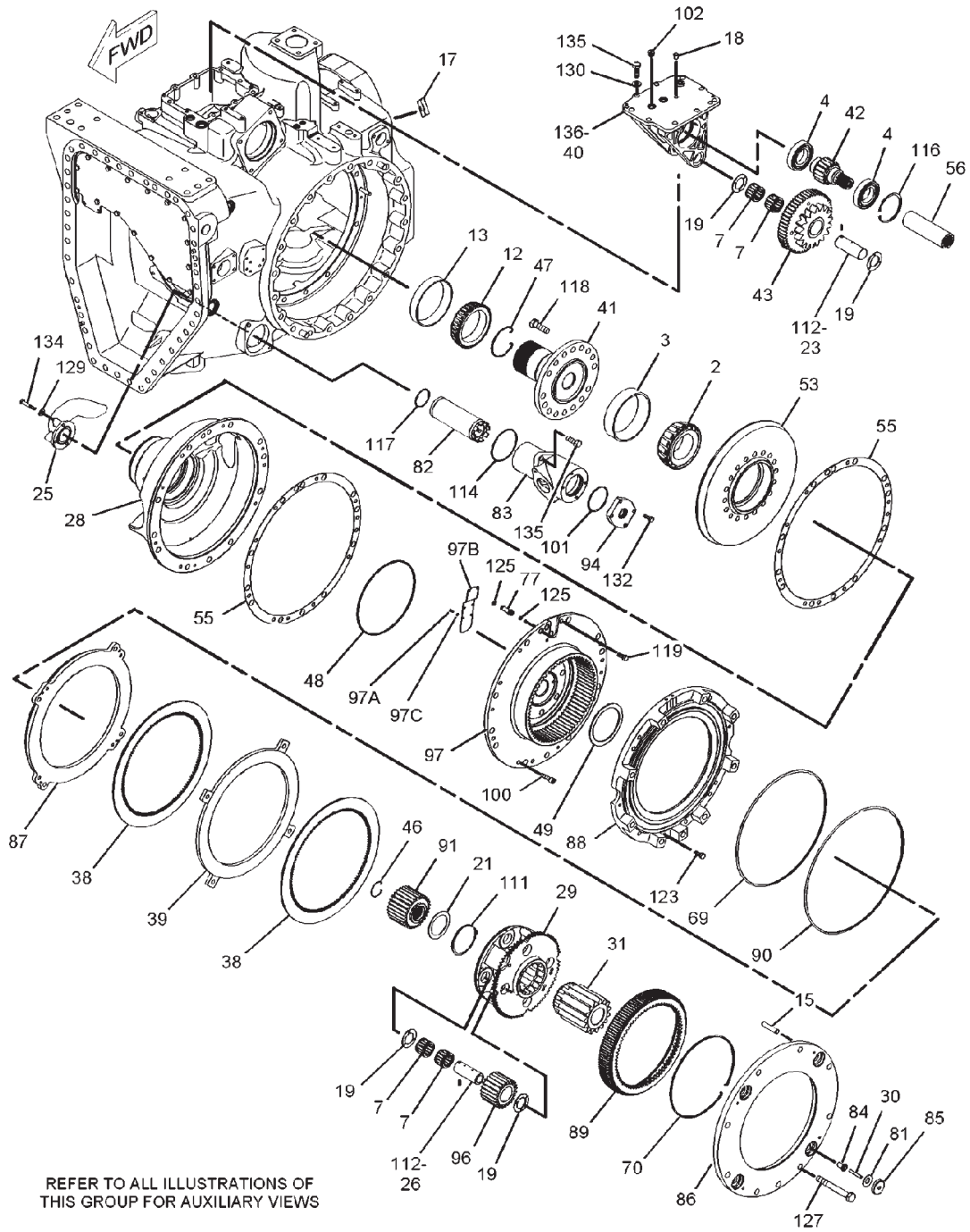
| ITEM | NUMBER | QTY | DESCRIPTION |
|------|----------|-----|---|
| - | 180-4376 | - | DIFFERENTIAL GP-STEERING [A] (NOT SERVICED) |
| 93 | 242-0962 | 1 | HOUSING GP-DIFFERENTIAL (SEE BREAKDOWN FOR COMPONENTS) |
| 99 | 005-8593 | 1 | SEAL-O-RING |
| 103 | 9S-4190 | 1 | PLUG |
| | 2M-9780 | 1 | SEAL-O-RING |
| 106 | 1F-7567 | 1 | CLIP |
| 107 | 2H-5549 | 1 | RING-RETAINING |
| 108 | 2K-1381 | 1 | RING-RETAINING |
| 109 | 2Y-7489 | 4 | DOWEL |
| 110 | 3J-1907 | 3 | SEAL-O-RING |
| 115 | 5H-6005 | 2 | SEAL-O-RING |
| 121 | 6V-8397 | 3 | SEAL-O-RING |
| 122 | 6V-8636 | 1 | CONNECTOR |
| 124 | 6V-8724 | 2 | ELBOW |
| 128 | 8T-1159 | 3 | BOLT-SOCKET HEAD (M10X1.5X25-MM) |
| 129 | 8T-4121 | 1 | WASHER-HARD (11X21X2.5-MM THK) |
| 131 | 8T-4137 | 1 | BOLT (M10X1.5X20-MM) |
| 132 | 8T-4195 | 10 | BOLT (M10X1.5X30-MM) |
| 133 | 8T-4910 | 4 | BOLT (M12X1.75X60-MM) |
| 137 | 223-1637 | 1 | PLUG AS |
| 138 | 4B-9783 | 1 | BALL |

[A] 185-3955, 185-3956, 185-3957 AXLE AR

01124903
PR: t05b22n43d0179

MT800B SERIES TRACTORS POWER TRAIN

180-4376 DIFFERENTIAL GP-STEERING
S/N: AZG1013-UP; AZH1005-UP; AZJ1897-UP



01125322

MT800B SERIES TRACTORS
POWER TRAIN

447

180-4376 DIFFERENTIAL GP-STEERING
S/N: AZG1013-UP; AZH1005-UP; AZJ1897-UP

| ITEM | NUMBER | QTY | DESCRIPTION |
|------|----------|-----|--|
| - | 180-4376 | - | DIFFERENTIAL GP-STEERING [A] (NOT SERVICED) |
| 2 | 132-6597 | 1 | CONE-BEARING |
| 3 | 132-6598 | 1 | CUP-BEARING |
| 4 | 1F-2771 | 2 | BALL BEARING |
| 7 | 5P-6254 | 10 | BEARING |
| 12 | 8D-2256 | 1 | CONE-BEARING |
| 13 | 9K-1171 | 1 | CUP-BEARING |
| 15 | 4K-3892 | 4 | DOWEL |
| 17 | 7X-7816 | 1 | PLATE-SERIAL NUMBER (TRANSMISSION) |
| | | 2 | TACK |
| 18 | 8C-5224 | 3 | PLUG-SEAL |
| 19 | 8E-8310 | 10 | DISC-THRUST |
| 21 | 8E-8652 | 1 | DISC-THRUST |
| 23 | 111-7068 | 1 | SHAFT AS |
| | 2A-3746 | 1 | PLUG-CUP |
| 25 | | 1 | TUBE |
| 26 | 174-9381 | 4 | SHAFT-PLANETARY |
| 28 | 174-9407 | 1 | SUPPOT |
| 29 | 174-9410 | 1 | CARRIER-PLANETARY |
| 30 | 176-1377 | 4 | PIN-SPRING |
| 31 | 179-9006 | 1 | GEAR-SUN (15-TEETH) |
| 38 | 180-4502 | 2 | DISC-FRICTION |
| 39 | 180-4505 | 1 | PLATE |
| 40 | 180-8428 | 1 | SUPPORT AS |
| | 2A-3746 | 4 | PLUG-CUP |
| 41 | 183-3411 | 1 | SHAFT-BEVEL GEAR |
| 42 | 183-3413 | 1 | GEAR (18-TEETH) |
| 43 | 183-3414 | 1 | GEAR (54-TEETH) |
| 46 | 184-1693 | 1 | RING-RETAINING |
| 47 | 184-1694 | 1 | RING-RETAINING |
| 48 | 184-1695 | 1 | SEAL-RING |
| 49 | 184-1696 | 1 | DISC-THRUST |
| 53 | 186-2867 | 1 | GEAR-BEVEL (48-TEETH) |
| 55 | 186-2869 | 2 | SHIM PACK (INCLUDES 14-SHIMS) |
| 56 | 235-6166 | 1 | COUPLING |
| 69 | 188-0635 | 1 | SEAL-BRAKE |
| 70 | 189-2089 | 1 | RING-LOCK |
| 77 | 192-5602 | 2 | SLEEVE |
| 81 | 199-7107 | 4 | SPRING |
| 82 | 207-5993 | 1 | SCREEN |
| 83 | 207-7007 | 1 | HOUSING |
| 84 | 210-8405 | 4 | BUSHING |
| 85 | 210-8406 | 4 | PLATE-SPRING |
| 86 | 221-5334 | 1 | PLATE-REACTION |
| 87 | 211-8280 | 1 | PISTON-BRAKE |
| 88 | 242-5086 | 1 | HOUSING AS |
| | 126-7260 | 1 | PLUG |
| 89 | 213-3269 | 1 | HUB-BRAKE |

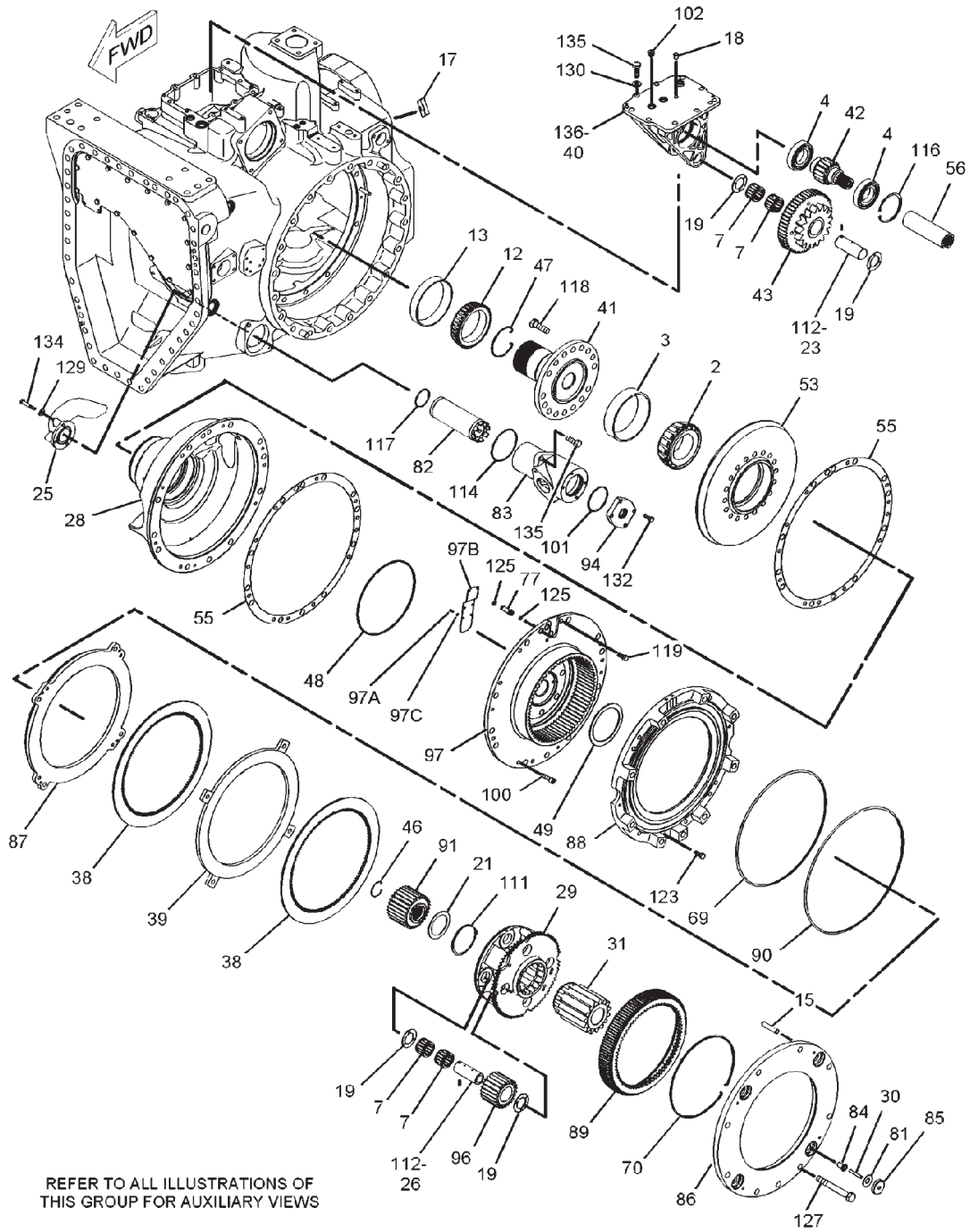
CONTINUED

[A] 185-3955, 185-3956, 185-3957 AXLE AR

01125322
PR: t05b22n43d0180

MT800B SERIES TRACTORS
POWER TRAIN

180-4376 DIFFERENTIAL GP-STEERING
S/N: AZG1013-UP; AZH1005-UP; AZJ1897-UP



REFER TO ALL ILLUSTRATIONS OF
THIS GROUP FOR AUXILIARY VIEWS

01125322

MT800B SERIES TRACTORS
POWER TRAIN

449

180-4376 DIFFERENTIAL GP-STEERING
S/N: AZG1013-UP; AZH1005-UP; AZJ1897-UP

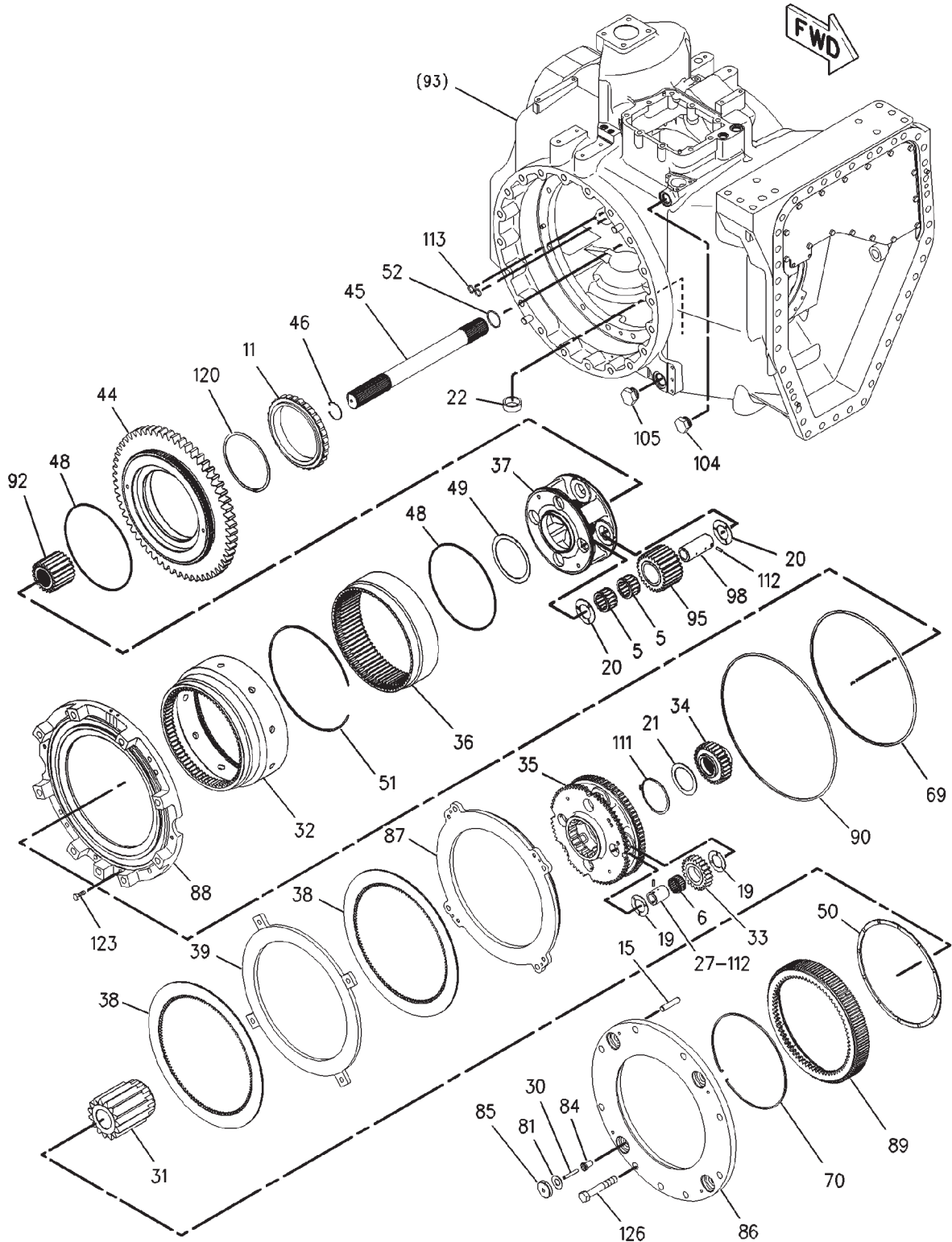
| ITEM | NUMBER | QTY | DESCRIPTION |
|------|----------|-----|--|
| - | 180-4376 | - | DIFFERENTIAL GP-STEERING [A] (NOT SERVICED) |
| 90 | 213-3270 | 1 | SEAL-D-RING |
| 91 | 213-6190 | 1 | GEAR-SUN (28-TEETH) |
| 94 | 221-0691 | 1 | COVER |
| 96 | 222-1904 | 4 | GEAR-PLANETARY (23-TEETH) |
| 97 | 252-2227 | 1 | GEAR AS-RING |
| 97A | 8T-0285 | 6 | SCREW-MACHINE (M4X0.7X12-MM) |
| 97B | 244-3699 | 1 | PLATE |
| 97C | 096-6166 | 6 | WASHER-HARD (4.5X9X1-MM THK) |
| 100 | 095-0670 | 3 | BOLT (M12X1.75X45-MM) |
| 101 | 131-3718 | 1 | SEAL-O-RING |
| 102 | 9S-8005 | 1 | PLUG |
| | 3K-0360 | 1 | SEAL-O-RING |
| | 2M-9780 | 1 | SEAL-O-RING |
| 111 | 3P-3441 | 1 | RING-RETAINING |
| 112 | 3S-2708 | 5 | PIN-SPRING |
| 114 | 5F-3144 | 1 | SEAL-O-RING |
| 116 | 5L-4751 | 1 | RING-RETAINING |
| 117 | 5M-6509 | 1 | SEAL-O-RING |
| 118 | 6V-3532 | 16 | BOLT (M20X2.5X60-MM) |
| 119 | 6V-3668 | 6 | BOLT (M12X1.75X30-MM) |
| 123 | 6V-8675 | 1 | BOLT (M12X1.75X35-MM) |
| 125 | 8L-2777 | 4 | SEAL-O-RING |
| 127 | 8T-0657 | 9 | BOLT (M20X2.5X160-MM) |
| 129 | 8T-4121 | 3 | WASHER-HARD (11X21X2.5-MM THK) |
| 130 | 8T-4122 | 9 | WASHER-HARD (17X32X3.5-MM THK) |
| 132 | 8T-4195 | 4 | BOLT (M10X1.5X30-MM) |
| 134 | 8T-6466 | 3 | BOLT (M10X1.5X60-MM) |
| 135 | 8T-7338 | 11 | BOLT (M16X2X45-MM) |
| 136 | 1U-8846 | AR | SEALANT-GASKET |

[A] 185-3955, 185-3956, 185-3957 AXLE AR

01125322
PR: t05b22n43d0180

MT800B SERIES TRACTORS POWER TRAIN

180-4376 DIFFERENTIAL GP-STEERING
S/N: AZG1013-UP; AZH1005-UP; AZJ1897-UP



00900264

MT800B SERIES TRACTORS
POWER TRAIN

451

180-4376 DIFFERENTIAL GP-STEERING
S/N: AZG1013-UP; AZH1005-UP; AZJ1897-UP

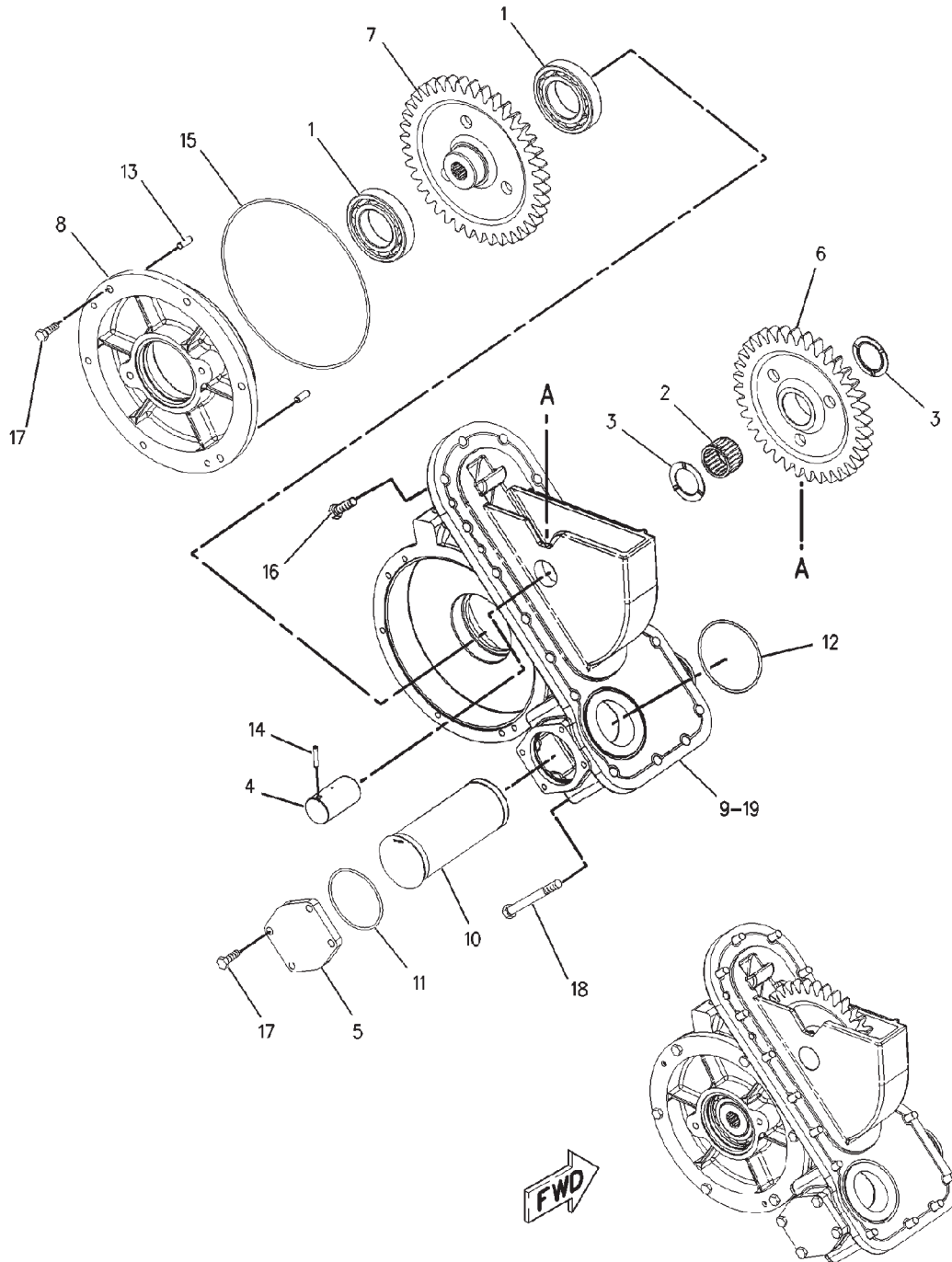
| ITEM | NUMBER | QTY | DESCRIPTION |
|------|----------|-----|--|
| - | 180-4376 | - | DIFFERENTIAL GP-STEERING [A] (NOT SERVICED) |
| 5 | 1P-3958 | 8 | ROLLER AS-SPECIAL |
| 6 | 5M-0578 | 4 | BEARING AS-ROLLER |
| 11 | 6V-6654 | 1 | BEARING AS-ROLLER |
| 15 | 4K-3892 | 4 | DOWEL |
| 19 | 8E-8310 | 8 | DISC-THRUST |
| 20 | 8E-8316 | 8 | DISC-THRUST |
| 21 | 8E-8652 | 1 | DISC-THRUST |
| 22 | 8M-7160 | 1 | MAGNET |
| 27 | 174-9383 | 4 | SHAFT-PLANETARY |
| 30 | 176-1377 | 4 | PIN-SPRING |
| 31 | 179-9006 | 1 | GEAR-SUN (15-TEETH) |
| 32 | 239-9822 | 1 | GEAR-RING (72-TEETH) |
| 33 | 180-4379 | 4 | GEAR-PLANETARY (23-TEETH) |
| 34 | 180-4381 | 1 | GEAR-SUN (28-TEETH) |
| 35 | 180-4382 | 1 | CARRIER-PLANETARY |
| 36 | 180-4384 | 1 | GEAR-RING (75-TEETH) |
| 37 | 180-4387 | 1 | CARRIER-PLANETARY |
| 38 | 180-4502 | 2 | DISC-FRICTION |
| 39 | 180-4505 | 1 | PLATE |
| 44 | 183-3415 | 1 | GEAR (58-TEETH) |
| 45 | 183-3416 | 1 | SHAFT |
| 46 | 184-1693 | 1 | RING-RETAINING |
| 48 | 184-1695 | 2 | SEAL-RING |
| 49 | 184-1696 | 1 | DISC-THRUST |
| 50 | 184-1697 | 1 | DISC-THRUST |
| 51 | 185-4422 | 1 | RING-LOCK |
| 52 | 185-4423 | 1 | RING-RETAINING |
| 69 | 188-0635 | 1 | SEAL-BRAKE |
| 70 | 189-2089 | 1 | RING-LOCK |
| 81 | 199-7107 | 4 | SPRING |
| 84 | 210-8405 | 4 | BUSHING |
| 85 | 210-8406 | 4 | PLATE-SPRING |
| 86 | 221-5334 | 1 | PLATE-REACTION |
| 87 | 211-8280 | 1 | PISTON-BRAKE |
| 88 | 242-5086 | 1 | HOUSING AS |
| | 126-7260 | 1 | PLUG |
| 89 | 213-3269 | 1 | HUB-BRAKE |
| 90 | 213-3270 | 1 | SEAL-D-RING |
| 92 | 213-6191 | 1 | GEAR-SUN (34-TEETH) |
| 95 | 222-1903 | 4 | GEAR-PLANETARY (27-TEETH) |
| 98 | 223-0623 | 4 | SHAFT-PLANETARY |
| | 2M-9780 | 1 | SEAL-O-RING |
| 104 | 9S-4181 | 1 | PLUG |
| | 7M-8485 | 1 | SEAL-O-RING |
| 105 | 9S-6130 | 1 | PLUG |
| | 2S-4078 | 1 | SEAL-O-RING |
| 111 | 3P-3441 | 1 | RING-RETAINING |
| 112 | 3S-2708 | 8 | PIN-SPRING |
| 113 | 4J-5140 | 2 | SEAL-O-RING |
| 120 | 6V-4442 | 1 | RING-RETAINING |
| 123 | 6V-8675 | 1 | BOLT (M12X1.75X35-MM) |
| 126 | 8T-0070 | 9 | BOLT (M20X2.5X120-MM) |

[A] 185-3955, 185-3956, 185-3957 AXLE AR

00900264
PR: t05b22n43d0181

MT800B SERIES TRACTORS
POWER TRAIN

177-5234 DRIVE GP-PUMP
S/N: 9YY1-UP



MT800B SERIES TRACTORS
POWER TRAIN

453

177-5234 DRIVE GP-PUMP
S/N: 9YY1-UP

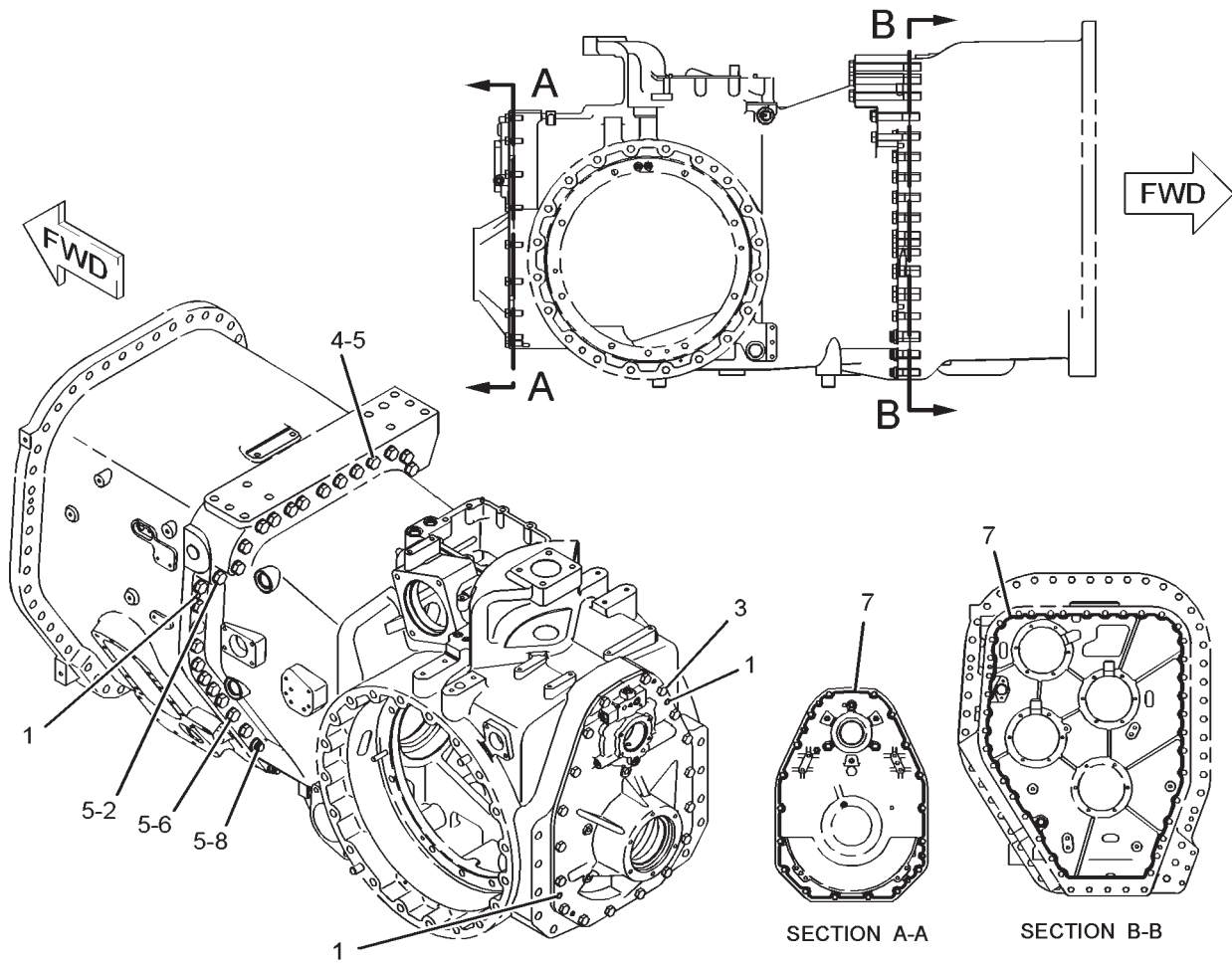
| ITEM | NUMBER | QTY | DESCRIPTION |
|------|----------|-----|-------------------------------------|
| - | 177-5234 | - | DRIVE GP-PUMP [A] (NOT SERVICED) |
| 1 | 1F-2771 | 2 | BALL BEARING |
| 2 | 5M-2051 | 1 | BEARING-CAGED |
| 3 | 6Y-1223 | 2 | DISC-THRUST |
| 4 | 8P-7898 | 1 | SHAFT-PLANETARY |
| 5 | 170-7290 | 1 | COVER |
| 6 | 177-6781 | 1 | GEAR (36-TEETH) |
| 7 | 177-6782 | 1 | GEAR (39-TEETH) |
| 8 | 177-6783 | 1 | COVER |
| 9 | 177-6784 | 1 | HOUSING |
| 10 | 207-5994 | 1 | SCREEN (PUMP DRIVE INLET) |
| 11 | 131-3718 | 1 | SEAL-O-RING |
| 12 | 4M-0189 | 1 | SEAL-O-RING |
| 13 | 5B-5821 | 2 | DOWEL |
| 14 | 5H-3193 | 1 | PIN-SPRING |
| 15 | 8J-8879 | 1 | SEAL-O-RING |
| 16 | 8T-4183 | 15 | BOLT (M12X1.75X40-MM) |
| 17 | 8T-4195 | 10 | BOLT (M10X1.5X30-MM) |
| 18 | 8T-5041 | 2 | BOLT (M12X1.75X120-MM) |
| 19 | 1U-8846 | AR | SEALANT-GASKET |

[A] PART OF 152-5242 TRANSMISSION AR

00872185
PR: t05b22n43d0182

MT800B SERIES TRACTORS
POWER TRAIN

211-8277 FASTENER GP-FINAL DRIVE



01118299

MT800B SERIES TRACTORS
POWER TRAIN

455

211-8277 FASTENER GP-FINAL DRIVE

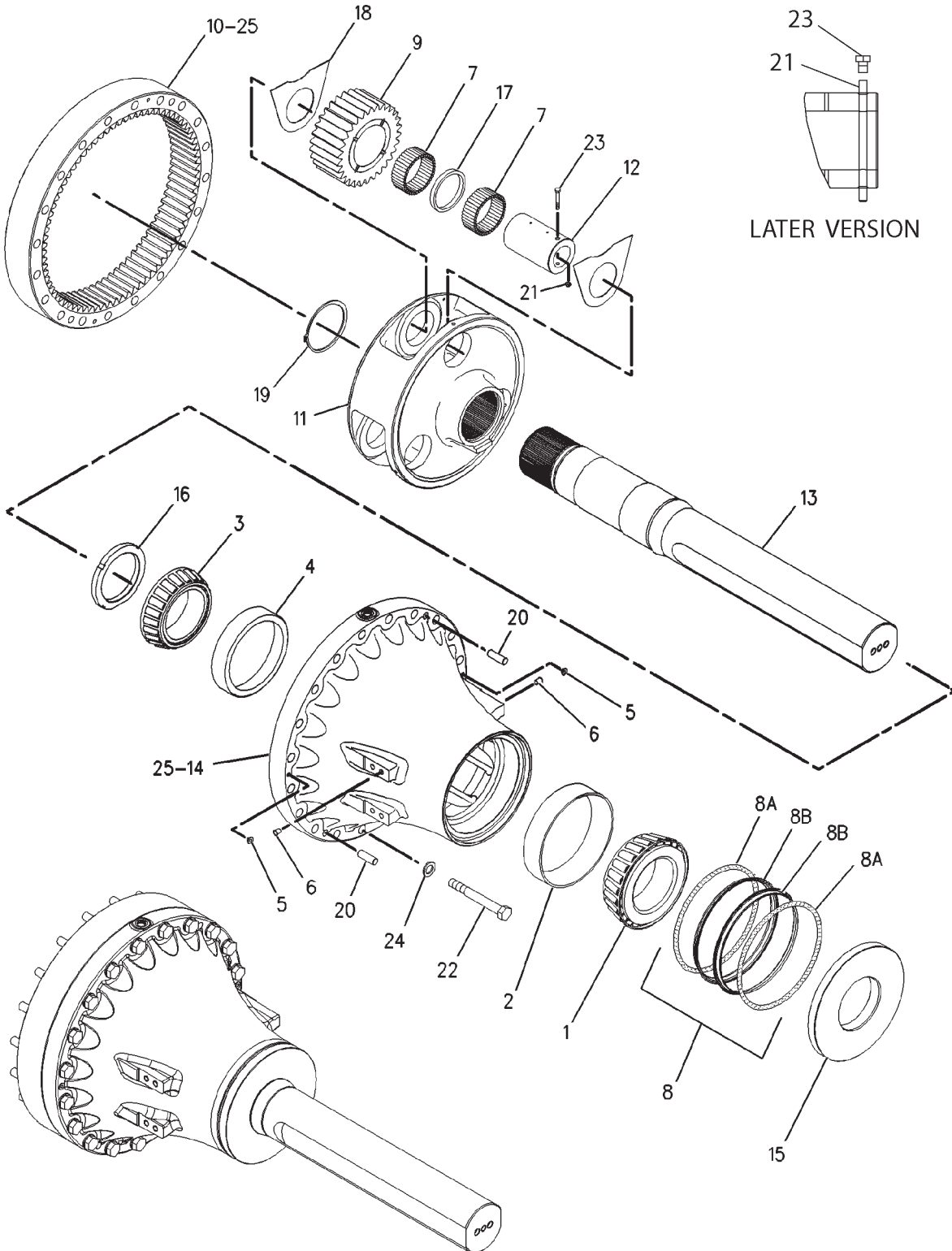
| ITEM | NUMBER | QTY | DESCRIPTION |
|------|----------|-----|---|
| - | 211-8277 | - | FASTENER GP-FINAL DRIVE [A] (NOT SERVICED) |
| 1 | 8C-5224 | 4 | PLUG-SEAL |
| 2 | 7X-2532 | 3 | BOLT (M20X2.5X130-MM) |
| 3 | 7X-2553 | 18 | BOLT (M16X2X40-MM) |
| 4 | 7X-2569 | 13 | BOLT (M20X2.5X200-MM) |
| 5 | 8T-4123 | 43 | WASHER-PLATED (22X35X3.5-MM THK) |
| 6 | 8T-4141 | 18 | BOLT (M20X2.5X70-MM) |
| 7 | 1U-8846 | AR | SEALANT-GASKET |
| 8 | 121-3120 | 9 | BOLT-12 POINT HEAD (M20X2.5X70-MM) |

[A] PART OF 200-5027, 200-5028,
200-5029, 200-5030 POWER TRAIN AR

01118299
PR: t05b22n43d0183

MT800B SERIES TRACTORS
POWER TRAIN

179-9479 FINAL DRIVE GP
S/N: AZG1-955; AZJ1-1479



00750396

MT800B SERIES TRACTORS
POWER TRAIN

457

179-9479 FINAL DRIVE GP
S/N: AZG1-955; AZJ1-1479

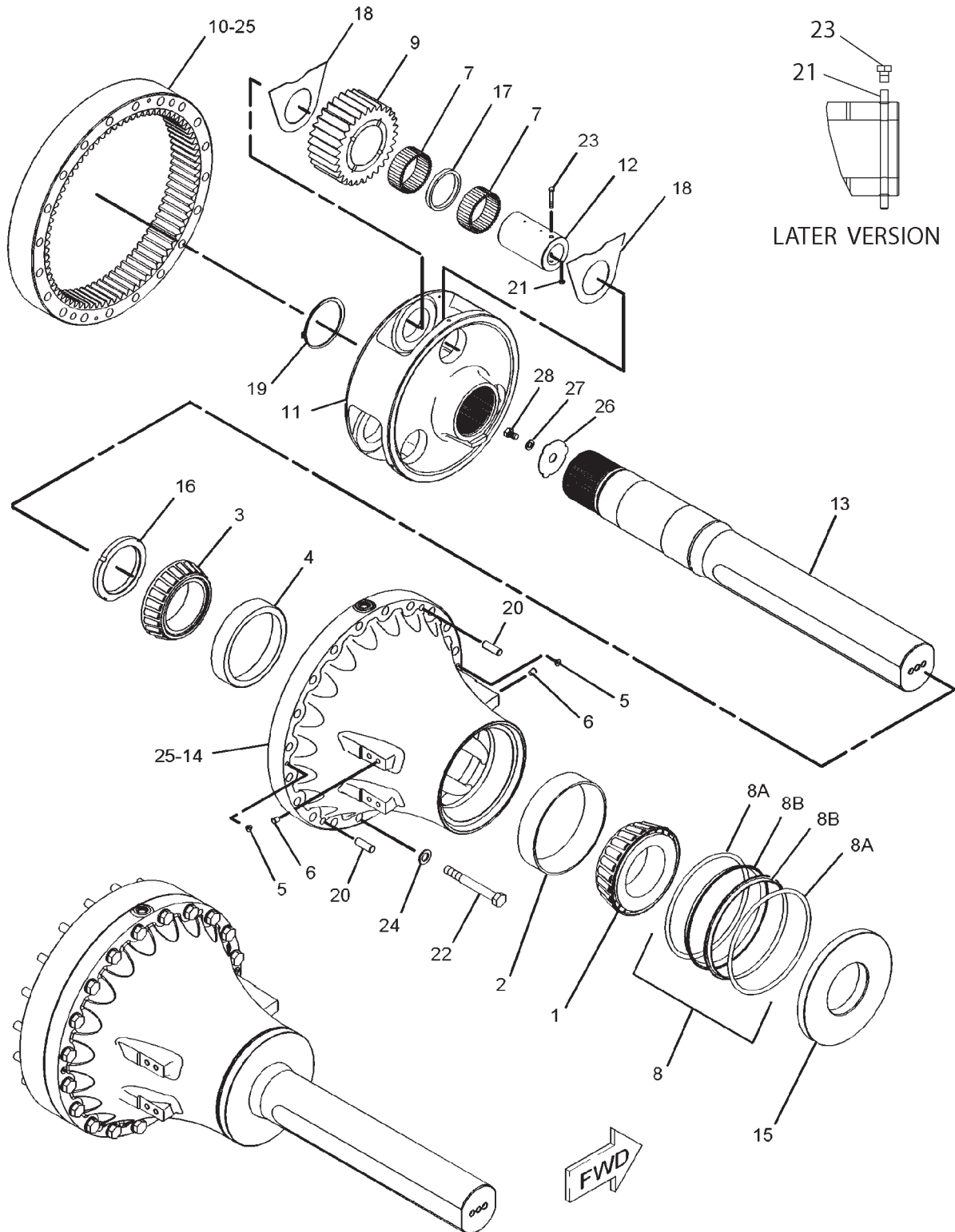
| ITEM | NUMBER | QTY | DESCRIPTION |
|------|----------|-----|---------------------------------------|
| - | 179-9479 | - | FINAL DRIVE GP [A] (NOT SERVICED) |
| 1 | 193-0362 | 1 | CONE-BEARING |
| 2 | 193-0363 | 1 | CUP-BEARING |
| 3 | 1B-6577 | 1 | CONE-BEARING |
| 4 | 2J-2152 | 1 | CUP-BEARING |
| 5 | 7C-6467 | 2 | PLUG |
| 6 | 8C-5224 | 8 | PLUG-SEAL |
| 7 | 261-2719 | 228 | BEARING-NEEDLE |
| 8 | 174-4874 | 1 | SEAL GP-DUO-CONE |
| 8A | | 2 | RING-TORIC [Z] |
| 8B | | 2 | SEAL-RING [Z] |
| 9 | 179-9007 | 3 | GEAR-PLANETARY (30-TEETH) |
| 10 | 217-8425 | 1 | GEAR-RING (78-TEETH) |
| 11 | 260-9471 | 1 | CARRIER-PLANETARY |
| 12 | 179-9471 | 3 | SHAFT-PLANETARY |
| 13 | 194-7019 | 1 | SHAFT-AXLE |
| 14 | 179-9476 | 1 | HOUSING-AXLE |
| 15 | 179-9477 | 1 | SPACER (160X350X36-MM THK) |
| 16 | 179-9478 | 1 | NUT-BEARING |
| 17 | 179-9488 | 3 | RACE-THRUST |
| 18 | 216-8715 | 6 | WASHER-THRUST |
| 19 | 109-6497 | 1 | RING-RETAINING |
| 20 | 175-3097 | 2 | DOWEL |
| 21 | 6V-9189 | 3 | LOCKNUT (M8X1.25-THD) (EARLY VERSION) |
| 21 | 266-0216 | 3 | PIN (M8.5X135) (LATER VERSION) |
| 22 | 7X-2578 | 20 | BOLT (M24X3X200-MM) |
| 23 | 8T-0100 | 3 | BOLT (M8X1.25X60-MM) (EARLY VERSION) |
| 23 | 6V-8084 | 3 | BOLT (M10X1.5X12) (LATER VERSION) |
| 24 | 8T-4167 | 20 | WASHER-HARD (26X44X4-MM THK) |
| 25 | 1U-8846 | AR | SEALANT-GASKET |

[A] PART OF 185-3955, 185-3957 AXLE AR
[Z] NOT SERVICED SEPARATELY

00750396
PR: t05b22n43d0184

MT800B SERIES TRACTORS
POWER TRAIN

179-9479 FINAL DRIVE GP
S/N: AZG956-UP; AZJ1480-UP



01124505

**MT800B SERIES TRACTORS
POWER TRAIN**

459

**179-9479 FINAL DRIVE GP
S/N: AZG956-UP; AZJ1480-UP**

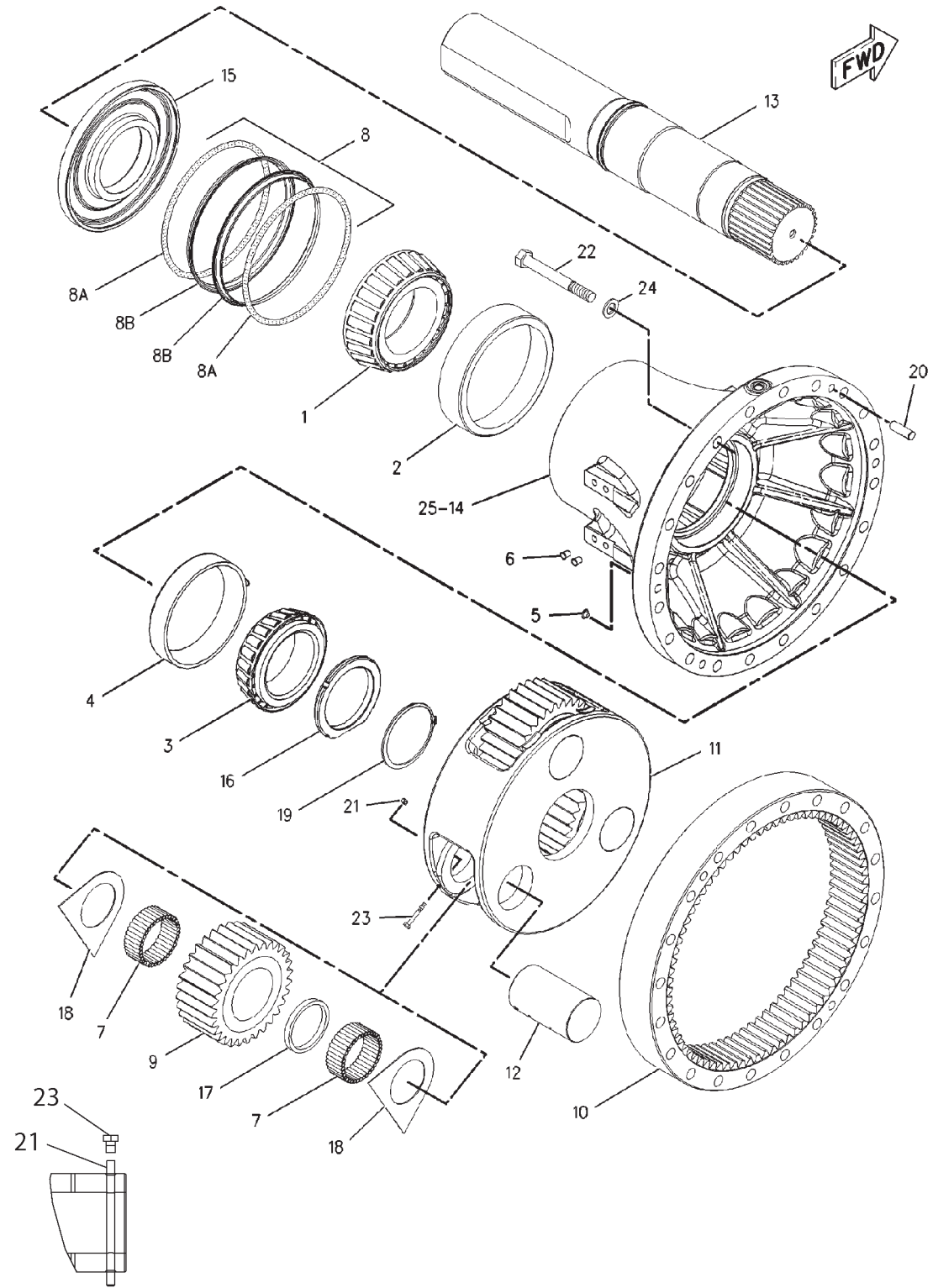
| ITEM | NUMBER | QTY | DESCRIPTION |
|------|----------|-----|--------------------------------------|
| - | 179-9479 | - | FINAL DRIVE GP [A] (NOT SERVICED) |
| 1 | 193-0362 | 1 | CONE-BEARING |
| 2 | 193-0363 | 1 | CUP-BEARING |
| 3 | 1B-6577 | 1 | CONE-BEARING |
| 4 | 2J-2152 | 1 | CUP-BEARING |
| 5 | 7C-6467 | 2 | PLUG |
| 6 | 8C-5224 | 8 | PLUG-SEAL |
| 7 | 261-2719 | 228 | BEARING-NEEDLE |
| 8 | 174-4874 | 1 | SEAL GP-DUO-CONE |
| 8A | | 2 | RING-TORIC [Z] |
| 8B | | 2 | SEAL-RING [Z] |
| 9 | 179-9007 | 3 | GEAR-PLANETARY (30-TEETH) |
| 10 | 217-8425 | 1 | GEAR-RING (78-TEETH) |
| 11 | 260-9471 | 1 | CARRIER-PLANETARY |
| 12 | 179-9471 | 3 | SHAFT-PLANETARY |
| 13 | 224-5868 | 1 | SHAFT-AXLE |
| 14 | 179-9476 | 1 | HOUSING-AXLE |
| 15 | 179-9477 | 1 | SPACER (160X350X36-MM THK) |
| 16 | 179-9478 | 1 | NUT-BEARING |
| 17 | 179-9488 | 3 | RACE-THRUST |
| 18 | 216-8715 | 6 | WASHER-THRUST |
| 19 | 109-6497 | 1 | RING-RETAINING |
| 20 | 175-3097 | 2 | DOWEL |
| 21 | 6V-9189 | 3 | LOCKNUT (M8X1.25) (EARLY VERSION) |
| 21 | 266-0216 | 3 | PIN (M8.5X135) (LATER VERSION) |
| 22 | 7X-2578 | 20 | BOLT (M24X3X200-MM) |
| 23 | 8T-0100 | 3 | BOLT (M8X1.25X60-MM) (EARLY VERSION) |
| 23 | 6V-8084 | 3 | BOLT (M10X1.5X12) (LATER VERSION) |
| 24 | 8T-4167 | 20 | WASHER-HARD (26X44X4-MM THK) |
| 25 | 1U-8846 | AR | SEALANT-GASKET |
| 26 | 224-5870 | 1 | WASHER-THRUST |
| 27 | 9X-8268 | 1 | WASHER (17.5X30X3.5-MM THK) |
| 28 | 6V-5224 | 1 | BOLT (M16X2X25-MM) |

[A] PART OF 185-3955, 185-3957 AXLE AR
[Z] NOT SERVICED SEPARATELY

01124505
PR: t05b22n43d0185

MT800B SERIES TRACTORS
POWER TRAIN

179-9480 FINAL DRIVE GP
S/N: AZH1-990; AZK1-987
2286-2600MM (90-102 IN) GAUGE



LATER VERSION

00886393

**MT800B SERIES TRACTORS
POWER TRAIN**

461

179-9480 FINAL DRIVE GP
S/N: AZH1-990; AZK1-987
2286-2600MM (90-102 IN) GAUGE

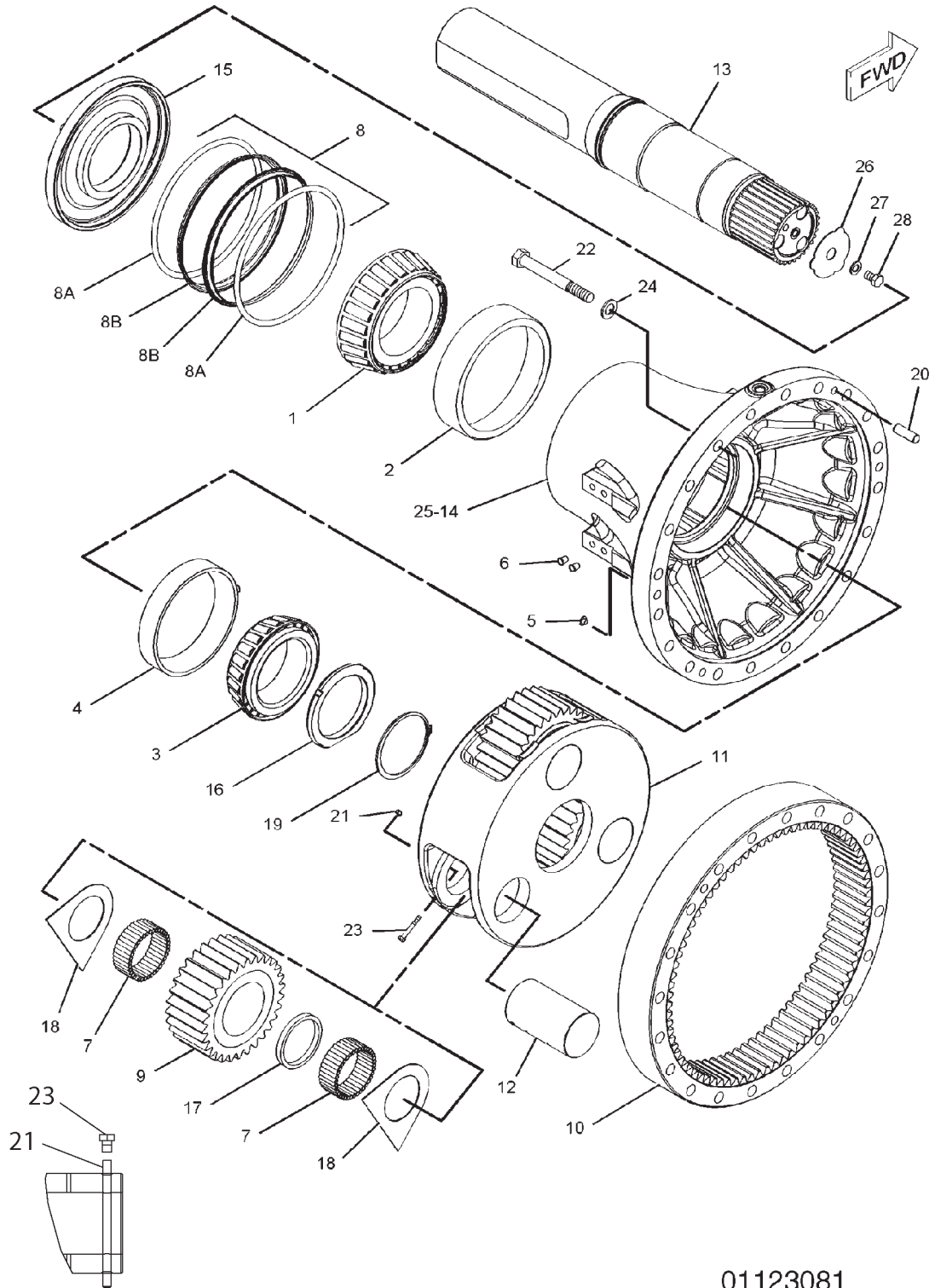
| ITEM | NUMBER | QTY | DESCRIPTION |
|------|----------|-----|--------------------------------------|
| - | 179-9480 | - | FINAL DRIVE GP [A] (NOT SERVICED) |
| 1 | 193-0362 | 1 | CONE-BEARING |
| 2 | 193-0363 | 1 | CUP-BEARING |
| 3 | 1B-6577 | 1 | CONE-BEARING |
| 4 | 2J-2152 | 1 | CUP-BEARING |
| 5 | 7C-6467 | 2 | PLUG |
| 6 | 8C-5224 | 8 | PLUG-SEAL |
| 7 | 261-2719 | 228 | BEARING-NEEDLE |
| 8 | 174-4874 | 1 | SEAL GP-DUO-CONE |
| 8A | | 2 | RING-TORIC [Z] |
| 8B | | 2 | SEAL-RING [Z] |
| 9 | 179-9007 | 3 | GEAR-PLANETARY (30-TEETH) |
| 10 | 217-8425 | 1 | GEAR-RING (78-TEETH) |
| 11 | 260-9471 | 1 | CARRIER-PLANETARY |
| 12 | 179-9471 | 3 | SHAFT-PLANETARY |
| 13 | 224-5869 | 1 | SHAFT-AXLE |
| | 224-5870 | 1 | WASHER |
| | 6V-5224 | 1 | BOLT |
| | 9X-8268 | 1 | WASHER |
| 14 | 179-9476 | 1 | HOUSING-AXLE |
| 15 | 179-9477 | 1 | SPACER (160X350X36-MM THK) |
| 16 | 179-9478 | 1 | NUT-BEARING |
| 17 | 179-9488 | 3 | RACE-THRUST |
| 18 | 216-8715 | 6 | WASHER-THRUST |
| 19 | 109-6497 | 1 | RING-RETAINING |
| 20 | 175-3097 | 2 | DOWEL |
| 21 | 6V-9189 | 3 | LOCKNUT (M8X1.25) (EARLY VERSION) |
| 21 | 266-0216 | 3 | PIN (M8.5X135) (LATER VERSION) |
| 22 | 7X-2578 | 20 | BOLT (M24X3X200-MM) |
| 23 | 8T-0100 | 3 | BOLT (M8X1.25X60-MM) (EARLY VERSION) |
| 23 | 6V-8084 | 3 | BOLT (M10X1.5X12) (LATER VERSION) |
| 24 | 8T-4167 | 20 | WASHER-HARD (26X44X4-MM THK) |
| 25 | 1U-8846 | AR | SEALANT-GASKET |

[A] PART OF 185-3956, 185-3958 AXLE AR
[Z] NOT SERVICED SEPARATELY

00886393
PR: t05b22n43d0186

MT800B SERIES TRACTORS
POWER TRAIN

179-9480 FINAL DRIVE GP
S/N: AZH991-UP; AZK988-UP



01123081

LATER VERSION

**MT800B SERIES TRACTORS
POWER TRAIN**

463

179-9480 FINAL DRIVE GP
S/N: AZH991-UP; AZK988-UP

| ITEM | NUMBER | QTY | DESCRIPTION |
|------|----------|-----|--------------------------------------|
| - | 179-9480 | - | FINAL DRIVE GP [A] (NOT SERVICED) |
| 1 | 193-0362 | 1 | CONE-BEARING |
| 2 | 193-0363 | 1 | CUP-BEARING |
| 3 | 1B-6577 | 1 | CONE-BEARING |
| 4 | 2J-2152 | 1 | CUP-BEARING |
| 5 | 7C-6467 | 2 | PLUG |
| 6 | 8C-5224 | 8 | PLUG-SEAL |
| 7 | 261-2719 | 228 | BEARING-NEEDLE |
| 8 | 174-4874 | 1 | SEAL GP-DUO-CONE |
| 8A | | 2 | RING-TORIC [Z] |
| 8B | | 2 | SEAL-RING [Z] |
| 9 | 179-9007 | 3 | GEAR-PLANETARY (30-TEETH) |
| 10 | 217-8425 | 1 | GEAR-RING (78-TEETH) |
| 11 | 260-9471 | 1 | CARRIER-PLANETARY |
| 12 | 179-9471 | 3 | SHAFT-PLANETARY |
| 13 | 224-5869 | 1 | SHAFT-AXLE |
| 14 | 179-9476 | 1 | HOUSING-AXLE |
| 15 | 179-9477 | 1 | SPACER (160X350X36-MM THK) |
| 16 | 179-9478 | 1 | NUT-BEARING |
| 17 | 179-9488 | 3 | RACE-THRUST |
| 18 | 216-8715 | 6 | WASHER-THRUST |
| 19 | 109-6497 | 1 | RING-RETAINING |
| 20 | 175-3097 | 2 | DOWEL |
| 21 | 6V-9189 | 3 | LOCKNUT (M8X1.25) (EARLY VERSION) |
| 21 | 266-0216 | 3 | PIN (M8.5X135) (LATER VERSION) |
| 22 | 7X-2578 | 20 | BOLT (M24X3X200-MM) |
| 23 | 8T-0100 | 3 | BOLT (M8X1.25X60-MM) (EARLY VERSION) |
| 23 | 6V-8084 | 3 | BOLT (M10X1.5X12) (LATER VERSION) |
| 24 | 8T-4167 | 20 | WASHER-HARD (26X44X4-MM THK) |
| 25 | 1U-8846 | AR | SEALANT-GASKET |
| 26 | 224-5870 | 1 | WASHER-THRUST |
| 27 | 9X-8268 | 1 | WASHER (17.5X30X3.5-MM THK) |
| 28 | 6V-5224 | 1 | BOLT (M16X2X25-MM) |

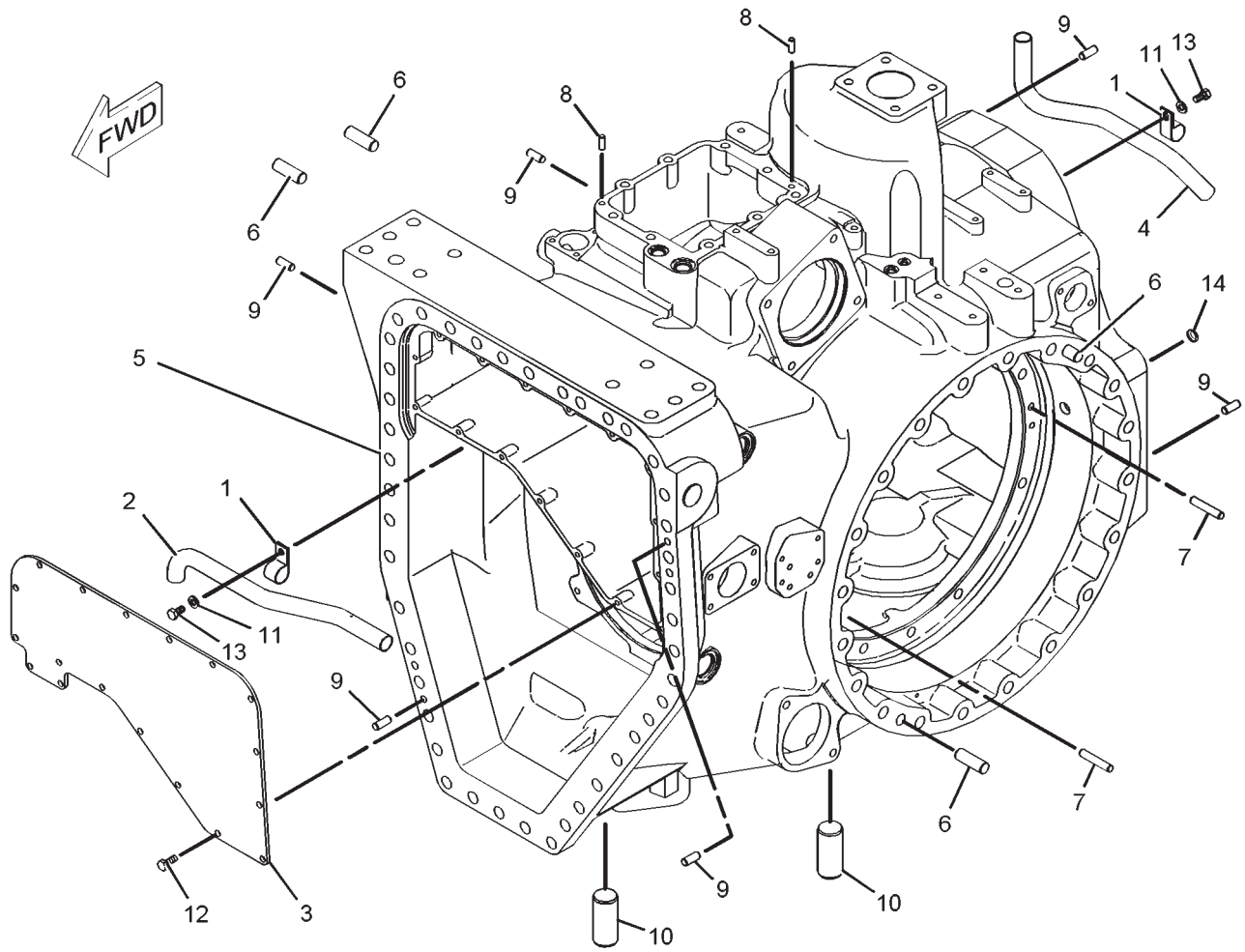
[A] PART OF 185-3956, 185-3958 AXLE AR
[Z] NOT SERVICED SEPARATELY

01123081
PR: t05b22n43d0187

MT800B SERIES TRACTORS
POWER TRAIN

225-6958 HOUSING GP-DIFFERENTIAL

S/N: AZG1-950; AZH1-983;
AZJ1-1434; AZK1-979



01122771

MT800B SERIES TRACTORS
POWER TRAIN

465

225-6958 HOUSING GP-DIFFERENTIAL
S/N: AZG1-950; AZH1-983;
AZJ1-1434; AZK1-979

| ITEM | NUMBER | QTY | DESCRIPTION |
|------|----------|-----|---|
| - | 225-6958 | - | HOUSING GP-DIFFERENTIAL [A] (NOT SERVICED) |
| 1 | 134-5645 | 2 | CLIP |
| 2 | 180-8431 | 1 | TUBE |
| 3 | 193-0650 | 1 | COVER |
| 4 | | 1 | TUBE [Z] |
| 5 | | 1 | HOUSING [Z] |
| 6 | 175-3097 | 4 | DOWEL |
| 7 | 1A-0646 | 2 | DOWEL |
| 8 | 5B-5821 | 2 | DOWEL |
| 9 | 5M-7937 | 6 | DOWEL |
| 10 | 7X-3396 | 2 | DOWEL |
| 11 | 8T-4121 | 2 | WASHER-HARD (11X21X2.5-MM THK) |
| 12 | 8T-4136 | 16 | BOLT (M10X1.5X25-MM) |
| 13 | 8T-4137 | 2 | BOLT (M10X1.5X20-MM) |
| 14 | 4N-0952 | 1 | PLUG-CUP |

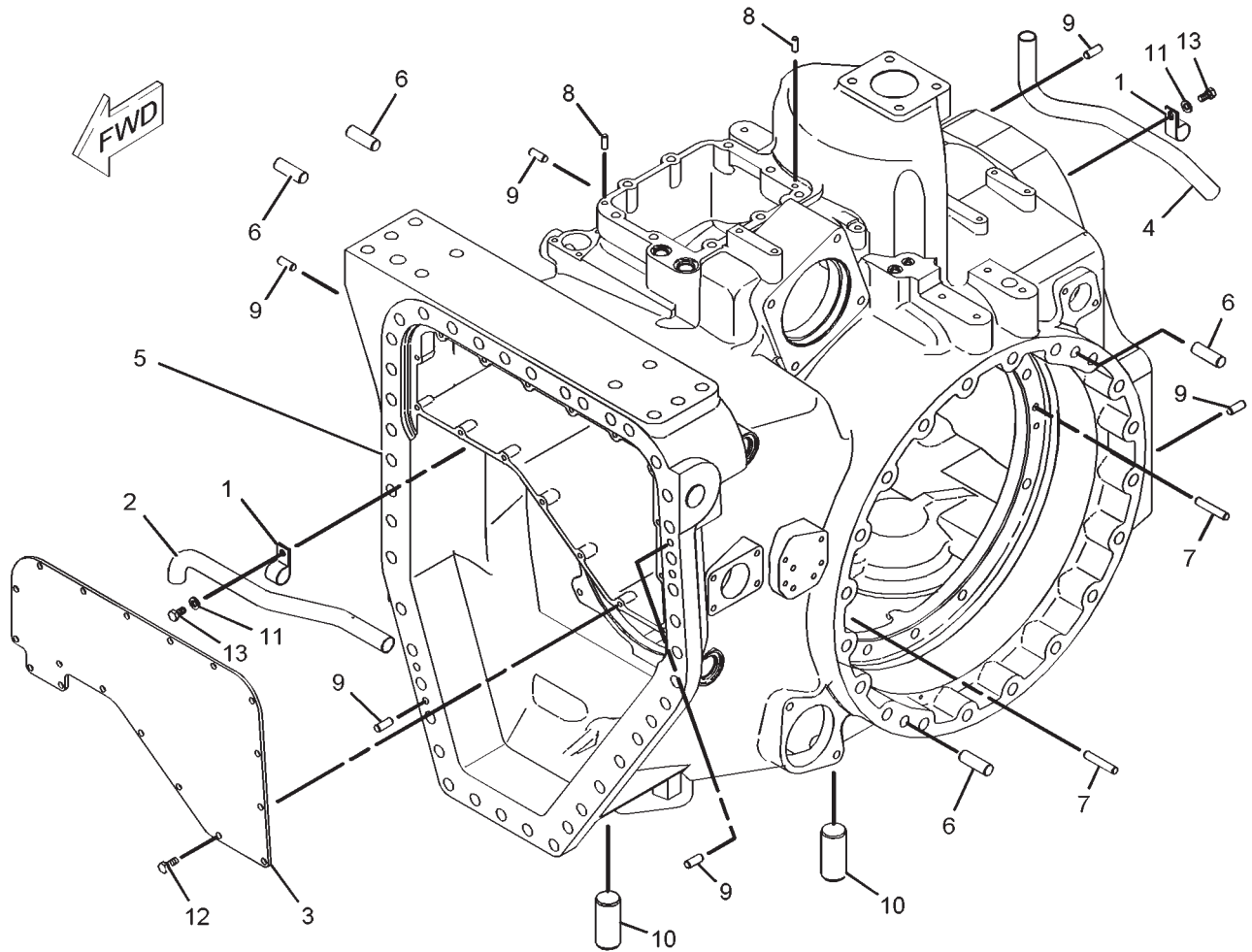
[A] PART OF 180-4376 DIFFERENTIAL GP
[Z] NOT SERVICED SEPARATELY

01122771
PR: t05b22n43d0189

MT800B SERIES TRACTORS
POWER TRAIN

242-0962 HOUSING GP-DIFFERENTIAL

S/N: AZG951-UP; AZH984-UP;
AZJ1435-UP; AZK980-UP



01122772

MT800B SERIES TRACTORS
POWER TRAIN

467

242-0962 HOUSING GP-DIFFERENTIAL
S/N: AZG951-UP; AZH984-UP;
AZJ1435-UP; AZK980-UP

| ITEM | NUMBER | QTY | DESCRIPTION |
|------|----------|-----|--------------------------------|
| - | 242-0962 | - | HOUSING GP-DIFFERENTIAL [A] |
| 1 | 134-5645 | 2 | CLIP |
| 2 | 180-8431 | 1 | TUBE |
| 3 | 193-0650 | 1 | COVER |
| 4 | | 1 | TUBE [Z] |
| 5 | | 1 | HOUSING [Z] |
| 6 | 175-3097 | 4 | DOWEL |
| 7 | 1A-0646 | 2 | DOWEL |
| 8 | 5B-5821 | 2 | DOWEL |
| 9 | 5M-7937 | 6 | DOWEL |
| 10 | 7X-3396 | 2 | DOWEL |
| 11 | 8T-4121 | 2 | WASHER-HARD (11X21X2.5-MM THK) |
| 12 | 8T-4136 | 16 | BOLT (M10X1.5X25-MM) |
| 13 | 8T-4137 | 2 | BOLT (M10X1.5X20-MM) |

[A] PART OF 180-4376 DIFFERENTIAL GP
[Z] NOT SERVICED SEPARATELY

01122772
PR: t05b22n43d0190

468

MT800B SERIES TRACTORS
POWER TRAIN

152-5242 TRANSMISSION AR
S/N: 9YY1-UP

NO ILLUSTRATION

NOTIF

MT800B SERIES TRACTORS
POWER TRAIN

469

152-5242 TRANSMISSION AR
S/N: 9YY1-UP

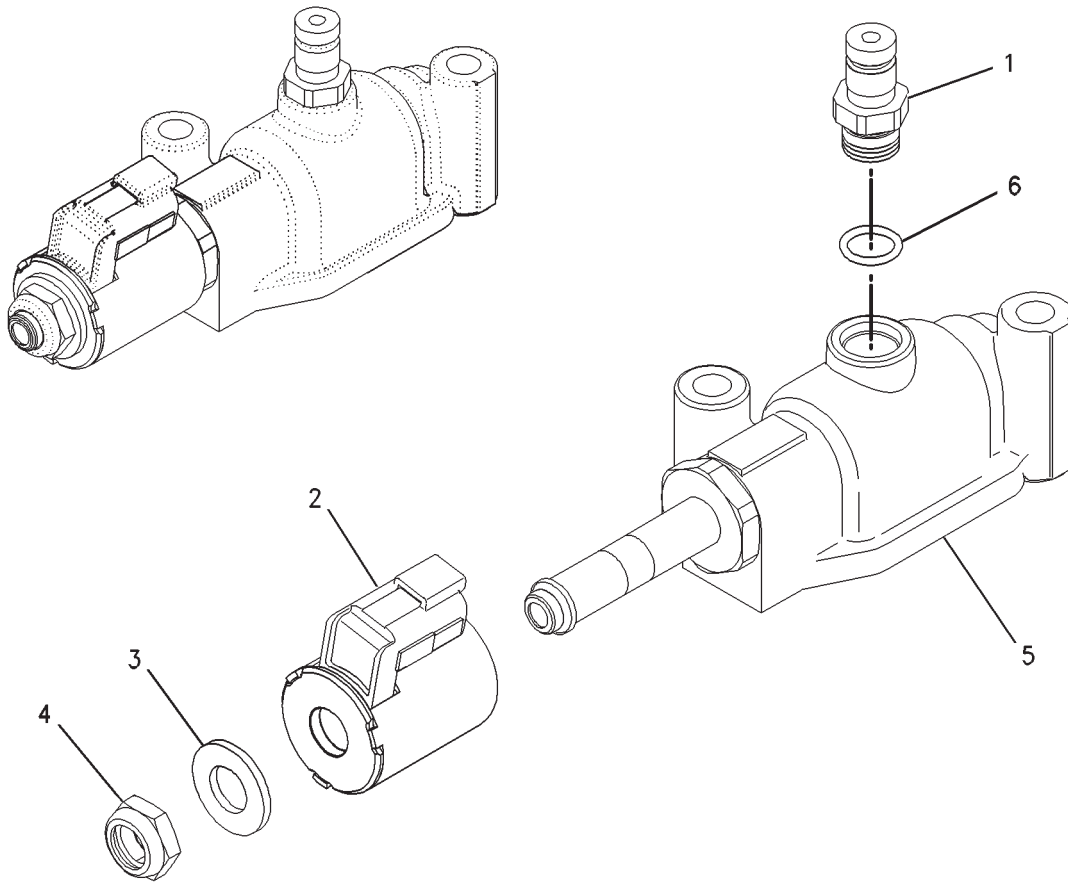
| ITEM | NUMBER | QTY | DESCRIPTION |
|------|----------|-----|--|
| - | 152-5242 | - | TRANSMISSION AR |
| | 155-9579 | 1 | CASE & PARTS GP-PLANETARY 1 (NOT SERVICED) (SEE BREAKDOWN FOR COMPONENTS) |
| | 155-9571 | 1 | CLUTCH GP (INPUT) S/N: 9YY1-1465 (NOT SERVICED) (SEE BREAKDOWN FOR COMPONENTS) |
| | 155-9572 | 1 | CLUTCH GP (INTERMEDIATE) S/N: 9YY1-1465 (NOT SERVICED) (SEE BREAKDOWN FOR COMPONENTS) |
| | 155-9575 | 1 | CLUTCH GP (REVERSE) S/N: 9YY1-1465 (NOT SERVICED) (SEE BREAKDOWN FOR COMPONENTS) |
| | 155-9576 | 1 | CLUTCH GP (OUTPUT) (S/N: 9YY1-1465) (NOT SERVICED) (SEE BREAKDOWN FOR COMPONENTS) |
| | 232-1774 | 1 | CLUTCH GP-TRANSMISSION (S/N: 9YY1466-UP) (NOT SERVICED) (SEE BREAKDOWN FOR COMPONENTS) |
| | 177-5233 | 2 | CLUTCH GP (PLANETARY) (NOT SERVICED) (SEE BREAKDOWN FOR COMPONENTS) |
| | 155-9580 | 1 | CONTROL GP-TRANSMISSION HYD (NOT SERVICED) (SEE BREAKDOWN FOR COMPONENTS) |
| | 177-5234 | 1 | DRIVE GP-PUMP (NOT SERVICED) (SEE BREAKDOWN FOR COMPONENTS) |

[A] PART OF 200-5027, 200-5028,
200-5029, 200-5030 POWER TRAIN AR

NOTIF
PR: t05b22n43d0191

MT800B SERIES TRACTORS
POWER TRAIN

216-5343 VALVE GP-MODULATING
S/N: AZG880-UP; AZH960-UP; 9YY1-UP
12V ELECTRONIC CLUTCH PRESSURE CONTROL



00890963

MT800B SERIES TRACTORS
POWER TRAIN

471

216-5343 VALVE GP-MODULATING
S/N: AZG880-UP; AZH960-UP; 9YY1-UP
12V ELECTRONIC CLUTCH PRESSURE CONTROL

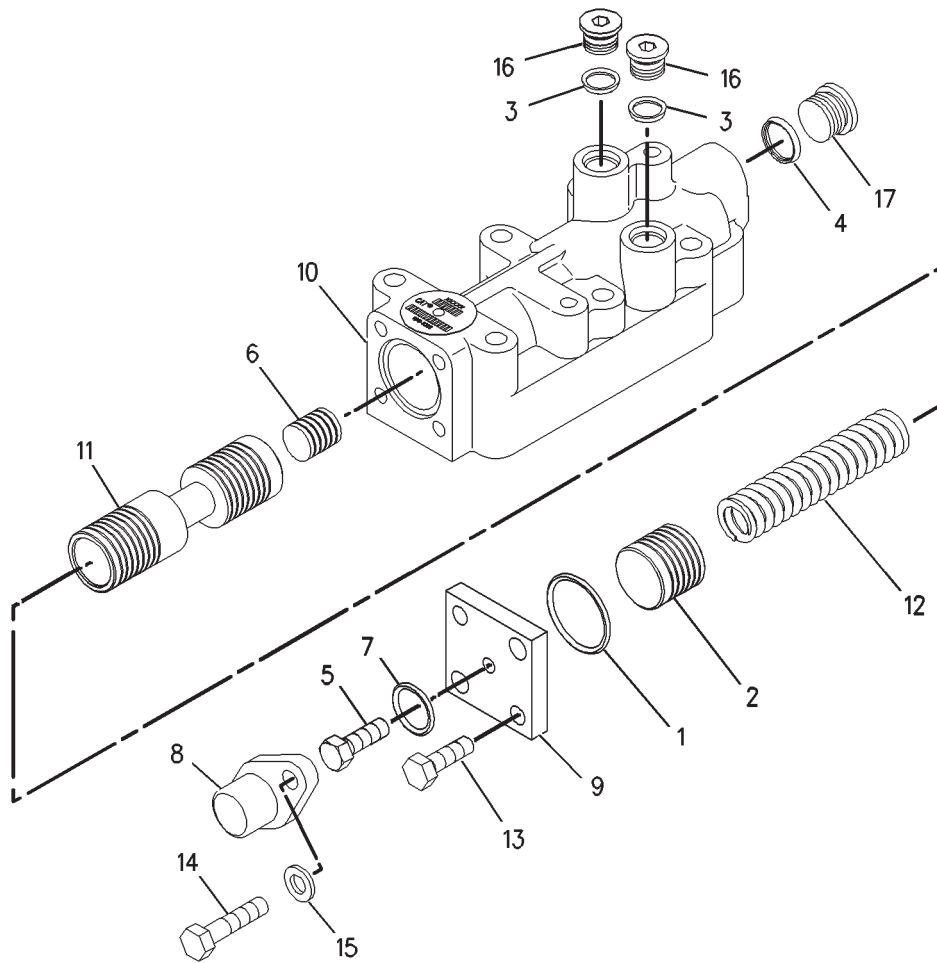
| ITEM | NUMBER | QTY | DESCRIPTION |
|------|----------|-----|---------------------------------|
| - | 216-5343 | - | VALVE GP-MODULATING [A] |
| 1 | 6V-3965 | 1 | FITTING AS |
| 2 | 155-4426 | 1 | COIL AS |
| 3 | 164-2108 | 1 | WASHER (13.03X25.4X2.38-MM THK) |
| 4 | 167-9524 | 1 | NUT-SELF-LOCKING (1/2-28-THD) |
| 5 | | 1 | VALVE AS [Z] |
| 6 | 3J-1907 | 1 | SEAL-O-RING |

[A] PART OF:
155-9580 CONTROL GP-TRANSMISSION HYD
187-4930 POWER TAKE-OFF GP
[Z] NOT SERVICED SEPARATELY

00890963
PR: t05b22n43d0192

MT800B SERIES TRACTORS
POWER TRAIN

198-1013 VALVE GP-RELIEF
S/N: 9YY1-UP



00894902

MT800B SERIES TRACTORS
POWER TRAIN

473

198-1013 VALVE GP-RELIEF
S/N: 9YY1-UP

| ITEM | NUMBER | QTY | DESCRIPTION |
|------|----------|-----|---------------------------------|
| - | 198-1013 | - | VALVE GP-RELIEF [A] |
| 1 | 2S-4663 | 1 | SEAL-O-RING |
| 2 | 2S-5835 | 1 | PISTON-LOAD |
| 3 | 3J-1907 | 2 | SEAL-O-RING |
| 4 | 3K-0360 | 1 | SEAL-O-RING |
| 5 | 4M-5905 | 1 | SCREW-ADJUSTMENT (5/16-18X1-IN) |
| 6 | 8E-1143 | 1 | SLUG |
| 7 | 8M-5253 | 1 | SEAL-O-RING |
| 8 | 9M-2110 | 1 | COVER-ADJUSTMENT |
| 9 | 115-4550 | 1 | COVER |
| 10 | 172-7966 | 1 | BODY |
| 11 | 172-7968 | 1 | SPOOL AS |
| | 3D-8317 | 1 | RING-RETAINING |
| | 4B-9880 | 1 | BALL |
| | 4M-2381 | 1 | SPRING |
| | 9U-8669 | 1 | RETAINER |
| 12 | 174-7449 | 1 | SPRING |
| 13 | 6V-3940 | 2 | BOLT (M8X1.25X25-MM) |
| 14 | 6V-5218 | 2 | BOLT (M8X1.25X35-MM) |
| 15 | 9M-1974 | 2 | WASHER-HARD (8.8X16X2-MM THK) |
| 16 | 9S-8004 | 2 | PLUG |
| 17 | 241-6205 | 1 | PLUG |

[A] PART OF 155-9580 CONTROL GP
-TRANSMISSION HYD

00894902
PR: t05b22n43d0193

474

MT800B SERIES TRACTORS
POWER TRAIN

185-3955 AXLE AR-WITH POWER TAKE-OFF
S/N: AZG1-UP
2286-3251 MM (90-128 IN)

NO ILLUSTRATION

NOTIF

MT800B SERIES TRACTORS
POWER TRAIN

475

185-3955 AXLE AR-WITH POWER TAKE-OFF
S/N: AZG1-UP
2286-3251 MM (90-128 IN)

| ITEM | NUMBER | QTY | DESCRIPTION |
|------|----------|-----|--|
| - | 185-3955 | - | AXLE AR-WITH POWER TAKE-OFF [A] (NOT SERVICED) |
| | 180-4376 | 1 | DIFFERENTIAL GP (NOT SERVICED) (SEE BREAKDOWN FOR COMPONENTS) |
| | 179-9479 | 2 | FINAL DRIVE GP (NOT SERVICED) (SEE BREAKDOWN FOR COMPONENTS) |
| | 187-4930 | 1 | POWER TAKE-OFF GP (NOT SERVICED) (SEE BREAKDOWN FOR COMPONENTS) |

[A] PART OF 200-5027 POWER TRAIN AR

NOTIF
PR: t05b22n43d0194

476

MT800B SERIES TRACTORS
POWER TRAIN

185-3956 AXLE AR-WITH POWER TAKE-OFF
S/N: AZH1-UP
2286-2600 MM (90-102 IN)

NO ILLUSTRATION

NOTIF

MT800B SERIES TRACTORS
POWER TRAIN

477

185-3956 AXLE AR-WITH POWER TAKE-OFF
S/N: AZH1-UP
2286-2600 MM (90-102 IN)

| ITEM | NUMBER | QTY | DESCRIPTION |
|------|----------|-----|--|
| - | 185-3956 | - | AXLE AR-WITH POWER TAKE-OFF [A] (NOT SERVICED) |
| | 180-4376 | 1 | DIFFERENTIAL GP (NOT SERVICED) (SEE BREAKDOWN FOR COMPONENTS) |
| | 179-9480 | 2 | FINAL DRIVE GP (NOT SERVICED) (SEE BREAKDOWN FOR COMPONENTS) |
| | 187-4930 | 1 | POWER TAKE-OFF GP (NOT SERVICED) (SEE BREAKDOWN FOR COMPONENTS) |

[A] PART OF 200-5028 POWER TRAIN AR

NOTIF
PR: t05b22n43d0195

478

MT800B SERIES TRACTORS
POWER TRAIN

185-3957 AXLE AR
S/N: AZJ1-UP
2286-3251 MM (90-128 IN)
CANNOT BE USED WITH POWER TAKE OFF

NO ILLUSTRATION

NOTIF

MT800B SERIES TRACTORS
POWER TRAIN

479

185-3957 AXLE AR
S/N: AZJ1-UP
2286-3251 MM (90-128 IN)

CANNOT BE USED WITH POWER TAKE OFF

| ITEM | NUMBER | QTY | DESCRIPTION |
|------|----------|-----|--|
| - | 185-3957 | - | AXLE AR [A] (NOT SERVICED) |
| | 185-8737 | 1 | COVER GP-DIFFERENTIAL (NOT SERVICED) (SEE BREAKDOWN FOR COMPONENTS) |
| | 180-4376 | 1 | DIFFERENTIAL GP (NOT SERVICED) (SEE BREAKDOWN FOR COMPONENTS) |
| | 179-9479 | 2 | FINAL DRIVE GP (NOT SERVICED) (SEE BREAKDOWN FOR COMPONENTS) |

[A] PART OF 200-5029 POWER TRAIN AR

NOTIF
PR: t05b22n43d0196

480

MT800B SERIES TRACTORS
POWER TRAIN

185-3958 AXLE AR-WITHOUT POWER TAKE-OFF
S/N: AZK1-UP
2286-2600 MM (90-102 IN)

NO ILLUSTRATION

NOTIF

MT800B SERIES TRACTORS

481

POWER TRAIN**185-3958 AXLE AR-WITHOUT POWER TAKE-OFF**

S/N: AZK1-UP

2286-2600 MM (90-102 IN)

| ITEM | NUMBER | QTY | DESCRIPTION |
|------|----------|-----|--|
| - | 185-3958 | - | AXLE AR-WITHOUT POWER TAKE-OFF [A] (NOT SERVICED) |
| | 185-8737 | 1 | COVER GP-DIFFERENTIAL (NOT SERVICED) (SEE BREAKDOWN FOR COMPONENTS) |
| | 180-4376 | 1 | DIFFERENTIAL GP (NOT SERVICED) (SEE BREAKDOWN FOR COMPONENTS) |
| | 179-9480 | 2 | FINAL DRIVE GP (NOT SERVICED) (SEE BREAKDOWN FOR COMPONENTS) |

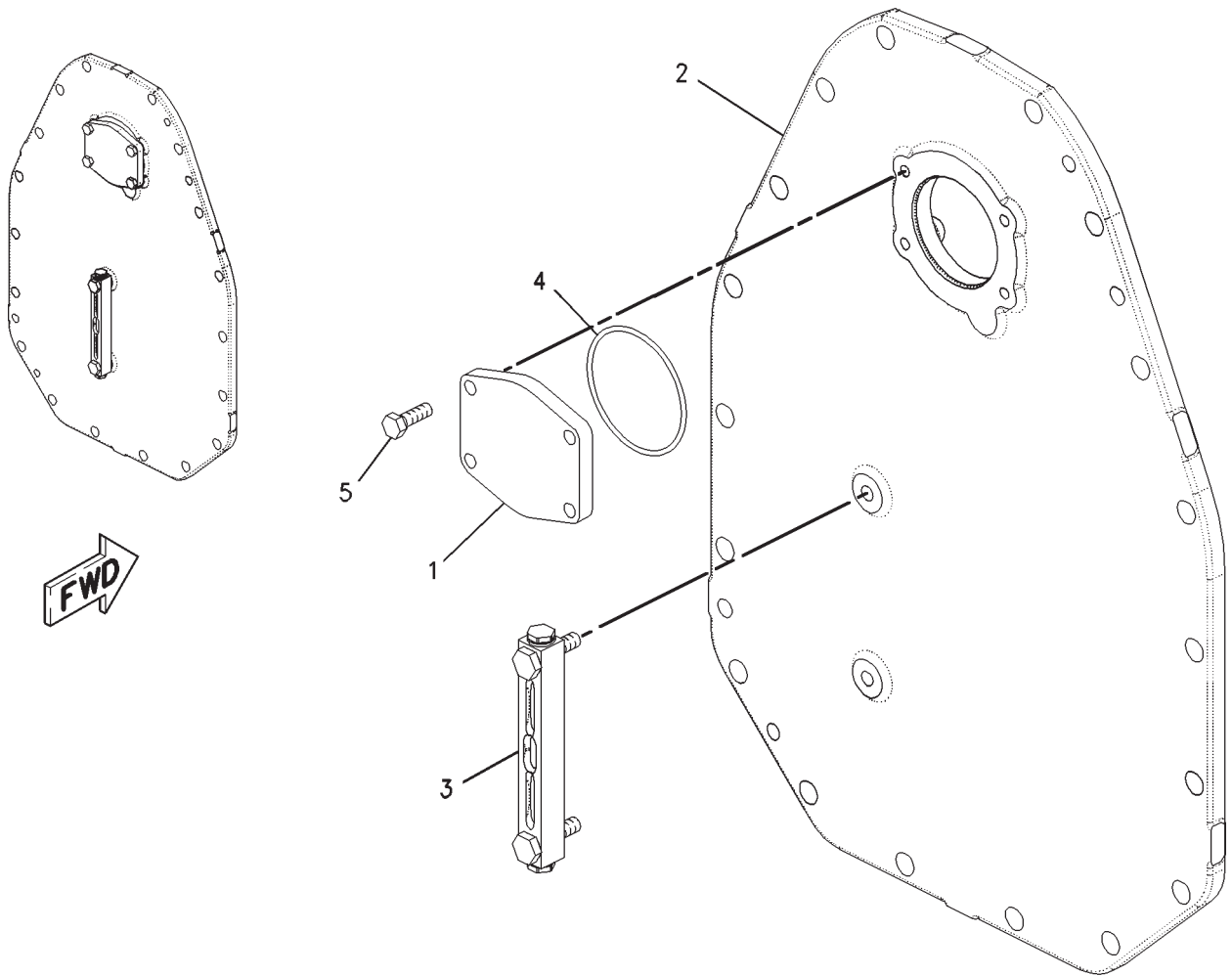
[A] PART OF 200-5030 POWER TRAIN AR

NOTIF
PR: t05b22n43d0197

482

MT800B SERIES TRACTORS
POWER TRAIN

185-8737 COVER GP-DIFFERENTIAL
S/N: AZJ1-UP; AZK1-UP



00893383

MT800B SERIES TRACTORS
POWER TRAIN

483

185-8737 COVER GP-DIFFERENTIAL
S/N: AZJ1-UP; AZK1-UP

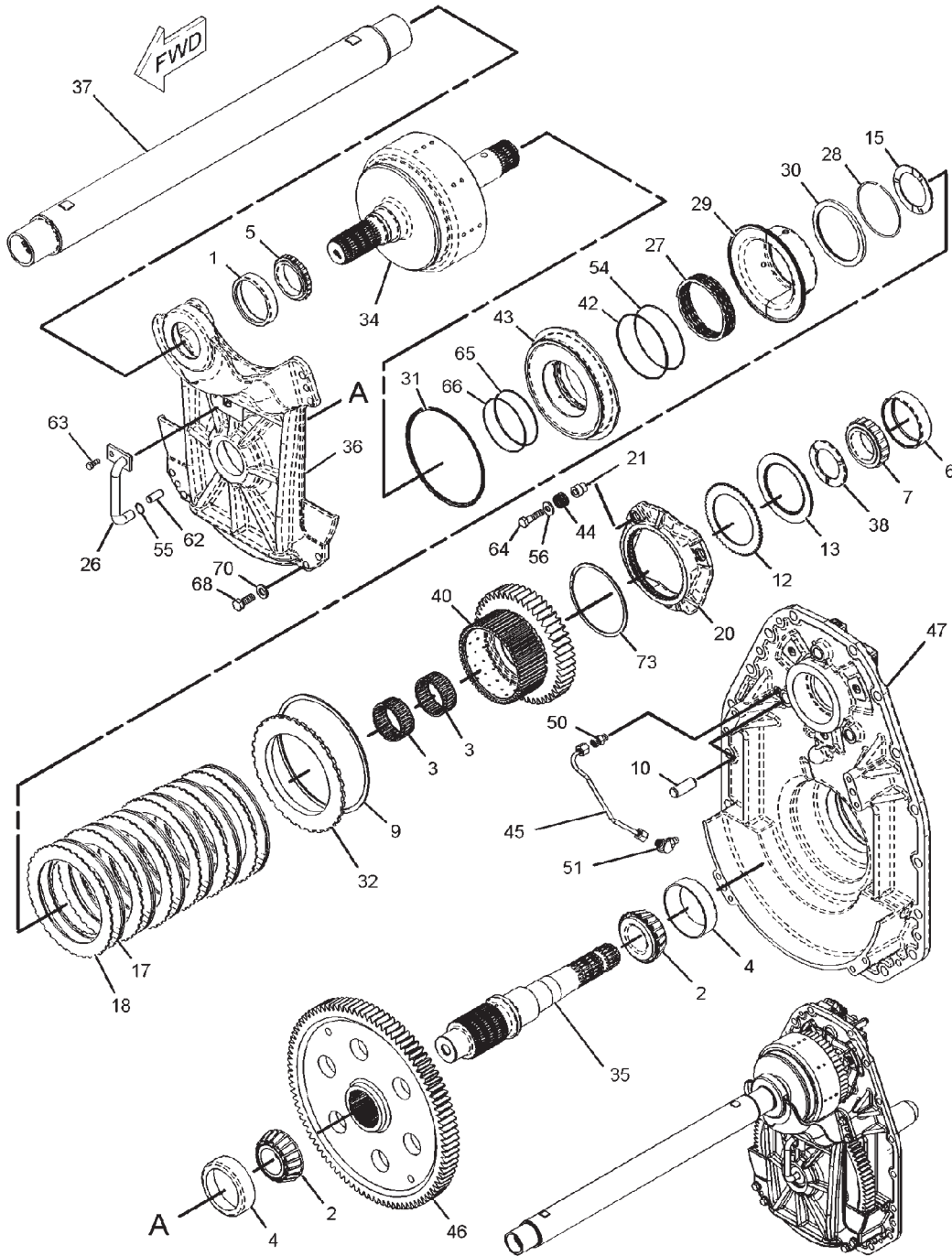
| ITEM | NUMBER | QTY | DESCRIPTION |
|------|----------|-----|---|
| - | 185-8737 | - | COVER GP-DIFFERENTIAL [A] (NOT SERVICED) |
| 1 | 170-7290 | 1 | COVER |
| 2 | 217-3555 | 1 | COVER |
| 3 | 217-3557 | 1 | GAUGE-SIGHT |
| 4 | 131-3718 | 1 | SEAL-O-RING |
| 5 | 8T-4195 | 4 | BOLT (M10X1.5X30MM) |

[A] PART OF 185-3957, 185-3958 AXLE AR

00893383
PR: t05b22n43d0198

MT800B SERIES TRACTORS
POWER TRAIN

187-4930 POWER TAKE-OFF GP
S/N: AZG1-879; AZH1-959
1 OF 2



MT800B SERIES TRACTORS
POWER TRAIN

485

187-4930 POWER TAKE-OFF GP
S/N: AZG1-879; AZH1-959
1 OF 2

| ITEM | NUMBER | QTY | DESCRIPTION |
|------|----------|-----|----------------------------------|
| - | 187-4930 | - | POWER TAKE-OFF GP (NOT SERVICED) |
| 1 | 172-3441 | 1 | RACE-ROLLER BEARING |
| 2 | 008-3178 | 2 | CONE-BEARING |
| 3 | 124-0492 | 2 | BEARING-CAGED |
| 4 | 2D-9190 | 2 | CUP-BEARING |
| 5 | 6H-7611 | 1 | BEARING-INNER |
| 6 | 8E-8276 | 1 | RACE-BEARING OUTER |
| 7 | 8E-8277 | 1 | BEARING-INNER |
| 9 | 4D-7889 | 1 | RING |
| 10 | 4T-4200 | 3 | SLUG |
| 12 | 6Y-5631 | 1 | PLATE-CLUTCH |
| 13 | 6Y-7968 | 1 | DISC-FRICTION |
| 15 | 8E-8653 | 1 | DISC-THRUST |
| 17 | 134-8360 | 6 | DISC-FRICTION |
| 18 | 134-8361 | 6 | PLATE-CLUTCH |
| 20 | 161-8739 | 1 | PLATE-BRAKE |
| 21 | 161-8848 | 3 | BUSHING |
| 26 | 168-4558 | 1 | TUBE AS |
| 27 | 173-5392 | 1 | SPRING |
| 28 | 177-5241 | 1 | RING-RETAINING |
| 29 | 177-5243 | 1 | SEAL AS |
| 30 | 177-5246 | 1 | RING-SPACER |
| 31 | 177-6797 | 1 | RING-SEAL |
| 32 | 177-6804 | 1 | PLATE-END |
| 34 | 180-8378 | 1 | SHAFT AS |
| | 7T-9356 | 1 | PLUG-CUP |
| | 9W-0719 | 1 | PLUG |
| 35 | 180-8382 | 1 | SHAFT |
| 36 | 180-8385 | 1 | CARRIER-BEARING |
| 37 | 180-8393 | 1 | SHAFT AS |
| 38 | 180-8395 | 1 | DISC-THRUST |

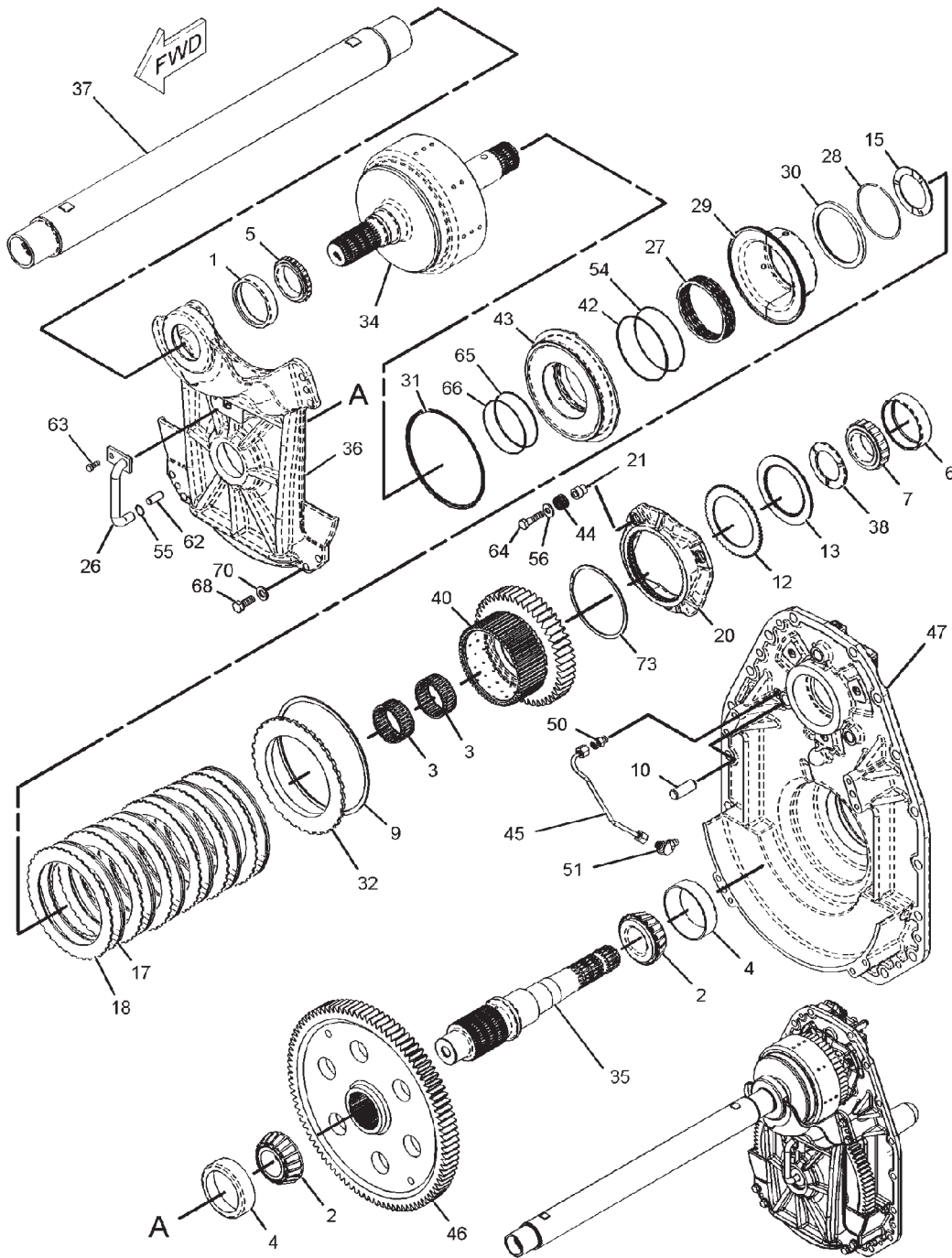
CONTINUED

[A] PART OF 185-3955, 185-3956 AXLE AR

01122766
PR: t05b22n43d0199

MT800B SERIES TRACTORS
POWER TRAIN

187-4930 POWER TAKE-OFF GP
S/N: AZG1-879; AZH1-959
1 OF 2



MT800B SERIES TRACTORS
POWER TRAIN

487

187-4930 POWER TAKE-OFF GP
S/N: AZG1-879; AZH1-959
1 OF 2

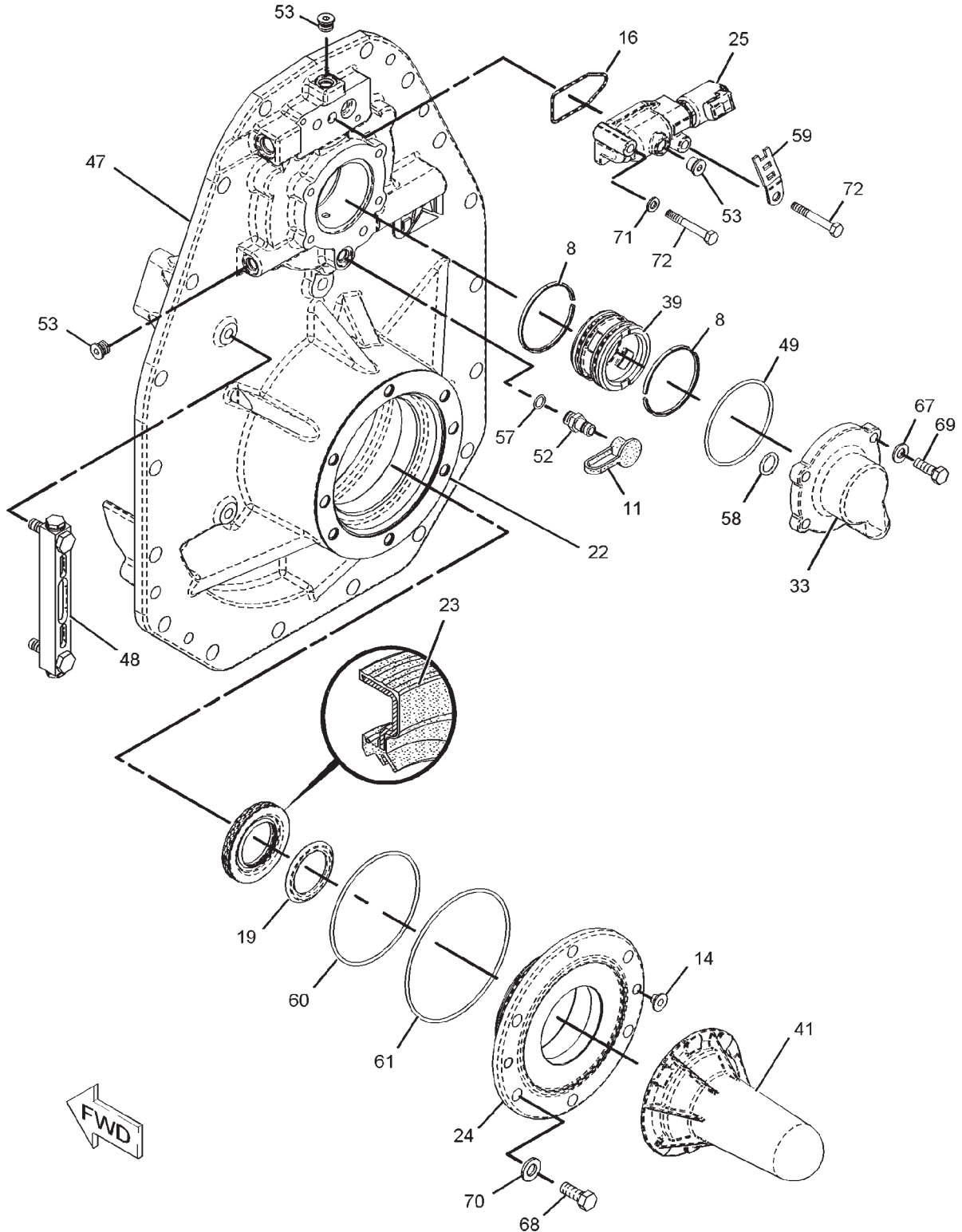
| ITEM | NUMBER | QTY | DESCRIPTION |
|------|----------|-----|----------------------------------|
| - | 187-4930 | - | POWER TAKE-OFF GP (NOT SERVICED) |
| 40 | 191-5262 | 1 | GEAR (48-TEETH) |
| 42 | 200-3039 | 1 | RING-SEAL |
| 43 | 203-2631 | 1 | PISTON |
| 44 | 210-1975 | 3 | SPRING |
| 45 | 211-8276 | 1 | TUBE AS |
| 46 | 216-9213 | 1 | GEAR (95-TEETH) |
| 47 | 217-3556 | 1 | COVER |
| 50 | 148-8316 | 1 | CONNECTOR AS |
| | 3J-7354 | 1 | SEAL-O-RING |
| | 4J-5477 | 1 | SEAL-O-RING |
| | 6V-8647 | 1 | CONNECTOR |
| 51 | 148-8385 | 1 | ELBOW AS |
| | 3J-7354 | 1 | SEAL-O-RING |
| | 4J-5477 | 1 | SEAL-O-RING |
| | 6V-9000 | 1 | ELBOW |
| 54 | 199-9240 | 1 | SEAL-O-RING |
| 55 | 1L-3162 | 1 | RING-RETAINING |
| 56 | 3E-4353 | 3 | WASHER-HARD (11X25X3-MM THK) |
| 62 | 5M-7937 | 2 | DOWEL |
| 63 | 6V-5215 | 1 | BOLT (M8X1.25X16-MM) |
| 64 | 6V-5842 | 3 | BOLT (M10X1.5X40-MM) |
| 65 | 7T-5594 | 1 | RING-SEAL |
| 66 | 8T-2572 | 1 | SEAL-O-RING |
| 68 | 8T-4139 | 8 | BOLT (M12X1.75X30-MM) |
| 70 | 8T-4223 | 8 | WASHER-HARD (13.5X25.5X3-MM THK) |
| 73 | 9U-8875 | 1 | RING-RETAINING |

[A] PART OF 185-3955, 185-3956 AXLE AR

01122766
PR: t05b22n43d0199

MT800B SERIES TRACTORS
POWER TRAIN

187-4930 POWER TAKE-OFF GP
S/N: AZG1-879; AZH1-959
2 OF 2



01124521

MT800B SERIES TRACTORS
POWER TRAIN

489

187-4930 POWER TAKE-OFF GP
S/N: AZG1-879; AZH1-959
2 OF 2

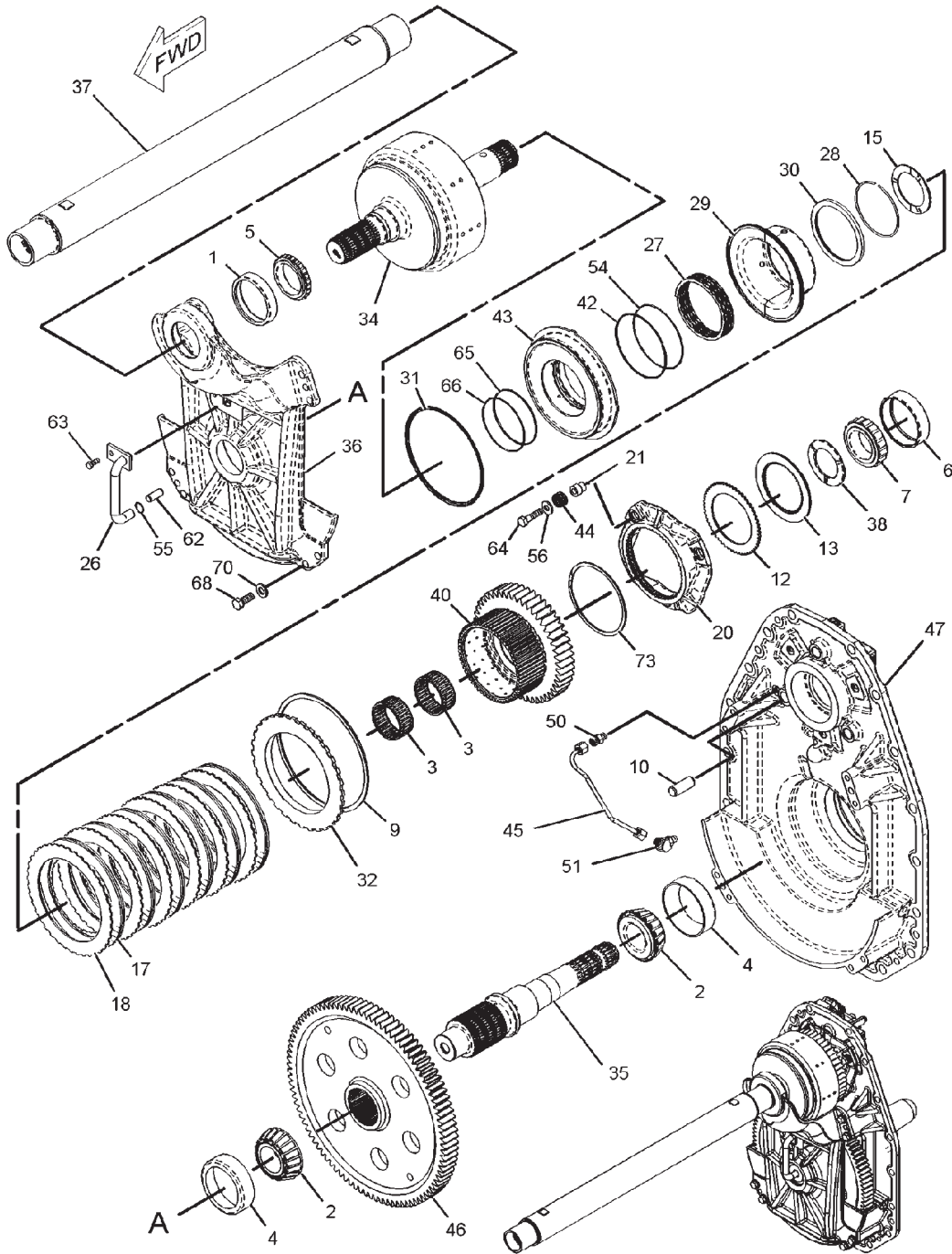
| ITEM | NUMBER | QTY | DESCRIPTION |
|------|----------|-----|--|
| - | 187-4930 | - | POWER TAKE-OFF GP (NOT SERVICED) |
| 8 | 1T-1597 | 2 | RING-SEAL |
| 11 | 6V-0852 | 1 | CAP-DUST |
| 14 | 7C-6467 | 2 | PLUG |
| 16 | 8S-0768 | 1 | SEAL-O-RING |
| 19 | 160-6789 | 1 | GUARD |
| 22 | 164-3949 | 1 | SHIM PACK (INCLUDES 13-SHIMS) |
| 23 | 164-3951 | 1 | SEAL-LIP TYPE |
| 24 | 165-0260 | 1 | CAGE-BEARING |
| 25 | 216-5343 | 1 | VALVE GP-MODULATING (CLUTCH PACK HYDRAULIC OIL) (SEE BREAKDOWN FOR COMPONENTS) |
| 33 | 180-8369 | 1 | COVER |
| 39 | 188-7731 | 1 | CARRIER-RING |
| 41 | 199-4273 | 1 | COVER AS |
| 47 | 217-3556 | 1 | COVER |
| 48 | 217-3557 | 1 | GAUGE-SIGHT |
| 49 | 131-3718 | 1 | SEAL-O-RING |
| 52 | 6V-3965 | 1 | FITTING AS [B] |
| 53 | 162-0177 | 3 | PLUG AS |
| | 3J-1907 | 1 | SEAL-O-RING |
| | 9S-8004 | 1 | PLUG |
| 57 | 3J-1907 | 1 | SEAL-O-RING |
| 58 | 4J-5140 | 1 | SEAL-O-RING |
| 59 | 4P-7581 | 1 | CLIP |
| 60 | 5F-3999 | 1 | SEAL-O-RING |
| 61 | 5H-3252 | 1 | SEAL-O-RING |
| 67 | 8T-4121 | 4 | WASHER-HARD (11X21X2.5-MM THK) |
| 68 | 8T-4139 | 6 | BOLT (M12X1.75X30-MM) |
| 69 | 8T-4195 | 4 | BOLT (M10X1.5X30-MM) |
| 70 | 8T-4223 | 6 | WASHER-HARD (13.5X25.5X3-MM THK) |
| 71 | 8T-4224 | 1 | WASHER-HARD (8.8X16X2-MM THK) |
| 72 | 8T-6869 | 2 | BOLT (M8X1.25X60-MM) |

[A] PART OF 185-3955, 185-3956 AXLE AR
[B] NOT PART OF THIS GROUP

01124521
PR: t05b22n43d0200

MT800B SERIES TRACTORS POWER TRAIN

187-4930 POWER TAKE-OFF GP
S/N: AZG880-900; AZH960-971
1 OF 2



MT800B SERIES TRACTORS
POWER TRAIN

491

187-4930 POWER TAKE-OFF GP
S/N: AZG880-900; AZH960-971
1 OF 2

| ITEM | NUMBER | QTY | DESCRIPTION |
|------|----------|-----|--------------------------------------|
| - | 187-4930 | - | POWER TAKE-OFF GP [A] (NOT SERVICED) |
| 1 | 172-3441 | 1 | RACE-ROLLER BEARING |
| 2 | 008-3178 | 2 | CONE-BEARING |
| 3 | 124-0492 | 2 | BEARING-CAGED |
| 4 | 2D-9190 | 2 | CUP-BEARING |
| 5 | 6H-7611 | 1 | BEARING-INNER |
| 6 | 8E-8276 | 1 | RACE-BEARING OUTER |
| 7 | 8E-8277 | 1 | BEARING-INNER |
| 9 | 4D-7889 | 1 | RING |
| 10 | 4T-4200 | 3 | SLUG |
| 12 | 6Y-5631 | 1 | PLATE-CLUTCH |
| 13 | 6Y-7968 | 1 | DISC-FRICTION |
| 15 | 8E-8653 | 1 | DISC-THRUST |
| 17 | 134-8360 | 6 | DISC-FRICTION |
| 18 | 134-8361 | 6 | PLATE-CLUTCH |
| 20 | 161-8739 | 1 | PLATE-BRAKE |
| 21 | 161-8848 | 3 | BUSHING |
| 26 | 168-4558 | 1 | TUBE AS |
| 27 | 173-5392 | 1 | SPRING |
| 28 | 177-5241 | 1 | RING-RETAINING |
| 29 | 177-5243 | 1 | SEAL AS |
| 30 | 177-5246 | 1 | RING-SPACER |
| 31 | 177-6797 | 1 | RING-SEAL |
| 32 | 177-6804 | 1 | PLATE-END |
| 34 | 180-8378 | 1 | SHAFT AS |
| | 7T-9356 | 1 | PLUG-CUP |
| | 9W-0719 | 1 | PLUG |
| 35 | 180-8382 | 1 | SHAFT |
| 36 | 180-8385 | 1 | CARRIER-BEARING |
| 37 | 180-8393 | 1 | SHAFT AS |
| 38 | 180-8395 | 1 | DISC-THRUST |

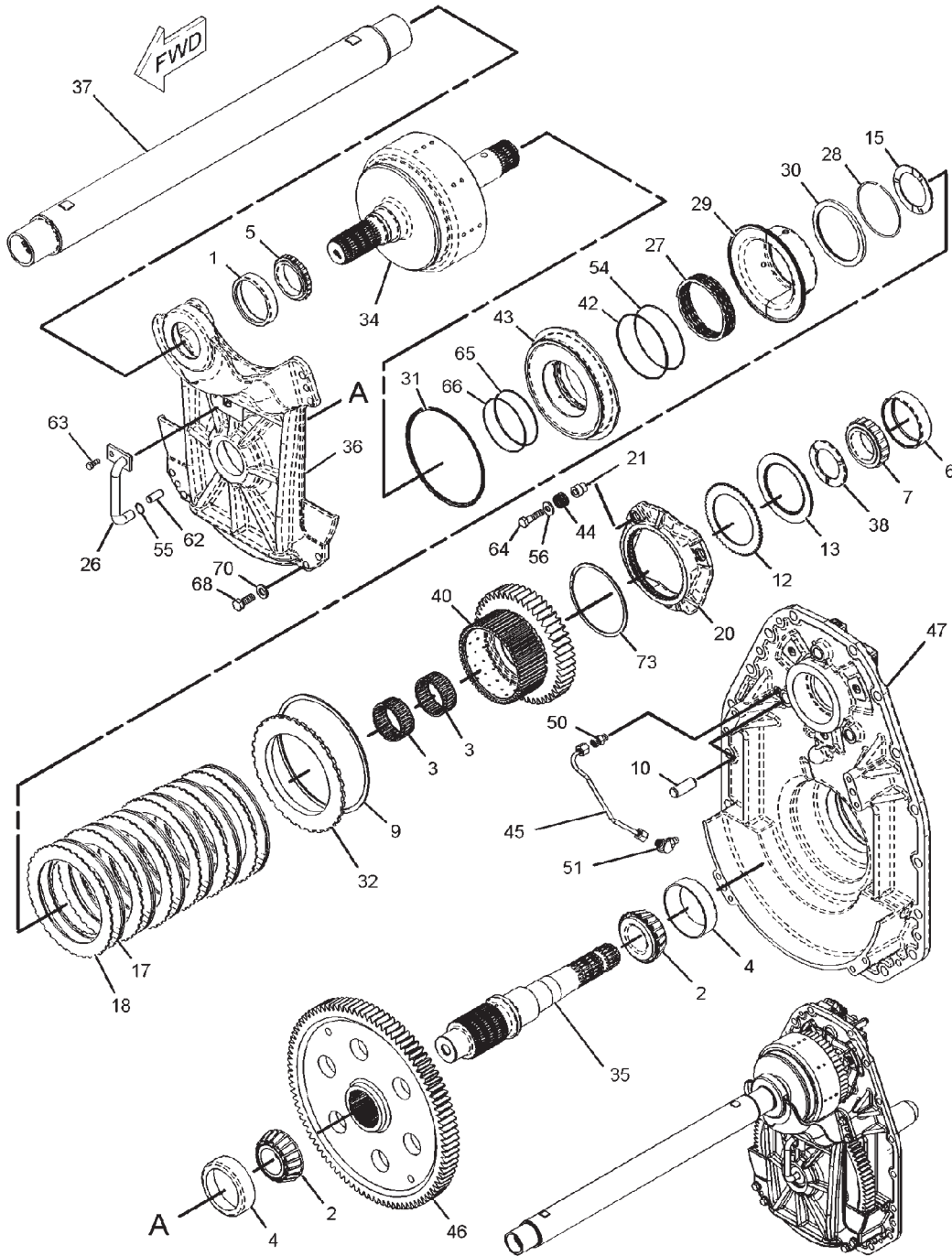
CONTINUED

[A] PART OF 185-3955, 185-3956 AXLE AR

01122766
PR: t05b22n43d0201

MT800B SERIES TRACTORS
POWER TRAIN

187-4930 POWER TAKE-OFF GP
S/N: AZG880-900; AZH960-971
1 OF 2



MT800B SERIES TRACTORS
POWER TRAIN

493

187-4930 POWER TAKE-OFF GP
S/N: AZG880-900; AZH960-971
1 OF 2

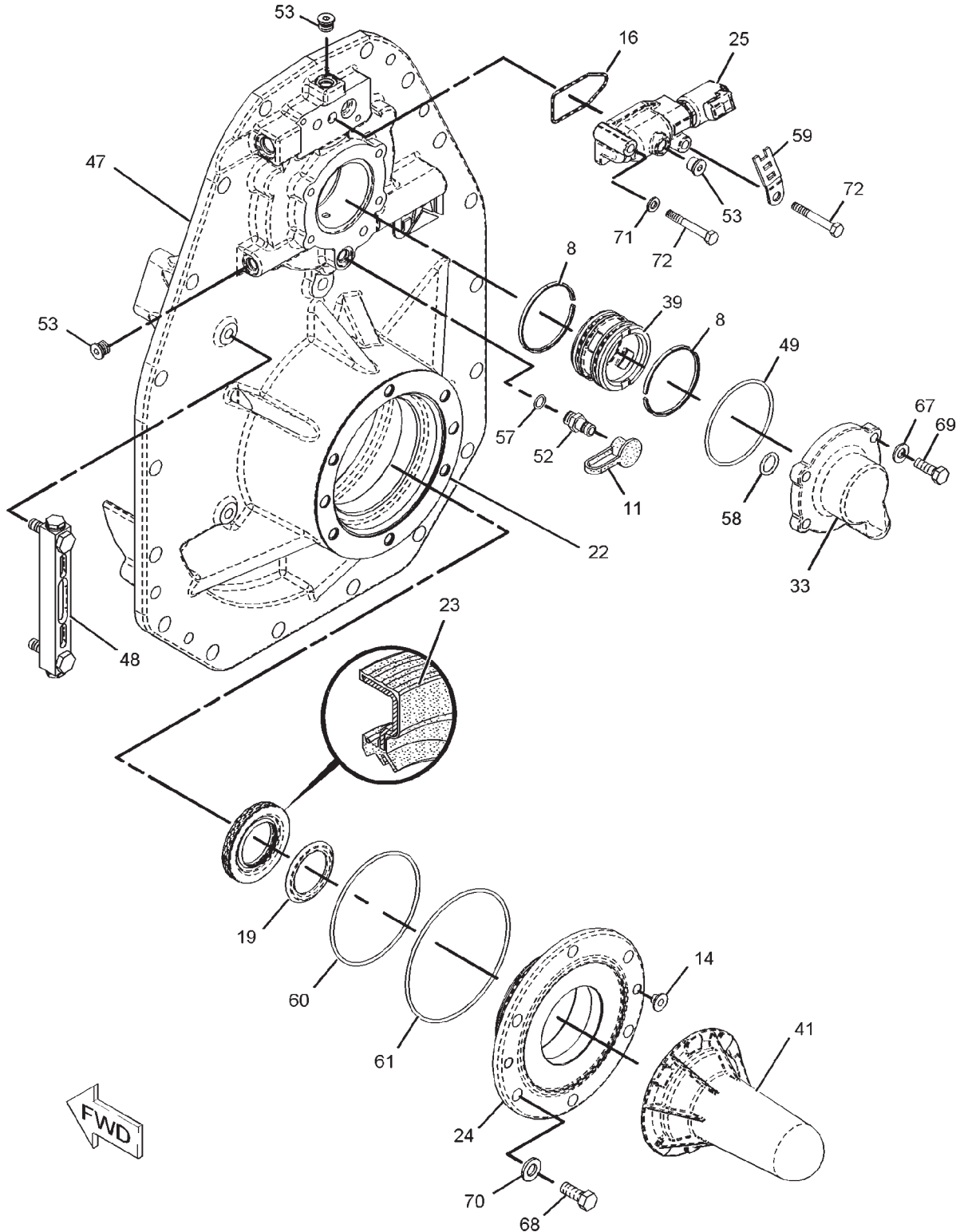
| ITEM | NUMBER | QTY | DESCRIPTION |
|------|----------|-----|--------------------------------------|
| - | 187-4930 | - | POWER TAKE-OFF GP [A] (NOT SERVICED) |
| 40 | 191-5262 | 1 | GEAR (48-TEETH) |
| 42 | 200-3039 | 1 | RING-SEAL |
| 43 | 203-2631 | 1 | PISTON |
| 44 | 210-1975 | 3 | SPRING |
| 45 | 211-8276 | 1 | TUBE AS |
| 46 | 216-9213 | 1 | GEAR (95-TEETH) |
| 47 | 217-3556 | 1 | COVER |
| 50 | 148-8316 | 1 | CONNECTOR AS |
| | 3J-7354 | 1 | SEAL-O-RING |
| | 4J-5477 | 1 | SEAL-O-RING |
| | 6V-8647 | 1 | CONNECTOR |
| 51 | 148-8385 | 1 | ELBOW AS |
| | 3J-7354 | 1 | SEAL-O-RING |
| | 4J-5477 | 1 | SEAL-O-RING |
| | 6V-9000 | 1 | ELBOW |
| 54 | 199-9240 | 1 | SEAL-O-RING |
| 55 | 1L-3162 | 1 | RING-RETAINING |
| 56 | 3E-4353 | 3 | WASHER-HARD (11X25X3-MM THK) |
| 62 | 5M-7937 | 2 | DOWEL |
| 63 | 6V-5215 | 1 | BOLT (M8X1.25X16-MM) |
| 64 | 6V-5842 | 3 | BOLT (M10X1.5X40-MM) |
| 65 | 7T-5594 | 1 | RING-SEAL |
| 66 | 8T-2572 | 1 | SEAL-O-RING |
| 68 | 8T-4139 | 8 | BOLT (M12X1.75X30-MM) |
| 70 | 8T-4223 | 8 | WASHER-HARD (13.5X25.5X3-MM THK) |
| 73 | 9U-8875 | 1 | RING-RETAINING |

[A] PART OF 185-3955, 185-3956 AXLE AR

01122766
PR: t05b22n43d0201

MT800B SERIES TRACTORS
POWER TRAIN

187-4930 POWER TAKE-OFF GP
S/N: AZG880-900; AZH960-971
2 OF 2



01124521

MT800B SERIES TRACTORS
POWER TRAIN

495

187-4930 POWER TAKE-OFF GP
S/N: AZG880-900; AZH960-971
2 OF 2

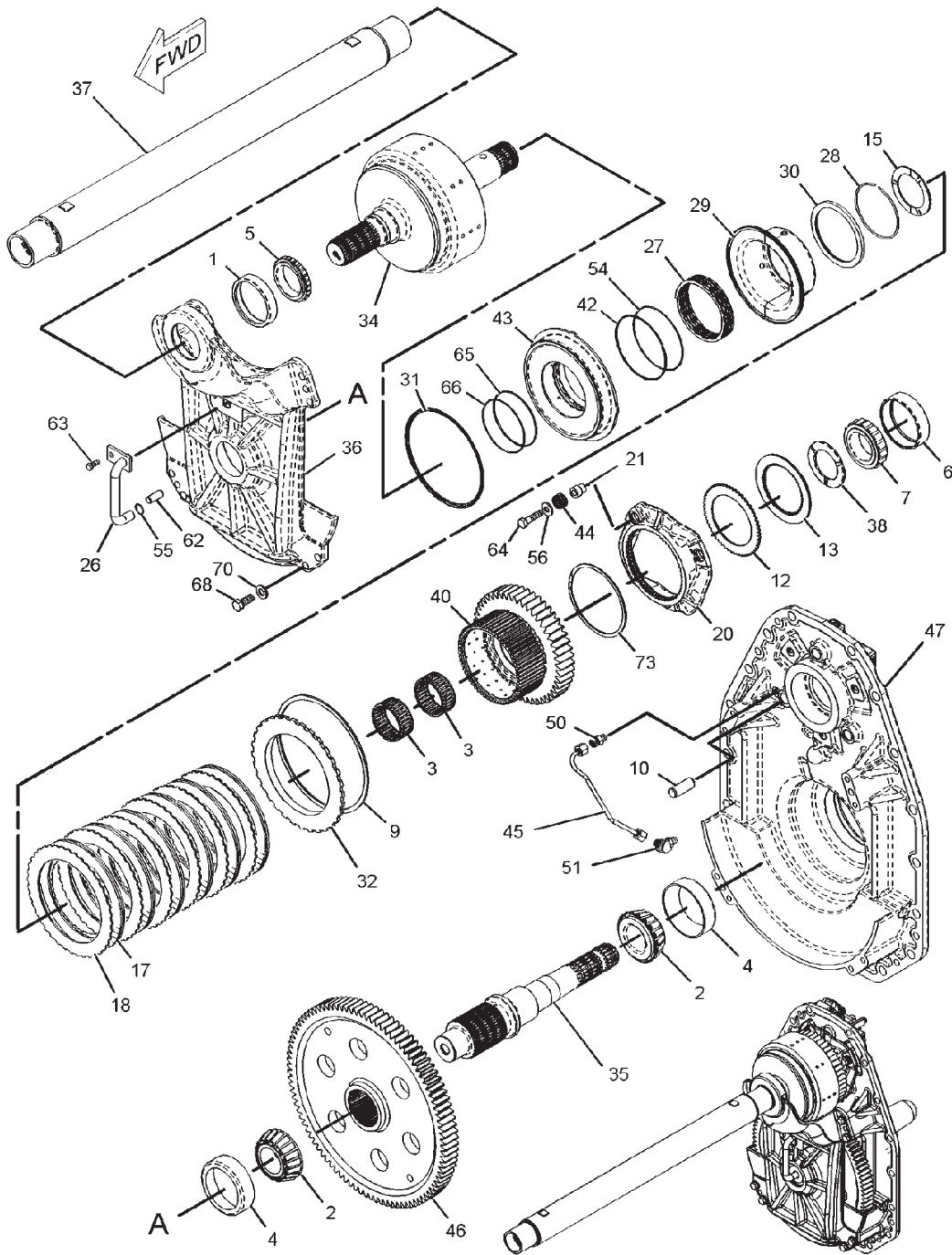
| ITEM | NUMBER | QTY | DESCRIPTION |
|------|----------|-----|--|
| - | 187-4930 | - | POWER TAKE-OFF GP [A] (NOT SERVICED) |
| 8 | 1T-1597 | 2 | RING-SEAL |
| 11 | 6V-0852 | 1 | CAP-DUST |
| 14 | 7C-6467 | 2 | PLUG |
| 16 | 8S-0768 | 1 | SEAL-O-RING |
| 19 | 160-6789 | 1 | GUARD |
| 22 | 164-3949 | AR | SHIM PACK (INCLUDES 13-SHIMS) |
| 23 | 164-3951 | 1 | SEAL-LIP TYPE |
| 24 | 165-0260 | 1 | CAGE-BEARING |
| 25 | 216-5343 | 1 | VALVE GP-MODULATING [C] (CLUTCH PACK HYDRAULIC OIL) (SEE BREAKDOWN FOR COMPONENTS) |
| 33 | 180-8369 | 1 | COVER |
| 39 | 188-7731 | 1 | CARRIER-RING |
| 41 | 199-4273 | 1 | COVER AS |
| 47 | 217-3556 | 1 | COVER |
| 48 | 217-3557 | 1 | GAUGE-SIGHT |
| 49 | 131-3718 | 1 | SEAL-O-RING |
| 52 | 6V-3965 | 1 | FITTING AS [B] |
| 53 | 162-0177 | 3 | PLUG AS |
| | 3J-1907 | 1 | SEAL-O-RING |
| | 9S-8004 | 1 | PLUG |
| 57 | 3J-1907 | 1 | SEAL-O-RING |
| 58 | 4J-5140 | 1 | SEAL-O-RING |
| 59 | 4P-7581 | 1 | CLIP |
| 60 | 5F-3999 | 1 | SEAL-O-RING |
| 61 | 5H-3252 | 1 | SEAL-O-RING |
| 67 | 8T-4121 | 4 | WASHER-HARD (11X21X2.5-MM THK) |
| 68 | 8T-4139 | 6 | BOLT (M12X1.75X30-MM) |
| 69 | 8T-4195 | 4 | BOLT (M10X1.5X30-MM) |
| 70 | 8T-4223 | 6 | WASHER-HARD (13.5X25.5X3-MM THK) |
| 71 | 8T-4224 | 1 | WASHER-HARD (8.8X16X2-MM THK) |
| 72 | 8T-6869 | 2 | BOLT (M8X1.25X60-MM) |

[A] PART OF 185-3955, 185-3956 AXLE AR
[B] NOT PART OF THIS GROUP
[C] CHANGE FROM PREVIOUS TYPE

01124521
PR: t05b22n43d0202

MT800B SERIES TRACTORS
POWER TRAIN

187-4930 POWER TAKE-OFF GP
S/N: AZG901-UP; AZH972-UP



MT800B SERIES TRACTORS
POWER TRAIN

497

187-4930 POWER TAKE-OFF GP
S/N: AZG901-UP; AZH972-UP

| ITEM | NUMBER | QTY | DESCRIPTION |
|------|----------|-----|--------------------------------------|
| - | 187-4930 | - | POWER TAKE-OFF GP [A] (NOT SERVICED) |
| 1 | 172-3441 | 1 | RACE-ROLLER BEARING |
| 2 | 008-3178 | 2 | CONE-BEARING |
| 3 | 124-0492 | 2 | BEARING-CAGED |
| 4 | 2D-9190 | 2 | CUP-BEARING |
| 5 | 6H-7611 | 1 | BEARING-INNER |
| 6 | 8E-8276 | 1 | RACE-BEARING OUTER |
| 7 | 8E-8277 | 1 | BEARING-INNER |
| 9 | 4D-7889 | 1 | RING |
| 10 | 4T-4200 | 3 | SLUG |
| 12 | 6Y-5631 | 1 | PLATE-CLUTCH |
| 13 | 6Y-7968 | 1 | DISC-FRICTION |
| 15 | 8E-8653 | 1 | DISC-THRUST |
| 17 | 134-8360 | 6 | DISC-FRICTION |
| 18 | 134-8361 | 6 | PLATE-CLUTCH |
| 20 | 161-8739 | 1 | PLATE-BRAKE |
| 21 | 187-8141 | 3 | BUSHING |
| 26 | 168-4558 | 1 | TUBE AS |
| 27 | 173-5392 | 1 | SPRING |
| 28 | 177-5241 | 1 | RING-RETAINING |
| 29 | 177-5243 | 1 | SEAL AS |
| 30 | 177-5246 | 1 | RING-SPACER |
| 31 | 177-6797 | 1 | RING-SEAL |
| 32 | 177-6804 | 1 | PLATE-END |
| 34 | 180-8378 | 1 | SHAFT AS |
| | 7T-9356 | 1 | PLUG-CUP |
| | 9W-0719 | 1 | PLUG |
| 35 | 180-8382 | 1 | SHAFT |
| 36 | 180-8385 | 1 | CARRIER-BEARING |
| 37 | 180-8393 | 1 | SHAFT AS |
| 38 | 180-8395 | 1 | DISC-THRUST |

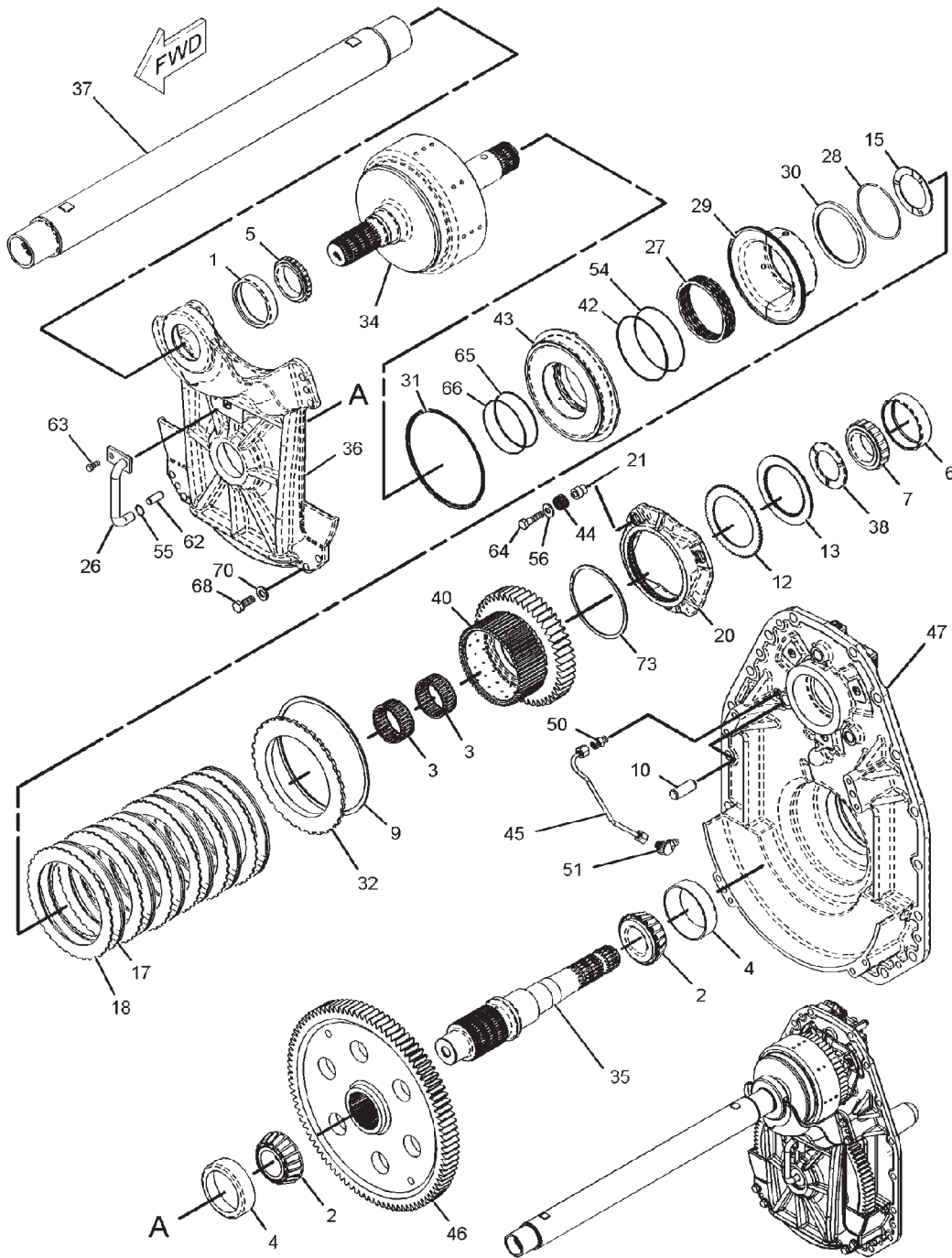
CONTINUED

[A] PART OF 185-3955, 185-3956 AXLE AR

01122766
PR: t05b22n43d0203

MT800B SERIES TRACTORS
POWER TRAIN

187-4930 POWER TAKE-OFF GP
S/N: AZG901-UP; AZH972-UP



MT800B SERIES TRACTORS
POWER TRAIN

499

187-4930 POWER TAKE-OFF GP
S/N: AZG901-UP; AZH972-UP

| ITEM | NUMBER | QTY | DESCRIPTION |
|------|----------|-----|--------------------------------------|
| - | 187-4930 | - | POWER TAKE-OFF GP [A] (NOT SERVICED) |
| 40 | 191-5262 | 1 | GEAR (48-TEETH) |
| 42 | 200-3039 | 1 | RING-SEAL |
| 43 | 203-2631 | 1 | PISTON |
| 44 | 187-8142 | 3 | SPRING |
| 45 | 211-8276 | 1 | TUBE AS |
| 46 | 216-9213 | 1 | GEAR (95-TEETH) |
| 47 | 217-3556 | 1 | COVER |
| 50 | 148-8316 | 1 | CONNECTOR AS |
| | 3J-7354 | 1 | SEAL-O-RING |
| | 4J-5477 | 1 | SEAL-O-RING |
| | 6V-8647 | 1 | CONNECTOR |
| 51 | 148-8385 | 1 | ELBOW AS |
| | 3J-7354 | 1 | SEAL-O-RING |
| | 4J-5477 | 1 | SEAL-O-RING |
| | 6V-9000 | 1 | ELBOW |
| 54 | 199-9240 | 1 | SEAL-O-RING |
| 55 | 1L-3162 | 1 | RING-RETAINING |
| 56 | 3E-4353 | 3 | WASHER-HARD (11X25X3-MM THK) |
| 62 | 5M-7937 | 2 | DOWEL |
| 63 | 6V-5215 | 1 | BOLT (M8X1.25X16-MM) |
| 64 | 6V-4249 | 3 | BOLT (M10X1.5X50-MM) |
| 65 | 7T-5594 | 1 | RING-SEAL |
| 66 | 8T-2572 | 1 | SEAL-O-RING |
| 68 | 8T-4139 | 8 | BOLT (M12X1.75X30-MM) |
| 70 | 8T-4223 | 8 | WASHER-HARD (13.5X25.5X3-MM THK) |
| 73 | 9U-8875 | 1 | RING-RETAINING |

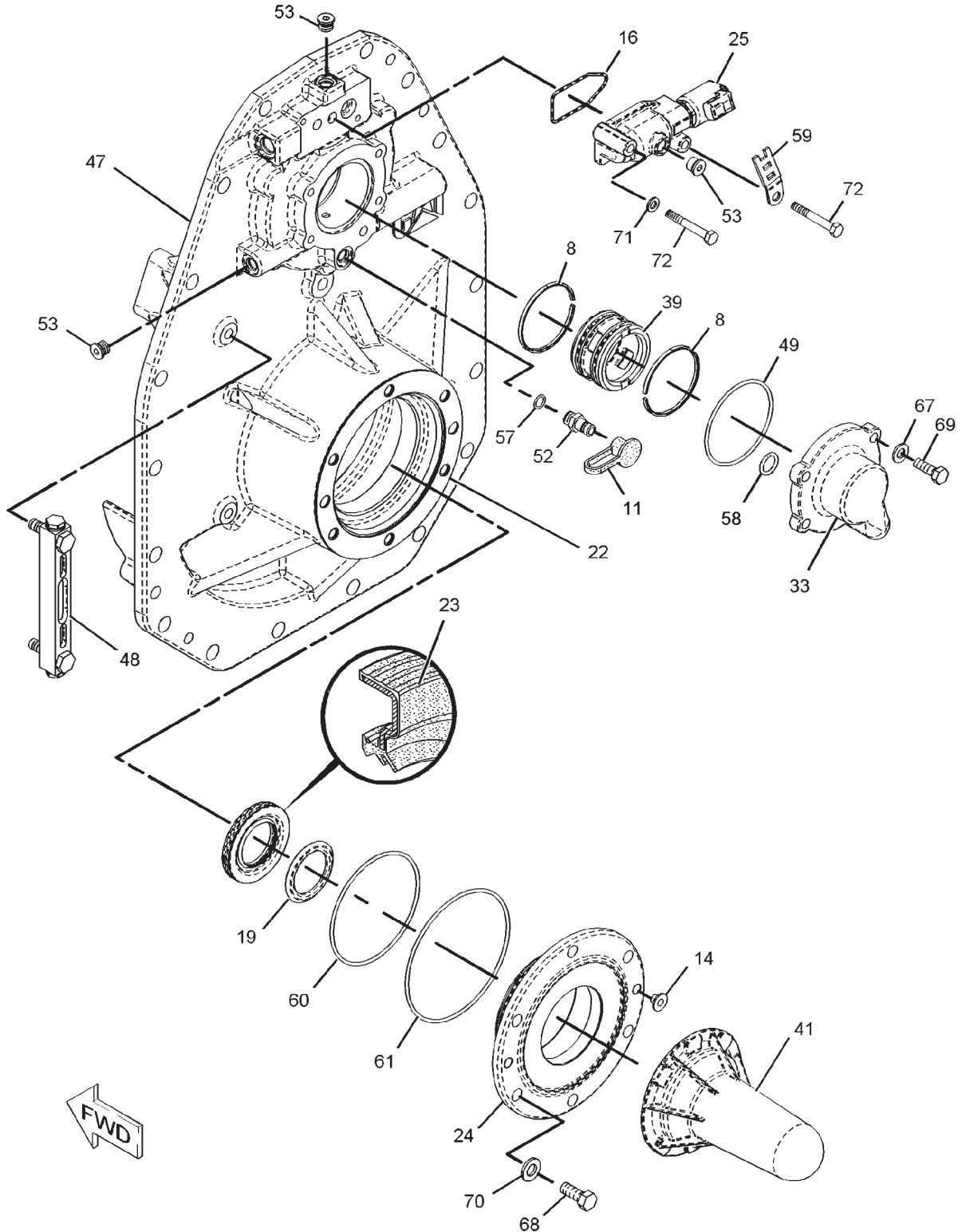
[A] PART OF 185-3955, 185-3956 AXLE AR

01122766
PR: t05b22n43d0203

500

MT800B SERIES TRACTORS
POWER TRAIN

187-4930 POWER TAKE-OFF GP
S/N: AZG901-UP; AZH972-UP



01124521

MT800B SERIES TRACTORS
POWER TRAIN

501

187-4930 POWER TAKE-OFF GP
S/N: AZG901-UP; AZH972-UP

| ITEM | NUMBER | QTY | DESCRIPTION |
|------|----------|-----|--|
| - | 187-4930 | - | POWER TAKE-OFF GP [A] (NOT SERVICED) |
| 8 | 1T-1597 | 2 | RING-SEAL |
| 11 | 6V-0852 | 1 | CAP-DUST |
| 14 | 7C-6467 | 2 | PLUG |
| 16 | 8S-0768 | 1 | SEAL-O-RING |
| 19 | 160-6789 | 1 | GUARD |
| 22 | 164-3949 | AR | SHIM PACK (INCLUDES 13-SHIMS) |
| 23 | 164-3951 | 1 | SEAL-LIP TYPE |
| 24 | 165-0260 | 1 | CAGE-BEARING |
| 25 | 216-5343 | 1 | VALVE GP-MODULATING (CLUTCH PACK HYDRAULIC OIL) (SEE BREAKDOWN FOR COMPONENTS) |
| 33 | 180-8369 | 1 | COVER |
| 39 | 188-7731 | 1 | CARRIER-RING |
| 41 | 199-4273 | 1 | COVER AS |
| 48 | 217-3557 | 1 | GAUGE-SIGHT |
| 49 | 131-3718 | 1 | SEAL-O-RING |
| 52 | 6V-3965 | 1 | FITTING AS [B] |
| 53 | 162-0177 | 3 | PLUG AS |
| | 3J-1907 | 1 | SEAL-O-RING |
| | 9S-8004 | 1 | PLUG |
| 57 | 3J-1907 | 1 | SEAL-O-RING |
| 58 | 4J-5140 | 1 | SEAL-O-RING |
| 59 | 4P-7581 | 1 | CLIP |
| 60 | 5F-3999 | 1 | SEAL-O-RING |
| 61 | 5H-3252 | 1 | SEAL-O-RING |
| 67 | 8T-4121 | 4 | WASHER-HARD (11X21X2.5-MM THK) |
| 68 | 8T-4139 | 6 | BOLT (M12X1.75X30-MM) |
| 69 | 8T-4195 | 4 | BOLT (M10X1.5X30-MM) |
| 70 | 8T-4223 | 6 | WASHER-HARD (13.5X25.5X3-MM THK) |
| 71 | 8T-4224 | 1 | WASHER-HARD (8.8X16X2-MM THK) |
| 72 | 8T-6869 | 2 | BOLT (M8X1.25X60-MM) |

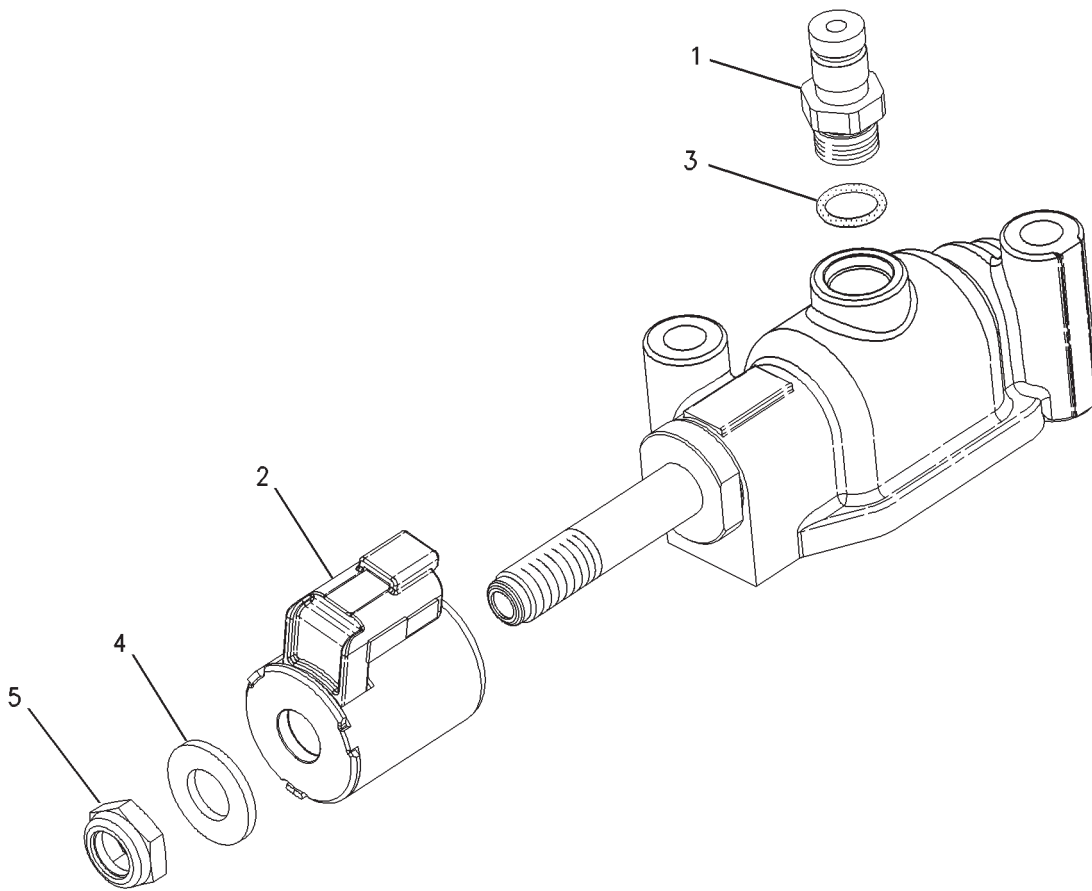
[A] PART OF 185-3955, 185-3956 AXLE AR
[B] NOT PART OF THIS GROUP

01124521
PR: t05b22n43d0204

502

MT800B SERIES TRACTORS
POWER TRAIN

216-5343 VALVE GP-MODULATING
S/N: AZG1-879; AZH1-959



00672893

MT800B SERIES TRACTORS
POWER TRAIN

503

216-5343 VALVE GP-MODULATING
S/N: AZG1-879; AZH1-959

| ITEM | NUMBER | QTY | DESCRIPTION |
|------|----------|-----|---------------------------------|
| - | 216-5343 | - | VALVE GP-MODULATING [A] |
| 1 | 6V-3965 | 1 | FITTING AS |
| 2 | 155-4426 | 1 | COIL AS |
| 3 | 3J-1907 | 1 | SEAL-O-RING |
| 4 | 164-2108 | 1 | WASHER (13.03X25.4X2.38-MM THK) |
| 5 | 167-9524 | 1 | NUT-SELF-LOCKING (1/2-28-THD) |

[A] PART OF 187-4930 POWER TAKE-OFF GP

00672893
PR: t05b22n43d0205

504

MT800B SERIES TRACTORS
FRAME AND BODY

CHASSIS AR - 179-1953

NO ILLUSTRATION

NOTIF8

MT800B SERIES TRACTORS
FRAME AND BODY

505

CHASSIS AR - 179-1953

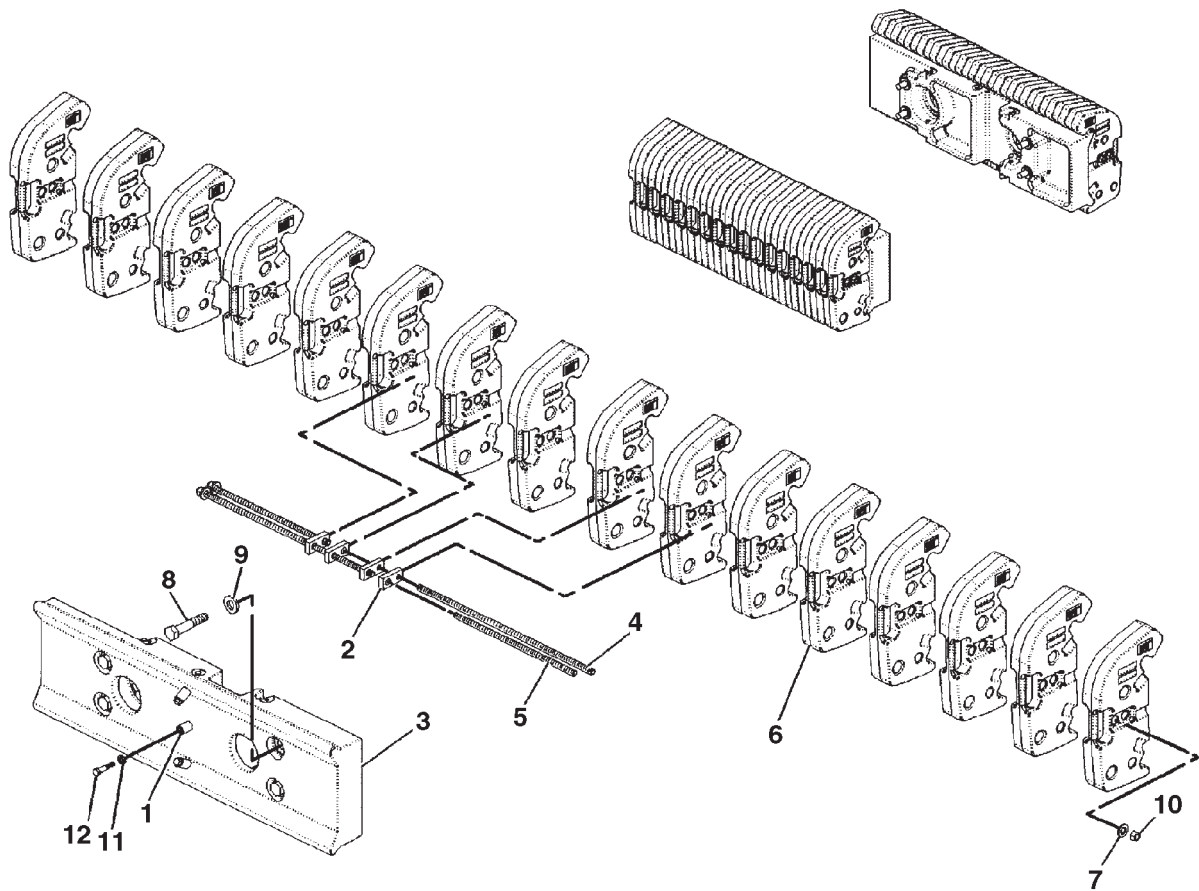
| ITEM | NUMBER | QTY | DESCRIPTION |
|------|----------|-----|---|
| - | 179-1953 | - | CHASSIS AR [A] (NOT SERVICED) |
| | 179-1954 | 1 | FRAME GP (NOT SERVICED) (SEE BREAKDOWN FOR COMPONENTS) |
| | 189-5805 | 1 | GUARD GP-POWER TRAIN (NOT SERVICED) (SEE BREAKDOWN FOR COMPONENTS) |
| | 162-4112 | 1 | MOUNTING GP-CAB (NOT SERVICED) (SEE BREAKDOWN FOR COMPONENTS) |
| | 156-1327 | 1 | STEP GP (NOT SERVICED) (SEE BREAKDOWN FOR COMPONENTS) |
| | 190-5441 | 1 | SUPPORT GP-HOOD (NOT SERVICED) (SEE BREAKDOWN FOR COMPONENTS) |
| | 179-2182 | 1 | TANK & MTG GP-FUEL (NOT SERVICED) (SEE BREAKDOWN FOR COMPONENTS) |

[A] PART OF:
179-1952; 501810D1;
501811D1 BASE COMMON AR

NOTIF8
PR: t05b22n43d0206

MT800B SERIES TRACTORS
FRAME AND BODY

COUNTERWEIGHT GP - 185-8688
ROLLER FRAME 1393KG (3071 LB)



MT800B SERIES TRACTORS
FRAME AND BODY

507

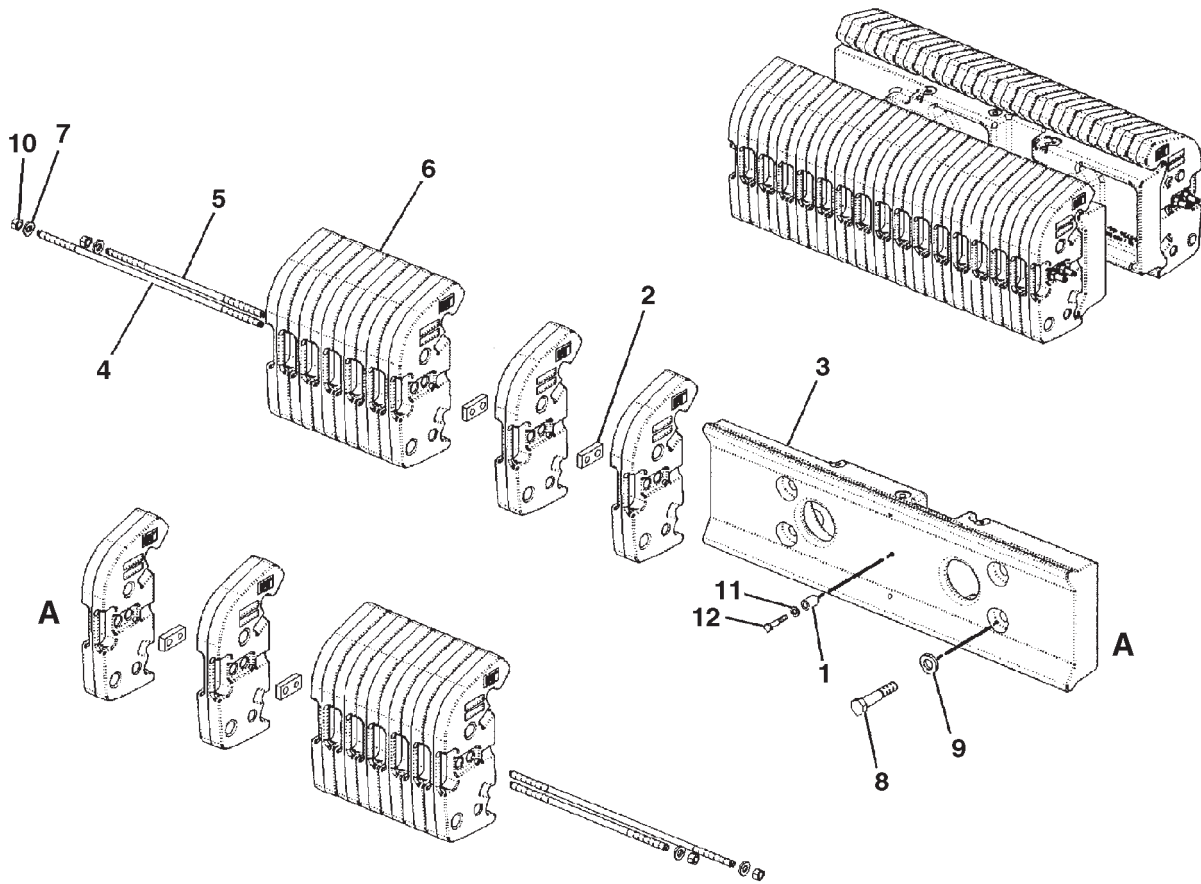
COUNTERWEIGHT GP - 185-8688
ROLLER FRAME 1393KG (3071 LB)

| ITEM | NUMBER | QTY | DESCRIPTION |
|------|-----------|-----|---------------------------------|
| - | 185-8688 | - | COUNTERWEIGHT GP (NOT SERVICED) |
| 1 | CH8V-9708 | 6 | SPACER (14.3X25.4X35) |
| 2 | 400350X1 | 8 | NUT-RETAINER |
| 3 | 166-7774 | 2 | SUPPORT |
| 4 | 166-7775 | 4 | ROD |
| 5 | 166-7776 | 4 | ROD |
| 6 | 171-7234 | 32 | WEIGHT |
| 7 | CH7X-0515 | 8 | WASHER-HARD (17X35X5) |
| 8 | 400213X1 | 8 | BOLT (M24X3X120MM) |
| 9 | CH8T-1482 | 8 | WASHER-HARD (26X50X8) |
| 10 | CH8T-4132 | 8 | NUT (M16X2) |
| 11 | 400357X1 | 6 | WASHER-HARD (M12X25.5X3) |
| 12 | 400063X1 | 6 | BOLT (M12X1.75X60MM) |
| 13 | 400091X1 | 6 | PLUG PROTECTIVE (NOT SHOWN) |

0886635A
PR: t05b22n43d0207

MT800B SERIES TRACTORS
FRAME AND BODY

COUNTERWEIGHT GP - 185-8690
ROLLER FRAME 2786KG (6142 LB)



MT800B SERIES TRACTORS
FRAME AND BODY

509

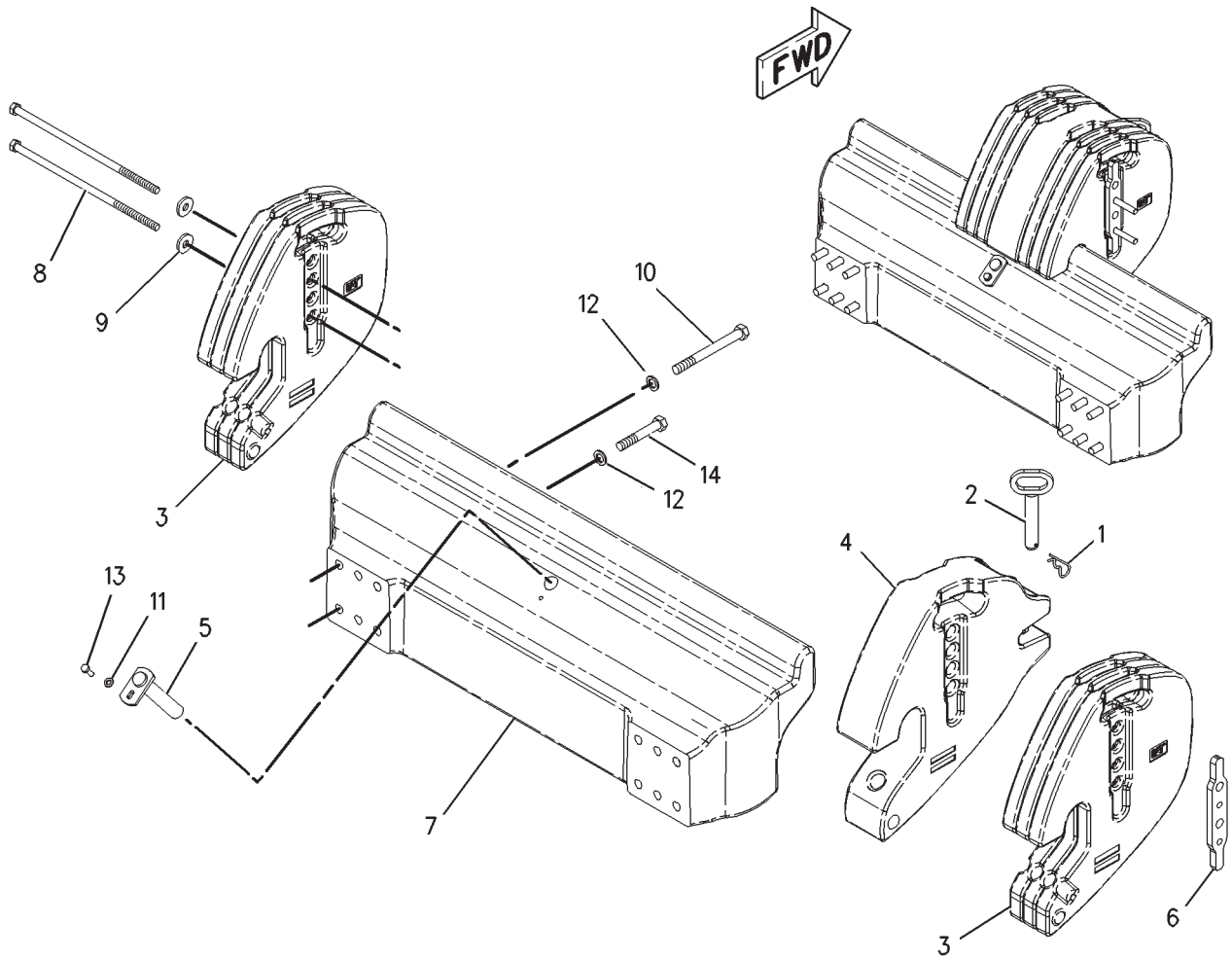
COUNTERWEIGHT GP - 185-8690
ROLLER FRAME 2786KG (6142 LB)

| ITEM | NUMBER | QTY | DESCRIPTION |
|------|-----------|-----|---------------------------------|
| - | 185-8690 | - | COUNTERWEIGHT GP (NOT SERVICED) |
| 1 | CH8V-9708 | 12 | SPACER (14.3X25.4X35) |
| 2 | 400350X1 | 16 | NUT-RETAINER |
| 3 | 166-7774 | 4 | SUPPORT |
| 4 | 166-7775 | 8 | ROD |
| 5 | 166-7776 | 8 | ROD |
| 6 | 171-7234 | 64 | WEIGHT |
| 7 | CH7X-0515 | 16 | WASHER-HARD (17X35X5) |
| 8 | 400213X1 | 16 | BOLT (M24X3X) |
| 9 | CH8T-1482 | 16 | WASHER-HARD (26X50X8) |
| 10 | CH8T-4132 | 16 | NUT (M16X2) |
| 11 | 400357X1 | 12 | WASHER-HARD (M12X25.5X3) |
| 12 | 400063X1 | 12 | BOLT (M12X1.75X60MM) |

0887109A
PR: t05b22n43d0208

MT800B SERIES TRACTORS
FRAME AND BODY

COUNTERWEIGHT GP-FRONT - 502116D1
6 WEIGHTS (963KG/2063LB)
EAME ONLY



MT800B SERIES TRACTORS
FRAME AND BODY

511

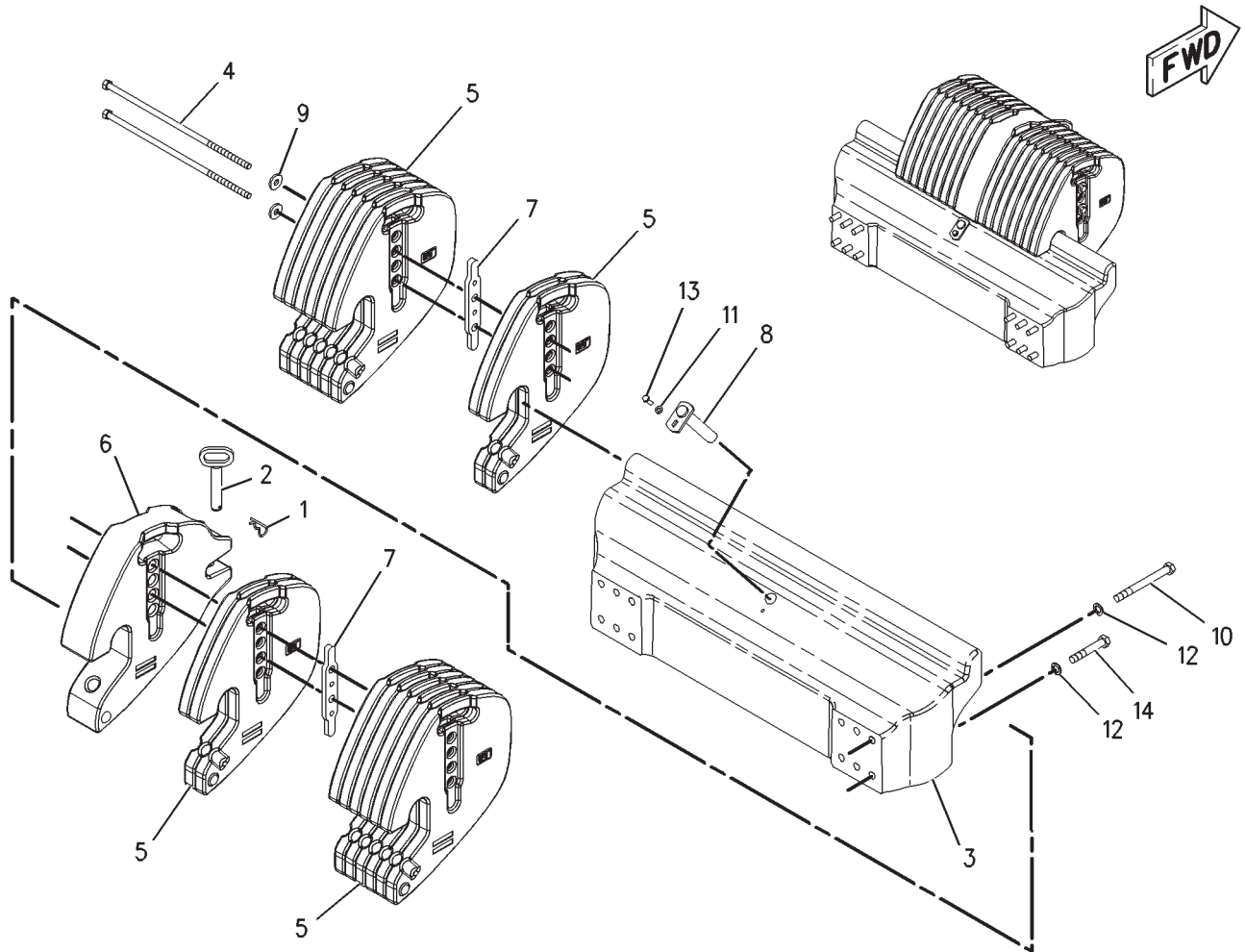
COUNTERWEIGHT GP-FRONT - 502116D1
6WEIGHTS (963KG/2063LB)
EAME ONLY

| ITEM | NUMBER | QTY | DESCRIPTION |
|------|------------|-----|---------------------------|
| - | 502116D1 | - | COUNTERWEIGHT GP-FRONT |
| 1 | CH5P-8837 | 1 | LOCK PIN |
| 2 | CH137-9775 | 1 | PIN AS |
| 3 | 202-9220 | 6 | WEIGHT |
| 4 | 502113D1 | 1 | WEIGHT (CENTER) |
| 5 | CH202-9222 | 1 | PIN AS |
| 6 | 202-9223 | 1 | PLATE |
| 7 | 184-5356 | 1 | BRACKET |
| 8 | 400268X1 | 2 | BOLT (M16X2X440MM) |
| 9 | CH7X-0583 | 2 | WASHER-HARD (17X45X6) |
| 10 | 400194X1 | 6 | BOLT (M20X2.5X180MM) |
| 11 | 400375X1 | 1 | WASHER-HARD (M12X25.5X3) |
| 12 | 400080X1 | 12 | WASHER-PLATED (22X35X3.5) |
| 13 | 400041X1 | 1 | BOLT (M12X1.75X30MM) |
| 14 | 400236X1 | 6 | BOLT (M20X2.5X120MM) |

00776682
PR: t05b22n43d0209

MT800B SERIES TRACTORS
FRAME AND BODY

COUNTERWEIGHT GP-FRONT - 502117D1
16 WEIGHTS (1403KG/3091LB)
EAME ONLY



MT800B SERIES TRACTORS
FRAME AND BODY

513

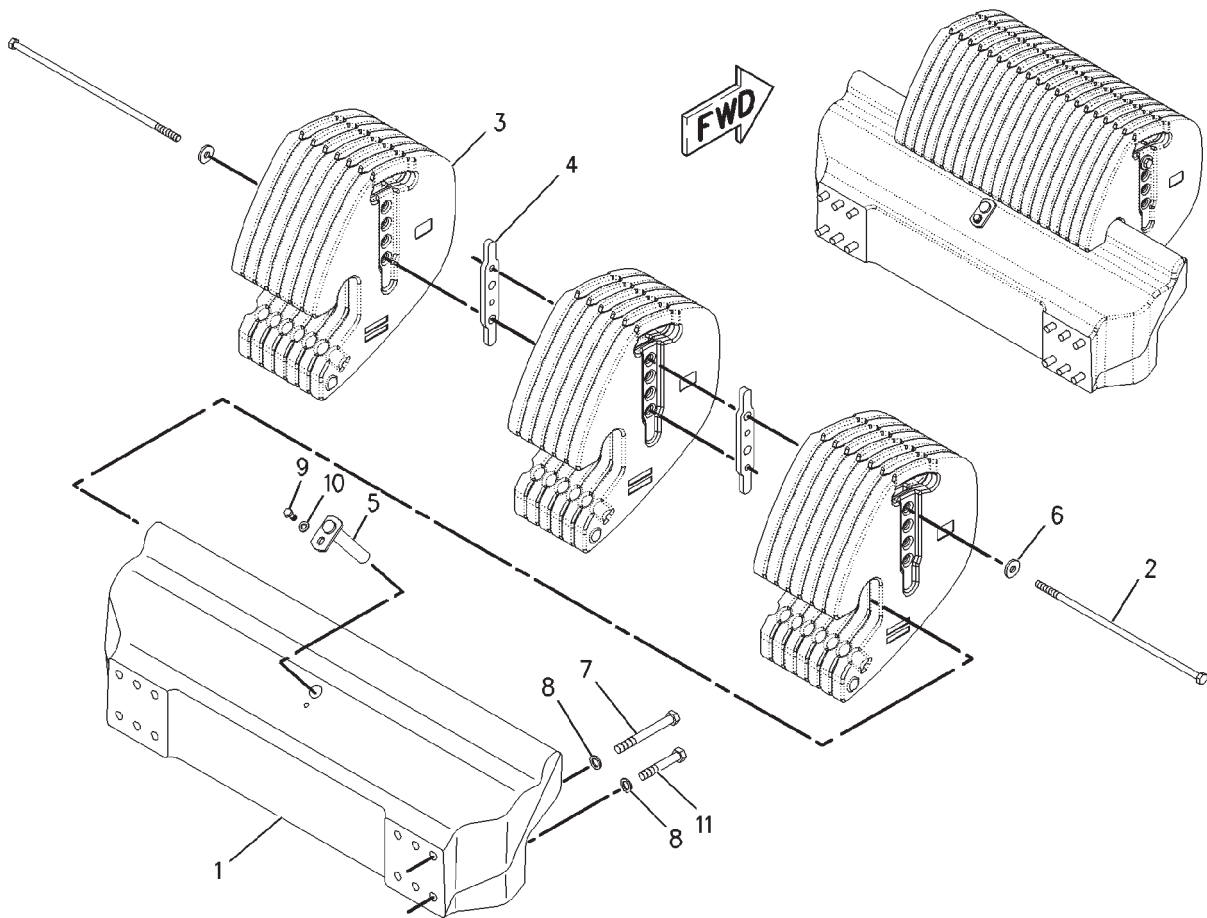
COUNTERWEIGHT GP-FRONT - 502117D1
16 WEIGHTS (1403KG/3091LB)
EAME ONLY

| ITEM | NUMBER | QTY | DESCRIPTION |
|------|------------|-----|---------------------------|
| - | 502117D1 | - | COUNTERWEIGHT GP-FRONT |
| 1 | CH5P-8837 | 1 | LOCK PIN |
| 2 | CH137-9775 | 1 | PIN AS |
| 3 | 184-5356 | 1 | BRACKET |
| 4 | 400267X1 | 2 | BOLT (M16X2X550MM) |
| 5 | 202-9220 | 16 | WEIGHT |
| 6 | 502113D1 | 1 | WEIGHT (CENTER) |
| 7 | 202-9223 | 2 | PLATE |
| 8 | CH202-9222 | 1 | PIN AS |
| 9 | CH7X-0583 | 2 | WASHER-HARD (17X45X6) |
| 10 | 400194X1 | 6 | BOLT (M20X2.5X180MM) |
| 11 | 400375X1 | 1 | WASHER-HARD (M12X25.5X3) |
| 12 | 400080X1 | 12 | WASHER-PLATED (22X35X3.5) |
| 13 | 400041X1 | 1 | BOLT (M12X1.75X30MM) |
| 14 | 400236X1 | 6 | BOLT (M20X2.5X120MM) |

00875121
PR: t05b22n43d0210

MT800B SERIES TRACTORS
FRAME AND BODY

COUNTERWEIGHT GP-FRONT - 184-5329
20 WEIGHTS (1440KG/3175LB)



MT800B SERIES TRACTORS
FRAME AND BODY

515

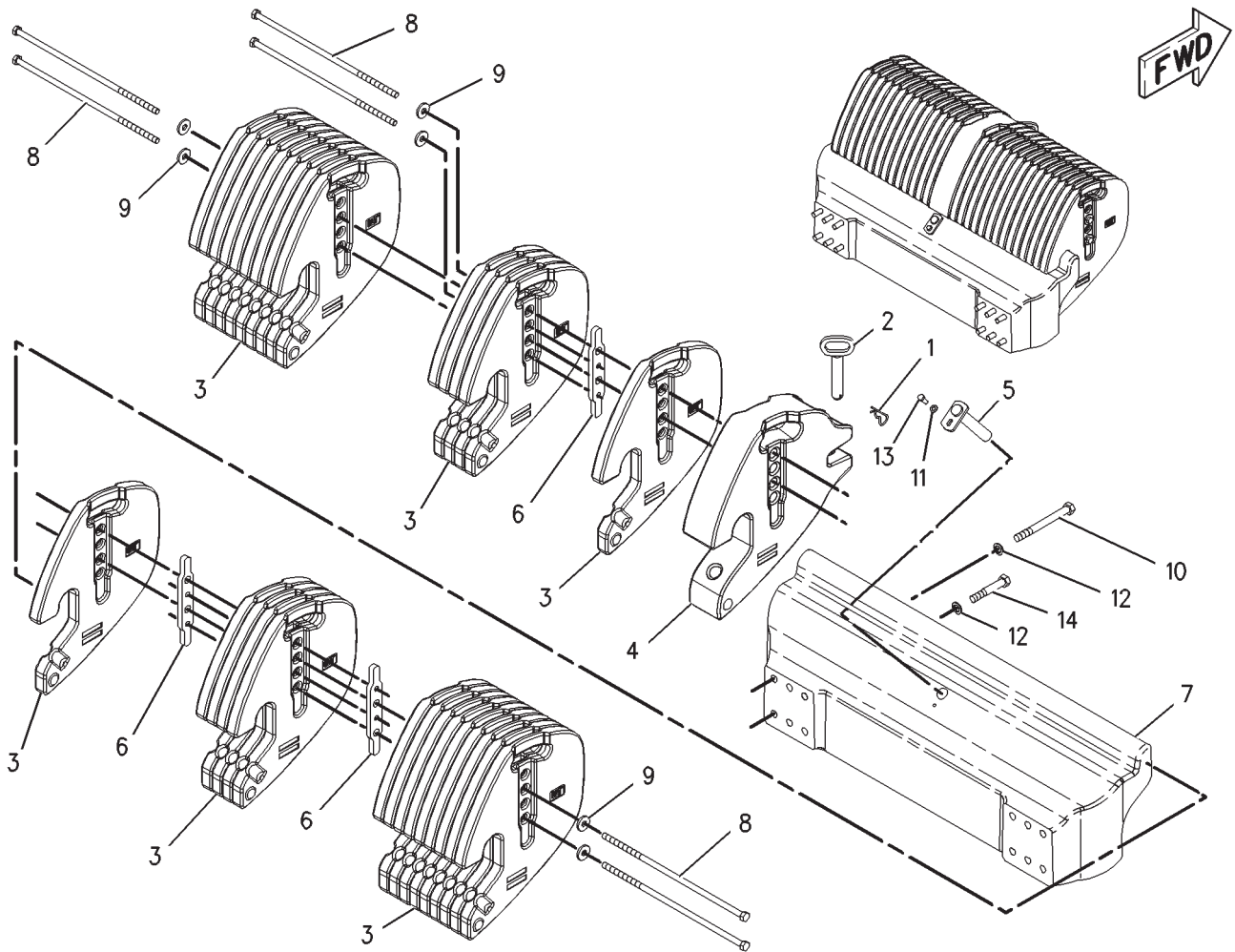
COUNTERWEIGHT GP-FRONT - 184-5329
20 WEIGHTS (1440KG/3175LB)

| ITEM | NUMBER | QTY | DESCRIPTION |
|------|------------|-----|--|
| - | 184-5329 | - | COUNTERWEIGHT GP-FRONT (NOT SERVICED) |
| 1 | 184-5356 | 1 | BRACKET |
| 2 | 400267X1 | 2 | BOLT (M16X2X550MM) |
| 3 | 202-9220 | 20 | WEIGHT |
| 4 | 202-9223 | 2 | PLATE |
| 5 | CH202-9222 | 1 | PIN ASM |
| 6 | CH7X-0583 | 2 | WASHER-HARD (17X45X6) |
| 7 | 400194X1 | 6 | BOLT (M20X2.5X180MM) |
| 8 | 400080X1 | 12 | WASHER-PLATED (22X35X3.5) |
| 9 | 400041X1 | 1 | BOLT (M12X1.75X30MM) |
| 10 | 400357X1 | 1 | WASHER-HARD (M12X25.5X3) |
| 11 | 400236X1 | 6 | BOLT (M20X2.5X120MM) |

00887128
PR: t05b22n43d0211

MT800B SERIES TRACTORS
FRAME AND BODY

COUNTERWEIGHT GP-FRONT - 502118D1
28 WEIGHTS (1963KG/4328LB)
EAME ONLY



MT800B SERIES TRACTORS
FRAME AND BODY

517

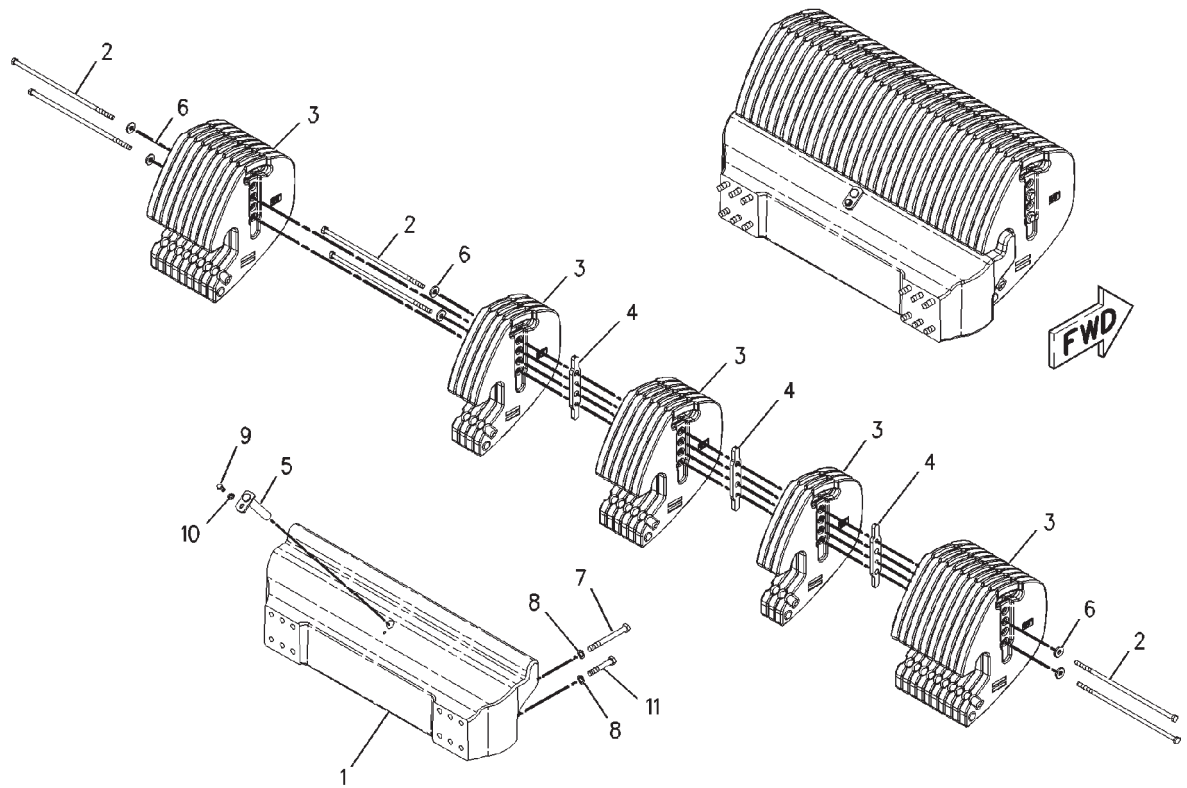
COUNTERWEIGHT GP-FRONT - 502118D1
28 WEIGHTS (1963KG/4328LB)
EAME ONLY

| ITEM | NUMBER | QTY | DESCRIPTION |
|------|------------|-----|---------------------------|
| - | 502118D1 | - | COUNTERWEIGHT GP-FRONT |
| 1 | CH5P-8837 | 1 | LOCK PIN |
| 2 | CH137-9775 | 1 | PIN AS |
| 3 | 202-9220 | 28 | WEIGHT |
| 4 | 502130D1 | 1 | WEIGHT (CENTER) |
| 5 | CH202-9222 | 1 | PIN AS |
| 6 | 202-9223 | 3 | PLATE |
| 7 | 184-5356 | 1 | BRACKET |
| 8 | 400267X1 | 6 | BOLT (M16X2X550MM) |
| 9 | CH7X-0583 | 6 | WASHER-HARD (17X45X6) |
| 10 | 400194X1 | 6 | BOLT (M20X2.5X180MM) |
| 11 | 400357X1 | 1 | WASHER-HARD (M12X25.5X3) |
| 12 | 400080X1 | 12 | WASHER-PLATED (22X35X3.5) |
| 13 | 400041X1 | 1 | BOLT (M12X1.75X30MM) |
| 14 | 400236X1 | 6 | BOLT (M20X2.5X120MM) |

00779332
PR: t05b22n43d0212

MT800B SERIES TRACTORS
FRAME AND BODY

COUNTERWEIGHT GP-FRONT - 184-5357
32 WEIGHTS (2000KG/4409LB)



MT800B SERIES TRACTORS
FRAME AND BODY

519

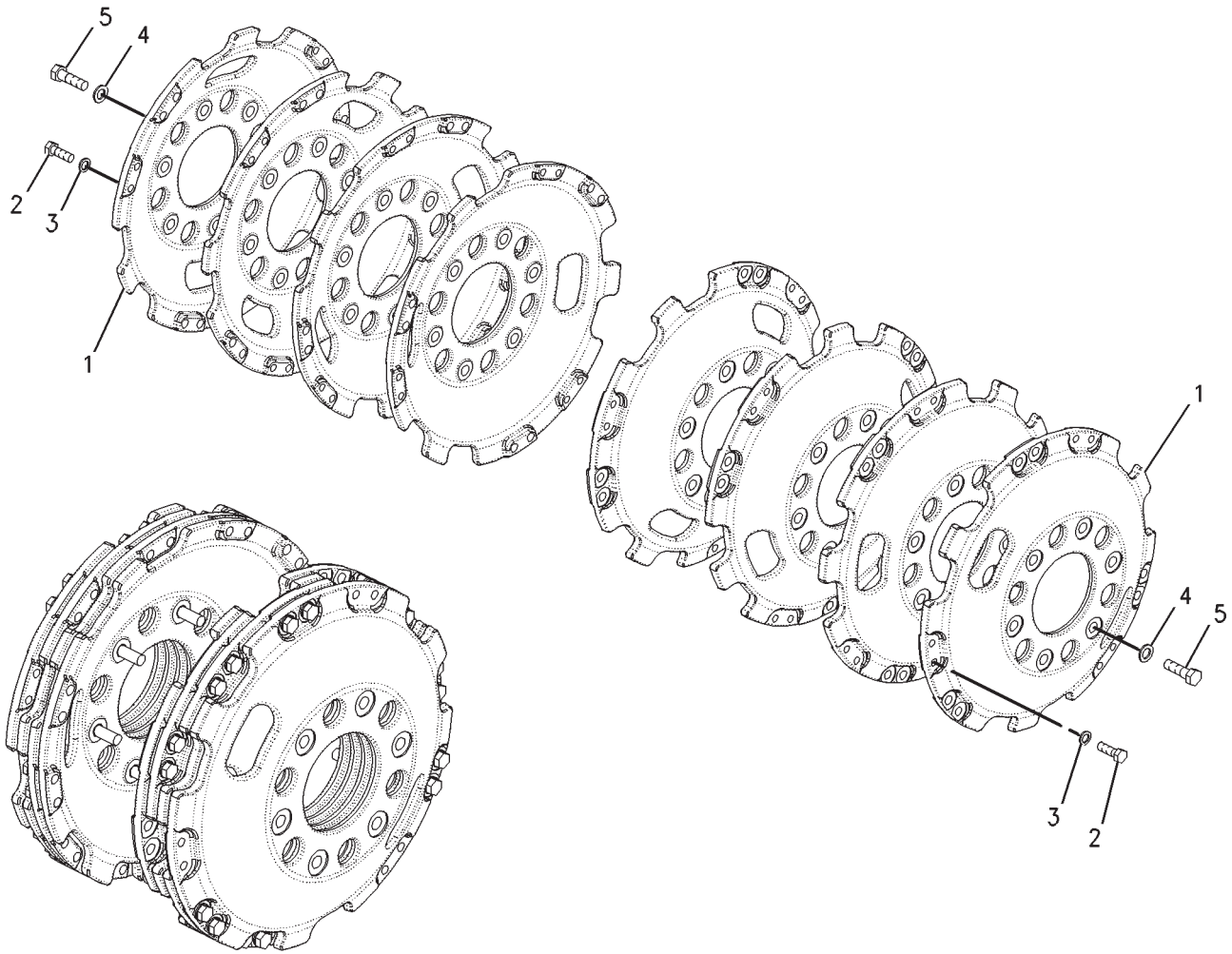
COUNTERWEIGHT GP-FRONT - 184-5357
32 WEIGHTS (2000KG/4409LB)

| ITEM | NUMBER | QTY | DESCRIPTION |
|------|------------|-----|---|
| - | 502784D1 | - | COUNTERWEIGHT GP-FRONT (FIELD INSTALLED) |
| - | 502916D1 | - | COUNTERWEIGHT GP-FRONT (FACT) (NOT SERVICED) |
| - | 184-5357 | - | COUNTERWEIGHT GP-FRT [A] (NOT SERVICED, ORDER FIELD INSTALLED) |
| 1 | 184-5356 | 1 | BRACKET |
| 2 | 400267X1 | 6 | BOLT (M16X2X550MM) |
| 3 | 202-9220 | 32 | WEIGHT |
| 4 | 202-9223 | 3 | PLATE |
| 5 | CH202-9222 | 1 | PIN ASM |
| 6 | CH7X-0583 | 6 | WASHER-HARD (17X45X6) |
| 7 | 400194X1 | 6 | BOLT (M20X2.5X180MM) |
| 8 | 400080X1 | 12 | WASHER-PLATED (22X35X3.5) |
| 9 | 400041X1 | 1 | BOLT (M12X1.75X30MM) |
| 10 | 400357X1 | 1 | WASHER-HARD (M12X25.5X3) |
| 11 | 400236X1 | 6 | BOLT (M20X2.5X120MM) |

[A] PART OF 502784D1; 502916D1
COUNTERWEIGHT GP

00835430
PR: t05b22n43d0213

COUNTERWEIGHT GP-IDLER - 177-4588
909 KG (2000 LB)



MT800B SERIES TRACTORS
FRAME AND BODY

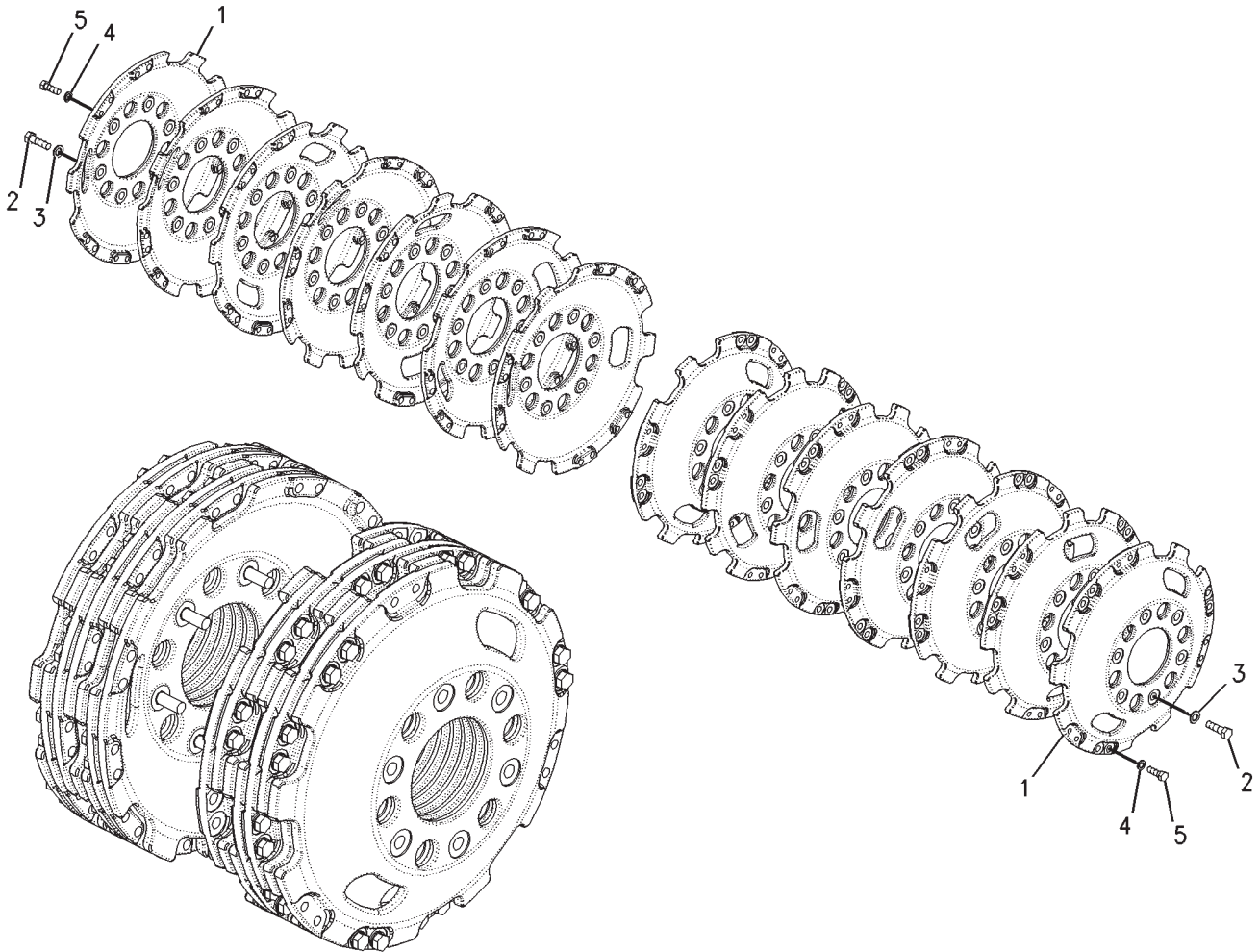
521

COUNTERWEIGHT GP-IDLER - 177-4588
909 KG (2000 LB)

| ITEM | NUMBER | QTY | DESCRIPTION |
|------|----------|-----|---------------------------------------|
| - | 177-4588 | - | COUNTERWEIGHT GP-IDLER (NOT SERVICED) |
| 1 | 195-9633 | 16 | COUNTERWEIGHT |
| 2 | 400031X1 | 72 | BOLT (M20X2.5X60MM) |
| 3 | 400080X1 | 72 | WASHER-PLATED (22X35X3.5) |
| 4 | 400081X1 | 24 | WASHER-HARD (26X44X4) |
| 5 | 400067X1 | 24 | BOLT (M24X3X80MM) |
| 6 | 400090X1 | 24 | PLUG |

00814137
PR: t05b22n43d0214

COUNTERWEIGHT GP-IDLER - 178-8047
1575 KG (3500 LB)



MT800B SERIES TRACTORS
FRAME AND BODY

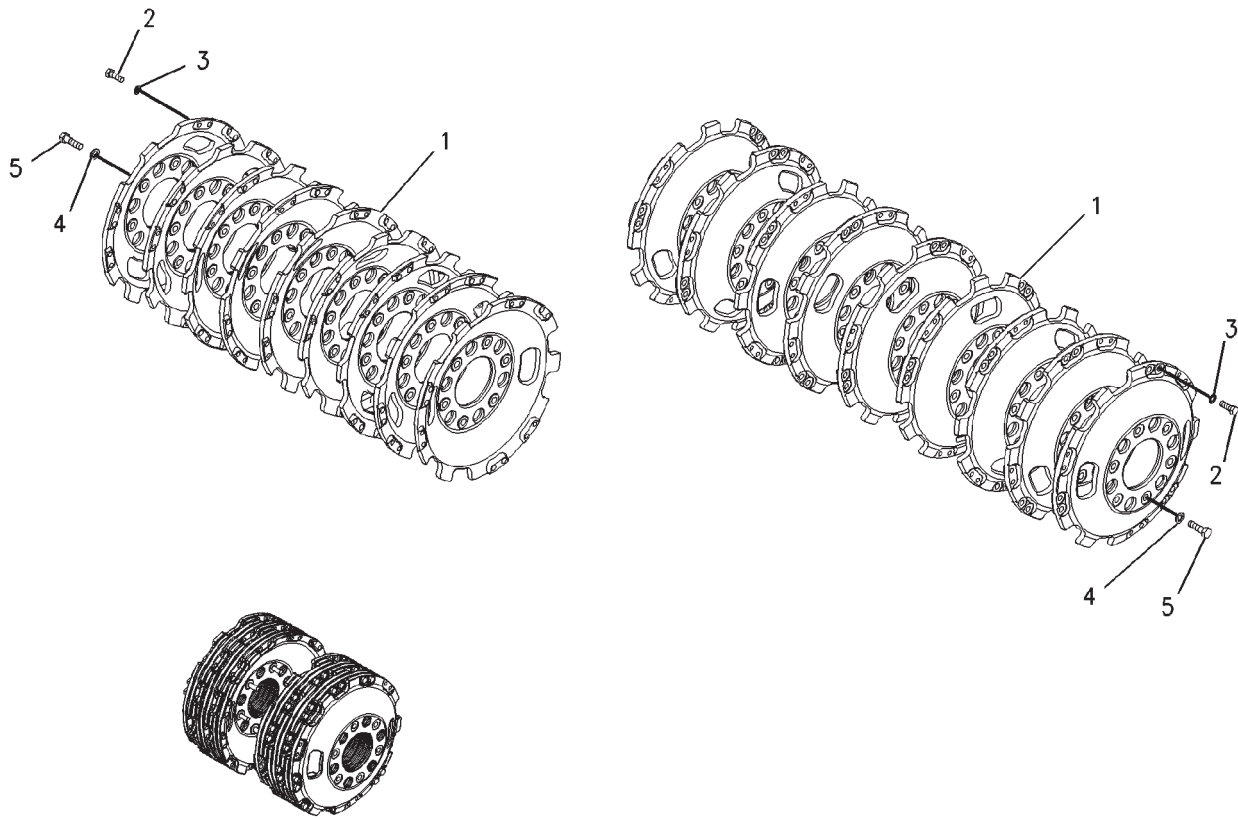
523

COUNTERWEIGHT GP-IDLER - 178-8047
1575 KG (3500 LB)

| ITEM | NUMBER | QTY | DESCRIPTION |
|------|----------|-----|---------------------------------------|
| - | 178-8047 | - | COUNTERWEIGHT GP-IDLER (NOT SERVICED) |
| 1 | 195-9633 | 28 | COUNTERWEIGHT |
| 2 | 400031X1 | 144 | BOLT (M20X2.5X60MM) |
| 3 | 400080X1 | 144 | WASHER-PLATED (22X35X3.5) |
| 4 | 400081X1 | 24 | WASHER-HARD (26X44X4) |
| 5 | 400067X1 | 24 | BOLT (M24X3X80MM) |
| 6 | 400090X1 | 24 | PLUG, PLASTIC (M20) (NOT SHOWN) |

00814444
PR: t05b22n43d0215

COUNTERWEIGHT GP-IDLER - 185-8720
2043 KG (4500 LB)



MT800B SERIES TRACTORS
FRAME AND BODY

525

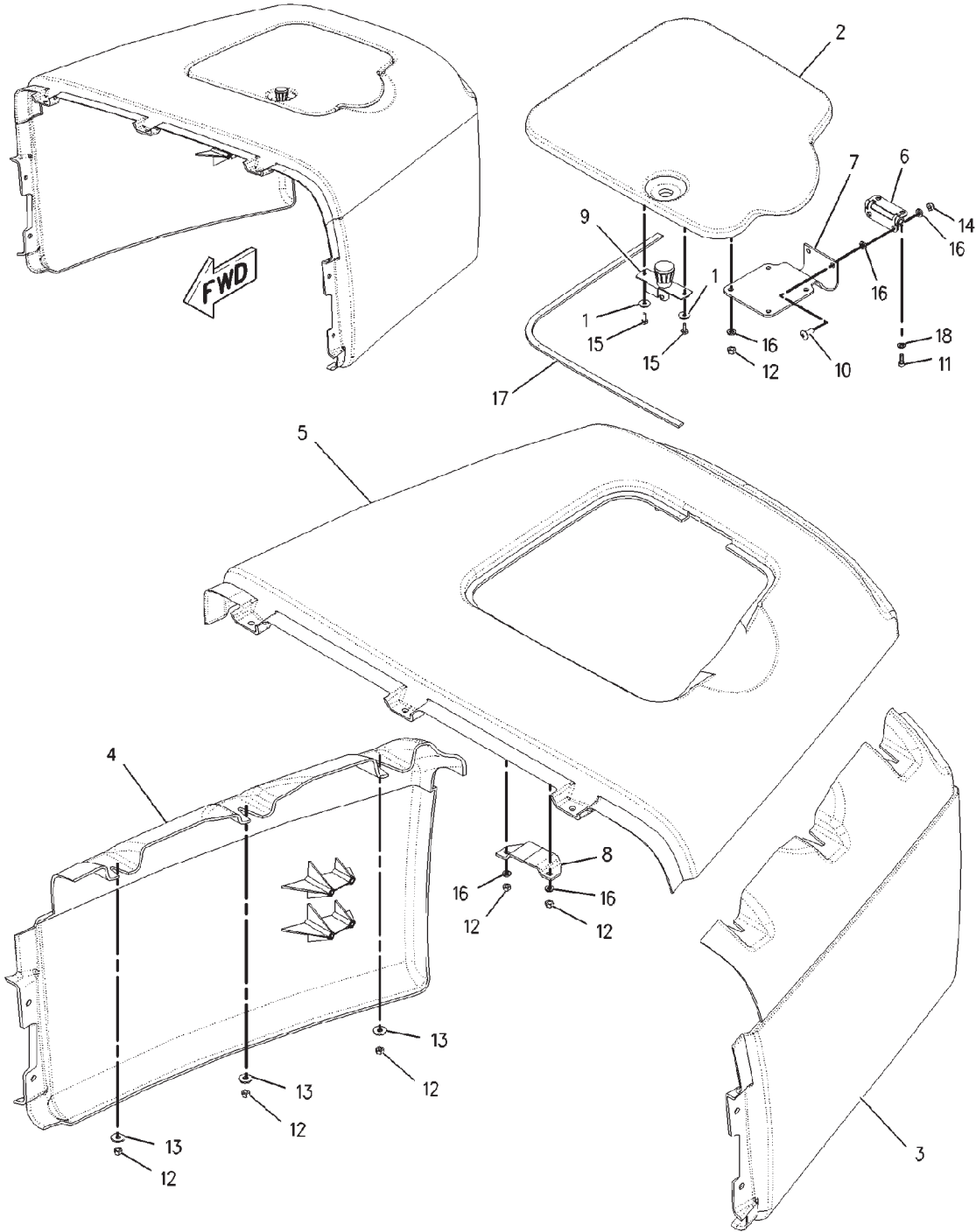
COUNTERWEIGHT GP-IDLER - 185-8720
2043 KG (4500 LB)

| ITEM | NUMBER | QTY | DESCRIPTION |
|------|----------|-----|---------------------------------------|
| - | 185-8720 | - | COUNTERWEIGHT GP-IDLER (NOT SERVICED) |
| 1 | 195-9633 | 36 | COUNTERWEIGHT |
| 2 | 400031X1 | 192 | BOLT (M20X2.5X60MM) |
| 3 | 400080X1 | 192 | WASHER-PLATED (22X35X3.5) |
| 4 | 400081X1 | 24 | WASHER-HARD (26X44X4) |
| 5 | 400067X1 | 24 | BOLT (M24X3X80MM) |
| 6 | 400090X1 | - | PLUG, PLASTIC (M20) (NOT SHOWN) |

00835573
PR: t05b22n43d0216

MT800B SERIES TRACTORS
FRAME AND BODY

COVER GP-ACCESS - 190-5943



00891537

MT800B SERIES TRACTORS
FRAME AND BODY

527

COVER GP-ACCESS - 190-5943

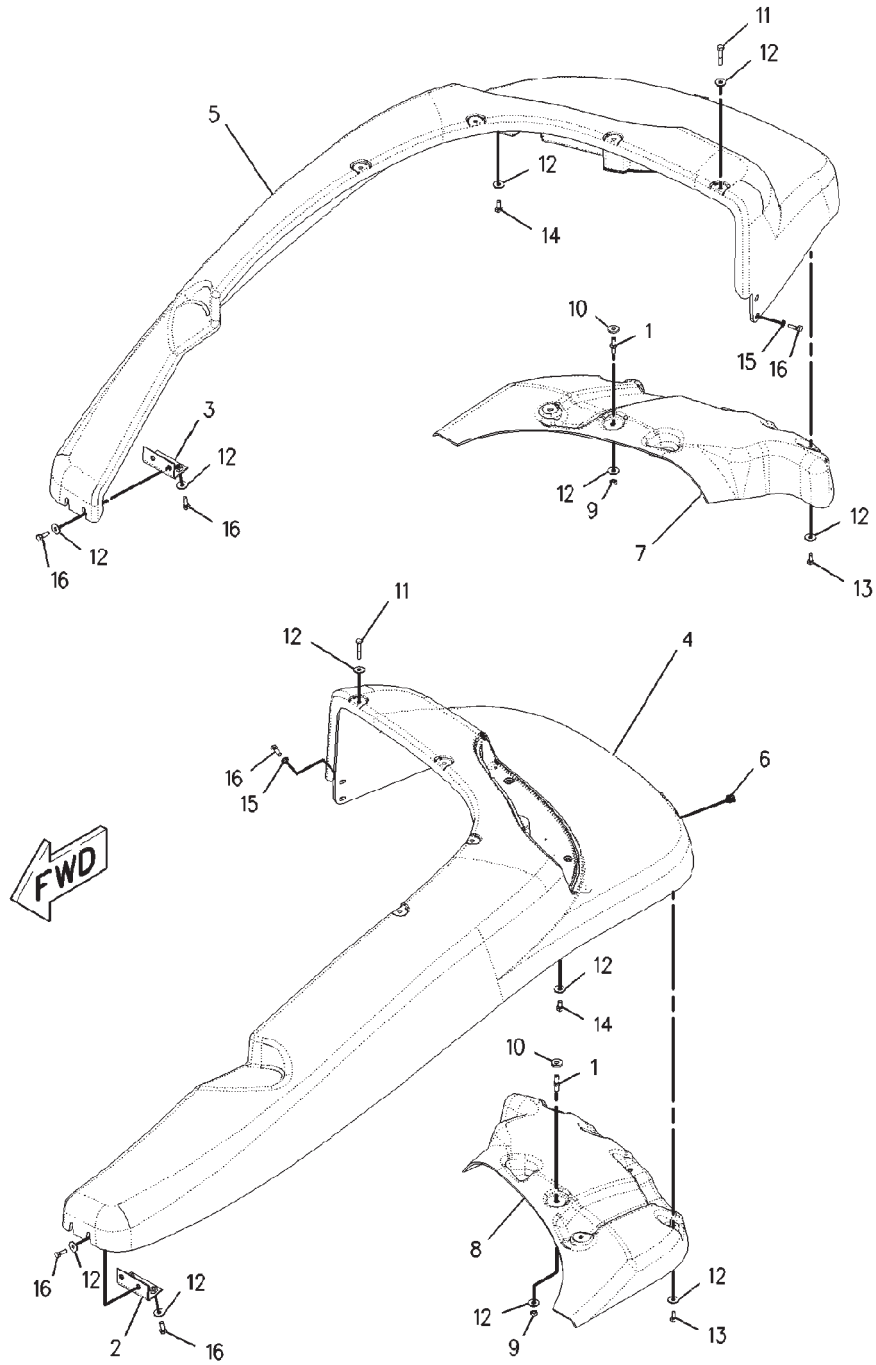
| ITEM | NUMBER | QTY | DESCRIPTION |
|------|-----------|-----|--------------------------------|
| - | 190-5943 | - | COVER GP-ACCESS [A] |
| 1 | 400076X1 | 2 | WASHER (5X16X1.2) |
| 2 | 190-5942 | 1 | LID ASM |
| 3 | 196-6944 | 1 | PANEL ASM (LH) |
| 4 | 196-6946 | 1 | PANEL ASM (RH) |
| 5 | 196-6954 | 1 | PANEL ASM (TOP) |
| 6 | 202-2356 | 1 | HINGE |
| 7 | 202-2357 | 1 | BRACKET |
| 8 | 208-9495 | 1 | BRACKET |
| 9 | 208-9496 | 1 | LATCH ASM |
| 10 | 210-4416 | 2 | SCREW (M6) |
| 11 | 400138X1 | 2 | BOLT-SOCKET HEAD (M6X1X10.0MM) |
| 12 | 400300X1 | 12 | NUT (M6X1) |
| 13 | CH5P-4115 | 6 | WASHER-HARD (7.2X19X2) |
| 14 | CH6V-7743 | 2 | LOCKNUT (M6X1) |
| 15 | CH8T-0285 | 2 | SCREW-MACHINE (M4X0.7X12MM) |
| 16 | 400310X1 | 10 | WASHER (6.6X12X2) |
| 17 | CH5P-3602 | | SEAL (6 DM) |
| 18 | CH8T-0334 | 2 | WASHER-HARD (6.6X12.5X1.6) |

[A] PART OF 161-9173; 502353D1;
502647D1 HOOD & GUARD GP

00891537
PR: t05b22n43d0217

MT800B SERIES TRACTORS
FRAME AND BODY

FENDER GP - 161-9174
ROW & SPECIAL



MT800B SERIES TRACTORS
FRAME AND BODY

529

FENDER GP - 161-9174
ROW & SPECIAL

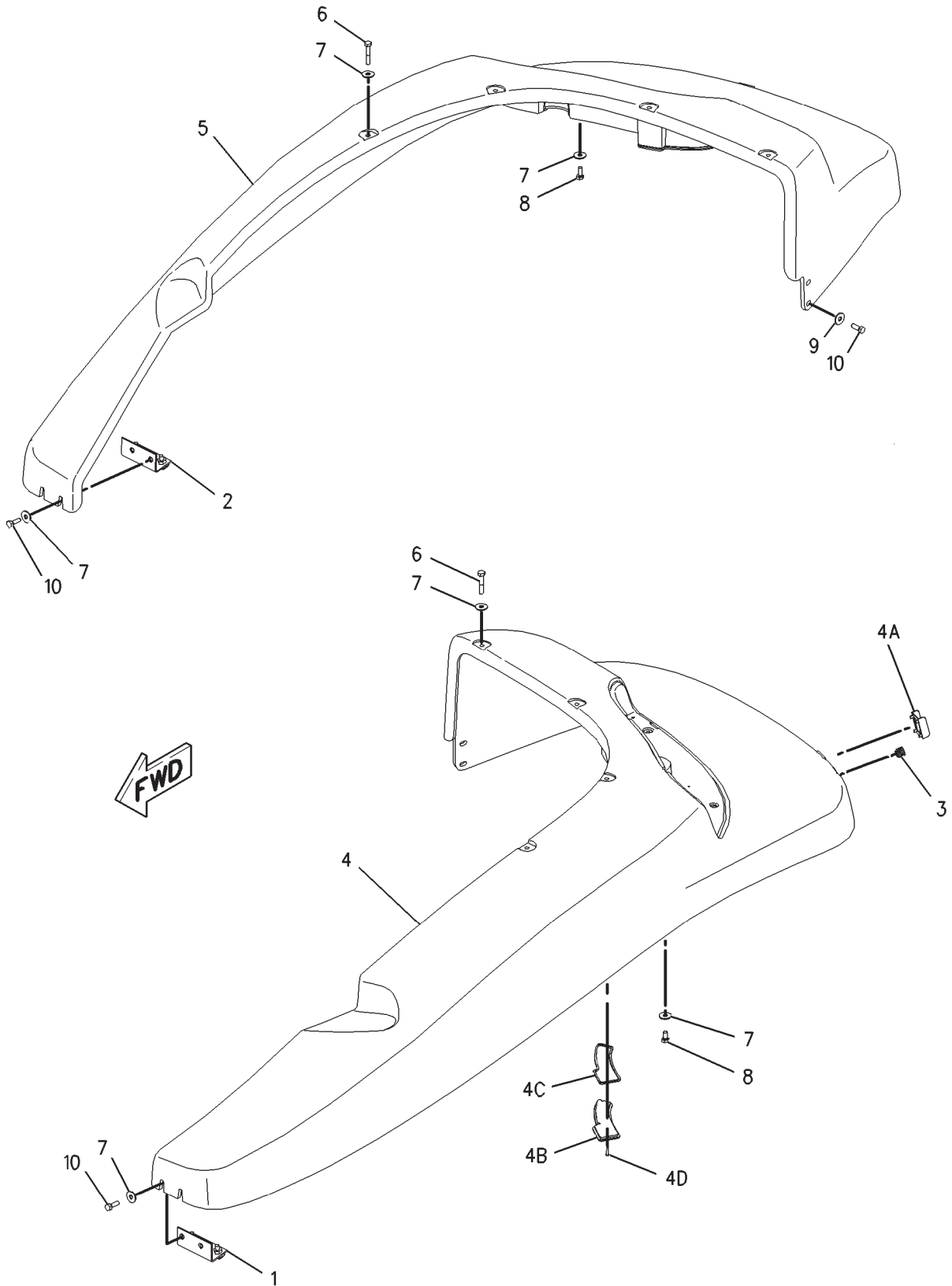
| ITEM | NUMBER | QTY | DESCRIPTION |
|------|------------|-----|------------------------------|
| - | 161-9174 | - | FENDER GP [A] (NOT SERVICED) |
| 1 | 400257X1 | 4 | STUDBOLT (M8X1.25X20) |
| 2 | 199-7855 | 1 | BRACKET ASM |
| 3 | 199-7859 | 1 | BRACKET ASM |
| 4 | 211-0174 | 1 | FENDER ASM (LH) |
| | 213-4902 | 1 | GUARD (SWITCH) |
| | 176-0997 | 1 | COVER-LH |
| | 176-0998 | 1 | GASKET-LH |
| | 176-0999 | 3 | RIVET |
| 5 | 211-0178 | 1 | FENDER ASM (RH) |
| | 213-4902 | 1 | GUARD (SWITCH) |
| | 176-0999 | 3 | RIVET |
| | 176-1001 | 1 | COVER-RH |
| | 176-1002 | 1 | GASKET-RH |
| 6 | CH211-4423 | 1 | PLUG |
| 7 | 212-9998 | 1 | GUARD |
| 8 | 212-9996 | 1 | GUARD |
| 9 | 400340X1 | 4 | NUT (M8X1.25) |
| 10 | CH7X-0613 | 4 | WASHER-HARD (8.8X25.5X5) |
| 11 | 400024X1 | 8 | BOLT (M8X1.25X45MM) |
| 12 | CH8C-0572 | 32 | WASHER (8.8X25.5X2) |
| 13 | 400053X1 | 8 | BOLT (M8X1.25X20MM) |
| 14 | 400227X1 | 4 | BOLT (M8X1.25X16MM) |
| 15 | CH8C-0572 | 4 | WASHER (8.8X25.5X2) |
| 16 | 400341X1 | 12 | BOLT (M8X1.25X25MM) |

[A] PART OF:
179-1952; 501810D1 BASE COMMON AR

00857778
PR: t05b22n43d0218

MT800B SERIES TRACTORS
FRAME AND BODY

FENDER GP - 161-9177
EAME ONLY



MT800B SERIES TRACTORS
FRAME AND BODY

531

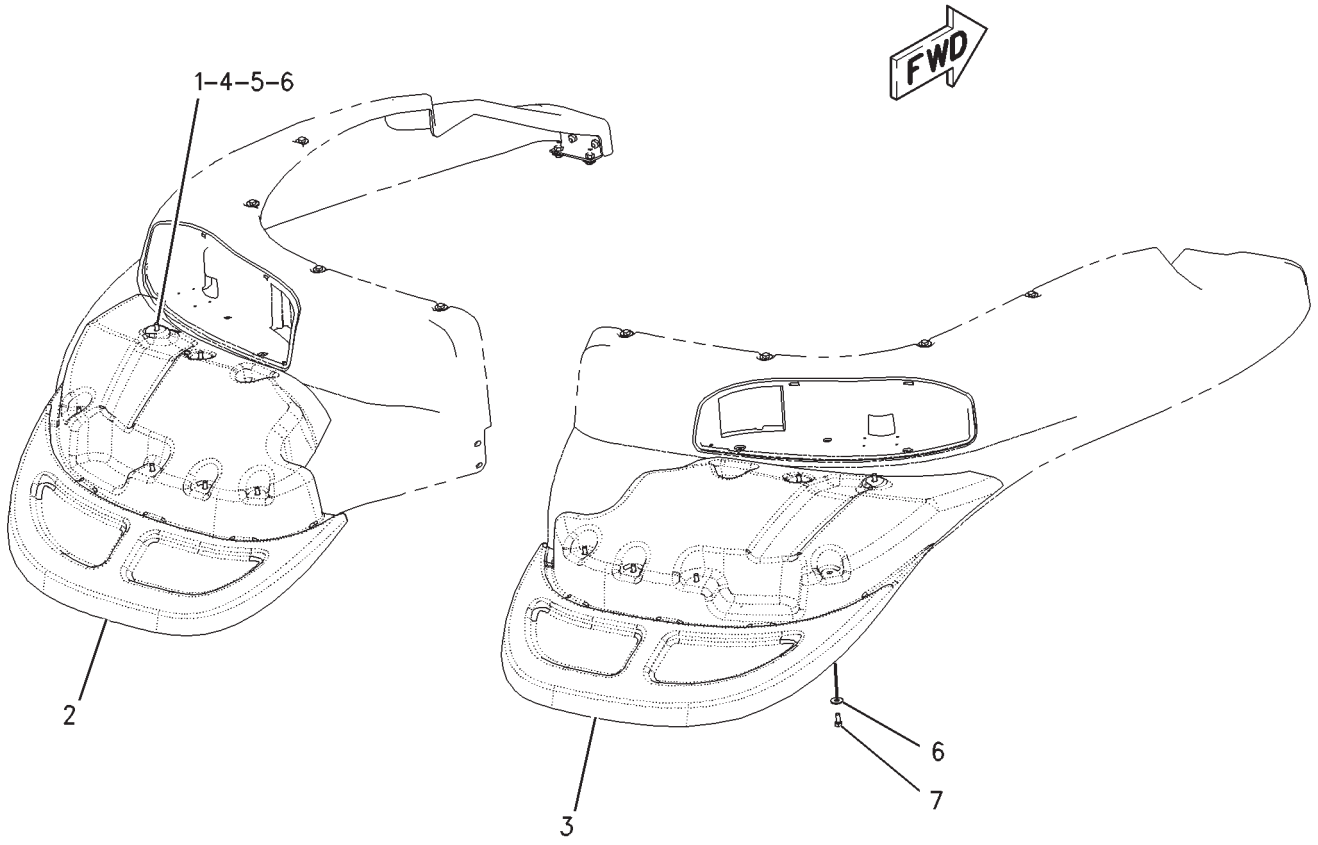
FENDER GP - 161-9177
EAME ONLY

| ITEM | NUMBER | QTY | DESCRIPTION |
|------|------------|-----|------------------------------|
| - | 161-9177 | - | FENDER GP [A] (NOT SERVICED) |
| 1 | 199-7855 | 1 | BRACKET AS |
| 2 | 199-7859 | 1 | BRACKET AS |
| | CH8T-3612 | 4 | NUT-WELD (M8X1.25THD) |
| 3 | CH211-4423 | 1 | PLUG |
| 4 | 211-0174 | 1 | FENDER AS (LH) |
| 4A | 213-4902 | 1 | GUARD |
| 4B | 176-0997 | 1 | COVER-LH |
| 4C | 176-0998 | 1 | GASKET-LH |
| 4D | 176-0999 | 3 | RIVET |
| 5 | 211-0178 | 1 | FENDER AS (RH) |
| | 213-4902 | 1 | GUARD |
| | 176-0999 | 3 | RIVET |
| | 176-1001 | 1 | COVER-RH |
| | 176-1002 | 1 | ASKET-RH |
| 6 | 400024X1 | 8 | BOLT (M8X1.25X45MM) |
| 7 | CH8C-0572 | 24 | WASHER (8.8X25.5X2MM THK) |
| 8 | 400227X1 | 4 | BOLT (M8X1.25X16MM) |
| 9 | CH8C-0572 | 4 | WASHER (8.8X25.5X2MM THK) |
| 10 | 400341X1 | 12 | BOLT (M8X1.25X25MM) |

[A] PART OF 179-2180; 501811D1;
502936D1 BASE COMMON AR

00857779
PR: t05b22n43d0219

EXTENSION GP-FENDER - 186-2427
EAME ONLY



MT800B SERIES TRACTORS
FRAME AND BODY

533

EXTENSION GP-FENDER - 186-2427
EAME ONLY

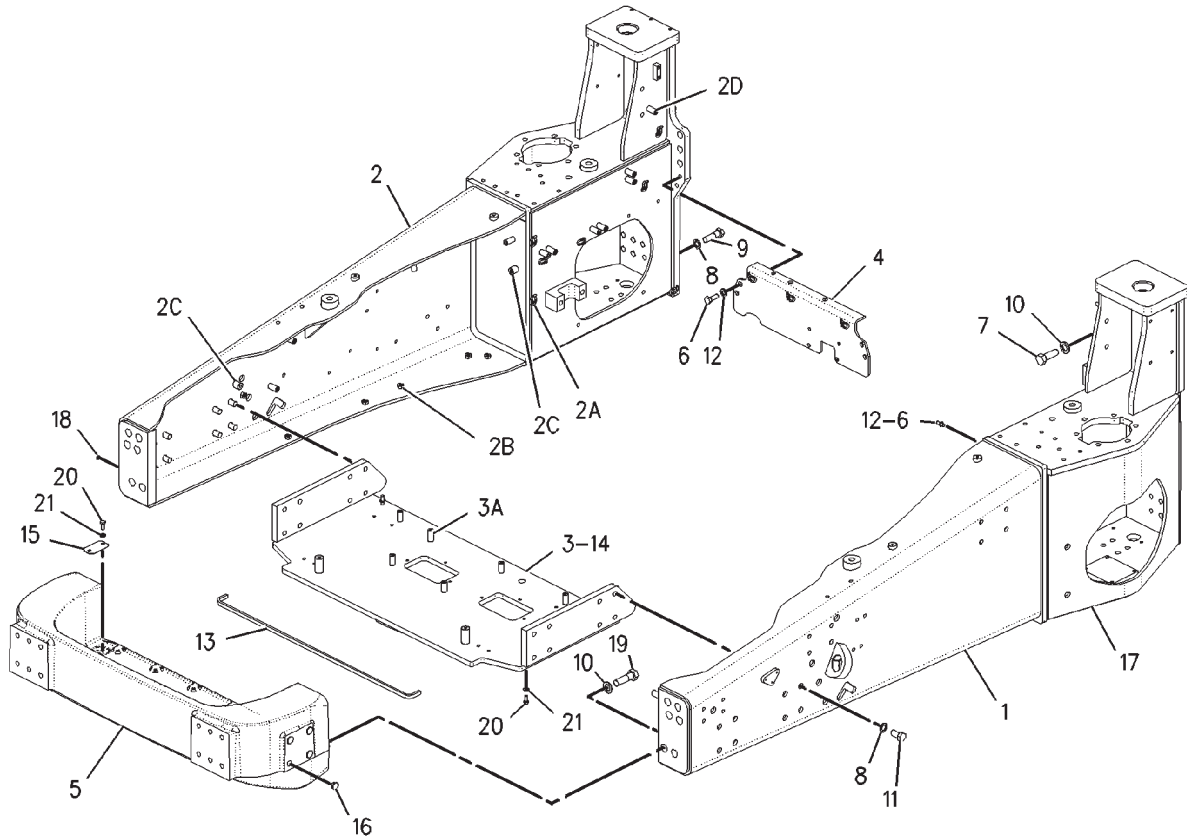
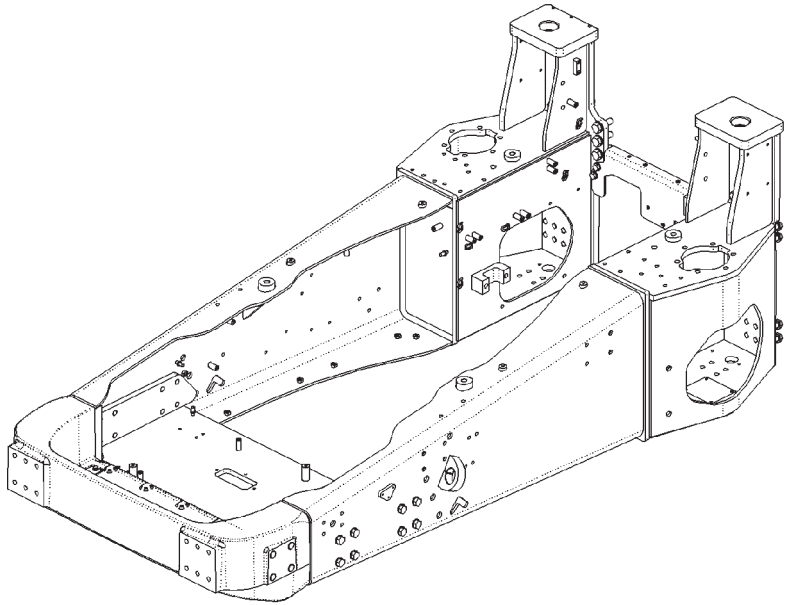
| ITEM | NUMBER | QTY | DESCRIPTION |
|------|-----------|-----|---------------------------------------|
| - | 186-2427 | - | EXTENSION GP-FENER [A] (NOT SERVICED) |
| 1 | 400257X1 | 4 | STUDBOLT (M8X1.25 THD) |
| 2 | 211-0182 | 1 | EXTENSION (LH) |
| 3 | 211-0183 | 1 | EXTENSION (RH) |
| 4 | 400053X1 | 4 | NUT (M8X1.25 THD) |
| 5 | CH7X-0613 | 4 | WASHER-HARD (8.8X25.5X5MM THK) |
| 6 | CH8C-0572 | 12 | WASHER (8.8X25.5X2MM THK) |
| 7 | 400053X1 | 8 | BOLT (M8X1.25X20MM) |

[A] PART OF 179-2180 BASE COMMON AR

00887875
PR: t05b22n43d0220

MT800B SERIES TRACTORS
FRAME AND BODY

FRAME GP - 179-1954
(MT835B & MT845B)



00897283

**MT800B SERIES TRACTORS
FRAME AND BODY**

535

**FRAME GP - 179-1954
(MT835B & MT845B)**

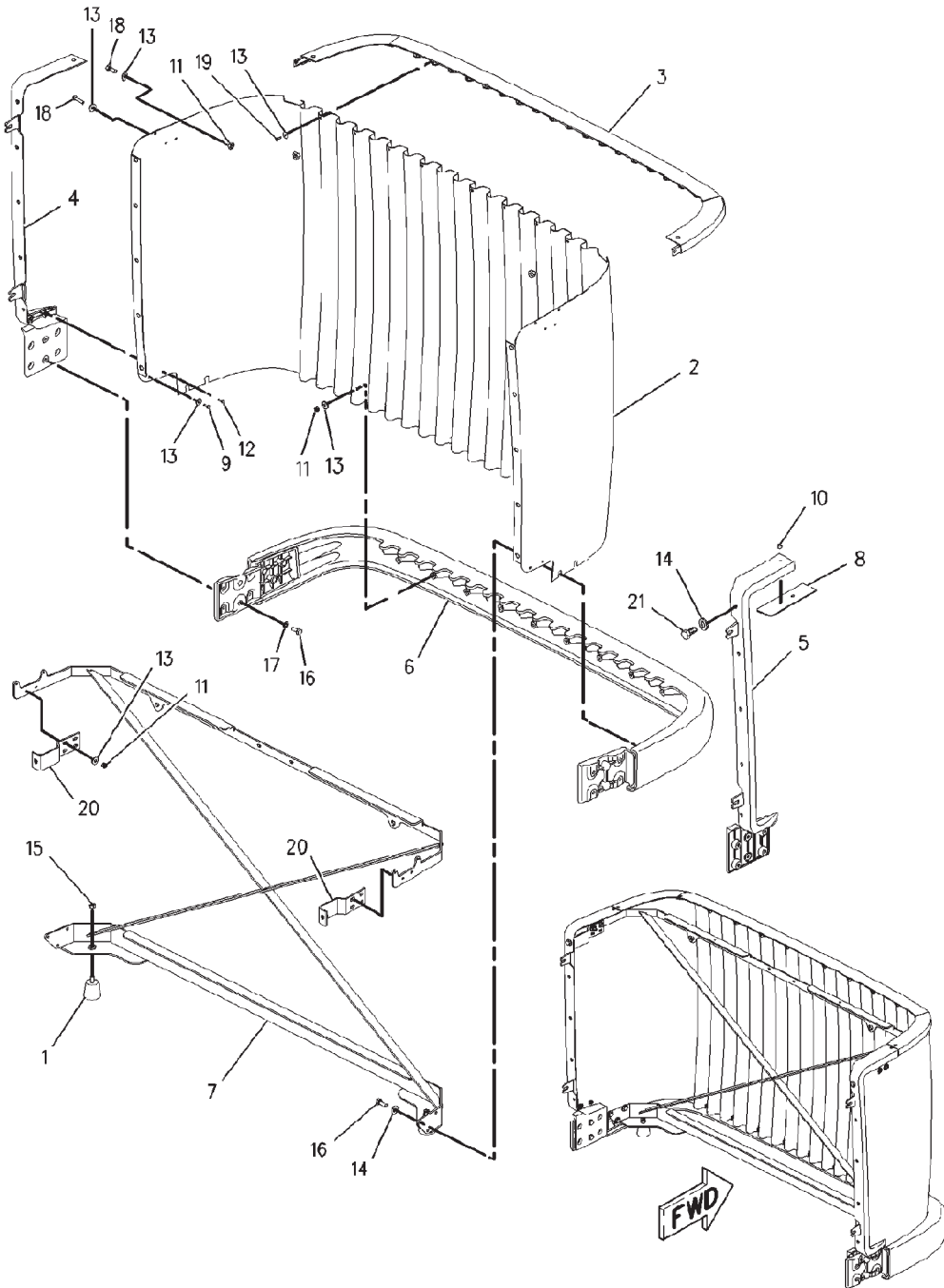
| ITEM | NUMBER | QTY | DESCRIPTION |
|------|------------|-----|----------------------------------|
| - | 179-1954 | - | FRAME GP [A] (NOT SERVICED) |
| 1 | 183-4130 | 1 | FRAME ASM-LH |
| | 7T-1099 | 7 | LINK |
| | CH8T-3490 | 5 | NUT-WELD (M10X1.5) |
| | CH8T-3597 | 19 | NUT-WELD (M12X1.75) |
| | 9R-2613 | 1 | BOSS (M10X1.5) |
| | | 6 | BOSS (M12X1.75) |
| | 9R-2672 | 1 | BOSS (M10X1.5) |
| 2 | 183-4131 | 1 | FRAME ASM-RH |
| | CH8T-3490 | 10 | NUT-WELD (M10X1.5) |
| 2A | 7T-1099 | 8 | LINK |
| 2B | CH8T-3597 | 11 | NUT-WELD (M12X1.75) |
| 2C | | 2 | BOSS |
| 2D | | 11 | BOSS (M10X1.5X39MM) |
| 3 | 183-4132 | 1 | HOOK ASM-TOW |
| 3A | | 3 | BOSS (M10X1.5X39MM) |
| | 9R-2613 | 3 | BOSS (M10X1.5X25MM) |
| | 8T-3635 | 2 | STUD-WELD (M12X1.75X34.93MM OAL) |
| | 9R-3640 | 2 | BOSS |
| 4 | 183-4145 | 1 | PLATE ASM |
| | 7T-1099 | 3 | LINK |
| | CH8T-3490 | 3 | NUT-WELD (M10X1.5) |
| | CH8T-3597 | 2 | NUT-WELD (M12X1.75) |
| | CH8T-3612 | 2 | NUT-WELD (M8X1.25) |
| 5 | 209-1366 | 1 | SUPPORT |
| 6 | 400191X1 | 4 | BOLT (M16X2X40MM) |
| 7 | 400197X1 | 12 | BOLT (M24X3X70MM) |
| 8 | 400080X1 | 40 | WASHER-PLATED (22X35X3.5) |
| 9 | 400122X1 | 24 | BOLT (M20X2.5X70MM) |
| 10 | 400081X1 | 24 | WASHER-HARD (26X44X4) |
| 11 | 400234X1 | 16 | BOLT (M20X2.5X40MM) |
| 12 | 400082X1 | 4 | WASHER (17.5X30X3.5) |
| 13 | CH5P-5727 | 116 | SEAL (CM) |
| 14 | 209-6434 | 2 | PLATE |
| 15 | 209-6295 | 2 | SCREEN |
| 16 | 400091X1 | 10 | PLUG (M24) |
| 17 | CH193-5915 | 28 | PLUG (M12) |
| 18 | 400289X1 | 6 | PLUG (M7) |
| 19 | 400134X1 | 12 | BOLT (M24X3X80MM) |
| 20 | 400039X1 | 4 | BOLT (M10X1.5X25MM) |
| | 400040X1 | 6 | BOLT (M10X1.5X20MM) |
| 21 | 400287X1 | 10 | WASHER-HARD (11X21X2.5) |

[A] PART OF 179-1953 CHASSIS AR

00897283
PR: t05b22n43d0221

MT800B SERIES TRACTORS
FRAME AND BODY

GRILL GP-RADIATOR - 158-5960



MT800B SERIES TRACTORS
FRAME AND BODY

537

GRILL GP-RADIATOR - 158-5960

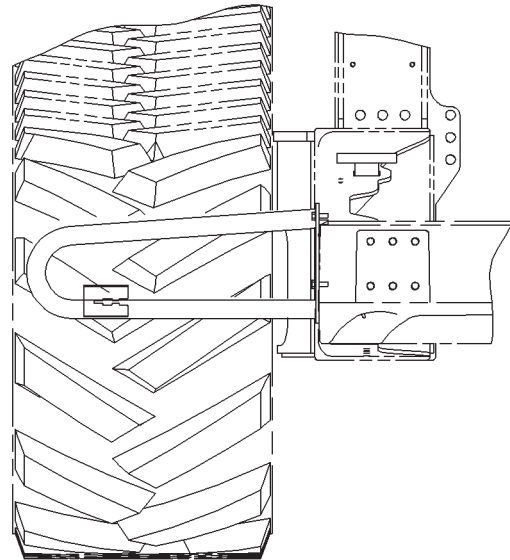
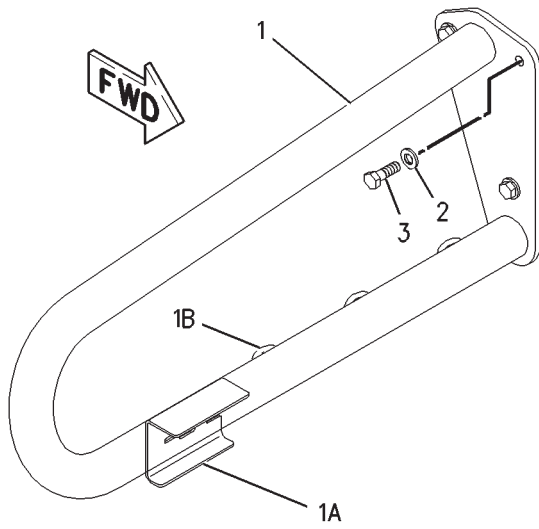
| ITEM | NUMBER | QTY | DESCRIPTION |
|------|------------|-----|---------------------------------|
| - | 158-5960 | - | GRILL GP-RADIATOR [A] |
| 1 | CH145-9545 | 2 | BUMPER |
| 2 | 158-5961 | 1 | GRILL |
| 3 | 158-5962 | 1 | RETAINER ASM (UPPER) |
| 4 | 176-0373 | 1 | RETAINER ASM (LH) |
| 5 | 176-0374 | 1 | RETAINER ASM (RH) |
| 6 | 186-0466 | 1 | RETAINER ASM (LOWER) |
| 7 | 192-6529 | 1 | BAR ASM |
| | CH4K-9097 | 2 | NUT-WELD (5/16-18) |
| | CH8T-3612 | 2 | NUT-WELD (M8X1.25) |
| 8 | 210-4351 | 2 | PLATE |
| 9 | CH210-4352 | 2 | SCREW-PAN HEAD |
| 10 | CH033-7291 | 4 | RIVET-POP |
| 11 | CH129-3178 | 13 | LOCKNUT (M6X1) |
| 12 | CH217-5909 | 2 | SCREW-PAN HEAD (1/4-15X0.50 IN) |
| 13 | CH5P-4115 | 27 | WASHER-HARD (7.2X19X2) |
| 14 | 400599X1 | 8 | WASHER-HARD (8.8X20.5X2) |
| 15 | 400682X1 | 2 | NUT (5/16-18) |
| 16 | 400053X1 | 10 | BOLT (M8X1.25X20MM) |
| 17 | 400339X1 | 4 | WASHER-HARD (8.8X16X2) |
| 18 | CH8C-6433 | 4 | BOLT (M6X1X30MM) |
| 19 | CH8T-9501 | 8 | SCREW (10-16X.75 IN) |
| 20 | 210-4418 | 2 | BRACKET AS |
| 21 | 400341X1 | 2 | BOLT (M8X1.25X25MM) |

[A] PART OF 502647D1 HOOD & GUARD GP

00857765
PR: t05b22n43d0222

MT800B SERIES TRACTORS
FRAME AND BODY

GUARD GP - 187-8609
EAME ONLY



FRONT VIEW

MT800B SERIES TRACTORS
FRAME AND BODY

539

GUARD GP - 187-8609
EAME ONLY

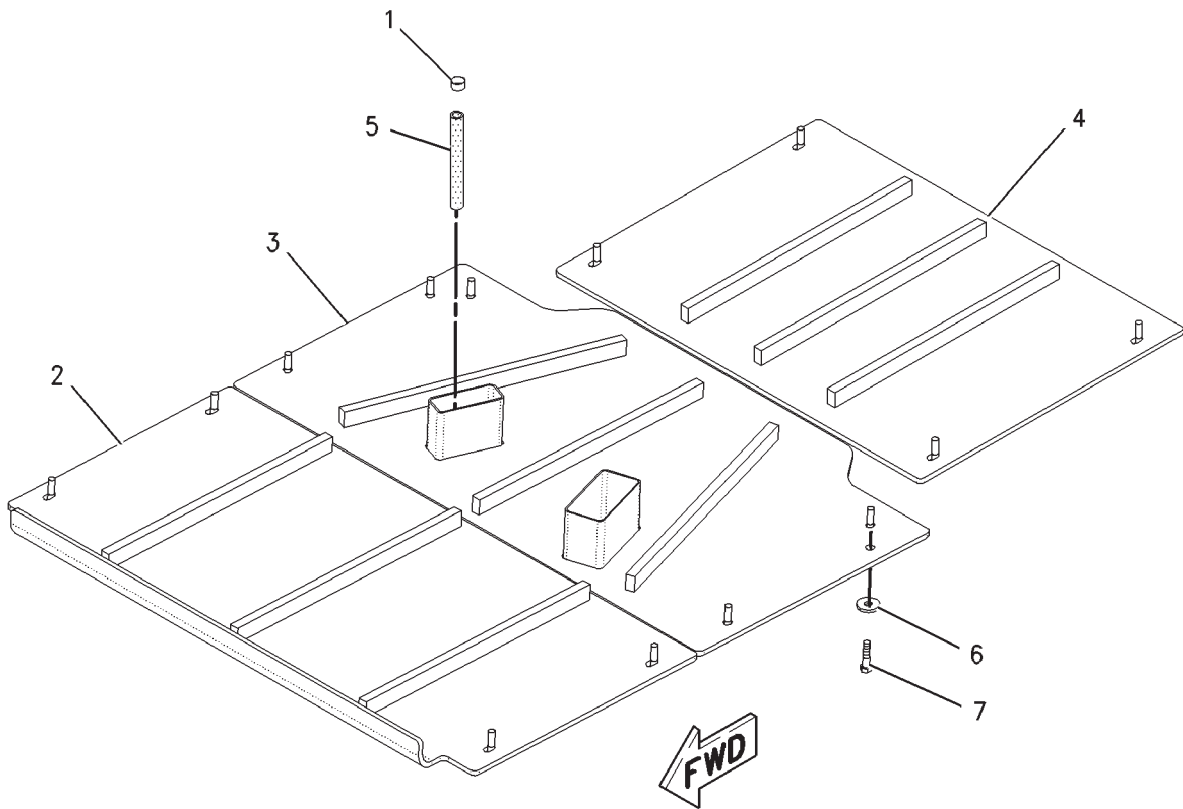
| ITEM | NUMBER | QTY | DESCRIPTION |
|------|----------|-----|--------------------------------|
| - | 187-8609 | - | GUARD GP [A] (NOT SERVICED) |
| 1 | 187-8611 | 1 | GUARD AS (INCLS 1A-1B) |
| 1A | | 1 | BRACKET [Z] |
| 1B | 7T-1099 | 3 | LINK |
| 2 | 400357X1 | 3 | WASHER-HARD (M12X25.5X3MM THK) |
| 3 | 400064X1 | 3 | BOLT (M12X1.75X35MM) |

[A] PART OF:
179-2180; 501811D1 BASE COMMON AR
[Z] NOT SERVICED SEPARATELY

00857946
PR: t05b22n43d0223

MT800B SERIES TRACTORS
FRAME AND BODY

GUARD GP-BOTTOM - 185-8849



MT800B SERIES TRACTORS
FRAME AND BODY

541

GUARD GP-BOTTOM - 185-8849

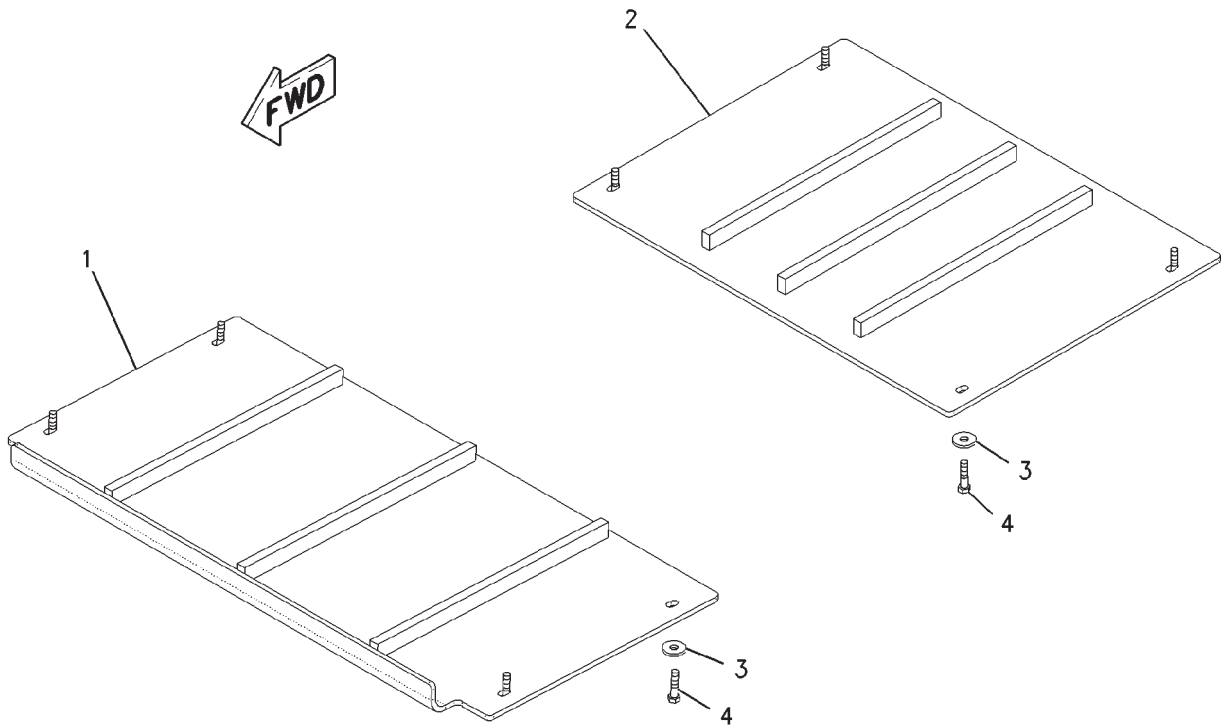
| ITEM | NUMBER | QTY | DESCRIPTION |
|------|-----------|-----|-------------------------|
| - | 185-8849 | - | GUARD GP-BOTTOM [A] |
| 1 | 400108X1 | 1 | CLAMP-HOSE |
| 2 | 192-3042 | 1 | GUARD ASM (FRONT) |
| 3 | 196-9864 | 1 | GUARD ASM (MIDDLE) |
| 4 | 196-9866 | 1 | GUARD AS (REAR) |
| | CH8T-3597 | 3 | NUT-WELD (M12X1.75) |
| 5 | 210-2265 | 1 | HOSE (19CM) |
| 6 | CH7X-0618 | 14 | WASHER-HARD (13.5X40X5) |
| 7 | 400057X1 | 14 | BOLT (M12X1.75X50MM) |

[A] THIS GROUP CANNOT BE USED WITH
197-9558 AUX FUEL TANK AR.

00890678
PR: t05b22n43d0224

MT800B SERIES TRACTORS
FRAME AND BODY

GUARD GP-BOTTOM - 200-8826
FOR USE WITH 197-8558 AUX FUEL TANK AR



MT800B SERIES TRACTORS
FRAME AND BODY

543

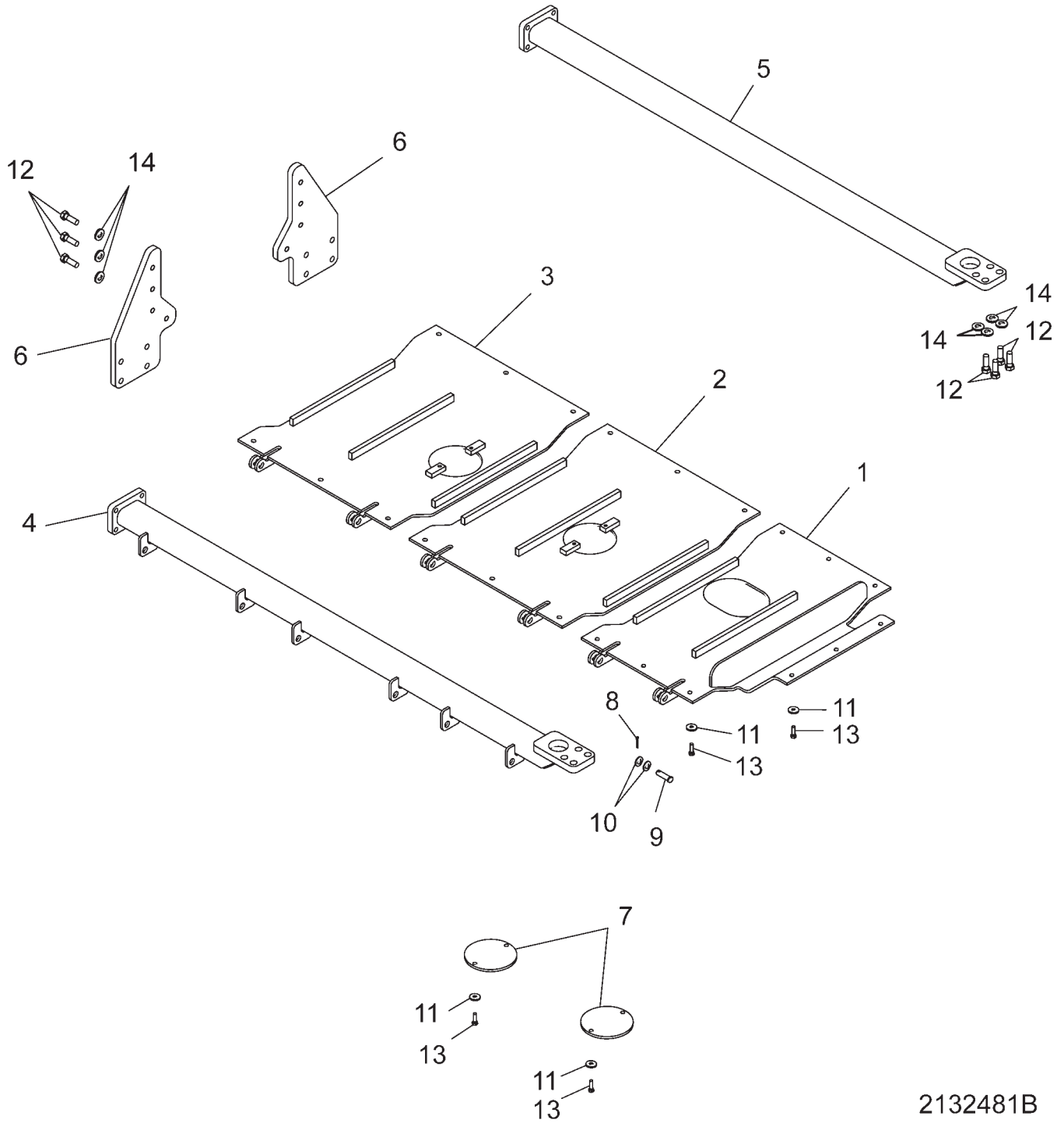
GUARD GP-BOTTOM - 200-8826
FOR USE WITH 197-8558 AUX FUEL TANK AR

| ITEM | NUMBER | QTY | DESCRIPTION |
|------|-----------|-----|-------------------------|
| - | 200-8826 | - | GUARD GP-BOTTOM |
| 1 | 192-3042 | 1 | GUARD ASM (FRONT) |
| 2 | 196-9866 | 1 | GUARD ASM (REAR) |
| | CH8T-3597 | 3 | NUT-WELD (M12X1.75) |
| 3 | CH7X-0618 | 8 | WASHER-HARD (13.5X40X5) |
| 4 | 400057X1 | 8 | BOLT (M12X1.75X50MM) |

00891867
PR: t05b22n43d0225

MT800B SERIES TRACTORS
FRAME AND BODY

GUARD GP-BOTTOM - 213-2481
REAR



MT800B SERIES TRACTORS
FRAME AND BODY

545

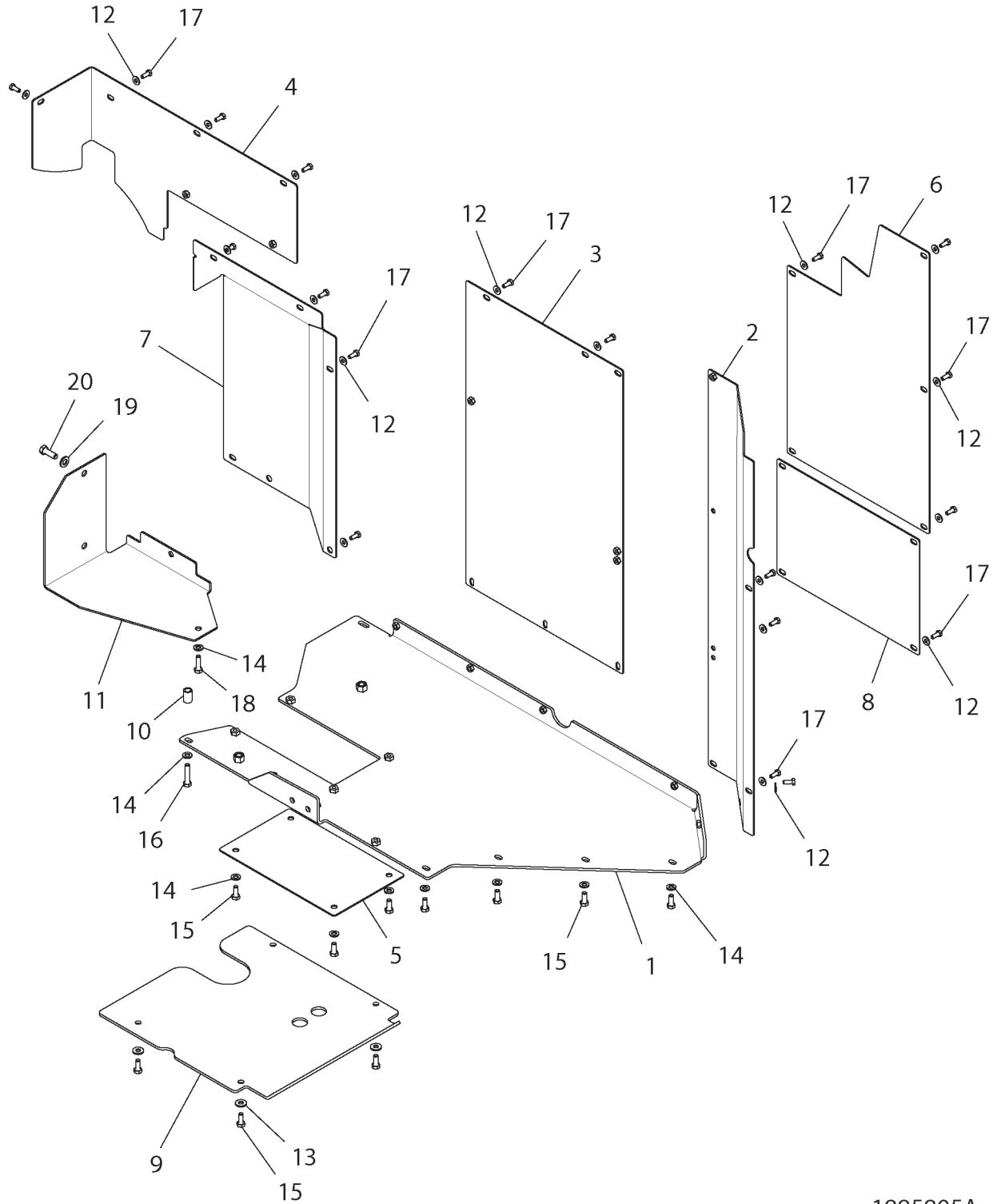
GUARD GP-BOTTOM - 213-2481
REAR

| ITEM | NUMBER | QTY | DESCRIPTION |
|------|-----------|-----|--------------------------------|
| - | 213-2481 | - | GROUP/GUARD-BOTTOM (REAR) |
| 1 | 213-2500 | 1 | GUARD AS-BOTTOM |
| 2 | 213-2501 | 1 | GUARD AS-BOTTOM |
| 3 | 213-2502 | 1 | GUARD AS-BOTTOM |
| 4 | 213-2503 | 1 | SUPPORT AS-RH |
| 5 | 213-2504 | 1 | SUPPORT AS-LH |
| 6 | 213-2505 | 2 | SUPPORT |
| 7 | 213-2506 | 2 | PLATE |
| 8 | CH3B-4629 | 6 | COTTER PIN 4.76 DIA X 38.1 |
| 9 | CH4J-2036 | 6 | PIN |
| 10 | CH7X-0594 | 12 | WASHER HARD |
| 11 | CH7X-0618 | 25 | WASHER HARD 13.5IDX40ODX5 ZNDI |
| 12 | 400031X1 | 24 | BOLT-M20X2.5X60 ZNDI HHD 10.9 |
| 13 | 400050X1 | 25 | BOLT-M12X1.75X40 ZNDI HHD 10.9 |
| 14 | CH8T-5439 | 24 | WASHER- HARD |

2132481B
PR: t05b22n43d0226

MT800B SERIES TRACTORS
FRAME AND BODY

GUARD GP-POWER TRAIN - 189-5805
(MT835B & MT845B)



**MT800B SERIES TRACTORS
FRAME AND BODY**

547

**GUARD GP-POWER TRAIN - 189-5805
(MT835B & MT845B)**

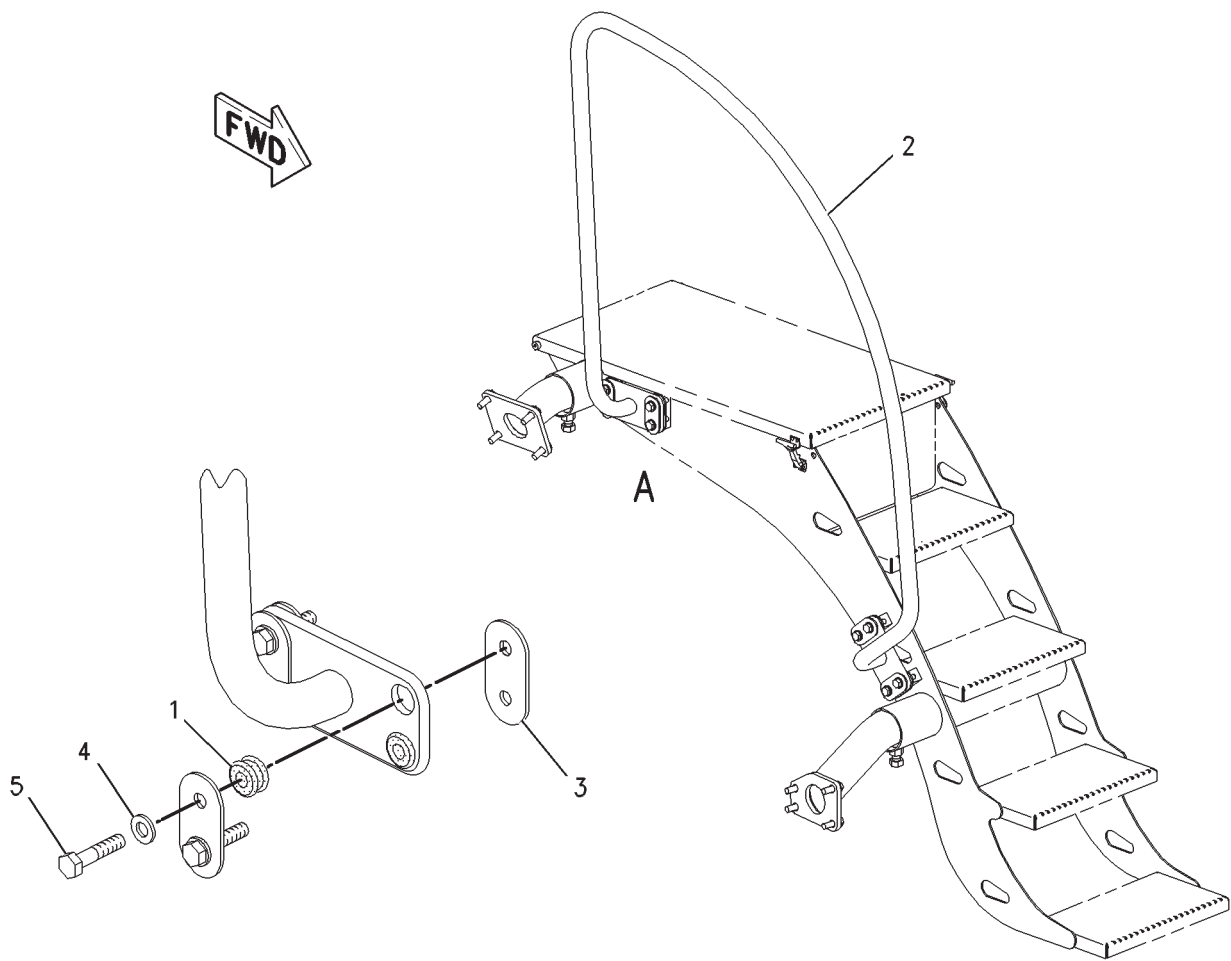
| ITEM | NUMBER | QTY | DESCRIPTION |
|------|------------|-----|---|
| - | 189-5805 | - | GUARD GP-POWER TRAIN [A] (NOT SERVICED) |
| 1 | 189-4286 | 1 | GUARD ASM |
| | CH8T-3597 | 2 | NUT-WELD (M12X1.75) |
| | CH8T-3490 | 8 | NUT-WELD (M10X1.5) |
| | CH8T-3612 | 5 | NUT-WELD (M8X1.25) |
| 2 | 189-4287 | 1 | GUARD ASM |
| | CH8T-3612 | 4 | NUT-WELD (M8X1.25) |
| 3 | 189-4288 | 1 | GUARD AS |
| | CH8T-3612 | 3 | NUT-WELD (M8X1.25) |
| 4 | 189-4289 | 1 | GUARD ASM |
| | CH8T-3612 | 2 | NUT-WELD (M8X1.25) |
| 5 | 195-1004 | 1 | COVER |
| 6 | 195-1016 | 1 | COVER |
| 7 | 209-9231 | 1 | GUARD |
| 8 | 209-9232 | 1 | COVER |
| 9 | 210-7526 | 1 | PLATE |
| 10 | CH213-4497 | 1 | SPACER (12.75X19.1X29) |
| 11 | 224-6641 | 1 | PLATE AS |
| 12 | 400599X1 | 24 | WASHER-HARD (8.8X20.5X2) |
| 13 | CH7X-7729 | 4 | WASHER (11X25X3) |
| 14 | 400287X1 | 10 | WASHER-HARD (11X21X2.5) |
| 15 | 400039X1 | 12 | BOLT (M10X1.5X25MM) |
| 16 | 400226X1 | 1 | BOLT (M10X1.5X50MM) |
| 17 | 400053X1 | 24 | BOLT (M8X1.25X20MM) |
| 18 | 400059X1 | 1 | BOLT (M10X1.5X35MM) |
| 19 | 400357X1 | 2 | WASHER (M12X25.5X3) |
| 20 | 400064X1 | 2 | BOLT (M12X1.75X35MM) |

[A] PART OF 179-1953 CHASSIS AR

1895805A
PR: t05b22n43d0227

MT800B SERIES TRACTORS
FRAME AND BODY

HANDHOLD GP - 203-9179
INNER



MT800B SERIES TRACTORS
FRAME AND BODY

549

HANDHOLD GP - 203-9179
INNER

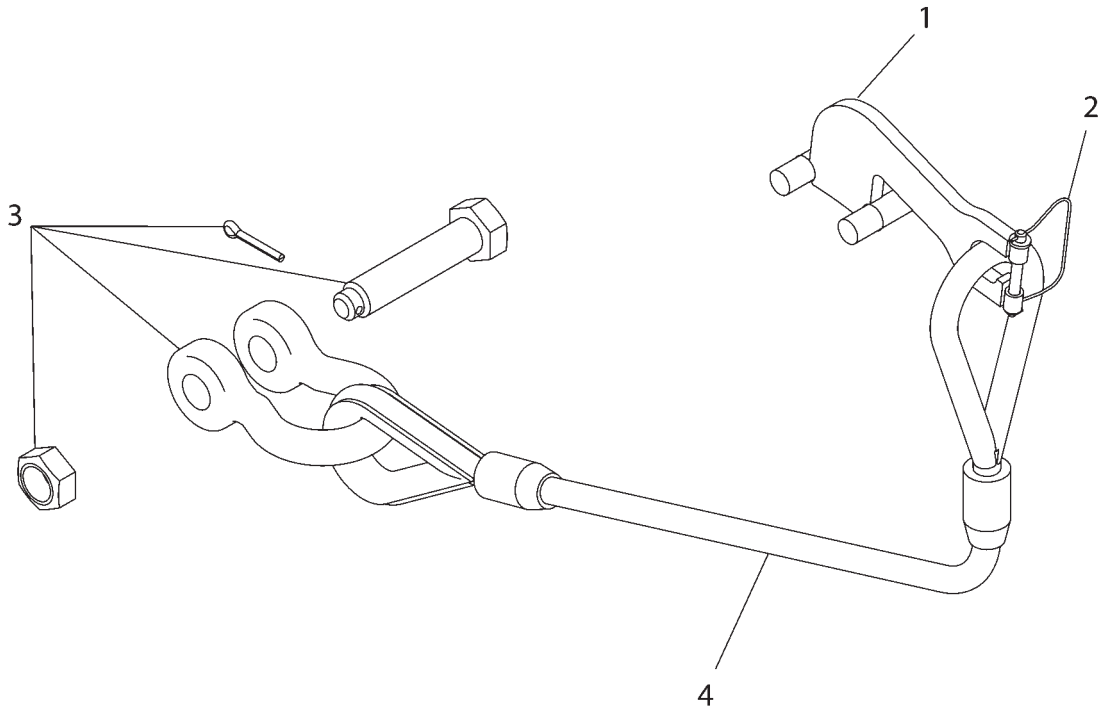
| ITEM | NUMBER | QTY | DESCRIPTION |
|------|-----------|-----|---|
| - | 502762D1 | - | HANDHOLD GP (FIELD INSTALLED) |
| - | 502772D1 | - | HANDHOLD GP (FACTORY) (NOT SERVICED, ORDER FIELD INSTALLED) |
| - | 203-9179 | - | HANDHOLD GP [A] (REF ONLY) (NOT SERVICED, ORDER FIELD INSTALLED) |
| 1 | CH6N-6984 | 8 | MOUNT |
| 2 | 203-9183 | 1 | HANDHOLD ASM |
| 3 | 203-9200 | 8 | PLATE |
| 4 | 400287X1 | 8 | WASHER-HARD (11X21X2.5) |
| 5 | 400052X1 | 8 | BOLT (M10X1.5X45MM) |

00810595
PR: t05b22n43d0228

550

MT800B SERIES TRACTORS
FRAME AND BODY

TOW CABLE GP - 500039D1
ROW ONLY



500039DA

MT800B SERIES TRACTORS
FRAME AND BODY

551

TOW CABLE GP - 500039D1
ROW ONLY

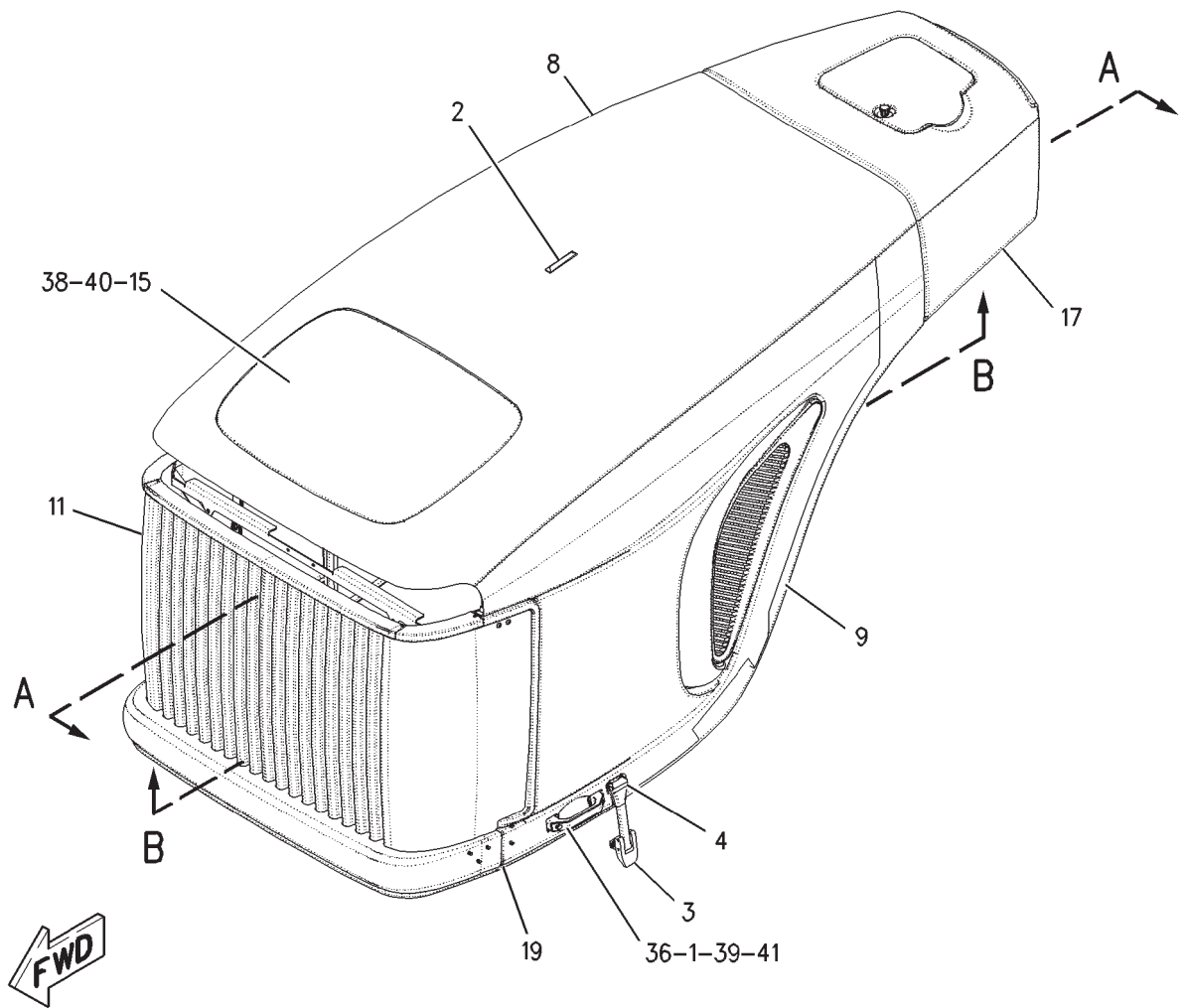
| ITEM | NUMBER | QTY | DESCRIPTION |
|------|----------|-----|--------------|
| - | 500039D1 | - | CABLE GP-TOW |
| 1 | 500120D1 | 1 | BRACKET AS |
| 2 | 500124D1 | 1 | HITCH PIN AS |
| 3 | 500125D1 | 1 | SHACKLE AS |
| 4 | 500126D1 | 1 | CABLE AS |

500039DA
PR: t05b22n43d0229

MT800B SERIES TRACTORS
FRAME AND BODY

HOOD & GUARD GP - 502647D1
1 OF 2
ROW & SPECIAL

REFER TO ALL ILLUSTRATIONS OF
THIS GROUP FOR AUXILIARY VIEWS



MT800B SERIES TRACTORS
FRAME AND BODY

553

HOOD & GUARD GP - 502647D1
1 OF 2
ROW & SPECIAL

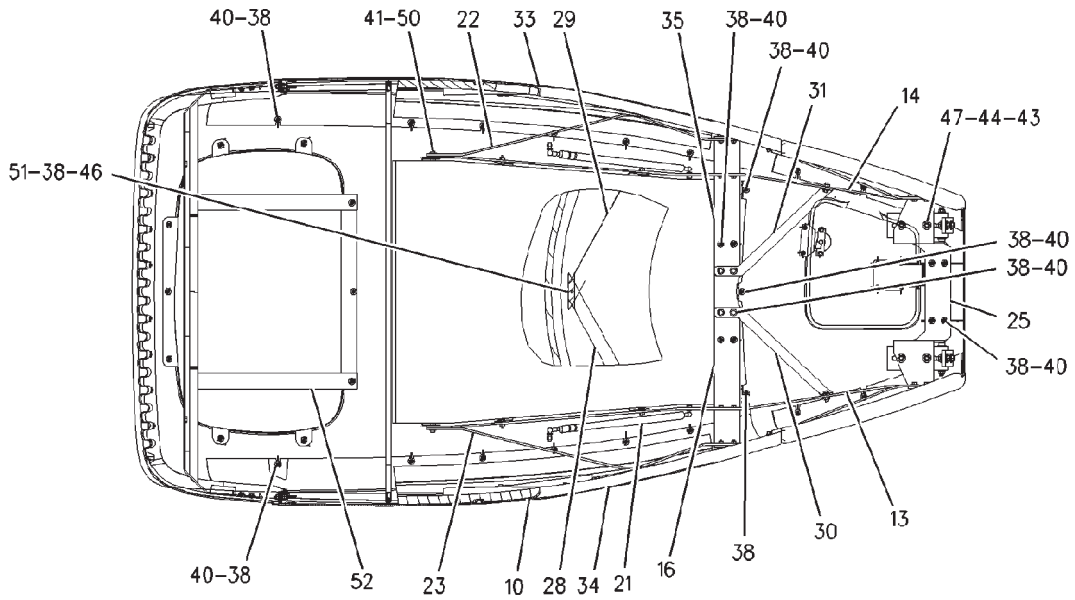
| ITEM | NUMBER | QTY | DESCRIPTION |
|------|------------|-----|---|
| - | 502647D1 | - | HOOD & GUARD GP [A] (NOT SERVICED) |
| 1 | 400162X1 | 2 | BOLT-SOCKET HEAD (M8X1.25X50 MM) |
| 2 | CH100-4036 | 1 | MARKER-HOOD |
| 3 | CH113-8880 | 2 | LATCH ASM |
| 4 | CH114-5793 | 2 | KEEPER |
| 8 | 158-5950 | 1 | HOOD AS |
| 9 | 158-5952 | 1 | PANEL AS (LH) |
| | 179-4207 | 1 | INSERT |
| 11 | 158-5960 | 1 | GRILL GP-RADIATOR (SEE BREAKDOWN FOR COMPONENTS) |
| 15 | 188-0514 | 1 | GRILL (TOP) |
| 17 | 190-5943 | 1 | COVER GP-ACCESS (SEE BREAKDOWN FOR COMPONENTS) |
| 19 | 501148D1 | | SEAL-BULK (GRILL) |
| 36 | 400115X1 | 1 | HANDLE |
| 38 | CH129-3178 | 60 | LOCKNUT (M6X1) |
| 39 | CH131-3540 | 12 | LOCKNUT |
| 40 | CH5P-4115 | 51 | WASHER-HARD (7.2X19X2) |
| 41 | 400599X1 | 50 | WASHER-HARD (8.8X20.5X2) |
| 52 | 223-5887 | 2 | BRACKET |
| 54 | 7774664 | 4 | NUT (M8X1.25) |

[A] PART OF:
179-1952; 501810D1 BASE COMMON AR

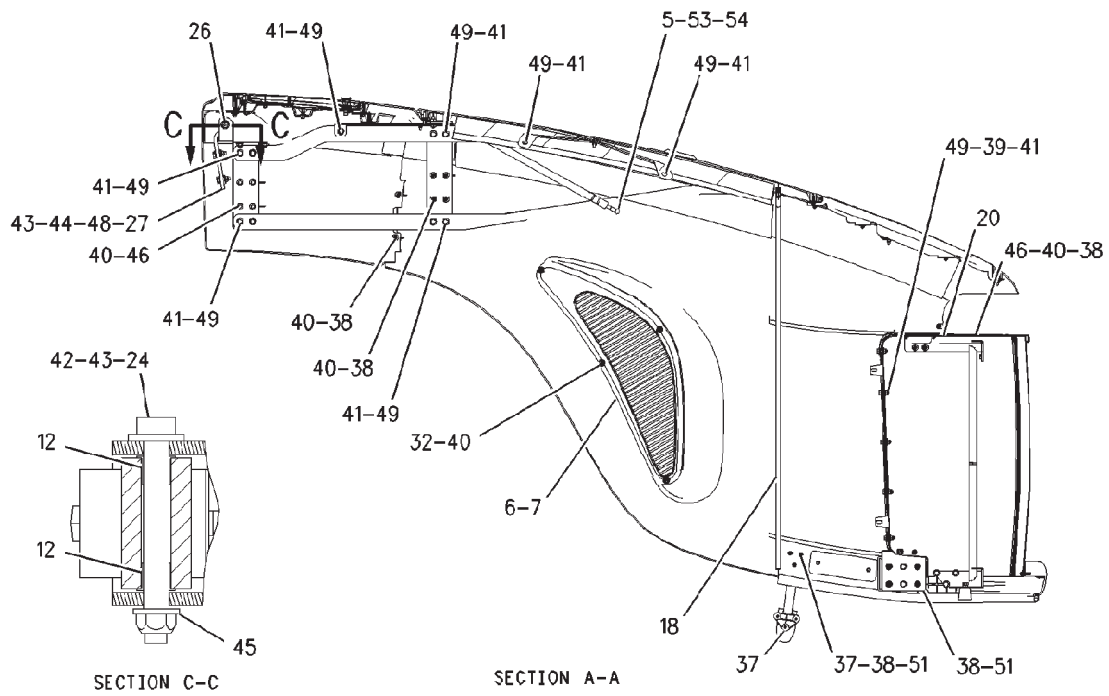
00887940
PR: t05b22n43d0230

MT800B SERIES TRACTORS FRAME AND BODY

HOOD & GUARD GP - 502647D1
2 OF 2
ROW & SPECIAL



SECTION B-B



**MT800B SERIES TRACTORS
FRAME AND BODY**

555

**HOOD & GUARD GP - 502647D1
2 OF 2
ROW & SPECIAL**

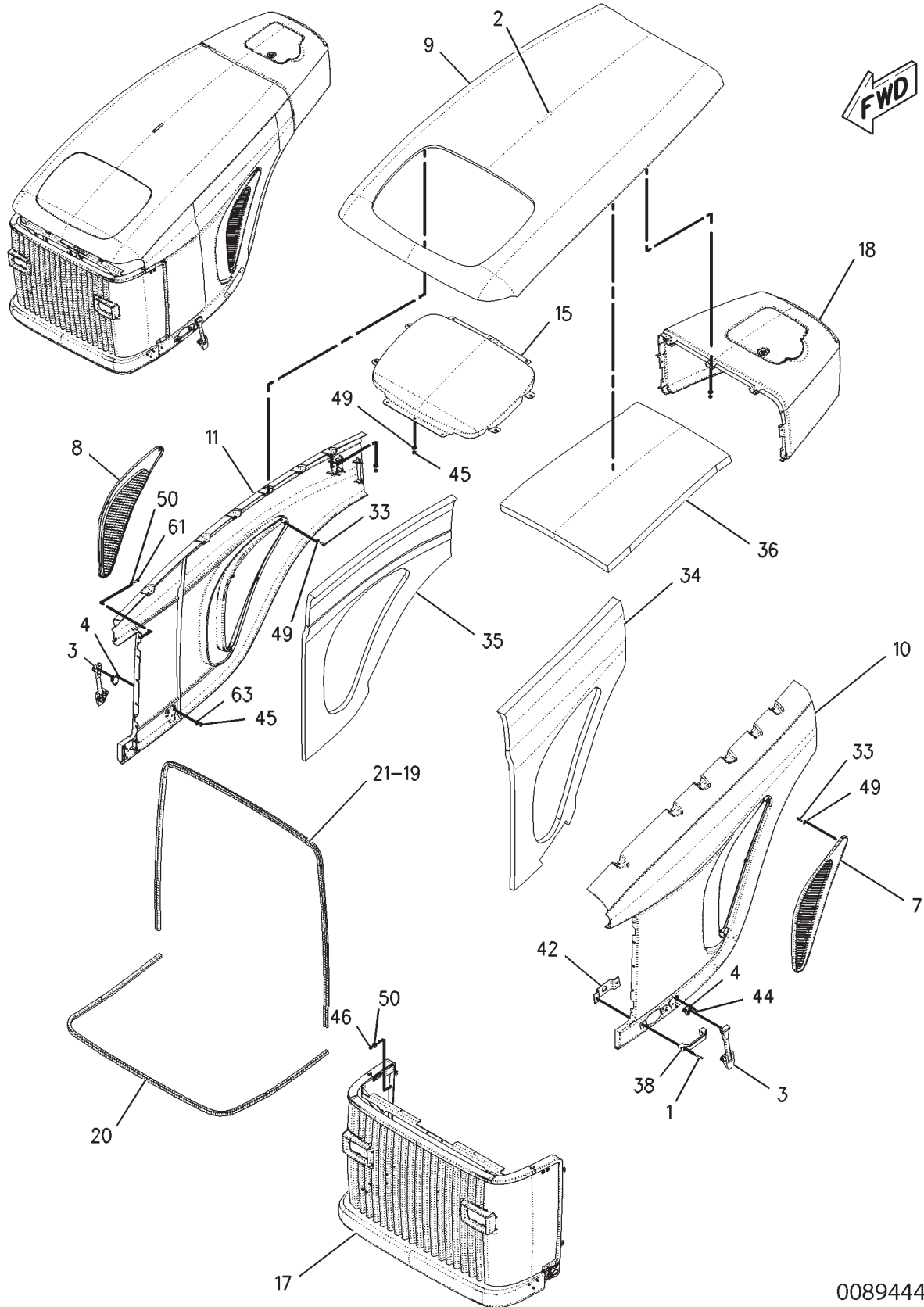
| ITEM | NUMBER | QTY | DESCRIPTION |
|------|------------|-----|------------------------------------|
| - | 502647D1 | - | HOOD & GUARD GP [A] (NOT SERVICED) |
| 5 | | | NOT USED |
| 6 | 158-5934 | 1 | GRILL LOWER (LH) |
| 7 | 158-5935 | 1 | GRILL LOWER (RH) |
| 10 | 158-5953 | 1 | PANEL ASM (RH) |
| | 179-4207 | 1 | INSERT (M6) |
| 12 | 400104X1 | 4 | BEARING |
| 13 | 188-0452 | 1 | PLATE (RH) |
| 14 | 188-0453 | 1 | PLATE (LH) |
| 16 | 188-0564 | 1 | BRACKET |
| 18 | 192-6516 | 1 | SEAL (HOOD) |
| 20 | 192-6518 | 1 | SEAL (HOOD) |
| 21 | 231-6106 | 2 | STRUT-GAS |
| 22 | 209-0359 | 1 | BRACKET |
| 23 | 209-0361 | 1 | BRACKET |
| 24 | 400013X1 | 2 | BOLT-SHOULDER (M10X1.5X96) |
| 25 | 209-0364 | 1 | BRACKET |
| 26 | 209-0373 | 2 | BRACKET |
| 27 | 209-0376 | 2 | ANGLE ASM |
| 28 | 209-3146 | 1 | BRACKET |
| 29 | 209-3147 | 1 | BRACKET |
| 30 | 209-3384 | 1 | BRACKET |
| 31 | 209-3385 | 1 | BRACKET |
| 32 | CH217-5909 | 8 | SCREW-PAN HEAD (NO.10-15X12.7) |
| 33 | 210-4413 | 1 | INSULATION (LH) |
| 34 | 210-4414 | 1 | INSULATION (RH) |
| 35 | 210-4415 | 1 | INSULATION (TOP) |
| 37 | CH123-4950 | 12 | SCREW-PAN HEAD (M6X1X16MM) |
| 38 | CH129-3178 | 60 | LOCKNUT (M6X1) |
| 39 | CH131-3540 | 12 | LOCKNUT |
| 40 | CH5P-4115 | 51 | WASHER-HARD (7.2X19X2) |
| 41 | 400599X1 | 50 | WASHER-HARD (8.8X20.5X2) |
| 42 | 400277X1 | 2 | WASHER-HARD (13.51X25X3) |
| 43 | CH6V-7744 | 10 | LOCKNUT (M10X1.5) |
| 44 | CH7X-7729 | 16 | WASHER (11X25X3) |
| 45 | 400287X1 | 6 | WASHER-HARD (11X21X2.5) |
| 46 | 400221X1 | 11 | BOLT (M6X1X20MM) |
| 47 | 400058X1 | 4 | BOLT (M10X1.5X30MM) |
| 48 | 400059X1 | 4 | BOLT (M10X1.5X35MM) |
| 49 | 400341X1 | 36 | BOLT (M8X1.25X25MM) |
| 50 | 400245X1 | 2 | BOLT (M8X1.25X30MM) |
| 51 | 400310X1 | 16 | WASHER (6.6X12X2) |
| 53 | 400287X1 | 4 | WASHER-HARD (11X21X2.5) |
| 54 | 7774664 | 4 | NUT (M10X1.5) |

[A] PART OF:
179-1952; 501810D1 BASE COMMON AR

00887941
PR: t05b22n43d0231

MT800B SERIES TRACTORS
FRAME AND BODY

HOOD & GUARD GP - 502353D1
1 OF 2
EAME ONLY



**MT800B SERIES TRACTORS
FRAME AND BODY**

557

**HOOD & GUARD GP - 502353D1
1 OF 2
EAME ONLY**

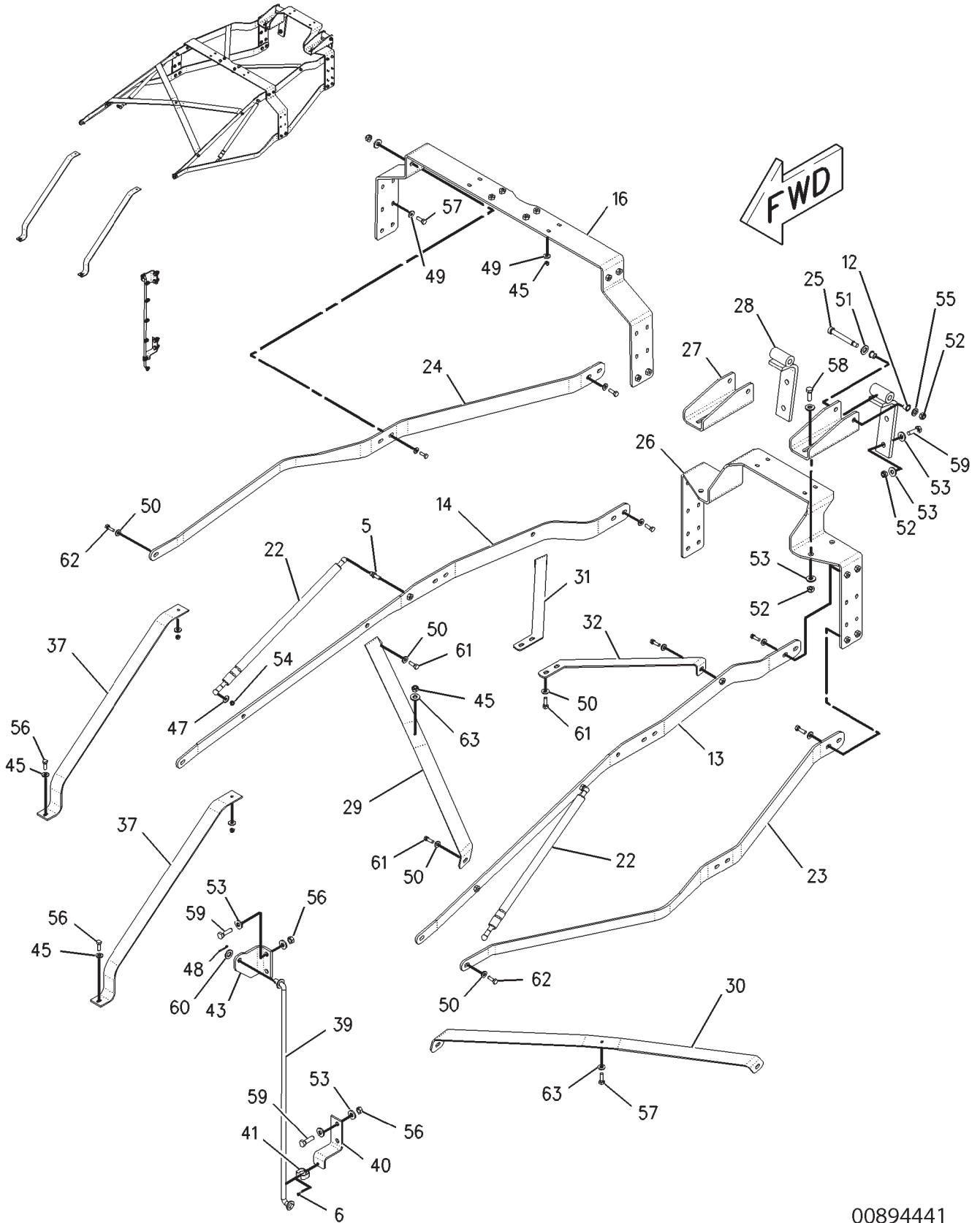
| ITEM | NUMBER | QTY | DESCRIPTION |
|------|------------|-----|--|
| - | 502353D1 | - | HOOD & GUARD GP [A] (NOT SERVICED) |
| 1 | 400162X1 | 2 | BOLT-SOCKET HEAD (M8X1.25X50 MM) |
| 2 | CH100-4036 | 1 | MARKER-HOOD |
| 3 | CH113-8880 | 2 | LATCH AS |
| 4 | CH114-5793 | 2 | KEEPER |
| 7 | 158-5934 | 1 | GRILL AS-LWR (LH) |
| 8 | 158-5935 | 1 | GRILL AS-LWR (RH) |
| 9 | 158-5950 | 1 | HOOD AS |
| 10 | 158-5952 | 1 | PANEL AS (LH) |
| 11 | 158-5953 | 1 | PANEL AS (RH) |
| 15 | 188-0514 | 1 | GRILL (TOP) |
| 17 | 188-0568 | 1 | GRILL AS |
| 18 | 190-5943 | 1 | COVER GP-ACCESS (NOT SERVICED) (SEE BREAKDOWN FOR COMPONENTS) |
| 19 | 192-6516 | 1 | SEAL (HOOD-LH) (3430MM) |
| 20 | 501148D1 | 1 | SEAL (GRILL) |
| 21 | 192-6518 | 1 | SEAL (HOOD-UPPER) (1469MM) |
| 33 | CH217-5909 | 8 | SCREW-PAN HEAD |
| 34 | 502650D1 | 1 | INSULATION (LH) |
| 35 | 502651D1 | 1 | INSULATION (RH) |
| 36 | 502652D1 | 1 | INSULATION (TOP) |
| 38 | 400115X1 | 1 | HANDLE |
| 42 | 216-6429 | 1 | BRACKET AS |
| | CH8T-3612 | 2 | NUT-WELD (M8X1.25 THD) |
| 44 | CH123-4950 | 12 | SCREW-PAN HEAD (M6X1X16MM) |
| 45 | CH129-3178 | 60 | LOCKNUT (M6X1 THD) |
| 46 | CH131-3540 | 10 | LOCKNUT |
| 49 | CH5P-4115 | 61 | WASHER-HARD (7.2X19X2MM THK) |
| 50 | 400599X1 | 48 | WASHER-HARD (8.8X20.5X2MM THK) |
| 61 | 400341X1 | 36 | BOLT (M8X1.25X25MM) |
| 63 | 400310X1 | 16 | WASHER (6.6X12X2MM THK) |

[A] PART OF:
501811D1; 502936D1 BASE COMMON AR

00894440
PR: t05b22n43d0232

MT800B SERIES TRACTORS
FRAME AND BODY

HOOD & GUARD GP - 502353D1
2 OF 2
EAME ONLY



**MT800B SERIES TRACTORS
FRAME AND BODY**

559

**HOOD & GUARD GP - 502353D1
2 OF 2
EAME ONLY**

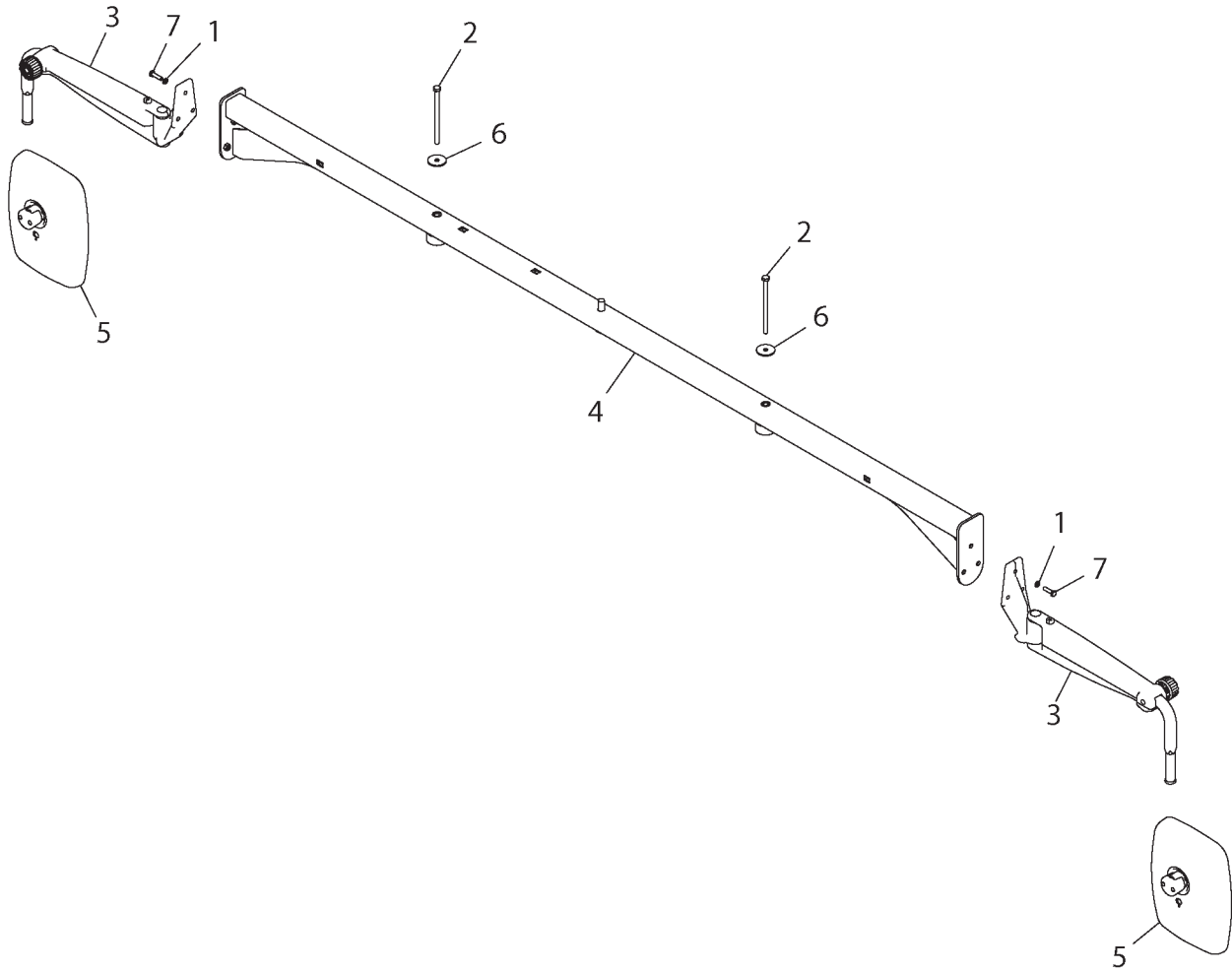
| ITEM | NUMBER | QTY | DESCRIPTION |
|------|------------|-----|------------------------------------|
| - | 502353D1 | - | HOOD & GUARD GP [A] (NOT SERVICED) |
| 5 | | | NOT USED |
| 6 | 400014X1 | 1 | BOLT-SOCKET HEAD (M4X0.7X10MM) |
| 12 | 400104X1 | 4 | BEARING |
| 13 | 188-0452 | 1 | PLATE AS (RH) |
| 14 | 188-0453 | 1 | PLATE AS (LH) |
| | CH8T-3612 | 4 | NUT-WELD (M8X1.25 THD) |
| 16 | 188-0564 | 1 | BRACKET AS |
| | CH8T-3612 | 12 | NUT-WELD (M8X1.25 THD) |
| 22 | 231-6106 | 2 | SPRING-GAS |
| 23 | 209-0359 | 1 | BRACKET |
| 24 | 209-0361 | 1 | BRACKET |
| 25 | 400013X1 | 2 | BOLT (M10X1.5X96) |
| 26 | 209-0364 | 1 | BRACKET AS |
| | CH8T-3612 | 8 | NUT-WELD (M8X1.25 THD) |
| 27 | 209-0373 | 2 | BRACKET |
| 28 | 209-0376 | 2 | ANGLE AS |
| 29 | 209-3146 | 1 | BRACKET |
| 30 | 209-3147 | 1 | BRACKET |
| 31 | 209-3384 | 1 | BRACKET |
| 32 | 209-3385 | 1 | BRACKET |
| 37 | 223-5887 | 2 | BRACKET |
| 39 | 216-6425 | 1 | ROD AS |
| 40 | 216-6426 | 1 | BRACKET AS |
| 41 | CH216-6428 | 1 | CLIP |
| 43 | 216-6430 | 1 | SUPPORT |
| 45 | CH129-3178 | 60 | LOCKNUT (M6X1 THD) |
| 47 | 400339X1 | 2 | WASHER-HARD (8.8X16X2MM THK) |
| 48 | CH3B-4611 | 1 | PIN-COTTER |
| 49 | CH5P-4115 | 61 | WASHER-HARD (7.2X19X2MM THK) |
| 50 | 400599X1 | 48 | WASHER-HARD (8.8X20.5X2MM THK) |
| 51 | 400277X1 | 2 | WASHER-HARD (M12X25.5X3MM THK) |
| 52 | CH6V-7744 | 10 | LOCKNUT (M10X1.5 THD) |
| 53 | CH7X-7729 | 24 | WASHER (11X25X3MM THK) |
| 54 | 7774664 | 2 | NUT (M10X1.5 THD) |
| 55 | 8T-4121 | 2 | WASHER-HARD (11X21X2.5MM THK) |
| 56 | 7774664 | 4 | NUT (M10X1.5 THD) |
| 57 | 400221X1 | 11 | BOLT (M6X1X20MM) |
| 58 | 400058X1 | 4 | BOLT (M10X1.5X30MM) |
| 59 | 400059X1 | 8 | BOLT (M10X1.5X35MM) |
| 60 | 400357X1 | 1 | WASHER-HARD (M12X25.5X3MM THK) |
| 61 | 400341X1 | 36 | BOLT (M8X1.25X25MM) |
| 62 | 400245X1 | 2 | BOLT (M8X1.25X30MM) |
| 63 | 400310X1 | 16 | WASHER (6.6X12X2MM THK) |

[A] PART OF:
501811D1; 502936D1 BASE COMMON AR

00894441
PR: t05b22n43d0233

MT800B SERIES TRACTORS
FRAME AND BODY

KIT-EXTRA WIDE MIRRORS - 501557D1
MANUAL ADJUSTMENT
ROW & SPECIAL



MT800B SERIES TRACTORS
FRAME AND BODY

561

KIT-EXTRA WIDE MIRRORS - 501557D1
MANUAL ADJUSTMENT
ROW & SPECIAL

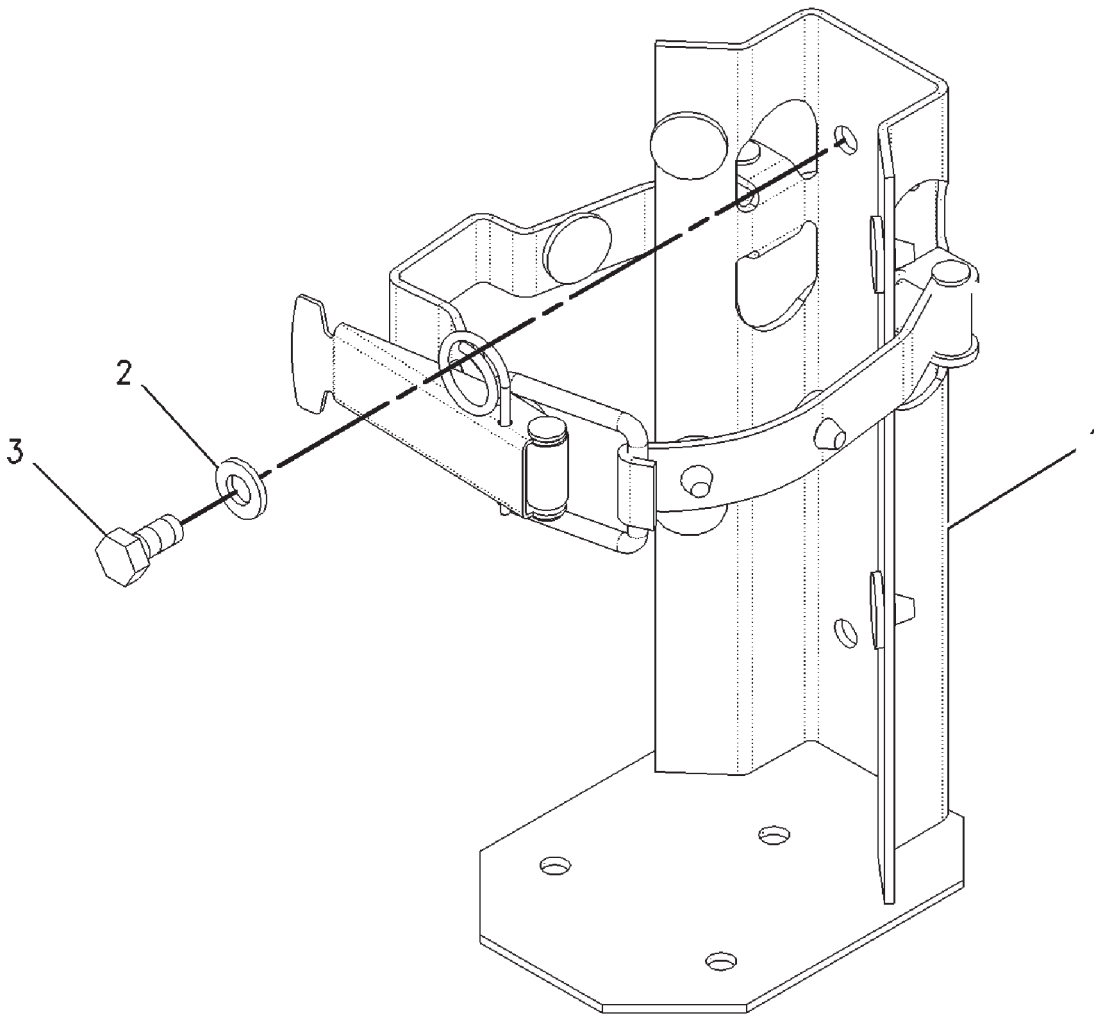
| ITEM | NUMBER | QTY | DESCRIPTION |
|------|-----------|-----|--------------------------|
| - | 501557D1 | - | KIT-EXTRA WIDE MIRRORS |
| 1 | WR550205 | 6 | LOCKWASHER (0.31 ZN REG) |
| 2 | 400137X1 | 2 | BOLT (M10X1.5X160MM) |
| 3 | 501195D1 | 2 | MIRROR ARM |
| 4 | 501563D1 | 1 | TUBE AS |
| 5 | 502069D1 | 2 | MIRROR HEAD |
| 6 | CH8T-4226 | 2 | WASHER (10.5X45X3MM) |
| 7 | 400245X1 | 6 | BOLT (M8X1.25X30MM) |

501557DA
PR: t05k07n15a0012

562

MT800B SERIES TRACTORS
FRAME AND BODY

KIT-MOUNTING - 208-7698
FIRE EXTINGUISHER
ROW & SPECIAL



00888925

MT800B SERIES TRACTORS
FRAME AND BODY

563

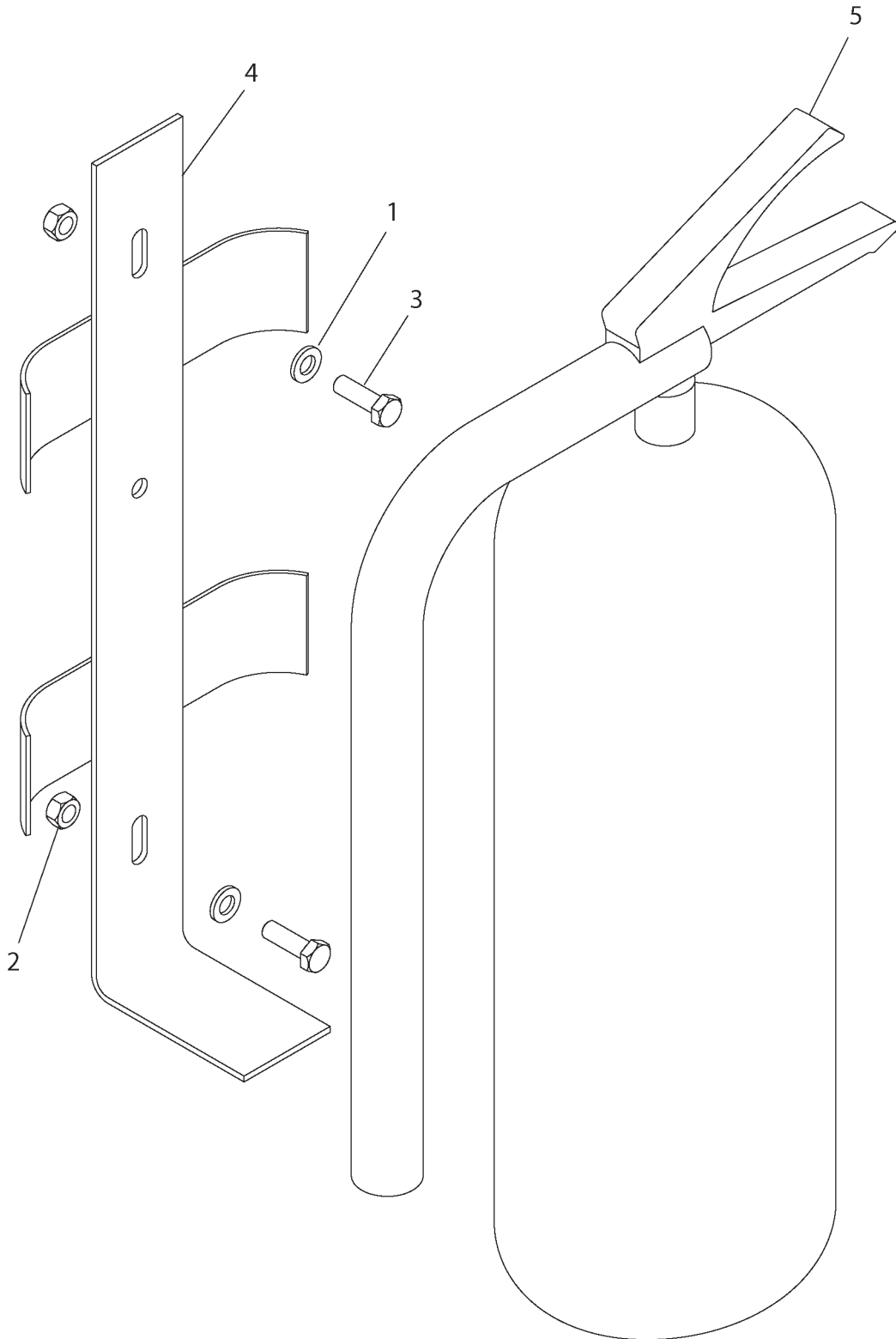
KIT-MOUNTING - 208-7698
FIRE EXTINGUISHER
ROW & SPECIAL

| ITEM | NUMBER | QTY | DESCRIPTION |
|------|----------|-----|------------------------|
| - | 208-7698 | - | KIT MOUNTING |
| 1 | 500505D1 | 1 | BRACKET |
| 2 | 400339X1 | 4 | WASHER-HARD (8.8X16X2) |
| 3 | 400053X1 | 4 | BOLT (M8X1.25X20MM) |

00888925
PR: t05b22n43d0234

MT800B SERIES TRACTORS
FRAME AND BODY

MOUNTING GP-WITH FIRE EXTINGUISHER
501785D1
EAME ONLY



MT800B SERIES TRACTORS
FRAME AND BODY

565

MOUNTING GP-WITH FIRE EXTINGUISHER

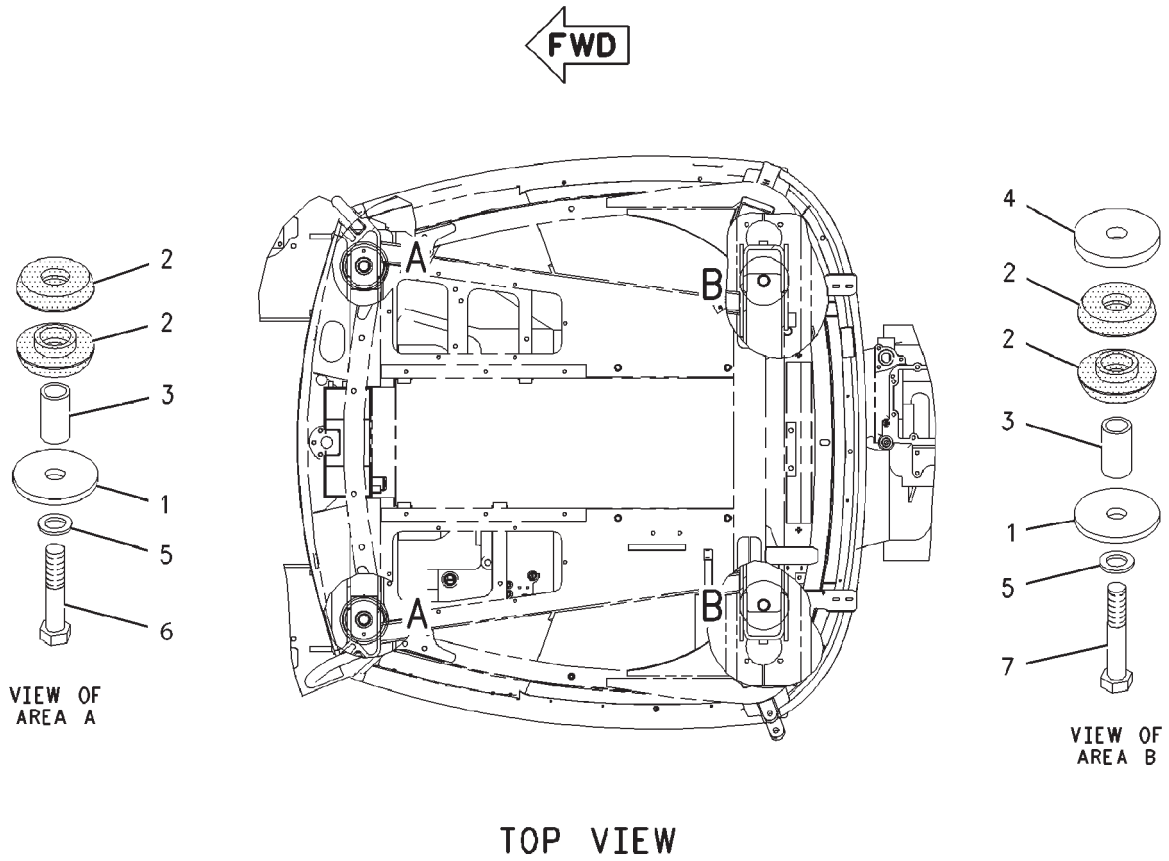
501785D1
EAME ONLY

| ITEM | NUMBER | QTY | DESCRIPTION |
|------|----------|-----|-------------------------------|
| - | 501785D1 | - | MOUNTING GP-FIRE EXTINGUISHER |
| 1 | 400339X1 | 2 | WASHER-HARD |
| 2 | 400340X1 | 2 | NUT |
| 3 | 400341X1 | 2 | BOLT-HEX HD |
| 4 | 501775D1 | 1 | BRACKET-FIRE EXTG |
| 5 | 501785D1 | 1 | EXTENGUISHER-FIRE |

501785DA
PR: t05k07n15a0013

MT800B SERIES TRACTORS
FRAME AND BODY

MOUNTING GP-CAB - 162-4112



**MT800B SERIES TRACTORS
FRAME AND BODY**

567

MOUNTING GP-CAB - 162-4112

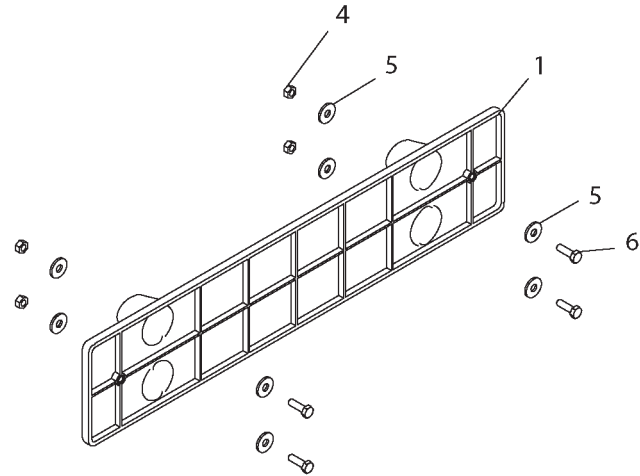
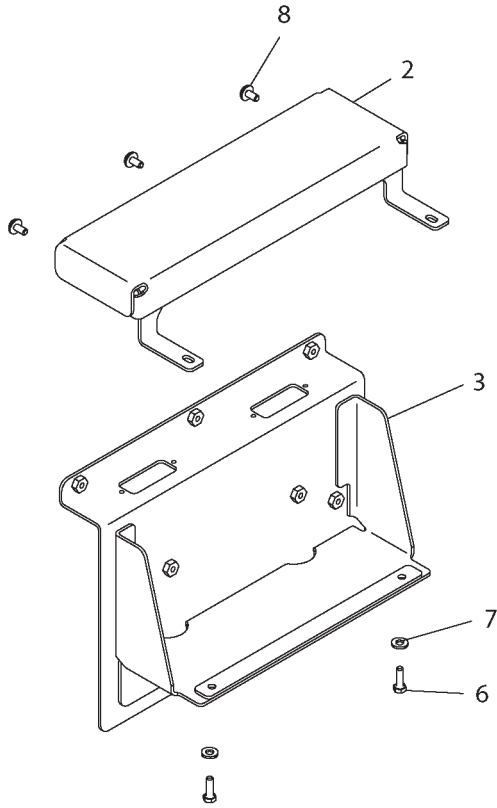
| ITEM | NUMBER | QTY | DESCRIPTION |
|------|------------|-----|------------------------------------|
| - | 162-4112 | - | MOUNTING GP-CAB [A] (NOT SERVICED) |
| 1 | 9U-0512 | 4 | WASHER (12.0) |
| 2 | 117-8131 | 8 | MOUNT |
| 3 | CH144-2179 | 4 | SLEEVE |
| 4 | CH192-5173 | 2 | PLATE |
| 5 | CH7X-0593 | 4 | WASHER-HARD (34X57X6) |
| 6 | 400199X1 | 2 | BOLT (M30X3.5X160) |
| 7 | 400200X1 | 2 | BOLT (M30X3.5X180) |

[A] PART OF 179-1953 CHASSIS AR

00850697
PR: t05b22n43d0235

MT800B SERIES TRACTORS
FRAME AND BODY

MOUNTING GP-BODY - 158-5925
LICENSE PLATE
EAME ONLY



MT800B SERIES TRACTORS
FRAME AND BODY

569

MOUNTING GP-BODY - 158-5925
LICENSE PLATE
EAME ONLY

| ITEM | NUMBER | QTY | DESCRIPTION |
|------|-----------|-----|---|
| - | 158-5925 | - | MOUNTING GP-LICENSE PLATE [A] (NOT SERVICED) |
| 1 | 177-7107 | 1 | PLATE AS.-LICENSE |
| 2 | 221-7640 | 1 | BRACKET AS. |
| 3 | 222-1887 | 1 | BRACKET AS |
| 4 | 400300X1 | 4 | NUT M6X1 |
| 5 | CH5P-4115 | 8 | WASHER-7.2IDX19ODX2MM |
| 6 | 400221X1 | 6 | BOLT-M6X1X20MM ZNDI HHD 10.9 |
| 7 | CH8T-4205 | 2 | WASHER-HARD 7.2IDX14.5ODX2MM |
| 8 | CH9X-2042 | 3 | SCREW-M6X1X12 ORG TORX |

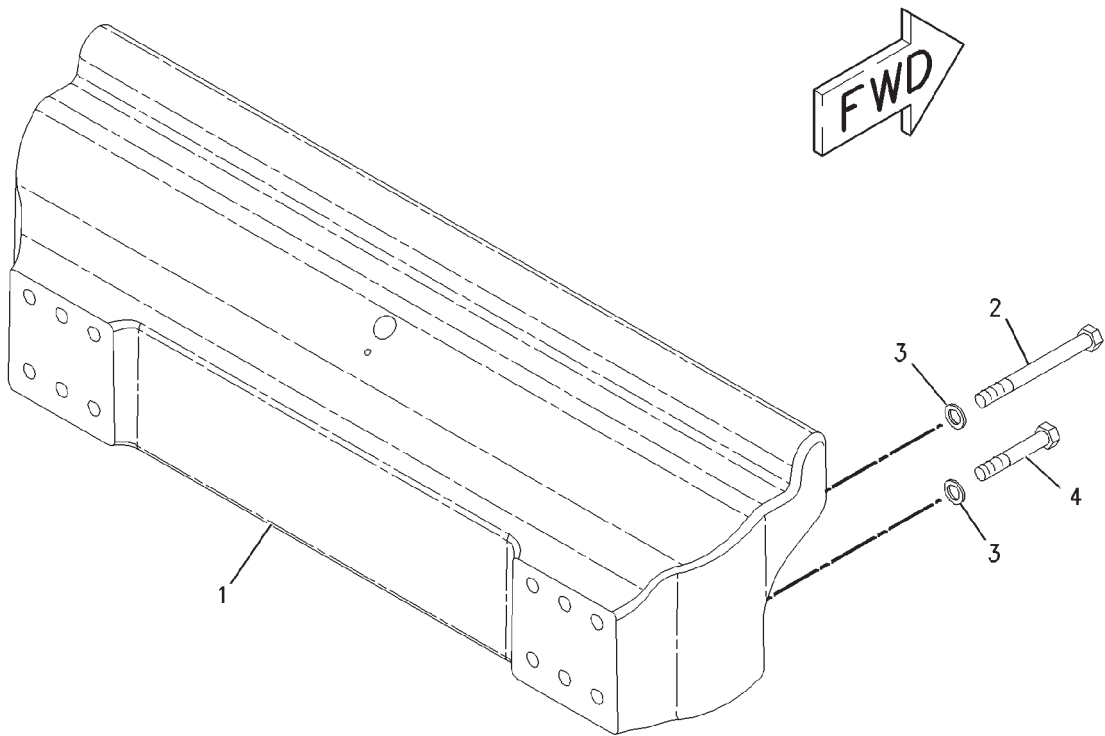
PART OF:
179-2180; 501811D1; 502669D1;
502936D1 BASE COMMON AR

1585925A
PR: t05b22n43d0236

570

MT800B SERIES TRACTORS
FRAME AND BODY

MOUNTING GP-COUNTERWEIGHT - 184-5337
504 KG (1112 LB)



00835473

MT800B SERIES TRACTORS
FRAME AND BODY

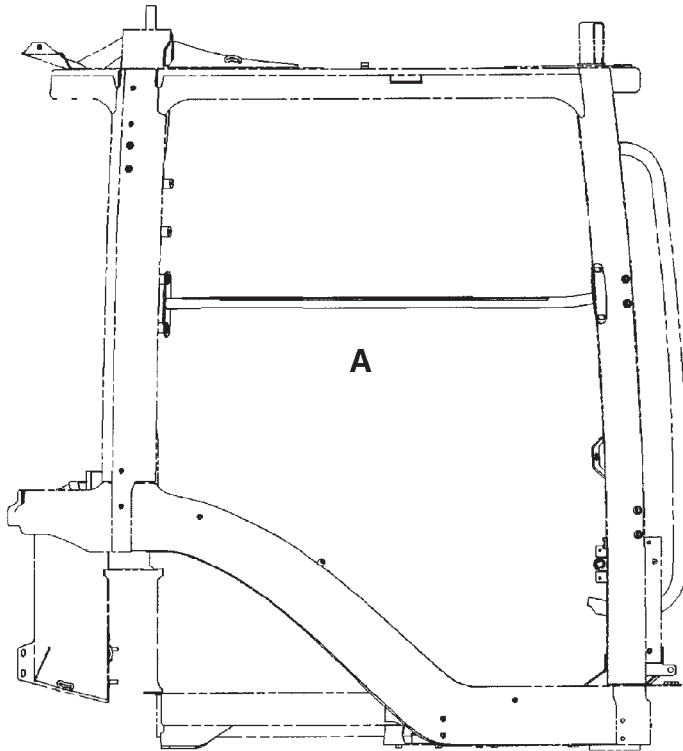
571

MOUNTING GP-COUNTERWEIGHT - 184-5337
504 KG (1112 LB)

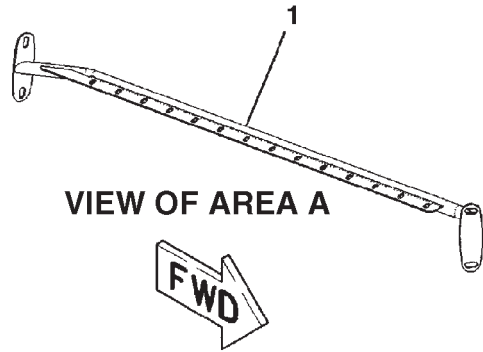
| ITEM | NUMBER | QTY | DESCRIPTION |
|------|----------|-----|--|
| - | 184-5337 | - | MOUNTING GP-COUNTERWGHT (NOT SERVICED) |
| 1 | 184-5356 | 1 | BRACKET |
| 2 | 400194X1 | 6 | BOLT (M20X2.5X180MM) |
| 3 | 400080X1 | 12 | WASHER-PLATED (22X35X3.5) |
| 4 | 400236X1 | 6 | BOLT (M20X2.5X120MM) |

00835473
PR: t05b22n43d0237

MOUNTING GP-MONITOR - 222-7965



RIGHT SIDE VIEW



VIEW OF AREA A

MT800B SERIES TRACTORS
FRAME AND BODY

573

MOUNTING GP-MONITOR - 222-7965

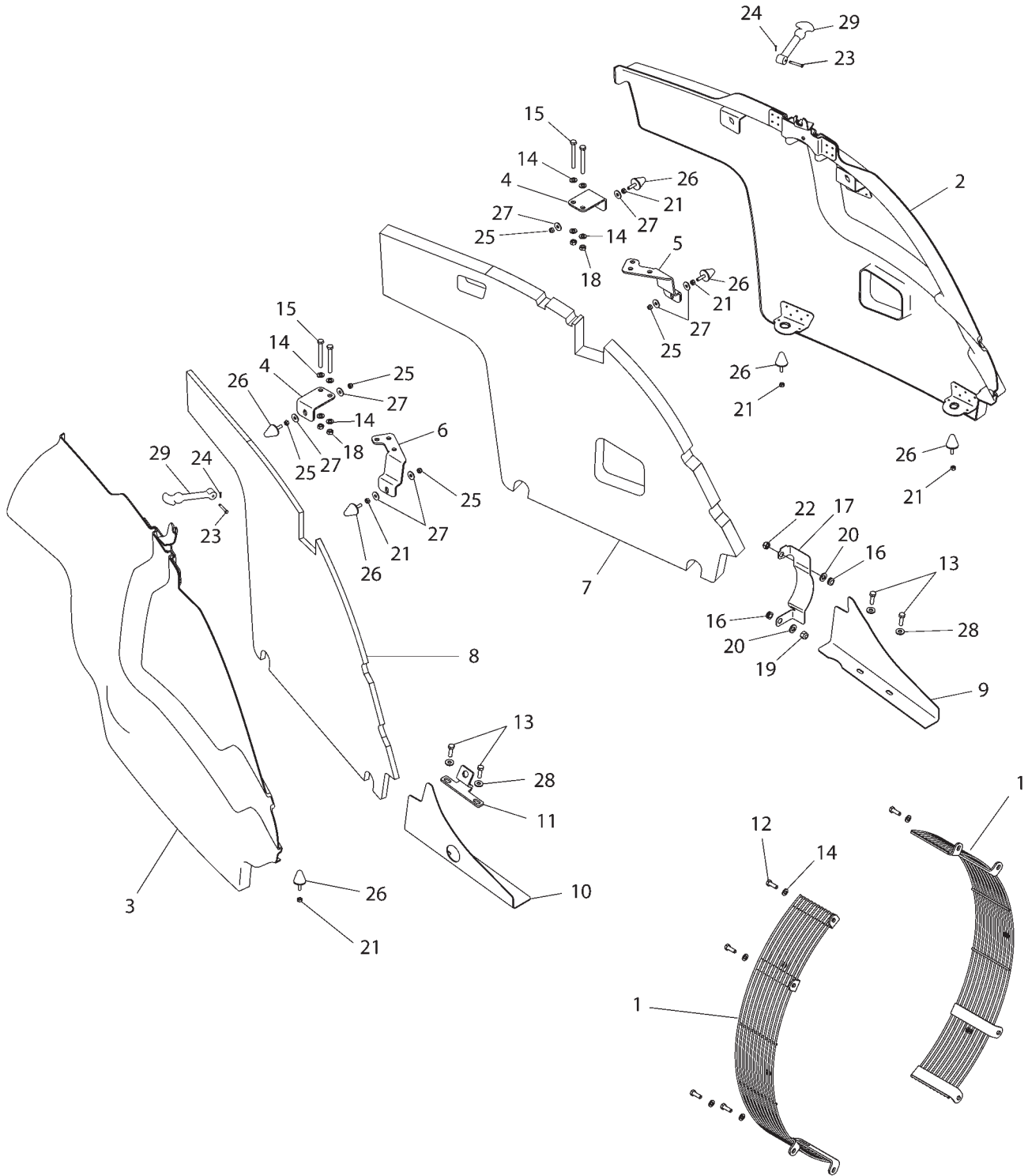
| ITEM | NUMBER | QTY | DESCRIPTION |
|------|-----------|-----|--|
| - | 222-7965 | - | MOUNTING GP-MONITOR [A] (NOT SERVICED) |
| 1 | 215-8364 | 1 | TUBE ASM |
| | CH6V-5839 | 2 | WASHER (11IDX21X2.5MM)(NOT SHOWN) |
| | CH9X-2040 | 2 | SCREW-TRS HD (M10X1.5X20)(NOT SHOWN) |
| | CH9X-2041 | 2 | SCREW-TRS HD (M10X1.5X25)(NOT SHOWN) |

[A] PART OF 501605D1; 501606D1;
501607D1; 501608D1; 501609D1
BASE UNIT AR;
502778D1; 502798D1 MTG GP-MONITOR

0894860A
PR: t05b22n43d0238

MT800B SERIES TRACTORS
FRAME AND BODY

ENCLOSURE GP - 502055D1



502055DC

**MT800B SERIES TRACTORS
FRAME AND BODY**

575

ENCLOSURE GP - 502055D1

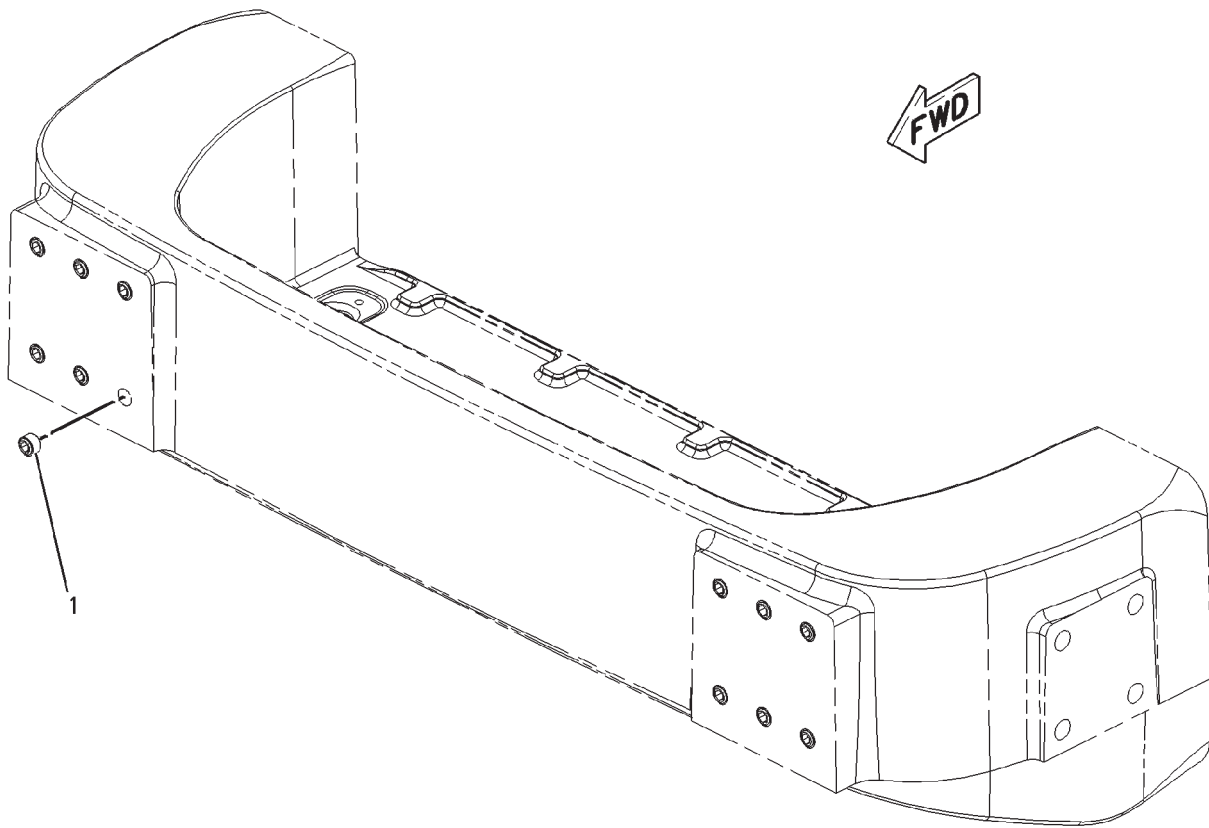
| ITEM | NUMBER | QTY | DESCRIPTION |
|------|-----------|-----|--------------------------------|
| - | 502055D1 | - | ENCLOSURE GP (NOT SERVICED) |
| 1 | 204-5043 | 2 | GUARD AS.-FAN |
| 2 | 210-4348 | 1 | PANEL AS.-LH |
| 3 | 502049D1 | 1 | PANEL AS-RH |
| 4 | 210-4406 | 2 | BRACKET |
| 5 | 210-4407 | 1 | BRACKET-LH |
| 6 | 210-4408 | 1 | BRACKET-RH |
| 7 | 210-4411 | 1 | INSULATION-LH |
| 8 | 210-4412 | 1 | INSULATION-RH |
| 9 | 210-4421 | 1 | BRACKET |
| 10 | 216-6285 | 1 | BRACKET |
| 11 | 225-8514 | 1 | PLATE |
| 12 | 400058X1 | 6 | BOLT-M10X1.5X30 ZNDI HHD 10.9 |
| 13 | 400059X1 | 2 | BOLT-M10X1.5X35 ZNDI HHD 10.9 |
| 13 | 400059X1 | 2 | BOLT-M10X1.5X35 ZNDI HHD 10.9 |
| 14 | 400287X1 | 14 | WASHER-HARD 11IDX21ODX2.5 ZND1 |
| 15 | 400225X1 | 4 | BOLT-M10X1.5X90 ZNDI HHD 10.9 |
| 16 | 400275X1 | 2 | GROMMET |
| 17 | 501205D1 | 1 | GUARD-ALTERNATOR |
| 18 | 7774664 | 4 | NUT-M10-1.5,CL10.9,ZN,H,REG |
| 19 | AG601152 | 1 | NUT 0.50-13NC HEX ZN REG NY |
| 20 | 400357X1 | 2 | WASHER-HARD-M12X25.50DX3THK |
| 21 | 400682X1 | 4 | NUT 5/16-18 THD 6.75 |
| 22 | CH1K-6872 | 1 | LOCKNUT-1/2-13 THD |
| 23 | CH2M-5795 | 2 | PIN-CLEVIS-6.22DIA X 42 ZN |
| 24 | CH3B-4607 | 2 | PIN-COTTER 2.38DIA X 12.7 STL |
| 25 | CH3E-9860 | 4 | LOCKNUT-5/16-18 ZNDI |
| 26 | CH3W-7412 | 8 | BUMPER-RUB CONE 5/16-18X32 STD |
| 27 | CH7X-0579 | 8 | WASHER-HARD 8.8IDX25.5ODX2 |
| 28 | CH7X-7729 | 2 | WASHER-11IDX5ODX3MM |
| 28 | CH7X-7729 | 2 | WASHER-11IDX5ODX3MM |
| 29 | CH9M-3835 | 2 | LATCH-RUBBER T-BALL |

502055DC
PR: t05b22n43d0239

576

MT800B SERIES TRACTORS
FRAME AND BODY

PLUG GP-COUNTERWEIGHT - 183-5789
COMPLETING



00851420

MT800B SERIES TRACTORS
FRAME AND BODY

577

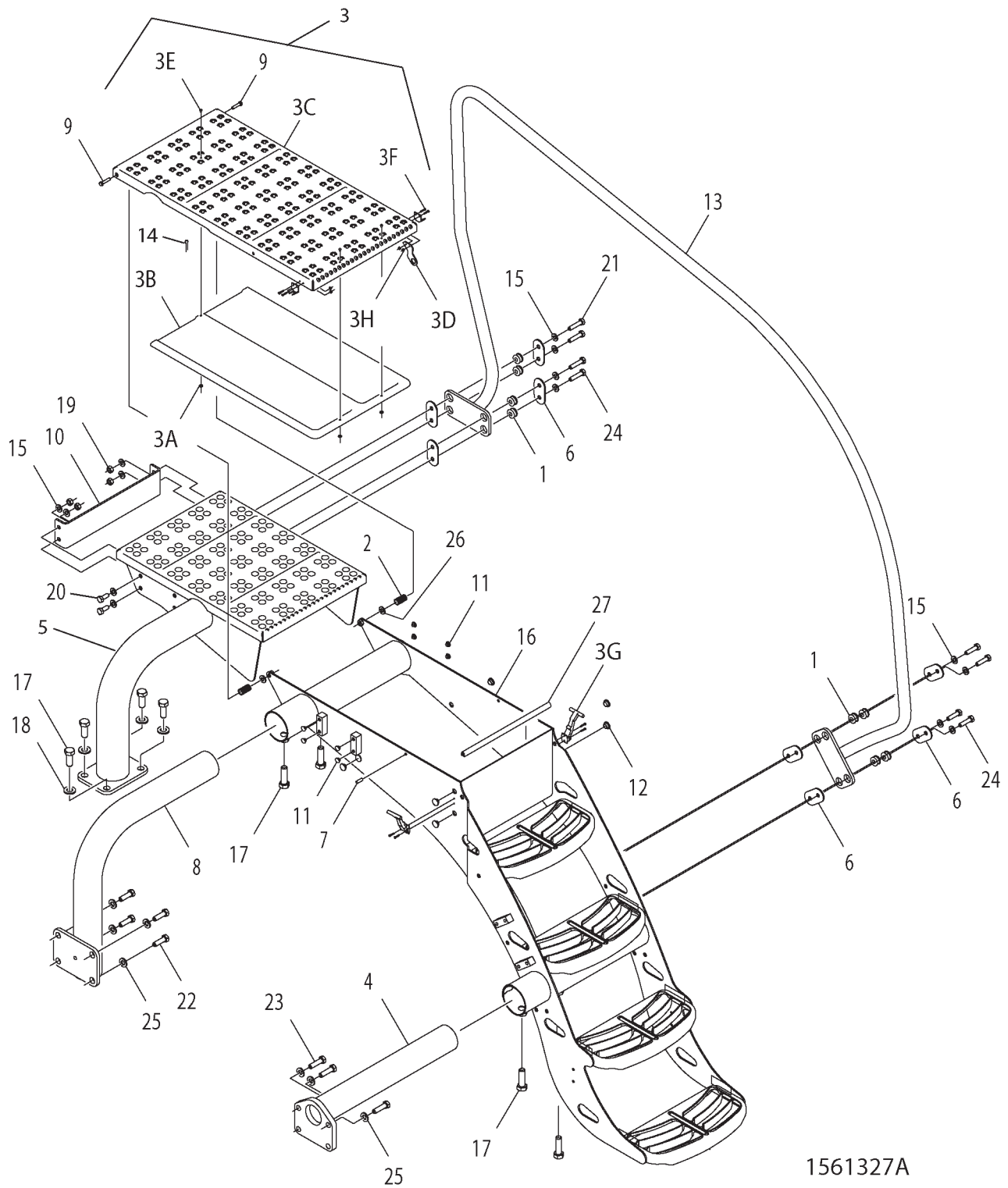
PLUG GP-COUNTERWEIGHT - 183-5789
COMPLETING

| ITEM | NUMBER | QTY | DESCRIPTION |
|------|----------|-----|--------------------------------------|
| - | 183-5789 | - | PLUG GP-COUNTERWEIGHT (NOT SERVICED) |
| 1 | 400090X1 | 12 | PLUG |

00851420
PR: t05b22n43d0240

MT800B SERIES TRACTORS
FRAME AND BODY

STEP GP - 156-1327



1561327A

**MT800B SERIES TRACTORS
FRAME AND BODY**

579

STEP GP - 156-1327

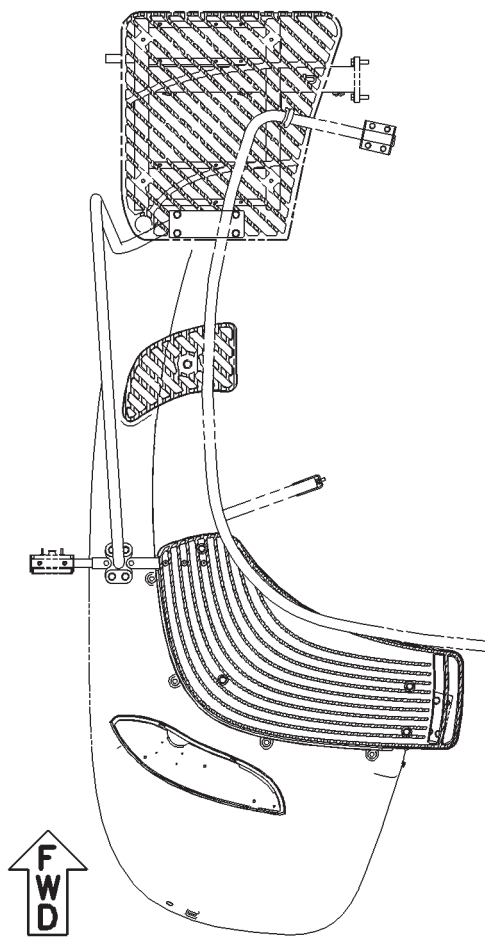
| ITEM | NUMBER | QTY | DESCRIPTION |
|------|------------|-----|--|
| - | 156-1327 | - | STEP GP [A] (NOT SERVICED) |
| 1 | CH6N-6984 | 8 | MOUNTING |
| 2 | CH7V-0445 | 2 | SPRING-COMP 15.24 OD X 19.05 |
| 3 | 173-2743 | 1 | STEP AS-TOP DECK (NOT SERVICED) |
| 3A | CH6K-3274 | 3 | (ORDER 3A-3H) PLATE-RIVET 3.3 X 9.5 X 1.5 |
| 3B | 170-5765 | 1 | SHIELD |
| 3C | 173-2744 | 1 | STEP-TOP |
| 3D | 192-0976 | 1 | PLATE-LOCK TAB |
| 3E | CH103-8089 | 3 | RIVET-BL 3.18 X 6.38-7.92 GRIP |
| 3F | CH1H-8289 | 8 | SCREW-PAN 5-40 THD SLOTTED |
| 3G | CH118-0772 | 2 | LATCH AS-T BALL |
| 3H | CH3K-9089 | 8 | NUT-SELF LOCKING 5-40-3B THD |
| 4 | 183-7892 | 1 | PIPE AS-FRONT |
| 5 | 183-7894 | 1 | STEP AS |
| 6 | 203-9200 | 6 | PLATE |
| 7 | 204-9922 | 1 | ROD |
| 8 | 208-7525 | 1 | PIPE AS. -REAR |
| 9 | 400015X1 | 2 | BOLT-M8X1.25X33 ZNDI HSHD 12.9 |
| 13 | 220-2730 | 1 | TUBE AS-HANDRAIL |
| 10 | 225-8861 | 1 | BRACKET |
| 20 | 400039X1 | 2 | BOLT-M10X1.5X25 ZNDI HHD 10.9 |
| 21 | 400049X1 | 2 | BOLT-M10X1.5X45 ZNDI HHD 10.9 |
| 22 | 400050X1 | 4 | BOLT-M12X1.75X40 ZNDI HHD 10.9 |
| 23 | 400051X1 | 3 | BOLT-M12X1.75X45 ZNDI HHD 10.9 |
| 24 | 400052X1 | 6 | BOLT-M10X1.5X40 ZNDI HHD 10.9 |
| 17 | 400191X1 | 8 | BOLT-M16X2X40MM ZNDI HHD 10.9 |
| 15 | 400287X1 | 16 | WASHER-HARD 11IDX21ODX2.5 ZND1 |
| 26 | 400339X1 | 2 | WASHER-HARD |
| 25 | 400357X1 | 7 | WASHER-HARD-M12X25.50DX3THK |
| 16 | 500441D2 | 1 | STEP AS |
| 11 | CH193-5914 | 12 | PLUG-PROTECTIVE PLASTIC,M10 |
| 12 | CH193-5916 | 6 | PLUG-PROTECTIVE PLASTIC M16 |
| 14 | CH3B-4610 | 1 | PIN-COTTER 2.38 DIA X 22.2MM STL |
| 18 | CH8T-4122 | 4 | WASHER HARD-17IDX32ODX3.5MM |
| 27 | WR513654 | 1 | EDGE LINER .19" TK MAT PVC (33CM) |
| 19 | 7774664 | 6 | NUT-M10-1.5,CL10.9,ZN,H,REG |

[A] PART OF 179-1953 CHASSIS AR

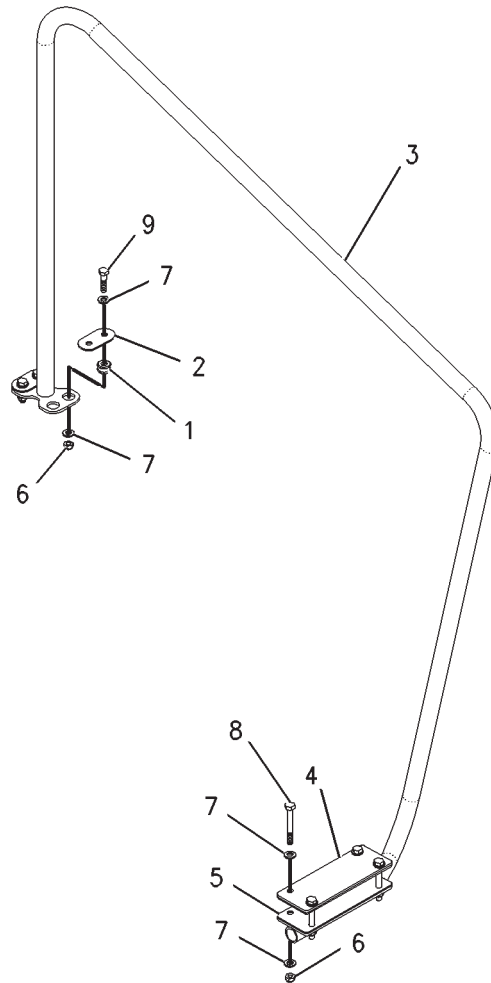
1561327A
PR: t05b22n43d0241

MT800B SERIES TRACTORS
FRAME AND BODY

HANDHOLD GP - 221-8534
EAME ONLY



TOP VIEW



MT800B SERIES TRACTORS
FRAME AND BODY

581

HANDHOLD GP - 221-8534
EAME ONLY

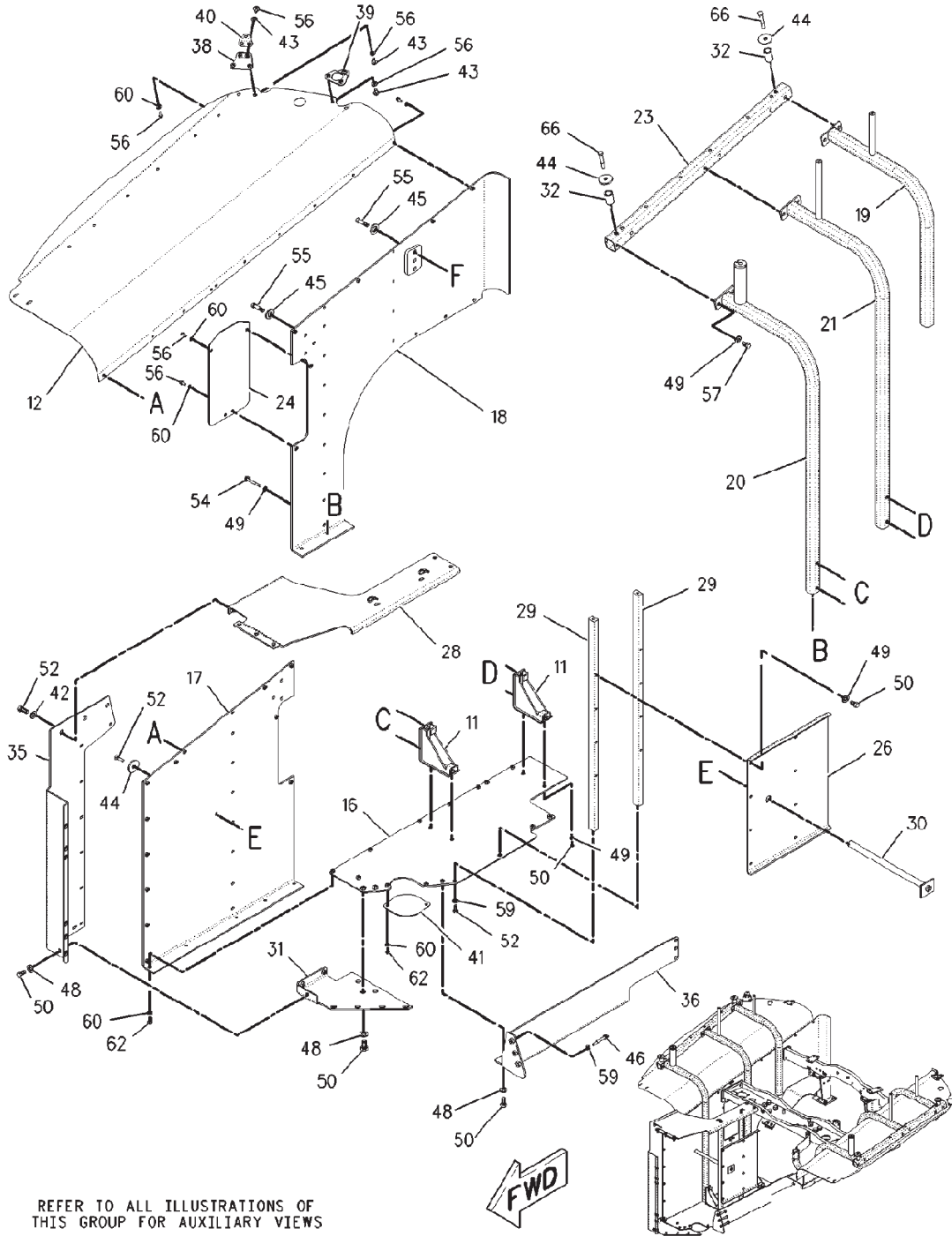
| ITEM | NUMBER | QTY | DESCRIPTION |
|------|-----------|-----|--------------------------------|
| - | 221-8534 | - | HANDHOLD GP [A] (NOT SERVICED) |
| 1 | CH6N-6984 | 4 | MOUNT |
| 2 | 203-9200 | 2 | PLATE |
| 3 | 221-8535 | 1 | HANDHOLD AS |
| 4 | 221-8536 | 1 | PLATE |
| 5 | 221-8537 | 2 | INSULATION |
| 6 | CH6V-7744 | 8 | LOCKNUT (M10X1.5 THD) |
| 7 | 400287X1 | 16 | WASHER-HARD (11X21X2.5MM THK) |
| 8 | 400044X1 | 4 | BOLT (M10X1.50X80MM) |
| 9 | 400052X1 | 4 | BOLT (M10X1.5X40MM) |

[A] PART OF 179-2180; 501811D1;
502936D1 BASE COMMON AR

00895637
PR: t05b22n43d0242

MT800B SERIES TRACTORS
FRAME AND BODY

SUPPORT GP-FUEL TANK - 186-5431
1 OF 2



REFER TO ALL ILLUSTRATIONS OF
THIS GROUP FOR AUXILIARY VIEWS

**MT800B SERIES TRACTORS
FRAME AND BODY**

583

**SUPPORT GP-FUEL TANK - 186-5431
1 OF 2**

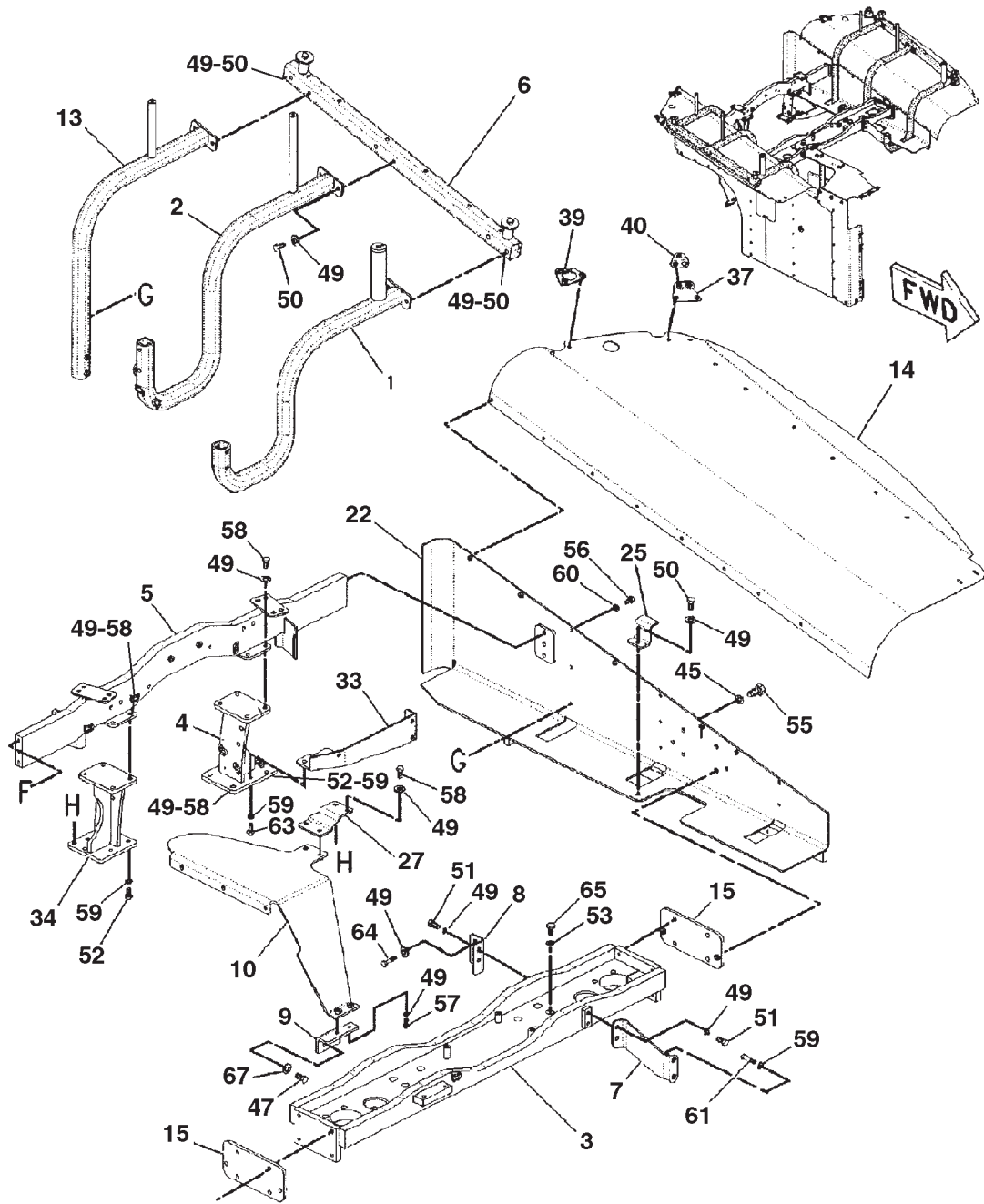
| ITEM | NUMBER | QTY | DESCRIPTION |
|------|-----------|-----|--|
| - | 186-5431 | - | SUPPORT GP-FUEL TANK [A] (NOT SERVICED) |
| 11 | 210-7529 | 2 | PLATE ASM |
| | CH8T-3490 | 4 | NUT-WELD (M10X1.5) |
| 12 | 188-0773 | 1 | SHIELD |
| 16 | 188-0777 | 1 | PLATE ASM (RH) (TANK SUPPORT) (INCLUDES NUT-WELD AND PLATE) |
| | CH8T-3490 | 5 | NUT-WELD (M10X1.5) |
| | CH8T-3612 | 10 | NUT-WELD (M8X1.25) |
| 17 | 188-0778 | 1 | SHIELD AS (INCLUDES PLATE AND NUT-WELD) |
| | CH8T-3612 | 12 | NUT-WELD (M8X1.25) |
| 18 | 188-0779 | 1 | SHIELD AS (INCLUDES PLATES & NUT-WELD) |
| | CH8T-3612 | 6 | NUT-WELD (M8X1.25) |
| 19 | 195-0499 | 1 | TUBE AS (INCLUDES PLATE, ROD & TUBE) |
| 20 | 195-0500 | 1 | TUBE AS (INCLUDES PLATE, ROD, TUBE & NUT-WELD) |
| | CH8T-3597 | 1 | NUT-WELD (M12X1.75) |
| 21 | 195-0501 | 1 | TUBE AS (INCLUDES PLATE, ROD & TUBE) |
| 23 | 197-8128 | 1 | SUPPORT |
| 24 | 197-8131 | 1 | SHIELD (RH) |
| 26 | 205-1388 | 1 | PLATE |
| 28 | 205-1394 | 1 | PLATE ASM(INCL. PLATE, LINK & NUT-WELD) |
| | 7T-1099 | 2 | LINK |
| | CH8T-3597 | 3 | NUT-WELD (M12X1.75) |
| 29 | 205-1395 | 2 | BAR |
| 30 | 205-1396 | 1 | PIN ASM (INCLUDES SPACE-BAR & PLATE) |
| 31 | 205-1397 | 1 | SHIELD AS (INCLUDES PLATE & NUT-WELD) |
| | CH8T-3490 | 3 | NUT-WELD (M10X1.5) |
| 32 | 206-4708 | 4 | SPACER (22.2X31.8X50) |
| 35 | 209-0799 | 1 | SHIELD (RH) (FRONT) |
| 36 | 209-0800 | 1 | BRACKET ASM (INCL. BRACKET & NUT-WELD) |
| | CH8T-3490 | 2 | NUT-WELD (M10X1.50) |
| | CH8T-3597 | 4 | NUT-WELD (M12X1.75) |
| 38 | 219-7564 | 1 | BRACKET ASM(INCLUDES PLATE & NUT-WELD) |
| | CH8T-3612 | 4 | NUT-WELD (M8X1.25) |
| 39 | 219-7565 | 2 | BRACKET ASM(INCLUDES PLATE & NUT-WELD) |
| | CH8T-3612 | 2 | NUT-WELD (M8X1.25) |
| 40 | 219-7566 | 2 | BRACKET |
| 41 | 210-2682 | 1 | COVER |
| 42 | 400381X1 | 3 | WASHER-HARD (13.5X30X4) |
| 43 | 400599X1 | 12 | WASHER-HARD (8.8X20.5X2) |
| 44 | 7G-8839 | 5 | SPACER (13.5X57X6) |
| 45 | CH7X-0618 | 14 | WASHER-HARD (13.5X40X5) |
| 46 | 7X-2549 | 3 | BOLT (M12X1.75X100MM) |
| 48 | CH7X-7729 | 9 | WASHER (11X25X3) |
| 49 | 400287X1 | 59 | WASHER-HARD (11X21X2.5) |
| 50 | 8T-4136 | 31 | BOLT (M10X1.5X25MM) |
| 52 | 400041X1 | 33 | BOLT (M12X1.75X30MM) |
| 54 | 8T-4172 | 6 | BOLT (M10X1.50X80MM) |
| 55 | 8T-4183 | 14 | BOLT (M12X1.75X40MM) |
| 56 | 8T-4189 | 72 | BOLT (M8X1.25X20MM) |
| 57 | 400058X1 | 12 | BOLT (M10X1.5X30MM) |
| 59 | 400357X1 | 35 | WASHER-HARD (M12X25.5X3) |
| 60 | 400339X1 | 69 | WASHER-HARD (8.8X16X2) |
| 62 | 400341X1 | 9 | BOLT (M8X1.25X25MM) |
| 66 | 8T-6868 | 4 | BOLT (M12X1.75X80MM) |

[A] PART OF 179-2182 TANK & MTG GP-FUEL

00890185
PR: t05b22n43d0243

MT800B SERIES TRACTORS
FRAME AND BODY

SUPPORT GP-FUEL TANK - 186-5431
2 OF 2



REFER TO ALL ILLUSTRATIONS OF
THIS GROUP FOR AUXILIARY VIEWS

**MT800B SERIES TRACTORS
FRAME AND BODY**

585

**SUPPORT GP-FUEL TANK - 186-5431
2 OF 2**

| ITEM | NUMBER | QTY | DESCRIPTION |
|------|-----------|-----|---|
| - | 186-5431 | - | SUPPORT GP-FUEL TANK [A] (NOT SERVICED) |
| 1 | 187-1062 | 1 | TUBE ASM |
| | 7T-1099 | 1 | LINK |
| | CH8T-3597 | 1 | NUT-WELD (M12X1.75) |
| 2 | 187-1069 | 1 | TUBE ASM |
| | 7T-1099 | 3 | LINK |
| | CH8T-3490 | 2 | NUT-WELD (M10X1.5) |
| 3 | 188-0497 | 1 | BRACKET ASM |
| | 7T-1099 | 4 | LINK |
| | | 1 | BOSS (M10X1.5X39MM) |
| 4 | 188-0762 | 1 | BRACKET ASM |
| | 7T-1099 | 3 | LINK |
| | CH8T-3490 | 8 | NUT-WELD (M10X1.5) |
| | 9R-2821 | 1 | BOSS |
| 5 | 188-0763 | 1 | SUPPORT ASM |
| | 7T-1099 | 3 | LINK |
| 6 | 188-0764 | 1 | SUPPORT AS |
| 7 | 188-0765 | 1 | ARM ASM |
| | CH8T-3597 | 2 | NUT-WELD (M12X1.75) |
| 8 | 188-0766 | 1 | ANGLE |
| 9 | 188-0768 | 1 | BRACKET |
| 10 | 188-0769 | 1 | BRACKET ASM |
| | CH8T-3490 | 7 | NUT-WELD (M10X1.5) |
| 13 | 188-0774 | 1 | TUBE ASM |
| | CH8T-3490 | 2 | NUT-WELD (M10X1.5) |
| 14 | 188-0775 | 1 | SHIELD |
| 15 | 188-0776 | 2 | PLATE ASM |
| | CH8T-3490 | 2 | NUT-WELD (M10X1.5) |
| 22 | 195-0502 | 1 | SUPPORT ASM |
| | CH8T-3490 | 1 | NUT-WELD (M10X1.5) |
| | CH8T-3612 | 5 | NUT-WELD (M8X1.25) |
| 25 | 199-2086 | 1 | BRACKET (LH) |
| 27 | 205-1390 | 1 | BRACKET |
| 33 | 206-4719 | 1 | SUPPORT ASM (ARM) |
| | 7T-1099 | 1 | LINK |
| | CH8T-3490 | 2 | NUT-WELD (M10X1.5) |
| | CH8T-3612 | 1 | NUT-WELD (M8X1.25) |

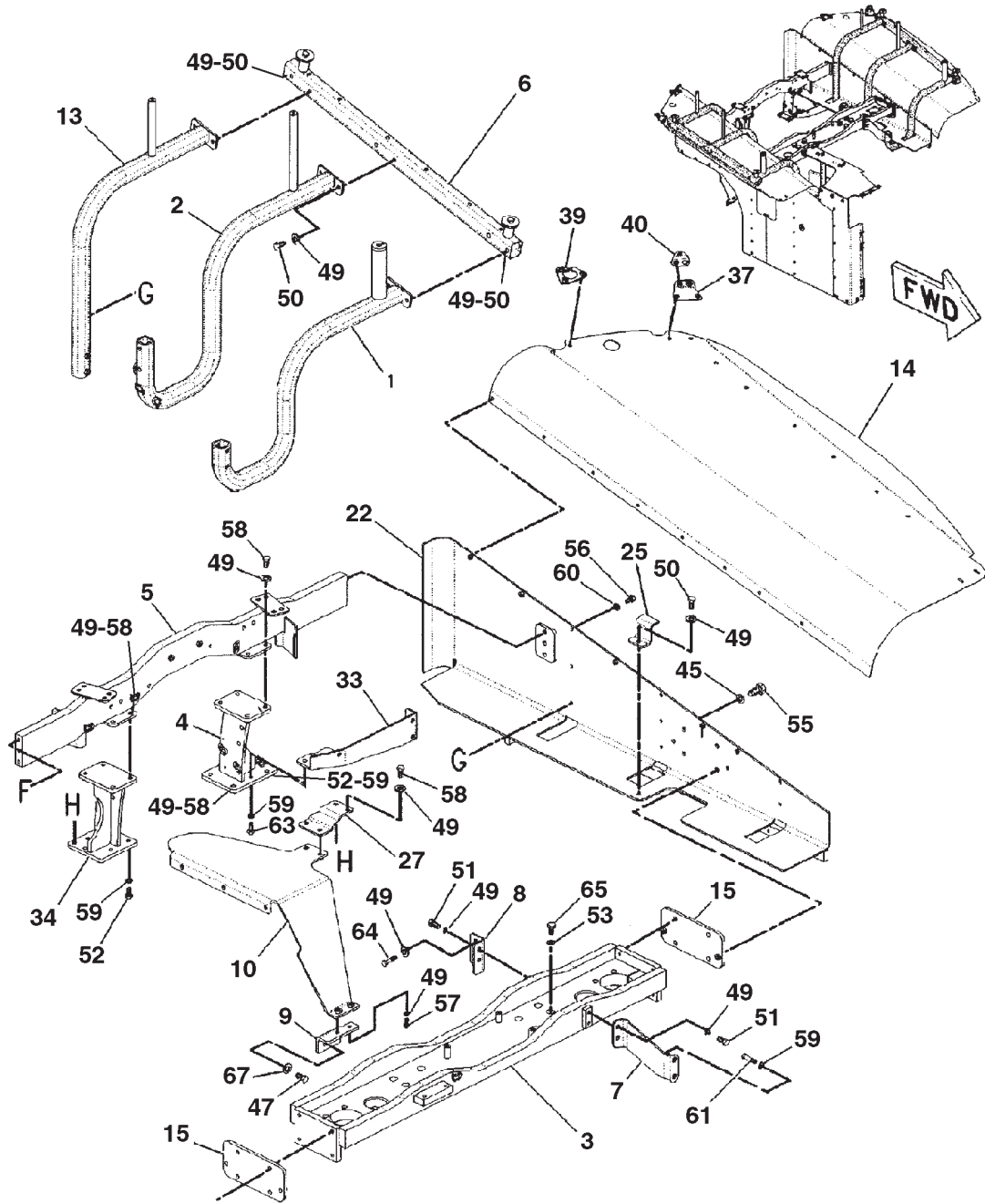
CONTINUED

[A] PART OF 179-2182 TANK & MTG GP-FUEL

0890186A
PR: t05b22n43d0244

MT800B SERIES TRACTORS
FRAME AND BODY

SUPPORT GP-FUEL TANK - 186-5431
2 OF 2



REFER TO ALL ILLUSTRATIONS OF
THIS GROUP FOR AUXILIARY VIEWS

MT800B SERIES TRACTORS
FRAME AND BODY

587

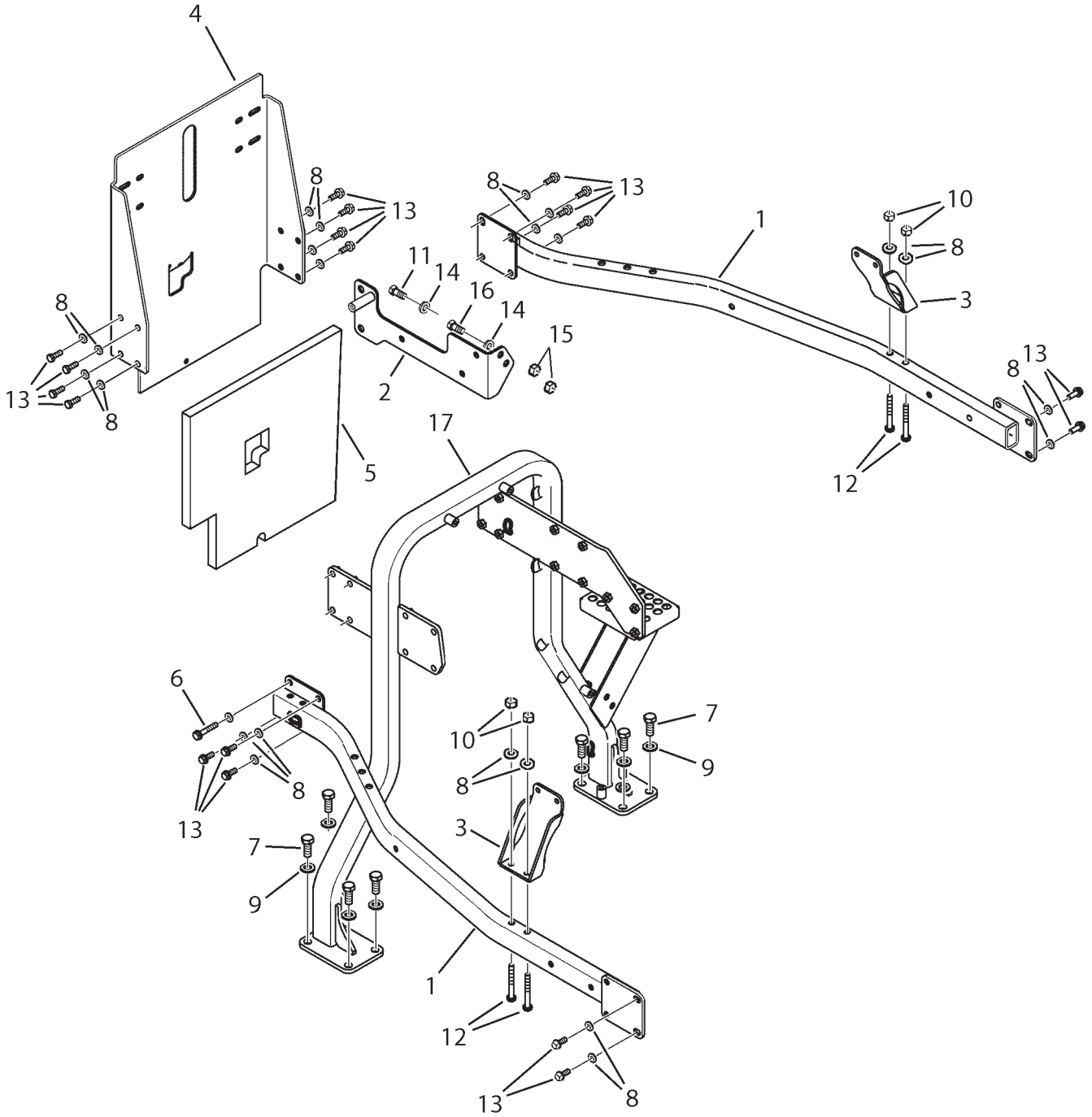
SUPPORT GP-FUEL TANK - 186-5431
2 OF 2

| ITEM | NUMBER | QTY | DESCRIPTION |
|------|-----------|-----|---|
| - | 186-5431 | - | SUPPORT GP-FUEL TANK [A] (NOT SERVICED) |
| 34 | 206-4720 | 1 | BRACKET ASM |
| | CH8T-3490 | 6 | NUT-WELD (M10X1.5) |
| 37 | 219-7563 | 1 | BRACKET ASM |
| | CH8T-3612 | 4 | NUT-WELD (M8X1.25) |
| 39 | 219-7565 | 2 | BRACKET ASM |
| | CH8T-3612 | 2 | NUT-WELD (M8X1.25) |
| 40 | 219-7566 | 2 | BRACKET |
| 47 | 7X-2552 | 2 | BOLT (M16X2X30MM) |
| 49 | 400287X1 | 59 | WASHER-HARD (11X21X2.5) |
| 50 | 8T-4136 | 31 | BOLT (M10X1.5X25MM) |
| 51 | 400040X1 | 4 | BOLT (M10X1.5X20MM) |
| 53 | 400081X1 | 10 | WASHER-HARD (26X44X4) |
| 55 | 8T-4183 | 14 | BOLT (M12X1.75X40MM) |
| 56 | 8T-4189 | 72 | BOLT (M8X1.25X20MM) |
| 57 | 400058X1 | 12 | BOLT (M10X1.5X30MM) |
| 58 | 400059X1 | 13 | BOLT (M10X1.5X35MM) |
| 59 | 400357X1 | 35 | WASHER-HARD (M12X25.5X3) |
| 60 | 400339X1 | 69 | WASHER-HARD (8.8X16X2) |
| 61 | 8T-4648 | 2 | BOLT (M12X1.75X70MM) |
| 63 | 8T-4956 | 1 | BOLT (M12X1.75X35MM) |
| 64 | 8T-5005 | 2 | BOLT (M10X1.50X70MM) |
| 65 | 8T-5878 | 10 | BOLT (M24X3X80MM) |
| 67 | 9X-8257 | 2 | WASHER (17.5X30X3.5) |

[A] PART OF 179-2182 TANK & MTG GP-FUEL

0890186A
PR: t05b22n43d0244

SUPPORT GP-COMPONENT
190-5441



MT800B SERIES TRACTORS
FRAME AND BODY

589

SUPPORT GP-COMPONENT
190-5441

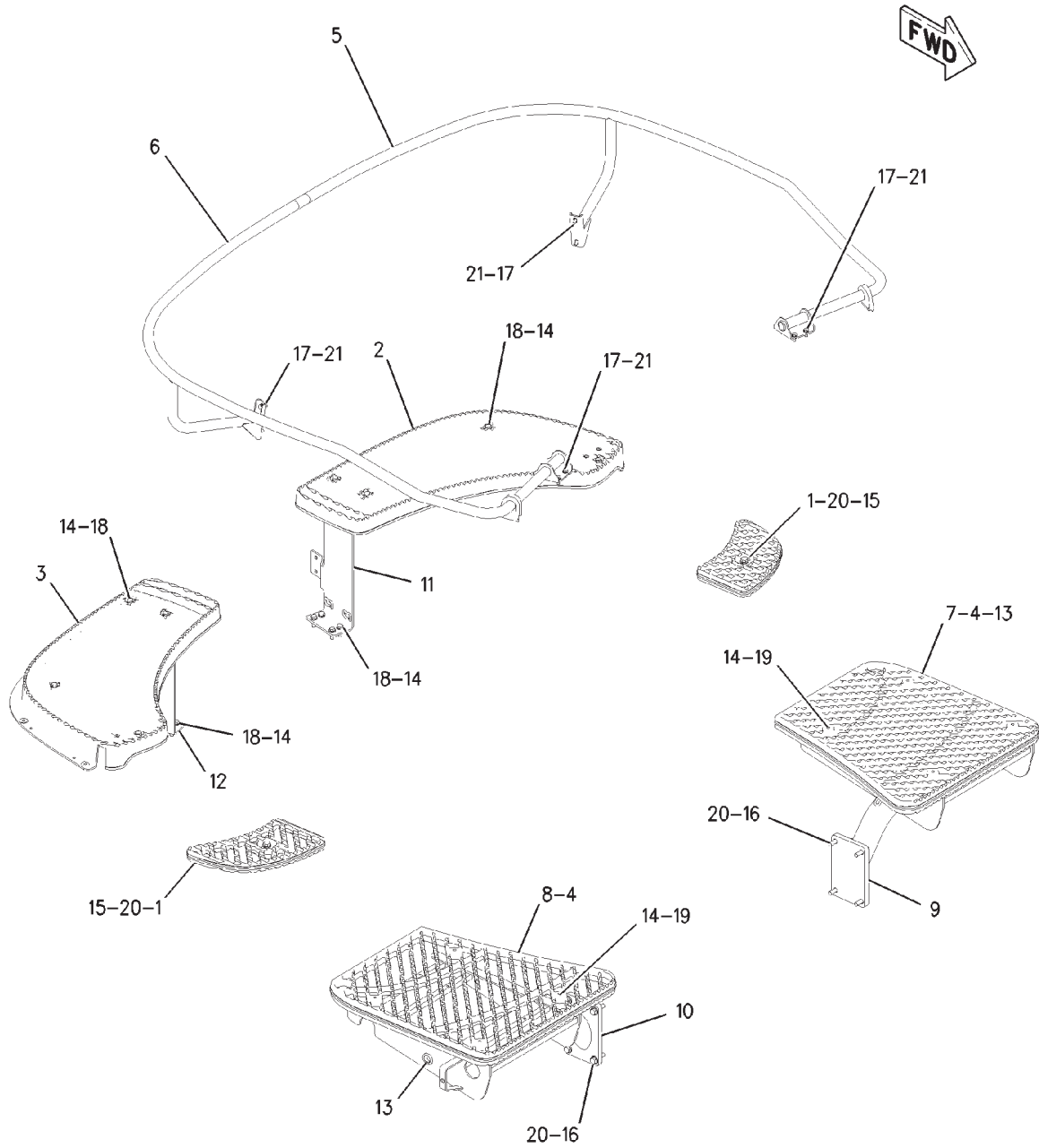
| ITEM | NUMBER | QTY | DESCRIPTION |
|------|-----------|-----|---|
| - | 190-5441 | - | SUPPORT GP-COMPONENT [A] (NOT SERVICED) |
| 1 | 192-6457 | 2 | TUBE AS (SIDE) |
| 2 | 196-7824 | 1 | PLATE AS. |
| 3 | 214-9064 | 2 | BRACKET AS |
| 4 | 226-0921 | 1 | SUPPORT |
| 5 | 502655D1 | 1 | INSULATION-REAR ENGINE |
| 6 | 400143X1 | 1 | BOLT-M10X1.5X60 ZNDI HHD 10.9 |
| 7 | 400191X1 | 8 | BOLT-M16X2X40MM ZNDI HHD 10.9 |
| 8 | 400287X1 | 28 | WASHER-HARD 11IDX21ODX2.5 ZND1 |
| 9 | CH8T-4122 | 8 | WASHER HARD-17IDX32ODX3.5MM |
| 10 | 7774664 | 4 | NUT-M10-1.5,CL10.9,ZN,H,REG |
| 11 | 400041X1 | 3 | BOLT-M12X1.75X30 ZNDI HHD 10.9 |
| 12 | 400225X1 | 4 | BOLT-M10X1.5X90 ZNDI HHD 10.9 |
| 13 | 400058X1 | 19 | BOLT-M10X1.5X30 ZNDI HHD 10.9 |
| 14 | 400357X1 | 4 | WASHER-HARD-M12X25.50DX3THK |
| 15 | CH8T-4244 | 2 | NUT-M12X1.75 HEX ZN |
| 16 | 400050X1 | 1 | BOLT-M12X1.75X40 ZNDI HHD 10.9 |
| 17 | 226-0919 | 1 | TUBE AS.-CMPNT |

PART OF 179-1953 CHASSIS AR

1905441A
PR: t05b22n43d0245

MT800B SERIES TRACTORS
FRAME AND BODY

WALKWAY GP
183-6384



MT800B SERIES TRACTORS
FRAME AND BODY

591

WALKWAY GP
183-6384

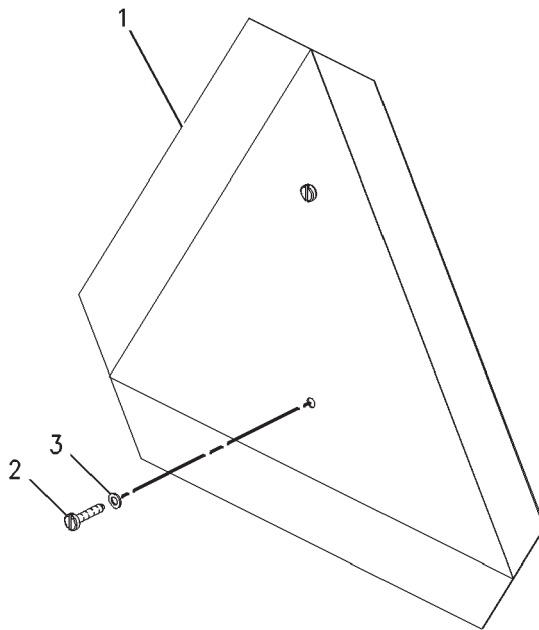
| ITEM | NUMBER | QTY | DESCRIPTION |
|------|-----------|-----|-------------------------------|
| - | 183-6384 | - | WALKWAY GP [A] (NOT SERVICED) |
| 1 | 184-7976 | 2 | STEP |
| 2 | 184-7977 | 1 | PLATFORM (LH) |
| 3 | 184-7978 | 1 | PLATFORM (RH) |
| 4 | 184-7979 | 2 | STEP |
| 5 | 184-7980 | 1 | HANDHOLD LH |
| 6 | 184-7985 | 1 | HANDHOLD RH |
| 7 | 195-2615 | 1 | GROMMET (LH) |
| 8 | 195-2616 | 1 | GROMMET (RH) |
| 9 | 209-9220 | 1 | SUPPORT ASM |
| 10 | 209-9222 | 1 | SUPPORT ASM |
| 11 | 501997D1 | 1 | BRACKET ASM (LH) |
| 12 | 501996D1 | 1 | BRACKET ASM (RH) |
| 13 | CH3D-6209 | 6 | GROMMET |
| 14 | 400287X1 | 24 | WASHER-HARD (11X21X2.5) |
| 15 | 400050X1 | 2 | BOLT (M12X1.75X40MM) |
| 16 | 400051X1 | 8 | BOLT (M12X1.75X45MM) |
| 17 | 400053X1 | 12 | BOLT (M8X1.25X20MM) |
| 18 | 400058X1 | 16 | BOLT (M10X1.5X30MM) |
| 19 | 400059X1 | 8 | BOLT (M10X1.5X35MM) |
| 20 | 400357X1 | 10 | WASHER-HARD (M12X25.5X3) |
| 21 | 400599X1 | 12 | WASHER-HARD (M8X20.5X2) |

[A] PART OF:
179-1952; 501810D1 BASE COMMON AR

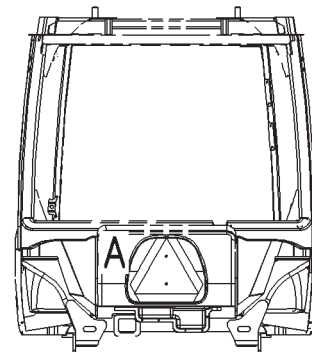
00823178
PR: t05b22n43d0246

MT800B SERIES TRACTORS
FRAME AND BODY

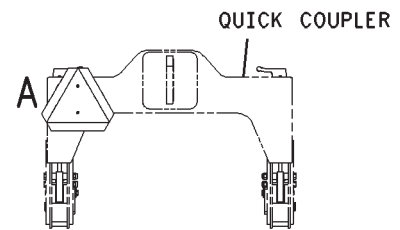
WARNING GP-SLOW MOVING VEHICLE
172-8886



DETAILS OF AREA A



REAR VIEW



REAR VIEW
(ALTERNATE PLACEMENT)

MT800B SERIES TRACTORS
FRAME AND BODY

593

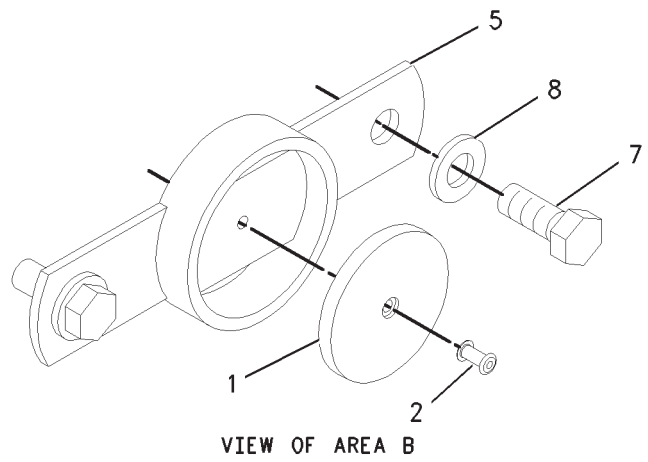
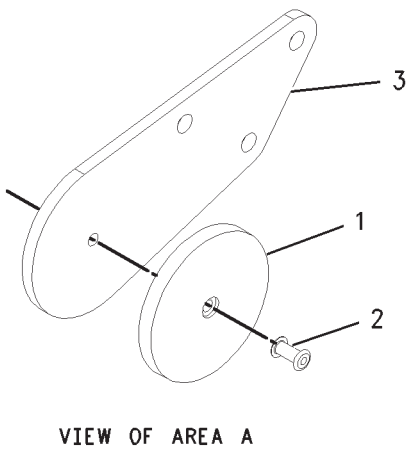
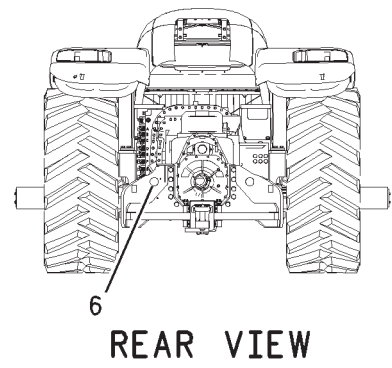
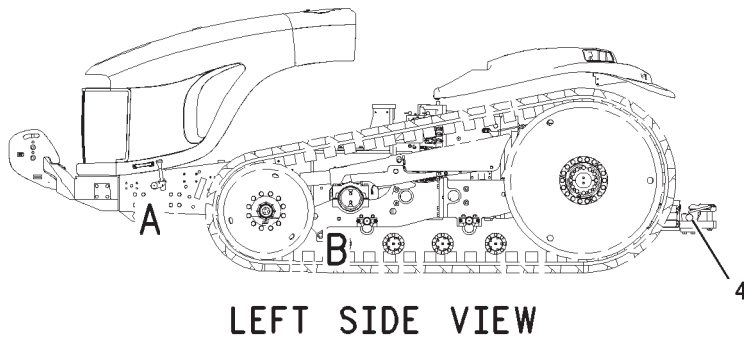
WARNING GP-SLOW MOVING VEHICLE
172-8886

| ITEM | NUMBER | QTY | DESCRIPTION |
|------|------------|-----|--|
| - | 172-8886 | - | WARNING GP-SLOW MOVING VEHICLE (NOT SERVICED) |
| 1 | 400129X2 | 1 | PLATE ASM-WARNING (SLOW MOVING VEHICLE) |
| 2 | CH095-0741 | 2 | SCREW-MACHINE (M6X1THD) |
| 3 | CH216-8275 | 2 | SCREW-PAN HEAD (12-14X1 IN) |
| 4 | 400310X1 | 2 | WASHER (6.6X12X2) |

00877873
PR: t05b22n43d0247

MT800B SERIES TRACTORS
FRAME AND BODY

REFLECTOR GP - 215-7336
FOR USE WITH DRAWBAR
EAME



MT800B SERIES TRACTORS
FRAME AND BODY

595

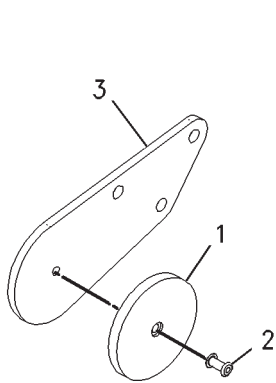
REFLECTOR GP - 215-7336
FOR USE WITH DRAWBAR
EAME

| ITEM | NUMBER | QTY | DESCRIPTION |
|------|----------|-----|--------------------------|
| - | 215-7336 | - | KIT, REFLECTOR |
| 1 | 207-0516 | 6 | REFLECTOR |
| 2 | 4K-9429 | 6 | RIVET |
| 3 | 173-8307 | 2 | BRACKET (FRONT) |
| 4 | 208-3022 | 2 | FILM (YELLOW REFLECTIVE) |
| 5 | 215-7331 | 4 | BRACKET AS (CENTER) |
| 6 | 215-7335 | 2 | FILM (RED REFLECTIVE) |
| 7 | 400041X1 | 8 | BOLT (M12X1.75X30MM) |
| 8 | 400357X1 | 8 | WASHER-HARD (M12X25.5X3) |

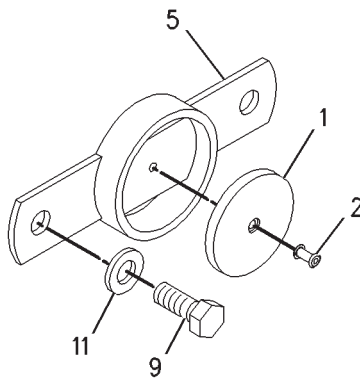
00894260
PR: t05b22n43d0248

MT800B SERIES TRACTORS
FRAME AND BODY

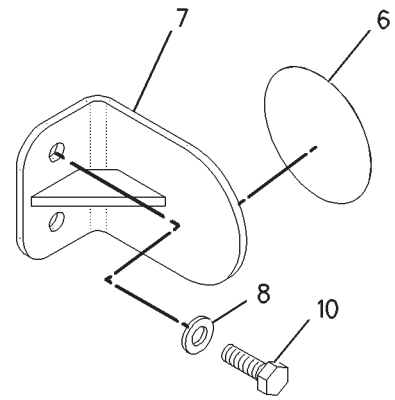
REFLECTOR GP - 215-9580
FOR USE WITH HITCH
EAME



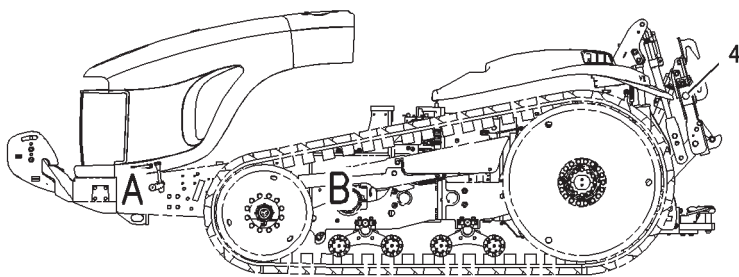
VIEW OF AREA A



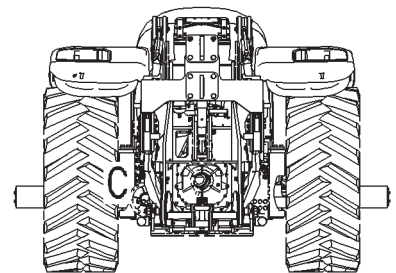
VIEW OF AREA B



VIEW OF AREA C



LEFT SIDE VIEW



REAR VIEW

MT800B SERIES TRACTORS
FRAME AND BODY

597

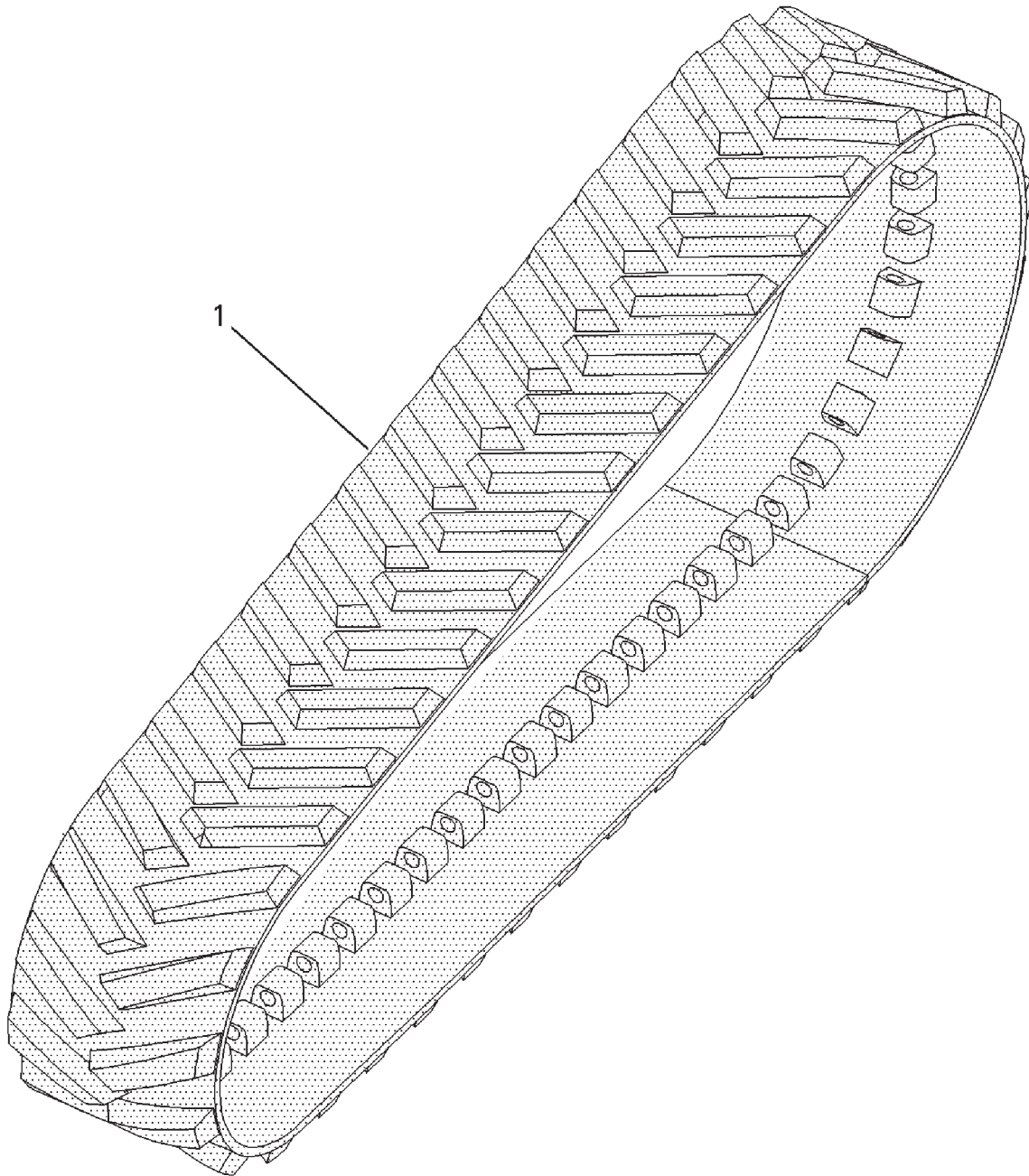
REFLECTOR GP - 215-9580
FOR USE WITH HITCH
EAME

| ITEM | NUMBER | QTY | DESCRIPTION |
|------|----------|-----|--------------------------|
| - | 215-9580 | - | KIT, REFLECTOR |
| 1 | 207-0516 | 6 | REFLECTOR |
| 2 | 4K-9429 | 6 | RIVET |
| 3 | 173-8307 | 2 | BRACKET (FRONT) |
| 4 | 208-3022 | 2 | FILM (YELLOW REFLECTIVE) |
| 5 | 215-7331 | 4 | BRACKET AS (CENTER) |
| 6 | 215-7335 | 2 | FILM (RED REFLECTIVE) |
| 7 | 215-7353 | 2 | BRACKET AS |
| 8 | 400287X1 | 4 | WASHER-HARD (11X21X2.5) |
| 9 | 400041X1 | 8 | BOLT (M12X1.75X30MM) |
| 10 | 400058X1 | 4 | BOLT (M10X1.5X30MM) |
| 11 | 400357X1 | 8 | WASHER-HARD (M12X25.5X3) |

00893300
PR: t05b22n43d0249

MT800B SERIES TRACTORS
TRACK BELTS

BELT AR-GENERAL AP - 156-6077
(699MM/27.5")



MT800B SERIES TRACTORS
TRACK BELTS

599

BELT AR-GENERAL AP - 156-6077
(699MM/27.5")

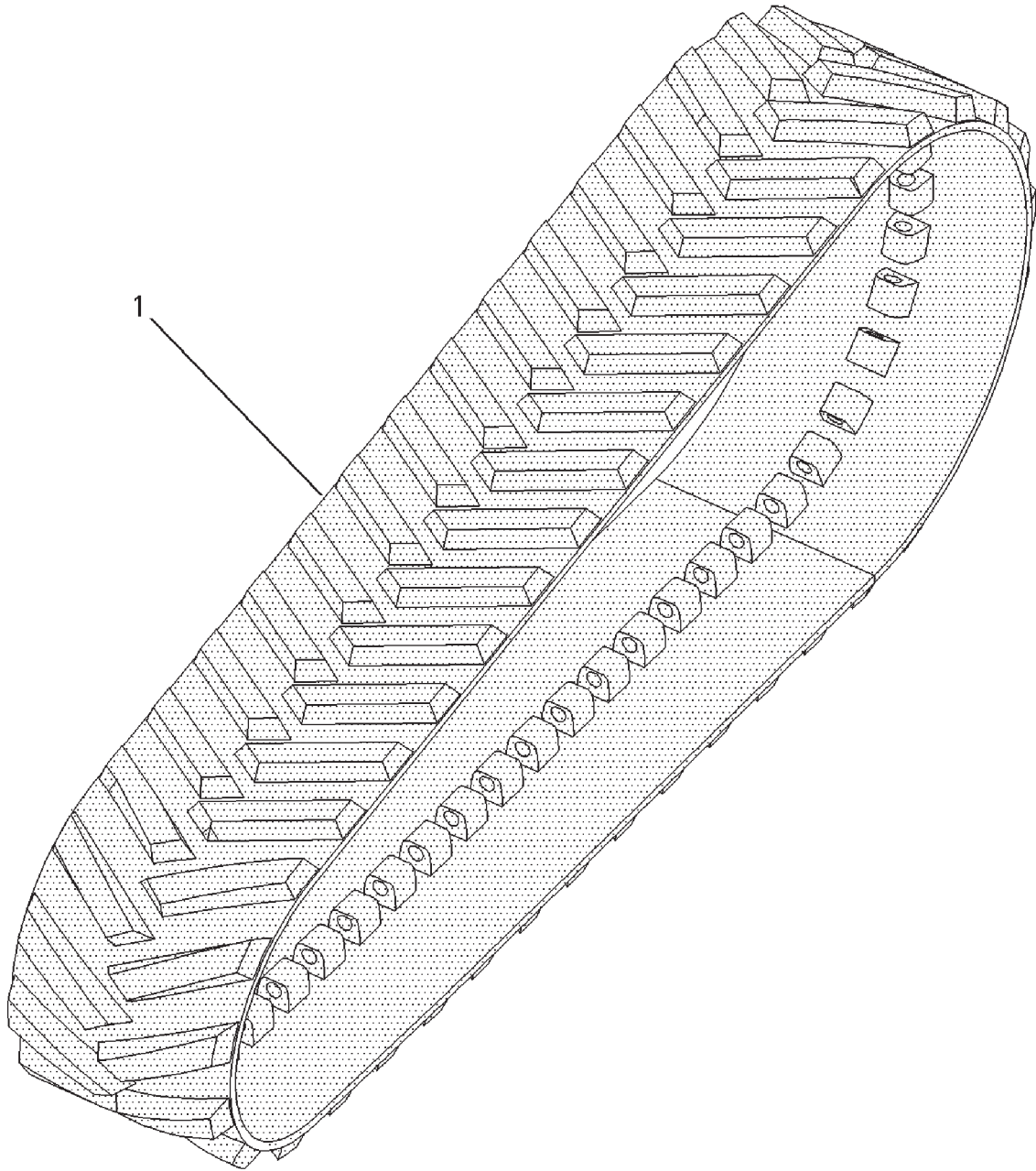
| ITEM | NUMBER | QTY | DESCRIPTION |
|------|----------|-----|-------------------------------------|
| - | 156-6077 | - | BELT AR (ORDER THRU DEALER CENTRAL) |
| 1 | 1R-1265 | 2 | BELT |
| - | 502142D1 | - | BELT AR-FIELD (INCLS 1 OF ITEM 1) |
| - | 502185D1 | - | KIT, BELT REPAIR |
| - | 501739D1 | - | ELASTOMER |
| - | 501742D1 | - | SOLIDIFIER |
| - | 501743D1 | - | BELT CONDITIONER |

00750372
PR: t05b22n43d0250

600

MT800B SERIES TRACTORS
TRACK BELTS

BELT AR-GENERAL AG - 156-6079
(762MM/30")



00750377

MT800B SERIES TRACTORS
TRACK BELTS

601

BELT AR-GENERAL AG - 156-6079
(762MM/30")

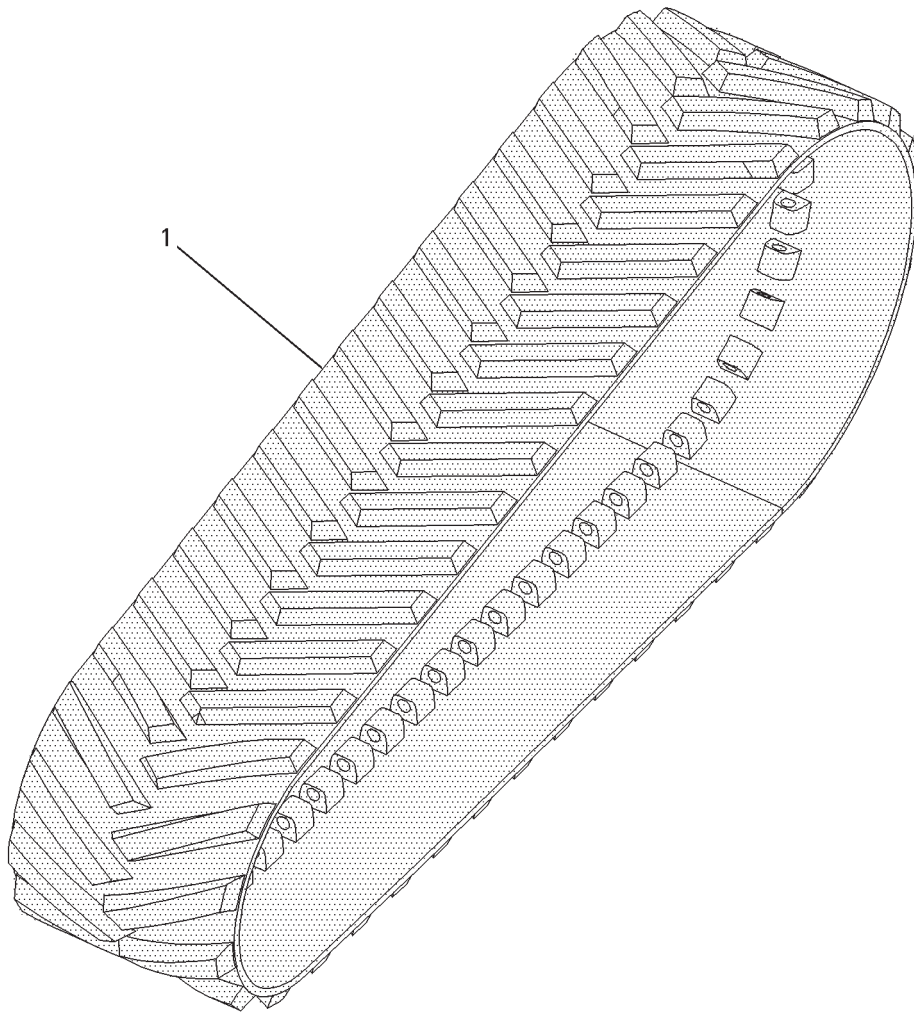
| ITEM | NUMBER | QTY | DESCRIPTION |
|------|----------|-----|-------------------------------------|
| - | 156-6079 | - | BELT AR (ORDER THRU DEALER CENTRAL) |
| 1 | 1R-1266 | 2 | BELT |
| - | 502144D1 | - | BELT AR-FIELD (INCLS 1 OF ITEM 1) |
| - | 502185D1 | - | KIT, BELT REPAIR |
| - | 501739D1 | - | ELASTOMER |
| - | 501742D1 | - | SOLIDIFIER |
| - | 501743D1 | - | BELT CONDITIONER |

00750377
PR: t05b22n43d0251

602

MT800B SERIES TRACTORS
TRACK BELTS

BELT AR-GENERAL AG - 156-6082
(914MM/36")



00750562

MT800B SERIES TRACTORS
TRACK BELTS

603

BELT AR-GENERAL AG - 156-6082
(914MM/36")

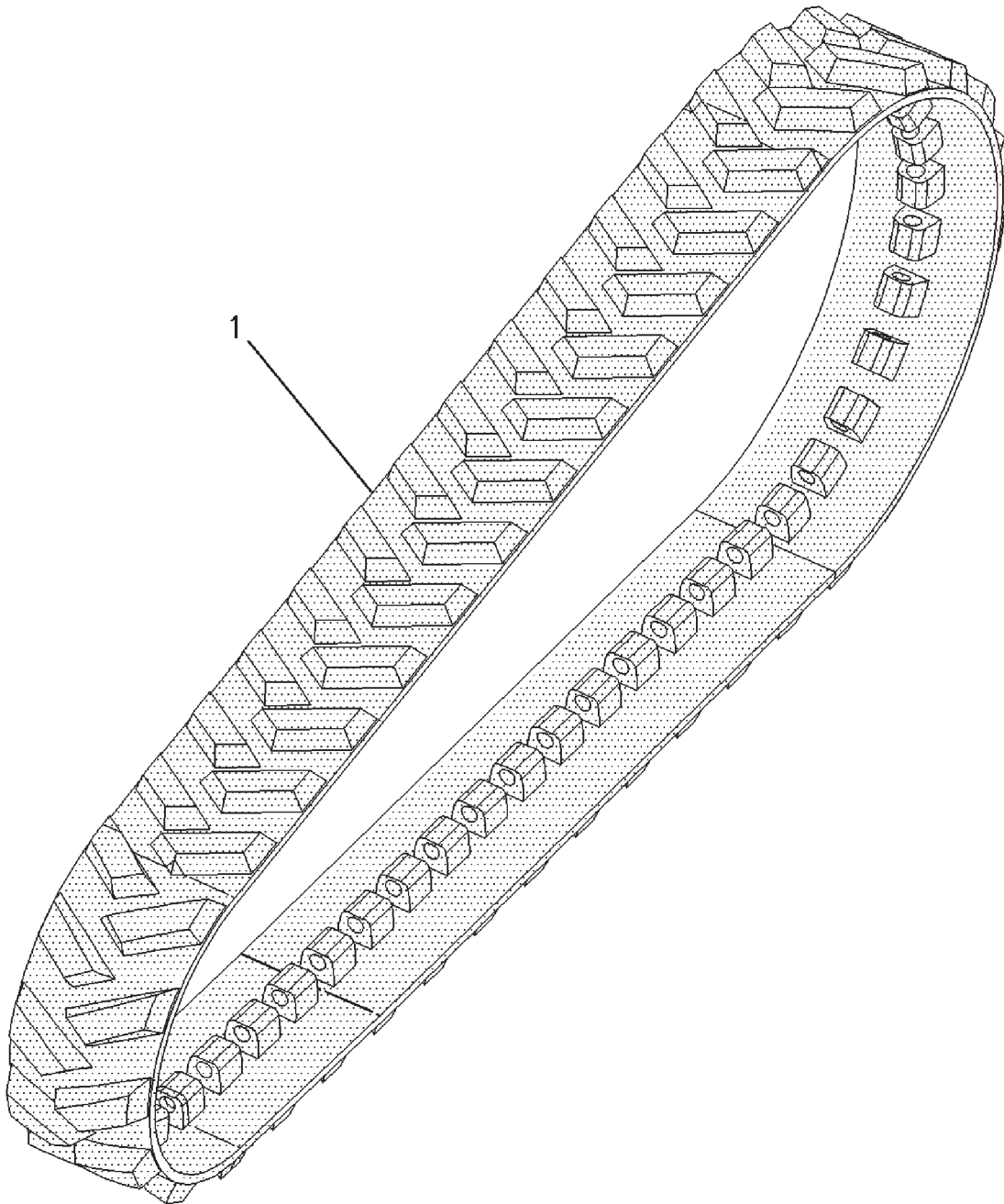
| ITEM | NUMBER | QTY | DESCRIPTION |
|------|----------|-----|-------------------------------------|
| - | 156-6082 | - | BELT AR (ORDER THRU DEALER CENTRAL) |
| 1 | 1R-1267 | 2 | BELT |
| - | 502146D1 | - | BELT AR-FIELD (INCLS 1 OF ITEM 1) |
| - | 502185D1 | - | KIT, BELT REPAIR |
| - | 501739D1 | - | ELASTOMER |
| - | 501742D1 | - | SOLIDIFIER |
| - | 501743D1 | - | BELT CONDITIONER |

00750562
PR: t05b22n43d0252

604

MT800B SERIES TRACTORS
TRACK BELTS

BELT AR-EXTREME AP - 156-6075
(457MM/18")



00750379

MT800B SERIES TRACTORS
TRACK BELTS

605

BELT AR-EXTREME AP - 156-6075
(457MM/18")

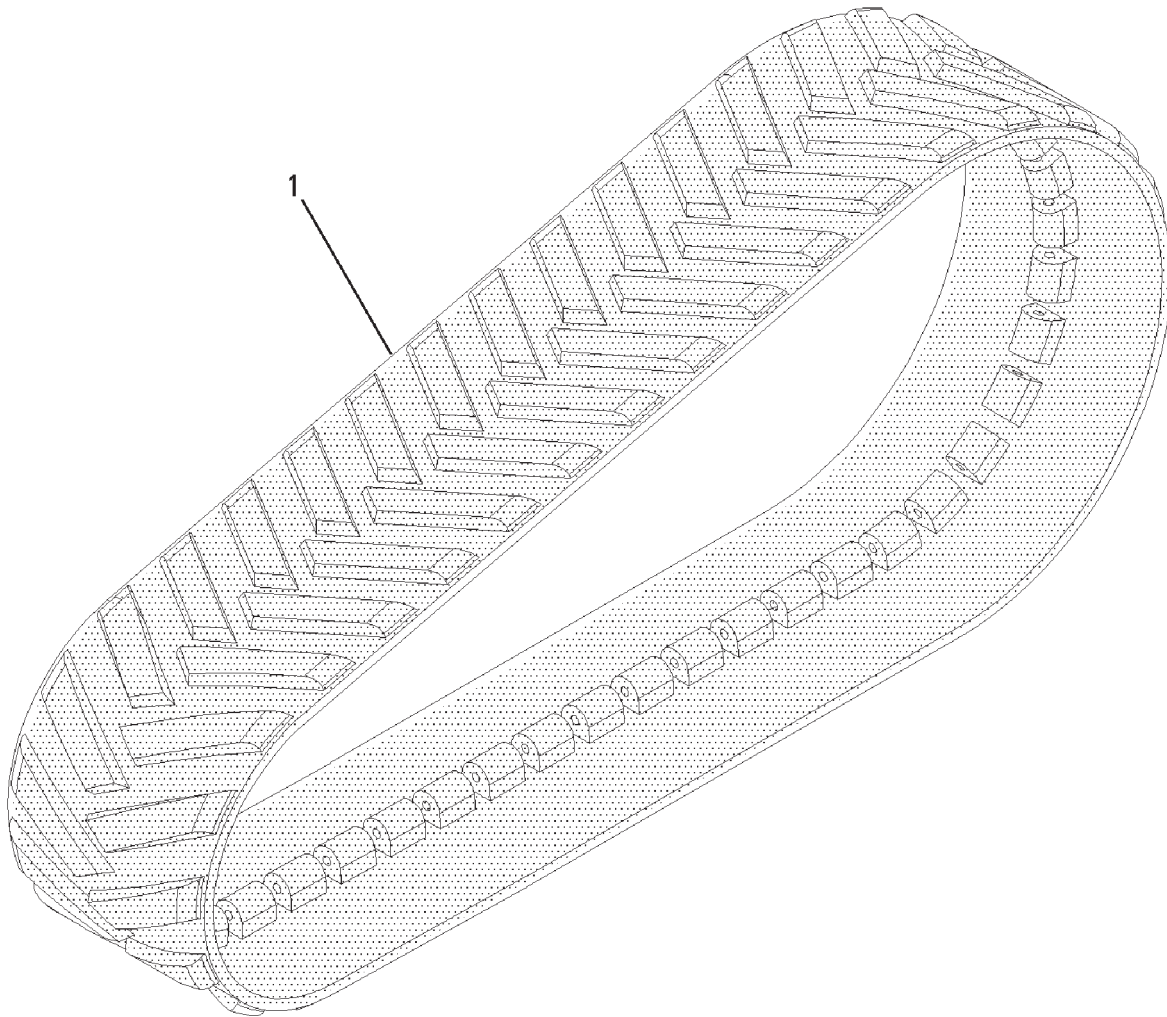
| ITEM | NUMBER | QTY | DESCRIPTION |
|------|----------|-----|-------------------------------------|
| - | 156-6075 | - | BELT AR (ORDER THRU DEALER CENTRAL) |
| 1 | 1R-1388 | 2 | BELT |
| - | 502141D1 | - | BELT AR-FIELD (INCLS 1 OF ITEM 1) |
| - | 502185D1 | - | KIT, BELT REPAIR |
| - | 501739D1 | - | ELASTOMER |
| - | 501742D1 | - | SOLIDIFIER |
| - | 501743D1 | - | BELT CONDITIONER |

00750319
PR: t05b22n43d0253

606

MT800B SERIES TRACTORS
TRACK BELTS

BELT AR-EXTREME AP - 177-4522
(699MM/27.5")



00851106

MT800B SERIES TRACTORS
TRACK BELTS

607

BELT AR-EXTREME AP - 177-4522
(699MM/27.5")

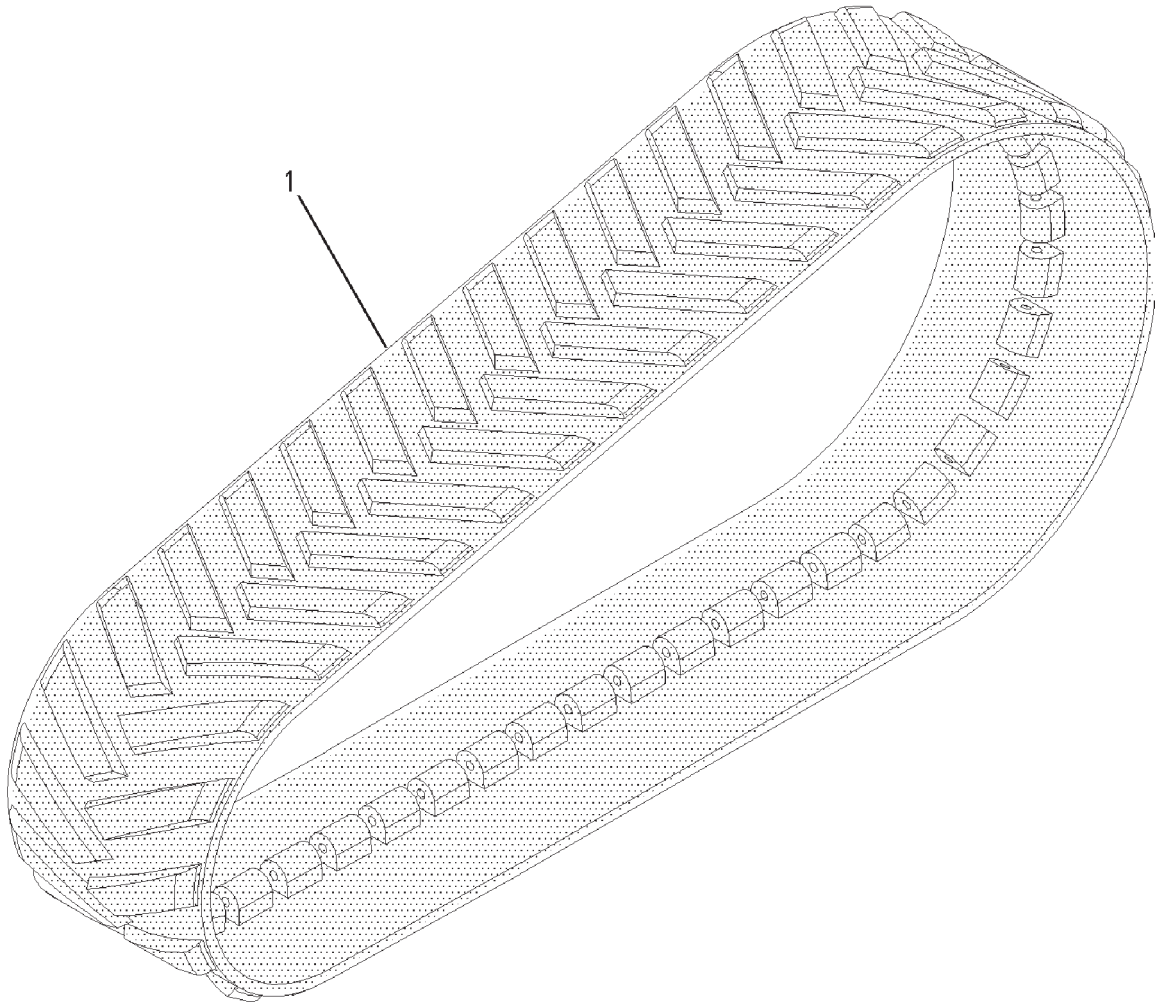
| ITEM | NUMBER | QTY | DESCRIPTION |
|------|----------|-----|--|
| - | 502779D1 | - | BELT AR-27.5" [R] (FIELD INSTALLED) (INCLS 2 OF ITEM 1) |
| - | 502143D1 | - | BELT AR-27.5"-FIELD (INCLS 1 OF ITEM 1) |
| - | 177-4522 | - | BELT AR (ORDER ON DEALER CENTRAL) |
| 1 | 1R-1323 | 2 | BELT |
| - | 502143D1 | - | BELT AR-FIELD (INCLS 1 OF ITEM 1) |
| - | 502185D1 | - | KIT, BELT REPAIR |
| - | 501739D1 | - | ELASTOMER |
| - | 501742D1 | - | SOLIDIFIER |
| - | 501743D1 | - | BELT CONDITIONER |

00851106
PR: t05b22n43d0254

608

MT800B SERIES TRACTORS
TRACK BELTS

BELT AR-EXTREME AP - 177-4523
(762MM/30")



00851108

MT800B SERIES TRACTORS
TRACK BELTS

609

BELT AR-EXTREME AP - 177-4523
(762MM/30")

| ITEM | NUMBER | QTY | DESCRIPTION |
|------|----------|-----|--|
| - | 502780D1 | - | BELT AR-30" [R] (ROW) (INCLS 2 OF ITEM 1) |
| - | 177-4523 | - | BELT AR [A] (ORDER ON DEALER CENTRAL) |
| 1 | 1R-1325 | 2 | BELT |
| - | 502145D1 | - | BELT AR-FIELD (INCLS 1 OF ITEM 1) |
| - | 502185D1 | - | KIT, BELT REPAIR |
| - | 501739D1 | - | ELASTOMER |
| - | 501742D1 | - | SOLIDIFIER |
| - | 501743D1 | - | BELT CONDITIONER |

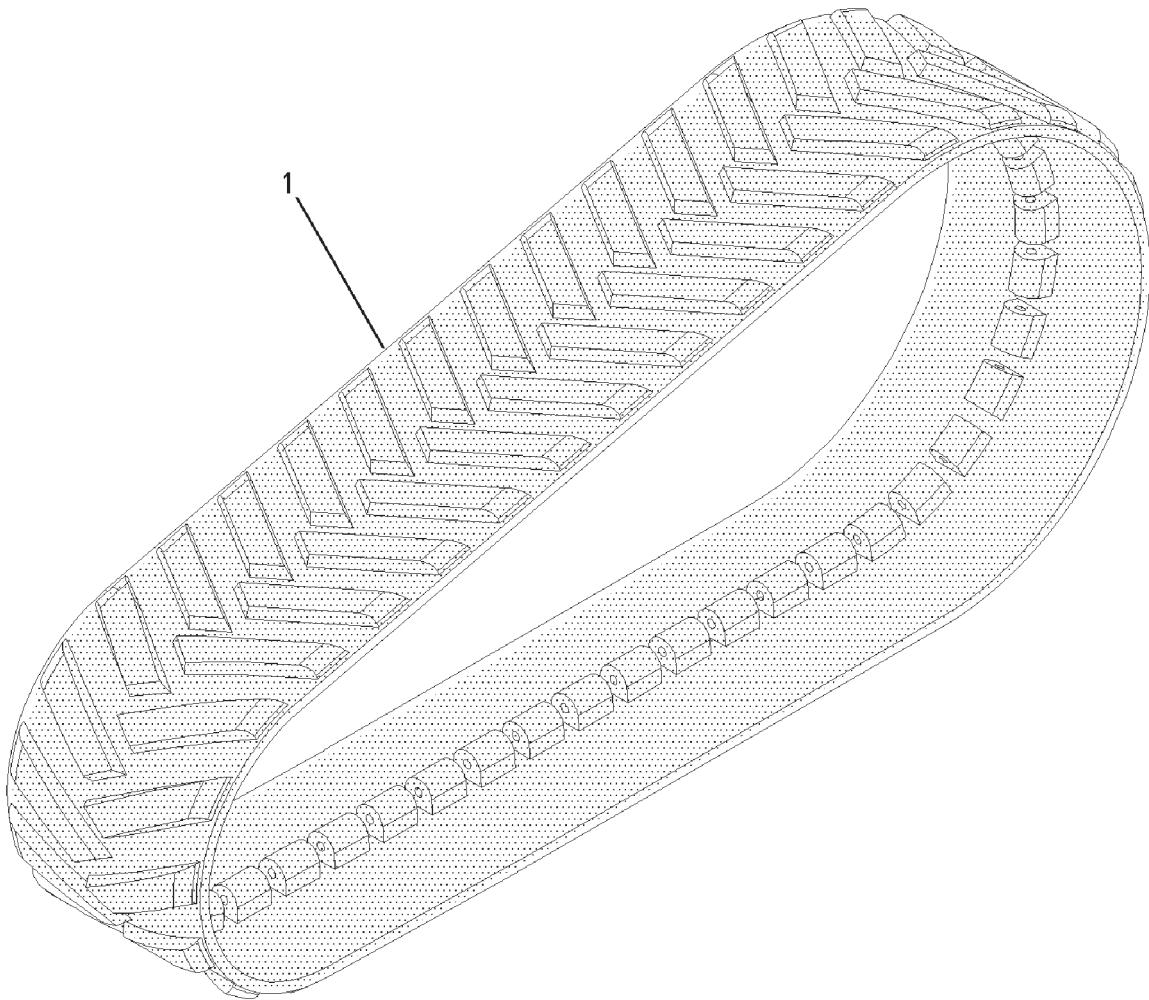
[A] PART OF 502780D1 BELT AR
[R] SPECIAL APPLICATIONS PKG

00851108
PR: t05b22n43d0255

610

MT800B SERIES TRACTORS
TRACK BELTS

BELT AR-EXTREME AP - 178-8087
(914MM/36")



00851176

MT800B SERIES TRACTORS
TRACK BELTS

611

BELT AR-EXTREME AP - 178-8087
(914MM/36")

| ITEM | NUMBER | QTY | DESCRIPTION |
|------|----------|-----|---|
| - | 502781D1 | - | BELT AR-36" [R] (ROW) (INCLS 2 OF ITEM 1) (ORDER ON DEALER CENTRAL) |
| - | 178-8087 | - | BELT AR [A] (ORDER ON DEALER CENTRAL) |
| 1 | 1R-1360 | 2 | BELT |
| - | 502147D1 | - | BELT AR-FIELD (INCLS 1 OF ITEM 1) |
| - | 502185D1 | - | KIT, BELT REPAIR |
| | 501739D1 | | ELASTOMER |
| | 501742D1 | | SOLIDIFIER |
| - | 501743D1 | - | BELT CONDITIONER |

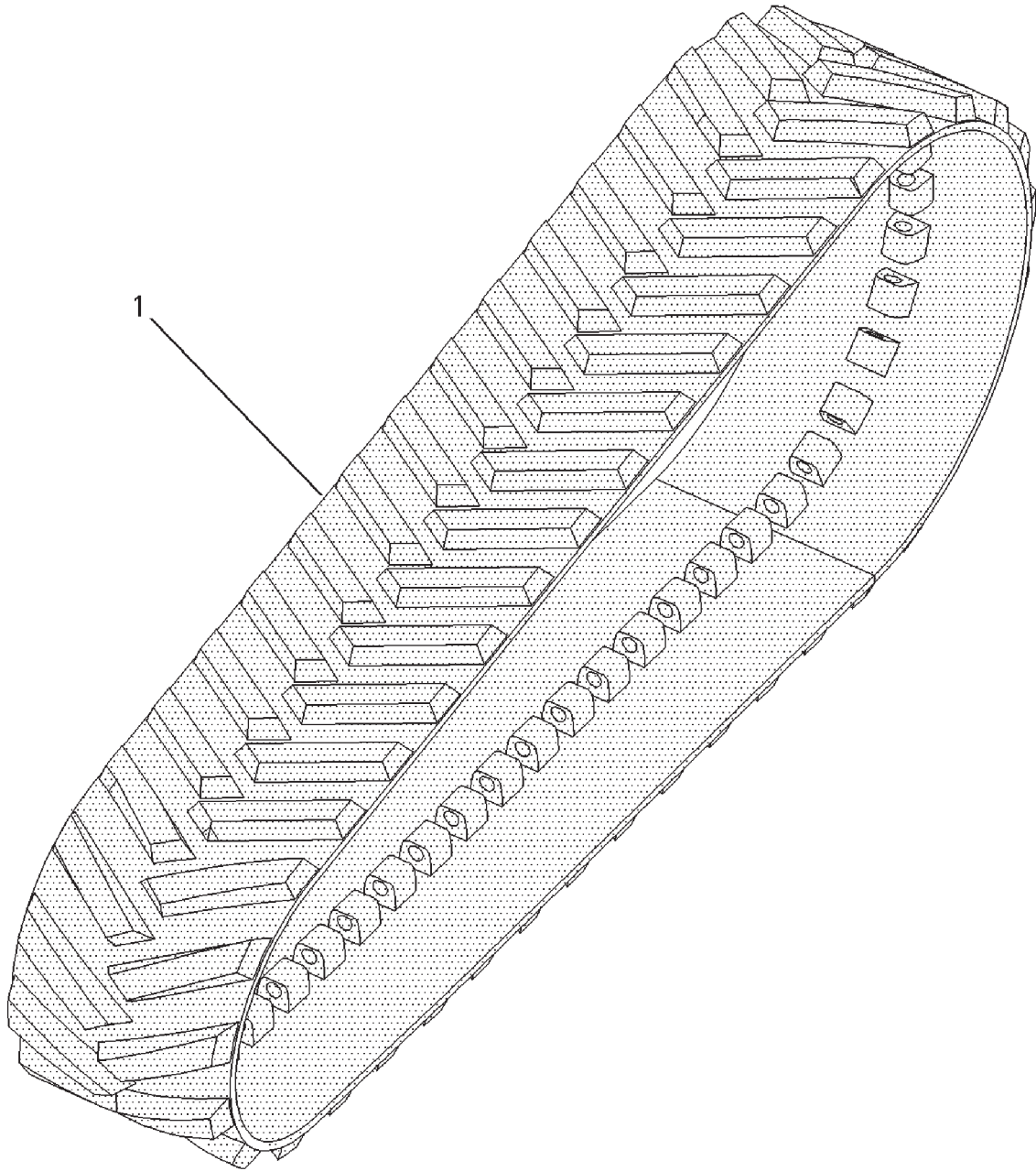
[A] PART OF 502781D1 BELT AR
[R] SPECIAL APPLICAITIONS PKG

00851176
PR: t05b22n43d0256

612

MT800B SERIES TRACTORS
TRACK BELTS

BELT AR-SPECIAL AP - 502027D1
(762MM/30")



00750377

MT800B SERIES TRACTORS
TRACK BELTS

613

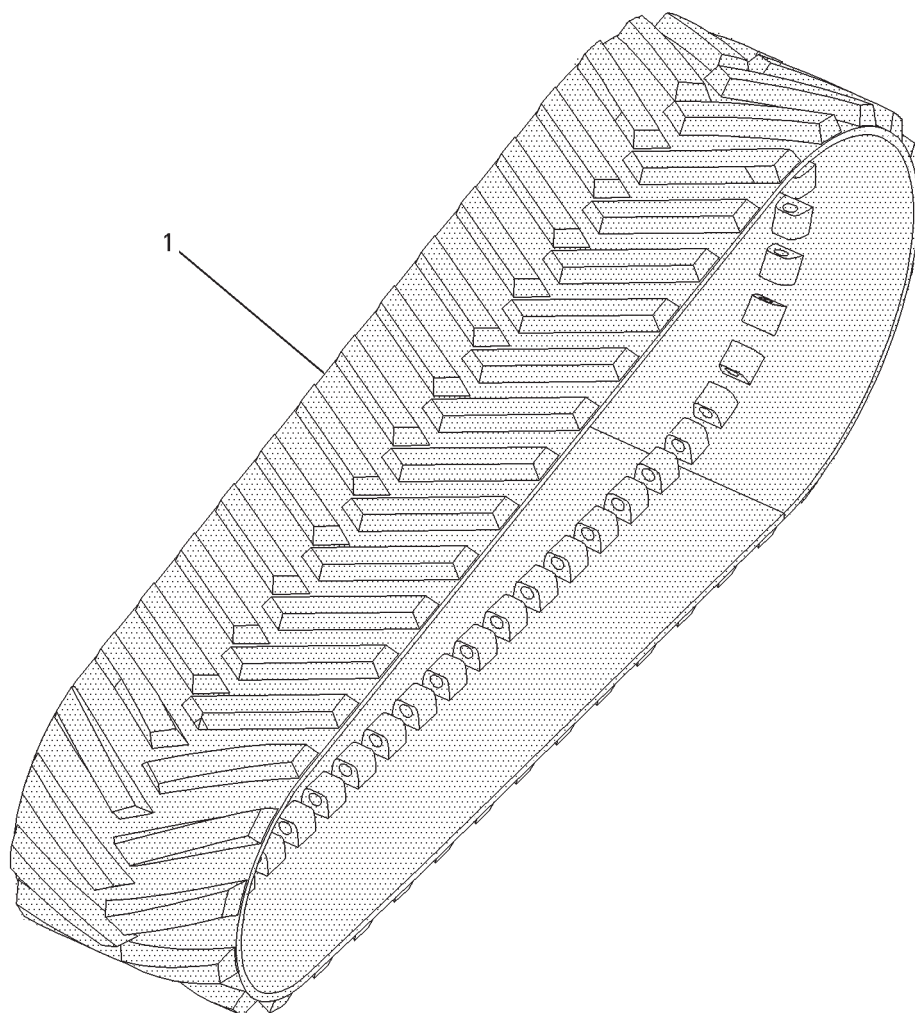
BELT AR-SPECIAL AP - 502027D1
(762MM/30")

| ITEM | NUMBER | QTY | DESCRIPTION |
|------|----------|-----|---|
| - | 502782D1 | - | BELT AR-30" [R] (ROW ONLY) (ORDER ON DEALER CENTRAL) |
| - | 502027D1 | - | BELT AR [A] (FACTORY) (ORDER ON DEALER CENTRAL) |
| 1 | 501186D1 | 2 | BELT |
| - | 502148D1 | - | BELT AR-FIELD (INCLS 1 OF ITEM 1) |
| - | 502185D1 | - | KIT, BELT REPAIR |
| - | 501739D1 | - | ELASTOMER |
| - | 501742D1 | - | SOLIDIFIER |
| - | 501743D1 | - | BELT CONDITIONER |

[A] PART OF 502782D1 BELT AR
[R] SPECIAL APPLICATIONS PKG

00750377
PR: t05b22n43d0257

BELT AR-SPECIAL AP - 502028D1
(914MM/36")



MT800B SERIES TRACTORS
TRACK BELTS

615

BELT AR-SPECIAL AP - 502028D1
(914MM/36")

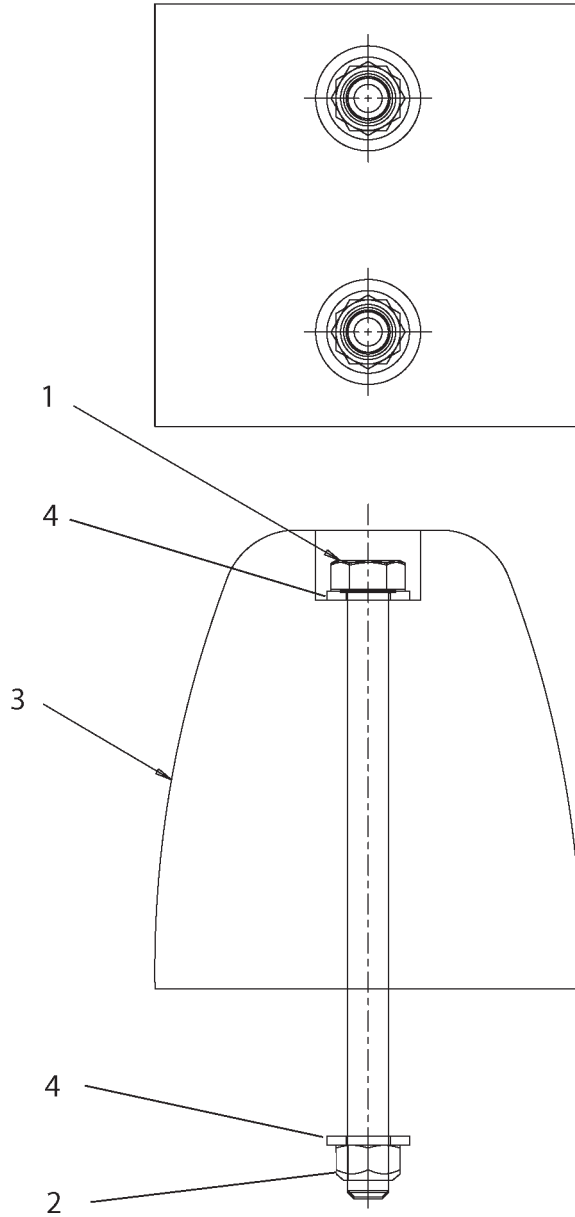
| ITEM | NUMBER | QTY | DESCRIPTION |
|------|----------|-----|---|
| - | 502783D1 | - | BELT AR-36" [R] (ROW ONLY) (ORDER ON DEALER CENTRAL) |
| - | 502028D1 | - | BELT AR [A] (FACTORY) (ORDER ON DEALER CENTRAL) |
| 1 | 501196D1 | 2 | BELT |
| - | 502149D1 | - | BELT AR-FIELD (INCLS 1 OF ITEM 1) |
| - | 502185D1 | - | KIT, BELT REPAIR |
| - | 501739D1 | - | ELASTOMER |
| - | 501742D1 | - | SOLIDIFIER |
| - | 501743D1 | - | BELT CONDITIONER |

[A] PART OF 502783D1 BELT AR
[R] SPECIAL APPLICATIONS PKG

00750562
PR: t05b22n43d0258

MT800B SERIES TRACTORS
TRACK BELTS

KIT-GUIDE BLOCK
GENERAL AG & EXTREME APPLICATIONS



MT800B SERIES TRACTORS
TRACK BELTS

617

KIT-GUIDE BLOCK
GENERAL AG & EXTREME APPLICATIONS

| ITEM | NUMBER | QTY | DESCRIPTION |
|------|----------|-----|--------------------------------|
| - | 501215D1 | - | KIT-GUIDE BLOCK (GEN AG) |
| - | 501216D1 | - | KIT-GUIDE BLOCK (EXTREME AP) |
| 1 | 400276X1 | 2 | BOLT-7/16-14X165 ZNDI HHD 10.9 |
| 2 | 400278X1 | 2 | NUT-LOCK 7/16-14 ZNDI&WAX HEX |
| 3 | 501197D1 | 1 | BLOCK-GUIDE (GEN AG) |
| | 501198D1 | 1 | BLOCK-GUIDE (EXTREME AP) |
| 4 | 400358X1 | 4 | WASHER-HARD-7/16X22.50DX2.5THK |

501213DA
PR: t05k07n15a0014

618

MT800B SERIES TRACTORS
UNDERCARRIAGE

GAUGE AR-TRACK (W/O PTO)
2286-3251 MM (90-128 IN)
ROW ONLY

NO ILLUSTRATION

NOTIF10

**MT800B SERIES TRACTORS
UNDERCARRIAGE**

619

**GAUGE AR-TRACK (W/O PTO)
2286-3251 MM (90-128 IN)
ROW ONLY**

| ITEM | NUMBER | QTY | DESCRIPTION |
|------|----------|-----|--|
| - | 177-9948 | - | GAUGE AR-TRACK (NOT SERVICED) |
| 1 | 156-4881 | 1 | UNDERCARRIAGE AR (NOT SERVICED) (SEE BREAKDOWN FOR COMPONENTS) |
| 2 | 158-2404 | 1 | MOTOR & MTG GP-STEERING (NOT SERVICED) (SEE BREAKDOWN FOR COMPONENTS) |
| 3 | 200-5029 | 1 | POWER TRAIN AR (NOT SERVICED) (SEE BREAKDOWN FOR COMPONENTS) |

NOTIF10
PR: t05b22n43d0259

620

MT800B SERIES TRACTORS
UNDERCARRIAGE

GAGE AR-TRACK (W/PTO)
2286-3251 MM (90-128 IN)
ROW ONLY

NO ILLUSTRATION

NOTIF10

**MT800B SERIES TRACTORS
UNDERCARRIAGE**

621

**GAGE AR-TRACK (W/PTO)
2286-3251 MM (90-128 IN)
ROW ONLY**

| ITEM | NUMBER | QTY | DESCRIPTION |
|------|----------|-----|--|
| - | 183-2198 | - | GAUGE AR-TRACK (NOT SERVICED) |
| - | 183-4470 | 1 | GUARD GP-POWER TAKE-OFF (SEE BREAKDOWN FOR COMPONENTS) |
| - | 189-2976 | 1 | LINES GP-POWER TAKE-OFF (NOT SERVICED) (SEE BREAKDOWN FOR COMPONENTS) |
| - | 158-2404 | 1 | MOTOR & MTG GP-STEERING (NOT SERVICED) (SEE BREAKDOWN FOR COMPONENTS) |
| - | 200-5027 | 1 | POWER TRAIN AR (NOT SERVICED) (SEE BREAKDOWN FOR COMPONENTS) |
| - | 156-4881 | 1 | UNDERCARRIAGE AR (NOT SERVICED) (SEE BREAKDOWN FOR COMPONENTS) |

NOTIF10
PR: t05b22n43d0260

622

MT800B SERIES TRACTORS
UNDERCARRIAGE

GAUGE AR-TRACK (W/O PTO)
2286-2600 MM (90-102 IN)
EAME ONLY

NO ILLUSTRATION

NOTIF10

**MT800B SERIES TRACTORS
UNDERCARRIAGE**

623

**GAUGE AR-TRACK (W/O PTO)
2286-2600 MM (90-102 IN)
EAME ONLY**

| ITEM | NUMBER | QTY | DESCRIPTION |
|------|----------|-----|--|
| - | 177-9947 | - | GAUGE AR-TRACK (NOT SERVICED) |
| | 172-4517 | 1 | MOTOR & MOUNTING GP (STEERING) (NOT SERVICED) (SEE BREAKDOWN FOR COMPONENTS) |
| | 177-9946 | 1 | UNDERCARRIAGE AR (NOT SERVICED) (SEE BREAKDOWN FOR COMPONENTS) |
| | 200-5030 | 1 | POWER TRAIN AR (NOT SERVICED) (SEE BREAKDOWN FOR COMPONENTS) |

NOTIF10
PR: t05b22n43d0261

624

MT800B SERIES TRACTORS
UNDERCARRIAGE

GAUGE AR-TRACK (W/PTO)
2286-2600 MM (90-102 IN)
EAME ONLY

NO ILLUSTRATION

NOTIF10

**MT800B SERIES TRACTORS
UNDERCARRIAGE**

625

**GAUGE AR-TRACK (W/PTO)
2286-2600 MM (90-102 IN)
EAME ONLY**

| ITEM | NUMBER | QTY | DESCRIPTION |
|------|----------|-----|---|
| - | 183-2197 | - | GAUGE AR-TRACK (NOT SERVICED) |
| - | 224-5884 | 1 | CONTROL GP-POWER TAKE-OFF (NOT SERVICED) (SEE BREAKDOWN FOR COMPONENTS) |
| - | 183-4470 | 1 | GUARD GP-POWER TAKE-OFF (NOT SERVICED) (SEE BREAKDOWN FOR COMPONENTS) |
| - | 189-2976 | 1 | LINES GP-POWER TAKE-OFF (NOT SERVICED) (SEE BREAKDOWN FOR COMPONENTS) |
| - | 172-4517 | 1 | MOTOR & MOUNTING GP (NOT SERVICED) (SEE BREAKDOWN FOR COMPONENTS) |
| - | 200-5028 | 1 | POWER TRAIN AR (NOT SERVICED) (SEE BREAKDOWN FOR COMPONENTS) |
| - | 177-9946 | 1 | UNDERCARRIAGE AR (NOT SERVICED) (SEE BREAKDOWN FOR COMPONENTS) |

NOTIF10
PR: t05b22n43d0262

626

MT800B SERIES TRACTORS
UNDERCARRIAGE

GAGE AR-TRACK (W/O PTO)
2286-3251 MM (90-128 IN)
SPECIAL APPLICATIONS

NO ILLUSTRATION

NOTIF10

**MT800B SERIES TRACTORS
UNDERCARRIAGE**

627

**GAGE AR-TRACK (W/O PTO)
2286-3251 MM (90-128 IN)
SPECIAL APPLICATIONS**

| ITEM | NUMBER | QTY | DESCRIPTION |
|------|----------|-----|--|
| - | 502323D1 | - | GAUGE AR-TRACK (NOT SERVICED) |
| - | 158-2404 | 1 | MOTOR & MTG GP-STEERING (NOT SERVICED) (SEE BREAKDOWN FOR COMPONENTS) |
| - | 200-5029 | 1 | POWER TRAIN AR (NOT SERVICED) (SEE BREAKDOWN FOR COMPONENTS) |
| - | 502325D1 | 1 | UNDERCARRIAGE AR (NOT SERVICED) (SEE BREAKDOWN FOR COMPONENTS) |

NOTIF10
PR: t05b22n43d0263

628

MT800B SERIES TRACTORS
UNDERCARRIAGE

GAGE AR-TRACK (W/PTO)
2286-3251 MM (90-128 IN)
SPECIAL APPLICATIONS

NO ILLUSTRATION

NOTIF10

**MT800B SERIES TRACTORS
UNDERCARRIAGE**

629

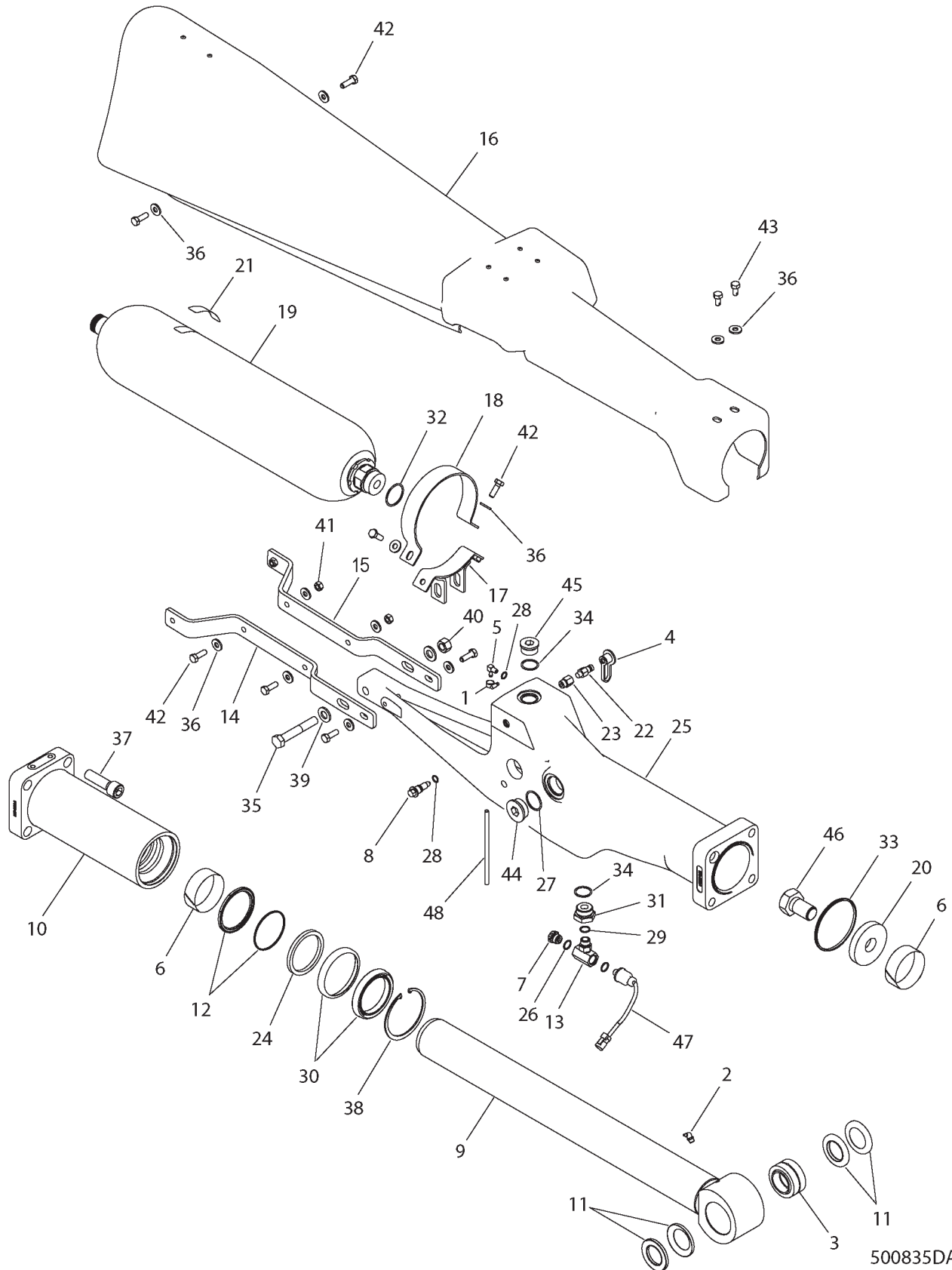
**GAGE AR-TRACK (W/PTO)
2286-3251 MM (90-128 IN)
SPECIAL APPLICATIONS**

| ITEM | NUMBER | QTY | DESCRIPTION |
|------|----------|-----|--|
| - | 502324D1 | - | GAUGE AR-TRACK (NOT SERVICED) |
| - | 158-2404 | 1 | MOTOR & MTG GP-STEERING (NOT SERVICED) (SEE BREAKDOWN FOR COMPONENTS) |
| - | 183-4470 | 1 | GUARD GP-POWER TAKE-OFF (NOT SERVICED) (SEE BREAKDOWN FOR COMPONENTS) |
| - | 189-2976 | 1 | LINES GP-POWER TAKE-OFF (NOT SERVICED) (SEE BREAKDOWN FOR COMPONENTS) |
| - | 200-5027 | 1 | POWER TRAIN AR (NOT SERVICED) (SEE BREAKDOWN FOR COMPONENTS) |
| - | 502325D1 | 1 | UNDERCARRIAGE AR (NOT SERVICED) (SEE BREAKDOWN FOR COMPONENTS) |

NOTIF10
PR: t05b22n43d0264

MT800B SERIES TRACTORS
UNDERCARRIAGE

TENSIONER GP-BELT - LH
500835D1
ROW & EAME



**MT800B SERIES TRACTORS
UNDERCARRIAGE**

631

**TENSIONER GP-BELT - LH
500835D1
ROW & EAME**

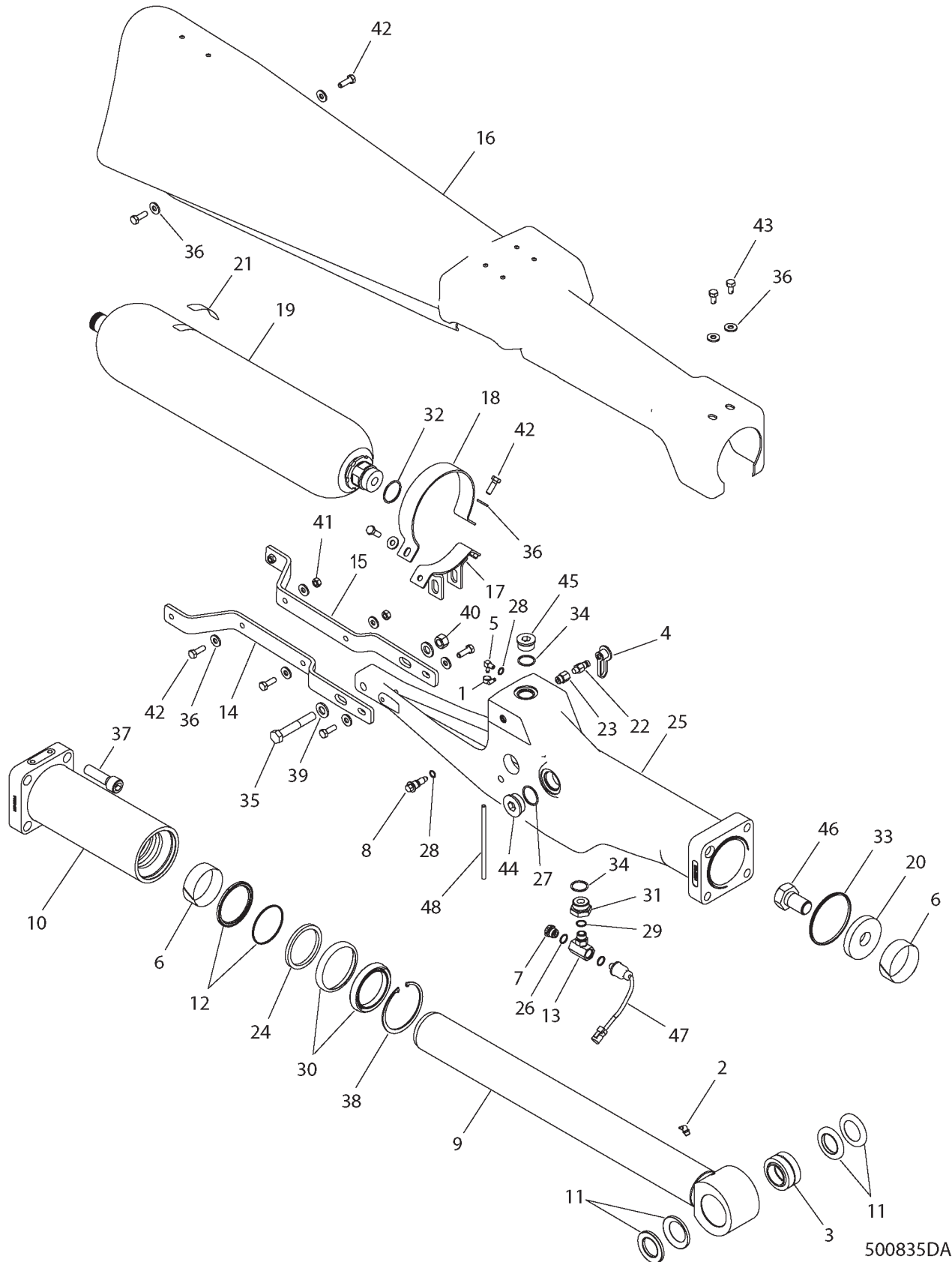
| ITEM | NUMBER | QTY | DESCRIPTION |
|------|------------|-----|--|
| - | 500835D1 | - | TENSIONER GP-BELT [A] (NOT SERVICED) |
| 1 | CH1P-4278 | 1 | CLAMP-HOSE 5.5-15.88 ID X 8 |
| 2 | CH3B-8486 | 1 | FITTING-ZERK 45 DEG 2 NPTF ZN |
| 3 | CH4D-4431 | 1 | BEARING-SLF ALNG44.45 X 71.438 |
| 4 | 400323X1 | 1 | CAP-DUST 12.6 DIA -RUBBER |
| 5 | CH6V-6757 | 1 | ELBOW-90DEG 4NPTFX6.35 OD BARB |
| 6 | CH8C-9101 | 2 | RING-WEAR 82.5 IDX1.5X28.25 |
| 7 | CH108-5985 | 1 | VALVE-DISC RELIEF 8STOR |
| 8 | CH119-9708 | 2 | VALVE-NEEDLE M12X1.75-6G HEX |
| 9 | 127-9562 | 1 | ROD AS |
| 10 | 127-9564 | 1 | GUIDE |
| 11 | CH164-0909 | 2 | SEAL-PIN 11.29 PINX71.4ODX6.35 |
| 12 | CH167-2209 | 1 | SEAL AS-98.83 BORE X 82.5 ROD |
| 13 | CH175-2851 | 1 | TEE-8STOR X 8STOR X 5STOR |
| 14 | 178-1202 | 1 | BRACKET AS.-RH |
| 15 | 178-1203 | 1 | BRACKET AS.-LH |
| 16 | 180-3669 | 1 | GUARD AS-LH |
| 17 | 184-0790 | 1 | SUPPORT AS.-ACCUMULATOR |
| 18 | 189-1711 | 1 | CLAMP-SUPPORT |
| 19 | 189-3165 | 1 | ACCUMULATOR AS. |
| 20 | CH195-1104 | 1 | SPACER 30.5 IDX92 ODX15MM |
| 21 | CH208-1663 | 1 | FILM-WARNING ACCUMULATOR |
| 22 | CH110-6349 | 1 | NIPPLE-QUICK CONNECT 4STOR (INCLS O-RING) |
| 23 | CH148-8305 | 1 | ADAPTER AS-6 STOR X 4 STOR |
| | 400318X1 | 1 | SEAL-O-RING (11.89IDX1.98DIA) |
| 24 | CH167-2320 | 1 | SEAL-UCUP 95.3 BORE X 82.5 ROD |
| 25 | 176-2966 | 1 | CYLINDER-LH (TENSIONER) |
| 26 | CH1J-9671 | 1 | SEAL-O-RING 10.52IDX1.83DIA |
| 27 | 400593X1 | 1 | SEAL-O-RING 37.46 IDX3 DIA |
| 28 | 400318X1 | 2 | SEAL-O-RING 11.89IDX1.98 |
| 29 | CH3K-0360 | 2 | SEAL-O-RING 16.36IDX2.21DIA |
| 30 | 500687D1 | 1 | SEAL-WIPER(DOUBLE LIP) |
| 31 | CH5P-5777 | 1 | ADAPTER-16 STOR X 8 STOR |
| 32 | CH6K-6307 | 1 | SEAL-O RING 43.69 IDX3DIA |
| 33 | CH6V-1657 | 1 | SEAL-RECT 116.4ODX3.4WX4.95THK |
| 34 | 400376X1 | 2 | SEAL-O-RING 29.74 IDX2.95 DIA |
| 35 | WR520610 | 1 | BOLT-M16-2.0X100,CL10.9,ZN,HHD |
| 36 | CH7X-7729 | 12 | WASHER-11IDX5ODX3MM |
| 37 | CH7Y-5217 | 4 | BOLT-SOCKET M20X2.5X70 |
| 38 | CH8D-3886 | 1 | RING RETAIN INT 114.05 ODX2.8 |
| 39 | CH8T-4122 | 2 | WASHER HARD-17IDX32ODX3.5MM |
| 40 | CH8T-4132 | 1 | NUT-M16X2X14.8 |
| 41 | 7774664 | 2 | NUT-M10-1.5,CL10.9,ZN,H,REG |
| 42 | 400058X1 | 8 | BOLT-M10X1.5X30 ZNDI HHD 10.9 |
| 43 | 400228X1 | 2 | BOLT-M10X1.5X20 ZNDI LK 10.9 |
| 44 | CH9S-8010 | 1 | PLUG-20 STOR HEX SOCKET |
| 45 | 400375X1 | 1 | PLUG-16 STOR ZN HSHD |
| 46 | CH9X-2199 | 1 | BOLT-M30X3.5X50 HHD 10.9 |
| 47 | 500834D1 | 1 | SENSOR GP-PRESSURE |
| 48 | CH5P-6442 | AR | HOSE-BULK RUBBER 6.35ID (18CM) |
| 49 | 500250D1 | AR | OIL (BULK) (5L) |

[A] PART OF
156-4882 FRAME AR TRACK-RH

500835DA
PR: t05b22n43d0265

MT800B SERIES TRACTORS
UNDERCARRIAGE

TENSIONER GP-BELT - RH
500836D1
ROW & EAME



**MT800B SERIES TRACTORS
UNDERCARRIAGE**

633

**TENSIONER GP-BELT - RH
500836D1
ROW & EAME**

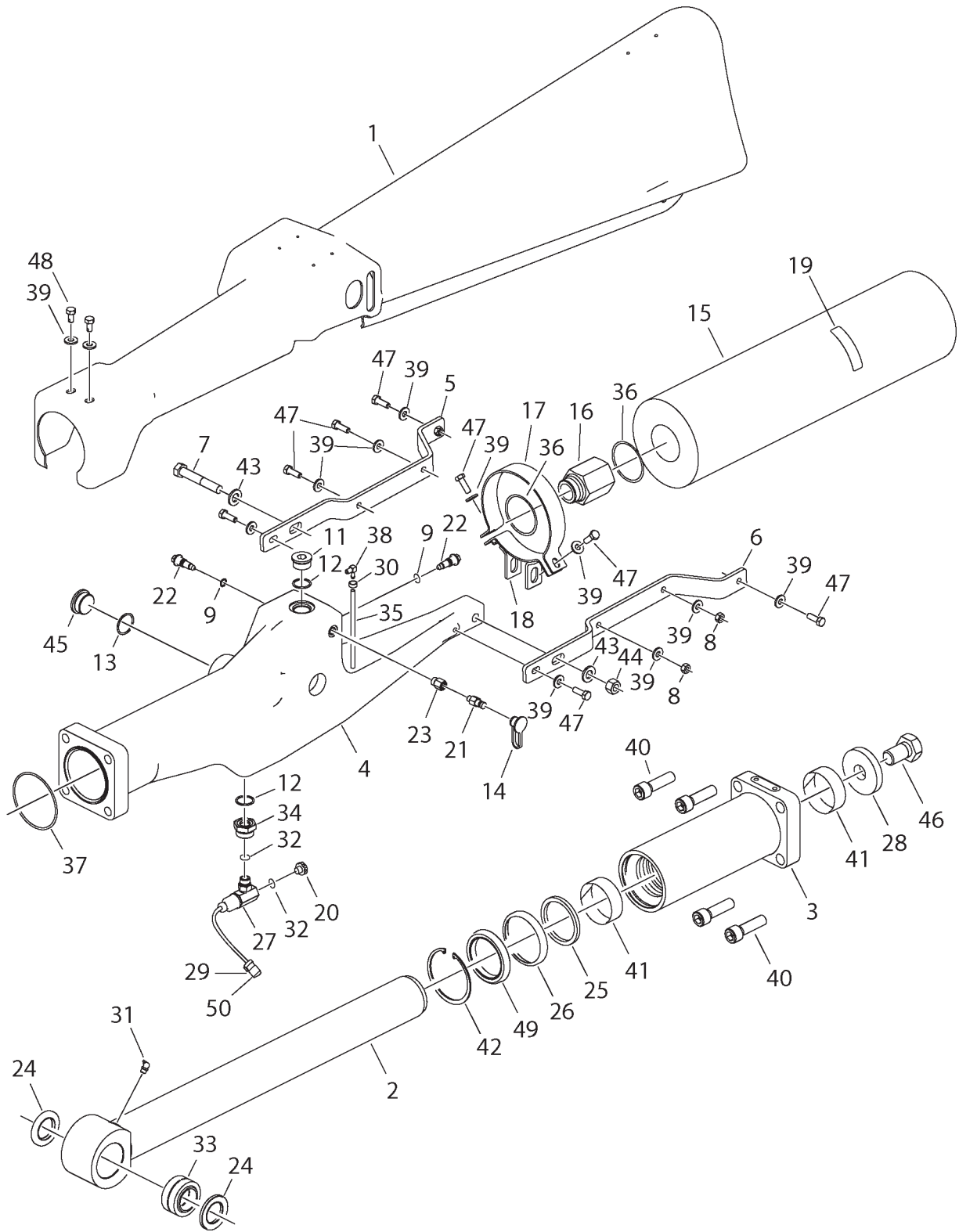
| ITEM | NUMBER | QTY | DESCRIPTION |
|------|------------|-----|--|
| - | 500836D1 | - | TENSIONER GP-BELT [A] (NOT SERVICED) |
| 1 | CH1P-4278 | 1 | CLAMP-HOSE 5.5-15.88 ID X 8 |
| 2 | CH3B-8486 | 1 | FITTING-ZERK 45 DEG 2 NPTF ZN |
| 3 | CH4D-4431 | 1 | BEARING-SLF ALNG44.45 X 71.438 |
| 4 | 400323X1 | 1 | CAP-DUST 12.6 DIA -RUBBER |
| 5 | CH6V-6757 | 1 | ELBOW-90DEG 4NPTFX6.35 OD BARB |
| 6 | CH8C-9101 | 2 | RING-WEAR 82.5 IDX1.5X28.25 |
| 7 | CH108-5985 | 1 | VALVE-DISC RELIEF 8STOR |
| 8 | CH119-9708 | 2 | VALVE-NEEDLE M12X1.75-6G HEX |
| 9 | 127-9562 | 1 | ROD AS |
| 10 | 127-9564 | 1 | GUIDE |
| 11 | CH164-0909 | 2 | SEAL-PIN 11.29 PINX71.4ODX6.35 |
| 12 | CH167-2209 | 1 | SEAL AS-98.83 BORE X 82.5 ROD |
| 13 | CH175-2851 | 1 | TEE-8STOR X 8STOR X 5STOR |
| 14 | 178-1202 | 1 | BRACKET AS.-RH |
| 15 | 178-1203 | 1 | BRACKET AS.-LH |
| 16 | 180-3667 | 1 | GUARD AS.-RH |
| 17 | 184-0790 | 1 | SUPPORT AS.-ACCUMULATOR |
| 18 | 189-1711 | 1 | CLAMP-SUPPORT |
| 19 | 189-3165 | 1 | ACCUMULATOR AS. |
| 20 | CH195-1104 | 1 | SPACER 30.5 IDX92 ODX15MM |
| 21 | CH208-1663 | 1 | FILM-WARNING ACCUMULATOR |
| 22 | CH110-6349 | 1 | NIPPLE-QUICK CONNECT 4STOR (INCLS O-RING) |
| 23 | CH148-8305 | 1 | ADAPTER AS-6 STOR X 4 STOR |
| | 400318X1 | 1 | SEAL-O-RING (11.89IDX1.98DIA) |
| 24 | CH167-2320 | 1 | SEAL-UCUP 95.3 BORE X 82.5 ROD |
| 25 | 176-2968 | 1 | CYLINDER-RH (TENSIONER) |
| 26 | CH1J-9671 | 1 | SEAL-O-RING 10.52IDX1.83DIA |
| 27 | 400593X1 | 1 | SEAL-O-RING 37.46 IDX3 DIA |
| 28 | 400318X1 | 2 | SEAL-O-RING 11.89IDX1.98 |
| 29 | CH3K-0360 | 2 | SEAL-O-RING 16.36IDX2.21DIA |
| 30 | 500687D1 | 1 | SEAL-WIPER(DOUBLE LIP) |
| 31 | CH5P-5777 | 1 | ADAPTER-16 STOR X 8 STOR |
| 32 | CH6K-6307 | 1 | SEAL-O RING 43.69 IDX3DIA |
| 33 | CH6V-1657 | 1 | SEAL-RECT 116.4ODX3.4WX4.95THK |
| 34 | 400376X1 | 2 | SEAL-O-RING 29.74 IDX2.95 DIA |
| 35 | WR520610 | 1 | BOLT-M16-2.0X100,CL10.9,ZN,HHD |
| 36 | CH7X-7729 | 12 | WASHER-11IDX5ODX3MM |
| 37 | CH7Y-5217 | 4 | BOLT-SOCKET M20X2.5X70 |
| 38 | CH8D-3886 | 1 | RING RETAIN INT 114.05 ODX2.8 |
| 39 | CH8T-4122 | 2 | WASHER HARD-17IDX32ODX3.5MM |
| 40 | CH8T-4132 | 1 | NUT-M16X2X14.8 |
| 41 | 7774664 | 2 | NUT-M10-1.5,CL10.9,ZN,H,REG |
| 42 | 400058X1 | 8 | BOLT-M10X1.5X30 ZNDI HHD 10.9 |
| 43 | 400228X1 | 2 | BOLT-M10X1.5X20 ZNDI LK 10.9 |
| 44 | CH9S-8010 | 1 | PLUG-20 STOR HEX SOCKET |
| 45 | 400375X1 | 1 | PLUG-16 STOR ZN HSHD |
| 46 | CH9X-2199 | 1 | BOLT-M30X3.5X50 HHD 10.9 |
| 47 | 500834D1 | 1 | SENSOR GP-PRESSURE |
| 48 | CH5P-6442 | AR | HOSE-BULK RUBBER 6.35ID (18CM) |
| 49 | 500250D1 | AR | OIL (BULK) (5L) |

[A] PART OF
156-4882 FRAME AR TRACK-RH

500835DA
PR: t05b22n43d0266

MT800B SERIES TRACTORS
UNDERCARRIAGE

TENSIONER GP-BELT (LH)
502103D1
SPECIAL APPLICATIONS



**MT800B SERIES TRACTORS
UNDERCARRIAGE**

635

**TENSIONER GP-BELT (LH)
502103D1
SPECIAL APPLICATIONS**

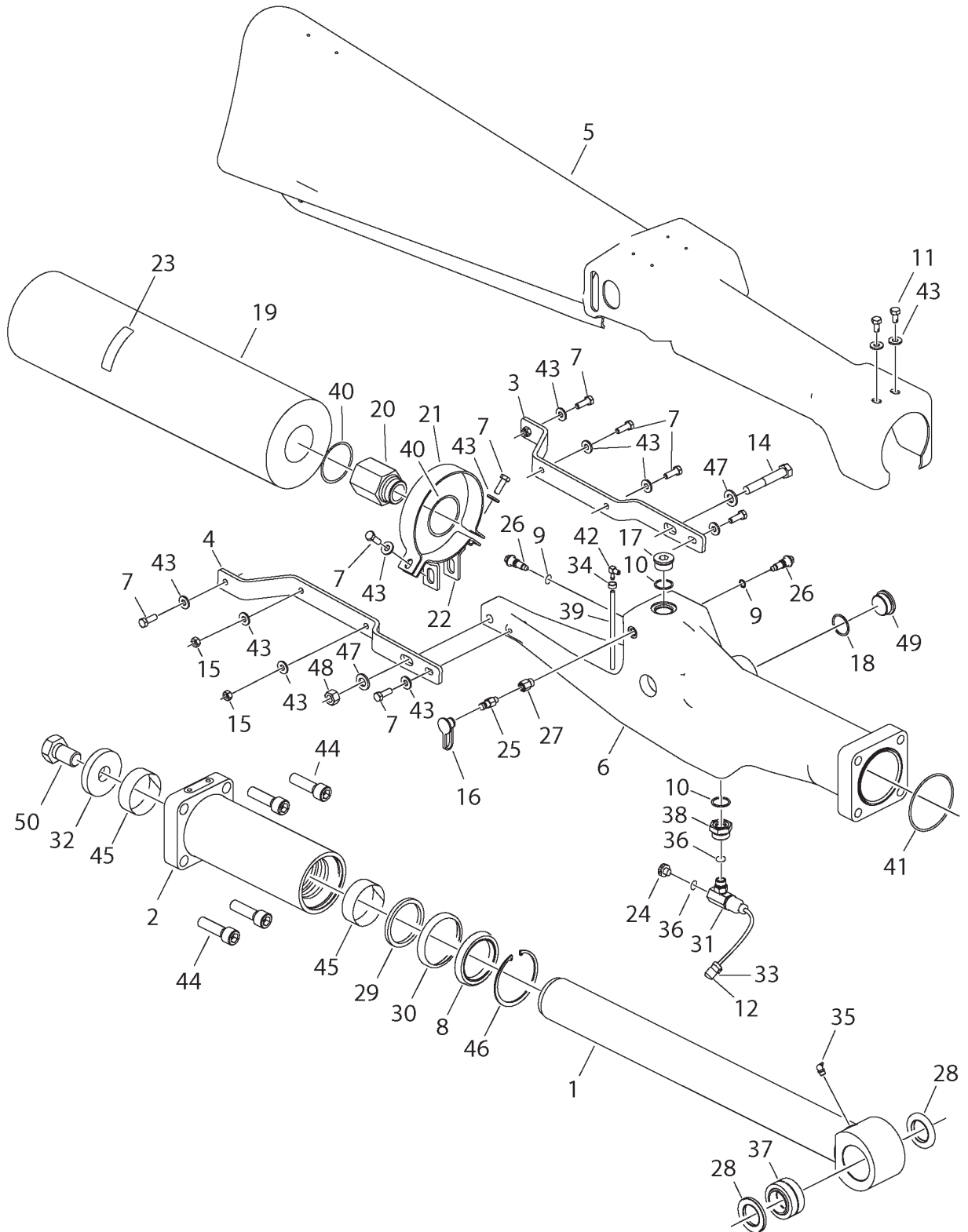
| ITEM | NUMBER | QTY | DESCRIPTION |
|------|------------|-----|---|
| - | 502103D1 | - | TENSIONER GP-BELT-LH [A] (NOT SERVICED) |
| 1 | 180-3669 | 1 | GUARD AS-LH |
| 2 | 127-9562 | 1 | ROD AS |
| 3 | 127-9564 | 1 | GUIDE |
| 4 | 176-2966 | 1 | CYLINDER-LH (TENSIONER) |
| 5 | 178-1202 | 1 | BRACKET AS.-RH |
| 6 | 178-1203 | 1 | BRACKET AS.-LH |
| 7 | WR520610 | 1 | BOLT-M16-2.0X100,CL10.9,ZN,HHD |
| 8 | 7774664 | 2 | NUT-M10-1.5,CL10.9,ZN,H,REG |
| 9 | 400318X1 | 2 | SEAL-O-RING 11.89IDX1.98 |
| 10 | 400323X1 | 1 | CAP-DUST 12.6 DIA -RUBBER |
| 11 | 400375X1 | 1 | PLUG-16 STOR ZN HSHD |
| 12 | 400376X1 | 2 | SEAL-O-RING 29.74 IDX2.95 DIA |
| 13 | 400593X1 | 1 | SEAL-O-RING 37.46 IDX3 DIA |
| 14 | | | NOT USED |
| 15 | 502237D1 | 1 | ACCUMULATOR AS |
| 16 | 501094D1 | 1 | ADAPTER-1 7/8 |
| 17 | 501095D1 | 1 | CLAMP-SUPPORT |
| 18 | 501096D1 | 1 | SUPPORT AS-ACCUMULATOR |
| 19 | 502104D1 | 1 | FILM-WARNING(ACCUMULATOR) |
| 20 | CH108-5985 | 1 | VALVE-DISC RELIEF 8STOR |
| 21 | CH110-6349 | 1 | NIPPLE-QUICK CONNECT 4STOR (INCL O-RING) |
| 22 | CH119-9708 | 2 | VALVE-NEEDLE M12X1.75-6G HEX |
| 23 | CH148-8305 | 1 | ADAPTER AS-6 STOR X 4 STOR 400318X1 SEAL-O-RING (11.89IDX1.98DIA) |
| 24 | CH164-0909 | 2 | SEAL-PIN 11.29 PINX71.4ODX6.35 |
| 25 | CH167-2209 | 1 | SEAL AS-98.83 BORE X 82.5 ROD |
| 26 | CH167-2320 | 1 | SEAL-UCUP 95.3 BORE X 82.5 ROD |
| 27 | CH175-2851 | 1 | TEE-8STOR X 8STOR X 5STOR |
| 28 | CH195-1104 | 1 | SPACER 30.5 IDX92 ODX15MM |
| 29 | CH1J-9671 | 1 | SEAL-O-RING 10.52IDX1.83DIA |
| 30 | CH1P-4278 | 1 | CLAMP-HOSE 5.5-15.88 ID X 8 |
| 31 | CH3B-8486 | 1 | FITTING-ZERK 45 DEG 2 NPTF ZN |
| 32 | CH3K-0360 | 2 | SEAL-O-RING 16.36IDX2.21DIA |
| 33 | CH4D-4431 | 1 | BEARING-SLF ALNG44.45 X 71.438 |
| 34 | CH5P-5777 | 1 | ADAPTER-16 STOR X 8 STOR |
| 35 | CH5P-6442 | AR | HOSE-BULK RUBBER 6.35ID (18CM) |
| 36 | CH6K-6307 | 2 | SEAL-O RING 43.69 IDX3DIA |
| 37 | CH6V-1657 | 1 | SEAL-RECT 116.4ODX3.4WX4.95THK |
| 38 | CH6V-6757 | 1 | ELBOW-90DEG 4NPTFX6.35 OD BARB |
| 39 | CH7X-7729 | 12 | WASHER-11IDX5ODX3MM |
| 40 | CH7Y-5217 | 4 | BOLT-SOCKET M20X2.5X70 |
| 41 | CH8C-9101 | 2 | RING-WEAR 82.5 IDX1.5X28.25 |
| 42 | CH8D-3886 | 1 | RING RETAIN INT 114.05 ODX2.8 |
| 43 | CH8T-4122 | 2 | WASHER HARD-17IDX32ODX3.5MM |
| 44 | CH8T-4132 | 1 | NUT-M16X2X14.8 |
| 45 | CH9S-8010 | 1 | PLUG-20 STOR HEX SOCKET |
| 46 | CH9X-2199 | 1 | BOLT-M30X3.5X50 HHD 10.9 |
| 47 | 400058X1 | 8 | BOLT-M10X1.5X30 ZNDI HHD 10.9 |
| 48 | 400228X1 | 2 | BOLT-M10X1.5X20 ZNDI LK 10.9 |
| 49 | 500687D1 | 1 | SEAL-WIPER(DOUBLE LIP) |
| 50 | 500834D1 | 1 | SENSOR GP-PRESSURE |

[A] PART OF 502037D1 FRAME AR

502103DA
PR: t05k07n15a0015

MT800B SERIES TRACTORS
UNDERCARRIAGE

TENSIONER GP-BELT (RH)
502102D1
SPECIAL APPLICATIONS



**MT800B SERIES TRACTORS
UNDERCARRIAGE**

637

**TENSIONER GP-BELT (RH)
502102D1
SPECIAL APPLICATIONS**

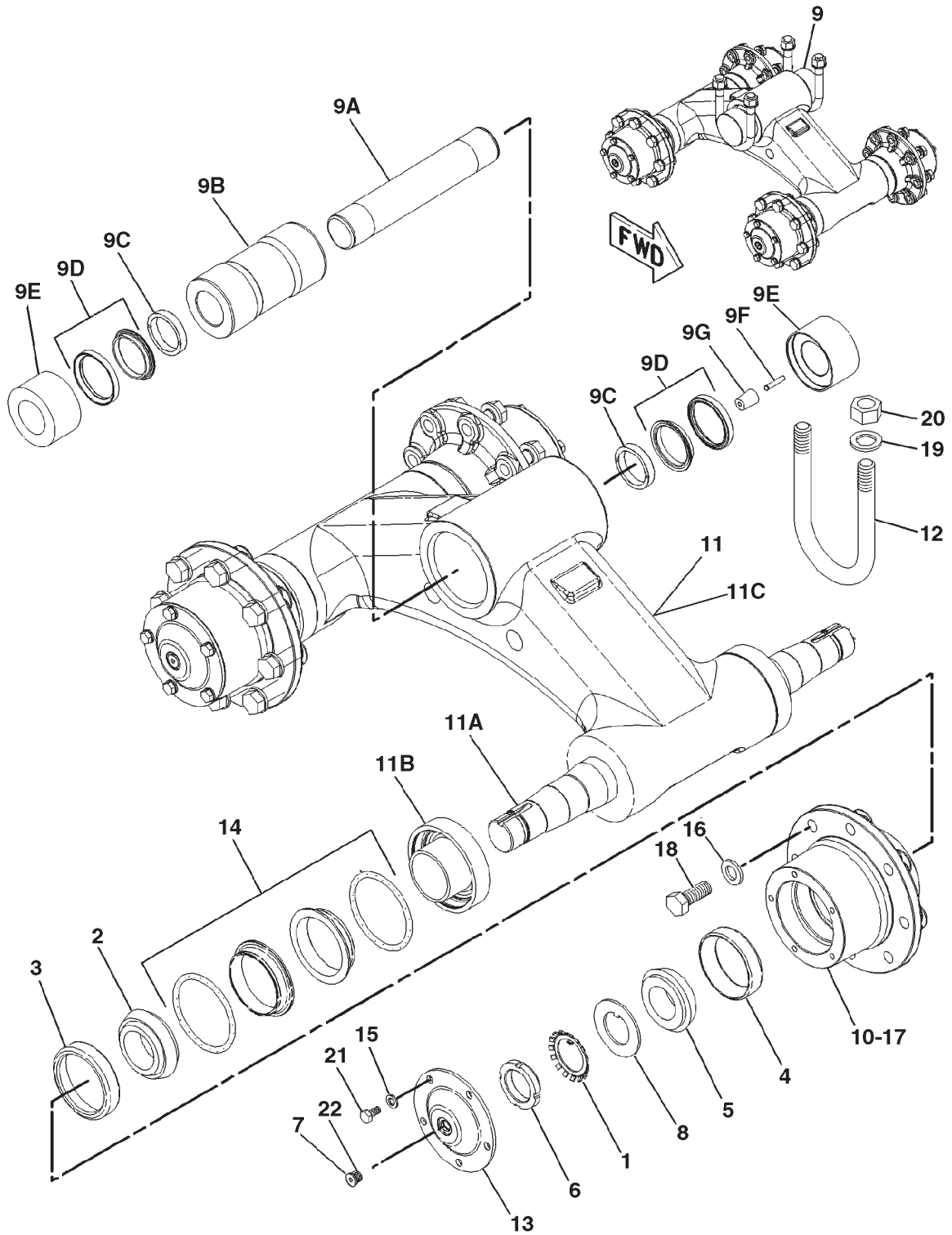
| ITEM | NUMBER | QTY | DESCRIPTION |
|------|------------|-----|---|
| - | 502102D1 | - | TENSIONER GP-BELT-RH [A] (NOT SERVICED) |
| 1 | 127-9562 | 1 | ROD AS |
| 2 | 127-9564 | 1 | GUIDE |
| 3 | 178-1202 | 1 | BRACKET AS.-RH |
| 4 | 178-1203 | 1 | BRACKET AS.-LH |
| 5 | 180-3667 | 1 | GUARD AS.-RH |
| 6 | 176-2968 | 1 | CYLINDER-RH (TENSIONER) |
| 7 | 400058X1 | 8 | BOLT-M10X1.5X30 ZNDI HHD 10.9 |
| 8 | 500687D1 | 1 | SEAL-WIPER(DOUBLE LIP) |
| 9 | 400318X1 | 2 | SEAL-O-RING 11.89IDX DIA1.98 |
| 10 | 400376X1 | 2 | SEAL-O-RING 29.74 IDX2.95 DIA |
| 11 | 400228X1 | 2 | BOLT-M10X1.5X20 ZNDI LK 10.9 |
| 12 | 500834D1 | 1 | SENSOR GP-PRESSURE |
| 13 | | | NOT USED |
| 14 | WR520610 | 1 | BOLT-M16-2.0X100,CL10.9,ZN,HHD |
| 15 | 7774664 | 2 | NUT-M10-1.5,CL10.9,ZN,H,REG |
| 16 | 400323X1 | 1 | CAP-DUST 12.6 DIA -RUBBER |
| 17 | 400375X1 | 1 | PLUG-16 STOR ZN HSHD |
| 18 | 400593X1 | 1 | SEAL-O-RING 37.46 IDX3 DIA |
| 19 | 502237D1 | 1 | ACCUMULATOR AS |
| 20 | 501094D1 | 1 | ADAPTER-1 7/8 |
| 21 | 501095D1 | 1 | CLAMP-SUPPORT |
| 22 | 501096D1 | 1 | SUPPOT AS-ACCUMULATOR |
| 23 | 502104D1 | 1 | FILM-WARNING(ACCUMULATOR) |
| 24 | CH108-5985 | 1 | VALVE-DISC RELIEF 8STOR |
| 25 | CH110-6349 | 1 | NIPPLE-QUICK CONNECT 4STOR (INCLS O-RING) |
| 26 | CH119-9708 | 2 | VALVE-NEEDLE M12X1.75-6G HEX |
| 27 | CH148-8305 | 1 | ADAPTER AS-6 STOR X 4 STOR 400318X1 SEAL-O-RING (11.89IDX1.98DIA) |
| 28 | CH164-0909 | 2 | SEAL-PIN 11.29 PINX71.4ODX6.35 |
| 29 | CH167-2209 | 1 | SEAL AS-98.83 BORE X 82.5 ROD |
| 30 | CH167-2320 | 1 | SEAL-UCUP 95.3 BORE X 82.5 ROD |
| 31 | CH175-2851 | 1 | TEE-8STOR X 8STOR X 5STOR |
| 32 | CH195-1104 | 1 | SPACER 30.5 IDX92 ODX15MM |
| 33 | CH1J-9671 | 1 | SEAL-O-RING 10.52IDX1.83DIA |
| 34 | CH1P-4278 | 1 | CLAMP-HOSE 5.5-15.88 ID X 8 |
| 35 | CH3B-8486 | 1 | FITTING-ZERK 45 DEG 2 NPTF ZN |
| 36 | CH3K-0360 | 2 | SEAL-O-RING 16.36IDX2.21DIA |
| 37 | CH4D-4431 | 1 | BEARING-SLF ALNG44.45 X 71.438 |
| 38 | CH5P-5777 | 1 | ADAPTER-16 STOR X 8 STOR |
| 39 | CH5P-6442 | AR | HOSE-BULK RUBBER 6.35ID (18CM) |
| 40 | CH6K-6307 | 2 | SEAL-O RING 43.69 IDX3DIA |
| 41 | CH6V-1657 | 1 | SEAL-RECT 116.4ODX3.4WX4.95THK |
| 42 | CH6V-6757 | 1 | ELBOW-90DEG 4NPTFX6.35 OD BARB |
| 43 | CH7X-7729 | 12 | WASHER-11IDX5ODX3MM |
| 44 | CH7Y-5217 | 4 | BOLT-SOCKET M20X2.5X70 |
| 45 | CH8C-9101 | 2 | RING-WEAR 82.5 IDX1.5X28.25 |
| 46 | CH8D-3886 | 1 | RING RETAIN INT 114.05 ODX2.8 |
| 47 | CH8T-4122 | 2 | WASHER HARD-17IDX32ODX3.5MM |
| 48 | CH8T-4132 | 1 | NUT-M16X2X14.8 |
| 49 | CH9S-8010 | 1 | PLUG-20 STOR HEX SOCKET |
| 50 | CH9X-2199 | 1 | BOLT-M30X3.5X50 HHD 10.9 |

[A] PART OF 502193D1 FRAME AR

502102DA
PR: t05k07n15a0016

MT800B SERIES TRACTORS
UNDERCARRIAGE

BOGIE GP - 130-4818



**MT800B SERIES TRACTORS
UNDERCARRIAGE**

639

BOGIE GP - 130-4818

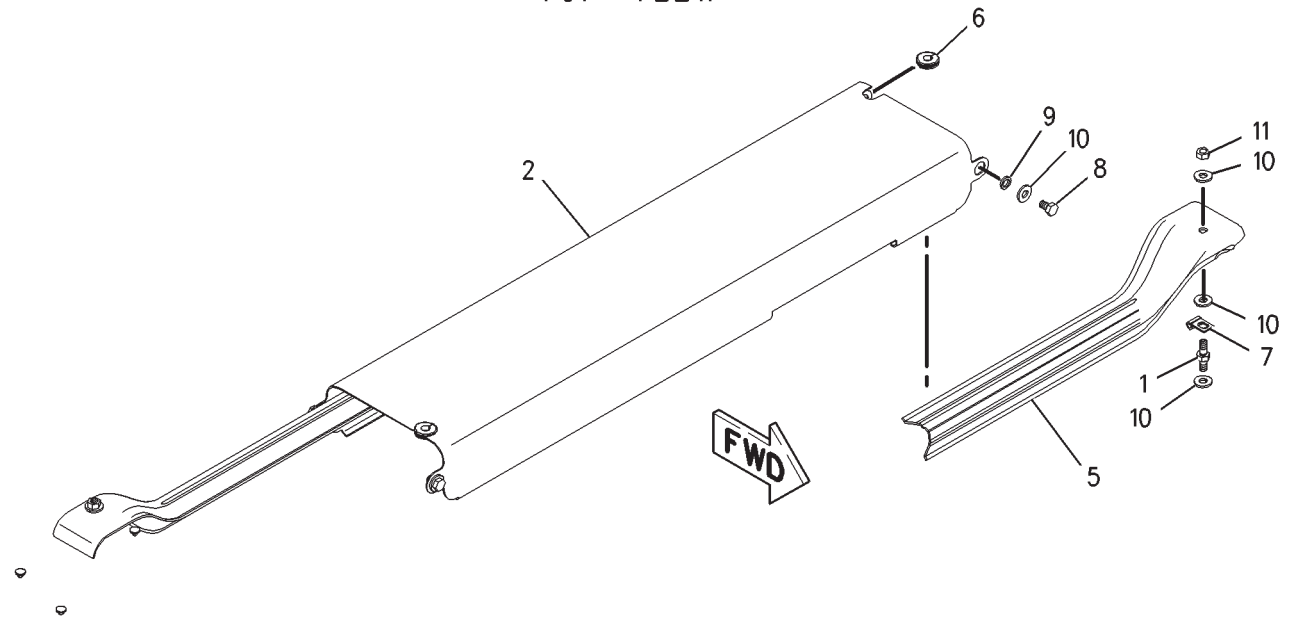
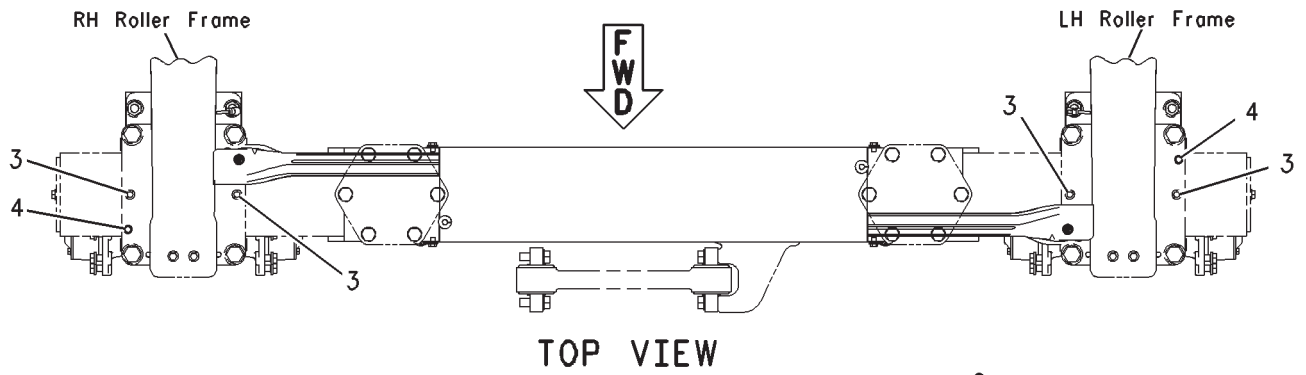
| ITEM | NUMBER | QTY | DESCRIPTION |
|------|------------|-----|-----------------------------------|
| - | 130-4818 | - | BOGIE GP [A] (NOT SERVICED) |
| 1 | CH1N-5970 | 4 | LOCKWASHER |
| 2 | CH5P-9651 | 4 | CONE-BEARING |
| 3 | CH5P-9652 | 4 | CUP-BEARING |
| 4 | CH6S-6031 | 4 | CUP-BEARING |
| 5 | CH6S-6032 | 4 | CONE-BEARING |
| 6 | CH8B-7614 | 4 | NUT-BEARING |
| 7 | 9S-8003 | 4 | PLUG |
| 8 | 054-1303 | 4 | WASHER |
| 9 | 500925D1 | 1 | PIN GP (INCLUDES 9A THRU 9G) |
| 9A | | 1 | PIN-TRACK (ORDER ITEM 9) |
| 9B | | 1 | BEARING-SLEEVE (ORDER ITEM 9) |
| 9C | | 2 | RING-THRUST (ORDER ITEM 9) |
| 9D | | 2 | SEAL ASM (ORDER ITEM 9) |
| 9E | | 2 | COLLAR (ORDER ITEM 9) |
| 9F | CH6Y-0473 | 1 | PLUG-CLEAR |
| 9G | CH7G-4332 | 1 | STOPPER |
| 10 | 127-9561 | 4 | HUB |
| 11 | 155-2939 | 1 | BOGIE ASM (INCLUDES 11A THRU 11C) |
| 11A | 154-8263 | 2 | AXLE |
| 11B | 154-8264 | 4 | RETAINER |
| 11C | | 1 | BOGIE MINOR (ORDER COMPLETE AS) |
| 12 | 400260X1 | 2 | U-BOLT |
| 13 | 156-6084 | 4 | COVER |
| 14 | 175-7513 | 4 | SEAL GP-DUO-CONE |
| 14A | CH8H-2262 | 2 | SEAL-O-RING |
| 14B | CH175-7514 | 2 | SEAL-RING |
| 15 | 400339X1 | 20 | WASHER-HARD (8.8X16X2) |
| 16 | 400082X1 | 32 | WASHER (17.5X30X3.5) |
| 17 | CH215-9463 | 4 | GASKET |
| 18 | 400191X1 | 32 | BOLT (M16X2X40MM) |
| 19 | 400080X1 | 4 | WASHER-PLATED (22X35X3.5) |
| 20 | 400286X1 | 4 | NUT (M20X2.5) |
| 21 | 400227X1 | 20 | BOLT (M8X1.25X16MM) |
| 22 | 1J-9671 | 4 | SEAL-O-RING |

[A] PART OF 156-4882; 156-4883 FRAME AR

0862331A
PR: t05b22n43d0267

MT800B SERIES TRACTORS
UNDERCARRIAGE

GUARD GP-LINES - 201-9928



**MT800B SERIES TRACTORS
UNDERCARRIAGE**

641

GUARD GP-LINES - 201-9928

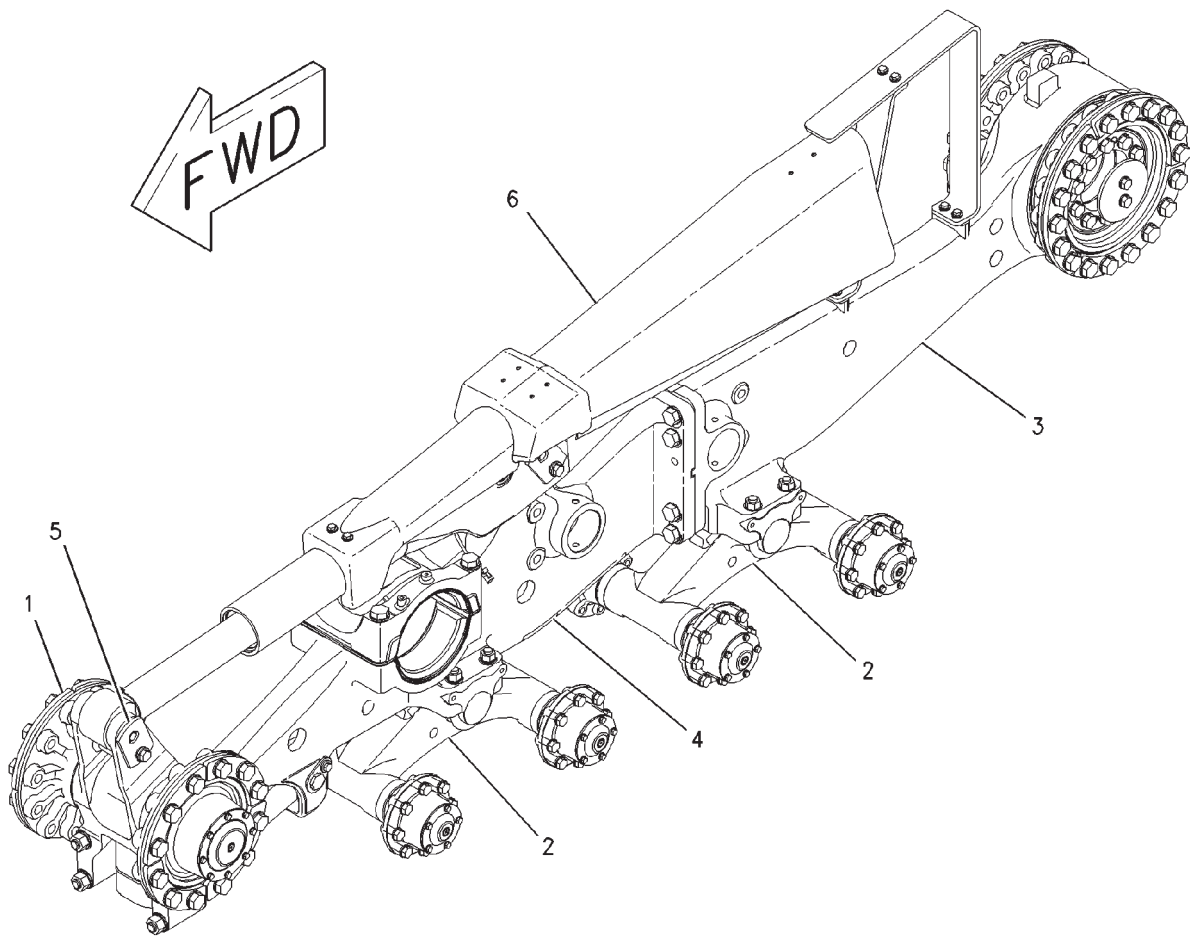
| ITEM | NUMBER | QTY | DESCRIPTION |
|------|------------|-----|---|
| - | 201-9928 | -- | (TENSIONER WIRE) GUARD GP-LINES (NOT SERVICED) |
| 1 | CH101-3129 | 2 | STUD (M10X1.5 THD) |
| 2 | 201-9932 | 1 | COVER |
| 3 | 400289X1 | 4 | PLUG-PROTECTIVE (M7) |
| 4 | CH193-5914 | 2 | PLUG-PROTECTIVE (M10) |
| 5 | 201-9931 | 2 | GUARD-WIRE |
| 6 | CH5P-8440 | 2 | GROMMET |
| 7 | CH5P-9085 | 2 | CLIP |
| 8 | 400023X1 | 4 | BOLT (M10X1.5X16MM) |
| 9 | CH7X-0561 | 4 | WASHER-HARD |
| 10 | CH7X-7729 | 10 | WASHER (11X25X3MM THK) |
| 11 | 7774664 | 2 | NUT (M10X1.5 THD) |
| 12 | CH7K-1181 | 4 | STRAP-CABLE (0.19X4) (NOT SHOWN) |

[A] PART OF 177-9946 UNDERCARRIAGE AR

00853303
PR: t05k07n15a0017

MT800B SERIES TRACTORS
UNDERCARRIAGE

FRAME AR-RH
156-4882



**MT800B SERIES TRACTORS
UNDERCARRIAGE**

643

**FRAME AR-RH
156-4882**

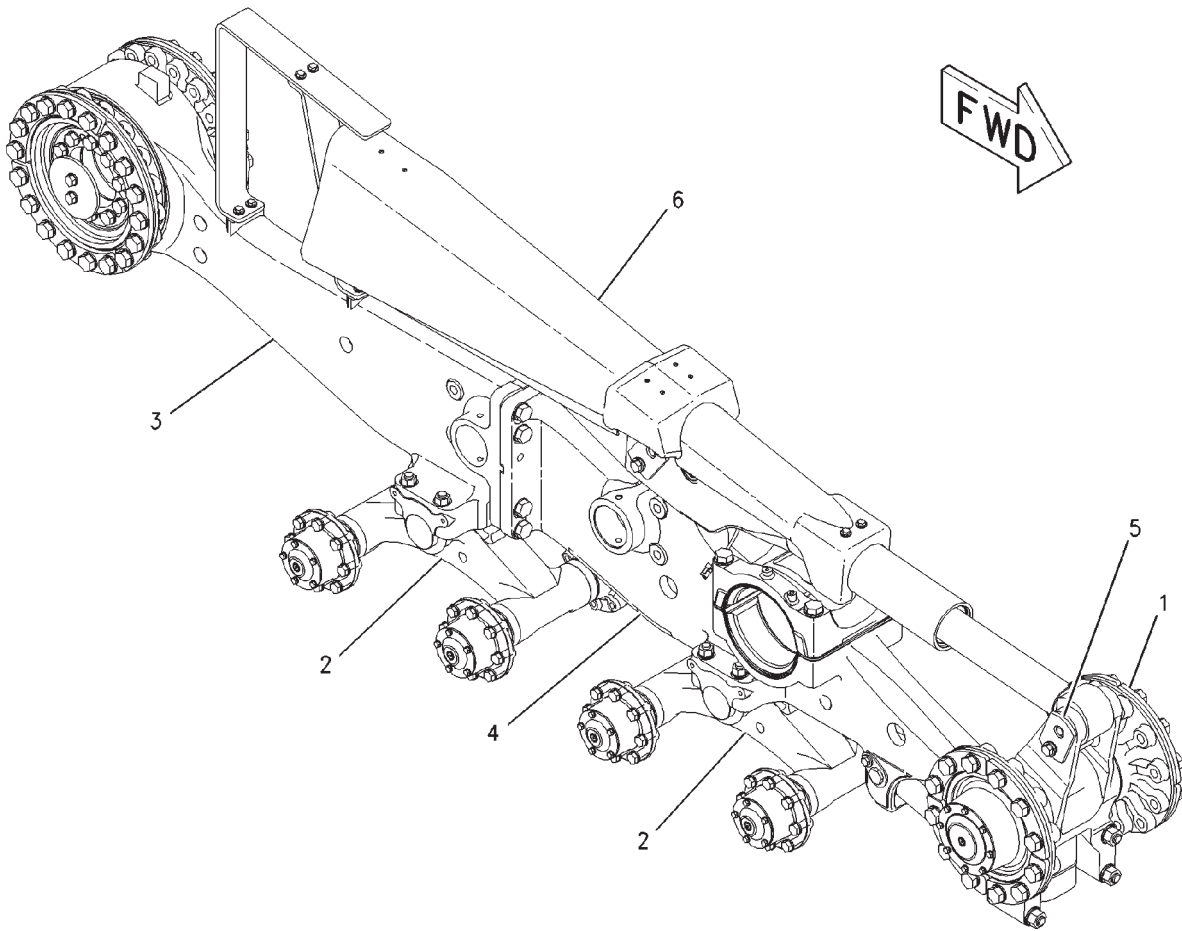
| ITEM | NUMBER | QTY | DESCRIPTION |
|------|----------|-----|--|
| - | 156-4882 | - | FRAME AR [A] (NOT SERVICED) |
| 1 | 127-9545 | 1 | IDLER GP (NOT SERVICED) (SEE BREAKDOWN FOR COMPONENTS) |
| 2 | 130-4818 | 2 | BOGIE GP (NOT SERVICED) (SEE BREAKDOWN FOR COMPONENTS) |
| 3 | 156-4884 | 1 | SUPPORT GP-DRIVE WHEEL (RH) (SEE BREAKDOWN FOR COMPONENTS) |
| 4 | 163-0678 | 1 | FRAME GP-TRACK ROLLER (NOT SERVICED) (SEE BREAKDOWN FOR COMPONENTS) |
| 5 | 184-6718 | 1 | MOUNTING GP-TENSIONER (NOT SERVICED) (SEE BREAKDOWN FOR COMPONENTS) |
| 6 | 500836D1 | 1 | BELT TENSIONER GP (NOT SERVICED) (SEE BREAKDOWN FOR COMPONENTS) |
| 7 | 502523D1 | 4 | CAP-PLUG (NOT SHOWN) |

[A] PART OF 156-4881 UNDERCARRIAGE AR

00838123
PR: t05b22n43d0268

MT800B SERIES TRACTORS
UNDERCARRIAGE

FRAME AR-LH
156-4883



**MT800B SERIES TRACTORS
UNDERCARRIAGE**

645

**FRAME AR-LH
156-4883**

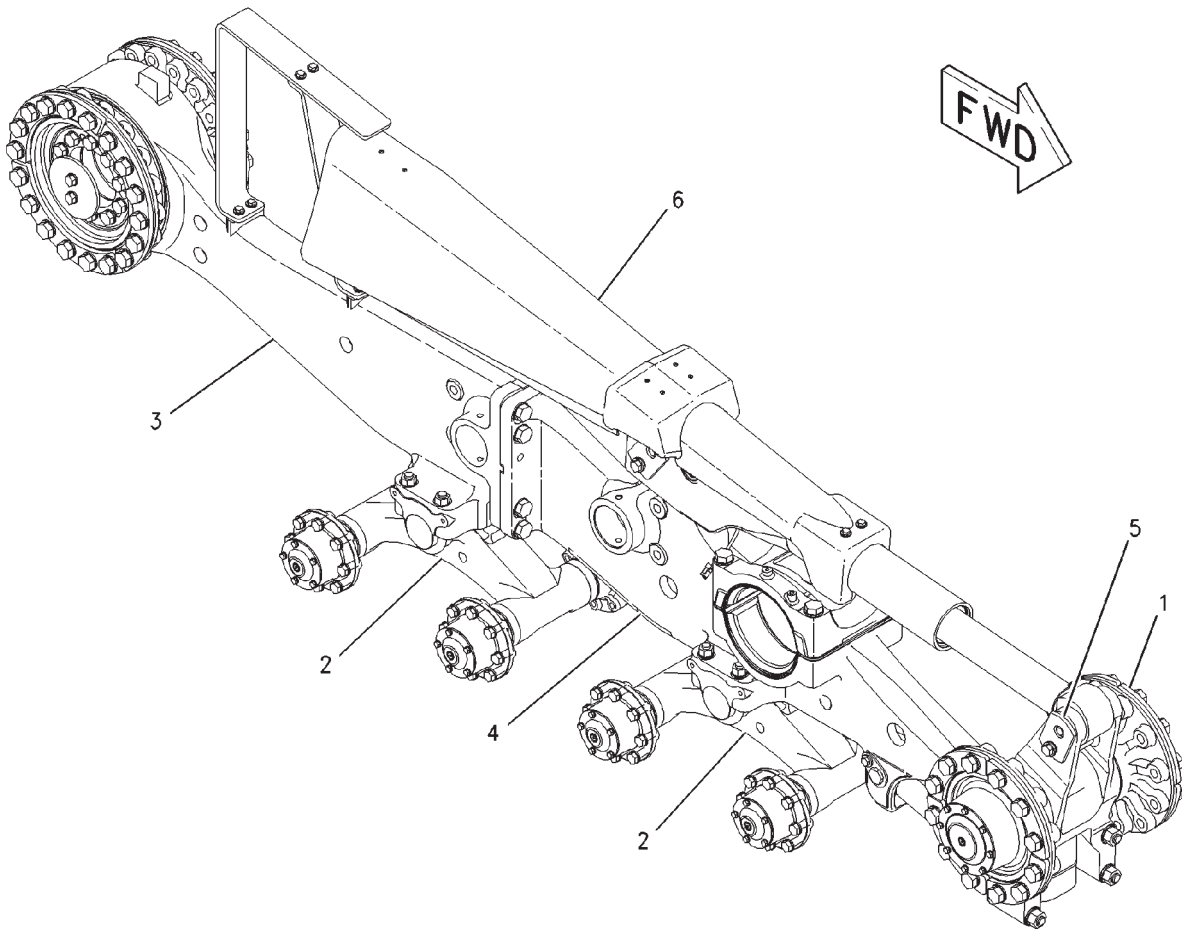
| ITEM | NUMBER | QTY | DESCRIPTION |
|------|----------|-----|--|
| - | 156-4883 | - | FRAME AR [A] (NOT SERVICED) |
| 1 | 127-9545 | 1 | IDLER GP (NOT SERVICED) (SEE BREAKDOWN FOR COMPONENTS) |
| 2 | 130-4818 | 2 | BOGIE GP (NOT SERVICED) (SEE BREAKDOWN FOR COMPONENTS) |
| 3 | 156-4885 | 1 | SUPPORT GP-DRIVE WHEEL(LH)(NOT SERVICED) (SEE BREAKDOWN FOR COMPONENTS) |
| 4 | 163-0678 | 1 | FRAME GP-TRACK ROLLER (NOT SERVICED) (SEE BREAKDOWN FOR COMPONENTS) |
| 5 | 184-6718 | 1 | MOUNTING GP-TENSIONER (NOT SERVICED) (SEE BREAKDOWN FOR COMPONENTS) |
| 6 | 500835D1 | 1 | BELT TENSIONER GP (NOT SERVICED) (SEE BREAKDOWN FOR COMPONENTS) |
| 7 | 502523D1 | 4 | CAP-PLUG (NOT SHOWN) |

[A] PART OF 156-4881 UNDERCARRIAGE AR

00837737
PR: t05b22n43d0269

**MT800B SERIES TRACTORS
UNDERCARRIAGE**

**FRAME AR-LH
502037D1
SPECIAL APPLICATIONS**



**MT800B SERIES TRACTORS
UNDERCARRIAGE**

647

**FRAME AR-LH
502037D1
SPECIAL APPLICATIONS**

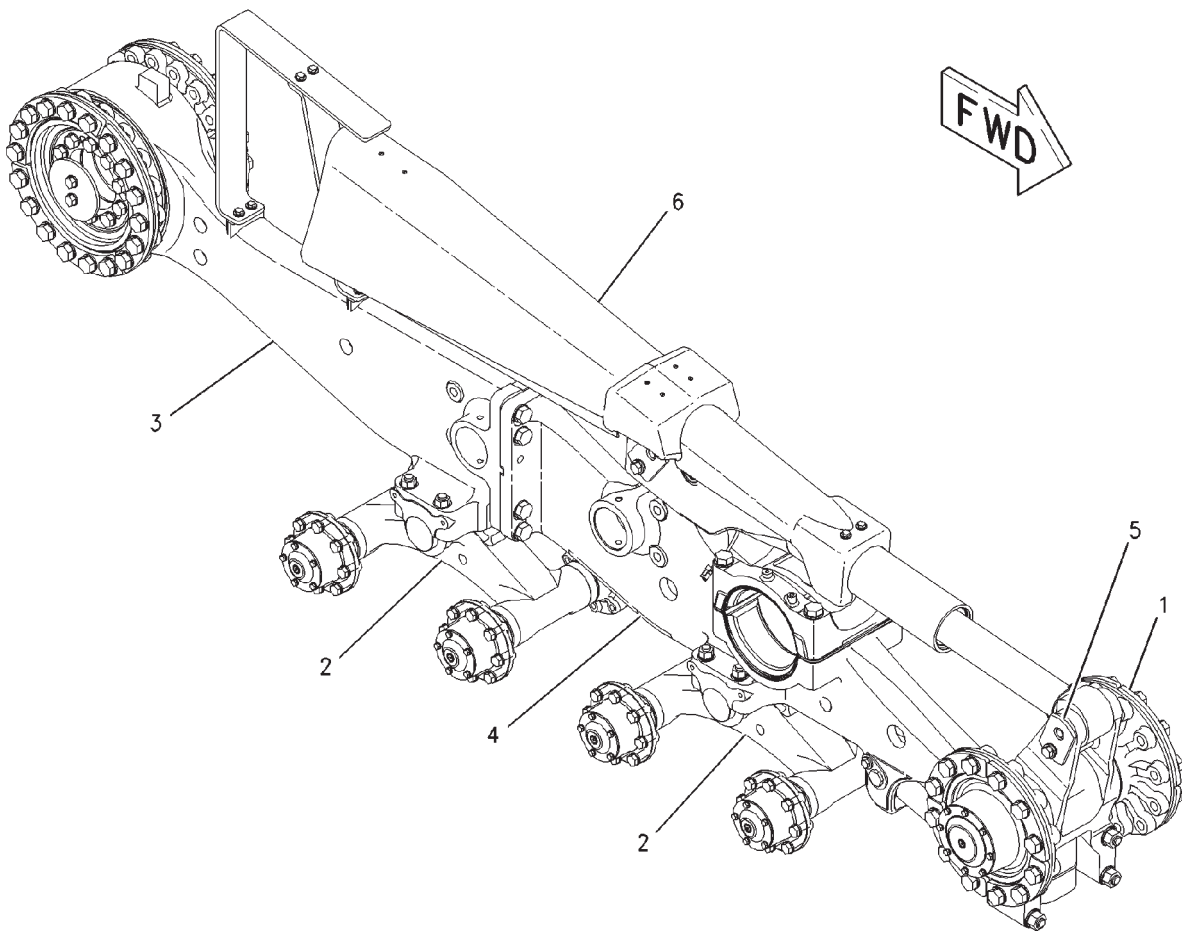
| ITEM | NUMBER | QTY | DESCRIPTION |
|------|----------|-----|--|
| - | 503493D1 | - | FRAME AR-LH (FIELD INSTALLED) |
| - | 502037D1 | - | FRAME AR-LH [A] (NOT SERVICED, ORDER) FIELD INSTALLED) |
| 1 | 127-9545 | 1 | IDLER GP (NOT SERVICED) (SEE BREAKDOWN FOR COMPONENTS) |
| 2 | 130-4818 | 2 | BOGIE GP (NOT SERVICED) (SEE BREAKDOWN FOR COMPONENTS) |
| 3 | 156-4885 | 1 | SUPPORT GP-DRIVE WHEEL(LH)(NOT SERVICED) (SEE BREAKDOWN FOR COMPONENTS) |
| 4 | 163-0678 | 1 | FRAME GP-TRACK ROLLER (NOT SERVICED) (SEE BREAKDOWN FOR COMPONENTS) |
| 5 | 184-6718 | 1 | MOUNTING GP-TENSIONER (NOT SERVICED) (SEE BREAKDOWN FOR COMPONENTS) |
| 6 | 502103D1 | 1 | BELT TENSIONER GP (NOT SERVICED) (SEE BREAKDOWN FOR COMPONENTS) |
| 7 | 502523D1 | 4 | CAP-PLUG (NOT SHOWN) |

[A] PART OF 502325D1; 503493D1
UNDERCARRIAGE AR

00837737
PR: t05b22n43d0270

**MT800B SERIES TRACTORS
UNDERCARRIAGE**

FRAME AR-RH
502193D1
SPECIAL APPLICATIONS



**MT800B SERIES TRACTORS
UNDERCARRIAGE**

649

**FRAME AR-RH
502193D1
SPECIAL APPLICATIONS**

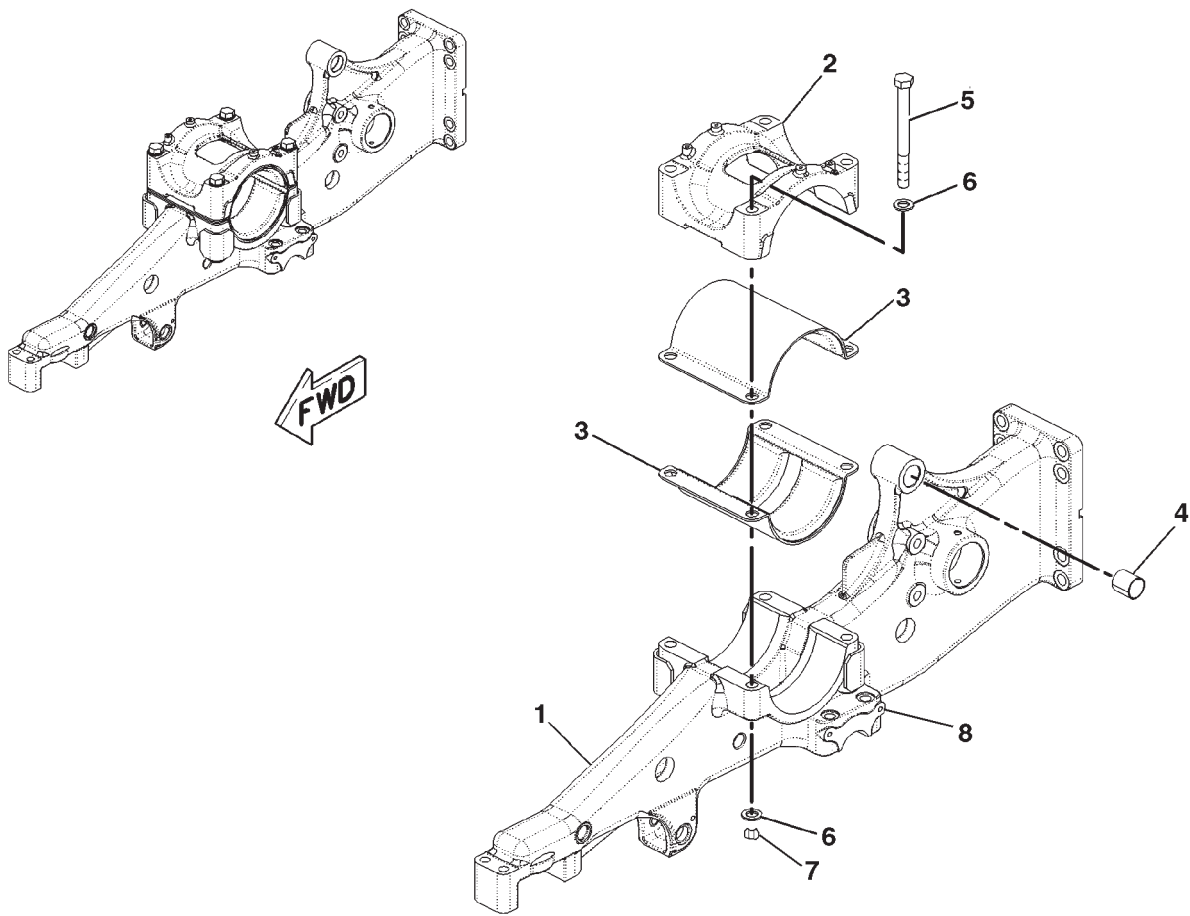
| ITEM | NUMBER | QTY | DESCRIPTION |
|------|----------|-----|--|
| - | 503494D1 | - | FRAME AR (FIELD INSTALLED) |
| - | 502193D1 | - | FRAME AR-RH [A] (NOT SERVICED, ORDER FIELD INSTALLED) |
| 1 | 127-9545 | 1 | IDLER GP (NOT SERVICED) (SEE BREAKDOWN FOR COMPONENTS) |
| 2 | 130-4818 | 2 | BOGIE GP (NOT SERVICED) (SEE BREAKDOWN FOR COMPONENTS) |
| 3 | 156-4885 | 1 | SUPPORT GP-DRIVE WHEEL(LH)(NOT SERVICED) (SEE BREAKDOWN FOR COMPONENTS) |
| 4 | 163-0678 | 1 | FRAME GP-TRACK ROLLER (NOT SERVICED) (SEE BREAKDOWN FOR COMPONENTS) |
| 5 | 184-6718 | 1 | MOUNTING GP-TENSIONER (NOT SERVICED) (SEE BREAKDOWN FOR COMPONENTS) |
| 6 | 502102D1 | 1 | BELT TENSIONER GP (NOT SERVICED) (SEE BREAKDOWN FOR COMPONENTS) |
| 7 | 502523D1 | 4 | CAP-PLUG (NOT SHOWN) |

[A] PART OF 502325D1; 503494D1
UNDERCARRIAGE AR

00837737
PR: t05b22n43d0271

MT800B SERIES TRACTORS
UNDERCARRIAGE

FRAME GP-TRACK ROLLER - 163-0678



**MT800B SERIES TRACTORS
UNDERCARRIAGE**

651

FRAME GP-TRACK ROLLER - 163-0678

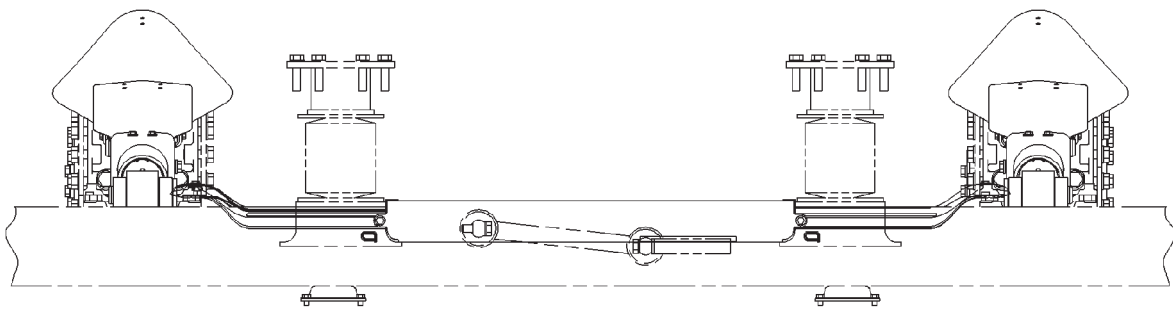
| ITEM | NUMBER | QTY | DESCRIPTION |
|------|----------|-----|--|
| - | 163-0678 | - | FRAME GP-TRACK ROLLER [A] (NOT SERVICED) |
| 1 | 197-3667 | 1 | FRAME |
| 2 | 192-7901 | 1 | CAP |
| 3 | 214-4661 | 2 | BEARING ASM |
| 4 | 168-7710 | 1 | BEARING |
| 5 | 400014X1 | 4 | BOLT (M24X3X255MM) |
| 6 | 400081X1 | 8 | WASHER-HARD (26X44X4) |
| 7 | 223-4304 | 4 | NUT |
| 8 | 193-5915 | 4 | PLUG |

[A] PART OF 156-4882; 156-4883 FRAME AR

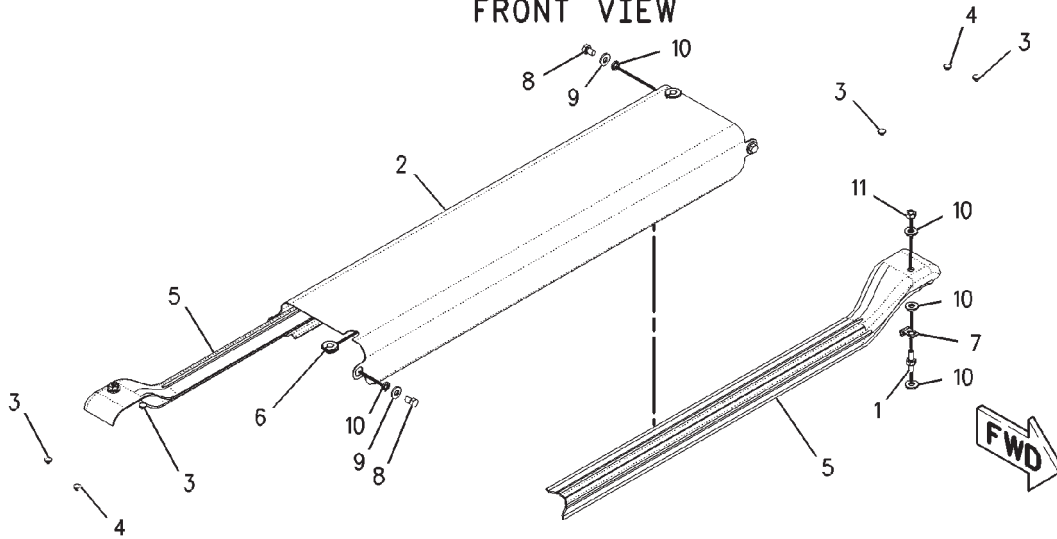
0850720A
PR: t05b22n43d0272

MT800B SERIES TRACTORS
UNDERCARRIAGE

GUARD GP-LINES - 201-9927
TENSIONER WIRE



FRONT VIEW



**MT800B SERIES TRACTORS
UNDERCARRIAGE**

653

**GUARD GP-LINES - 201-9927
TENSIONER WIRE**

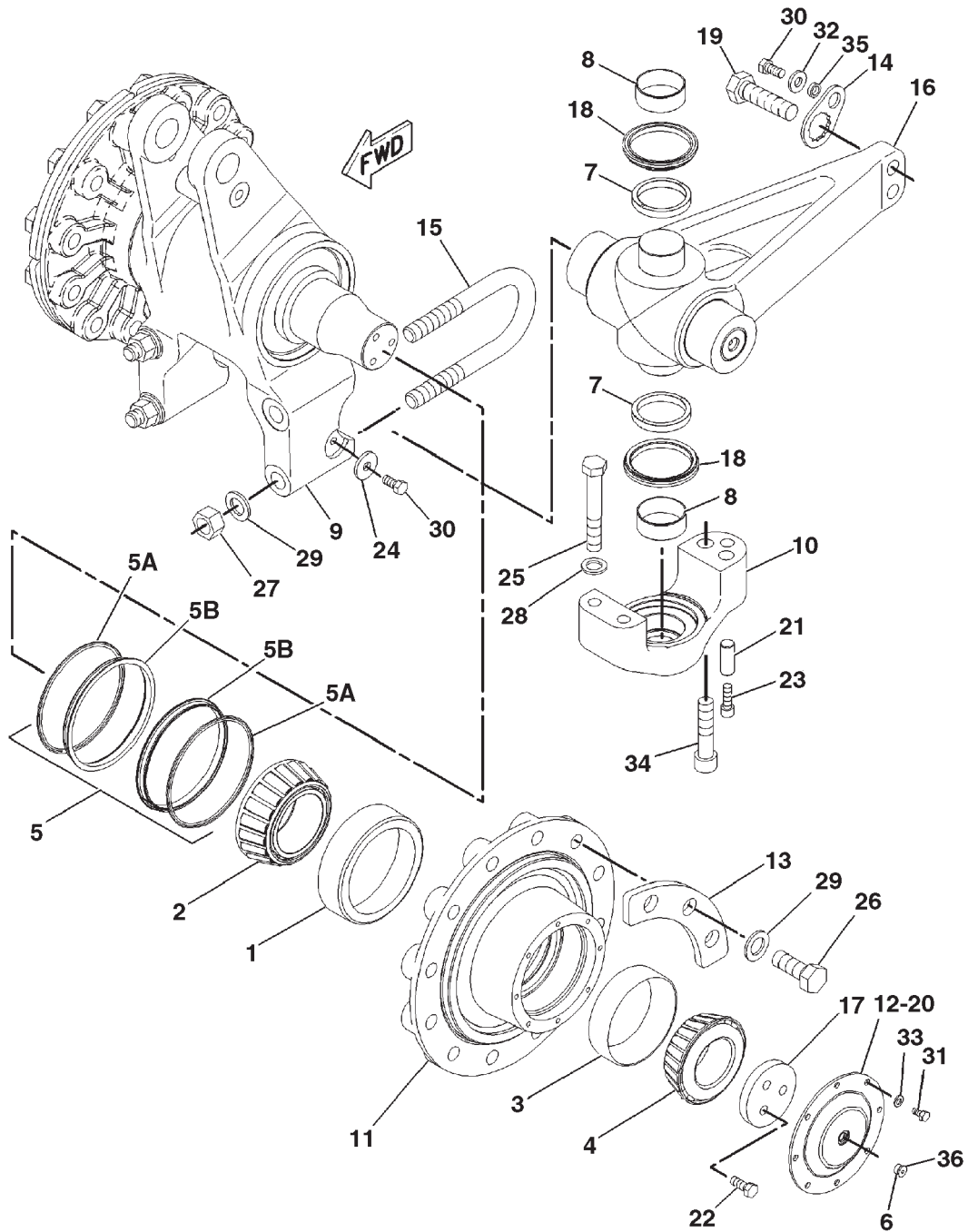
| ITEM | NUMBER | QTY | DESCRIPTION |
|------|-----------|-----|-----------------------------------|
| - | 201-9927 | - | GUARD GP-LINES [A] (NOT SERVICED) |
| 1 | 101-3129 | 2 | STUD (M10X1.5) |
| 2 | 201-9932 | 1 | COVER |
| 3 | 193-5913 | 4 | PLUG |
| 4 | 193-5914 | 2 | PLUG |
| 5 | 201-9930 | 2 | GUARD-WIRE |
| 6 | 5P-8440 | 2 | GROMMET |
| 7 | 5P-9085 | 2 | CLIP |
| 8 | 6V-8455 | 4 | BOLT (M10X1.5X16MM) |
| 9 | 7X-0561 | 4 | WASHER-HARD (12X18.5X3) |
| 10 | CH7X-7729 | 10 | WASHER (11X25X3) |
| 11 | 7774664 | 2 | NUT (M10X1.5) |

[A] PART OF 156-4881 UNDERCARRIAGE AR

00853301
PR: t05b22n43d0273

MT800B SERIES TRACTORS
UNDERCARRIAGE

IDLER GP - 127-9545



**MT800B SERIES TRACTORS
UNDERCARRIAGE**

655

IDLER GP - 127-9545

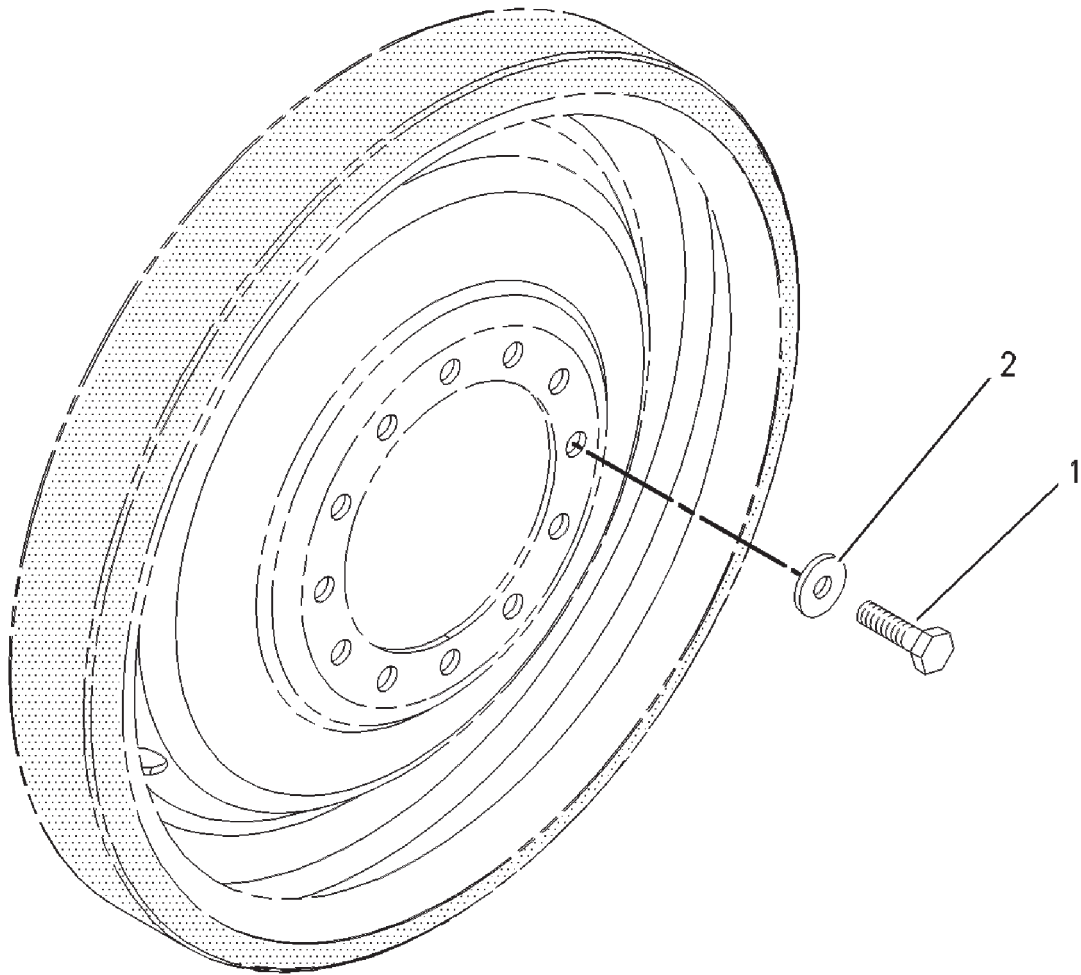
| ITEM | NUMBER | QTY | DESCRIPTION |
|------|------------|-----|----------------------------------|
| - | 127-9545 | - | IDLER GP [A] (NOT SERVICED) |
| 1 | CH1J-2860 | 2 | CUP-BEARING |
| 2 | CH1J-4757 | 2 | CONE-BEARING |
| 3 | CH2D-9454 | 2 | CUP-BEARING |
| 4 | CH2D-9455 | 2 | CONE-BEARING |
| 5 | CH5K-1078 | 2 | SEAL GP-DUO-CONE |
| 6 | CH9S-8003 | 2 | PLUG |
| 7 | CH9W-9625 | 2 | RING-THRUST |
| 8 | CH108-6075 | 2 | BUSHING |
| 9 | CH127-9548 | 1 | LINK-SWING |
| 10 | CH127-9553 | 1 | CAP |
| 11 | CH127-9554 | 2 | HUB |
| 12 | CH156-4897 | 2 | COVER |
| 13 | CH156-4900 | 8 | PLATE |
| 14 | CH202-8633 | 2 | PLATE-LOCK |
| 15 | 400261X1 | 2 | U-BOLT |
| 16 | CH160-3957 | 1 | LEVER GP-IDLER |
| | 500925D1 | 1 | PIN AS (SERVICED BY ** ITEMS) |
| | CH6Y-0473 | 1 | **PLUG-CLEAR |
| | CH7G-4332 | 1 | **STOPPER |
| 17 | CH160-5223 | 2 | PLATE |
| 18 | 501934D1 | 2 | SEAL ASM |
| 19 | 190-0768 | 2 | BOLT (M24X3X88MM) |
| 20 | 215-9464 | 2 | GASKET |
| 21 | CH4K-7239 | 1 | DOWEL |
| 22 | 400227X1 | 6 | BOLT (M12X1.75X30MM) |
| 23 | 400002X1 | 1 | BOLT-SOCKET HEAD (M12X1.75X35MM) |
| 24 | CH7X-0618 | 2 | WASHER-HARD (13.5X40X5) |
| 25 | 400027X1 | 2 | BOLT (M20X2.5X130MM) |
| 26 | 400035X1 | 12 | BOLT (M24X3X60MM) |
| 27 | CH8T-4001 | 4 | NUT (M24X3) |
| 28 | 400080X1 | 2 | WASHER-PLATED (22X35X3.5) |
| 29 | 400081X1 | 16 | WASHER-HARD (26X44X4) |
| 30 | 400055X1 | 4 | BOLT (M12X1.75X25MM) |
| 31 | 400227X1 | 16 | BOLT (M8X1.25X16MM) |
| 32 | 400381X1 | 2 | WASHER-HARD (13.5X30X4) |
| 33 | 400339X1 | 16 | WASHER-HARD (8.8X16X2) |
| 34 | 400142X1 | 2 | BOLT-SOCKET HEAD (M20X2.5X90) |
| 35 | CH202-9701 | 2 | SPACER (12.95X19.05X5) |
| 36 | 1J-9671 | 2 | SEAL-O-RING |

[A] PART OF 156-4882; 156-4883 FRAME AR

0862342A
PR: t05b22n43d0274

MT800B SERIES TRACTORS
UNDERCARRIAGE

MOUNTING GP-IDLER - 177-4589



**MT800B SERIES TRACTORS
UNDERCARRIAGE**

657

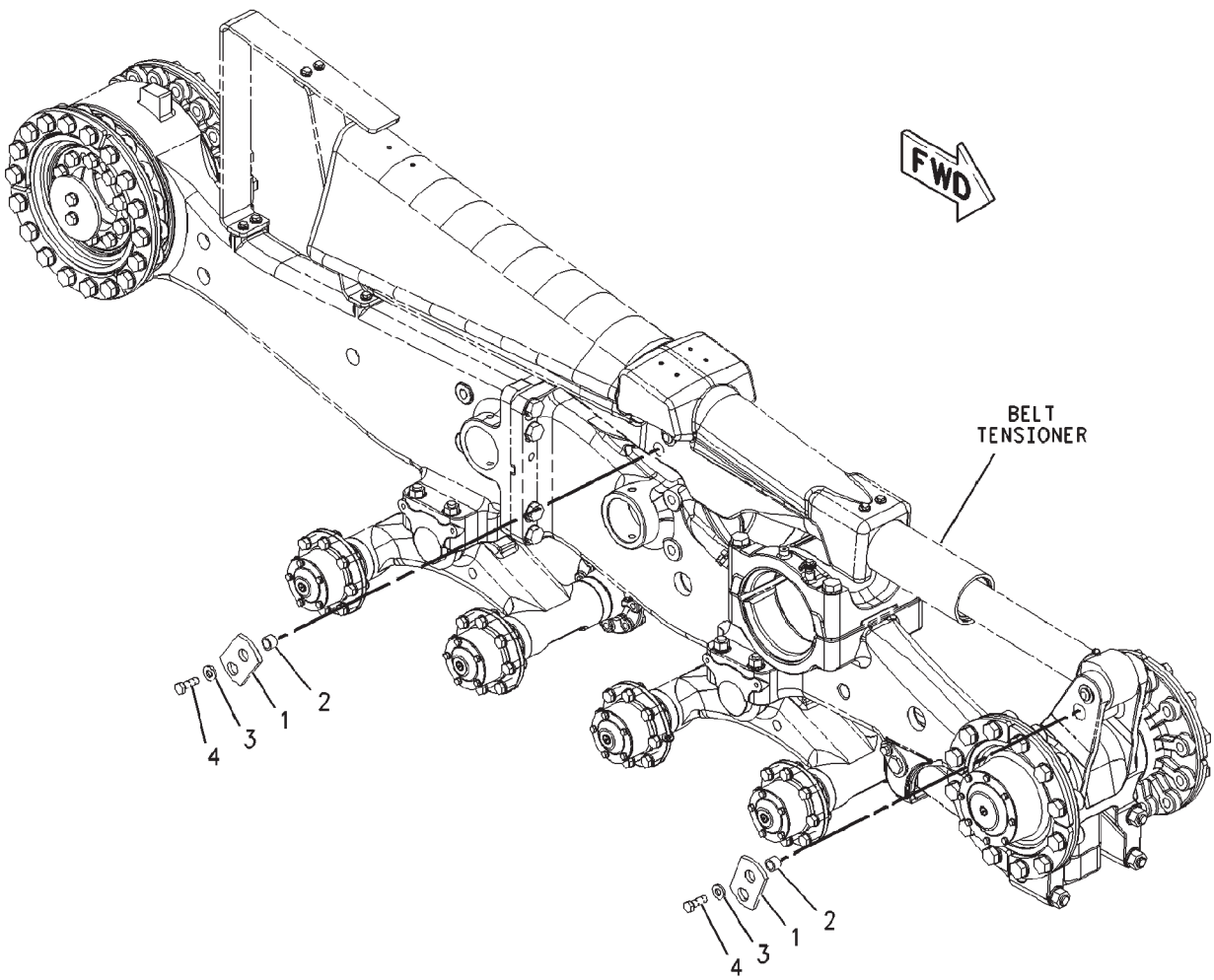
MOUNTING GP-IDLER - 177-4589

| ITEM | NUMBER | QTY | DESCRIPTION |
|------|----------|-----|----------------------------------|
| - | 177-4589 | - | MOUNTING GP-IDLER (NOT SERVICED) |
| 1 | 400035X1 | 24 | BOLT (M24X3X60MM) |
| 2 | 400081X1 | 24 | WASHER-HARD (26X44X4) |

00640046
PR: t05b22n43d0275

MT800B SERIES TRACTORS
UNDERCARRIAGE

MOUNTING GP-TENSIONER - 184-6718
TRACK BELT



MT800B SERIES TRACTORS
UNDERCARRIAGE

659

MOUNTING GP-TENSIONER - 184-6718
TRACK BELT

| ITEM | NUMBER | QTY | DESCRIPTION |
|------|------------|-----|--|
| - | 184-6718 | - | MOUNTING GP-TENSIONER [A] (NOT SERVICED) |
| 1 | CH190-3576 | 2 | PIN ASM |
| 2 | 190-3583 | 2 | SPACER (20X28.6X19) |
| 3 | CH7X-0515 | 2 | WASHER-HARD (17X35X5) |
| 4 | 400244X1 | 2 | BOLT (M16X2.0X45MM) |

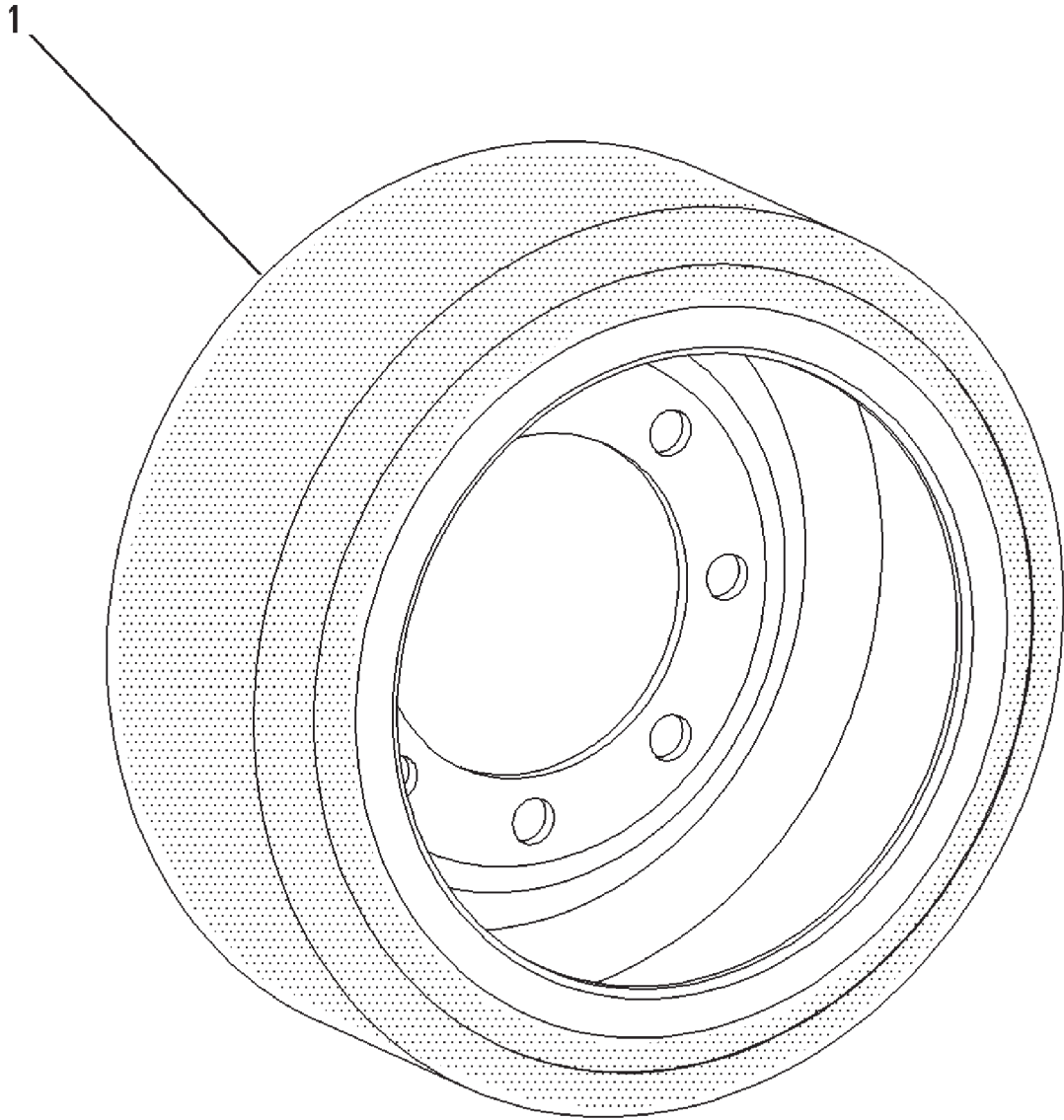
[A] PART OF 156-4882; 156-4883 FRAME AR

00851415
PR: t05b22n43d0276

660

MT800B SERIES TRACTORS
UNDERCARRIAGE

ROLLER AR - 156-4891
MIDDLE 112 MM (4.4 IN)



00648929

**MT800B SERIES TRACTORS
UNDERCARRIAGE**

661

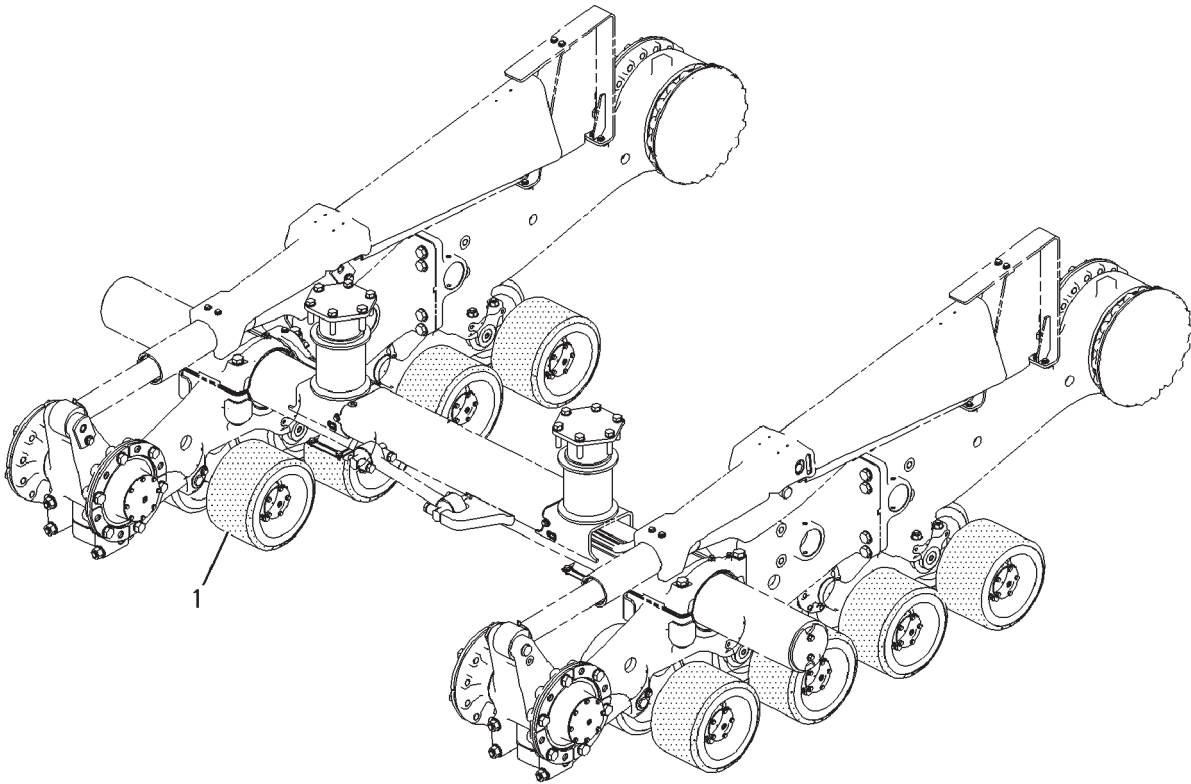
**ROLLER AR - 156-4891
MIDDLE 112 MM (4.4 IN)**

| ITEM | NUMBER | QTY | DESCRIPTION |
|------|----------|-----|--|
| - | 156-4891 | - | ROLLER AR (NOT SERVICED) |
| 1 | 502931D1 | 16 | ROLLER ASM |
| - | 502159D1 | - | ROLLER AR (INCLUDES 8 OF ITEM 1) (NOT SERVICED) |

00648929
PR: t05b22n43d0277

**MT800B SERIES TRACTORS
UNDERCARRIAGE**

**ROLLER AR - 156-4893
MIDDLE 204 MM (8 IN)**



**MT800B SERIES TRACTORS
UNDERCARRIAGE**

663

**ROLLER AR - 156-4893
MIDDLE 204 MM (8 IN)**

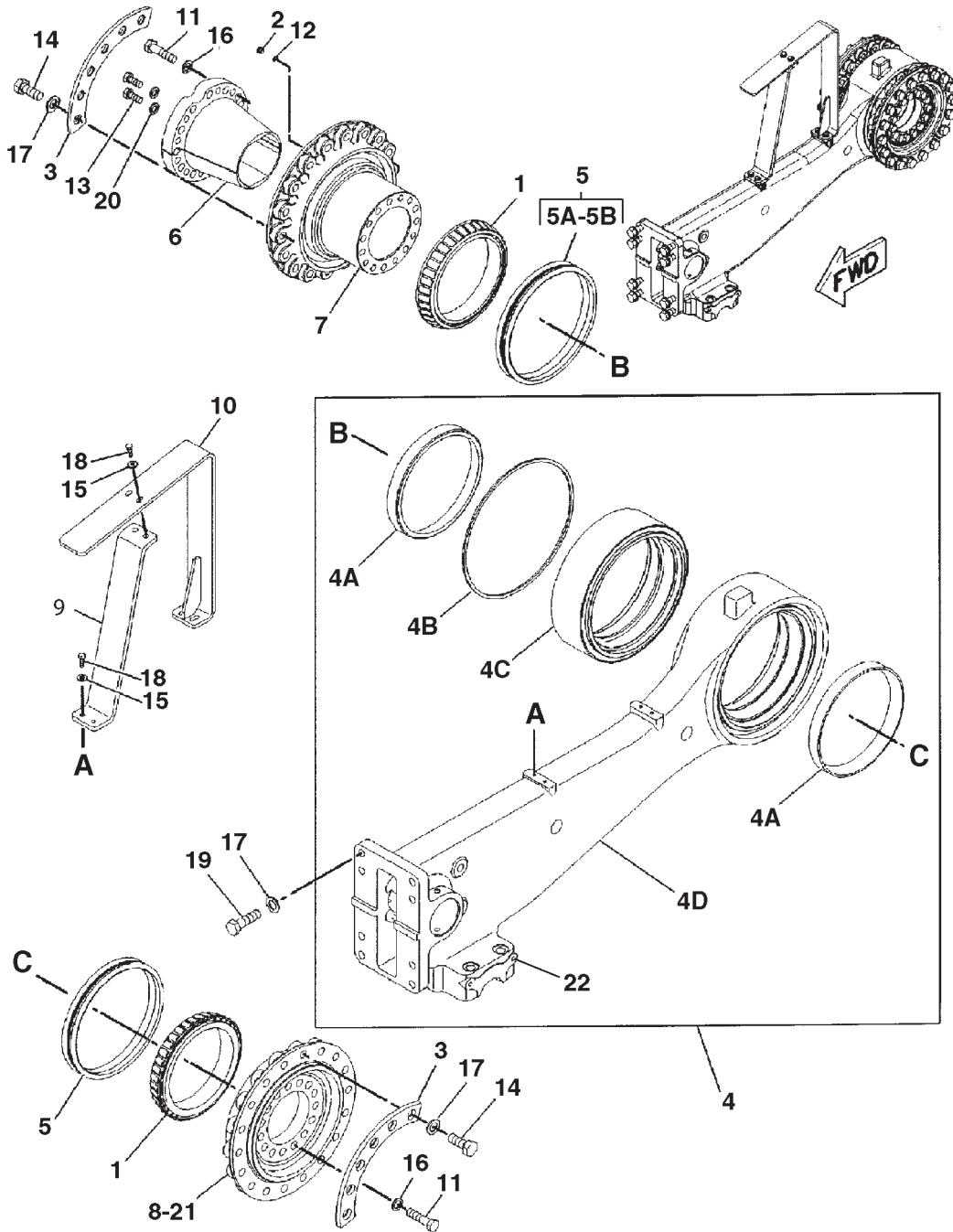
| ITEM | NUMBER | QTY | DESCRIPTION |
|------|----------|-----|--|
| - | 502786D1 | - | ROLLER AR [R] (FIELD) (ROW ONLY) |
| - | 502914D1 | - | ROLLER AR (FACTORY) (NOT SERVICED, ORDER ITEM 1) |
| - | 156-4893 | - | MIDROLLER WHEEL AR [A] (REF) (NOT SERVICED, ORDER ITEM 1) |
| 1 | 502932D1 | 16 | ROLLER ASM |
| - | 502162D1 | - | ROLLER AR (FIELD) (INCLUDES 8 OF ITEM 1) (NOT SERVICED) |

[A] PART OF 502768D1;502914D1 ROLLER AS
[R] PART OF SPECIAL APPS PKG

00885773
PR: t05b22n43d0278

MT800B SERIES TRACTORS
UNDERCARRIAGE

SUPPORT GP-DRIVE WHEEL - 156-4884
RIGHT HAND



**MT800B SERIES TRACTORS
UNDERCARRIAGE**

665

**SUPPORT GP-DRIVE WHEEL - 156-4884
RIGHT HAND**

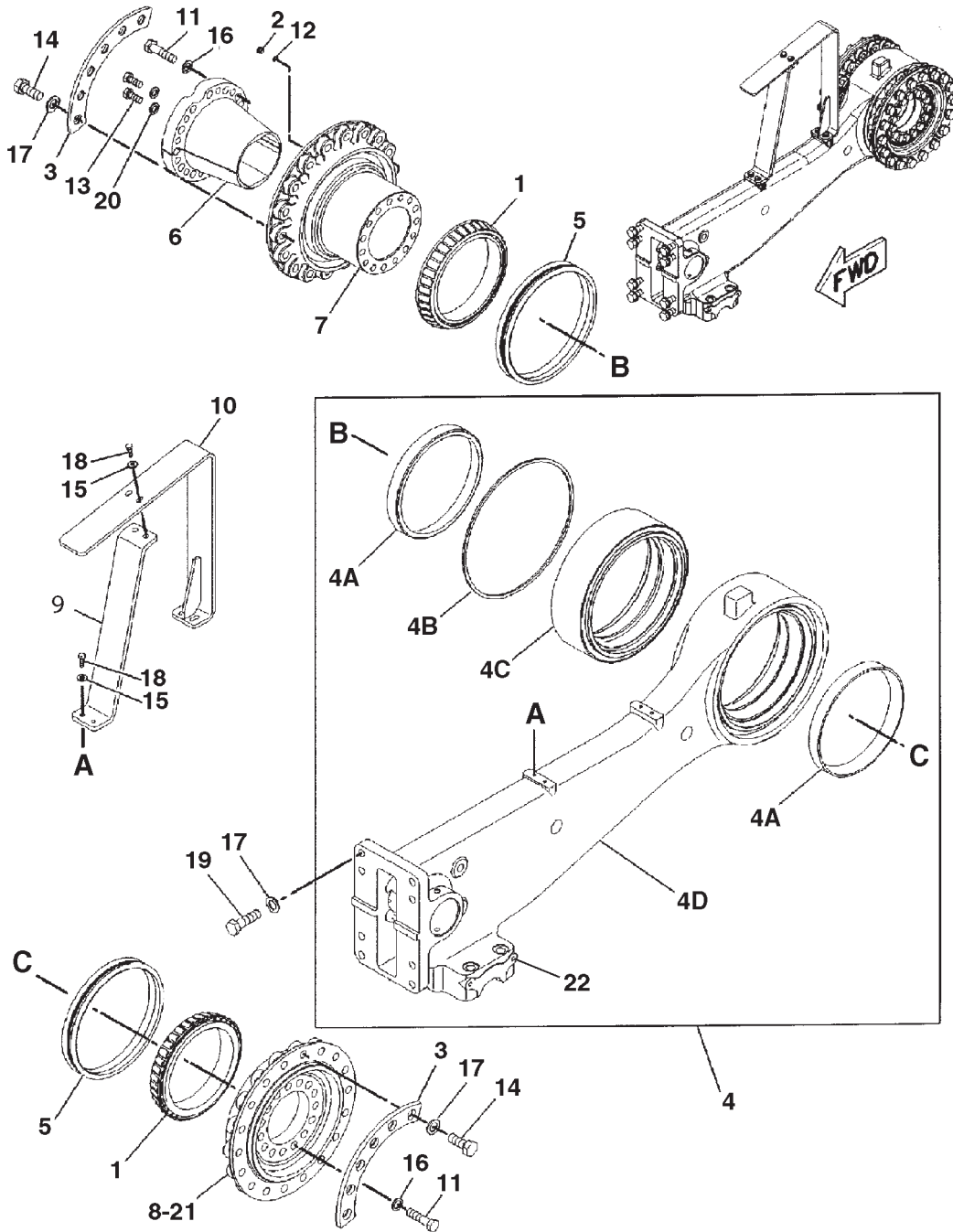
| ITEM | NUMBER | QTY | DESCRIPTION |
|------|------------|-----|---|
| - | 156-4884 | - | SUPPORT GP-DRIVE WHEEL [A] (NOT SERVICED) |
| 1 | 503061D1 | 2 | CONE-BEARING |
| 2 | 9S-8003 | 1 | PLUG |
| 3 | 156-8343 | 6 | PLATE-BACKUP |
| 4 | 161-1817 | 1 | ARM ASM (ORDER COMPLETE OR 4A THRU 4C) |
| 4A | CH3D-9133 | 2 | CUP-BEARING |
| 4B | 400098X1 | 1 | RING-RETAINING |
| 4C | CH190-3391 | 1 | HOUSING ASM |
| 4D | | 1 | ARM-REACTION (NOT SERVICED SEPARATELY) |
| 5 | CH174-4874 | 2 | SEAL GP-DUO-CONE |
| 6 | 184-4356 | 1 | COLLET |
| 7 | 500396D2 | 1 | HUB-OUTER |
| 8 | 500395D2 | 1 | HUB-INNER |
| 9 | 205-9961 | 1 | BRACKET ASM |
| | CH8T-3490 | 2 | NUT-WELD (M10X1.5) |
| 10 | 205-9962 | 1 | BRACKET |
| 11 | 400272X1 | 27 | BOLT (M20X2.5X80MM) |
| 12 | 1J-9671 | 1 | SEAL-O-RING |
| 13 | 400191X1 | 2 | BOLT (M16X2X40MM) |
| 14 | 400035X1 | 36 | BOLT (M24X3X60MM) |
| 15 | CH7X-7729 | 6 | WASHER (11X25X3) |
| 16 | 400080X1 | 27 | WASHER-PLATED (22X35X3.5) |
| 17 | 400081X1 | 44 | WASHER-HARD (26X44X4) |
| 18 | 400058X1 | 4 | BOLT (M10X1.5X30MM) |
| 19 | 400067X1 | 8 | BOLT (M24X3X80MM) |
| 20 | 400082X1 | 2 | WASHER (17.5X30X3.5) |
| 21 | CH1U-8846 | | SEALANT-GASKET |
| 22 | 193-5915 | 4 | PLUG |
| 23 | 400058X1 | 2 | BOLT-BSHCS (M10X1.5X40MM) (NOT SHOWN) (USED WITH ITEMS 9 & 10) |

[A] PART OF 156-4882; 502193D1 FRAME AR

0829713A
PR: t05b22n43d0279

MT800B SERIES TRACTORS
UNDERCARRIAGE

SUPPORT GP-DRIVE WHEEL - 156-4885
LEFT HAND



**MT800B SERIES TRACTORS
UNDERCARRIAGE**

667

**SUPPORT GP-DRIVE WHEEL - 156-4885
LEFT HAND**

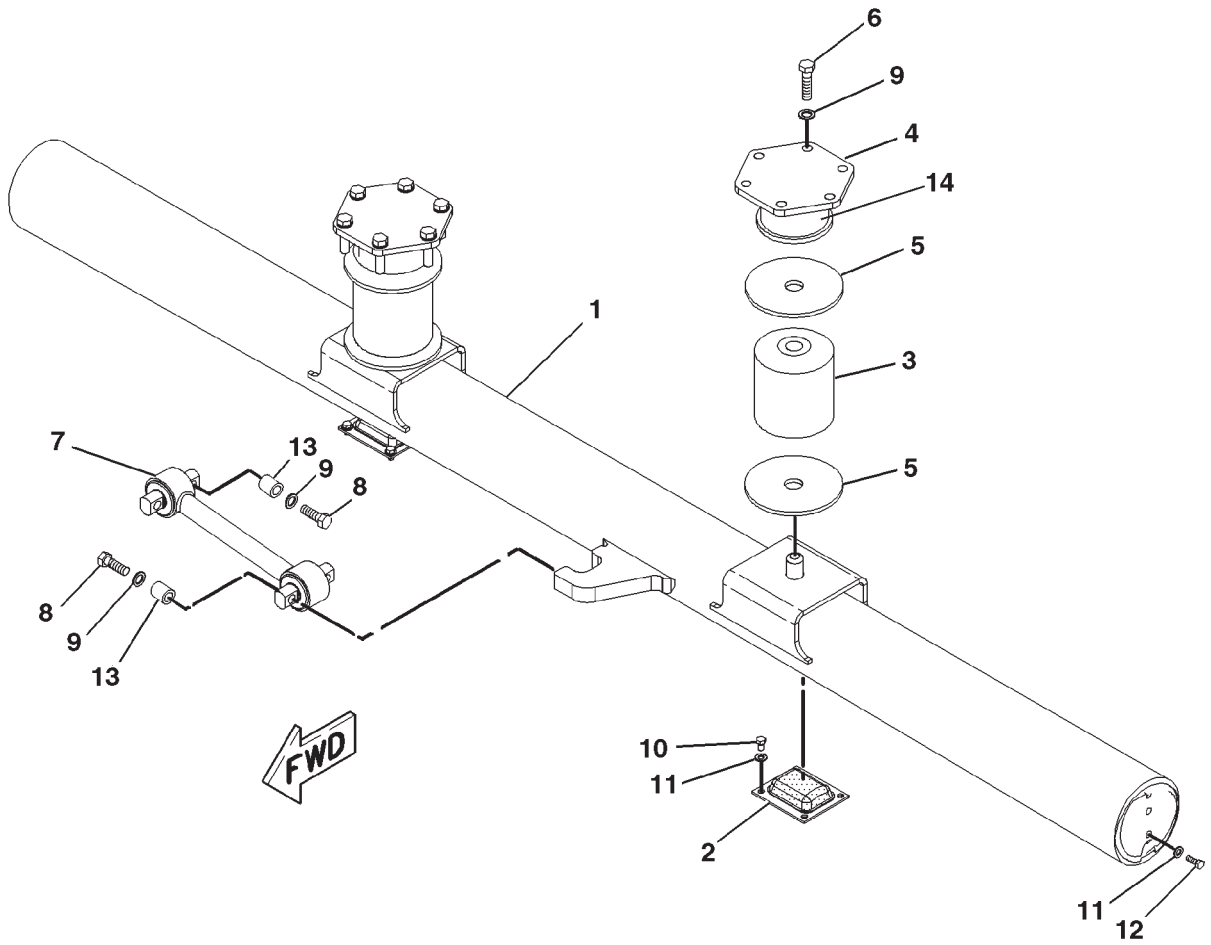
| ITEM | NUMBER | QTY | DESCRIPTION |
|------|------------|-----|---|
| - | 156-4885 | - | SUPPORT GP-DRIVE WHEEL [A] (NOT SERVICED) |
| 1 | 503061D1 | 2 | CONE-BEARING |
| 2 | CH9S-8003 | 1 | PLUG |
| 3 | 156-8343 | 6 | PLATE-BACKUP |
| 4 | 161-1817 | 1 | ARM ASM (ORDER COMPLETE OR 4A THRU 4C) |
| 4A | CH3D-9133 | 2 | CUP-BEARING |
| 4B | 400098X1 | 1 | RING-RETAINING |
| 4C | CH190-3391 | 1 | HOUSING ASM |
| 4D | | 1 | ARM-REACTION (NOT SERVICED SEPARATELY) |
| 5 | CH174-4874 | 2 | SEAL GP-DUO-CONE (ORDER COMPLETE OR |
| 6 | 184-4356 | 1 | COLLET |
| 7 | 500396D2 | 1 | HUB-OUTER |
| 8 | 500395D2 | 1 | HUB-INNER |
| 9 | 205-9961 | 1 | BRACKET ASM |
| | CH8T-3490 | 2 | NUT-WELD (M10X1.5) |
| 10 | 205-9962 | 1 | BRACKET |
| 11 | 400272X1 | 27 | BOLT (M20X2.5X80MM) |
| 12 | CH1J-9671 | 1 | SEAL-O-RING |
| 13 | 400191X1 | 2 | BOLT (M16X2X40MM) |
| 14 | 400035X1 | 36 | BOLT (M24X3X60MM) |
| 15 | CH7X-7729 | 6 | WASHER (11X25X3) |
| 16 | 400080X1 | 27 | WASHER-PLATED (22X35X3.5) |
| 17 | 400081X1 | 44 | WASHER-HARD (26X44X4) |
| 18 | 400058X1 | 4 | BOLT (M10X1.5X30MM) |
| 19 | 400067X1 | 8 | BOLT (M24X3X80MM) |
| 20 | 400082X1 | 2 | WASHER (17.5X30X3.5) |
| 21 | CH1U-8846 | | SEALANT-GASKET |
| 22 | CH193-5915 | 4 | PLUG |
| 23 | 400058X1 | 2 | BOLT-BSHCS (M10X1.5X40MM) (NOT SHOWN) (USED WITH ITEMS 9 & 10) |

[A] PART OF 156-4883 FRAME AR

0829713B
PR: t05b22n43d0280

MT800B SERIES TRACTORS
UNDERCARRIAGE

SUPPORT GP-UNDERCARRIAGE - 163-1009
WIDE GAUGE



**MT800B SERIES TRACTORS
UNDERCARRIAGE**

669

**SUPPORT GP-UNDERCARRIAGE - 163-1009
WIDE GAUGE**

| ITEM | NUMBER | QTY | DESCRIPTION |
|------|----------|-----|--|
| - | 163-1009 | - | SUPPORT GP-UNDERCARRIAGE [A] (NOT SERVICED) |
| 1 | 162-0288 | 1 | SUPPORT ASM (INCLUDES PLATE ASM, BRACKET ASM-RH, PLATE SUPPORT AND LINK) |
| | 7T-1099 | 2 | LINK |
| 2 | 163-0267 | 2 | PAD ASM |
| 3 | 163-0268 | 2 | SPRING (RUBBER) |
| 4 | 223-3273 | 2 | PLATE |
| 5 | 177-1872 | 4 | PLATE |
| 6 | 180-5932 | 12 | BOLT-HEX HEAD (M20X2.5X80MM) |
| 7 | 183-8600 | 1 | ROD |
| 8 | 7X-2565 | 4 | BOLT (M20X2.5X100MM) |
| 9 | 400080X1 | 16 | WASHER-PLATED (22X35X3.5) |
| 10 | 8T-4179 | 8 | BOLT (M12X1.75X20MM) |
| 11 | 400357X1 | 12 | WASHER-HARD (M12X25.5X3) |
| 12 | 8T-4956 | 4 | BOLT (M12X1.75X35MM) |
| 13 | 213-1827 | 4 | SPACER (22X35X40) |
| 14 | 223-2480 | 2 | SUPPORT |

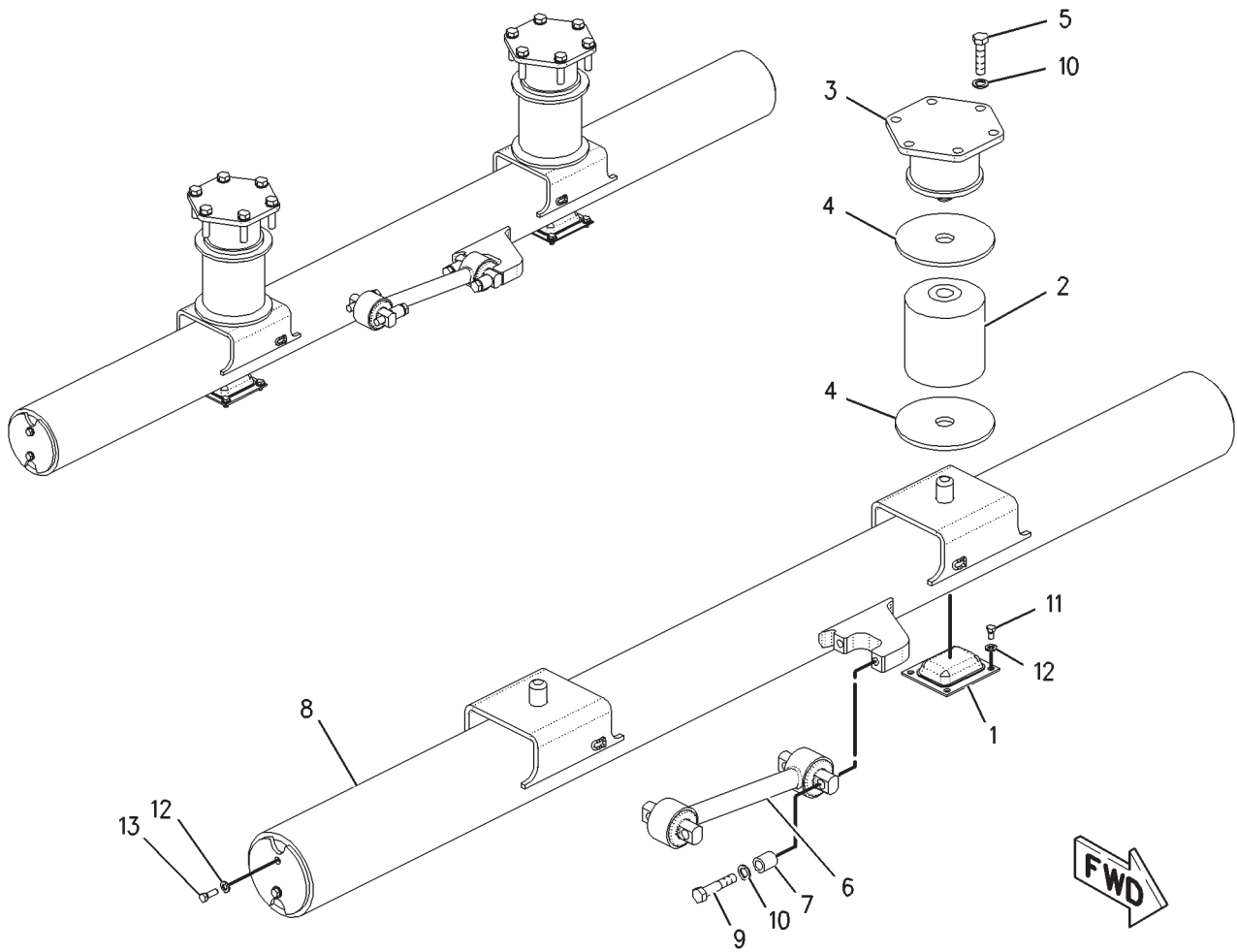
[A] PART OF
156-4881; 502325D1 UNDERCARRIAGE AR

0850229A
PR: t05b22n43d0281

670

MT800B SERIES TRACTORS
UNDERCARRIAGE

SUPPORT GP-UNDERCARRIAGE - 177-9945
2286-2600MM (90-102 IN)
EAME ONLY



MT800B SERIES TRACTORS
UNDERCARRIAGE

671

SUPPORT GP-UNDERCARRIAGE - 177-9945
2286-2600MM (90-102 IN)
EAME ONLY

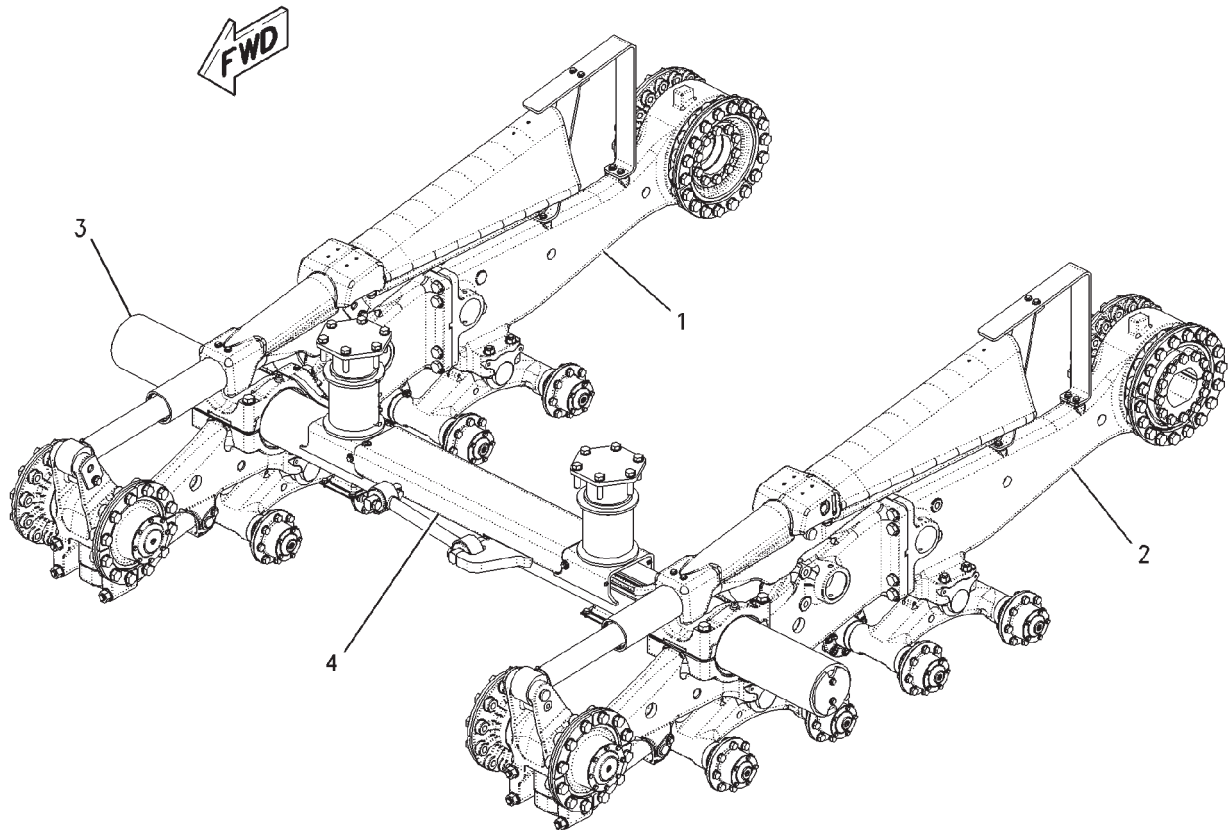
| ITEM | NUMBER | QTY | DESCRIPTION |
|------|------------|-----|--|
| - | 177-9945 | - | SUPPORT GP-UNDERCARRIAGE [A] (NOT SERVICED) |
| 1 | 163-0267 | 2 | PAD AS (SUPPORT) |
| 2 | 163-0268 | 2 | SPRING (RUBBER) |
| 3 | 223-3273 | 2 | PLATE |
| | 223-2480 | 2 | SUPPORT |
| 4 | CH177-1872 | 4 | PLATE |
| 5 | 180-5932 | 12 | BOLT-HEX HEAD (M20X2.5X80MM) |
| 6 | 183-8600 | 1 | ROD |
| 7 | CH213-1827 | 4 | SPACER (22X35X40MM THK) |
| 8 | 172-4155 | 1 | SUPPORT AS |
| | CH7T-1099 | 2 | LINK |
| 9 | 400032X1 | 4 | BOLT (M20X2.5X100MM) |
| 10 | 400080X1 | 16 | WASHER-PLATED (22X35X3.5MM THK) |
| 11 | 400047X1 | 8 | BOLT (M12X1.75X20MM) |
| 12 | 400357X1 | 12 | WASHER-HARD (M12X25.5X3MM THK) |
| 13 | 400064X1 | 4 | BOLT (M12X1.75X35MM) |

[A] PART OF 177-9946 UNDERCARRIAGE AR

00853117
PR: t05b22n43d0282

MT800B SERIES TRACTORS
UNDERCARRIAGE

UNDERCARRIAGE AR - 156-4881
ROW



**MT800B SERIES TRACTORS
UNDERCARRIAGE**

673

**UNDERCARRIAGE AR - 156-4881
ROW**

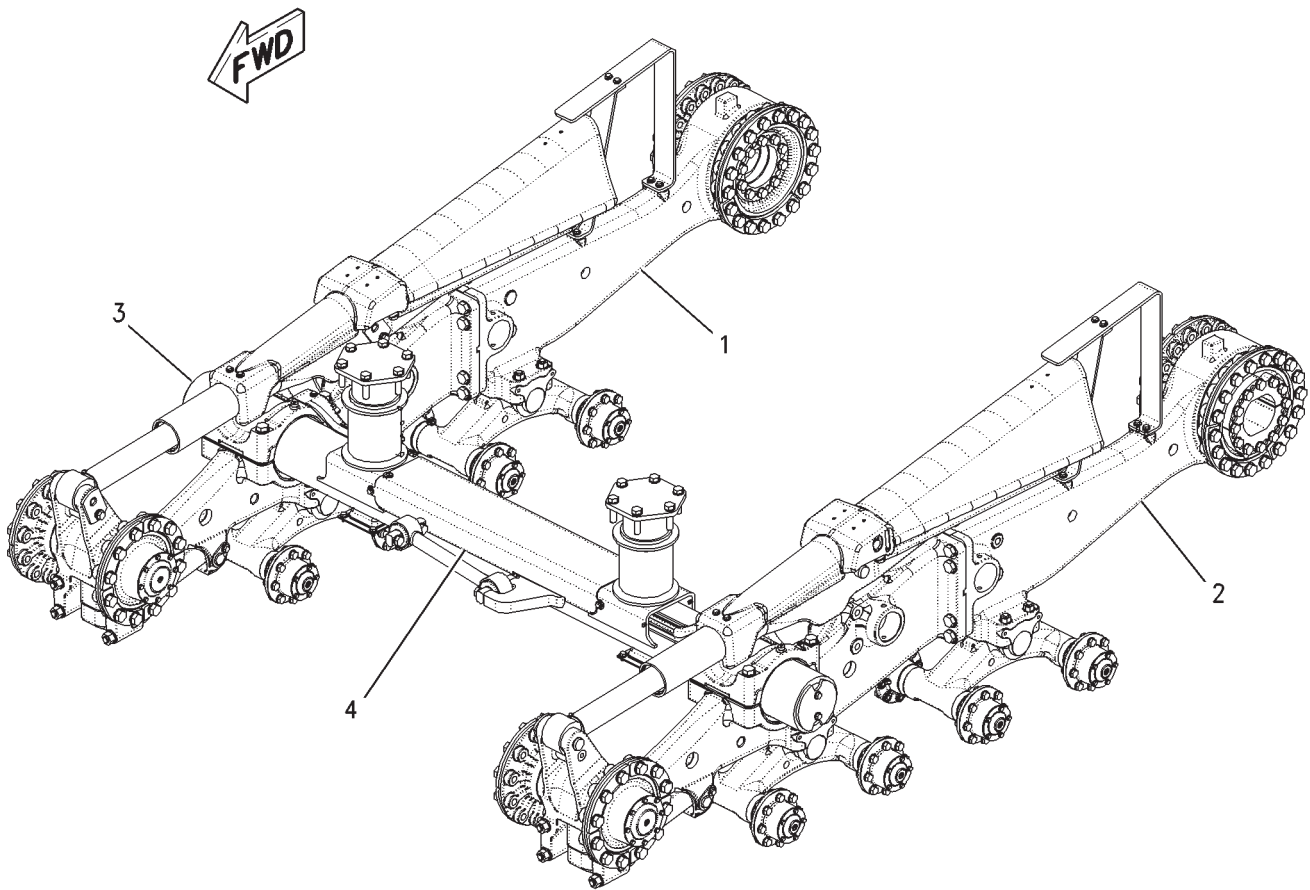
| ITEM | NUMBER | QTY | DESCRIPTION |
|------|----------|-----|---|
| - | 156-4881 | - | UNDERCARRIAGE AR [A] (NOT SERVICED) |
| 1 | 156-4882 | 1 | FRAME AR (RH) (NOT SERVICED) (SEE BREAKDOWN FOR COMPONENTS) |
| 2 | 156-4883 | 1 | FRAME AR (LH) (NOT SERVICED) (SEE BREAKDOWN FOR COMPONENTS) |
| 3 | 163-1009 | 1 | SUPPORT GP-UNDERCARRIAGE (NOT SERVICED) (SEE BREAKDOWN FOR COMPONENTS) |
| 4 | 201-9927 | 1 | GUARD GP-LINES (NOT SERVICED) (SEE BREAKDOWN FOR COMPONENTS) |

[A] PART OF 177-9948; 183-2198 GAUGE
AR-TRACK

00850503
PR: t05b22n43d0283

MT800B SERIES TRACTORS
UNDERCARRIAGE

UNDERCARRIAGE AR - 177-9946
EAME ONLY



MT800B SERIES TRACTORS
UNDERCARRIAGE

675

UNDERCARRIAGE AR - 177-9946
EAME ONLY

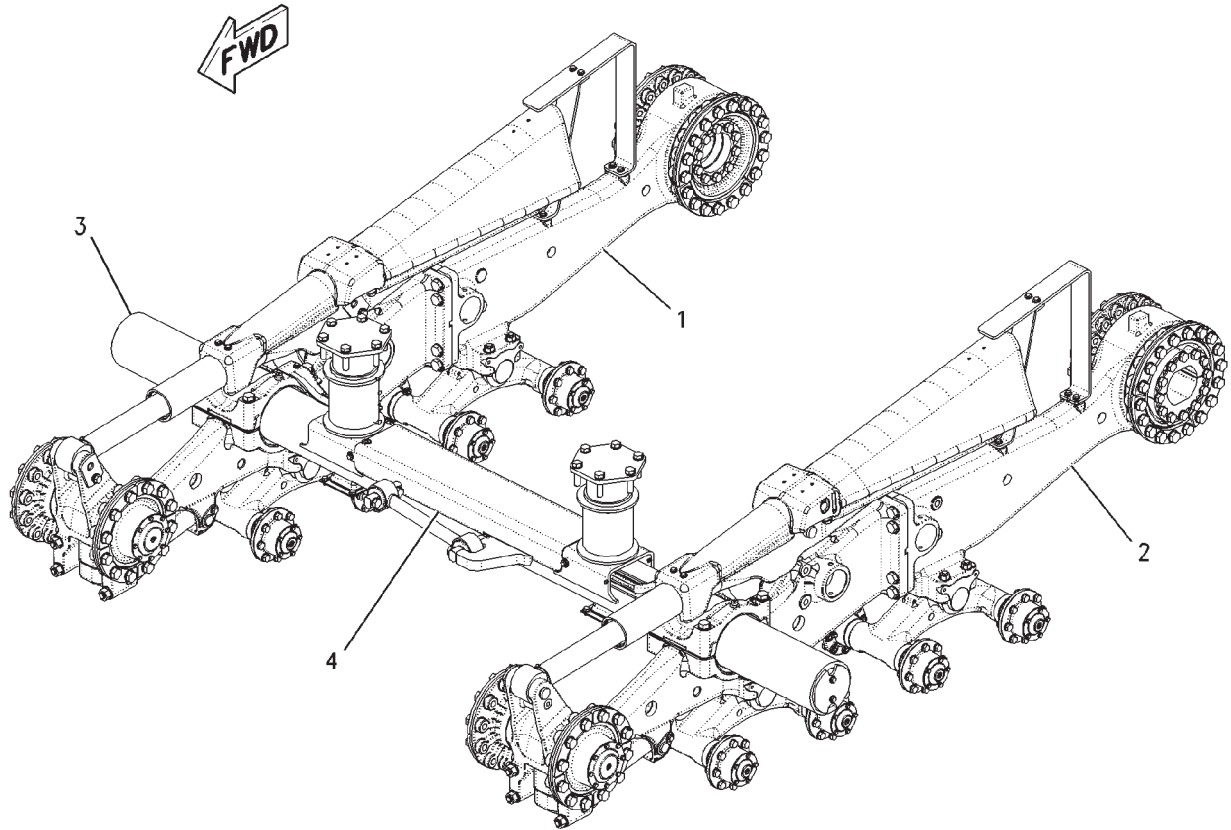
| ITEM | NUMBER | QTY | DESCRIPTION |
|------|----------|-----|--|
| - | 177-9946 | - | UNDERCARRIAGE AR (NOT SERVICED) |
| 1 | 156-4882 | 1 | FRAME AR (RH) (NOT SERVICED) (SEE BREAKDOWN FOR COMPONENTS) |
| 2 | 156-4883 | 1 | FRAME AR (LH) (NOT SERVICED) (SEE BREAKDOWN FOR COMPONENTS) |
| 3 | 177-9945 | 1 | SUPPORT GP-UNDERCARRIAGE (NOT SERVICED) (SEE BREAKDOWN FOR COMPONENTS) |
| 4 | 201-9928 | 1 | GUARD GP-LINES (NOT SERVICED) (SEE BREAKDOWN FOR COMPONENTS) |

[A] PART OF:
177-9947; 183-2197 GAUGE AR-TRACK

00851114
PR: t05b22n43d0284

MT800B SERIES TRACTORS
UNDERCARRIAGE

UNDERCARRIAGE AR - 502325D1
SPECIAL



**MT800B SERIES TRACTORS
UNDERCARRIAGE**

677

**UNDERCARRIAGE AR - 502325D1
SPECIAL**

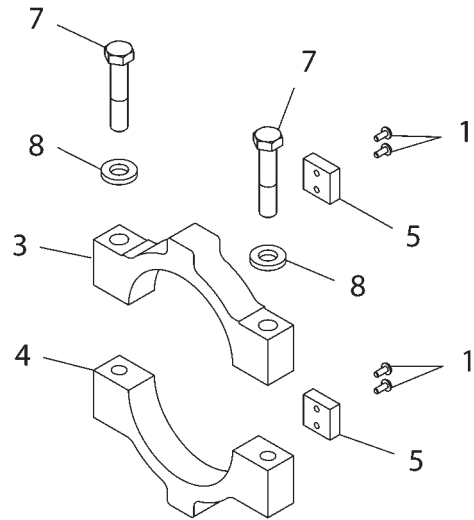
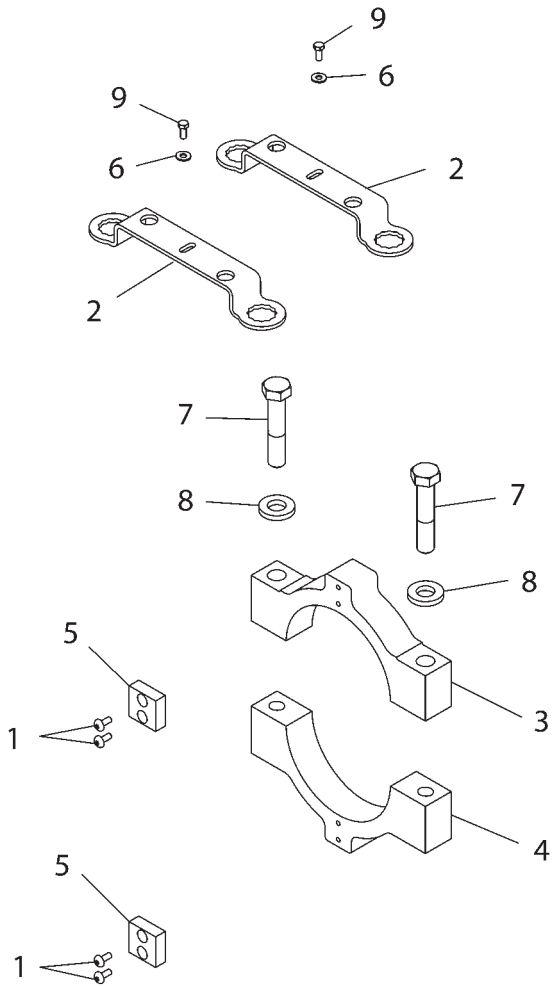
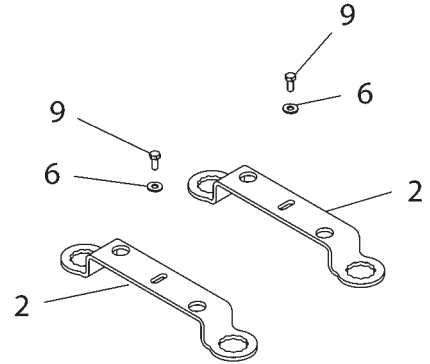
| ITEM | NUMBER | QTY | DESCRIPTION |
|------|----------|-----|---|
| - | 502325D1 | - | UNDERCARRIAGE AR [A] (NOT SERVICED) |
| 1 | 502193D1 | 1 | FRAME AR (RH) (NOT SERVICED) (SEE BREAKDOWN FOR COMPONENTS) |
| 2 | 502037D1 | 1 | FRAME AR (LH) (NOT SERVICED) (SEE BREAKDOWN FOR COMPONENTS) |
| 3 | 163-1009 | 1 | SUPPORT GP-UNDERCARRIAGE (NOT SERVICED) (SEE BREAKDOWN FOR COMPONENTS) |
| 4 | 201-9927 | 1 | GUARD GP-LINES (NOT SERVICED) (SEE BREAKDOWN FOR COMPONENTS) |

[A] PART OF 502323D1; 502324D1 GAUGE
AR-TRACK

00850503
PR: t05b22n43d0285

MT800B SERIES TRACTORS
UNDERCARRIAGE

RESTRAIN GP-ROLLERFRAME - 500040D1



500040DC

MT800B SERIES TRACTORS
UNDERCARRIAGE

679

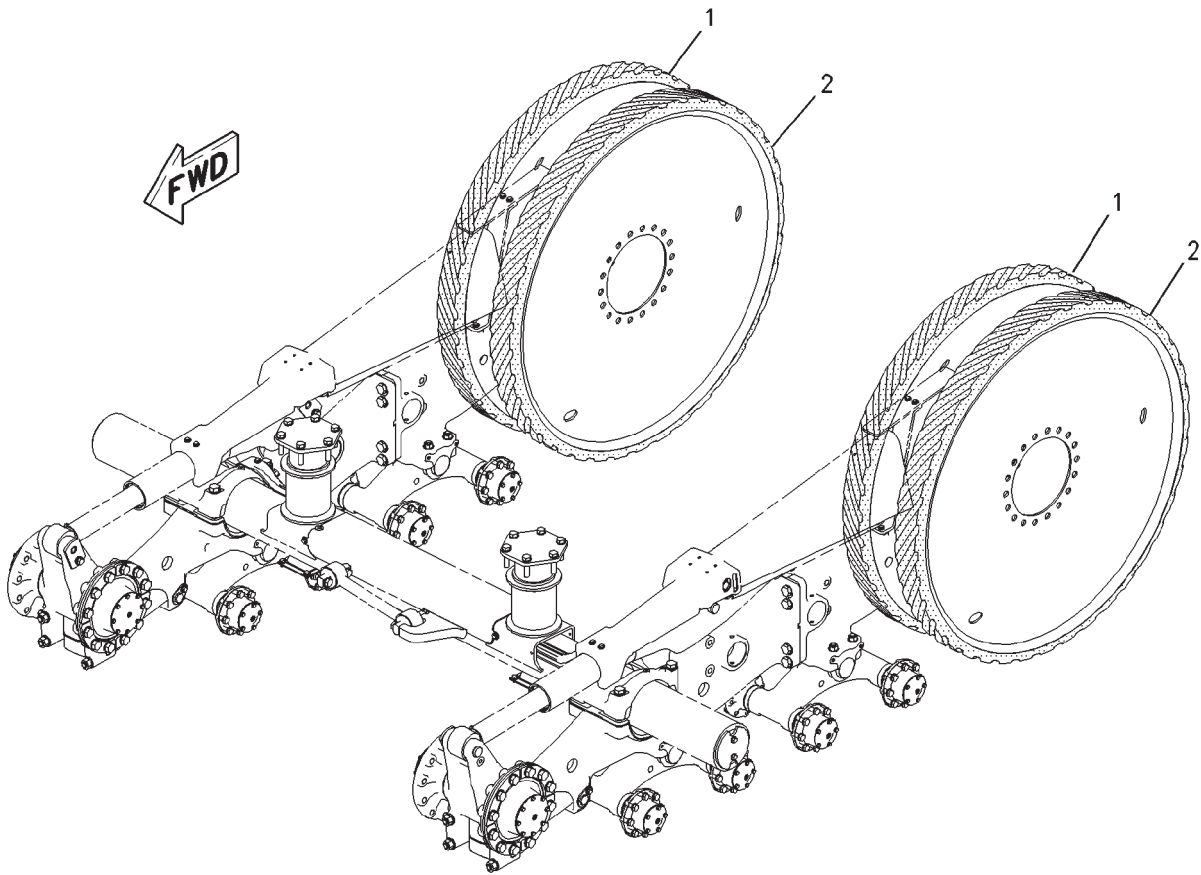
RESTRAIN GP-ROLLERFRAME - 500040D1

| ITEM | NUMBER | QTY | DESCRIPTION |
|------|------------|-----|-----------------------------|
| - | 500040D1 | - | RESTRAIN GP-ROLLERFRAME |
| 1 | CH127-2170 | 8 | SCREW-M8X1.25X20MM TRUSS HD |
| 2 | 500081D1 | 4 | BRACKET-LOCK |
| 3 | 500468D1 | 2 | CLAMP-TOP |
| 4 | 500469D1 | 2 | CLAMP-BOTTOM |
| 5 | 500470D1 | 4 | PAD-WEAR |
| 6 | 400599X1 | 4 | WASHER-HARD,M8X20.5ODX2THK |
| 7 | 400213X1 | 4 | BOLT-M24X3X120MM |
| 8 | CH8T-1482 | 4 | WASHER-HARD (26IDX50ODX8MM) |
| 9 | 400053X1 | 4 | BOLT-M8X1.25X20 |

500040DC
PR: t05b22n43d0286

**MT800B SERIES TRACTORS
UNDERCARRIAGE**

WHEEL AR-DRIVER - 220-2357
112 MM (4.4 IN)
ROW & EAME



MT800B SERIES TRACTORS
UNDERCARRIAGE

681

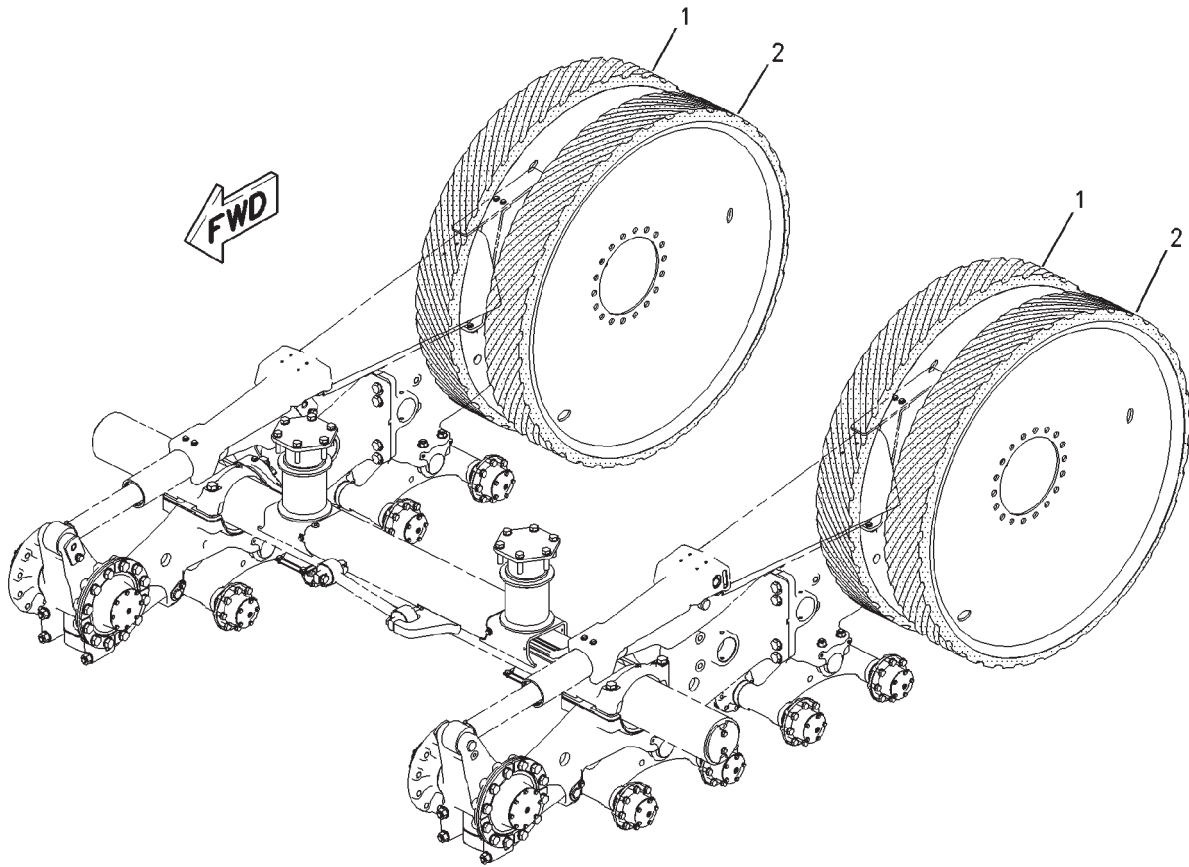
WHEEL AR-DRIVER - 220-2357
112 MM (4.4 IN)
ROW & EAME

| ITEM | NUMBER | QTY | DESCRIPTION |
|------|----------|-----|--|
| - | 220-2357 | - | WHEEL AR-DRIVER (NOT SERVICED) |
| 1 | 1R-1234 | 2 | WHEEL ASM |
| 2 | 1R-1249 | 2 | WHEEL ASM |
| - | 502158D1 | - | WHEEL AR-DRIVER (FIELD) (NOT SERVICED) (INCLS 1 OF ITEMS 1 & 2) |

00889595
PR: t05b22n43d0287

MT800B SERIES TRACTORS
UNDERCARRIAGE

WHEEL AR-DRIVER - 220-2358
196 MM (7.7 IN)
ROW AND EAME



**MT800B SERIES TRACTORS
UNDERCARRIAGE**

683

**WHEEL AR-DRIVER - 220-2358
196 MM (7.7 IN)
ROW AND EAME**

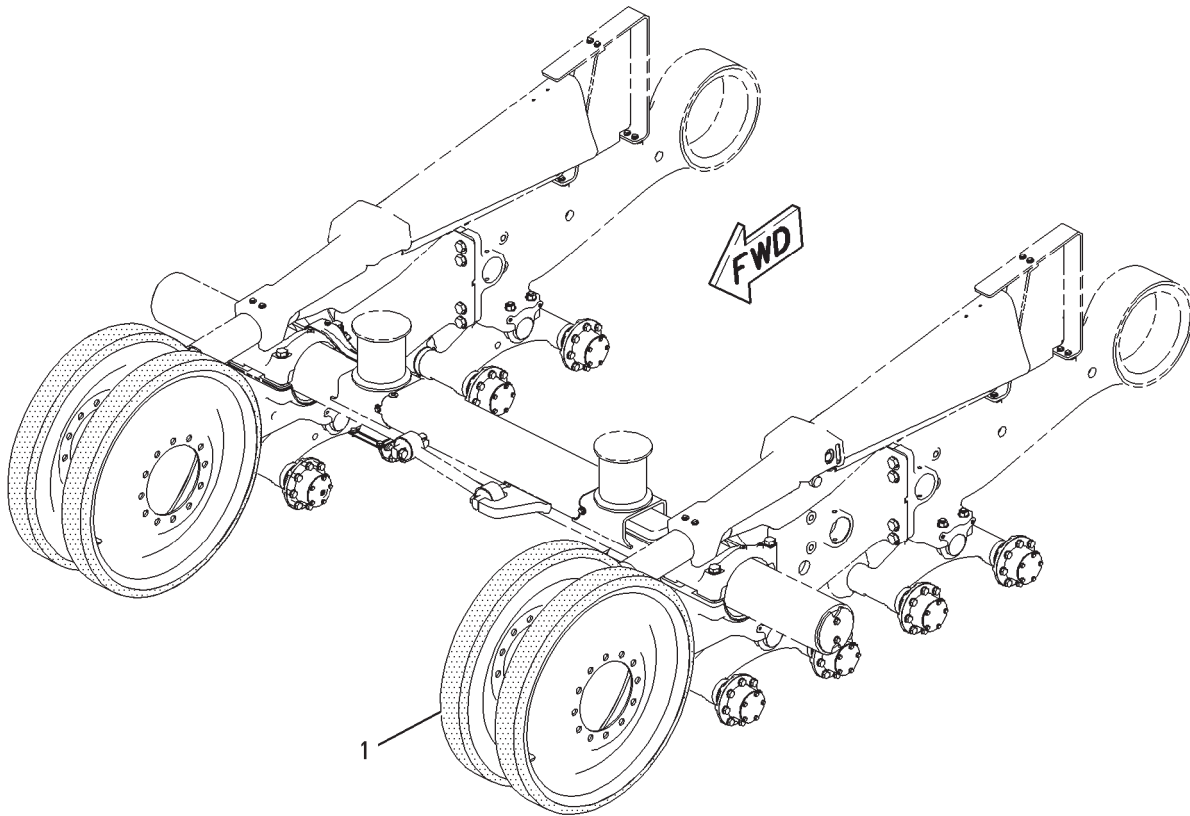
| ITEM | NUMBER | QTY | DESCRIPTION |
|------|----------|-----|---|
| - | 502788D1 | - | KIT-WHEEL AR-DRIVER [R] (ROW ONLY) |
| - | 502913D1 | - | WHEEL AR-DRIVER (NOT SERVICED) |
| - | 220-2358 | - | WHEEL AR-DRIVER [A] (NOT SERVICED) |
| 1 | 504789D1 | 2 | WHEEL ASM |
| 2 | 504790D1 | 2 | WHEEL ASM |
| - | 502161D1 | - | KIT-WHEEL AR-DRIVER (FIELD INSTALLED) (INCLS 1 OF ITEMS 1 & 2) (NOT SERVICED) |

[A] PART OF 500033D1;500034D1;500035D1;
500037D1 BASE UNIT AR;
502788D1 WHEEL AR-DRIVER;
502913D1 WHEEL AR-DRIVER
[R] SPECIAL APPLICATIONS PACKAGE

00889641
PR: t05b22n43d0288

**MT800B SERIES TRACTORS
UNDERCARRIAGE**

WHEEL AR-IDLER - 220-2355
105 MM (4.1 IN)
ROW & EAME



**MT800B SERIES TRACTORS
UNDERCARRIAGE**

685

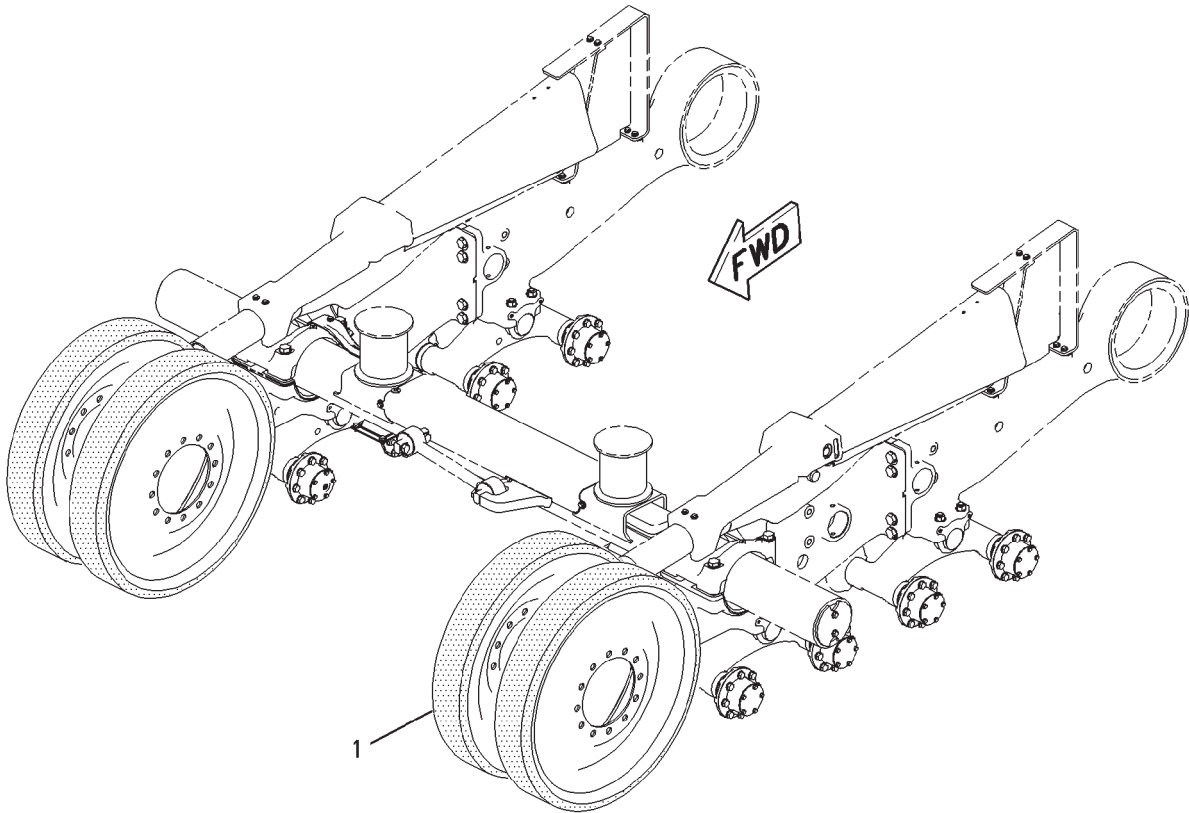
**WHEEL AR-IDLER - 220-2355
105 MM (4.1 IN)
ROW & EAME**

| ITEM | NUMBER | QTY | DESCRIPTION |
|------|----------|-----|--|
| - | 220-2355 | - | WHEEL AR-IDLER (NOT SERVICED) |
| 1 | 500062D1 | 4 | WHEEL ASM-IDLER |
| - | 502160D1 | - | WHEEL AR-IDLER (KIT) (INCLS 2 OF ITEM 1) (NOT SERVICED) |

00889409
PR: t05b22n43d0289

**MT800B SERIES TRACTORS
UNDERCARRIAGE**

**WHEEL AR-IDLER - 220-2356
192 MM (7.6 IN)**



**MT800B SERIES TRACTORS
UNDERCARRIAGE**

687

**WHEEL AR-IDLER - 220-2356
192 MM (7.6 IN)**

| ITEM | NUMBER | QTY | DESCRIPTION |
|------|----------|-----|--|
| - | 502787D1 | - | WHEEL AR-IDLER [R] (ROW ONLY) |
| - | 502915D1 | - | WHEEL AR-IDLER (FACT) (NOT SERVICED, ORDER ITEM 1) |
| - | 220-2356 | - | WHEEL AR-IDLER [A] (NOT SERVICED, ORDER ITEM 1) |
| 1 | 1R-1238 | 4 | WHEEL ASM-IDLER |
| - | 502163D1 | - | WHEEL AR-IDLER (KIT) (INCLS 2 OF ITEM 1) (NOT SERVICED) |

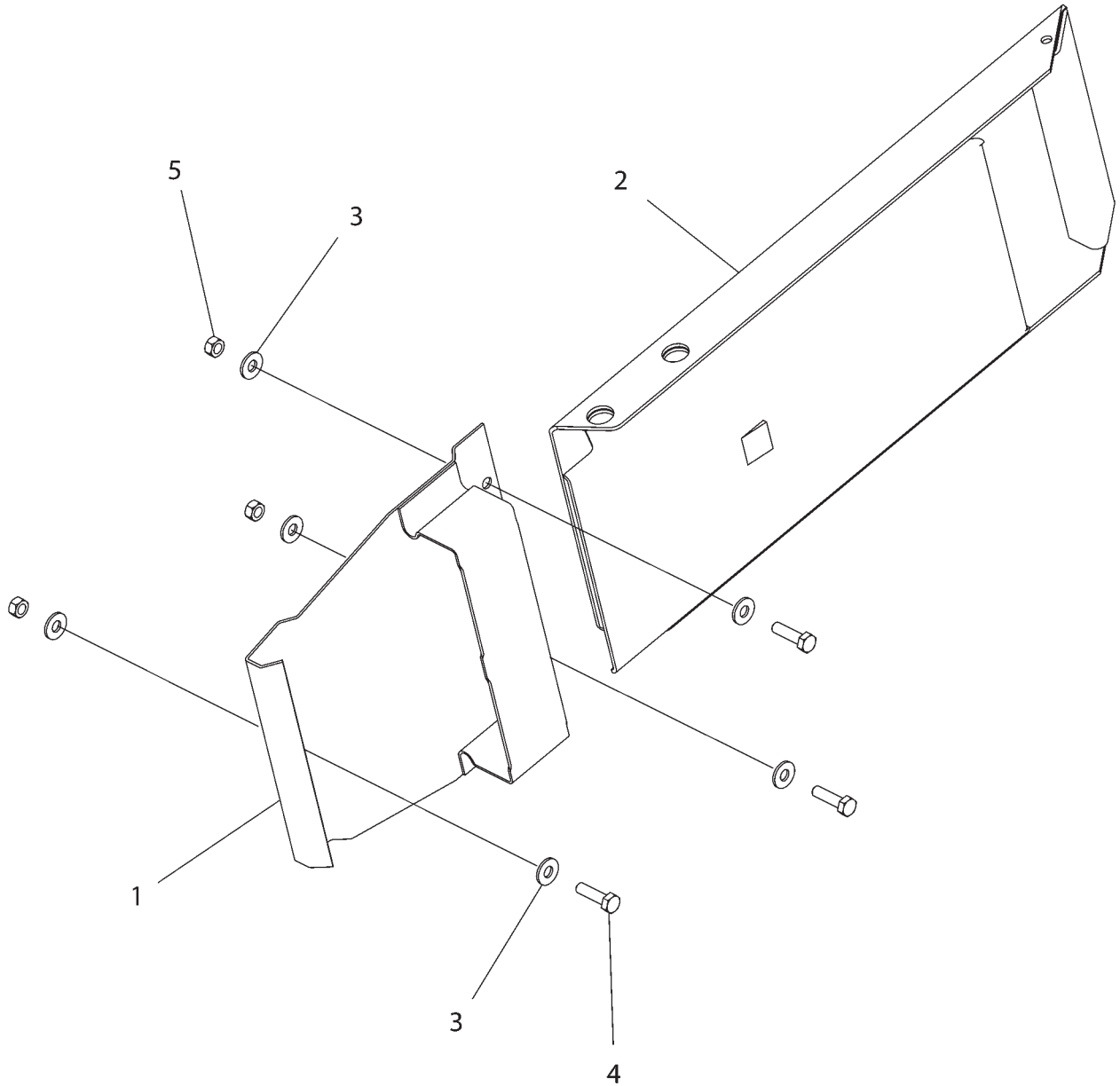
[A] PART OF 502787D1 WHEEL AR-IDLER
[R] SPECIAL APPLICATIONS PKG

00889550
PR: t05b22n43d0290

688

MT800B SERIES TRACTORS
UNDERCARRIAGE

WEDGE GP-WHEEL - 189-8931
EAME ONLY



1898931C

MT800B SERIES TRACTORS
UNDERCARRIAGE

689

WEDGE GP-WHEEL - 189-8931
EAME ONLY

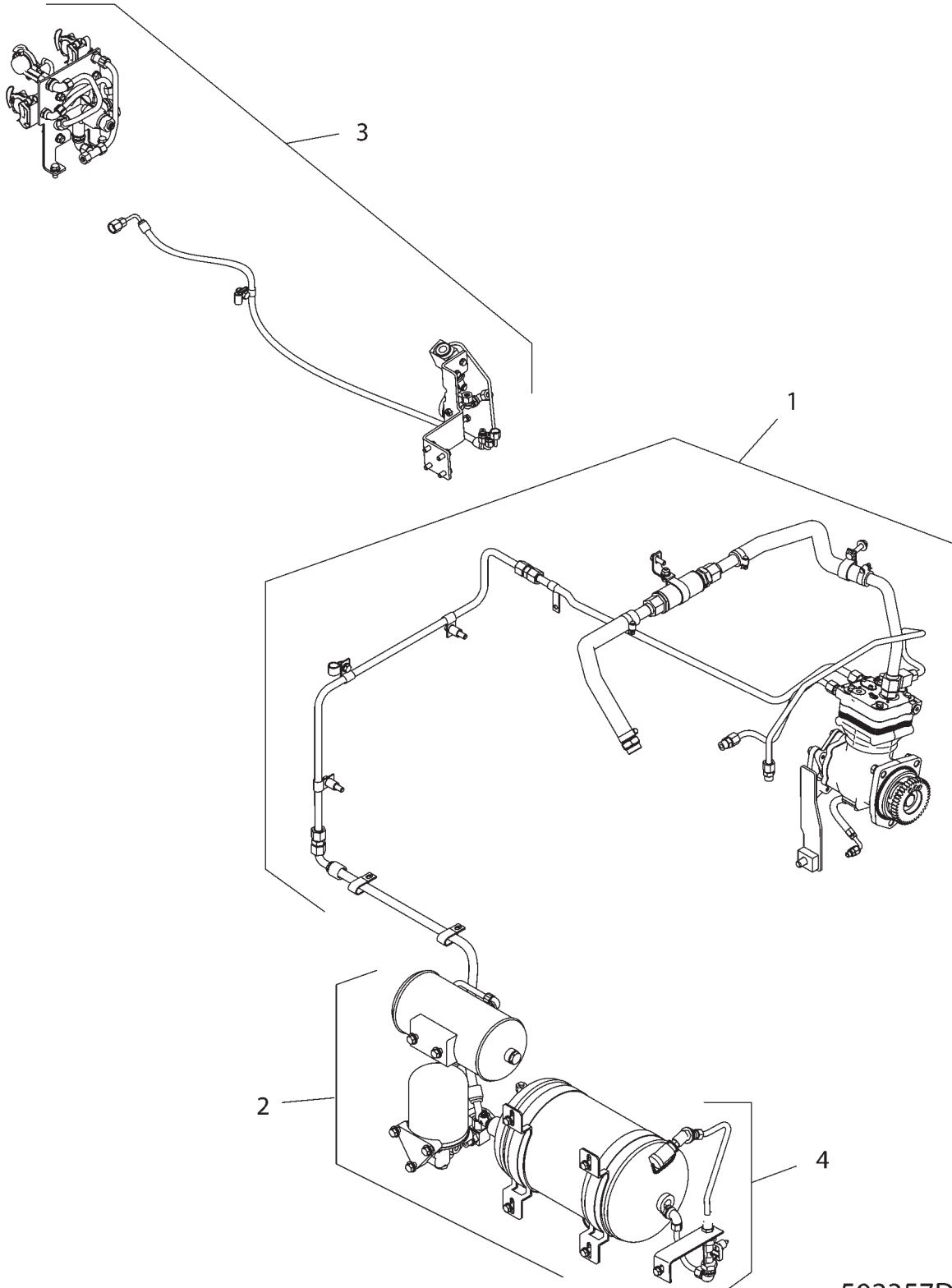
| ITEM | NUMBER | QTY | DESCRIPTION |
|------|------------|-----|-------------------------------|
| 1 | CH151-6030 | 1 | BRACKET AS. |
| 2 | 151-4059 | 1 | WHEEL BLOCK |
| 3 | 400599X1 | 6 | WASHER-HARD,M8X20.5ODX2THK |
| 4 | 400245X1 | 3 | BOLT-M8X1.25X30 ZNDI HHD 10.9 |
| 5 | 400340X1 | 3 | NUT-M8X1.25X13 HEX ZND1 |

1898931C
PR: t05b22n43d0291

690

**MT800B SERIES TRACTORS
UNDERCARRIAGE**

**BRAKE AR-W/O HITCH - 502357D1
EAME ONLY**



502357DB

**MT800B SERIES TRACTORS
UNDERCARRIAGE**

691

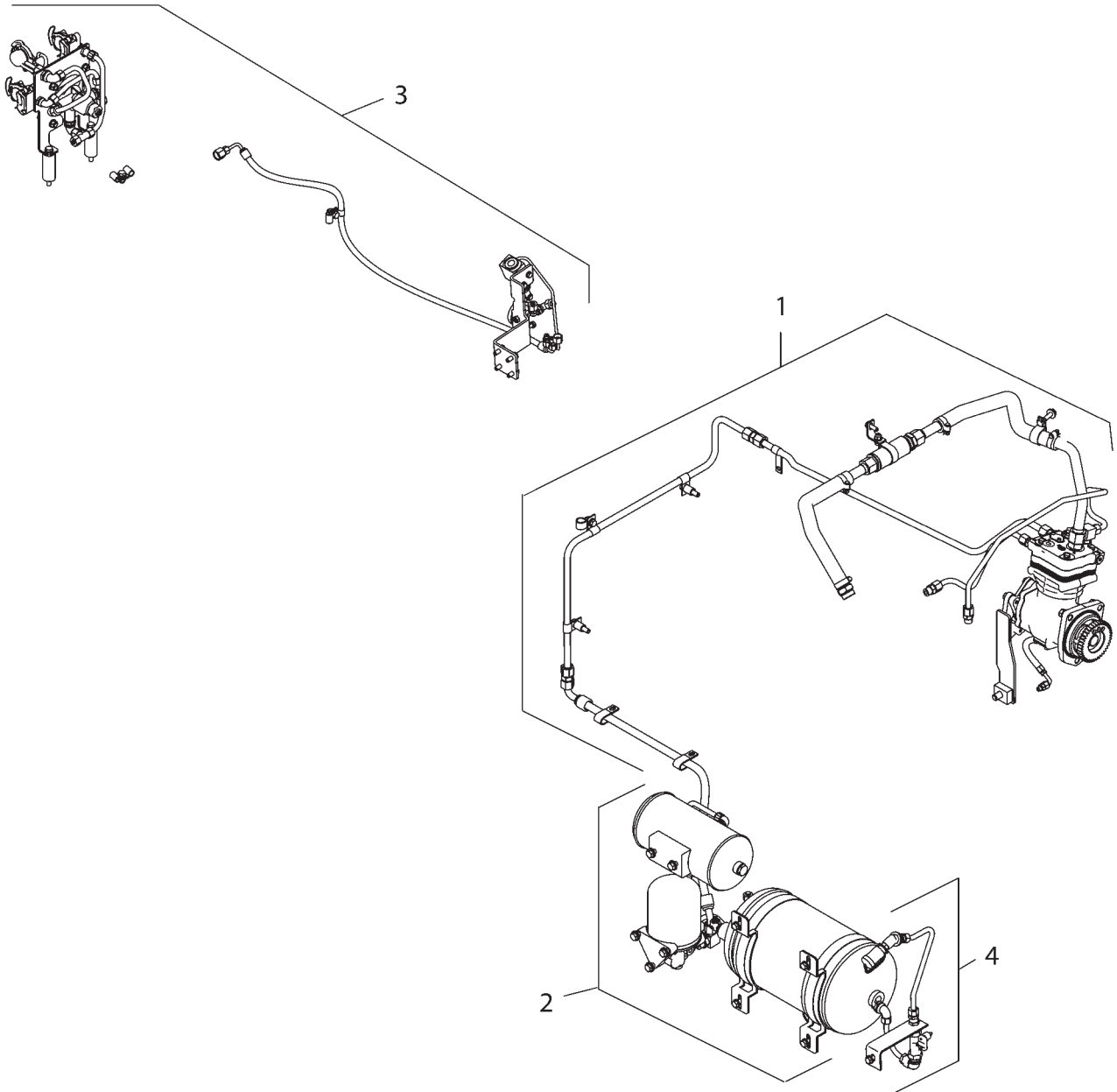
**BRAKE AR-W/O HITCH - 502357D1
EAME ONLY**

| ITEM | NUMBER | QTY | DESCRIPTION |
|------|----------|-----|--|
| - | 502357D1 | - | BRAKE AR-W/O HITCH (NOT SERVICED) |
| 1 | 501600D1 | 1 | AIR COMPRESSOR GP (NOT SERVICED) (SEE BREAKDOWN FOR COMPONENTS) |
| 2 | 190-0435 | 1 | TANK & LINES GP-AIR (NOT SERVICED) (SEE BREAKDOWN FOR COMPONENTS) |
| 3 | 190-0436 | 1 | LINES GP-CONTROL (NOT SERVICED) (SEE BREAKDOWN FOR COMPONENTS) |
| 4 | 190-0438 | 1 | LINES GP-COUPLER (NOT SERVICED) (SEE BREAKDOWN FOR COMPONENTS) |

502357DB
PR: t05b22n43d0293

MT800B SERIES TRACTORS
UNDERCARRIAGE

BRAKE AR-W/HITCH - 502358D1
EAME ONLY



**MT800B SERIES TRACTORS
UNDERCARRIAGE**

693

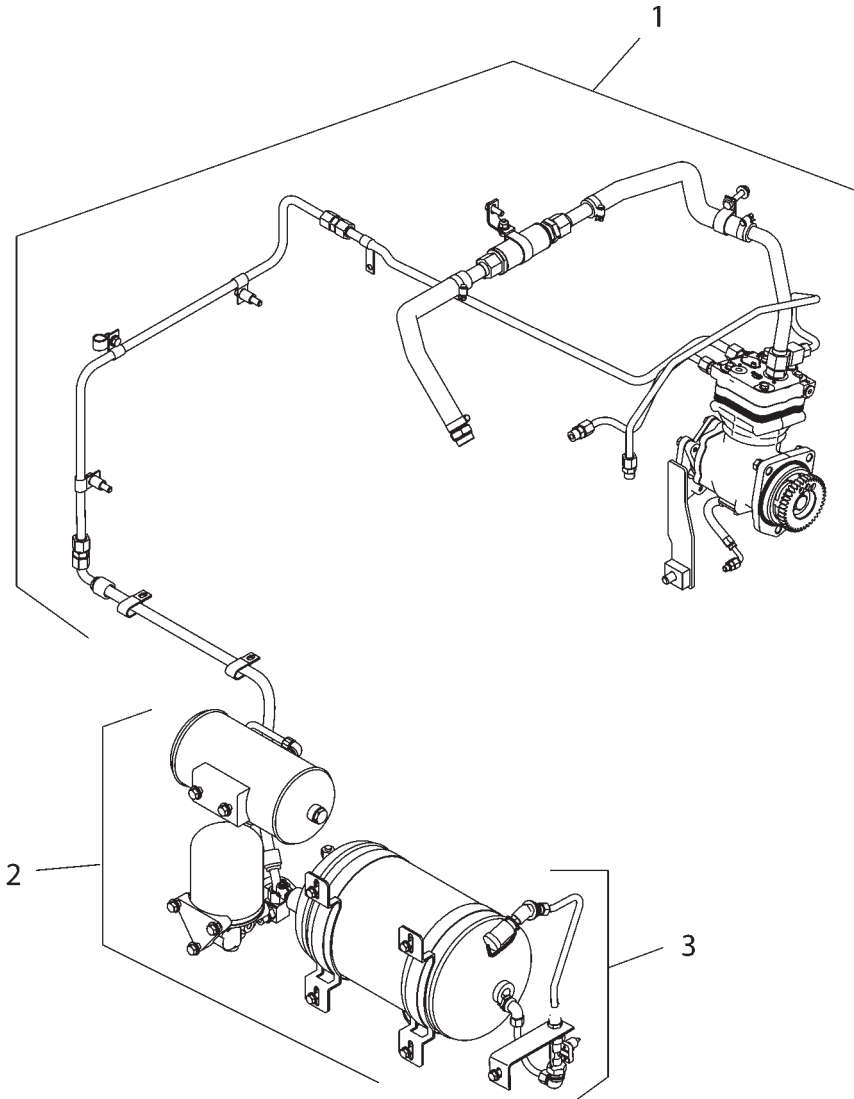
**BRAKE AR-W/HITCH - 502358D1
EAME ONLY**

| ITEM | NUMBER | QTY | DESCRIPTION |
|------|----------|-----|--|
| - | 502358D1 | - | BRAKE AR-W/O HITCH (NOT SERVICED) |
| 1 | 501600D1 | 1 | AIR COMPRESSOR GP (NOT SERVICED) (SEE BREAKDOWN FOR COMPONENTS) |
| 2 | 190-0435 | 1 | TANK & LINES GP-AIR (NOT SERVICED) (SEE BREAKDOWN FOR COMPONENTS) |
| 3 | 200-4310 | 1 | LINES GP-CONTROL (NOT SERVICED) (SEE BREAKDOWN FOR COMPONENTS) |
| 4 | 190-0438 | 1 | LINES GP-COUPLER (NOT SERVICED) (SEE BREAKDOWN FOR COMPONENTS) |

502358DB
PR: t05b22n43d0294

MT800B SERIES TRACTORS
UNDERCARRIAGE

TANK AR-AIR - 502359D1
EAME ONLY



502359DB

**MT800B SERIES TRACTORS
UNDERCARRIAGE**

695

**TANK AR-AIR - 502359D1
EAME ONLY**

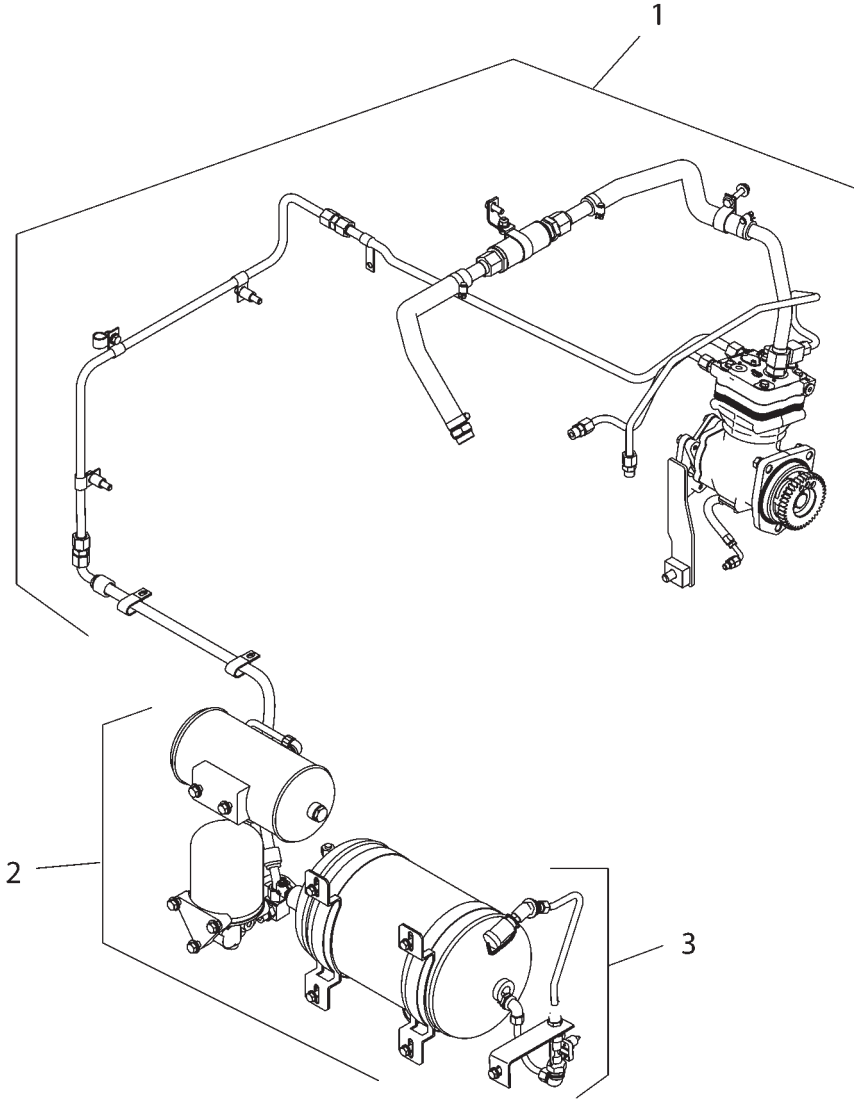
| ITEM | NUMBER | QTY | DESCRIPTION |
|------|----------|-----|--|
| - | 503638D1 | - | TANK AR-AIR (FIELD INSTALLED) |
| - | 502359D1 | - | TANK AR-AIR [A] (FACTORY) (NOT SERVICED, ORDER FIELD INSTALLED) |
| 1 | 501600D1 | 1 | AIR COMPRESSOR GP (NOT SERVICED) (SEE BREAKDOWN FOR COMPONENTS) |
| 2 | 190-0435 | 1 | TANK & LINES GP-AIR (NOT SERVICED) (SEE BREAKDOWN FOR COMPONENTS) |
| 3 | 190-0438 | 1 | LINES GP-COUPLER (NOT SERVICED) (SEE BREAKDOWN FOR COMPONENTS) |

[A] PART OF 503638D1 TANK AR-AIR

502359DB
PR: t05b22n43d0295

MT800B SERIES TRACTORS
UNDERCARRIAGE

TANK AR-AIR - 502360D1
ROW AND SPECIAL



502359DB

**MT800B SERIES TRACTORS
UNDERCARRIAGE**

697

**TANK AR-AIR - 502360D1
ROW AND SPECIAL**

| ITEM | NUMBER | QTY | DESCRIPTION |
|------|----------|-----|--|
| - | 502767D1 | - | TANK AR-AIR (FIELD INSTALLED) |
| - | 502360D1 | - | TANK AR-AIR [A] (FACTORY) (NOT SERVICED, ORDER FIELD INSTALLED) |
| 1 | 501600D1 | 1 | AIR COMPRESSOR GP (NOT SERVICED, SEE BREAKDOWN) |
| 2 | 190-0435 | 1 | TANK & LINES GP-AIR (NOT SERVICED, SEE BREAKDOWN) |
| 3 | 210-0851 | 1 | LINES GP-COUPLER (NOT SERVICED, SEE BREAKDOWN) |

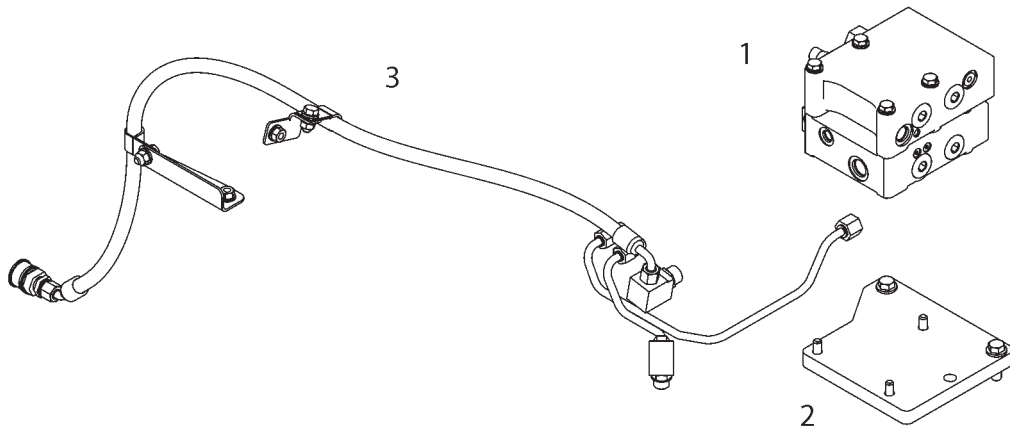
[A] PART OF 502767D1 TANK AR-AIR

502359DB
PR: t05b22n43d0296

698

**MT800B SERIES TRACTORS
BRAKING SYSTEM**

**KIT-HYD TRAILER BRAKE - 209-3688
WITHOUT 3 POINT HITCH
EAME ONLY**



2093688C

**MT800B SERIES TRACTORS
BRAKING SYSTEM**

699

**KIT-HYD TRAILER BRAKE - 209-3688
WITHOUT 3 POINT HITCH
EAME ONLY**

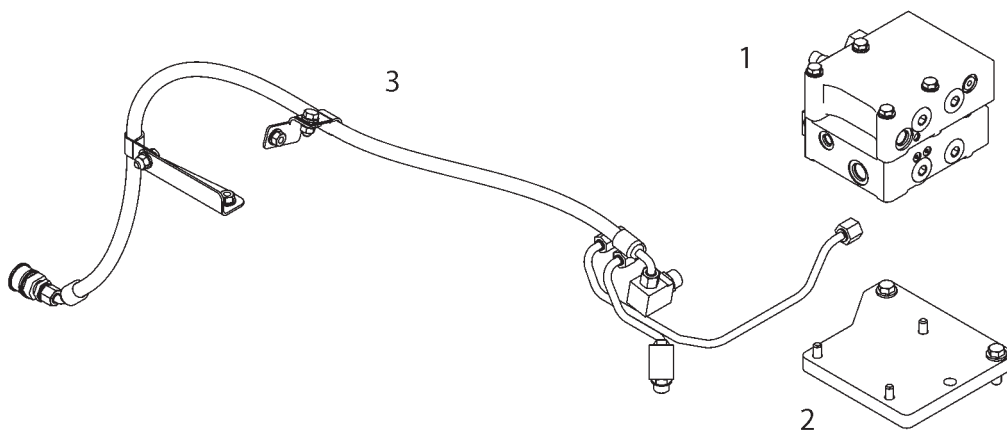
| ITEM | NUMBER | QTY | DESCRIPTION |
|------|----------|-----|---|
| - | 209-3688 | - | KIT-HYDTRAILER BRAKE |
| | 193-8199 | 1 | VALVE AR (NOT SERVICED) (SEE BREAKDOWN FOR COMPONENTS) |

2093688C
PR: t05b22n43d0297

700

**MT800B SERIES TRACTORS
BRAKING SYSTEM**

KIT-HYD BRAKE - 501140D1
WITHOUT 3 POINT HITCH
SPECIAL APPLICATIONS



2093688C

**MT800B SERIES TRACTORS
BRAKING SYSTEM**

701

**KIT-HYD BRAKE - 501140D1
WITHOUT 3 POINT HITCH
SPECIAL APPLICATIONS**

| ITEM | NUMBER | QTY | DESCRIPTION |
|------|----------|-----|---|
| - | 501140D1 | - | KIT-HYD BRAKE (FIELD INSTALLED) |
| 1 | 192-4816 | 1 | VALVE GP-BANK 2 (SEE BREAKDOWN FOR COMPONENTS) |
| 2 | 162-9805 | 1 | MOUNTING GP-VALVE (NOT SERVICED) (SEE BREAKDOWN FOR COMPONENTS) |
| 3 | 501130D1 | 1 | LINES GP-HYDRAULIC OIL (NOT SERVICED) (SEE BREAKDOWN FOR COMPONENTS) |

2093688C
PR: t05k07n15a0018

702

**MT800B SERIES TRACTORS
BRAKING SYSTEM**

**KIT HYDR TRAILER BRAKE - 209-3689
WITH 3 POINT HITCH
EAME ONLY**

NO ILLUSTRATION

NOTIF

**MT800B SERIES TRACTORS
BRAKING SYSTEM**

703

**KIT HYDR TRAILER BRAKE - 209-3689
WITH 3 POINT HITCH
EAME ONLY**

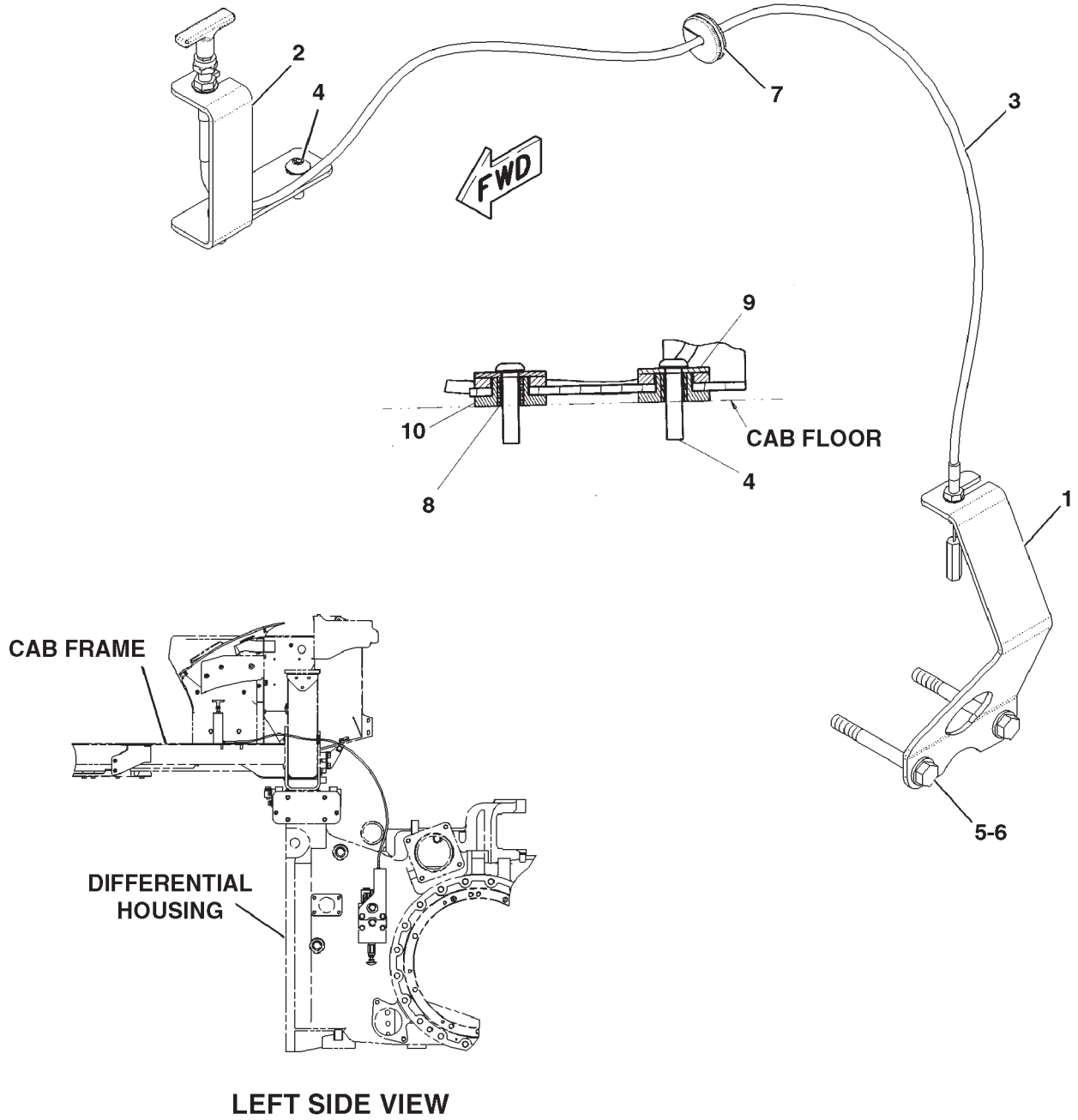
| ITEM | NUMBER | QTY | DESCRIPTION |
|------|-----------|-----|---|
| - | 209-3689 | - | BRAKE AR-TRAILER (SERVICED BY GROUPS) |
| 1 | CH7X-0474 | 4 | BOLT (M10X1.5X220MM) |
| 2 | 400287X1 | 4 | WASHER-HARD (11X21X2.5) |
| 3 | 162-9805 | 1 | MOUNTING GP-VALVE (NOT SERVICED) (SEE BREAKDOWN FOR COMPONENTS) |
| 4 | 193-1558 | 1 | LINES GP-HYDRAULIC (NOT SERVICED) (SEE BREAKDOWN FOR COMPONENTS) |
| 5 | 196-2318 | 1 | VALVE GP-BRAKE CONTROL (SEE BREAKDOWN FOR COMPONENTS) |
| 6 | 209-5021 | 1 | VALVE GP-CONTROL (PRIORITY) (SEE BREAKDOWN FOR COMPONENTS) |
| 7 | CH5P-9186 | 8 | SEAL-O-RING [J] |
| 8 | CH8L-2777 | 7 | SEAL-O-RING [J] |

[J] QUANTITIES SHOWN REFLECT
REPLACEMENT SEALS FOR THE VALVE
SECTION IMMEDIATELY BELOW THE TOP
PLATE AND DUPLICATE SEALS FOR THOSE
PRESENT IN THE ADDITIONAL VALVE GP

NOTIF
PR: t05b22n43d0298

MT800B SERIES TRACTORS
BRAKING SYSTEM

BRAKE GP-PARKING - 210-7510



**MT800B SERIES TRACTORS
BRAKING SYSTEM**

705

BRAKE GP-PARKING - 210-7510

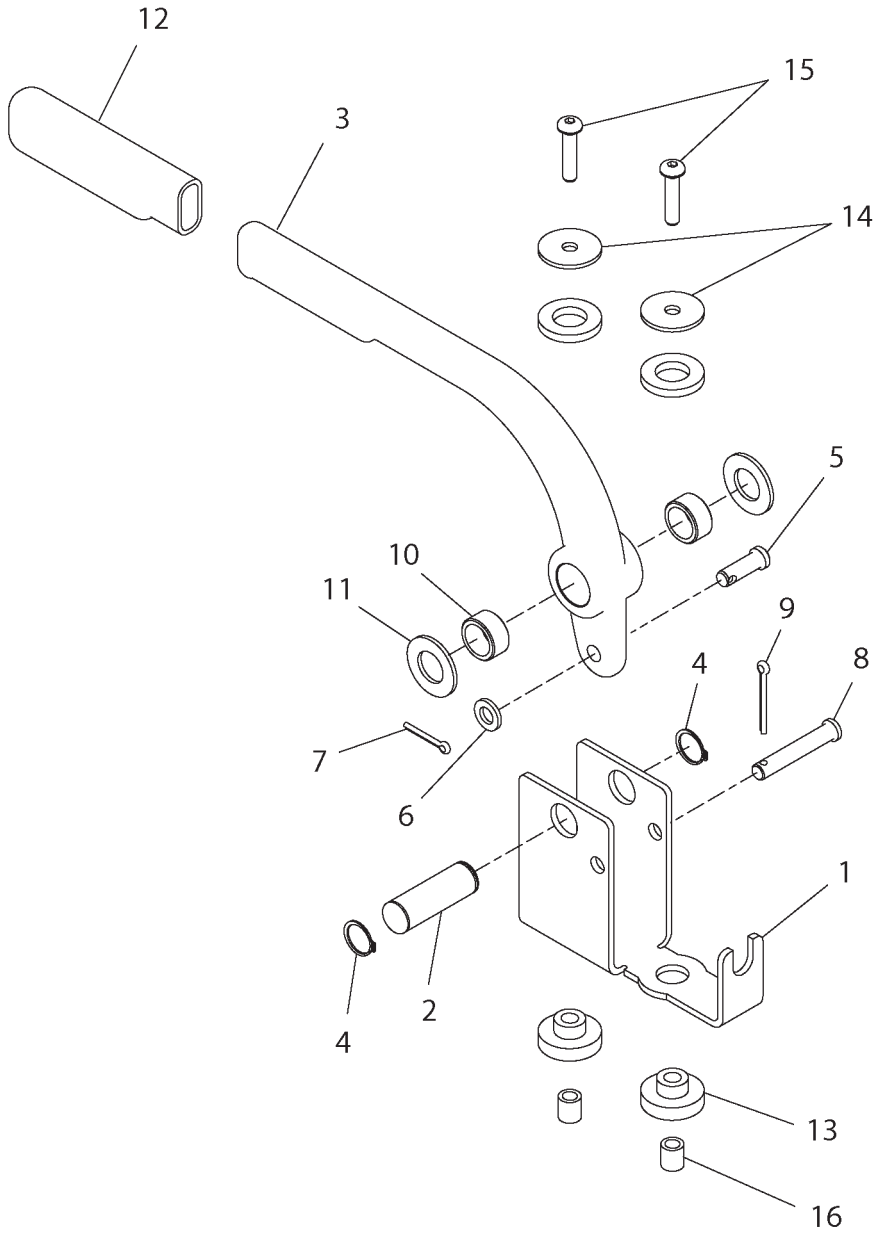
| ITEM | NUMBER | QTY | DESCRIPTION |
|------|------------|-----|-------------------------------------|
| - | 210-7510 | - | BRAKE GP-PARKING [A] (NOT SERVICED) |
| 1 | 192-6383 | 1 | BRACKET |
| 2 | 210-7483 | 1 | BRACKET |
| 3 | 210-7511 | 1 | CABLE (PARKING BRAKE) |
| 4 | CH142-2304 | 2 | SCREW (M8 X 1.25) |
| 5 | 400287X1 | 2 | WASHER-HARD (11X21X2.5) |
| 6 | 400225X1 | 2 | BOLT (M10X1.5X90MM) |
| 7 | 400114X1 | 1 | GROMMET (30ODX7IDX3LG) |
| 8 | CH226-2711 | 2 | SPACER |
| 9 | CH156-0283 | 2 | WASHER-HARD |
| 10 | CH226-0372 | 2 | MOUNT |

[A] PART OF 179-1952 BASE AR-COMMON

0893359B
PR: t05b22n43d0299

MT800B SERIES TRACTORS
BRAKING SYSTEM

CONTROL GP-PARKING BRAKE - 172-6857
EAME ONLY



MT800B SERIES TRACTORS
BRAKING SYSTEM

707

CONTROL GP-PARKING BRAKE - 172-6857
EAME ONLY

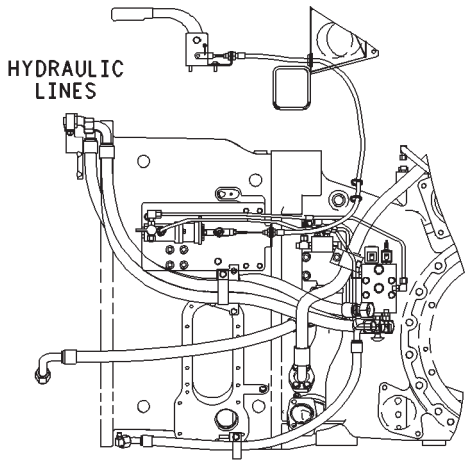
| ITEM | NUMBER | QTY | DESCRIPTION |
|------|------------|-----|--|
| - | 172-6857 | - | CONTROL GP-PARK BRAKE [A] (NOT SERVICED) |
| 1 | 179-6897 | 1 | BRACKET |
| 2 | CH179-6898 | 1 | PIN |
| 3 | 179-6901 | 1 | HANDLE |
| 4 | CH2J-6356 | 2 | RING-RETAINING |
| 5 | CH9H-6673 | 1 | PIN |
| 6 | CH5M-2894 | 1 | WASHER-HARD (10.2X18.5X2.5MM THK) |
| 7 | CH3B-4617 | 1 | PIN-COTTER |
| 8 | CH6L-3966 | 1 | PIN |
| 9 | CH5J-3079 | 1 | PIN-COTTER |
| 10 | CH4E-1251 | 2 | BEARING-SLEEVE |
| 11 | CH114-5786 | 2 | WASHER-NYLON (19.5X36.2X2.5MM THK) |
| 12 | 179-6899 | 1 | COVER |
| 13 | CH226-0372 | 2 | BUSHING MOUNT (34.9ODX9.5ID |
| 14 | CH156-0283 | 2 | WASHER-HARD (8.4X35X2.5MM THK) |
| 15 | CH142-2304 | 2 | BOLT-BTN HD (M8X1.25X35MM) |
| 16 | CH226-2711 | 2 | SPACER (12.7IDX8.2ODX14) |

[A] PART OF:
152-0008; 152-0009; 500841D1;
500842D1; 502659D1; 502660D1 CAB AR

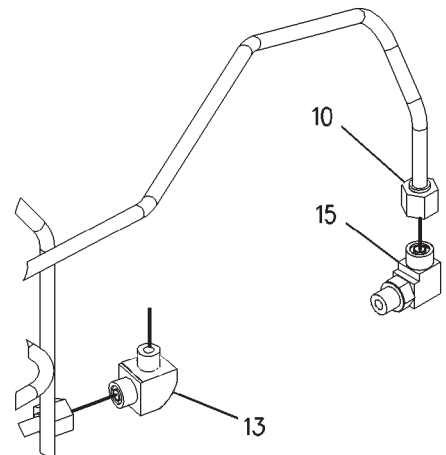
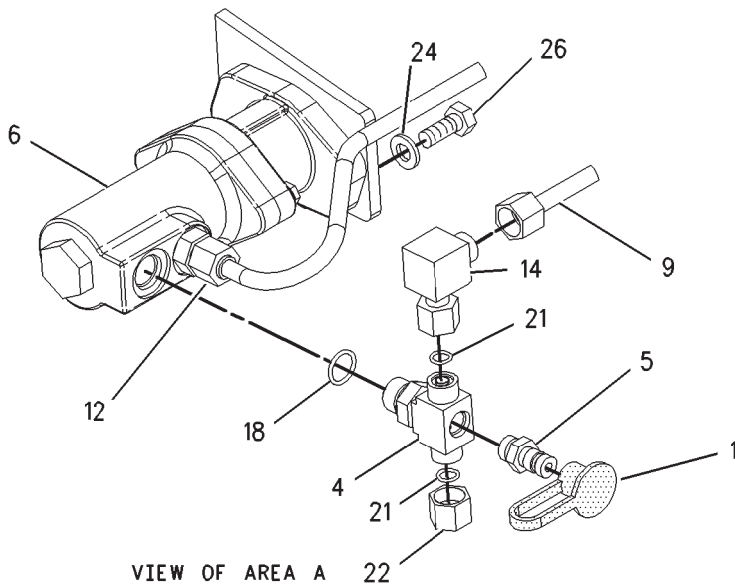
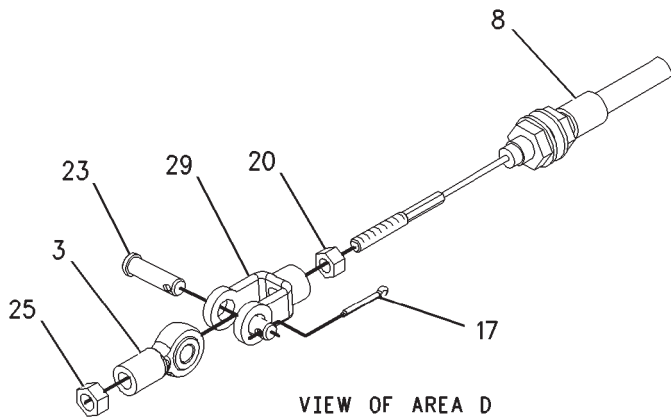
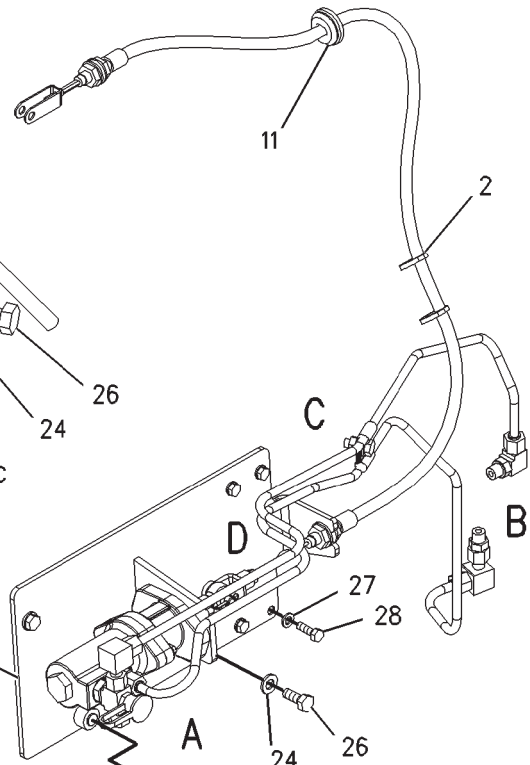
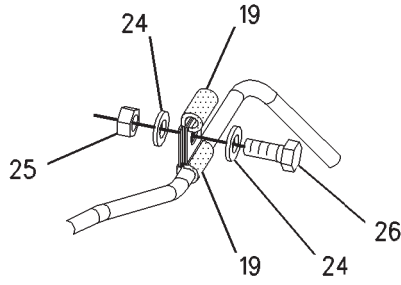
1726857F
PR: t05b22n43d0300

MT800B SERIES TRACTORS
BRAKING SYSTEM

CONTROL GP-PARKING BRAKE - 192-6360
SECONDARY
EAME ONLY



LEFT SIDE VIEW



**MT800B SERIES TRACTORS
BRAKING SYSTEM**

709

**CONTROL GP-PARKING BRAKE - 192-6360
SECONDARY
EAME ONLY**

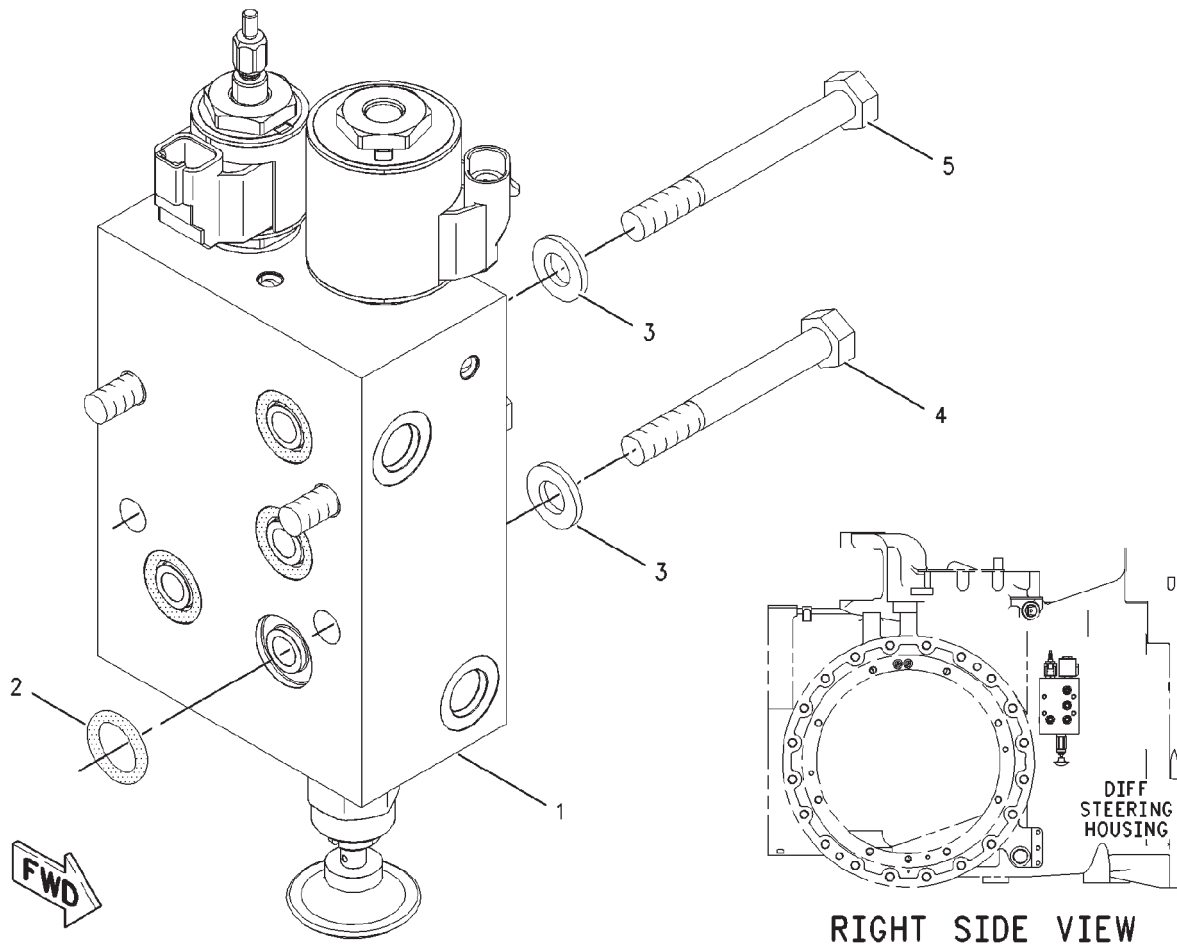
| ITEM | NUMBER | QTY | DESCRIPTION |
|------|------------|-----|-----------------------------------|
| - | 192-6360 | - | CONTROL GP-PARKING BRAKE |
| 1 | 400323X1 | 1 | CAP-DUST |
| 2 | CH7K-1181 | 2 | STRAP-CABLE |
| 3 | CH8T-6431 | 1 | ROD END |
| 4 | CH163-6018 | 1 | TEE |
| 5 | 400324X1 | 1 | NIPPLE AS-QUICK DISC-4&ORING |
| | 400318X1 | 1 | SEAL-O-RING (11.89ID X 1.98) |
| 6 | 192-6371 | 1 | VALVE AS-BRAKE [J] |
| 7 | 200-4317 | 1 | BRACKET AS |
| 8 | 200-4323 | 1 | CABLE AS |
| 9 | 200-4392 | 1 | TUBE AS |
| 10 | 200-4372 | 1 | TUBE AS |
| 11 | CH212-4443 | 1 | GROMMET |
| 12 | 400628X1 | 1 | CONNECTOR AS-STR -8STOR-6ORFS |
| | CH3K-0360 | 1 | SEAL-O-RING (16.36ID X 2.21DIA) |
| | 400378X1 | 1 | SEAL-O-RING (12.83OD X 1.78DIA) |
| 13 | CH148-8374 | 1 | ELBOW AS-90DEG 6ORFS X 8STOR |
| | CH3K-0360 | 1 | SEAL-O-RING (16.36ID X 2.21DIA) |
| | 400378X1 | 1 | SEAL-O-RING (12.83OD X 1.78DIA) |
| 14 | CH148-8367 | 1 | ELBOW AS-90DEG 6ORFS X 6ORFS SWVL |
| | 400378X1 | 1 | SEAL-O-RING (12.83OD X 1.78DIA) |
| 15 | CH148-8378 | 1 | ELBOW AS-90 DEG 4 STOR X6 ORFS |
| | 400318X1 | 1 | SEAL-O-RING (11.89ID X 1.98DIA) |
| | 400378X1 | 1 | SEAL-O-RING (12.83OD X 1.78DIA) |
| 16 | CH193-5914 | 4 | PLUG |
| 17 | CH3B-4617 | 1 | PIN-COTTER |
| 18 | CH3K-0360 | 1 | SEAL-O-RING (16.36ID X 2.21DIA) |
| 19 | 400620X1 | 2 | CLIP |
| 20 | CH6V-8183 | 1 | NUT-FULL (3/8-24 THD) |
| 21 | 400378X1 | 2 | SEAL-O-RING |
| 22 | CH6V-9829 | 1 | CAP AS |
| 23 | CH7X-0795 | 1 | PIN |
| 24 | 400287X1 | 6 | WASHER-HARD (11X21X2.5MM THK) |
| 25 | 7774664 | 2 | NUT (M10X1.5 THD) |
| 26 | 400039X1 | 5 | BOLT (M10X1.5X25MM) |
| 27 | 400339X1 | 4 | WASHER-HARD (8.8X16X2MM THK) |
| 28 | 400341X1 | 4 | BOLT (M8X1.25X25MM) |
| 29 | CH8X-6167 | 1 | ROD END |
| | 200-4341 | 1 | KIT-REPAIR (VALVE AS-BRAKE) [J] |

[A] PART OF 179-2180; 501811D1;
502936D1 BASE COMMON AR
[J] REPAIR KIT(S) MARKED J AVAILABLE
FOR PART(S) MARKED J

0894062A
PR: t05b22n43d0301

MT800B SERIES TRACTORS
BRAKING SYSTEM

CONTROL GP-PARKING BRAKE - 192-6350



MT800B SERIES TRACTORS
BRAKING SYSTEM

711

CONTROL GP-PARKING BRAKE - 192-6350

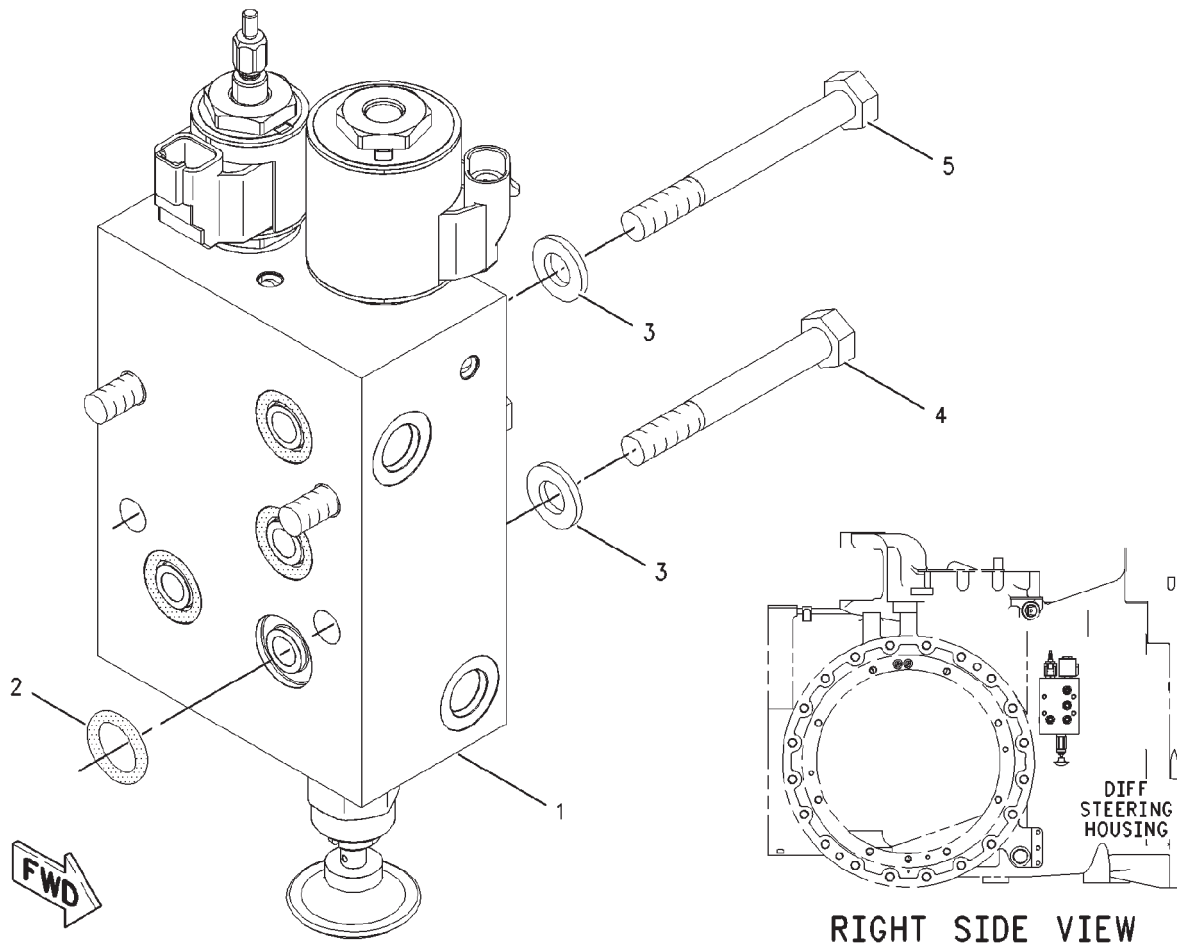
| ITEM | NUMBER | QTY | DESCRIPTION |
|------|-----------|-----|--|
| - | 192-6350 | - | CONTROL GP-PARKING BRAKE [A] (NOT SERVICED) |
| 1 | 200-4351 | 1 | VALVE GP-PARKING BRAKE (SEE BREAKDOWN FOR COMPONENTS) |
| 2 | CH5P-8119 | 4 | SEAL-O-RING |
| 3 | 400287X1 | 4 | WASHER-HARD (11X21X2.5) |
| 4 | 400044X1 | 3 | BOLT (M10X1.50X80MM) |
| 5 | 400225X1 | 1 | BOLT (M10X1.5X90MM) |

[A] PART OF:
179-1952; 501810D1; 501811D1;
502935D1; 502936D1 BASE COMMON AR

00856740
PR: t05b22n43d0302

**MT800B SERIES TRACTORS
BRAKING SYSTEM**

CONTROL GP-PARKING BRAKE - 502456D1



MT800B SERIES TRACTORS
BRAKING SYSTEM

713

CONTROL GP-PARKING BRAKE - 502456D1

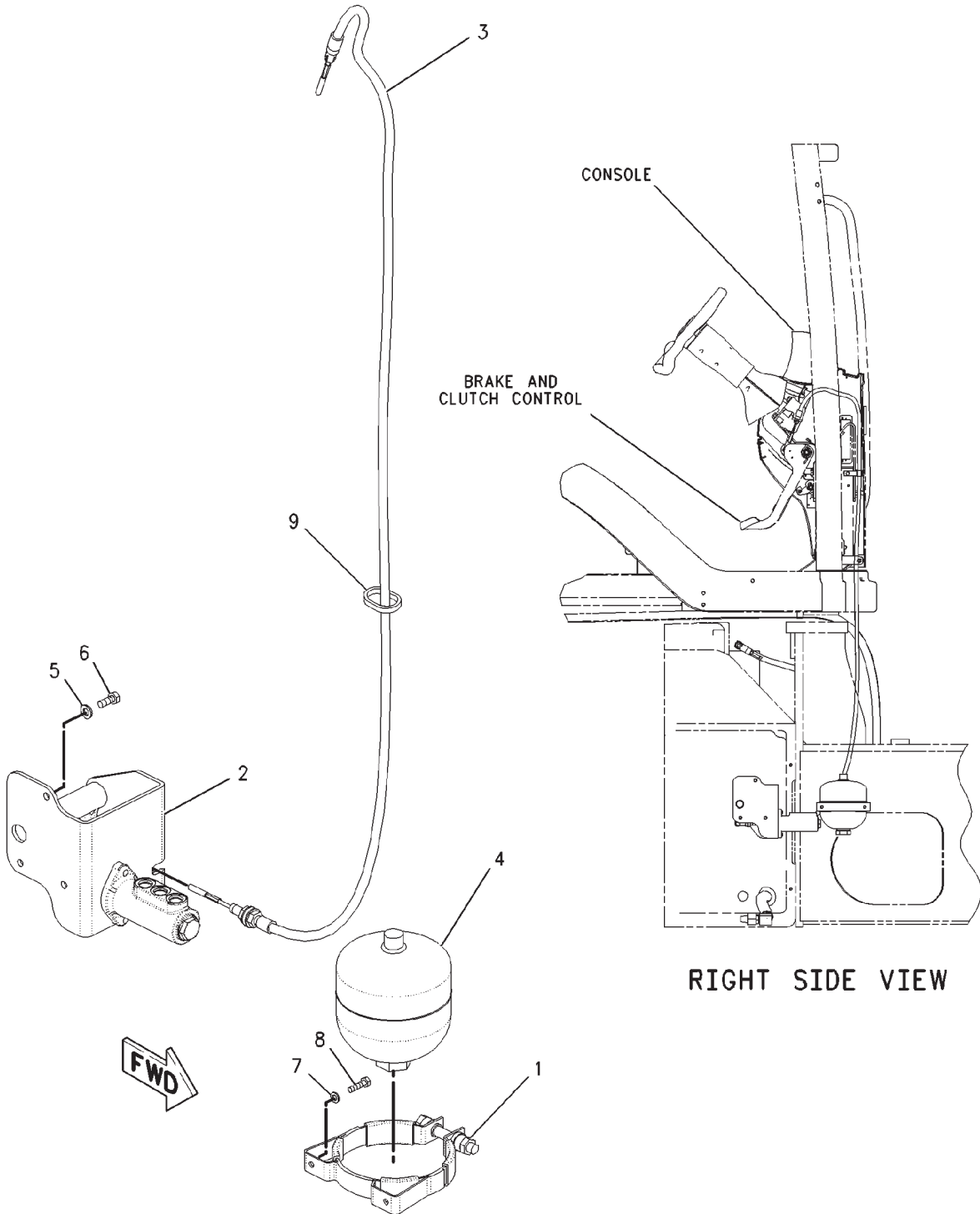
| ITEM | NUMBER | QTY | DESCRIPTION |
|------|-----------|-----|--|
| - | 502456D1 | - | CONTROL GP-PARKING BRAKE [A] (NOT SERVICED) |
| 1 | 502454D1 | 1 | VALVE GP-PARKING BRAKE (SEE BREAKDOWN FOR COMPONENTS) |
| 2 | CH5P-8119 | 4 | SEAL-O-RING |
| 3 | 400287X1 | 4 | WASHER-HARD (11X21X2.5) |
| 4 | 400061X1 | 3 | BOLT (M10X1.5X100MM) |
| 5 | 400061X1 | 1 | BOLT (M10X1.5X100MM) |

[A] PART OF:
179-2180; 501810D1; 501811D1;
502935D1; 502936D1 BASE COMMON AR

00856740
PR: t05k07n15a0019

**MT800B SERIES TRACTORS
BRAKING SYSTEM**

**CONTROL GP-SERVICE BRAKE - 200-4400
EAME ONLY**



**MT800B SERIES TRACTORS
BRAKING SYSTEM**

715

**CONTROL GP-SERVICE BRAKE - 200-4400
EAME ONLY**

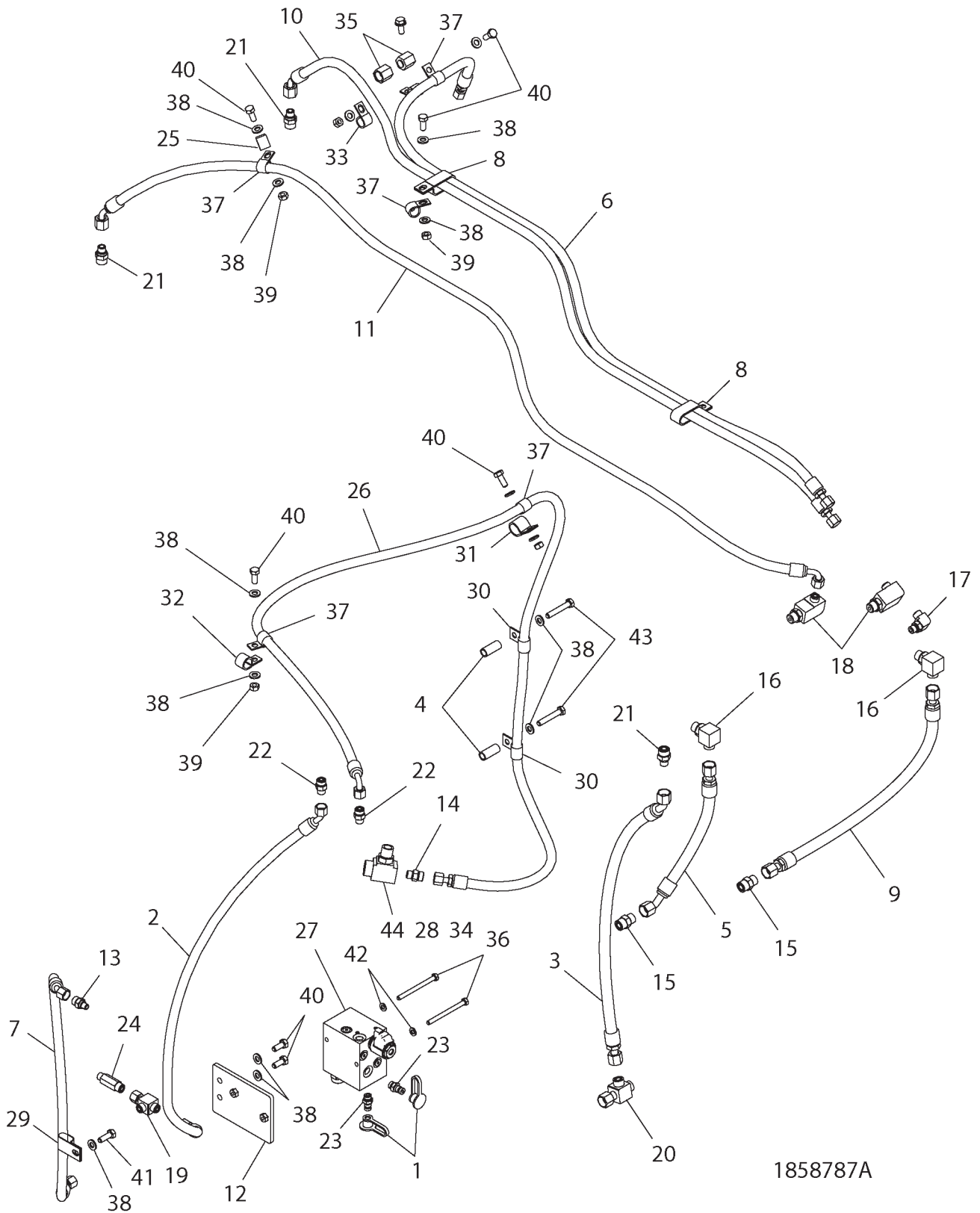
| ITEM | NUMBER | QTY | DESCRIPTION |
|------|------------|-----|--|
| - | 200-4400 | - | CONTROL GP-SERVICE BRAKE [A] (NOT SERVICED) |
| 1 | CH180-1120 | 1 | CLAMP |
| 2 | 184-5338 | 1 | CYLINDER GP-MASTER (SEE BREAKDOWN FOR COMPONENTS) |
| 3 | 500447D1 | 1 | CABLE (SERVICE BRAKE) |
| 4 | 200-4335 | 1 | ACCUMULATOR ASM-BRAKE |
| | 502105D1 | 1 | TAG-CYLINDER |
| | 208-7843 | 1 | FILM-ACCUMULATOR |
| 5 | 400287X1 | 3 | WASHER-HARD (11X21X2.5) |
| 6 | 400039X1 | 3 | BOLT (M10X1.5X25MM) |
| 7 | 400339X1 | 2 | WASHER-HARD (8.8X16X2) |
| 8 | 400245X1 | 2 | BOLT (M8X1.25X30MM) |
| 9 | CH7K-1181 | 1 | STRAP-CABLE |

[A] PART OF 179-1952 BASE AR-COMMON

00888809
PR: t05b22n43d0303

MT800B SERIES TRACTORS
BRAKING SYSTEM

LINES GP-SERV BRAKE (B) - 185-8787
EAME ONLY



1858787A

**MT800B SERIES TRACTORS
BRAKING SYSTEM**

717

**LINES GP-SERV BRAKE (B) - 185-8787
EAME ONLY**

| ITEM | NUMBER | QTY | DESCRIPTION |
|------|------------|-----|---|
| - | 185-8787 | - | LINES GP-SERV BRAKE (B) [A] (NOT SERVICED) |
| 1 | 400323X1 | 2 | CAP-DUST 12.6 DIA -RUBBER |
| 2 | CH192-6389 | 1 | HOSE AS-9.5 ID SAE 100R1 |
| 3 | CH197-5910 | 1 | HOSE AS-12.7 ID SAE 100R1 |
| 4 | CH209-3395 | 2 | SPACER-17.14ODX12.52IDX40 ZN |
| 5 | CH212-0297 | 1 | HOSE AS-12.7 ID SAE 100R1 |
| 6 | CH212-0302 | 2 | HOSE AS-9.5 ID SAE 100R1 |
| 7 | CH212-0310 | 1 | HOSE AS-9.5 ID SAE 100R1 |
| 8 | 400625X1 | 2 | CLIP-19.05 ID DBL,M10 OR 3/8 |
| 9 | CH218-3575 | 1 | HOSE AS-12.7 ID SAE 100R1 |
| 10 | CH221-0050 | 1 | HOSE AS-9.5 ID SAE 100R1 |
| 11 | CH221-0051 | 1 | HOSE AS-9.5 ID SAE 100R1 |
| 12 | 221-0331 | 1 | BRACKET AS |
| 13 | CH148-8326 | 1 | CONNECTOR AS-6 ORFS X 4 STOR |
| | 400361X1 | 1 | SEAL-O-RING (8.92ID X 1.83DIA) |
| | 400378X1 | 1 | SEAL-O-RING (12.83ID X 1.78DIA) |
| 14 | 400367X1 | 1 | CONNECTOR AS-6 STOR -6 ORFS |
| | 400378X1 | 1 | SEAL-O-RING (12.83ID X 1.78DIA) |
| | 400318X1 | 1 | SEAL-O-RING (11.89ID X 1.98DIA) |
| 15 | CH148-8340 | 2 | CONNECTOR AS-8ORFS-8STOR |
| | CH3K-0360 | 1 | SEAL-O-RING (16.36IDX2.21DIA) |
| | CH6V-8398 | 1 | SEAL-O-RING (16.03ODX1.78DIA) |
| 16 | CH148-8364 | 1 | ELBOW ASM-90DEG -8STOR -8ORFS |
| | CH3K-0360 | 1 | SEAL-O-RING (16.36ID X 2.21DIA) |
| | CH6V-8398 | 1 | SEAL-O-RING (16.03OD X 1.78DIA) |
| 17 | CH148-8378 | 1 | ELBOW AS-90 DEG 4 STOR X6 ORFS |
| | 400318X1 | 1 | SEAL-O-RING (11.89IDX1.98DIA) |
| | 400378X1 | 1 | SEAL-O-RING (12.83ODX1.78DIA) |
| 18 | CH148-8383 | 2 | ELBOW AS-90DEG 8STOR X 6ORFS |
| | CH3K-0360 | 1 | SEAL-O-RING (16.36IDX2.21DIA) |
| | 400378X1 | 1 | SEAL-O-RING (12.83ODX1.78DIA) |
| 19 | CH148-8433 | 1 | TEE AS-6 ORFS X 3 |
| | 400378X1 | 2 | SEAL-O-RING (12.83ODX1.78DIA) |
| 20 | CH148-8444 | 1 | TEE-SWIVEL 3X -8 ORFS |
| | CH6V-8398 | 2 | SEAL-O-RING (16.03 ID X 1.78 DIA) |
| 21 | 400428X1 | 3 | CONNECTOR AS -6STOR-8ORFS |
| | 400318X1 | 1 | SEAL-O-RING (11.89IDX1.98DIA) |
| | CH6V-8398 | 1 | SEAL-O-RING (16.03ODX1.78DIA) |
| 22 | 400638X1 | 2 | CONNECTOR AS-STR-6STOR-6ORFS |
| | 400637X1 | 1 | SEAL-O-RING (9.25IDX1.78DIA) |
| | 400318X1 | 1 | SEAL-O-RING (11.89IDX1.98DIA) |
| 23 | 400324X1 | 2 | NIPPLE AS-QUICK DISC-4&ORING |
| | 400318X1 | 1 | SEAL-O-RING (11.89ID X 1.98) |
| 24 | CH164-9869 | 1 | CONNECTOR AS-6STOR X 6ORFS |
| | 400378X1 | 1 | SEAL-O-RING (12.83ODX1.78DIA) |
| | 400318X1 | 1 | SEAL-O-RING (11.89IDX1.98DIA) |
| 25 | CH1S-0994 | 1 | CLIP-LOOP 20.64 ID |
| 26 | 228-7494 | 1 | HOSE AS. |
| 27 | 232-0838 | 1 | VALVE AS. |
| 28 | 400319X1 | 1 | SEAL-O-RING 19.18 IDX2.46 DIA |

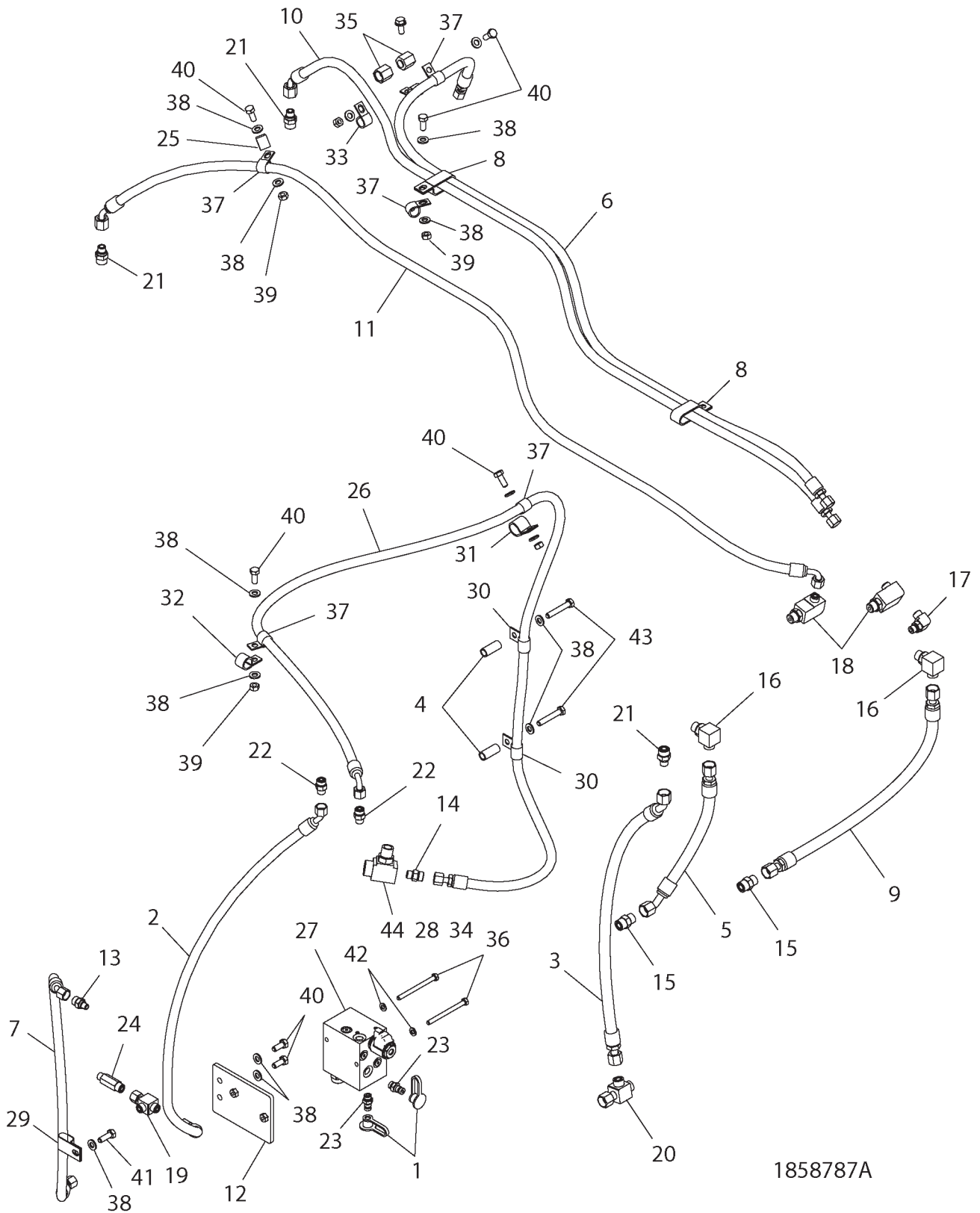
CONTINUED

[A] PART OF: 179-2180; 501811D1;
502936D1 BASE COMMON AR

1858787A
PR: t05b22n43d0304

MT800B SERIES TRACTORS
BRAKING SYSTEM

LINES GP-SERV BRAKE (B) - 185-8787
EAME ONLY



1858787A

**MT800B SERIES TRACTORS
BRAKING SYSTEM**

719

**LINES GP-SERV BRAKE (B) - 185-8787
EAME ONLY**

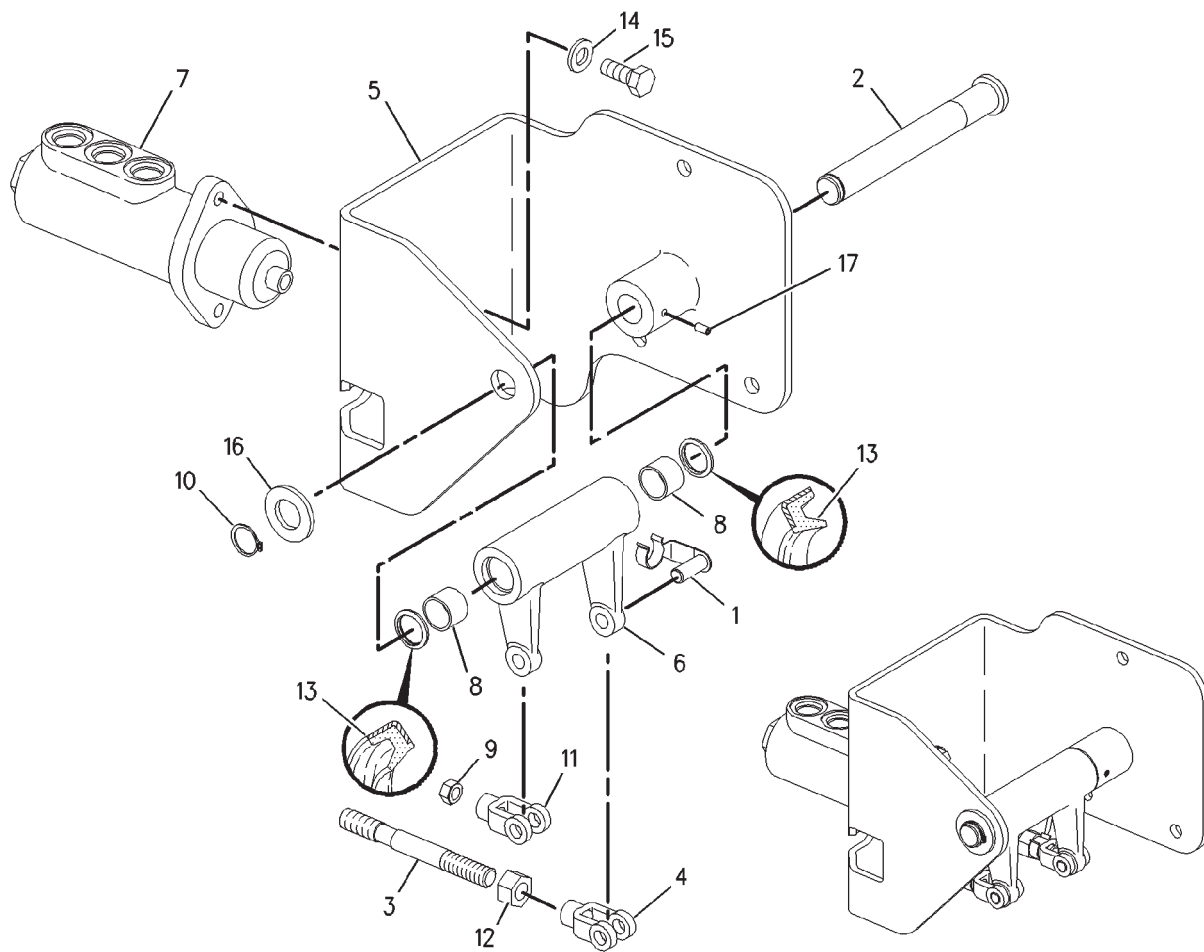
| ITEM | NUMBER | QTY | DESCRIPTION |
|------|-----------|-----|---|
| - | 185-8787 | - | LINES GP-SERV BRAKE (B) [A] (NOT SERVICED) |
| 29 | CH4D-7733 | 1 | CLIP-LOOP 17.46ID |
| 30 | CH4D-7735 | 2 | CLIP-LOOP 18.29ID |
| 31 | CH4S-1962 | 1 | CLIP-LOOP 25.4 ID |
| 32 | CH6D-4244 | 1 | CLIP-LOOP 22.22 ID W/COAT |
| 33 | CH6D-4246 | 4 | CLIP-LOOP 19.05ID |
| 34 | 400366X1 | 1 | SEAL-O-RING 22.5 ODX1.78 DIA |
| 35 | 400645X1 | 2 | CAP AS-12.7 OD-8 ORFS |
| 36 | 400028X1 | 2 | BOLT-M8X1.25X100 ZNDI HHD 10.9 |
| 37 | CH8M-2773 | 5 | CLIP-LOOP 47.6 ID |
| 38 | 400287X1 | 16 | WASHER-HARD 11IDX21ODX2.5 ZND1 |
| 39 | 7774664 | 5 | NUT-M10-1.5,CL10.9,ZN,H,REG |
| 40 | 400039X1 | 8 | BOLT-M10X1.5X25 ZNDI HHD 10.9 |
| 41 | 400058X1 | 1 | BOLT-M10X1.5X30 ZNDI HHD 10.9 |
| 42 | 400339X1 | 2 | WASHER-HARD |
| 43 | 400239X1 | 2 | BOLT-M10X1.5X60 ZNDI HHD 10.9 |
| 44 | CH9X-2541 | 1 | TEE-6STOR X 10STOR X 12ORFS |

[A] PART OF: 179-2180; 501811D1;
502936D1 BASE COMMON AR

1858787A
PR: t05b22n43d0304

MT800B SERIES TRACTORS
BRAKING SYSTEM

CYLINDER GP-MASTER - 184-5338
SERVICE BRAKE



**MT800B SERIES TRACTORS
BRAKING SYSTEM**

721

**CYLINDER GP-MASTER - 184-5338
SERVICE BRAKE**

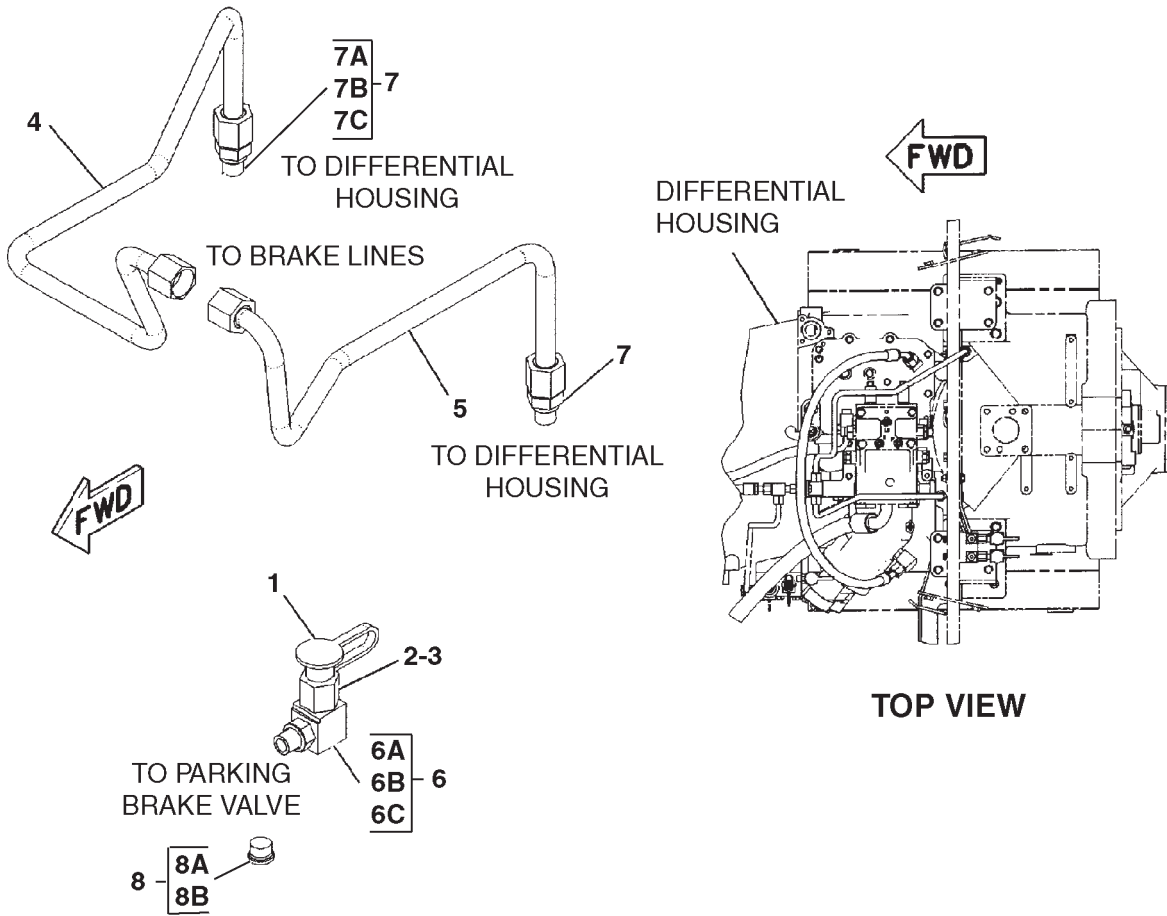
| ITEM | NUMBER | QTY | DESCRIPTION |
|------|------------|-----|-------------------------------|
| - | 184-5338 | - | CYLINDER GP-MASTER [A] |
| 1 | CH8T-8932 | 2 | PIN-SPRING |
| 2 | CH184-5339 | 1 | ROD |
| 3 | 184-5352 | 1 | STEM |
| 4 | 400117X1 | 1 | ROD END |
| 5 | 200-4316 | 1 | BRACKET ASM |
| | CH8T-3490 | 1 | NUT |
| 6 | 200-4322 | 1 | LEVER |
| 7 | 200-4343 | 1 | VALVE (BRAKE) |
| 8 | CH200-4384 | 2 | BEARING |
| 9 | CH1B-4202 | 1 | NUT (5/16-24) |
| 10 | CH2J-6356 | 1 | RING-RETAINING |
| 11 | CH4J-2701 | 1 | ROD END |
| 12 | CH7X-3374 | 1 | NUT-FULL (1/2-20) |
| 13 | CH8F-7702 | 2 | SEAL-LIP |
| 14 | 400287X1 | 2 | WASHER-HARD (11X21X2.5) |
| 15 | 400039X1 | 2 | BOLT (M10X1.5X25MM) |
| 16 | CH8T-4994 | 1 | WASHER-HARD (20X36.5X3.5) |
| 17 | CH8T-9102 | 1 | SETSCREW-SOCKET (M5X0.8X10MM) |

[A] PART OF 200-4400 CONTROL GP-SRVC
BRAKE

00886571
PR: t05b22n43d0305

MT800B SERIES TRACTORS
BRAKING SYSTEM

LINES GP-BRAKE - 163-0386



**MT800B SERIES TRACTORS
BRAKING SYSTEM**

723

LINES GP-BRAKE - 163-0386

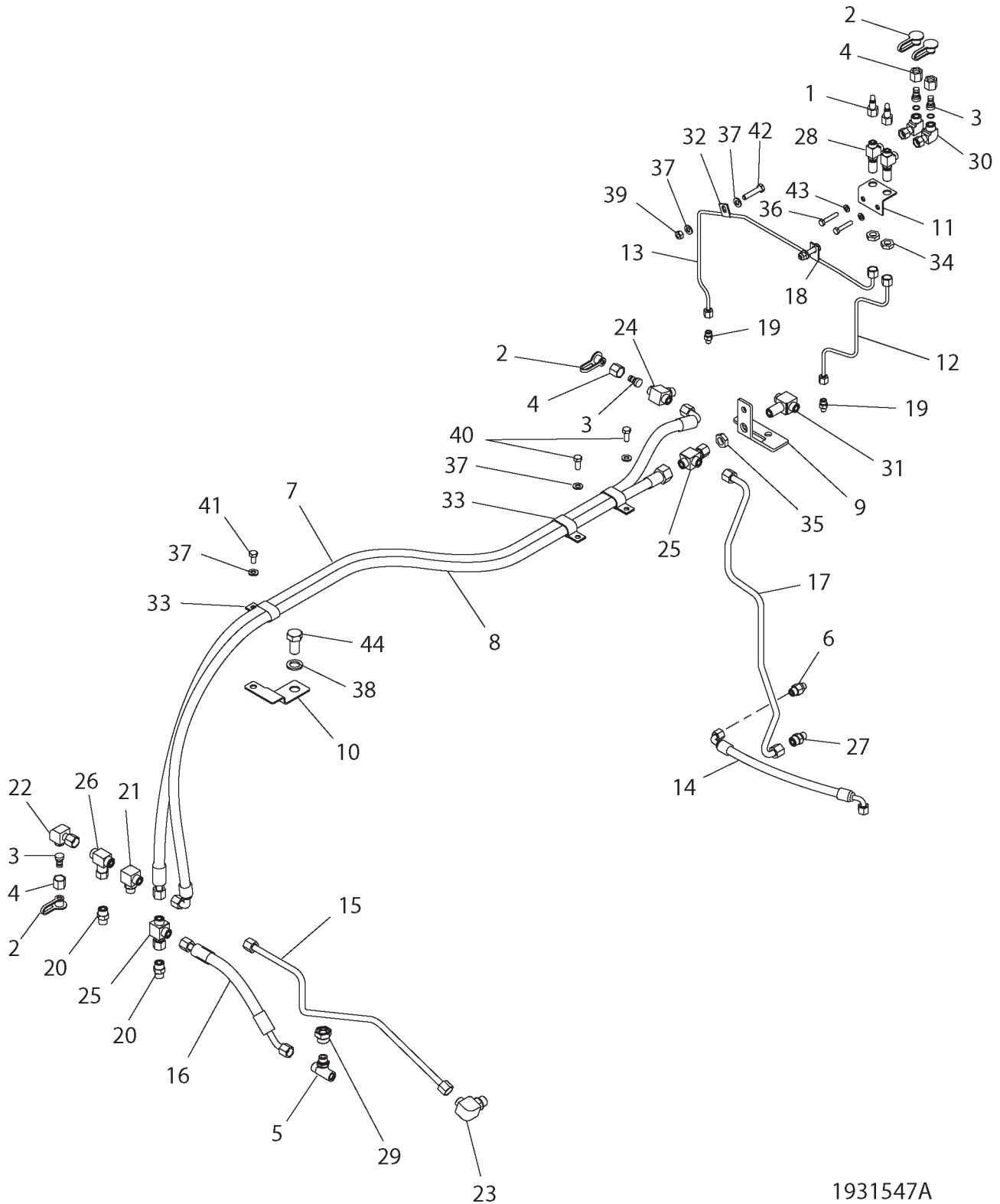
| ITEM | NUMBER | QTY | DESCRIPTION |
|------|------------|-----|--------------------------------------|
| - | 163-0386 | - | LINES GP-BRAKE [A] (NOT SERVICED) |
| 1 | 400323X1 | 1 | CAP-DUST |
| 2 | CH8C-6416 | 1 | FITTING (INCLUDES NUT) |
| | CH6V-8554 | 1 | NUT |
| 3 | 400607X1 | 1 | NUT (13/16-16) |
| 4 | 208-9814 | 1 | TUBE ASM(INCLUDES NUT, SLEEVE, TUBE) |
| 5 | 208-9815 | 1 | TUBE ASM |
| 6 | 400417X1 | 1 | ELBOW AS (90DEG-6STOR-8ORFS) |
| 6A | 400318X1 | 1 | SEAL-O-RING (11.89IDX1.98DIA) |
| 6B | CH6V-8398 | 1 | SEAL-O-RING (16.03ODX1.78DIA) |
| 6C | | 1 | ELBOW (ORDER ITEM 6) |
| 7 | 400428X1 | 3 | CONNECTOR AS -6STOR-8ORFS |
| 7A | 400318X1 | 1 | SEAL-O-RING (11.89IDX1.98DIA) |
| 7B | CH6V-8398 | 1 | SEAL-O-RING (16.03ODX1.78DIA) |
| 7C | | 1 | CONNECTOR (ORDER IT 7) |
| 8 | CH162-0177 | 1 | PLUG AS (9/16-18 STOR) |
| 8A | 400318X1 | 1 | SEAL-O-RING |
| 8B | | 1 | PLUG (ORDER ITEM 8) |

[A] PART OF:
179-1952; 501810D1 BASE AR-COMMON

0823177A
PR: t05b22n43d0306

MT800B SERIES TRACTORS
BRAKING SYSTEM

LINES GP-BRAKE - 193-1547
COMMON



**MT800B SERIES TRACTORS
BRAKING SYSTEM**

725

**LINES GP-BRAKE - 193-1547
COMMON**

| ITEM | NUMBER | QTY | DESCRIPTION |
|------|------------|-----|---|
| - | 193-1547 | - | LINES GP-BRAKE (COMMON) [A] (NOT SERVICED) |
| 1 | 500494D1 | 2 | VALVE GP-PURGE (BLEEDER) |
| 2 | 400323X1 | 4 | CAP-DUST |
| 3 | CH8C-6416 | 4 | NIPPLE AS |
| | CH6V-8554 | 1 | NUT |
| 4 | 400607X1 | 4 | NUT (13/16-16) |
| 5 | CH172-5761 | 1 | TEE AS (6STORX8STORX8ORFS) |
| | CH3K-0360 | 1 | SEAL-O-RING (16.36IDX2.21DIA) |
| | CH6V-8398 | 1 | SEAL-O-RING (16.03ODX1.78DIA) |
| 6 | CH172-9287 | 1 | CONNECTOR AS (6 STOR -6 ORFS) |
| | 400318X1 | 1 | SEAL-O-RING (11.89IDX1.98DIA) |
| | 400378X1 | 1 | SEAL-O-RING (12.83ODX1.78DIA) |
| 7 | CH208-9829 | 1 | HOSE ASM |
| 8 | CH208-9830 | 1 | HOSE ASM |
| 9 | 208-9838 | 1 | BRACKET ASM |
| 10 | 208-9839 | 1 | BRACKET ASM |
| 11 | 210-5610 | 1 | BRACKET ASM |
| 12 | 210-5648 | 1 | TUBE ASM |
| 13 | 210-5649 | 1 | TUBE ASM |
| 14 | CH212-3585 | 1 | HOSE ASM |
| 15 | 219-9652 | 1 | TUBE ASM |
| 16 | CH219-9653 | 1 | HOSE ASM |
| 17 | 220-3664 | 1 | TUBE ASM |
| 18 | CH0L-2072 | 2 | CLIP |
| 19 | 400368X1 | 2 | CONNECTOR AS (4STOR -4ORFS) |
| | 400361X1 | 1 | SEAL-O-RING (8.92ID X 1.83DIA) |
| | 400377X1 | 1 | SEAL-O-RING (11.23OD X 1.78DIA) |
| 20 | CH148-8340 | 2 | CONNECTOR AS (8ORFS 8STOR) |
| | CH3K-0360 | 1 | SEAL-O-RING (16.36IDX2.21DIA) |
| | CH6V-8398 | 1 | SEAL-O-RING (16.03ODX1.78DIA) |
| 21 | CH148-8364 | 1 | ELBOW ASM-90DEG -8STOR -8ORFS |
| | CH3K-0360 | 1 | SEAL-O-RING (16.36 ID X 2.21 DIA) |
| | CH6V-8398 | 1 | SEAL-O-RING (16.03 OD X 1.78 DIA) |
| 22 | CH148-8370 | 1 | ELBOW AS-90DEG (8 ORFS SWVL) |
| | CH6V-8398 | 1 | SEAL-O-RING (16.03ODX1.78DIA) |
| 23 | CH148-8372 | 1 | ELBOW AS-90DEG 10STOR-8ORFS |
| | 400319X1 | 1 | SEAL-O-RING (19.18IDX2.46DIA) |
| | CH6V-8398 | 1 | SEAL-O-RING (16.03ODX1.78DIA) |
| 24 | CH148-8436 | 1 | TEE ASM (6 ORFS) |
| | CH3K-0360 | 1 | SEAL-O-RING (16.36IDX2.21DIA) |
| | CH6V-8398 | 2 | SEAL-O-RING (16.03ODX1.78DIA) |
| 25 | CH148-8444 | 3 | TEE-SWIVEL 3X -8 ORFS |
| | CH6V-8398 | 2 | SEAL-O-RING (16.03 ID X 1.78 DIA) |

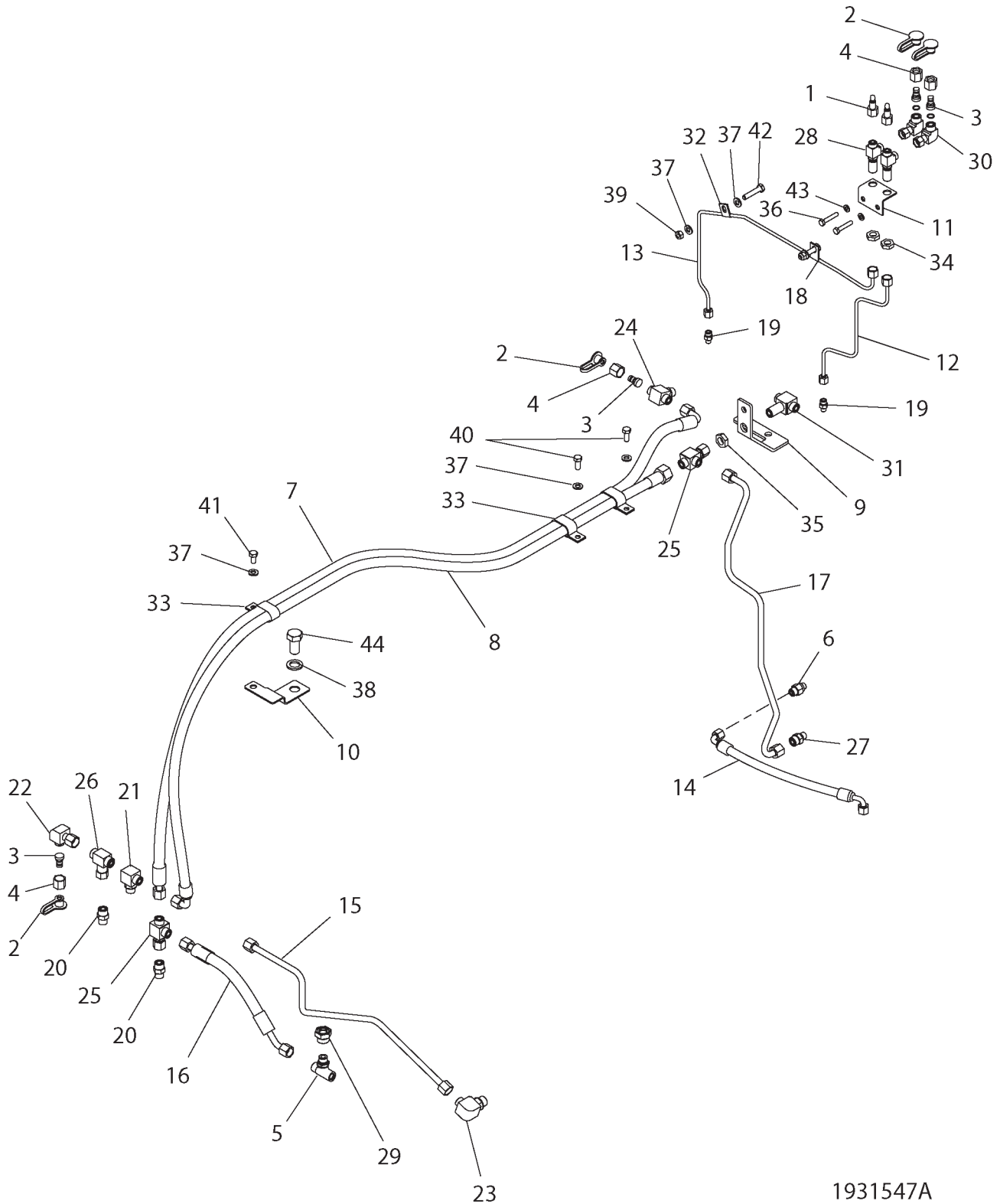
CONTINUED

[A] PART OF 179-1952;179-2180;501810D1
501811D1;502935D1 BASE COMMON AR

1931547A
PR: t05b22n43d0307

MT800B SERIES TRACTORS
BRAKING SYSTEM

LINES GP-BRAKE - 193-1547
COMMON



**MT800B SERIES TRACTORS
BRAKING SYSTEM**

727

**LINES GP-BRAKE - 193-1547
COMMON**

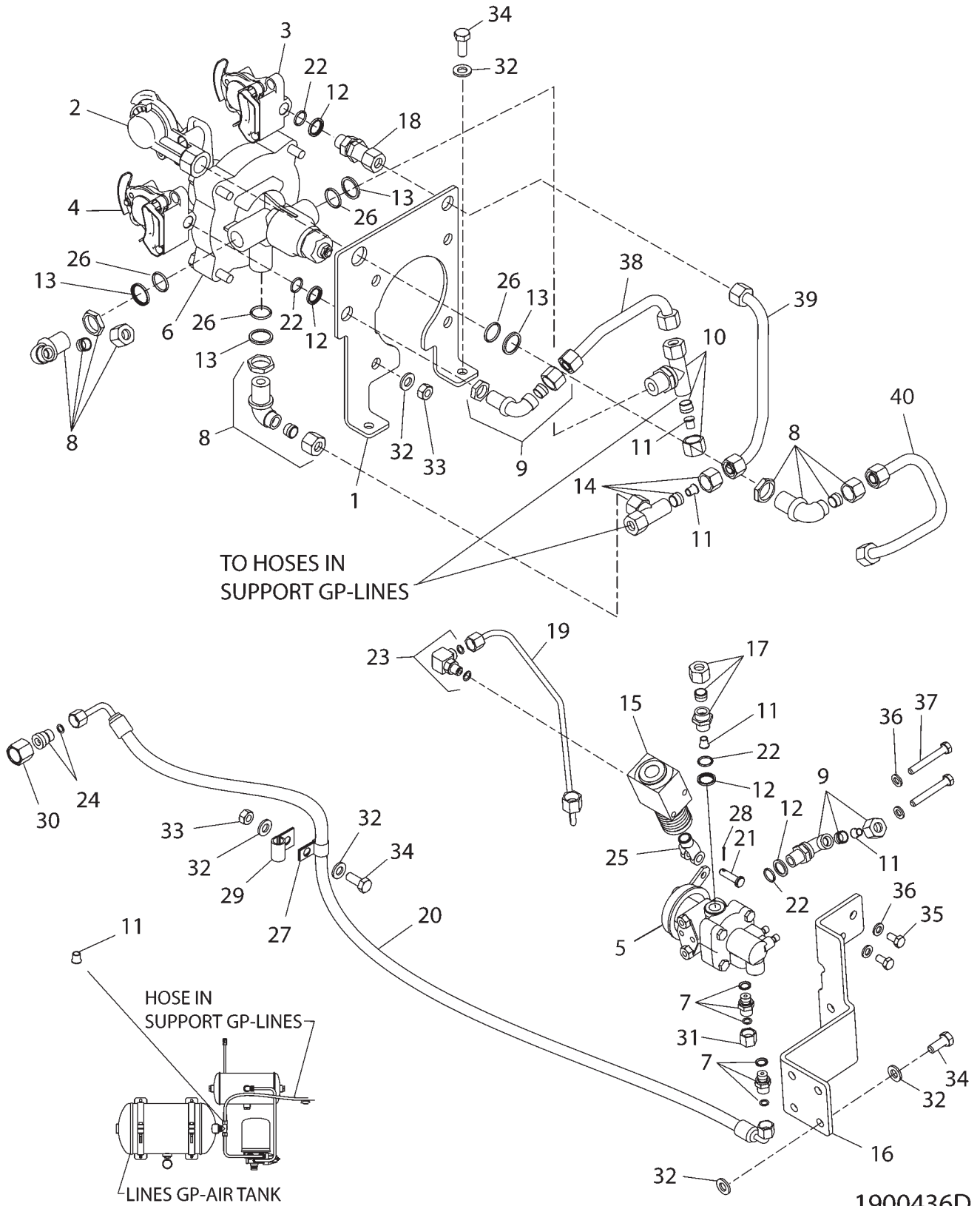
| ITEM | NUMBER | QTY | DESCRIPTION |
|------|------------|-----|---|
| - | 193-1547 | - | LINES GP-BRAKE (COMMON) [A] (NOT SERVICED) |
| 26 | 400614X1 | 1 | TEE AS (8 ORFS) |
| | CH6V-8398 | 2 | SEAL-O-RING (16.03ODX1.78DIA) |
| 27 | 400428X1 | 1 | CONNECTOR AS -6STOR-8ORFS |
| | 400318X1 | 1 | SEAL-O-RING (11.89IDX1.98DIA) |
| | CH6V-8398 | 1 | SEAL-O-RING (16.03ODX1.78DIA) |
| 28 | 400618X1 | 2 | TEE AS-BLKHD (6 ORFS) |
| | 400378X1 | 3 | SEAL-O-RING (12.83ODX1.78DIA) |
| 29 | 400636X1 | 1 | ADAPTER AS (STR-12 STOR-8 PORT) |
| | 400416X1 | 1 | SEAL-O-RING (23.47IDX2.95DIA) |
| 30 | 400825X1 | 2 | ELBOW AS-90DEG (8ORFS) |
| | CH6V-8398 | 2 | SEAL-O-RING (16.03ODX1.78DIA) |
| 31 | CH169-4273 | 1 | TEE ASM-BLKD UNION (8ORFS) |
| | CH6V-8398 | 3 | SEAL-O-RING |
| 32 | CH2B-2404 | 1 | CLIP |
| 33 | CH6D-1641 | 3 | CLIP |
| 34 | 400347X1 | 2 | NUT-BULKHEAD (11/16-16) |
| 35 | 400348X1 | 1 | NUT-BULKHEAD (13/16-16) |
| 36 | 400024X1 | 2 | BOLT (M8X1.25X45MM) |
| 37 | 400287X1 | 7 | WASHER-HARD (11X21X2.5) |
| 38 | 400080X1 | 1 | WASHER-PLATED (22X35X3.5) |
| 39 | 7774664 | 2 | NUT (M10X1.5) |
| 40 | 400039X1 | 2 | BOLT (M10X1.5X25MM) |
| 41 | 400040X1 | 1 | BOLT (M10X1.5X20MM) |
| 42 | 400226X1 | 2 | BOLT (M10X1.5X50MM) |
| 43 | 400339X1 | 2 | WASHER-HARD (8.8X16X2) |
| 44 | 400234X1 | 1 | BOLT (M20X2.5X40MM) |
| 45 | 500950D1 | 2 | NUT-TUBE (NOT SHOWN) |

[A] PART OF 179-1952;179-2180;501810D1
501811D1;502935D1 BASE COMMON AR

1931547A
PR: t05b22n43d0307

MT800B SERIES TRACTORS
BRAKING SYSTEM

LINES GP-CONTROL - 190-0436
AIR TRAILER BRAKE (WITHOUT HITCH)
(EAME ONLY)



**MT800B SERIES TRACTORS
BRAKING SYSTEM**

729

**LINES GP-CONTROL - 190-0436
AIR TRAILER BRAKE (WITHOUT HITCH)
(EAME ONLY)**

| ITEM | NUMBER | QTY | DESCRIPTION |
|------|------------|-----|---------------------------------|
| - | 190-0436 | - | LINES GP-CONTROL (NOT SERVICED) |
| 1 | 162-9766 | 1 | BRACKET |
| 2 | CH171-1105 | 1 | CONNECTOR AS (QUICK) |
| 3 | CH171-1106 | 1 | CONNECTOR AS (QUICK) |
| 4 | CH171-1107 | 1 | CONNECTOR AS (QUICK) |
| 5 | 180-1667 | 1 | VALVE-CONTROL |
| 6 | 180-2519 | 1 | VALVE-CONTROL |
| 7 | CH183-4236 | 2 | ADAPTER GP |
| | 400377X1 | 1 | SEAL-O-RING (11.23OD X 1.78DIA) |
| | CH8C-5200 | 1 | SEAL (14.4ODX9.81IDX1.5THK) |
| 8 | CH185-9753 | 3 | ELBOW AS-90DEG (M18XM22) |
| 9 | CH185-9759 | 2 | ELBOW AS |
| | CH187-6297 | 1 | FERRULE |
| | 400352X1 | 1 | NUT-TUBE (M18X1.5) |
| | 187-9012 | 1 | LOCKNUT |
| 10 | CH185-9762 | 1 | TEE AS (M18XM22XM18) |
| | CH187-6297 | 2 | FERRULE |
| | 400352X1 | 2 | NUT-TUBE (M18X1.5) |
| | CH187-6486 | 1 | LOCKNUT |
| 11 | CH185-9768 | 5 | INSERT |
| 12 | CH185-9772 | 4 | RING-BACKUP |
| 13 | CH185-9773 | 4 | RING-BACKUP |
| 14 | CH190-0430 | 1 | TEE AS (M18X3) |
| | CH3E-4297 | 1 | SEAL-O-RING (10IDX1.5DIA) |
| | CH187-6297 | 2 | FERRULE (12OD TUBE) |
| | 400352X1 | 2 | NUT-TUBE (M18X1.5) |
| 15 | 192-6366 | 1 | ACTUATOR AS |
| 16 | 192-6392 | 1 | BRACKET AS |
| 17 | CH200-4349 | 1 | ADAPTER (M18XM16) |
| | CH187-6297 | 1 | FERRULE (12OD TUBE) |
| | 400352X1 | 1 | NUT-TUBE (M18X1.5) |
| 18 | CH200-4359 | 1 | COUPLING |
| 19 | 200-4374 | 1 | TUBE AS |
| 20 | CH200-4379 | 1 | HOSE AS |
| 21 | CH095-1316 | 1 | PIN-CLEVIS |
| 22 | CH122-9250 | 4 | SEAL-O-RING |
| 23 | 400650X1 | 1 | ELBOW AS-90DEG-4STORX4ORFS |
| | 400361X1 | 1 | SEAL-O-RING (8.92ID X 1.83DIA) |
| | 400377X1 | 1 | SEAL-O-RING (11.23OD X 1.78DIA) |

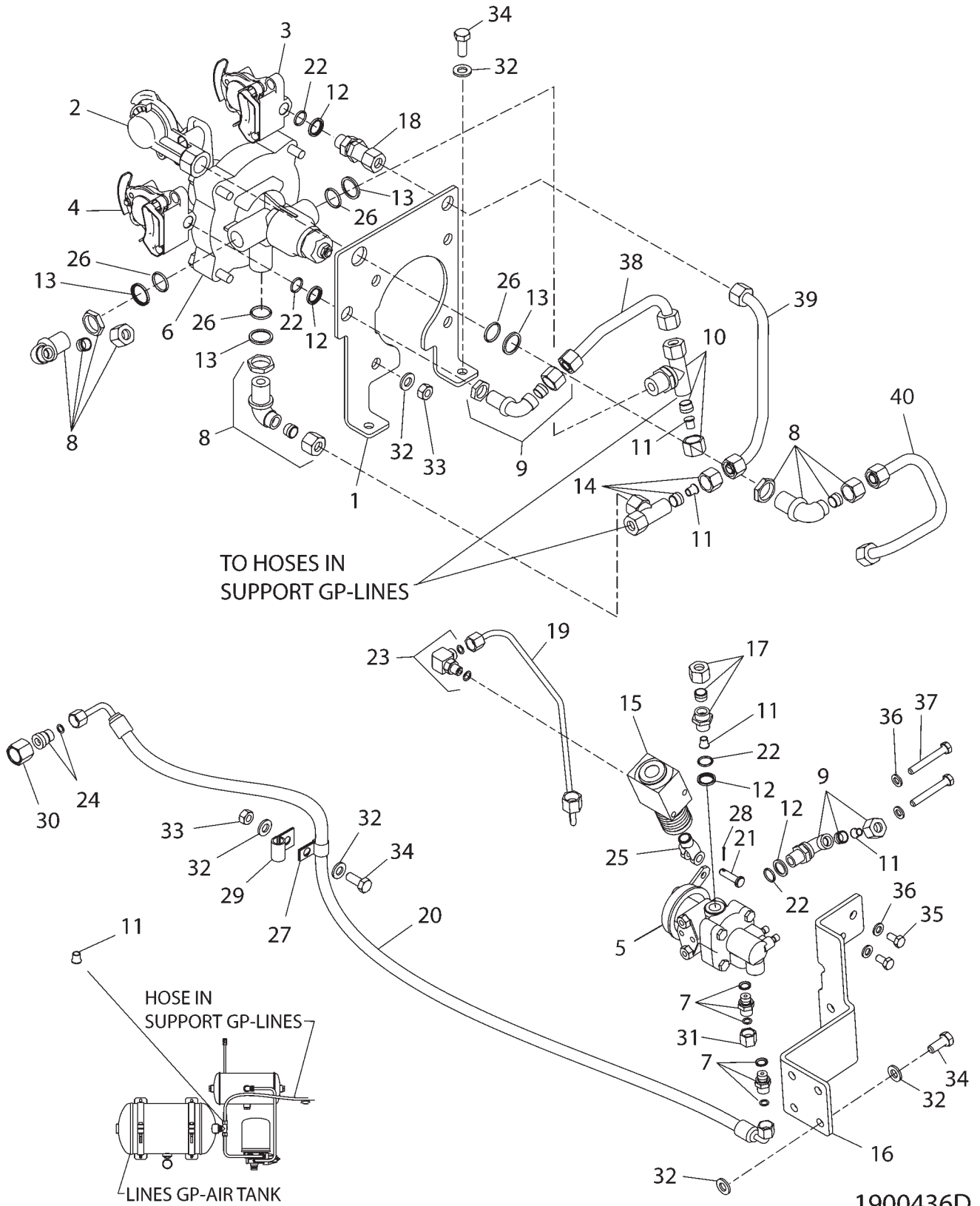
[A] PART OF 185-8860;186-1620;
502357D1 BRAKE AR-AIR

CONTINUED

1900436D
PR: t05b22n43d0308

MT800B SERIES TRACTORS
BRAKING SYSTEM

LINES GP-CONTROL - 190-0436
AIR TRAILER BRAKE (WITHOUT HITCH)
(EAME ONLY)



**MT800B SERIES TRACTORS
BRAKING SYSTEM**

731

**LINES GP-CONTROL - 190-0436
AIR TRAILER BRAKE (WITHOUT HITCH)
(EAME ONLY)**

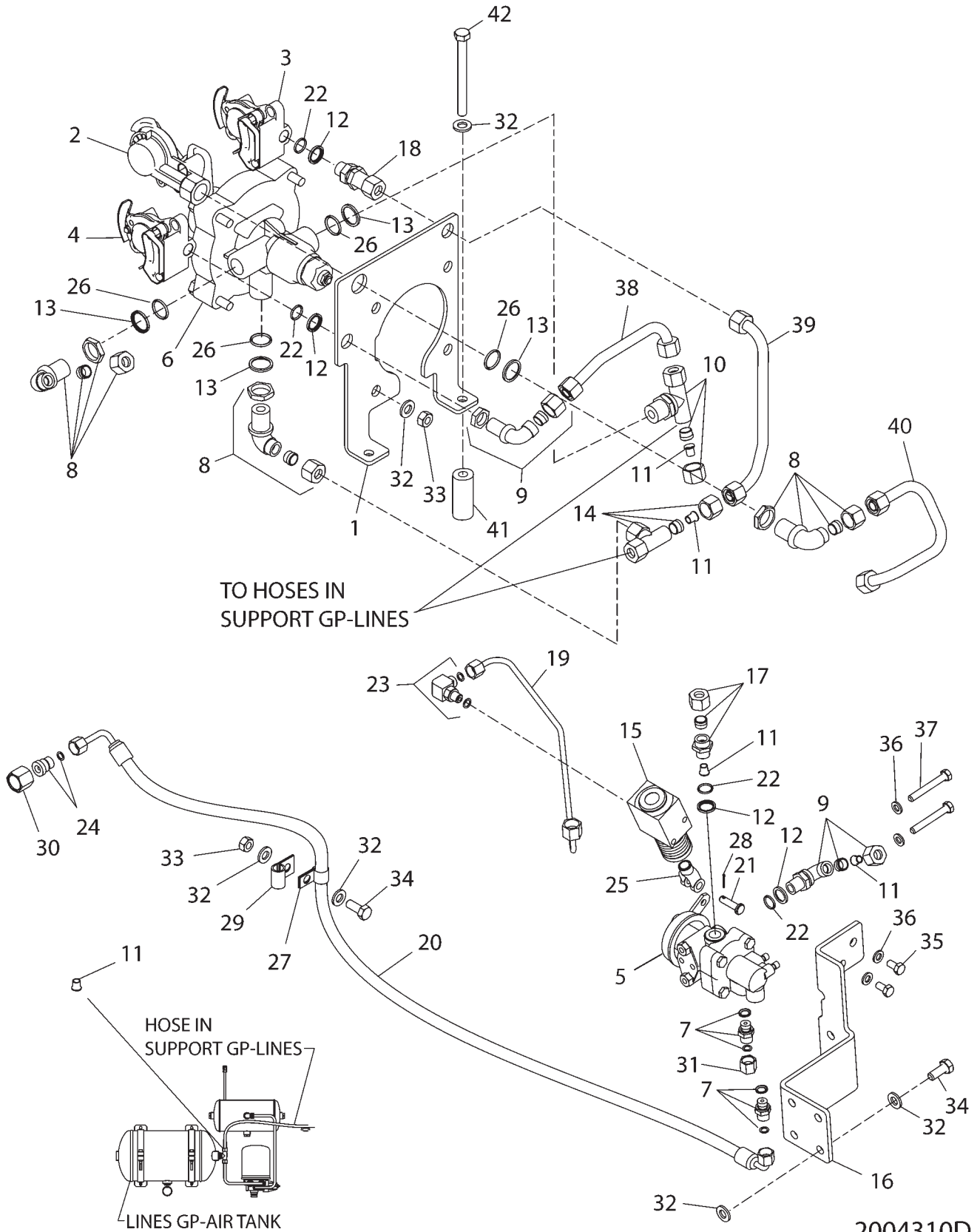
| ITEM | NUMBER | QTY | DESCRIPTION |
|------|------------|-----|----------------------------------|
| - | 190-0436 | - | LINES GP-CONTROL (NOT SERVICED) |
| 24 | CH148-8419 | 1 | REDUCER AS (40RFSX80RFS) |
| | 400377X1 | 1 | SEAL-O-RING (11.23OD X 1.78DIA) |
| | CH6V-8935 | 1 | REDUCER-O-RING |
| 25 | 400117X1 | 1 | END-YOKE ROD |
| 26 | CH3E-6762 | 4 | SEAL-O-RING (20.3ID X 2.4DIA) |
| 27 | CH4K-8864 | 1 | CLIP-LOOP (14.29ID) |
| 28 | CH5B-9192 | 1 | PIN-COTTER (1.59DIA X 15.88 BRS) |
| 29 | 400621X1 | 1 | CLIP (12.7ID X 3/8) |
| 30 | 6V-8554 | 1 | NUT (12.7 ORFS) |
| 31 | CH6V-9828 | 1 | CAP AS |
| 32 | 400287X1 | 12 | WASHER-HARD (11X21X2.5) |
| 33 | 7774664 | 5 | NUT (M10X1.5) |
| 34 | 400039X1 | 7 | BOLT (M10X1.5X25MM) |
| 35 | 400227X1 | 2 | BOLT (M8X1.25X16MM) |
| 36 | 400339X1 | 4 | WASHER-HARD (8.8X16X2) |
| 37 | 400242X1 | 2 | BOLT (M8X1.25X60MM) |
| 38 | 183-4241 | 1 | TUBE AS |
| 39 | 187-9020 | 1 | TUBE AS |
| 40 | 190-0429 | 1 | TUBE AS |

[A] PART OF 185-8860;186-1620;
502357D1 BRAKE AR-AIR

1900436D
PR: t05b22n43d0308

**MT800B SERIES TRACTORS
BRAKING SYSTEM**

**LINES GP-CONTROL - 200-4310
AIR TRAILER BRAKE (WITH HITCH)
EAME ONLY**



**MT800B SERIES TRACTORS
BRAKING SYSTEM**

733

**LINES GP-CONTROL - 200-4310
AIR TRAILER BRAKE (WITH HITCH)
EAME ONLY**

| ITEM | NUMBER | QTY | DESCRIPTION |
|------|------------|-----|--|
| - | 200-4310 | - | LINES GP-AIR TRAILER BRAKE [A] (SERVICED BY COMPONENTS) |
| 1 | 162-9766 | 1 | BRACKET |
| 2 | CH171-1105 | 1 | CONNECTOR AS (QUICK) |
| 3 | CH171-1106 | 1 | CONNECTOR AS (QUICK) |
| 4 | CH171-1107 | 1 | CONNECTOR AS (QUICK) |
| 5 | 180-1667 | 1 | VALVE-CONTROL |
| 6 | 180-2519 | 1 | VALVE-CONTROL |
| 7 | CH183-4236 | 2 | ADAPTER AS (4ORFSXM12) |
| | 400377X1 | 1 | SEAL-O-RING (11.23OD X 1.78DIA) |
| | CH8C-5200 | 1 | SEAL (14.4ODX9.81IDX1.5THK) |
| 8 | CH185-9753 | 3 | ELBOW AS-90DEG (M18XM22) |
| 9 | CH185-9759 | 2 | ELBOW AS-90DEG (M16XM18) |
| | CH187-6297 | 1 | FERRULE |
| | 400352X1 | 1 | NUT-TUBE (M18X1.5) |
| | 187-9012 | 1 | LOCKNUT |
| 10 | CH185-9762 | 1 | TEE AS (M18XM22XM18) |
| | CH187-6297 | 2 | FERRULE |
| | 400352X1 | 2 | NUT-TUBE (M18X1.5) |
| | CH187-6486 | 1 | LOCKNUT |
| 11 | CH185-9768 | 5 | INSERT |
| 12 | CH185-9772 | 4 | RING-BACKUP |
| 13 | CH185-9773 | 4 | RING-BACKUP |
| 14 | CH190-0430 | 1 | TEE AS (M18X3) |
| | CH3E-4297 | 1 | SEAL-O-RING (10IDX1.5DIA) |
| | CH187-6297 | 2 | FERRULE (12OD TUBE) |
| | 400352X1 | 2 | NUT-TUBE (M18X1.5) |
| 15 | 192-6366 | 1 | ACTUATOR AS |
| 16 | 192-6392 | 1 | BRACKET AS |
| 17 | CH200-4349 | 1 | ADAPTER (M18XM16) |
| | CH187-6297 | 1 | FERRULE (12OD TUBE) |
| | 400352X1 | 1 | NUT-TUBE (M18X1.5) |
| 18 | CH200-4359 | 1 | COUPLING |
| 19 | 200-4374 | 1 | TUBE AS |
| 20 | CH200-4379 | 1 | HOSE AS |
| 21 | CH095-1316 | 1 | PIN-CLEVIS |
| 22 | CH122-9250 | 4 | SEAL-O-RING |
| 23 | 400650X1 | 1 | ELBOW AS-90DEG-4STORX4ORFS |
| | 400361X1 | 1 | SEAL-O-RING (8.92ID X 1.83DIA) |
| | 400377X1 | 1 | SEAL-O-RING (11.23OD X 1.78DIA) |

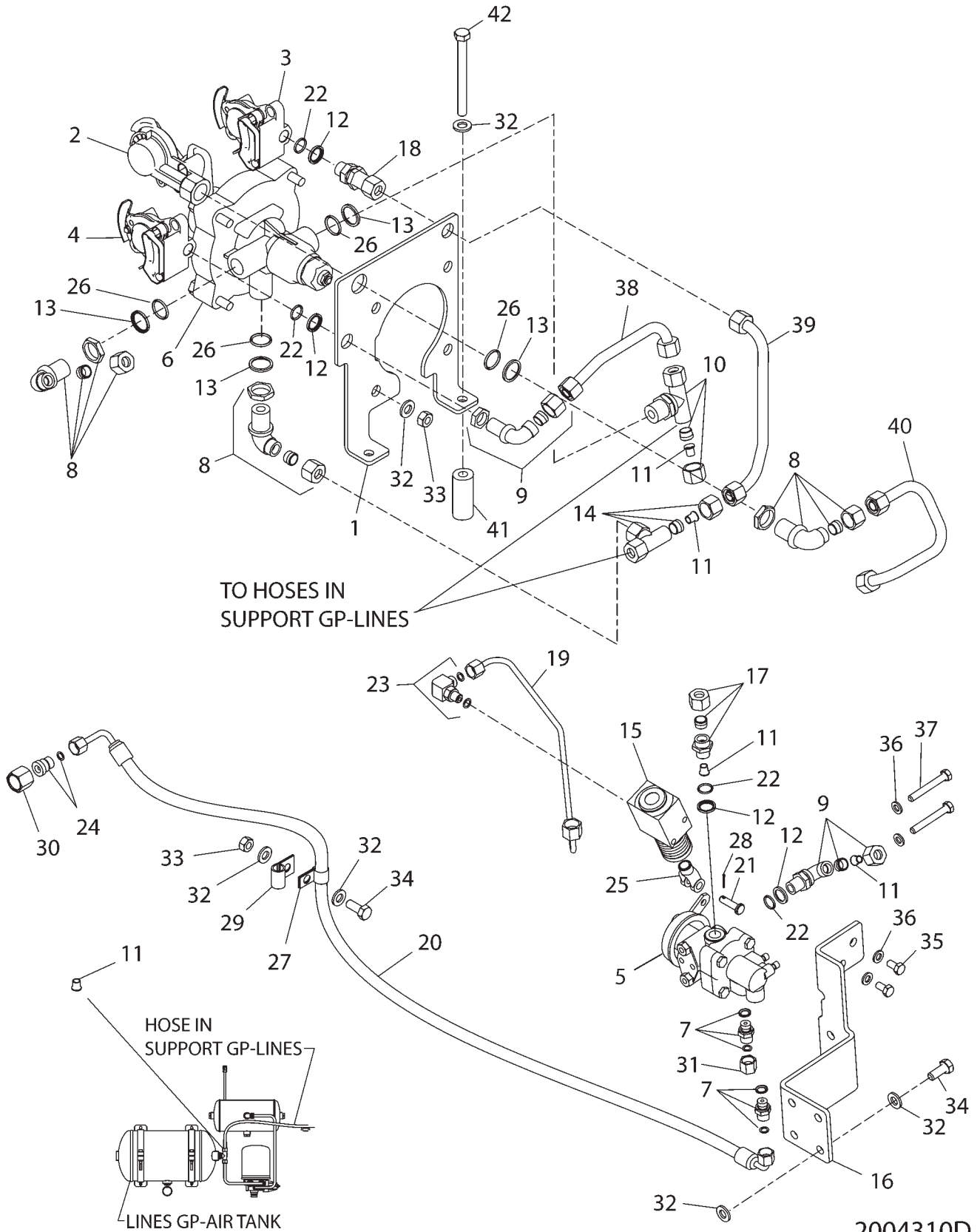
[A] PART OF 192-6390;192-6400;
502358D1 BRAKE AR-AIR

CONTINUED

2004310D
PR: t05b22n43d0309

MT800B SERIES TRACTORS
BRAKING SYSTEM

LINES GP-CONTROL - 210-4310
AIR TRAILER BRAKE (WITH HITCH)
EAME ONLY



**MT800B SERIES TRACTORS
BRAKING SYSTEM**

735

**LINES GP-CONTROL - 210-4310
AIR TRAILER BRAKE (WITH HITCH)
EAME ONLY**

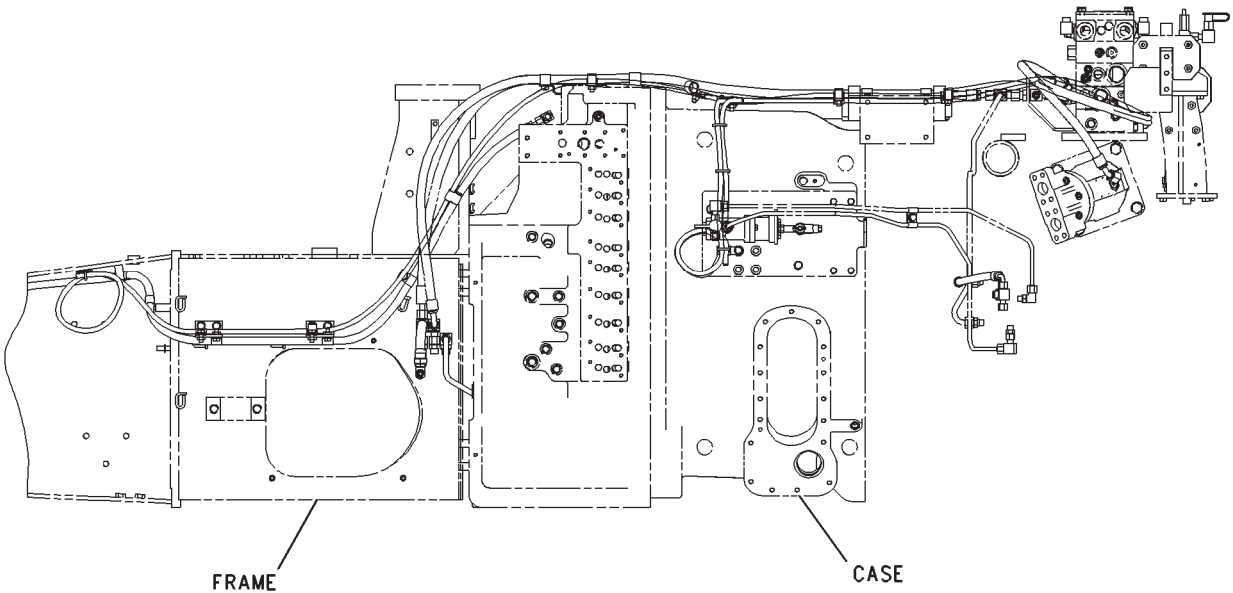
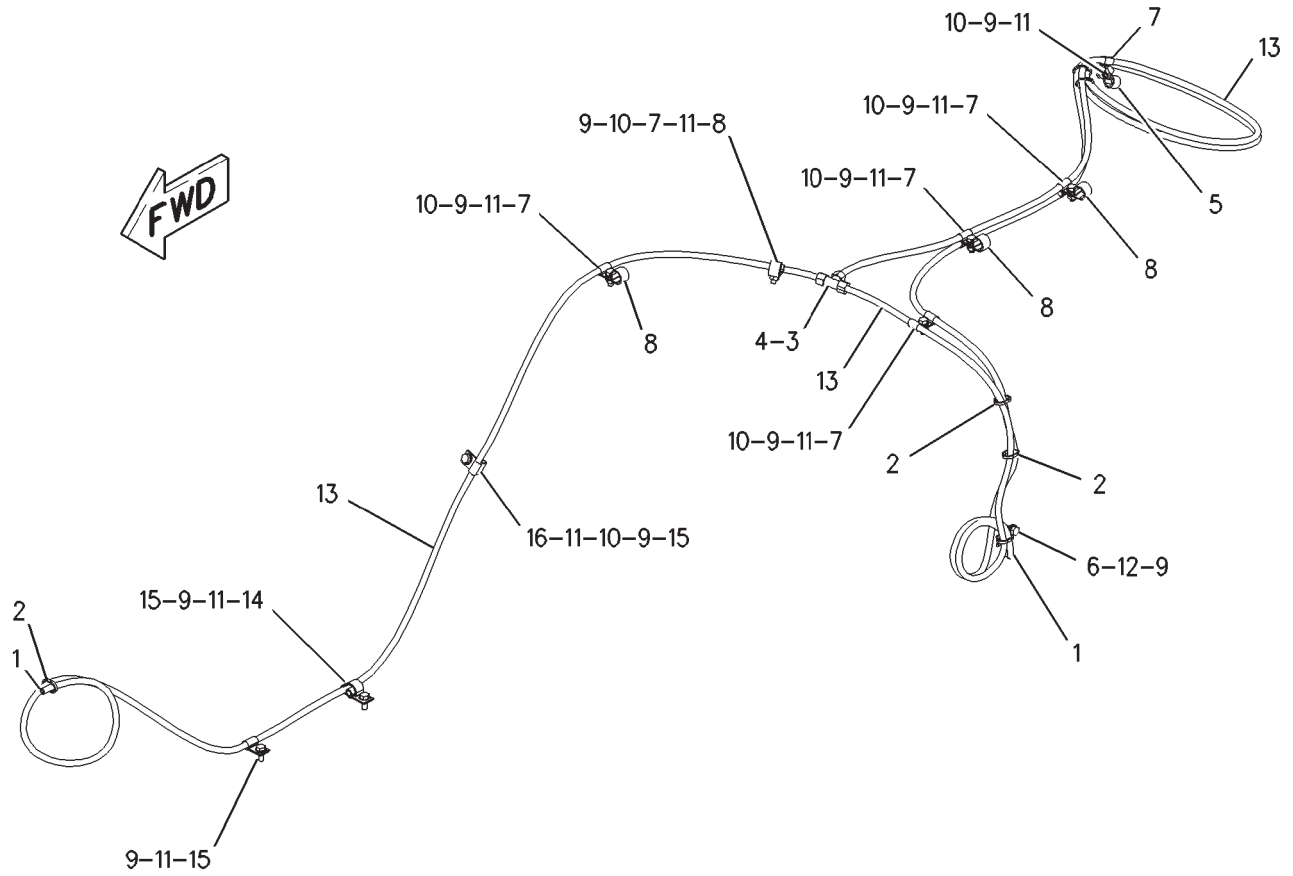
| ITEM | NUMBER | QTY | DESCRIPTION |
|------|------------|-----|--|
| - | 200-4310 | - | LINES GP-AIR TRAILER BRAKE [A] (SERVICED BY COMPONENTS) |
| 24 | CH148-8419 | 1 | REDUCER AS (40RFSX80RFS) |
| | 400377X1 | 1 | SEAL-O-RING (11.23OD X 1.78DIA) |
| | CH6V-8935 | 1 | REDUCER-O-RING |
| 25 | 400117X1 | 1 | END-YOKE ROD |
| 26 | CH3E-6762 | 4 | SEAL-O-RING (20.3IDX2.4DIA) |
| 27 | CH4K-8864 | 1 | CLIP-LOOP (14.29ID) |
| 28 | CH5B-9192 | 1 | PIN-COTTER (1.59DIA X 15.88 BRS) |
| 29 | 400621X1 | 3 | CLIP (12.7ID X 3/8) |
| 30 | CH6V-8554 | 1 | NUT (12.7 ORFS) |
| 31 | CH6V-9828 | 1 | CAP AS |
| 31 | 105-5211 | 1 | PLUG (OLDER MODELS) (INCLS SEAL) |
| | CH6V-9028 | 1 | SEAL-O-RING |
| 32 | 400287X1 | 14 | WASHER-HARD (11X21X2.5) |
| 33 | 7774664 | 6 | NUT (M10X1.5) |
| 34 | 400039X1 | 6 | BOLT (M10X1.5X25MM) |
| 35 | 400227X1 | 2 | BOLT (M8X1.25X16MM) |
| 36 | 400339X1 | 4 | WASHER-HARD (8.8X16X2) |
| 37 | 400242X1 | 2 | BOLT (M8X1.25X60MM) |
| 38 | 183-4241 | 1 | TUBE AS |
| 39 | 187-9020 | 1 | TUBE AS |
| 40 | 190-0429 | 1 | TUBE AS |
| 41 | CH198-1963 | 2 | SPACER |
| 42 | 400240X1 | 2 | BOLT (M10X1.5X110) |

[A] PART OF 192-6390;192-6400;
502358D1 BRAKE AR-AIR

2004310D
PR: t05b22n43d0309

MT800B SERIES TRACTORS BRAKING SYSTEM

SUPPORT GP-LINES - 200-4320
EAME ONLY



LEFT SIDE VIEW

**MT800B SERIES TRACTORS
BRAKING SYSTEM**

737

**SUPPORT GP-LINES - 200-4320
EAME ONLY**

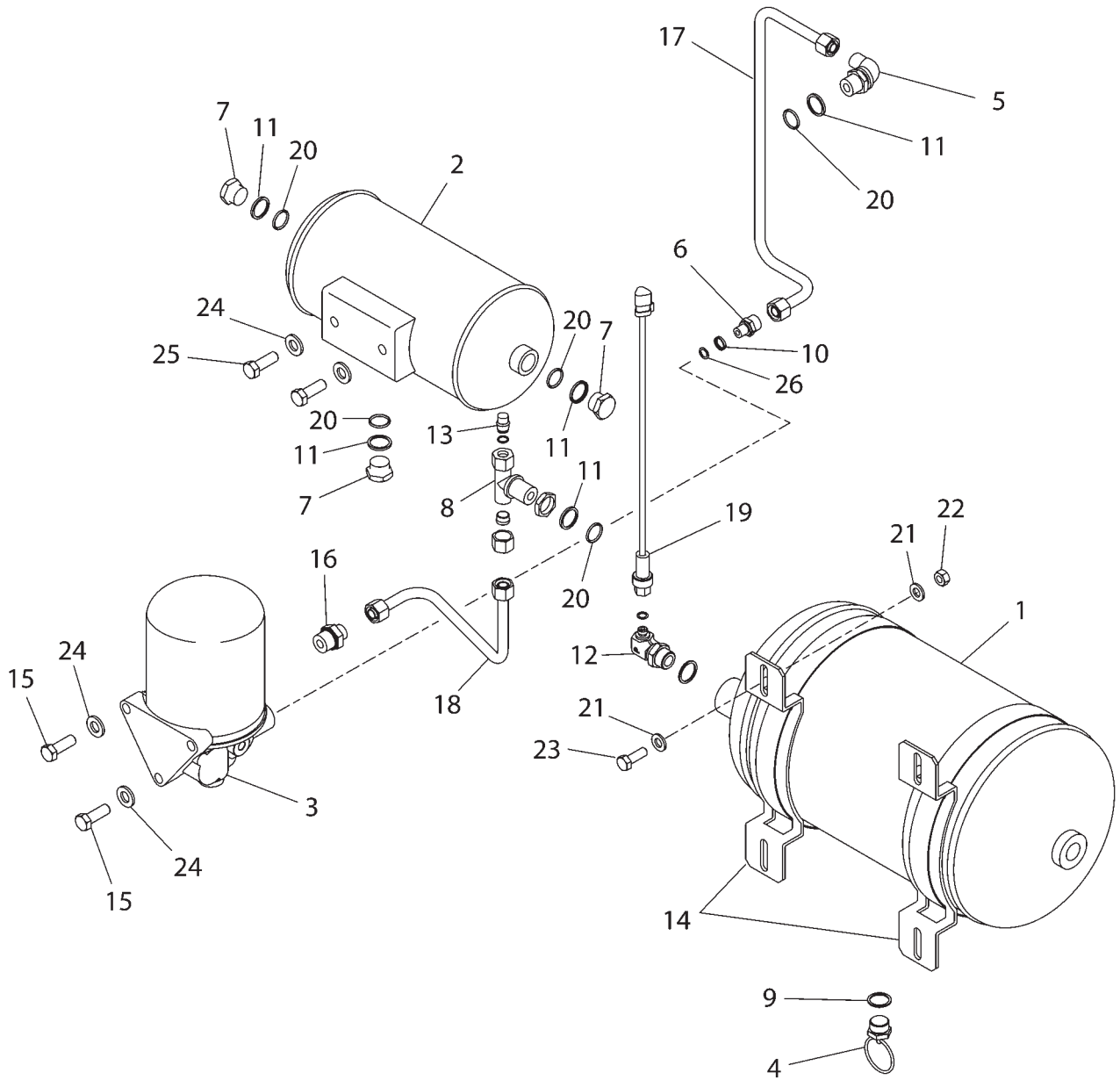
| ITEM | NUMBER | QTY | DESCRIPTION |
|------|------------|-----|-------------------------------------|
| - | 200-4320 | - | SUPPORT GP-LINES [A] (NOT SERVICED) |
| 1 | 4H-0408 | 5 | PLUG-PROTECTION (10MM) |
| 2 | CH7K-1181 | 6 | STRAP-CABLE |
| 3 | 192-6398 | 1 | FITTING AS |
| 4 | CH185-9768 | 3 | INSERT |
| 5 | CH1S-0994 | 1 | CLIP |
| 6 | CH4P-7581 | 1 | CLIP |
| 7 | 400621X1 | 10 | CLIP |
| 8 | 400688X1 | 4 | CLIP |
| 9 | 400287X1 | 17 | WASHER-HARD (11X21X2.5MMTHK) |
| 10 | 7774664 | 7 | NUT (M10X1.5 THD) |
| 11 | 400039X1 | 9 | BOLT (M10X1.5X25MM) |
| 12 | 400040X1 | 1 | BOLT (M10X1.5X20MM) |
| 13 | 200-4321 | AR | TUBE-PLASTIC (938CM) |
| 14 | 200-4339 | 1 | CLIP |
| 15 | 124-1479 | 3 | CLIP |
| 16 | CH3S-8664 | 1 | CLIP |

[A] PART OF:
179-2180; 501811D1; 502936D1
BASE COMMON AR

00887780
PR: t05b22n43d0310

MT800B SERIES TRACTORS
BRAKING SYSTEM

TANK & LINES GP-AIR - 190-0435



**MT800B SERIES TRACTORS
BRAKING SYSTEM**

739

TANK & LINES GP-AIR - 190-0435

| ITEM | NUMBER | QTY | DESCRIPTION |
|------|------------|-----|---|
| - | 190-0435 | - | TANK & LINES GP-AIR [A] (NOT SERVICED) |
| 1 | 174-8822 | 1 | TANK-AIR |
| 2 | 177-9555 | 1 | TANK-AIR |
| 3 | 178-7197 | 1 | AIR DRYER GP |
| | 187-3185 | 1 | KIT-CARTRIDGE (DESICCANT) |
| | 187-5245 | 1 | KIT-VALVE (PURGE) |
| | 187-5246 | 1 | KIT-GOVERNOR |
| 4 | 180-5485 | 1 | VALVE-DRAIN |
| 5 | CH185-9753 | 1 | ELBOW AS-90DEG (M18XM22) |
| 6 | 185-9754 | 1 | ADAPTER |
| 7 | 185-9756 | 3 | PLUG |
| 8 | CH185-9762 | 1 | TEE GP (M18XM22XM18) |
| | CH187-6297 | 2 | FERRULE |
| | 400352X1 | 2 | NUT-TUBE (M18X1.5) |
| | CH187-6486 | 1 | LOCKNUT (M22X1.5) |
| 9 | 185-9769 | 1 | WASHER-SEAL (22.2X26.9X1.5) |
| 10 | 185-9771 | 1 | RING-BACKUP |
| 11 | CH185-9773 | 5 | RING-BACKUP |
| 12 | 185-9774 | 1 | ELBOW (INCLS SEALS) |
| | 400361X1 | 1 | SEAL-O-RING (8.92ID X 1.83DIA) |
| | 400366X1 | 1 | SEAL-O-RING (22.5OD X 1.78DIA) |
| 13 | CH190-0431 | 1 | CAP (INCLS SEAL) |
| | CH3E-4297 | 1 | SEAL-O-RING |
| 14 | 190-0446 | 2 | BRACKET |
| 15 | 400011X1 | 3 | BOLT (M12X1.5X35MM) |
| 16 | 196-1969 | 1 | ADAPTER ASM (INCLS SEAL) |
| | CH175-5327 | 1 | SEAL |
| 17 | 196-1970 | 1 | TUBE ASM(INCL. FERRUEL, NUT & TUBE) |
| 18 | 196-1971 | 1 | TUBE ASM (INCL. FERRULE, NUT & TUBE) |
| 19 | CH194-6725 | 1 | SENSOR GP-PRESSURE [B] |
| 20 | CH3E-6762 | 5 | SEAL-O-RING |
| 21 | 400287X1 | 8 | WASHER-HARD (11X21X2.5) |
| 22 | 7774664 | 4 | NUT (M10X1.5) |
| 23 | 400058X1 | 4 | BOLT (M10X1.5X30MM) |
| 24 | 400357X1 | 5 | WASHER-HARD (M12X25.5X3) |
| 25 | 400064X1 | 2 | BOLT (M12X1.75X35MM) |
| 26 | CH9T-4057 | 1 | SEAL-O-RING |

[A] PART OF:

185-8660; 186-1620 BRAKE AR-AIR TR
190-0439; 190-0440 TANK AR-AIR
192-6390; 192-6400 BRAKE AR-AIR
210-5703; 210-5704 TANK AR-AIR
502357D1; 502358D1 BRAKE AR-AIR
502359D1; 502360D1 TANK AR-AIR

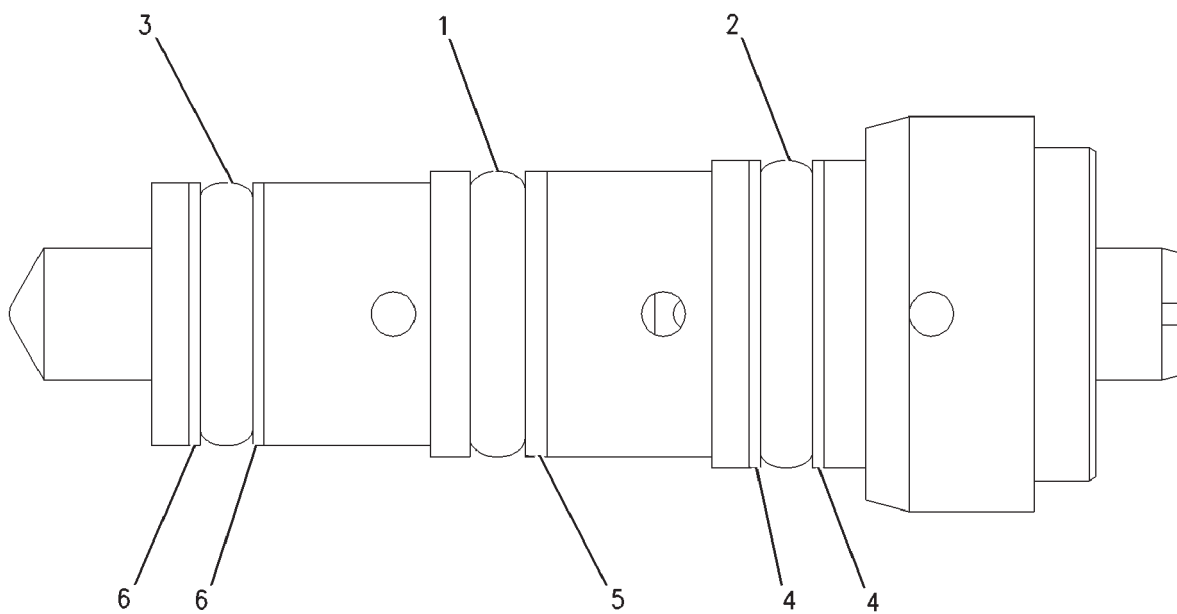
[B] SENSOR ITEM 19:

THIS SENSOR IS USED IN MULTIPLE
APPLICATIONS DO NOT USE SPN
MODIFIER YOU MUST USE APPLICATION
SPECIFIC MODIFIERS IN DBAM I.E.

1900435D
PR: t05b22n43d0311

MT800B SERIES TRACTORS
BRAKING SYSTEM

VALVE GP-ACCUMULATOR CHARGING - 216-6972



MT800B SERIES TRACTORS

741

BRAKING SYSTEM**VALVE GP-ACCUMULATOR CHARGING - 216-6972**

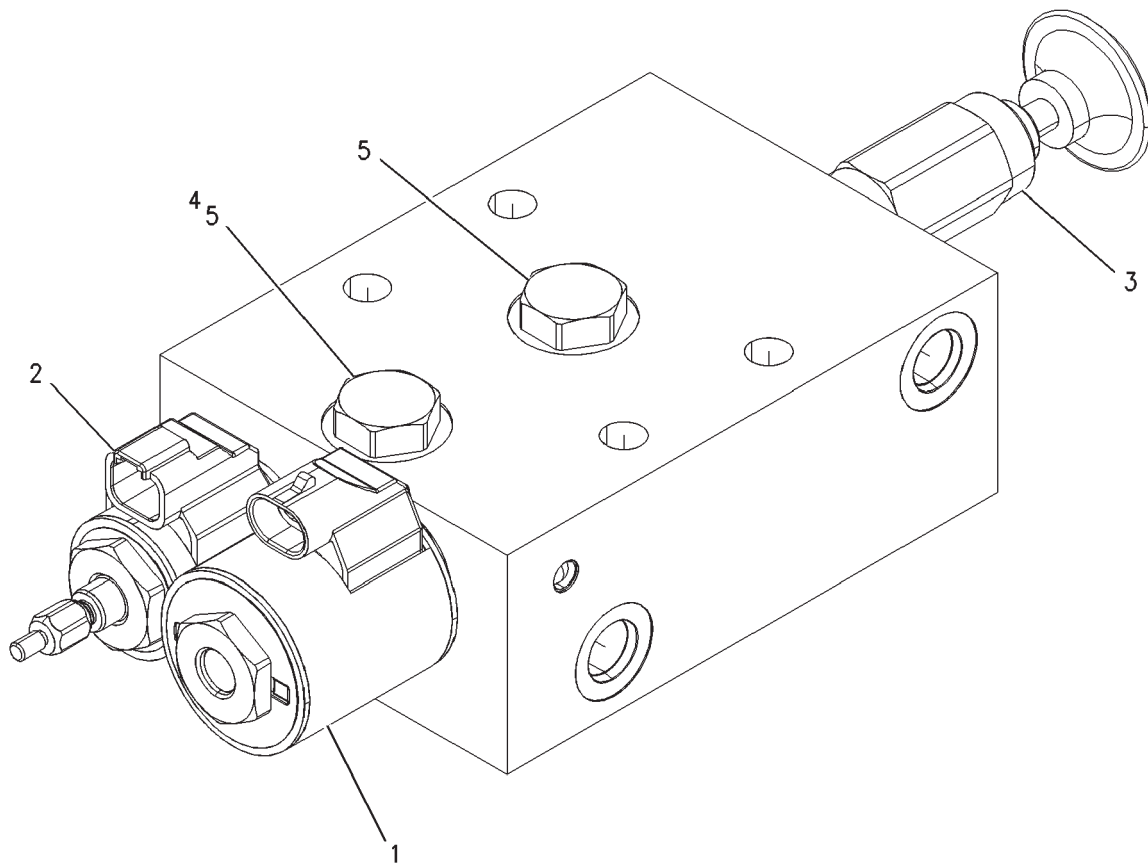
| ITEM | NUMBER | QTY | DESCRIPTION |
|------|------------|-----|-----------------------------------|
| - | 216-6972 | - | VALVE GP-ACCUMULATOR CHARGING [A] |
| 1 | CH5W-9411 | 1 | SEAL-O-RING |
| 2 | CH095-1750 | 1 | SEAL-O-RING |
| 3 | CH161-6154 | 1 | SEAL-O-RING |
| 4 | CH216-7116 | 2 | RING-BACKUP |
| 5 | CH216-7117 | 1 | RING-BACKUP |
| 6 | CH216-7118 | 2 | RING-BACKUP |

[A] PART OF:
192-4707 VALVE GP-CONTROL
209-5019 VALVE GP-CONTROL
209-5021 VALVE GP-CONTROL

00894814
PR: t05b22n43d0315

**MT800B SERIES TRACTORS
BRAKING SYSTEM**

VALVE GP-PARKING BRAKE - 200-4351



**MT800B SERIES TRACTORS
BRAKING SYSTEM**

743

VALVE GP-PARKING BRAKE - 200-4351

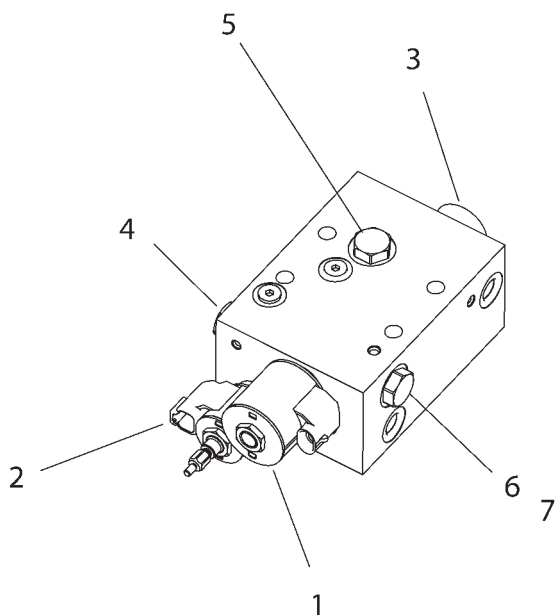
| ITEM | NUMBER | QTY | DESCRIPTION |
|------|------------|-----|----------------------------|
| - | 200-4351 | - | VALVE GP-PARKING BRAKE [A] |
| 1 | 200-4325 | 1 | VALVE ASM-SOLENOID |
| | 120-8514 | 1 | KIT-SEAL |
| 2 | 200-4327 | 1 | VALVE ASM-SOLENOID |
| | CH120-9051 | 1 | KIT-SEAL |
| 3 | 200-4329 | 1 | VALVE ASM |
| | 141-0888 | 1 | KIT-SEAL |
| 4 | 200-4375 | 1 | ORIFICE |
| 5 | 120-9048 | 2 | VALVE-CHECK |

[A] PART OF: 192-6350
CONTROL GP-PARK BRAKE

00871963
PR: t05i29k58b0343

MT800B SERIES TRACTORS
BRAKING SYSTEM

VALVE GP-PARKING BRAKE - 502454D1



502454DA

**MT800B SERIES TRACTORS
BRAKING SYSTEM**

745

VALVE GP-PARKING BRAKE - 502454D1

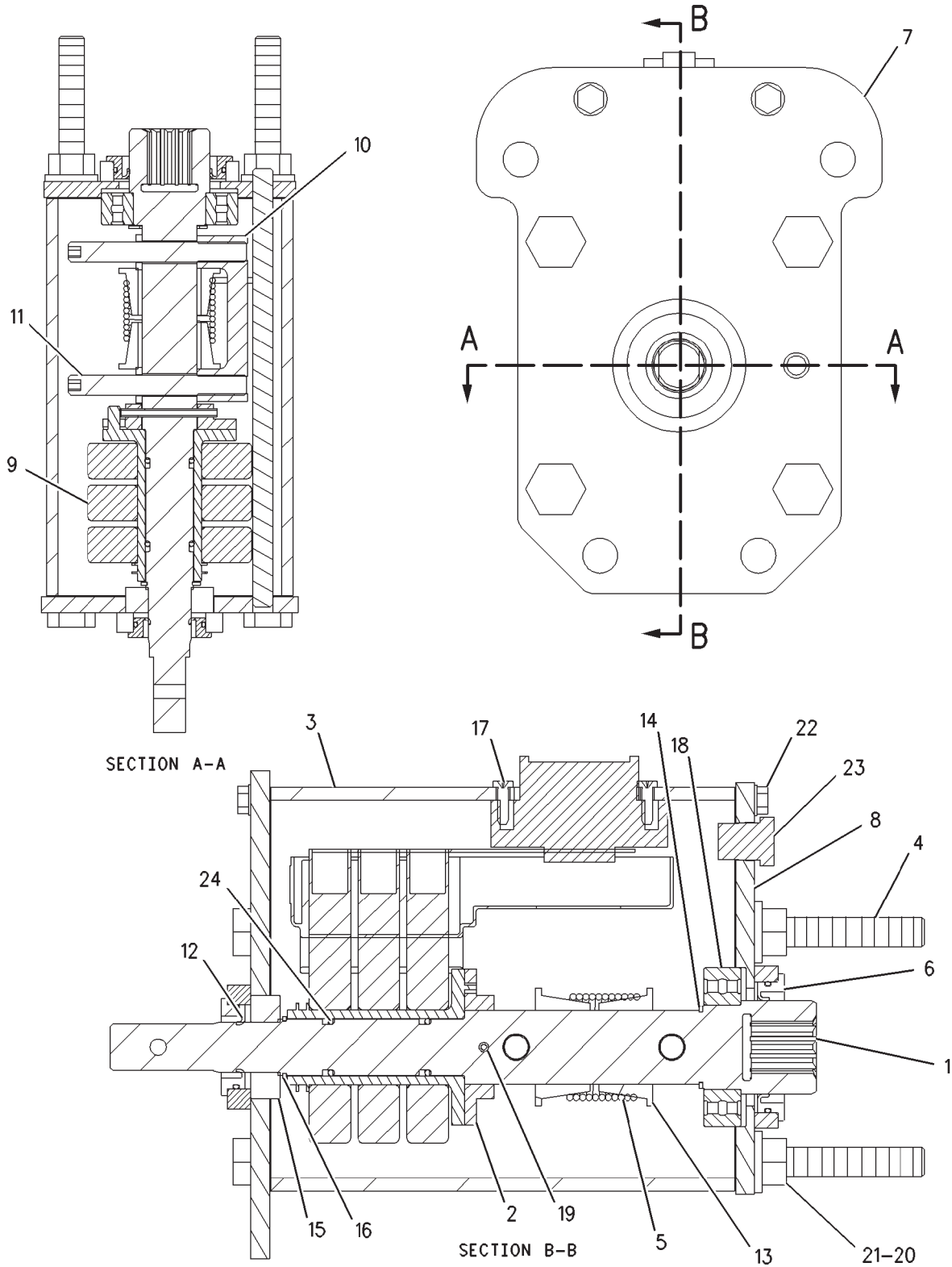
| ITEM | NUMBER | QTY | DESCRIPTION |
|------|------------|-----|----------------------------|
| - | 502454D1 | - | VALVE GP-PARKING BRAKE [A] |
| 1 | 200-4325 | 1 | VALVE ASM-SOLENOID |
| | 120-8514 | 1 | KIT-SEAL |
| 2 | 200-4327 | 1 | VALVE ASM-SOLENOID |
| | 120-9051 | 1 | KIT-SEAL |
| 3 | 502460D1 | 1 | VALVE-MANUAL |
| | 502461D1 | 1 | KIT-SEAL |
| 4 | 502462D1 | 1 | VALVE-CHECK |
| | CH120-9051 | 1 | KIT-SEAL |
| 5 | 502463D1 | 1 | VALVE-CHECK |
| | CH120-9051 | 1 | KIT-SEAL |
| 6 | 502464D1 | 1 | SCREEN AS |
| 7 | 502465D1 | 1 | ORIFICE-END |

[A] PART OF 502456D1
CONTROL GP-PARK BRAKE

502454DA
PR: t05k07n15a0020

MT800B SERIES TRACTORS
DIFFERENTIAL STEERING SYSTEM

CONTROL GP-STEERING - 217-9779
ROW & SPECIAL ONLY



**MT800B SERIES TRACTORS
DIFFERENTIAL STEERING SYSTEM**

747

**CONTROL GP-STEERING - 217-9779
ROW & SPECIAL ONLY**

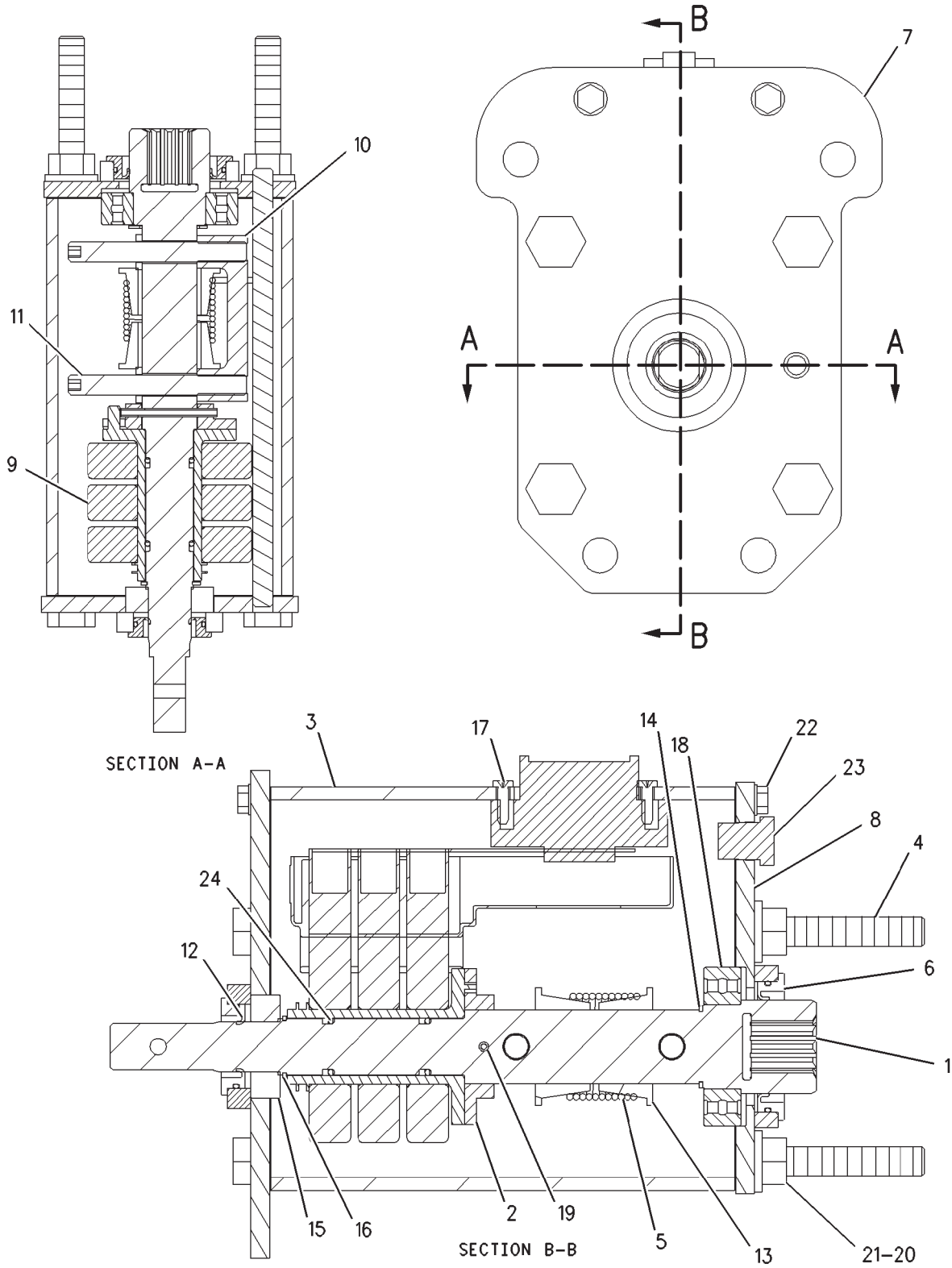
| ITEM | NUMBER | QTY | DESCRIPTION |
|------|------------|-----|-----------------------------------|
| - | 217-9779 | - | CONTROL GP-STEERING [A] |
| 1 | 162-6706 | 1 | SHAFT-STEERING |
| 2 | | 1 | COLLAR (NOT SERVICED) |
| 3 | | 1 | HOUSING (NOT SERVICED) |
| 4 | | 4 | STUD (NOT SERVICED) |
| 5 | 162-6728 | 1 | SPRING |
| 6 | | 1 | SEAL-LIP TYPE (NOT SERVICED) |
| 7 | | 1 | PLATE ASM (NOT SERVICED) |
| 8 | | 1 | PLATE ASM (NOT SERVICED) |
| 9 | | 1 | SENSOR GP-POSITION (NOT SERVICED) |
| 10 | | 1 | STOP (NOT SERVICED) |
| 11 | | 2 | STUD (NOT SERVICED) |
| 12 | | 1 | SEAL-LIP TYPE (NOT SERVICED) |
| 13 | | 2 | BUSHING (NOT SERVICED) |
| 14 | CH001-5600 | 1 | RING-SNAP |
| 15 | | 1 | BALL BEARING (NOT SERVICED) |
| 16 | | 1 | RING-RETAINING (NOT SERVICED) |
| 17 | 400835X1 | 2 | SCREW-PAN HEAD (6-19X0.5 IN) |
| 18 | | 1 | BEARING (NOT SERVICED) |
| 19 | CH3K-8282 | 1 | PIN-SPRING |
| 20 | 400287X1 | 4 | WASHER-HARD (11X21X2.5) |
| 21 | 7774664 | 4 | NUT (M10X1.5) |
| 22 | CH8T-4180 | 4 | SCREW-MACHINE (M5X0.8X20MM) |
| 23 | CH8T-6765 | 1 | PLUG-PIPE |
| 24 | CH8T-7524 | 2 | SEAL-O-RING |

[A] PART OF 152-0420 WIRING GP-CAB

00882993
PR: t05b22n43d0317

MT800B SERIES TRACTORS
DIFFERENTIAL STEERING SYSTEM

CONTROL GP-STEERING - 217-9780
EAME ONLY



**MT800B SERIES TRACTORS
DIFFERENTIAL STEERING SYSTEM**

749

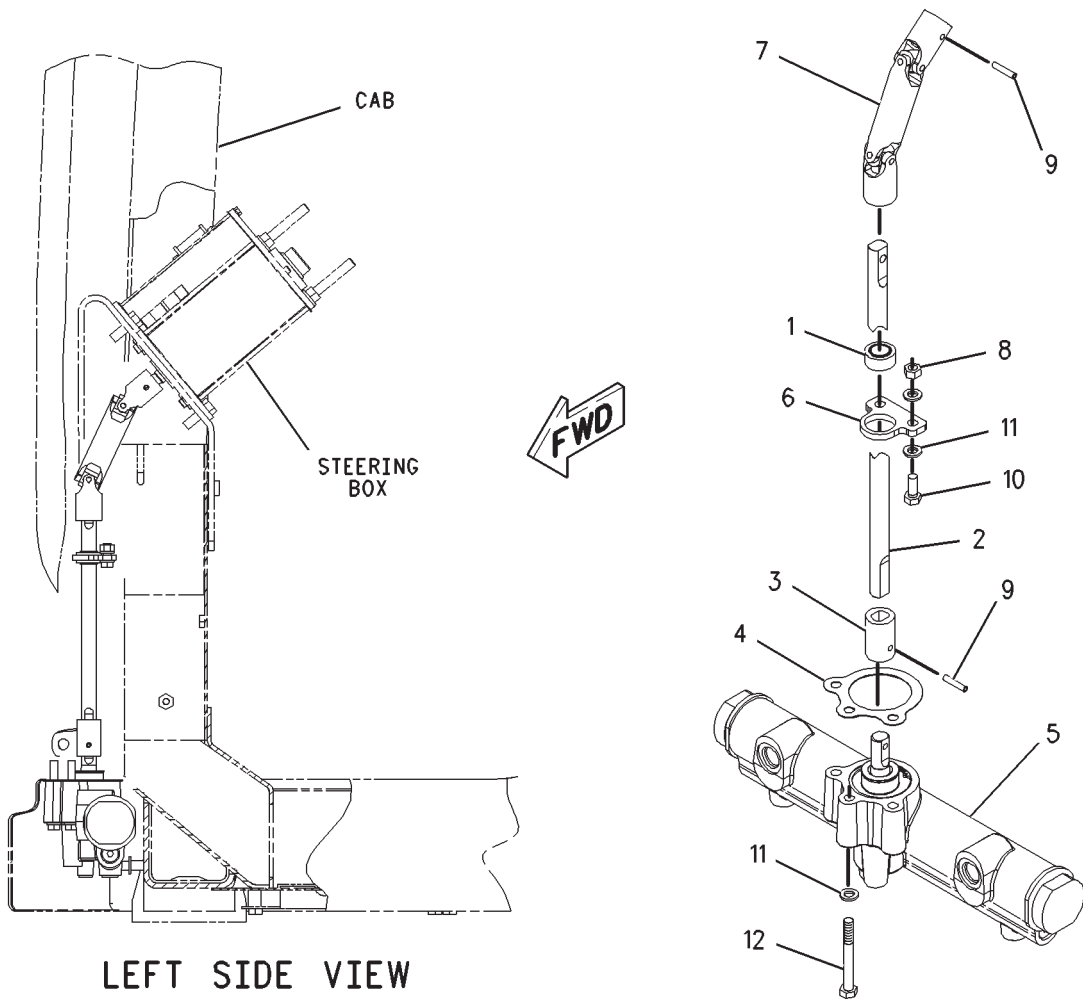
**CONTROL GP-STEERING - 217-9780
EAME ONLY**

| ITEM | NUMBER | QTY | DESCRIPTION |
|------|------------|-----|-----------------------------------|
| - | 217-9780 | - | CONTROL GP-STEERING [A] |
| 1 | 162-6706 | 1 | SHAFT-STEERING |
| 2 | | 1 | COLLAR (NOT SERVICED) |
| 3 | | 1 | HOUSING (NOT SERVICED) |
| 4 | | 4 | STUD (NOT SERVICED) |
| 5 | CH203-8550 | 1 | SPRING |
| 6 | | 1 | SEAL-LIP TYPE (NOT SERVICED) |
| 7 | | 1 | PLATE ASM (NOT SERVICED) |
| 8 | | 1 | PLATE ASM (NOT SERVICED) |
| 9 | | 1 | SENSOR GP-POSITION (NOT SERVICED) |
| 10 | | 1 | STOP (NOT SERVICED) |
| 11 | | 2 | STUD (NOT SERVICED) |
| 12 | | 1 | SEAL-LIP TYPE (NOT SERVICED) |
| 13 | | 2 | BUSHING (NOT SERVICED) |
| 14 | CH001-5600 | 1 | RING-SNAP |
| 15 | | 1 | BALL BEARING (NOT SERVICED) |
| 16 | | 1 | RING-RETAINING (NOT SERVICED) |
| 17 | 400835X1 | 2 | SCREW-PAN HEAD (6-19X0.5 IN) |
| 18 | | 1 | BEARING (NOT SERVICED) |
| 19 | CH3K-8282 | 1 | PIN-SPRING |
| 20 | 400287X1 | 4 | WASHER-HARD (11X21X2.5) |
| 21 | 7774664 | 4 | NUT (M10X1.5) |
| 22 | CH8T-4180 | 4 | SCREW-MACHINE (M5X0.8X20MM) |
| 23 | CH8T-6765 | 1 | PLUG-PIPE |
| 24 | CH8T-7524 | 2 | SEAL-O-RING |

[A] PART OF 152-0420 WIRING GP-CAB

00882993
PR: t05k07n15a0021

CONTROL GP-SECONDARY STEERING - 166-4623
EAME ONLY



MT800B SERIES TRACTORS
DIFFERENTIAL STEERING SYSTEM

751

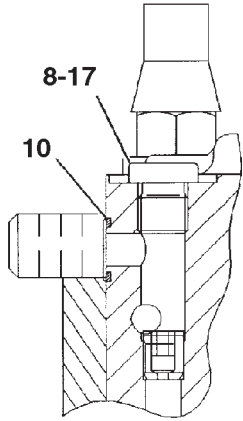
CONTROL GP-SECONDARY STEERING - 166-4623
EAME ONLY

| ITEM | NUMBER | QTY | DESCRIPTION |
|------|-----------|-----|---|
| - | 166-4623 | - | CONTROL GP-SECONDARY STEERING [A] (NOT SERVICED) |
| 1 | CH4D-2619 | 1 | BEARING |
| 2 | 197-2997 | 1 | SHAFT |
| 3 | 197-2998 | 1 | COLLAR |
| 4 | 197-2999 | 1 | GASKET |
| 5 | 197-3000 | 1 | CONTROL GP-SECONDARY STEERING |
| 6 | 201-8438 | 1 | MOUNT |
| 7 | 197-2996 | 1 | JOINT AS |
| 8 | 400340X1 | 2 | NUT (M8X1.25 THD) |
| 9 | CH8T-0255 | 2 | PIN-SPRING |
| 10 | 400053X1 | 2 | BOLT (M8X1.25X20MM) |
| 11 | 400339X1 | 7 | WASHER-HARD (8.8X16X2MM THK) |
| 12 | 400068X1 | 3 | BOLT (M8X1.25X70MM) |

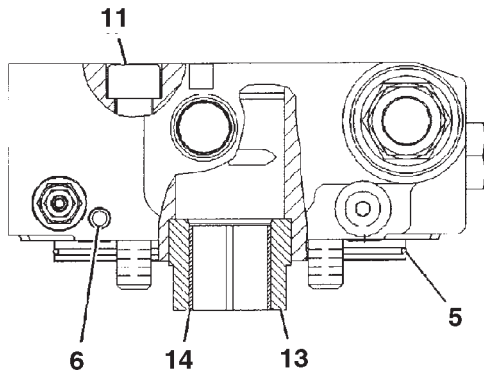
[A] PART OF: 179-2180; 501811D1;
502669D1; 502936D1 BASE COMMON AR

00811388
PR: t05b22n43d0318

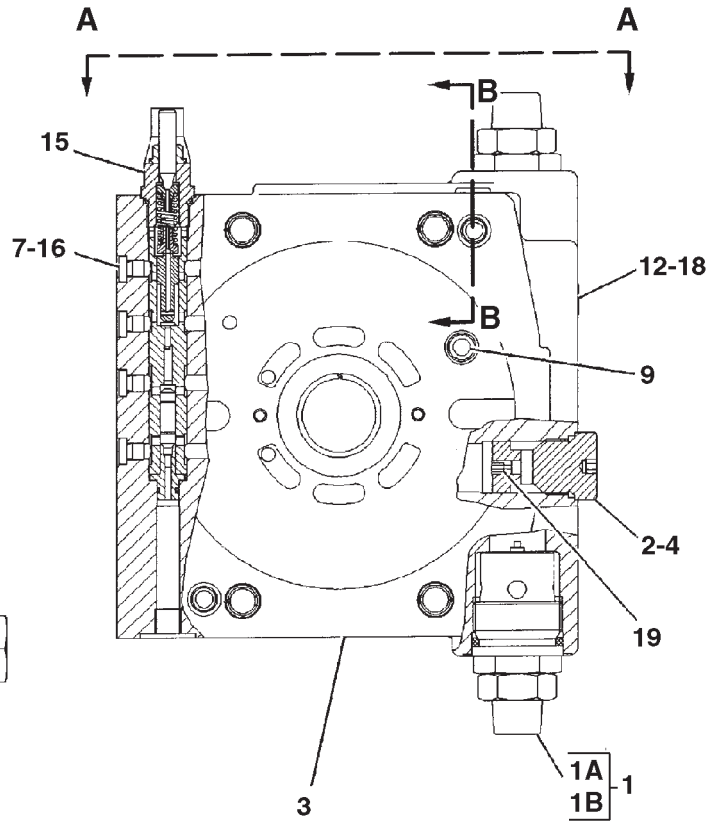
HEAD GP-PUMP - 205-6398



SECTION B-B



VIEW A-A



**MT800B SERIES TRACTORS
DIFFERENTIAL STEERING SYSTEM**

753

HEAD GP-PUMP - 205-6398

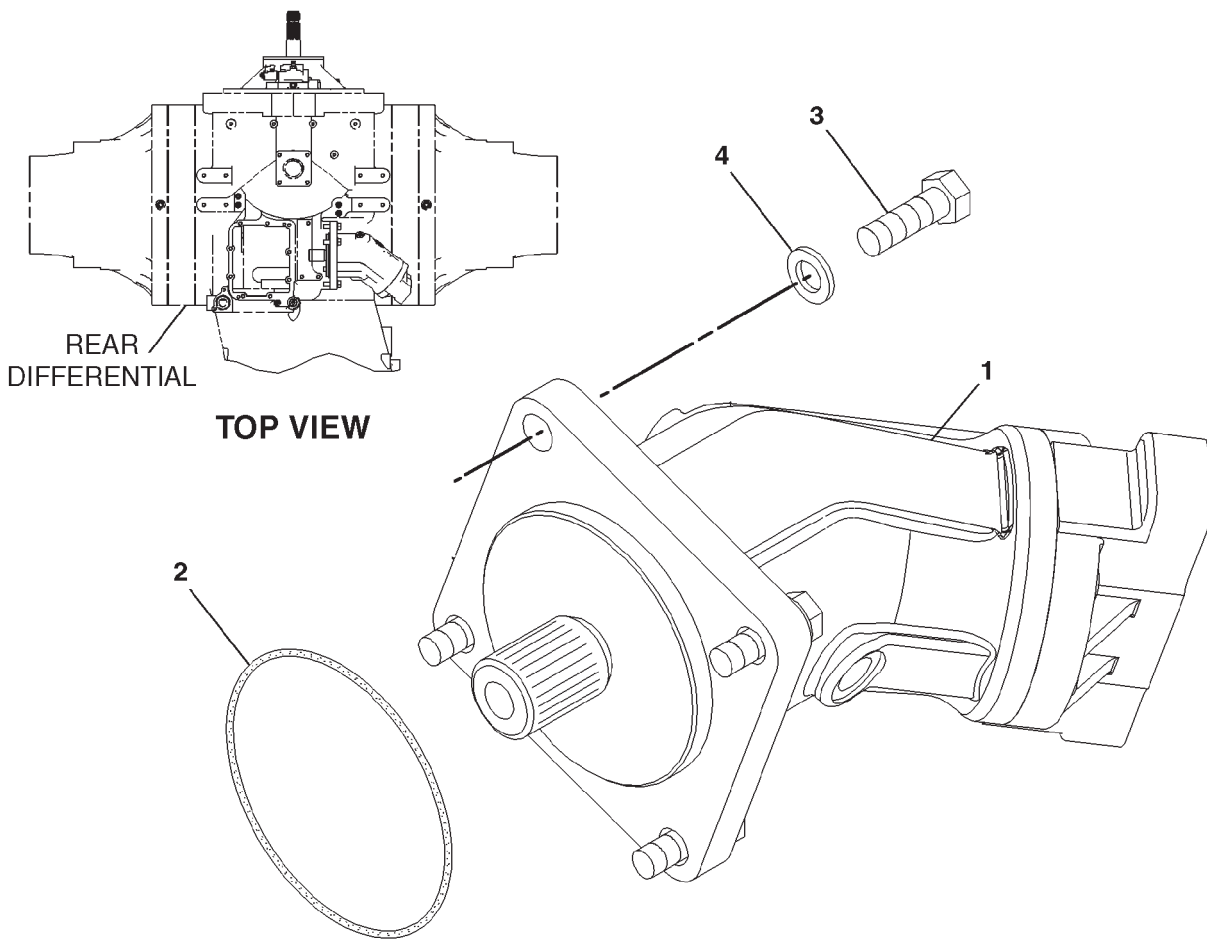
| ITEM | NUMBER | QTY | DESCRIPTION |
|------|------------|-----|---|
| - | 205-6398 | - | HEAD GP-PUMP [A] |
| 1 | CH178-4164 | 2 | VALVE GP-RELIEF |
| 1A | CH178-4171 | 1 | SEAL KIT |
| 1B | CH123-7556 | 1 | CAP |
| 2 | CH144-9103 | 1 | PLUG |
| 3 | CH205-6397 | 1 | HEAD |
| 4 | CH6V-5326 | 1 | SEAL-O-RING |
| 5 | CH119-7845 | 1 | SEAL-O-RING |
| 6 | CH123-2017 | 1 | PLUG |
| 7 | CH134-7489 | 4 | PLUG (M8X1) |
| 8 | CH135-8854 | 1 | PLUG |
| 9 | CH144-9101 | 1 | PLUG-BREAK OFF |
| 10 | CH161-6149 | 2 | SEAL-O-RING |
| 11 | CH3E-8008 | 4 | BOLT-SOCKET HEAD (M16X2X90MM) |
| 12 | 400361X1 | 2 | SEAL-O-RING |
| 13 | CH6E-4382 | 1 | BUSHING |
| 14 | CH6E-4383 | 1 | BUSHING |
| 15 | CH6E-4392 | 1 | VALVE GP-PRESSURE COMPENSATOR (SEE BREAKDOWN FOR COMPONENTS) |
| 16 | CH6V-5586 | 4 | SEAL-O-RING |
| 17 | CH6V-9028 | 1 | SEAL-O-RING |
| 18 | CH9S-8002 | 2 | PLUG |
| 19 | CH123-7583 | 1 | ORIFICE (1.8MM) |

[A] PART OF CH162-9592 PUMP GP-PISTON

0853334A
PR: t05b22n43d0320

**MT800B SERIES TRACTORS
DIFFERENTIAL STEERING SYSTEM**

**MOTOR & MTG GP-STEERING - 158-2404
ROW & SPECIAL ONLY**



MT800B SERIES TRACTORS
DIFFERENTIAL STEERING SYSTEM

755

MOTOR & MTG GP-STEERING - 158-2404
ROW & SPECIAL ONLY

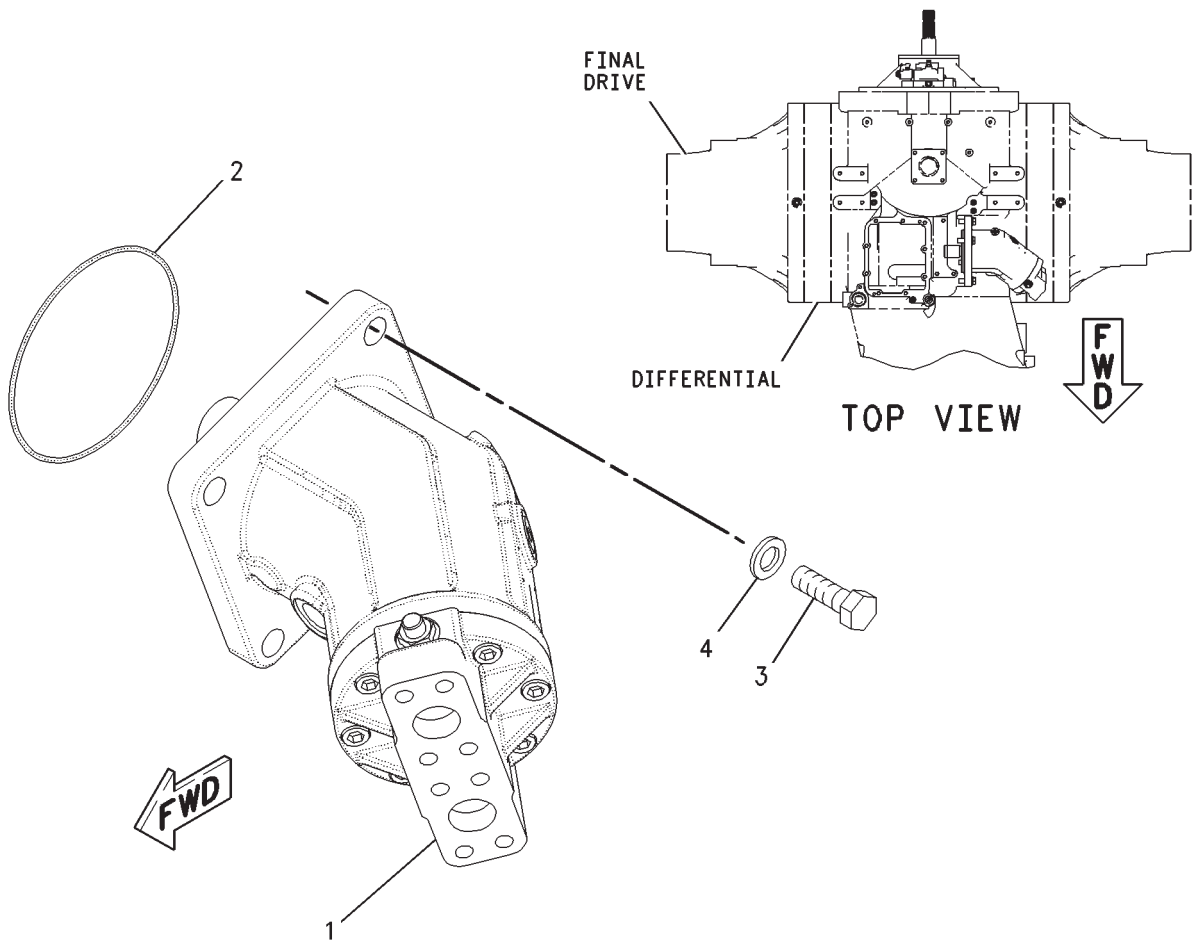
| ITEM | NUMBER | QTY | DESCRIPTION |
|------|------------|-----|--|
| - | 158-2404 | - | MOTOR & MTG GP STEERING [A] (NOT SERVICED) |
| 1 | CH162-9601 | 1 | MOTOR GP-PISTON (STEERING) (SEE BREAKDOWN FOR COMPONENTS) |
| 2 | CH8F-8733 | 1 | SEAL-O-RING |
| 3 | 400056X1 | 4 | BOLT (M16X2X50MM) |
| 4 | 400082X1 | 4 | WASHER (17.5X30X3.5) |

[A] PART OF 177-9948; 183-2198
GAUGE AR-TRACK

0901627A
PR: t05b22n43d0321

MT800B SERIES TRACTORS
DIFFERENTIAL STEERING SYSTEM

MOTOR & MOUNTING GP - 172-4517
STEERING
EAME ONLY



**MT800B SERIES TRACTORS
DIFFERENTIAL STEERING SYSTEM**

757

**MOTOR & MOUNTING GP - 172-4517
STEERING
EAME ONLY**

| ITEM | NUMBER | QTY | DESCRIPTION |
|------|------------|-----|-----------------------------|
| - | 172-4517 | - | MOTOR & MTG GP STEERING [A] |
| 1 | CH162-9602 | 1 | MOTOR GP-PISTON (STEERING) |
| 2 | CH8F-8733 | 1 | SEAL-O-RING |
| 3 | 400056X1 | 4 | BOLT (M16X2X50MM) |
| 4 | 400082X1 | 4 | WASHER (17.5X30X3.5MM THK) |

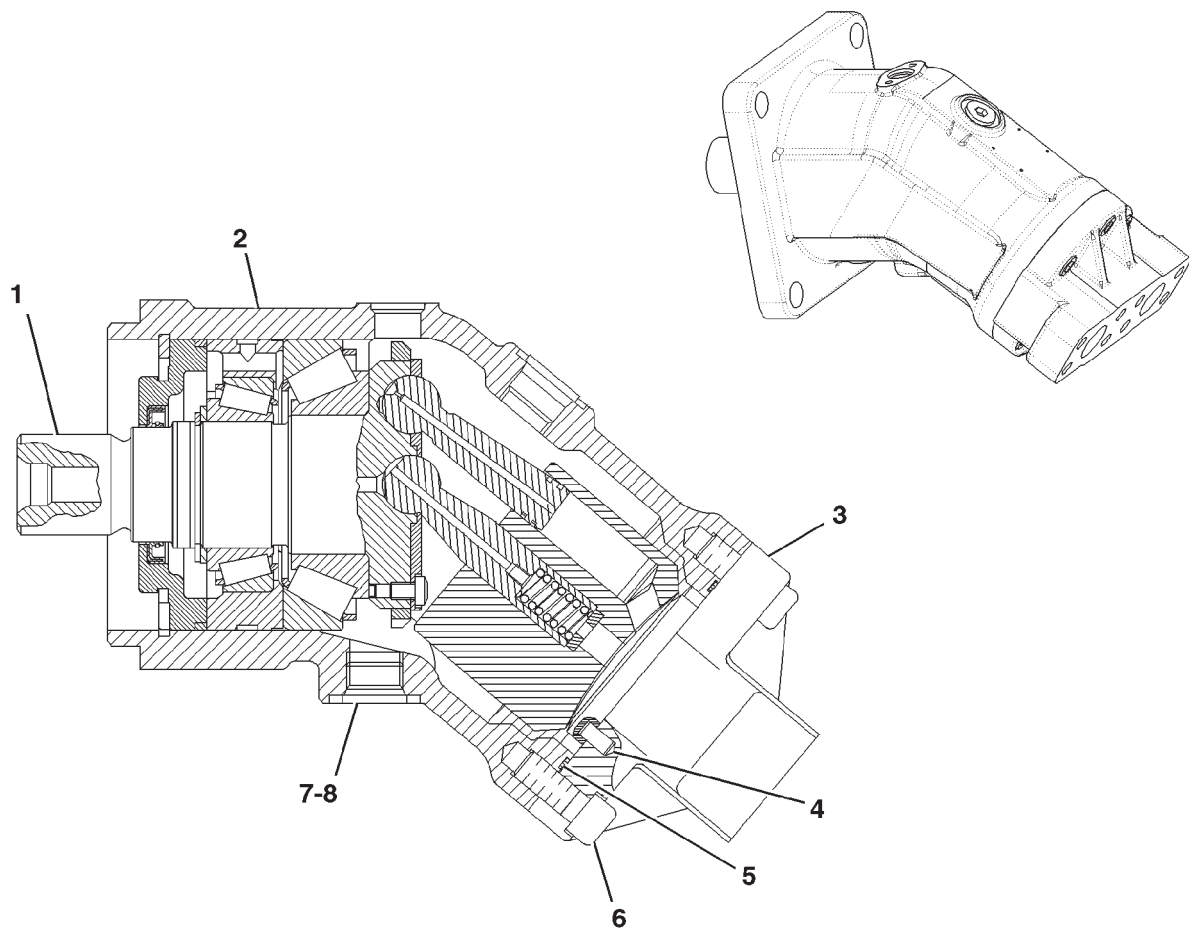
[A] PART OF:
177-9947; 183-2197 GAUGE AR-TRACK

00779015
PR: t05b22n43d0322

758

MT800B SERIES TRACTORS
DIFFERENTIAL STEERING SYSTEM

MOTOR GP-PISTON - CH162-9601
STEERING



0829718A

**MT800B SERIES TRACTORS
DIFFERENTIAL STEERING SYSTEM**

759

**MOTOR GP-PISTON - CH162-9601
STEERING**

| ITEM | NUMBER | QTY | DESCRIPTION |
|------|------------|-----|---|
| - | CH162-9601 | - | MOTOR GP-PISTON [A] |
| 1 | 203-0189 | 1 | ROTATING GP-MOTOR (SEE BREAKDOWN FOR COMPONENTS) |
| 2 | CH9T-1641 | 1 | HOUSING |
| 3 | 203-0190 | 1 | HEAD |
| 4 | CH1G-3174 | 1 | PIN |
| 5 | CH6V-1197 | 1 | SEAL-O-RING |
| 6 | 400220X1 | 6 | BOLT-HEX SOCKET (M12X1.75X30MM) |
| 7 | 400374X1 | 1 | PLUG |
| 8 | 400319X1 | 1 | SEAL-O-RING |

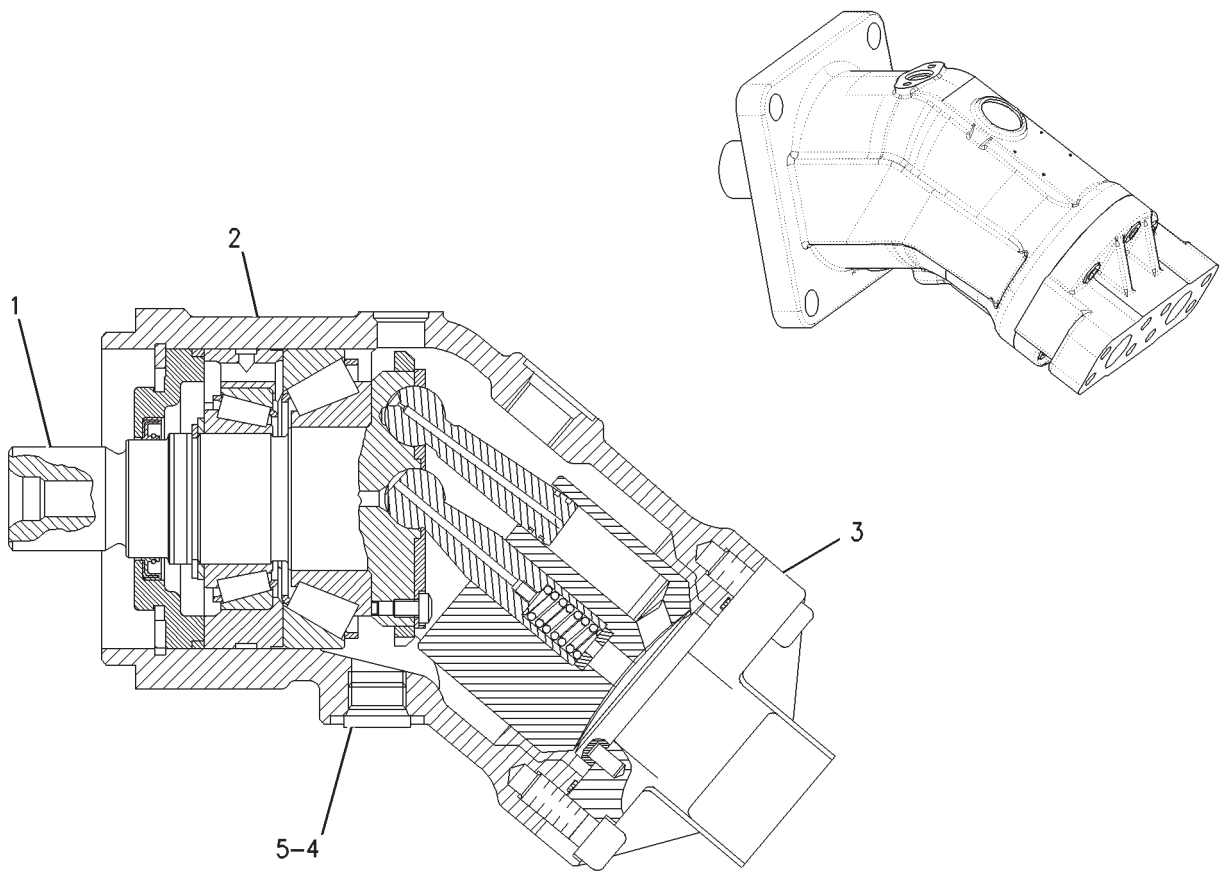
[A] PART OF 158-2404 MOTOR & MTG
GP-STEERING

0829718A
PR: t05b22n43d0323

760

MT800B SERIES TRACTORS
DIFFERENTIAL STEERING SYSTEM

MOTOR GP-PISTON - CH162-9602
STEERING



**MT800B SERIES TRACTORS
DIFFERENTIAL STEERING SYSTEM**

761

**MOTOR GP-PISTON - CH162-9602
STEERING**

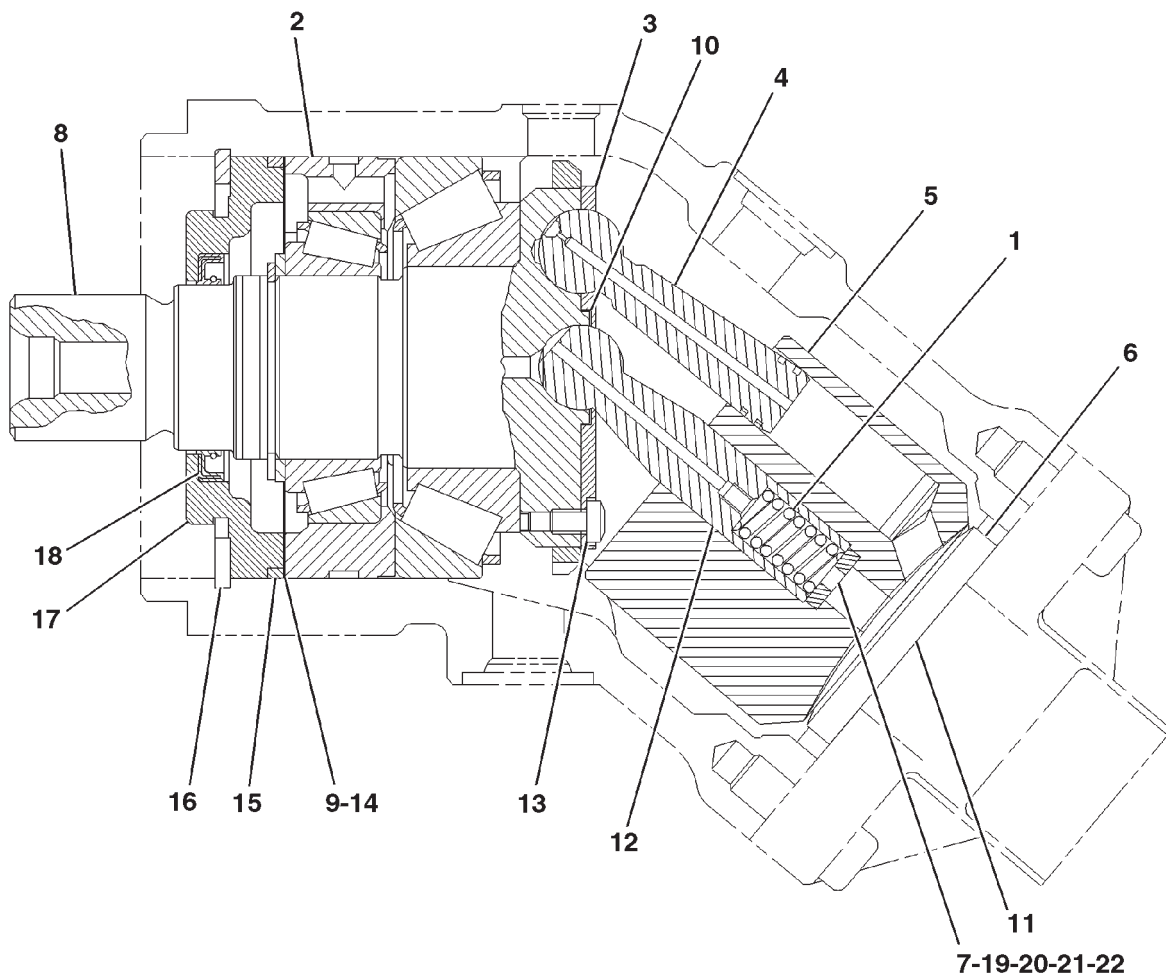
| ITEM | NUMBER | QTY | DESCRIPTION |
|------|------------|-----|---|
| - | CH162-9602 | - | MOTOR GP-PISTON [A] |
| 1 | 203-0189 | 1 | ROTATING GP-MOTOR (SEE BREAKDOWN FOR COMPONENTS) |
| 2 | | 1 | HOUSING (ORDER MOTOR GP-PISTON) |
| 3 | 203-1213 | 1 | HEAD (SEE BREAKDOWN FOR COMPONENTS) |
| 4 | 400374X1 | 1 | PLUG (10STOR) |
| 5 | 400319X1 | 1 | SEAL-O-RING (19.18IDX2.46DIA) |

[A] PART OF 172-4517 MOTOR & MTG GP

00850707
PR: t05k07n15a0022

MT800B SERIES TRACTORS
DIFFERENTIAL STEERING SYSTEM

ROTATING GP-MOTOR - 203-0189
STEERING



**MT800B SERIES TRACTORS
DIFFERENTIAL STEERING SYSTEM**

763

**ROTATING GP-MOTOR - 203-0189
STEERING**

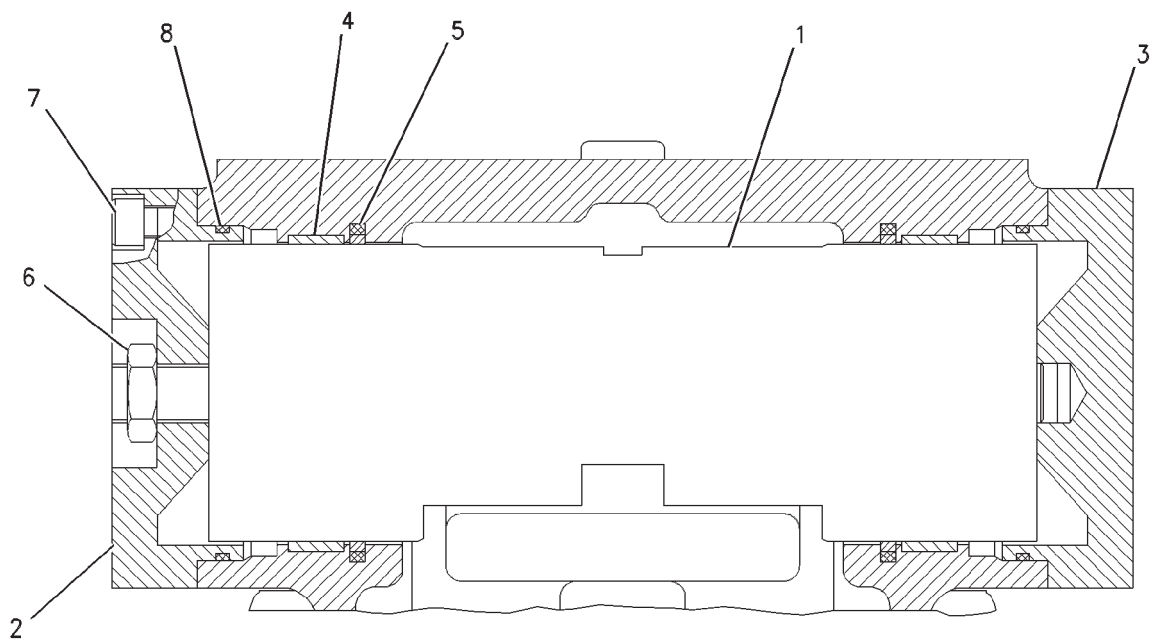
| ITEM | NUMBER | QTY | DESCRIPTION |
|------|------------|-----|------------------------------------|
| - | 203-0189 | - | ROTATING GP-MOTOR [A] |
| 1 | CH171-3061 | 1 | SPRING |
| 2 | CH171-5989 | 1 | KIT-BEARING |
| 3 | CH9T-1642 | 1 | PLATE-RETAINING |
| 4 | CH165-6969 | 7 | PISTON ASM |
| | CH9T-1582 | 2 | RING |
| 5 | CH9T-1687 | 1 | BARREL-CYLINDER |
| 6 | 203-0341 | 1 | VALVE GP-FLUSHING (HYD STEERING) A |
| 6A | 203-3167 | 1 | PLATE |
| 6B | 203-3168 | 1 | PIN |
| 6C | CH119-6110 | 2 | RETAINER |
| 6D | CH6E-4102 | 2 | SPRING |
| 6E | CH203-3169 | 2 | PIN |
| 7 | CH171-3060 | 1 | SHIM (3.6mm) |
| 8 | 202-2792 | 1 | SHAFT ASM-MOTOR |
| 9 | CH9T-1579 | 1 | SHIM (0.3) |
| 10 | CH9T-1643 | 1 | DISC-RETAINING |
| 11 | CH203-0343 | 1 | WASHER |
| 12 | CH171-3054 | 1 | PIN-CENTER |
| 13 | CH113-4420 | 7 | SCREW (M6X20MM) |
| 14 | CH9T-1576 | 2 | SHIM (0.1) |
| 15 | CH5D-5958 | 1 | SEAL-O-RING |
| 16 | CH6V-3326 | 1 | RING-RETAINING |
| 17 | CH9T-1637 | 1 | COVER-FRONT |
| 18 | CH123-5748 | 1 | SEAL-SHAFT |
| 19 | CH171-3059 | 1 | SHIM (3.7mm) |
| 20 | CH171-3058 | 1 | SHIM (3.8mm) |
| 21 | CH171-3057 | 1 | SHIM (3.9mm) |
| 22 | CH171-3055 | 1 | SHIM (4.0mm) |

[A] PART OF CH162-9601 MOTOR GP-PISTON

0829761A
PR: t05b22n43d0324

MT800B SERIES TRACTORS
HYDRAULIC SYSTEM

ACTUATOR GP-PISTON PUMP - CH183-8430



MT800B SERIES TRACTORS
HYDRAULIC SYSTEM

765

ACTUATOR GP-PISTON PUMP - CH183-8430

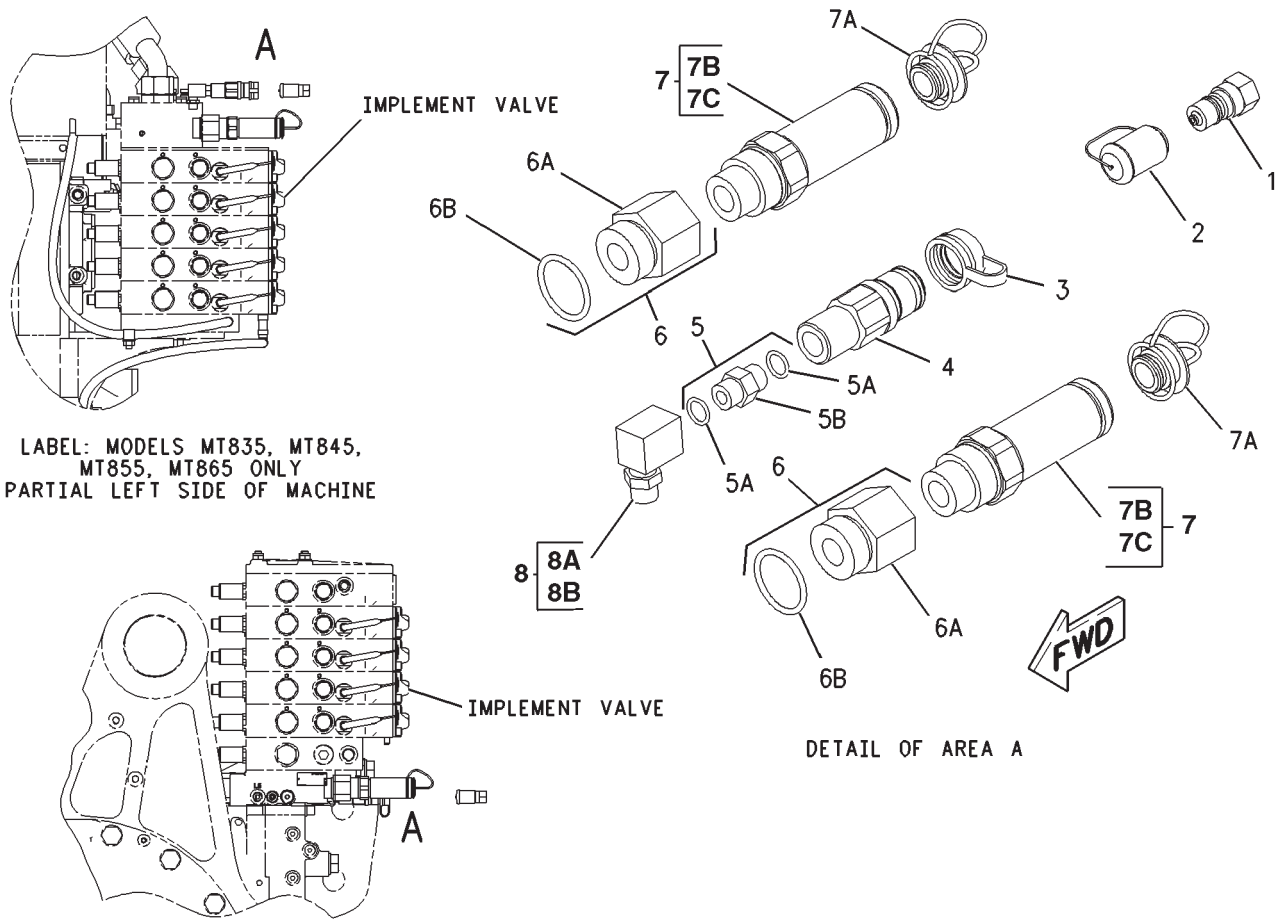
| ITEM | NUMBER | QTY | DESCRIPTION |
|------|------------|-----|--|
| - | CH183-8430 | - | ACTUATOR GP-PISTON PUMP [A] |
| 1 | CH183-8417 | 1 | VALVE GP-SERVO (SEE BREAKDOWN FOR COMPONENTS) |
| 2 | CH183-8431 | 1 | COVER |
| 3 | CH183-8442 | 1 | COVER |
| 4 | CH183-8443 | 2 | RING-WEAR |
| 5 | CH183-8444 | 2 | RING-SEAL |
| 6 | CH119-0942 | 1 | NUT |
| 7 | 400151X1 | 8 | BOLT-SOCKET HEAD (M8X1.25X25MM) |
| 8 | CH8C-3089 | 2 | SEAL-O-RING (82.22MM ID) |

[A] PART OF CH162-9592 PUMP GP-PISTON

00664406
PR: t05b22n43d0325

MT800B SERIES TRACTORS
HYDRAULIC SYSTEM

HYDRAULIC KIT-POWER BEYOND - 178-7162
STD FLOW (0-60 LPM) .5" COUPLER
ROW AND SPECIAL APPLICATIONS



LABEL: MODELS MT835, MT845,
 MT855, MT865 ONLY
 PARTIAL LEFT SIDE OF MACHINE

LABEL: MODELS MT735, MT745,
 MT755, MT765 ONLY
 ALTERNATE CONFIGURATION

MT800B SERIES TRACTORS
HYDRAULIC SYSTEM

767

HYDRAULIC KIT-POWER BEYOND - 178-7162
STD FLOW (0-60 LPM) .5" COUPLER
ROW AND SPECIAL APPLICATIONS

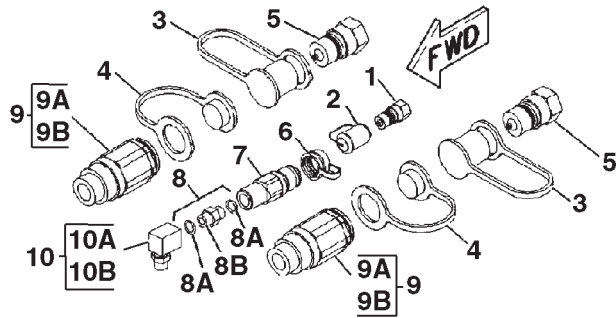
| ITEM | NUMBER | QTY | DESCRIPTION |
|------|------------|-----|------------------------------------|
| - | 178-7162 | - | CONNECTOR GP-VALVE |
| 1 | CH153-4061 | 1 | FITTING |
| - | CH153-4058 | 1 | COUPLING (NOT SHOWN) [A] |
| 2 | CH153-6225 | 1 | CAP-DUST |
| 3 | CH159-5893 | 1 | CAP-DUST |
| 4 | CH159-5897 | 1 | COUPLER AS |
| 5 | CH170-0964 | 1 | CONNECTOR AS (6STOR X 6STOR) |
| 5A | 400318X1 | 2 | SEAL-O-RING (11.89DIA X 1.98) |
| 5B | | 1 | CONNECTOR (ORDER ITEM 5) |
| 6 | CH172-4621 | 2 | ADAPTER AS (16STOR X 12STOR) |
| 6A | | 1 | ADAPTER-STR (ORDER ITEM 6) |
| 6B | 400376X1 | 1 | SEAL-O-RING (29.74ID X 2.95DIA) |
| 7 | CH183-3725 | 2 | COUPLER ASM |
| 7A | CH168-4599 | 1 | CAP-DUST |
| 7B | CH5L-4758 | 1 | SEAL-O-RING |
| 7C | CH201-7615 | 1 | RING-BACKUP |
| - | CH159-5898 | 1 | NIPPLE ASM (NOT SHOWN) [B] |
| 8 | CH150-3065 | 1 | ADAPTER AS-90DEG (6STORX6STOR) [C] |
| 8A | 400318X1 | 1 | SEAL-O-RING (11.89ID X 1.98) |
| 8B | | 1 | ADAPTER (ORDER ITEM 8) |

[A] MATING PART FOR ITEM 1
[B] MATING PART FOR ITEM 7
[C] PART REQ'D FOR MODELS
MT835B, MT845B, MT855B, MT865B ONLY

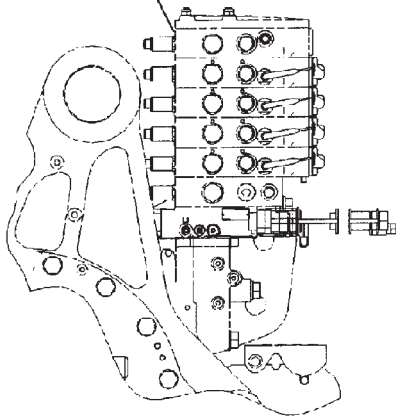
00885028
PR: t05b22n43d0326

MT800B SERIES TRACTORS
HYDRAULIC SYSTEM

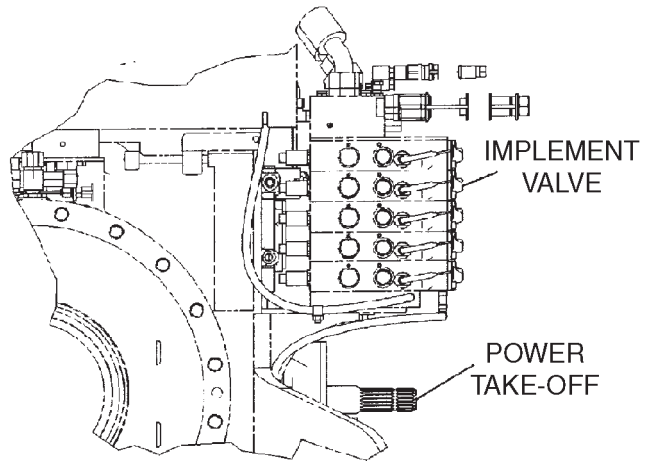
CONNECTOR GP-VALVE - 180-7174
ABOVE 60 LPM HYDRAULIC POWER BEYOND
ROW AND SPECIAL APPLICATIONS



IMPLEMENT VALVE



RIGHT SIDE VIEW



LEFT SIDE VIEW

MT800B SERIES TRACTORS
HYDRAULIC SYSTEM

769

CONNECTOR GP-VALVE - 180-7174
ABOVE 60 LPM HYDRAULIC POWER BEYOND
ROW AND SPECIAL APPLICATIONS

| ITEM | NUMBER | QTY | DESCRIPTION |
|------|------------|-----|--------------------------------------|
| - | 180-7174 | - | CONNECTOR GP-VALVE |
| 1 | CH153-4061 | 1 | FITTING |
| 2 | CH153-6225 | 1 | CAP-DUST |
| 3 | CH153-6227 | 2 | CAP-DUST |
| 4 | CH153-6228 | 2 | PLUG-DUST [A] |
| 5 | CH159-5890 | 2 | NIPPLE AS (HIGH PRESSURE) |
| | CH153-6227 | 1 | CAP-DUST |
| 6 | CH159-5893 | 1 | CAP-DUST |
| 7 | CH159-5897 | 1 | COUPLER |
| 8 | CH170-0964 | 1 | CONNECTOR AS (6STOR X 6STOR) |
| 8A | 400318X1 | 2 | SEAL-O-RING (11.89IDX1.98DIA) |
| 8B | | 1 | CONNECTOR (ORDER ITEM 8) |
| 9 | CH183-3724 | 2 | COUPLER AS |
| 9A | CH2K-8199 | 1 | SEAL-O-RING |
| 9B | CH201-7614 | 1 | RING-BACKUP |
| 10 | CH150-3065 | 1 | ADAPTER AS (90DEG-6STOR X 6STOR) [B] |
| 10A | 400318X1 | 1 | SEAL-O-RING (11.89IDX1.98DIA) |
| 10B | | 1 | ADAPTER (ORDER ITEM 10) |

[A] DUST PROTECTION
[B] PARTS FOR MT800 SERIES ONLY

0824172A
PR: t05b22n43d0327

770

MT800B SERIES TRACTORS
HYDRAULIC SYSTEM

CONVERSION GP-CONTROL VALVE - 185-8699
4 VALVE TO 5 VALVE UPGRADE

NO ILLUSTRATION

NOTIF

MT800B SERIES TRACTORS
HYDRAULIC SYSTEM

771

CONVERSION GP-CONTROL VALVE - 185-8699
4 VALVE TO 5 VALVE UPGRADE

| ITEM | NUMBER | QTY | DESCRIPTION |
|------|----------|-----|--|
| - | 185-8699 | - | CONVERSION GP-CONTROL VALVE |
| | 136-5670 | 1 | CONTROL & WIRING GP (SEE BREAKDOWN FOR COMPONENTS) |
| | 136-5355 | 1 | CONTROL GP-IMPLEMENT (NOT SERVICED) (SEE BREAKDOWN FOR COMPONENTS) |
| | 189-5910 | 1 | CONVERSION GP-CONTROL VALVE (FOUR TO FIVE BANK VALVE) (SEE BREAKDOWN FOR COMPONENTS) |

NOTIF
PR: t05b22n43d0328

772

MT800B SERIES TRACTORS
HYDRAULIC SYSTEM

CONVERSION GP-CONTROL VALVE - 185-8701

NO ILLUSTRATION

NOTIF

MT800B SERIES TRACTORS
HYDRAULIC SYSTEM

773

CONVERSION GP-CONTROL VALVE - 185-8701

| ITEM | NUMBER | QTY | DESCRIPTION |
|------|----------|-----|---|
| - | 185-8701 | - | CONVERSION GP-CONTROL VALVE [A] |
| | 152-0448 | 1 | CONTROL GP-IMPLEMENT (NOT SERVICED) (SEE BREAKDOWN FOR COMPONENTS) |
| | 189-5906 | 1 | CONVERSION GP-CONTROL VALVE (FIVE TO SIX BANK VALVE) (SEE BREAKDOWN FOR COMPONENTS) |

[A] 5 VALVE TO 6 VALVE UPGRADE

NOTIF
PR: t05b22n43d0329

774

MT800B SERIES TRACTORS
HYDRAULIC SYSTEM

CONVERSION GP-CONTROL VALVE - 189-5910
4 VALVE TO 5 VALVE UPGRADE

NO ILLUSTRATION

NOTIF

MT800B SERIES TRACTORS
HYDRAULIC SYSTEM

775

CONVERSION GP-CONTROL VALVE - 189-5910
4 VALVE TO 5 VALVE UPGRADE

| ITEM | NUMBER | QTY | DESCRIPTION |
|------|-----------|-----|--|
| - | 189-5910 | - | CONVERSION GP-CONTROL VALVE [A] |
| | 162-9816 | 1 | VALVE GP-CONTROL (SEE BREAKDOWN FOR COMPONENTS) |
| | 7774664 | 4 | NUT (M10X1.5) |
| | CH5P-9186 | 14 | SEAL-O-RING |
| | CH8L-2777 | 4 | SEAL-O-RING |
| | 209-7497 | 4 | STUD |

[A] PART OF 185-8699 CONV GP-CONTROL VALVE
QUANTITIES SHOWN ON SEAL-O-RING REFLECT REPLACEMENT SEALS FOR THE VALVE SECTION IMMEDIATELY BELOW THE TOP PLATE AND DUPLICATE SEALS FOR THOSE PRESENT IN THE ADDITIONAL VALVE GP

THIS KIT CONVERTS A FOUR (4) REMOTE VALVE NONSTEERABLE HITCH VALVE STACK TO FIVE (5) REMOTE VALVE NONSTEERABLE HITCH VALVE STOCK.

NOTIF
PR: t05b22n43d0330

776

MT800B SERIES TRACTORS
HYDRAULIC SYSTEM

CONVERSION GP-CONTROL VALVE - 189-5906
5 VALVE TO 6 VALVE UPGRADE

NO ILLUSTRATION

NOTIF

MT800B SERIES TRACTORS
HYDRAULIC SYSTEM

777

CONVERSION GP-CONTROL VALVE - 189-5906
5 VALVE TO 6 VALVE UPGRADE

| ITEM | NUMBER | QTY | DESCRIPTION |
|------|-----------|-----|--|
| - | 189-5906 | - | CONVERSION GP-CONTROL VALVE [A] |
| | 162-9816 | 1 | VALVE GP-CONTROL (SEE BREAKDOWN FOR COMPONENTS) |
| | 7774664 | 4 | NUT (M10X1.5) |
| | CH5P-9186 | 14 | SEAL-O-RING [J] |
| | CH8L-2777 | 4 | SEAL-O-RING [J] |
| | 209-7498 | 4 | STUD |

[A] PART OF 185-8701 CONVERSION
GP-CONTROL VALVE

[J] QUANTITIES SHOWN REFLECT
REPLACEMENT SEALS FOR THE VALVE
SECTION IMMEDIATELY BELOW THE TOP
PLATE AND DUPLICATE SEALS FOR THOSE
PRESENT IN THE ADDITIONAL VALVE GP.

NOTIF
PR: t05b22n43d0331

778

MT800B SERIES TRACTORS
HYDRAULIC SYSTEM

KIT-CONVERSION-IMPL VALVE - 502218D1
4 VALVE TO 6 VALVE UPGRADE (HIGH FLOW)
SPECIAL APPLICATIONS

NO ILLUSTRATION

NOTIF

MT800B SERIES TRACTORS
HYDRAULIC SYSTEM

779

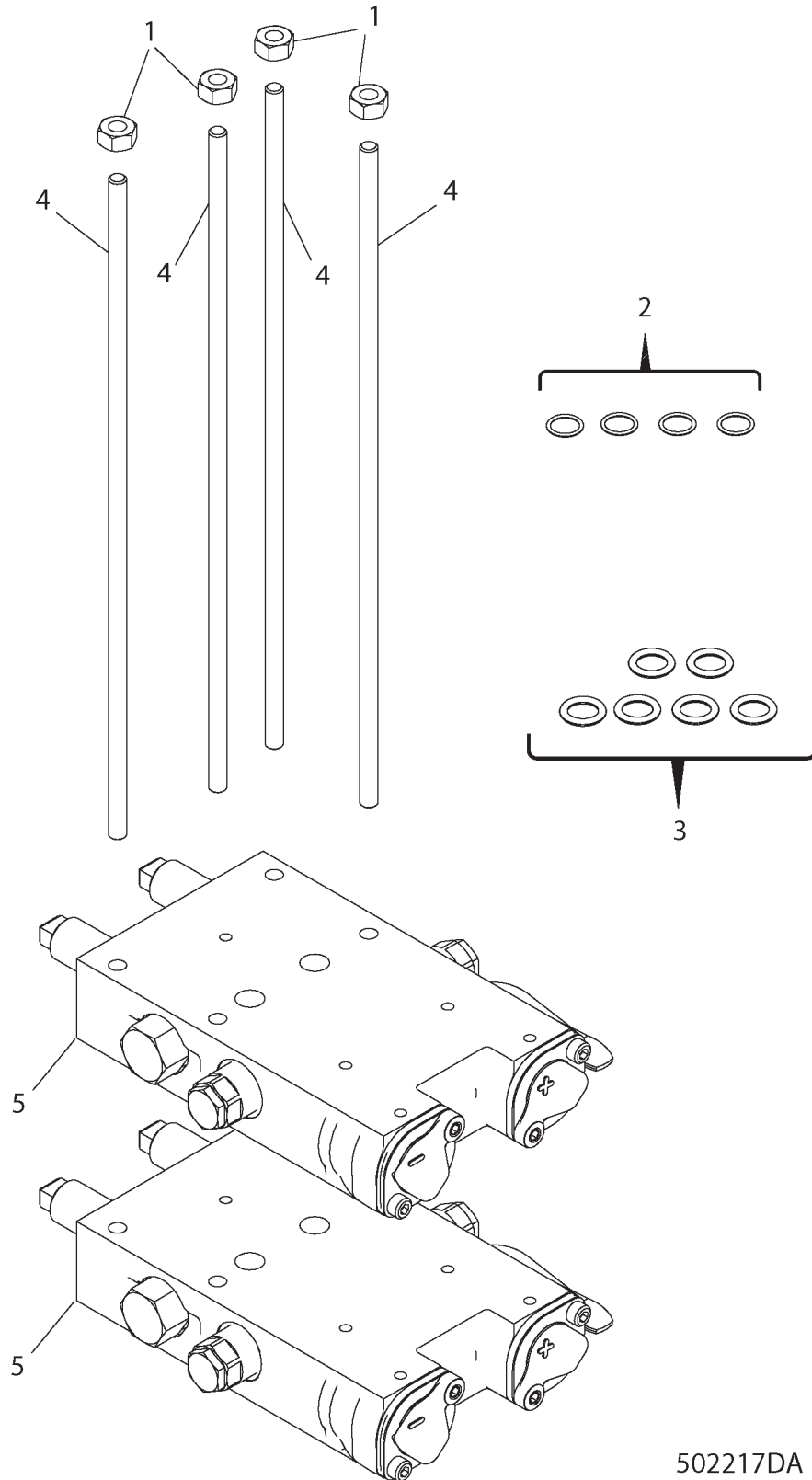
KIT-CONVERSION-IMPL VALVE - 502218D1
4 VALVE TO 6 VALVE UPGRADE (HIGH FLOW)
SPECIAL APPLICATIONS

| ITEM | NUMBER | QTY | DESCRIPTION |
|------|----------|-----|---|
| - | 502218D1 | - | CONVERSION GP-CONTROL VALVE |
| 1 | 136-5670 | 1 | CONTROL & WIRING GP (NOT SERVICED) (SEE BREAKDOWN FOR COMPONENTS) |
| 2 | 136-5355 | 1 | CONTROL GP-IMPLEMENT 5 (NOT SERVICED) (SEE BREAKDOWN FOR COMPONENTS) |
| 3 | 152-0448 | 1 | CONTROL GP-IMPLEMENT 6 (NOT SERVICED) (SEE BREAKDOWN FOR COMPONENTS) |
| 4 | 502217D1 | 1 | KIT-VALVE AS (SEE BREAKDOWN FOR COMPONENTS) |

NOTIF
PR: t05k07n15a0023

MT800B SERIES TRACTORS
HYDRAULIC SYSTEM

KIT-HYDRAULIC VALVE AS - 502217D1
CONVERT 4 REMOTE TO 5 REMOTE VALVES
NON-STEERABLE HITCH



502217DA

MT800B SERIES TRACTORS
HYDRAULIC SYSTEM

781

KIT-HYDRAULIC VALVE AS - 502217D1
CONVERT 4 REMOTE TO 5 REMOTE VALVES
NON-STEERABLE HITCH

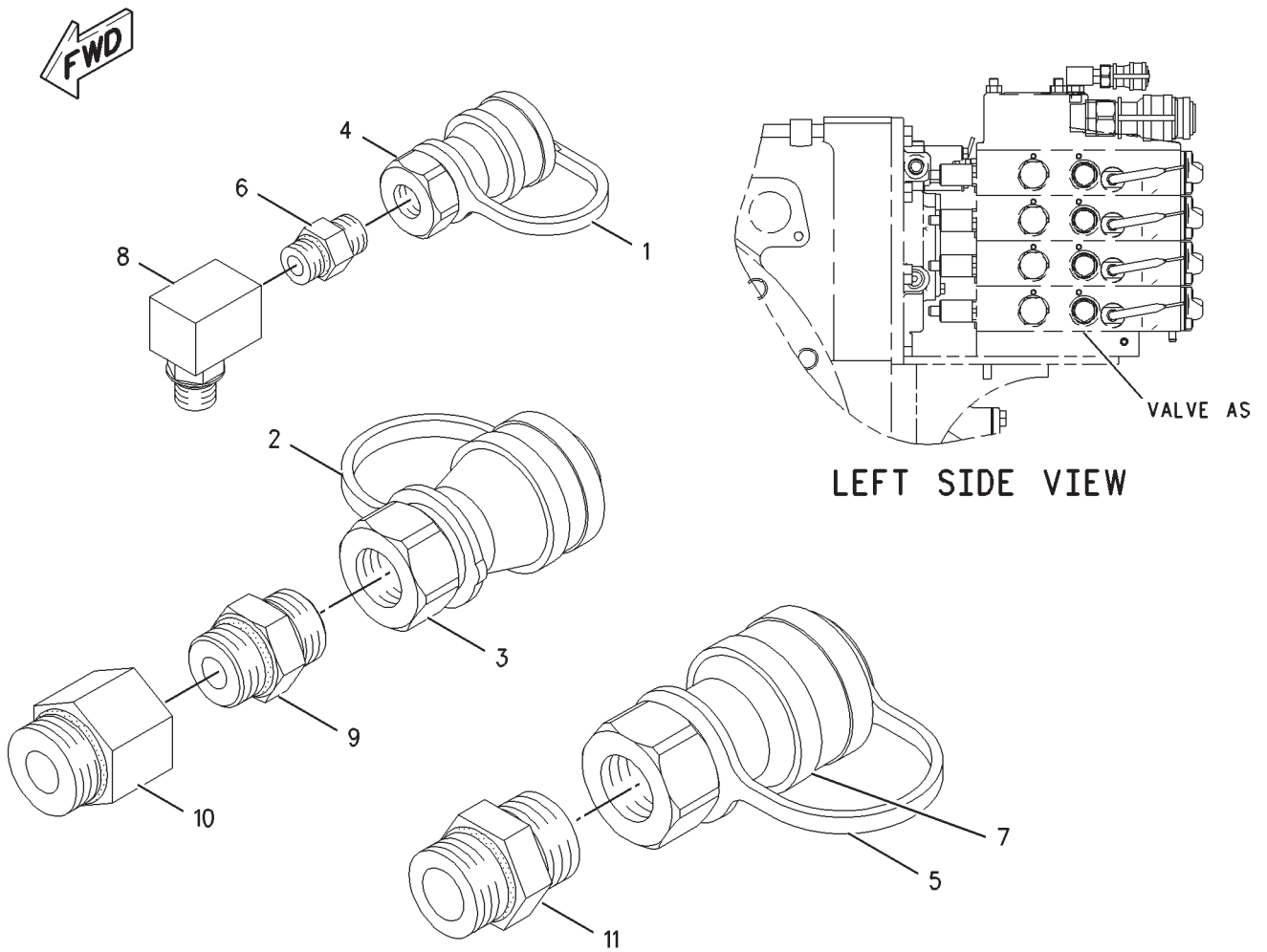
| ITEM | NUMBER | QTY | DESCRIPTION |
|------|------------|-----|--|
| - | 502217D1 | - | KIT, HYDRAULIC [A] |
| 1 | 7774664 | 4 | NUT (M10X1.5 THD) |
| 2 | CH5P-9186 | 6 | O-RING (SEE NOTE B) |
| 3 | CH8L-2777 | 4 | O-RING (SEE NOTE B) |
| 4 | CH209-7498 | 4 | STUD |
| 5 | 502038D1 | 2 | VALVE GP-CONTROL (IMPLEMENT) (SEE BREAKDOWN FOR COMPONENTS) |

[A] PART OF 502218D1 KIT-IMPL VALVE
[B] QUANTITIES SHOWN REFLECT
REPLACEMENT SEALS FOR THE VALVE
SECTION IMMEDIATELY BELOW THE TOP
PLATE AND DUPLICATE SEALS FOR THOSE
PRESENT IN THE ADDITIONAL VALVE GP)

502217DA
PR: t05k07n15a0024

MT800B SERIES TRACTORS
HYDRAULIC SYSTEM

KIT-COUPLING-POWER BEYOND - 189-3143
(CLAAS)
EAME ONLY



MT800B SERIES TRACTORS
HYDRAULIC SYSTEM

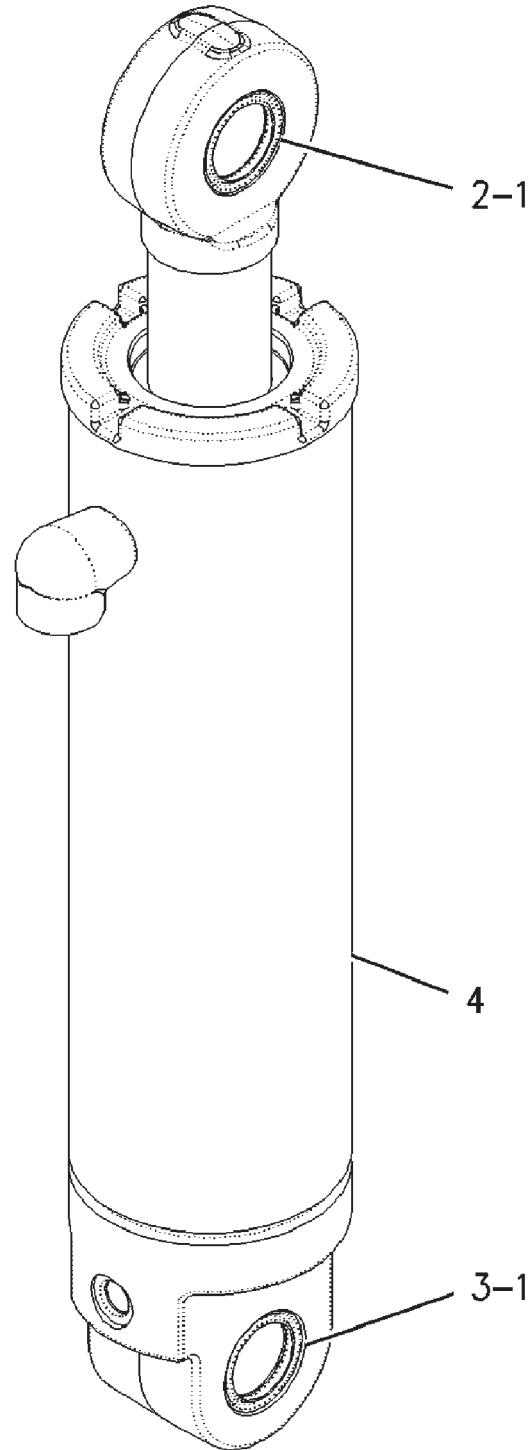
783

KIT-COUPPING-POWER BEYOND - 189-3143
(CLAAS)
EAME ONLY

| ITEM | NUMBER | QTY | DESCRIPTION |
|------|------------|-----|------------------------------------|
| - | 189-3143 | - | KIT-COUPPING-POWER BEYOND |
| 1 | CH5R-5676 | 1 | PLUG-DUST |
| 2 | CH5R-5718 | 1 | PLUG-DUST |
| 3 | CH5R-6304 | 1 | COUPLER-QUICK CONNECT (12STOR-FEM) |
| | CH3S-9233 | 1 | SEAL-O-RING |
| | CH5R-5780 | 1 | RETAINER |
| 4 | CH5R-6868 | 1 | COUPLER-QUICK CONNECT (6STOR-FEM) |
| 5 | CH165-5694 | 1 | PLUG-DUST |
| 6 | CH170-0964 | 1 | CONNECTOR AS (6STOR X 6STOR) |
| | 400318X1 | 2 | SEAL-O-RING (11.89ID X 1.98 DIA) |
| 7 | CH173-7639 | 1 | COUPLER-QUICK CONNECT (16STOR-FEM) |
| | CH191-6944 | 1 | KIT-SEAL (COUPLING AS) |
| 8 | CH150-3065 | 1 | ADAPTER AS (90DEG-6STOR X 6STOR) |
| | 400318X1 | 1 | SEAL-O-RING (11.89ID X 1.98 DIA) |
| 9 | CH172-4620 | 1 | CONNECTOR AS (12STOR HEX) |
| | 400416X1 | 2 | SEAL-O-RING (23.47ID X 2.95DIA) |
| 10 | CH172-4621 | 1 | ADAPTER AS (16STOR X 12STOR) |
| | 400376X1 | 2 | SEAL-O-RING (29.74ID X 2.95DIA) |
| 11 | CH172-4622 | 1 | UNION AS (16STOR HEX) |
| | 400376X1 | 2 | SEAL-O-RING (29.74ID X 2.95DIA) |

00893843
PR: t05b22n43d0332

CYLINDER GP-LIFT



**MT800B SERIES TRACTORS
HYDRAULIC SYSTEM**

785

CYLINDER GP-LIFT

| ITEM | NUMBER | QTY | DESCRIPTION |
|------|------------|-----|---|
| - | CH192-6280 | - | CYLINDER GP-LIFT (COMPLETE) [A] |
| 1 | 400311X1 | 4 | SEAL-LIP |
| 2 | CH190-2623 | 1 | BEARING |
| 3 | CH196-3024 | 1 | BEARING |
| 4 | CH198-8789 | 1 | CYLINDER GP (0125-0345-Y) (NOT SERVICED-ORDER COMPLETE GP) (SEE BREAKDOWN FOR COMPONENTS) |

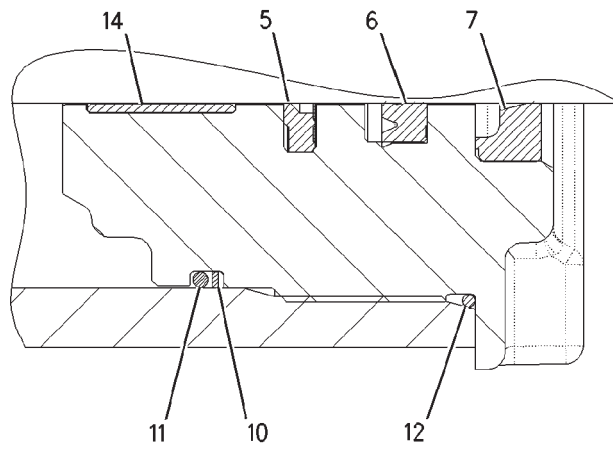
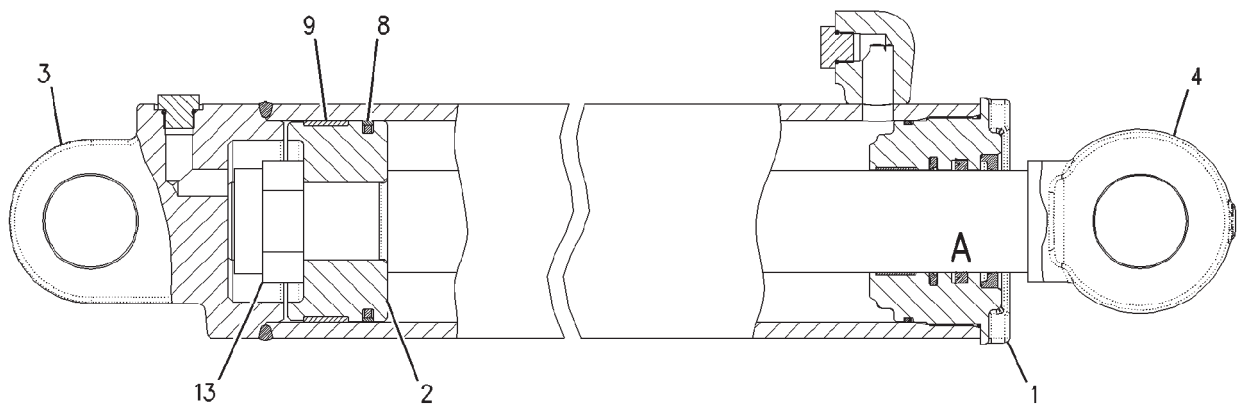
[A] PART OF: 169-0027;169-0028;
179-0852;180-6639;186-0979 &
189-3300 HITCH AR-3 POINT

00852391
PR: t05b22n43d0333

786

MT800B SERIES TRACTORS
HYDRAULIC SYSTEM

CYLINDER GP (0125-0345-Y)
125MM X 345MM (4.92 X 13.58")



VIEW OF AREA A

00852903

MT800B SERIES TRACTORS
HYDRAULIC SYSTEM

787

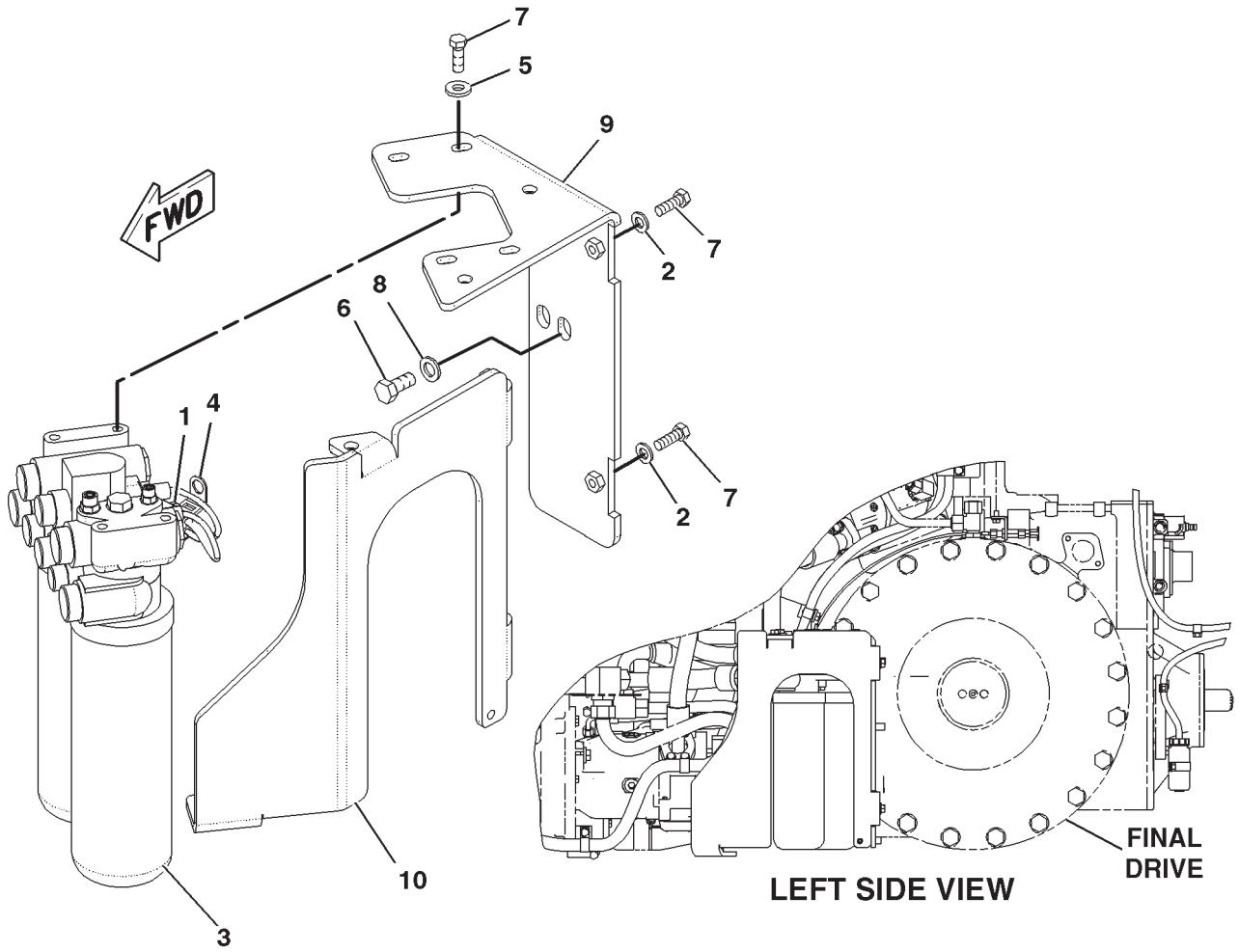
CYLINDER GP (0125-0345-Y)
125MM X 345MM (4.92 X 13.58")

| ITEM | NUMBER | QTY | DESCRIPTION |
|------|------------|-----|---|
| - | CH198-8789 | - | CYLINDER GP [A] (NOT SERVICED) (ORDER CYLINDER GP-LIFT CH192-6280) |
| 1 | | 1 | HEAD |
| 2 | | 1 | PISTON |
| 3 | | 1 | BODY |
| 4 | | 1 | ROD ASM |
| 5 | CH167-2201 | 1 | SEAL ASM-BUFFER |
| 6 | CH167-2312 | 1 | SEAL-U-CUP |
| 7 | 500686D1 | 1 | SEAL-WIPER (DOUBLE LIP) |
| 8 | CH186-4955 | 1 | SEAL-PISTON |
| 9 | CH186-5137 | 1 | RING-WEAR |
| 10 | CH2J-3961 | 1 | RING-BACKUP |
| 11 | CH2J-8163 | 1 | SEAL-O-RING (117.07X3.53) |
| 12 | CH5F-3999 | 1 | SEAL-O-RING (123.42X3.53) |
| 13 | | 1 | NUT-SELF LOCKING |
| 14 | CH8T-0785 | 1 | RING-WEAR |

[A] PART OF CH192-6280 CYLINDER GP-LIFT

00852903
PR: t05b22n43d0334

FILTER & MTG GP-HYDRAULIC
158-2349



0895667A

MT800B SERIES TRACTORS
HYDRAULIC SYSTEM

789

FILTER & MTG GP-HYDRAULIC
158-2349

| ITEM | NUMBER | QTY | DESCRIPTION |
|------|-----------|-----|--|
| - | 158-2349 | - | FILTER & MTG GP-HYDRAULIC [A] (NOT SERVICED) |
| 1 | CH7K-1181 | 1 | STRAP-CABLE |
| 2 | 400357X1 | 2 | WASHER-HARD (M12X25.5X3) |
| 3 | 501767D1 | 1 | FILTER-OIL (HYDRAULIC) (TRANS/STEERING/IMPLEMENT) (SEE BREAKDOWN FOR COMPONENTS) |
| 4 | 400380X1 | 1 | CLIP |
| 5 | 400381X1 | 4 | WASHER-HARD (13.5X30X4) |
| 6 | WR518357 | 4 | BOLT (M16X2X35MM) |
| 7 | 400064X1 | 6 | BOLT (M12X1.75X35MM) |
| 8 | 400082X1 | 4 | WASHER (17.5X30X3.5) |
| 9 | 222-9854 | 1 | PLATE ASM |
| | CH8T-3597 | 3 | NUT-WELD (M12X1.75) |
| 10 | 222-9855 | 1 | PLATE ASM |

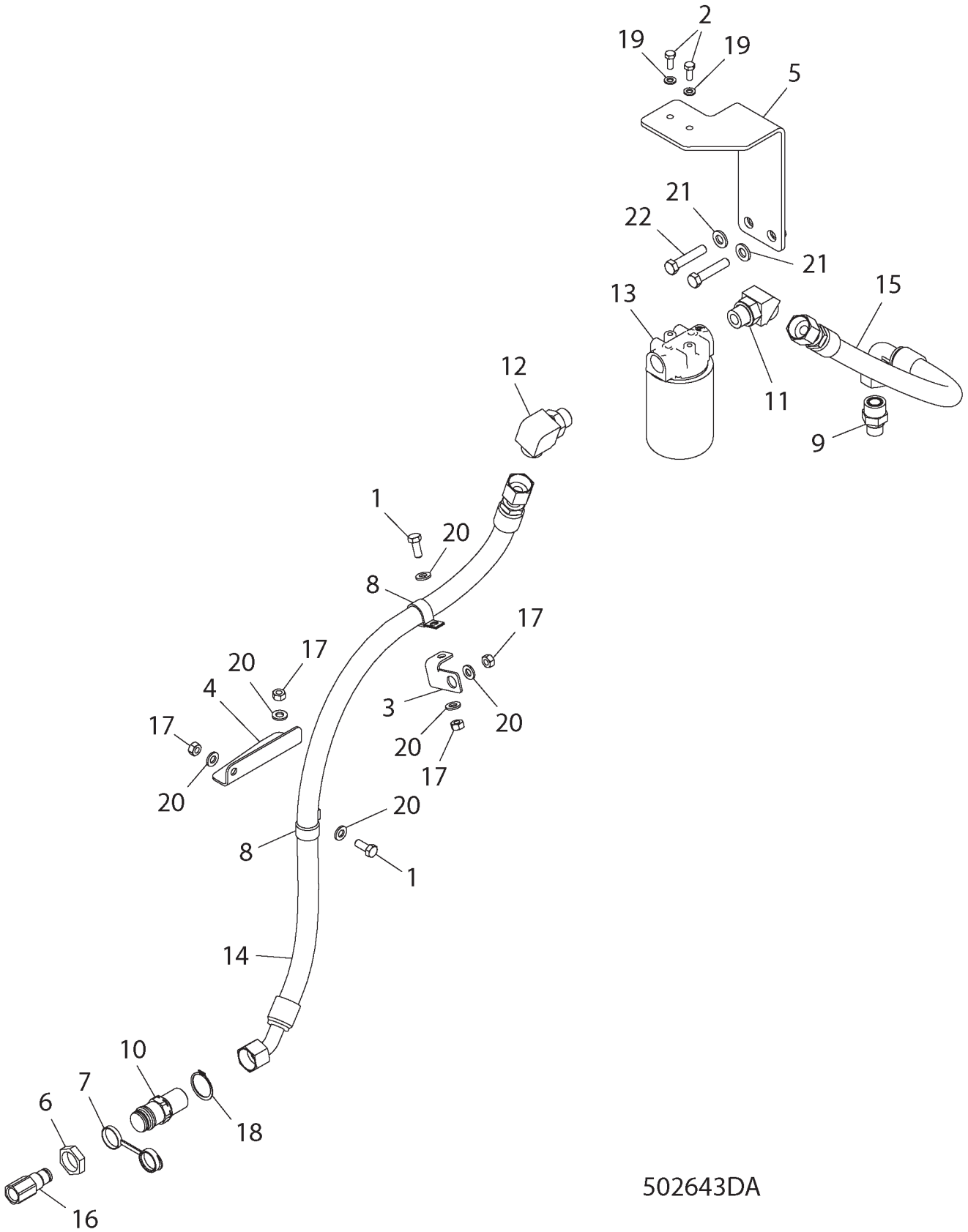
[A] PART OF:
158-2342; 501809D1 HYD AR-COMMON

0895667A
PR: t05b22n43d0335

790

MT800B SERIES TRACTORS
HYDRAULIC SYSTEM

CASE DRAIN GP-FLAT FACE - 502643D1
3 PT HITCH
ROW & EAME



502643DA

**MT800B SERIES TRACTORS
HYDRAULIC SYSTEM**

791

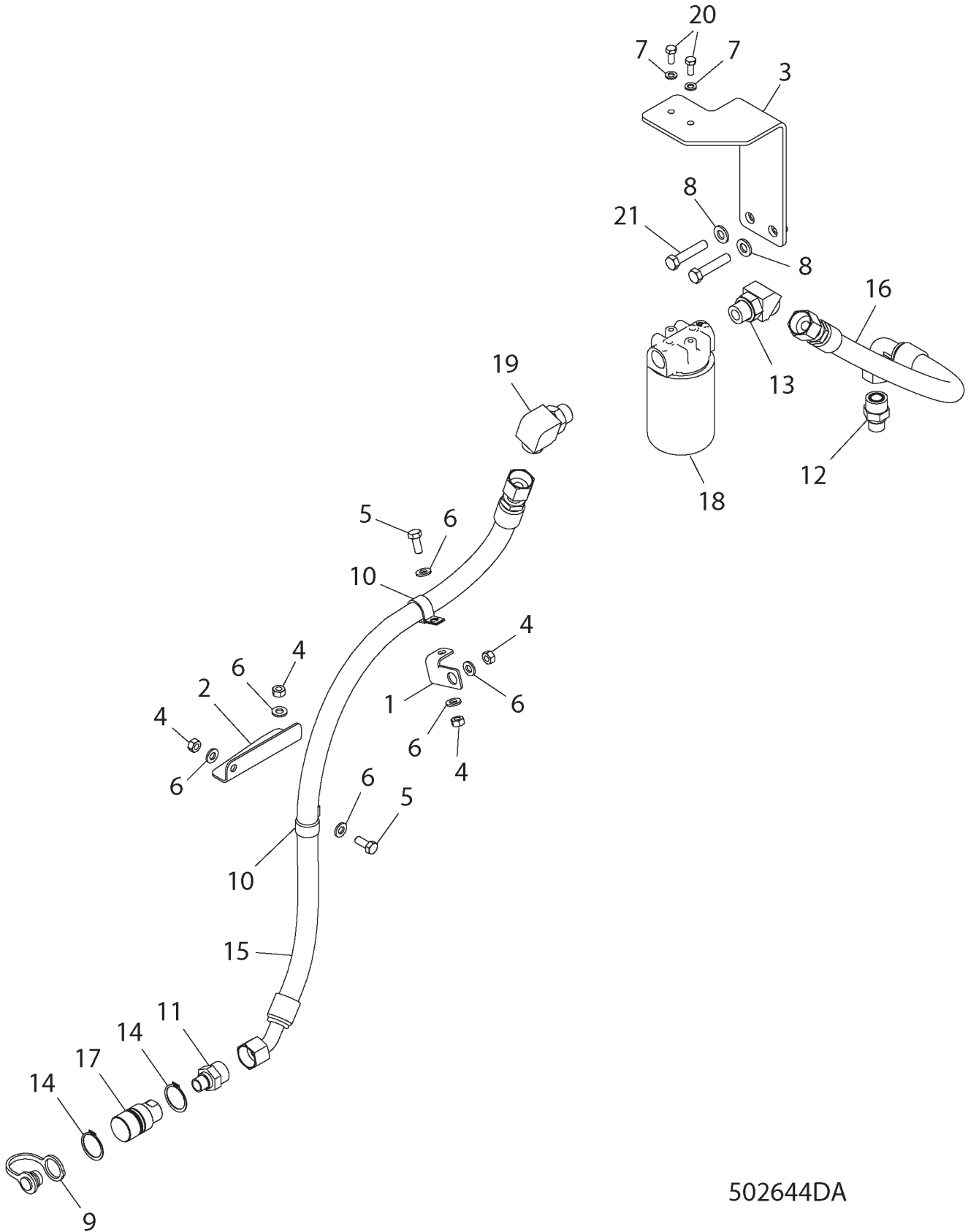
**CASE DRAIN GP-FLAT FACE - 502643D1
3 PT HITCH
ROW & EAME**

| ITEM | NUMBER | QTY | DESCRIPTION |
|------|------------|-----|--|
| - | 502643D1 | - | CASE DRAIN GP-FLAT FACE (NOT SERVICED, ORDER FIELD INSTALLED) |
| - | 502682D1 | - | HYDRAULIC KIT-CASE DRAIN (FIELD INSTALLED) |
| 1 | 400039X1 | 2 | BOLT-M10X1.5X25 ZNDI HHD 10.9 |
| 2 | 400053X1 | 2 | BOLT-M8X1.25X20 ZNDI HHD 10.9 |
| 3 | 200-2992 | 1 | BRACKET |
| 4 | 200-2993 | 1 | BRACKET |
| 5 | 208-9928 | 1 | BRACKET AS |
| 6 | 400961X1 | 1 | BULKHEAD NUT-12ORFS |
| 7 | 502473D1 | 1 | CAP-DUST |
| 8 | 400700X1 | 2 | CLIP LOOP 28.58ID |
| 9 | 400965X1 | 1 | CONNECTOR AS-STR 10STOR-12ORFS |
| | 400319X1 | 1 | SEAL-O-RING (19.18ID X 2.46DIA) |
| | 400366X1 | 1 | SEAL-O-RING (22.5OD X 1.78DIA) |
| 10 | 502475D1 | 1 | COUPLER AS |
| | 400366X1 | 1 | SEAL-O-RING (22.5ID X 1.78DIA) |
| 11 | 400967X1 | 1 | ELBOW AS-45 -12STOR-12ORFS |
| | 400366X1 | 1 | SEAL-O-RING (22.5OD X 1.78DIA) |
| | 400416X1 | 1 | SEAL-O-RING (23.47ID X 2.95DIA) |
| 12 | CH148-8347 | 1 | ELBOW AS-90DEG 12STOR X 12ORFS |
| | 400366X1 | 1 | SEAL-O-RING (22.5ID X 1.78DIA) |
| | 400416X1 | 1 | SEAL-O-RING (23.47ID X 2.95DIA) |
| 13 | 502679D1 | 1 | FILTER GP-HYD |
| | 501771D1 | 1 | FILTER AS-HYD |
| 14 | 502468D1 | 1 | HOSE AS |
| 15 | 502469D1 | 1 | HOSE AS |
| 16 | 502472D1 | 1 | NIPPLE AS-FLAT FACE-SIZE 6 |
| 17 | 7774664 | 4 | NUT-M10-1.5,CL10.9,ZN,H,REG |
| 18 | 400968X1 | 1 | SNAP RING EXT |
| 19 | 400339X1 | 2 | WASHER-HARD |
| 20 | 400287X1 | 6 | WASHER-HARD 11ID X 21OD X 2.5 ZND1 |
| 21 | 400357X1 | 2 | WASHER-HARD-M12 X 25.5OD X 3THK |
| 22 | 400063X1 | 2 | BOLT-M12 X 1.75 X 60 ZNDI HHD 10.9 |

502643DA
PR: t05k07n15a0025

MT800B SERIES TRACTORS
HYDRAULIC SYSTEM

CASE DRAIN GP-PIONEER - 502644D1
3-PT HITCH
ROW & EAME



**MT800B SERIES TRACTORS
HYDRAULIC SYSTEM**

793

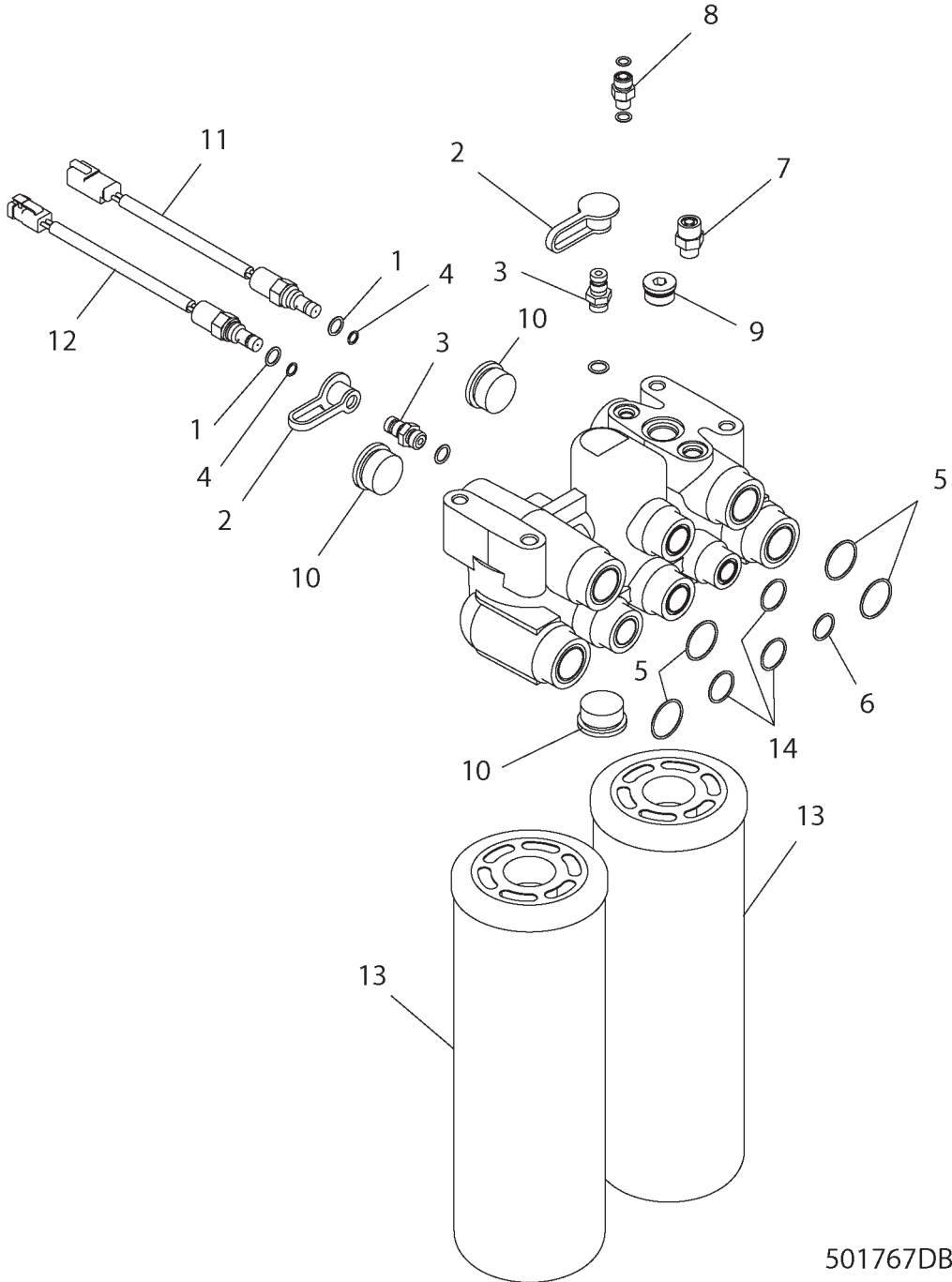
**CASE DRAIN GP-PIONEER - 502644D1
3-PT HITCH
ROW & EAME**

| ITEM | NUMBER | QTY | DESCRIPTION |
|------|------------|-----|--|
| - | 502644D1 | - | CASE DRAIN GP-PIONEER (NOT SERVICED, ORDER FIELD INSTALLED) |
| - | 502683D1 | - | CASE DRAIN GP-PIONEER (FIELD INSTALLED) |
| 1 | 200-2992 | 1 | BRACKET |
| 2 | 200-2993 | 1 | BRACKET |
| 3 | 208-9928 | 1 | BRACKET AS |
| 4 | 7774664 | 4 | NUT-M10-1.5,CL10.9,ZN,H,REG |
| 5 | 400039X1 | 2 | BOLT-M10X1.5X25 ZNDI HHD 10.9 |
| 6 | 400287X1 | 6 | WASHER-HARD 11IDX21ODX2.5 ZND1 |
| 7 | 400339X1 | 2 | WASHER-HARD |
| 8 | 400357X1 | 2 | WASHER-HARD-M12X25.50DX3THK |
| 9 | 400564X1 | 1 | PLUG-DUST-23.4 DIA |
| 10 | 400700X1 | 2 | CLIP LOOP 28.58ID |
| 11 | 400963X1 | 1 | CONNECTOR AS-STR -8STOR-12ORFS |
| | CH3K-0360 | 1 | SEAL-O-RING (16.36IDX2.21DIA) |
| | 400366X1 | 1 | SEAL-O-RING (23.47ODX2.95DIA) |
| 12 | 400965X1 | 1 | CONNECTOR AS-STR 10STOR-12ORFS |
| | 400319X1 | 1 | SEAL-O-RING (19.18ID X 2.46DIA) |
| | 400366X1 | 1 | SEAL-O-RING (22.5OD X 1.78DIA) |
| 13 | 400967X1 | 1 | ELBOW AS-45 -12STOR-12ORFS |
| | 400366X1 | 1 | SEAL-O-RING (22.5OD X 1.78DIA) |
| | 400416X1 | 1 | SEAL-O-RING (23.47ID X 2.95DIA) |
| 14 | 400968X1 | 2 | SNAP RING EXT |
| 15 | 502468D1 | 1 | HOSE AS (FOR 19.1 ID SAE |
| 16 | 502469D1 | 1 | HOSE AS |
| 17 | 502471D1 | 1 | COUPLER AS-PIONEER-SIZE 8 |
| | 400569X1 | 1 | SEAL-O-RING (20.22X3.53) |
| | 400568X1 | 1 | RETAINER (20.81IDX26.6ODX0.81THK) |
| 18 | 502679D1 | 1 | FILTER GP-HYD |
| | 501771D1 | 1 | FILTER AS-HYD |
| 19 | CH148-8347 | 1 | ELBOW AS-90DEG 12STOR X 12ORFS |
| | 400366X1 | 1 | SEAL-O-RING (22.5IDX1.78DIA) |
| | 400416X1 | 1 | SEAL-O-RING (23.47IDX2.95DIA) |
| 20 | 400053X1 | 2 | BOLT-M8X1.25X20 ZNDI HHD 10.9 |
| 21 | 400063X1 | 2 | BOLT-M12X1.75X60 ZNDI HHD 10.9 |

502644DA
PR: t05k07n15a0026

MT800B SERIES TRACTORS
HYDRAULIC SYSTEM

FILTER GP-OIL (BASIC) - 501767D1



501767DB

**MT800B SERIES TRACTORS
HYDRAULIC SYSTEM**

795

FILTER GP-OIL (BASIC) - 501767D1

| ITEM | NUMBER | QTY | DESCRIPTION |
|------|----------|-----|-----------------------------------|
| - | 501767D1 | - | FILTER GP-OIL (BASIC) [A] |
| 1 | 400318X1 | 2 | SEAL-O-RING 11.89IDX1.98 |
| 2 | 400323X1 | 2 | CAP-DUST 12.6 DIA -RUBBER |
| 3 | 400324X1 | 2 | NIPPLE AS-QUICK DISC-4&ORING |
| | 400318X1 | 1 | SEAL-O-RING (11.89ID X 1.98) |
| 4 | 400360X1 | 2 | SEAL-O-RING 7.65 IDX1.78 DIA |
| 5 | 400365X1 | 4 | SEAL-O-RING 33.75 ODX1.78 DIA |
| 6 | 400366X1 | 1 | SEAL-O-RING 22.5 ODX1.78 DIA |
| 7 | 400367X1 | 1 | CONNECTOR AS-6 STOR -6 ORFS |
| | 400378X1 | 1 | SEAL-O-RING (12.83 ID X 1.78 DIA) |
| | 400318X1 | 1 | SEAL-O-RING (11.89 ID X 1.98 DIA) |
| 8 | 400368X1 | 2 | CONNECTOR AS (4STOR -4ORFS) |
| | 400361X1 | 1 | SEAL-O-RING (8.92ID X 1.83DIA) |
| | 400377X1 | 1 | SEAL-O-RING (11.23OD X 1.78DIA) |
| 9 | 400369X1 | 1 | PLUG AS-10 STOR ZN HSHD&ORING |
| | 400319X1 | 1 | SEAL-O-RING (19.18ID X 2.46) |
| | 400374X1 | 1 | PLUG (10STOR) |
| 10 | 400370X1 | 3 | PLUG AS-16 STOR ZN HSHD&ORING |
| | 400376X1 | 1 | SEAL-O-RING (29.74ID X 2.95) |
| | 400374X1 | 1 | PLUG (16STOR) |
| 11 | 500671D1 | 1 | SWITCH AS-PRESSURE |
| 12 | 500672D1 | 1 | SWITCH AS-PRESSURE |
| 13 | 501766D2 | 2 | FILTER ELEMENT-OIL |
| 14 | 400123X1 | 3 | SEAL-O RING-27.22ODX1.78 DIA |

[A] PART OF 158-2349 FILTER GP-MTG

501767DB
PR: t05b22n43d0338

796

MT800B SERIES TRACTORS
HYDRAULIC SYSTEM

HYDRAULIC AR
501809D1

NO ILLUSTRATION

NOTIF13

MT800B SERIES TRACTORS
HYDRAULIC SYSTEM

797

HYDRAULIC AR
501809D1

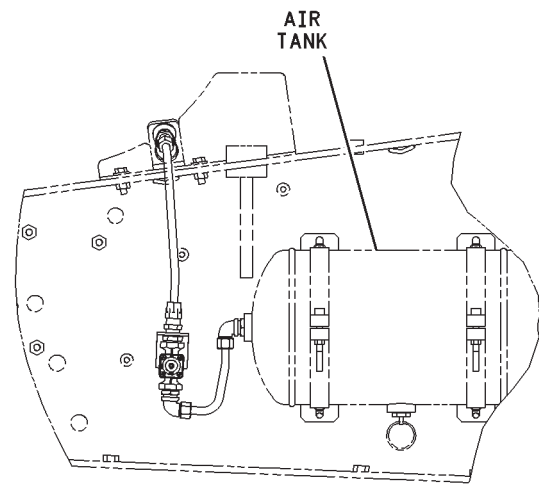
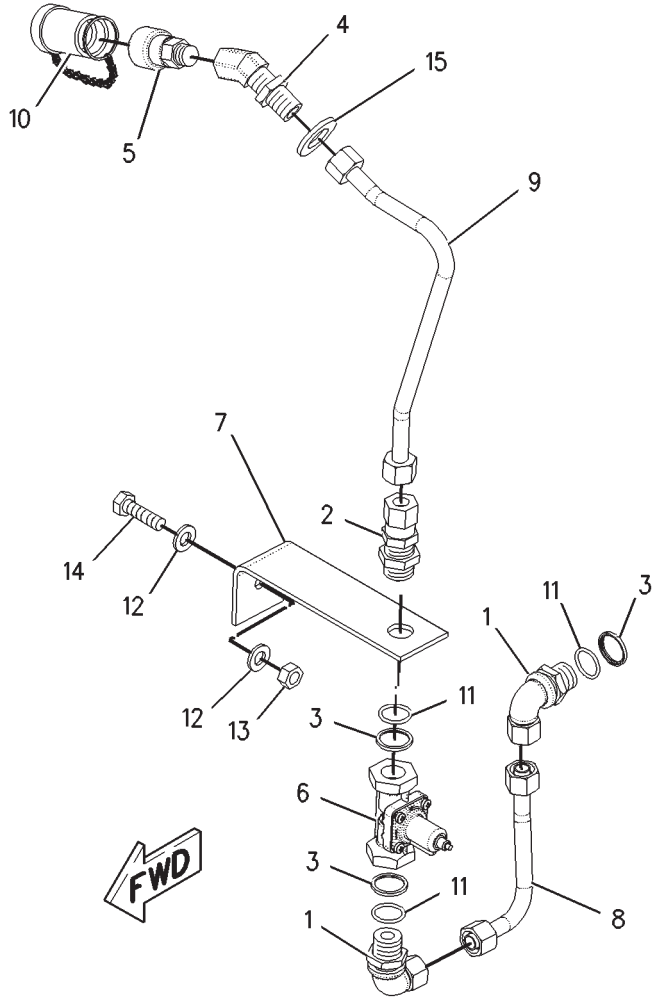
| ITEM | NUMBER | QTY | DESCRIPTION |
|------|----------|-----|---|
| - | 501809D1 | 1 | HYDRAULIC AR [A] (NOT SERVICED) |
| 1 | 158-2339 | 1 | MOUNTING GP-VALVE (NOT SERVICED) (SEE BREAKDOWN FOR COMPONENTS) |
| 2 | 158-2349 | 1 | FILTER & MTG GP-HYDRAULIC (NOT SERVICED) (SEE BREAKDOWN FOR COMPONENTS) |
| 3 | 502220D1 | 1 | LINES GP-HYDRAULIC (NOT SERVICED) (SEE BREAKDOWN FOR COMPONENTS) |
| 4 | 158-2393 | 1 | LINES GP-STEERING (NOT SERVICED) (SEE BREAKDOWN FOR COMPONENTS) |
| 5 | 158-2397 | 1 | PUMP & MTG GP-HYDRAULIC (NOT SERVICED) (SEE BREAKDOWN FOR COMPONENTS) |
| 6 | 501950D1 | 1 | LINES GP-HYDRAULI OIL (NOT SERVICED) (SEE BREAKDOWN FOR COMPONENTS) |

[A] PART OF:
501810D1; 501811D1 BASE AR-COMMON

NOTIF13
PR: t05b22n43d0339

MT800B SERIES TRACTORS
HYDRAULIC SYSTEM

LINES GP-COUPLER
190-0438



LEFT SIDE VIEW

1900438H

MT800B SERIES TRACTORS
HYDRAULIC SYSTEM

799

LINES GP-COUPLER
190-0438

| ITEM | NUMBER | QTY | DESCRIPTION |
|------|------------|-----|-------------------------------------|
| - | 190-0438 | - | LINES GP-COUPLER [A] (NOT SERVICED) |
| 1 | CH185-9753 | 2 | ELBOW AS-90DEG (M18XM22) |
| 2 | CH185-9763 | 1 | CONNECTOR |
| 3 | CH185-9773 | 3 | RING-BACKUP |
| 4 | CH187-9018 | 1 | ADAPTER-BULKHEAD (3/8-18XM18) |
| 5 | CH191-9311 | 1 | COUPLING |
| 6 | 200-4369 | 1 | VALVE-CHARGING |
| 7 | 209-7709 | 1 | BRACKET |
| 8 | 212-3601 | 1 | TUBE AS |
| 9 | 218-2803 | 1 | TUBE AS |
| 10 | 218-2806 | 1 | CAP-DUST |
| 11 | CH3E-6762 | 3 | SEAL-O-RING |
| 12 | 400287X1 | 2 | WASHER-HARD (11X21X2.5) |
| 13 | 7774664 | 1 | NUT (M10X1.5) |
| 14 | 400059X1 | 1 | BOLT (M10X1.5X35MM) |
| 15 | CH8T-4994 | 1 | WASHER-HARD (20X36.5X3.5) |

[A] PART OF:

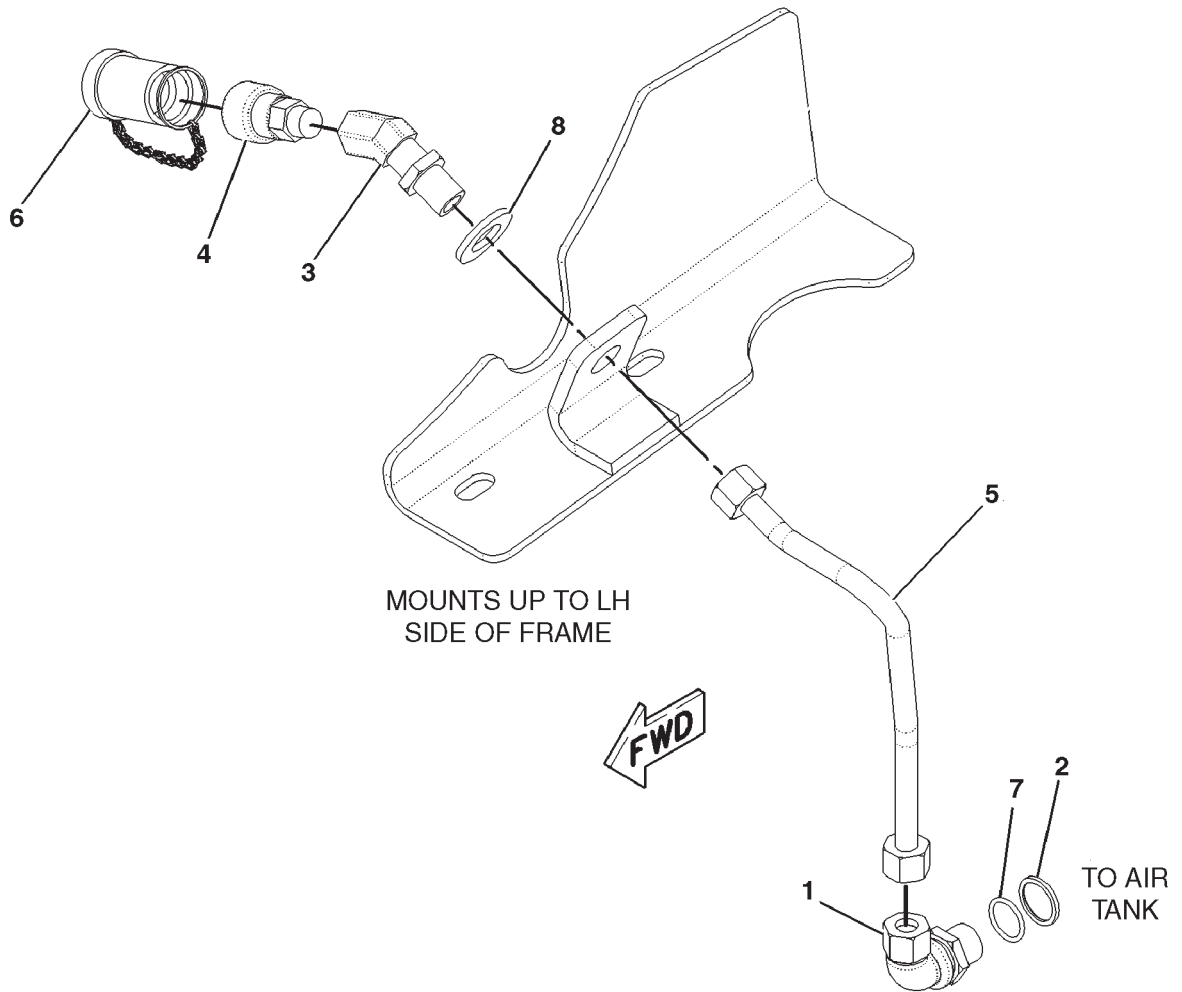
185-8860;186-1620;192-6390 BRAKE AR
192-6400;502357D1;502358D1 BRAKE AR
190-0439;190-0440;502359D1 TANK AR

1900438H
PR: t05b22n43d0340

800

MT800B SERIES TRACTORS
HYDRAULIC SYSTEM

LINES GP-COUPLER
210-0851



0889197A

MT800B SERIES TRACTORS
HYDRAULIC SYSTEM

801

LINES GP-COUPLER
210-0851

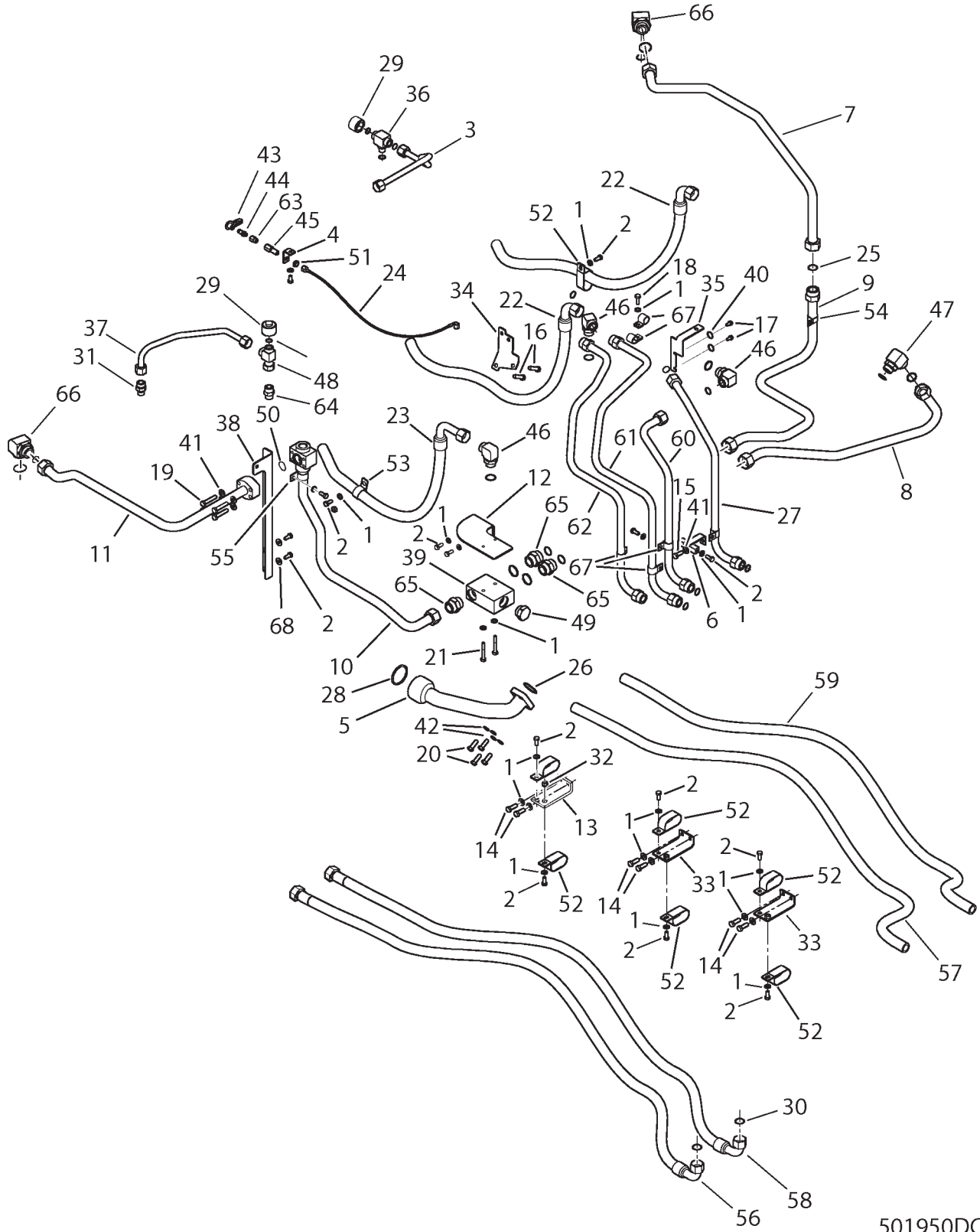
| ITEM | NUMBER | QTY | DESCRIPTION |
|------|------------|-----|-------------------------------------|
| - | 210-0851 | - | LINES GP-COUPLER [A] (NOT SERVICED) |
| 1 | CH185-9753 | 1 | ELBOW AS-90DEG (M18XM22) |
| 2 | CH185-9773 | 1 | RING-BACKUP |
| 3 | CH187-9018 | 1 | ADAPTER |
| 4 | CH191-9311 | 1 | COUPLING |
| 5 | 218-2805 | 1 | TUBE ASM |
| 6 | 218-2806 | 1 | CAP-DUST |
| 7 | CH3E-6762 | 1 | SEAL-O-RING |
| 8 | CH8T-4994 | 1 | WASHER-HARD (20X36.5X3.5) |

[A] PART OF:
210-5703 TANK AR-AIR
210-5704 TANK AR-AIR
502360D1 TANK AR-AIR

0889197A
PR: t05b22n43d0341

MT800B SERIES TRACTORS
HYDRAULIC SYSTEM

LINES GP-HYD OIL
501950D1



**MT800B SERIES TRACTORS
HYDRAULIC SYSTEM**

803

**LINES GP-HYD OIL
501950D1**

| ITEM | NUMBER | QTY | DESCRIPTION |
|------|------------|-----|-------------------------------------|
| - | 501950D1 | - | LINES GP-HYD OIL [A] (NOT SERVICED) |
| 1 | 400287X1 | 23 | WASHER-HARD 11IDX21ODX2.5 ZND1 |
| 2 | 400039X1 | 15 | BOLT-M10X1.5X25 ZNDI HDD 10.9 |
| 3 | 197-5414 | 1 | TUBE AS. |
| 4 | 198-4265 | 1 | BRACKET |
| 5 | 207-7554 | 1 | TUBE |
| 6 | 219-6551 | 1 | BRACKET AS. |
| 7 | 223-6530 | 1 | TUBE AS |
| 8 | 224-3945 | 1 | TUBE AS. |
| 9 | 224-3946 | 1 | TUBE AS. |
| 10 | 225-0175 | 1 | TUBE AS. |
| 11 | 225-0176 | 1 | TUBE AS. |
| 12 | 227-5269 | 1 | MANIFOLD |
| 13 | 233-8642 | 1 | BRACKET |
| 14 | 400040X1 | 5 | BOLT-M10X1.5X20 ZNDI HDD 10.9 |
| 15 | 400041X1 | 1 | BOLT-M12X1.75X30 ZNDI HDD 10.9 |
| 16 | 400051X1 | 2 | BOLT-M12X1.75X45 ZNDI HDD 10.9 |
| 17 | 400053X1 | 2 | BOLT-M8X1.25X20 ZNDI HDD 10.9 |
| 18 | 400058X1 | 1 | BOLT-M10X1.5X30 ZNDI HDD 10.9 |
| 19 | 400063X1 | 4 | BOLT-M12X1.75X60 ZNDI HDD 10.9 |
| 20 | 400064X1 | 6 | BOLT-M12X1.75X35 ZNDI HDD 10.9 |
| 21 | 400066X1 | 2 | BOLT-M10X1.5X70 ZNDI HDD 10.9 |
| 22 | CH210-0181 | 2 | HOSE AS-25.4ID SAE 100R1AT |
| 23 | CH210-0183 | 1 | HOSE AS-25.4ID SAE 100R1AT |
| 24 | CH211-0912 | 1 | HOSE AS-6.3ID SAE 100R1AT |
| 25 | 400365X1 | 1 | SEAL-O-RING 33.75 ODX1.78 DIA |
| 26 | 400591X1 | 1 | SEAL-O-RING 50.39 IDX3.53 DIA |
| 27 | 500523D1 | 1 | TUBE AS. |
| 28 | 400590X1 | 1 | SEAL-O-RING 66.04 IDX5.33 DIA |
| 29 | 400107X1 | 2 | CAP AS 19.05 OD TUBE |
| 30 | 400123X1 | 10 | SEAL-O RING-27.22ODX1.78 DIA |
| 31 | 500956D1 | 1 | CONNECTOR AS-ORFS |
| | 400319X1 | 1 | SEAL-O-RING 19.18IDX2.46DIA |
| | 400366X1 | 1 | SEAL-O-RING 22.5ODX1.78DIA |
| 32 | 7774664 | 2 | NUT-M10-1.5,CL10.9,ZN,H,REG |
| 33 | 209-0141 | 2 | BRACKET AS |
| 34 | 210-0184 | 1 | BRACKET AS |
| 35 | 210-7677 | 1 | PLATE AS |
| 36 | 211-0535 | 1 | TEE AS-10 STOR-12 ORFS |
| | 400319X1 | 1 | SEAL-O-RING 19.18IDX2.46DIA |
| | 400366X1 | 2 | SEAL-O-RING 22.5ODX1.78DIA |
| 37 | 219-8787 | 1 | TUBE AS. |
| 38 | 226-1882 | 1 | PLATE AS |
| 39 | 227-5270 | 1 | BRACKET AS. |
| 40 | 400339X1 | 2 | WASHER-HARD |
| 41 | 400357X1 | 7 | WASHER-HARD-M12X25.50DX3THK |
| 42 | 400358X1 | 4 | WASHER-HARD-7/16X22.50DX2.5THK |
| 43 | 400363X1 | 1 | CAP-DUST-12.6 DIA -RUBBER |
| 44 | 400577X1 | 1 | VALVE AS-4 3500 KPA |
| | 400361X1 | 1 | SEAL-O-RING (8.92ID X 1.83DIA) |
| 45 | 400578X1 | 1 | ADAPTER AS-BLKDH-4ORFS-6PORT |
| | 400377X1 | 1 | SEAL-O-RING (11.23OD X 1.78DIA) |

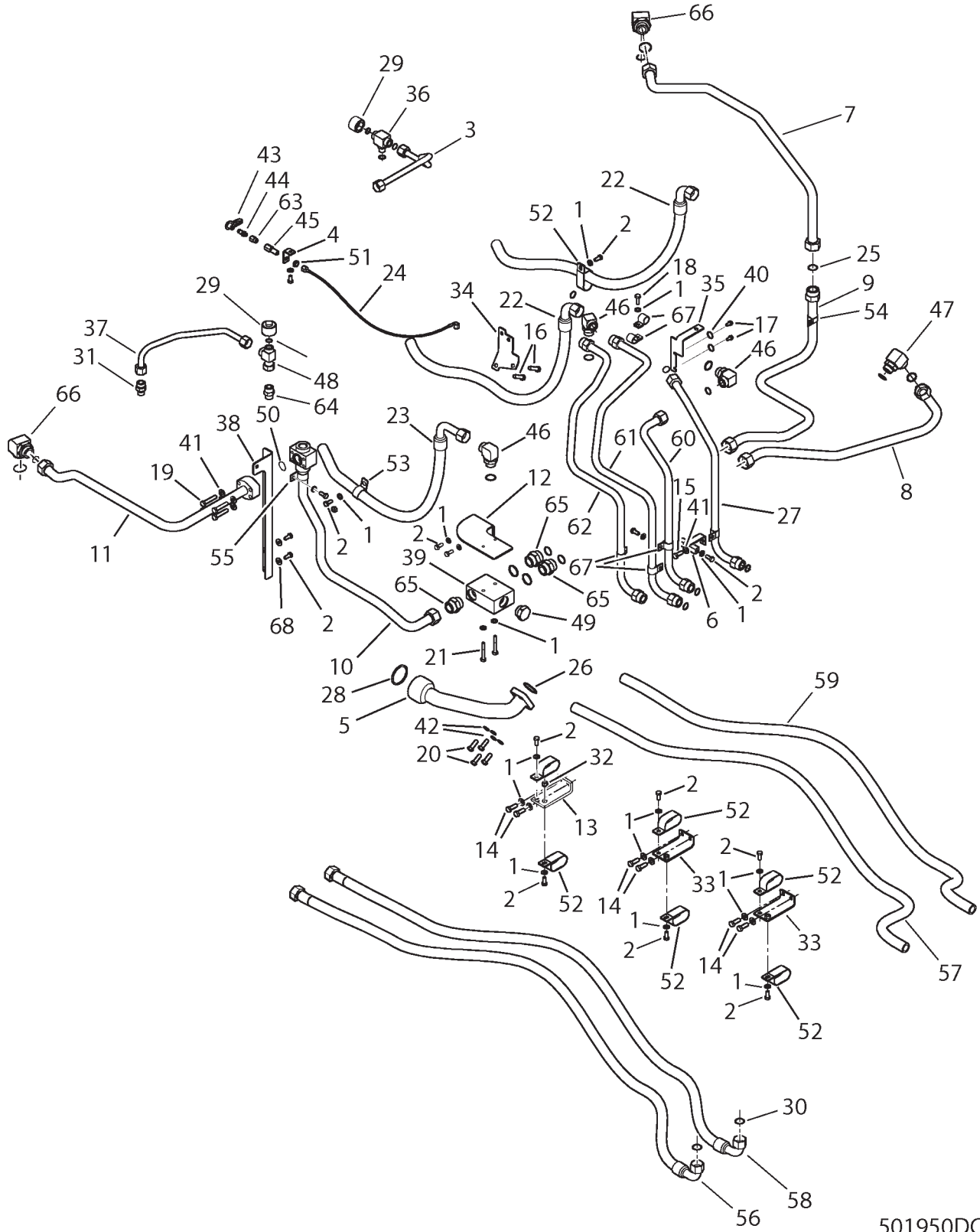
CONTINUED

[A] PART OF 501809D1 HYD AR-COMMON

501950DC
PR: t05b22n43d0342

MT800B SERIES TRACTORS
HYDRAULIC SYSTEM

LINES GP-HYD OIL
501950D1



**MT800B SERIES TRACTORS
HYDRAULIC SYSTEM**

805

**LINES GP-HYD OIL
501950D1**

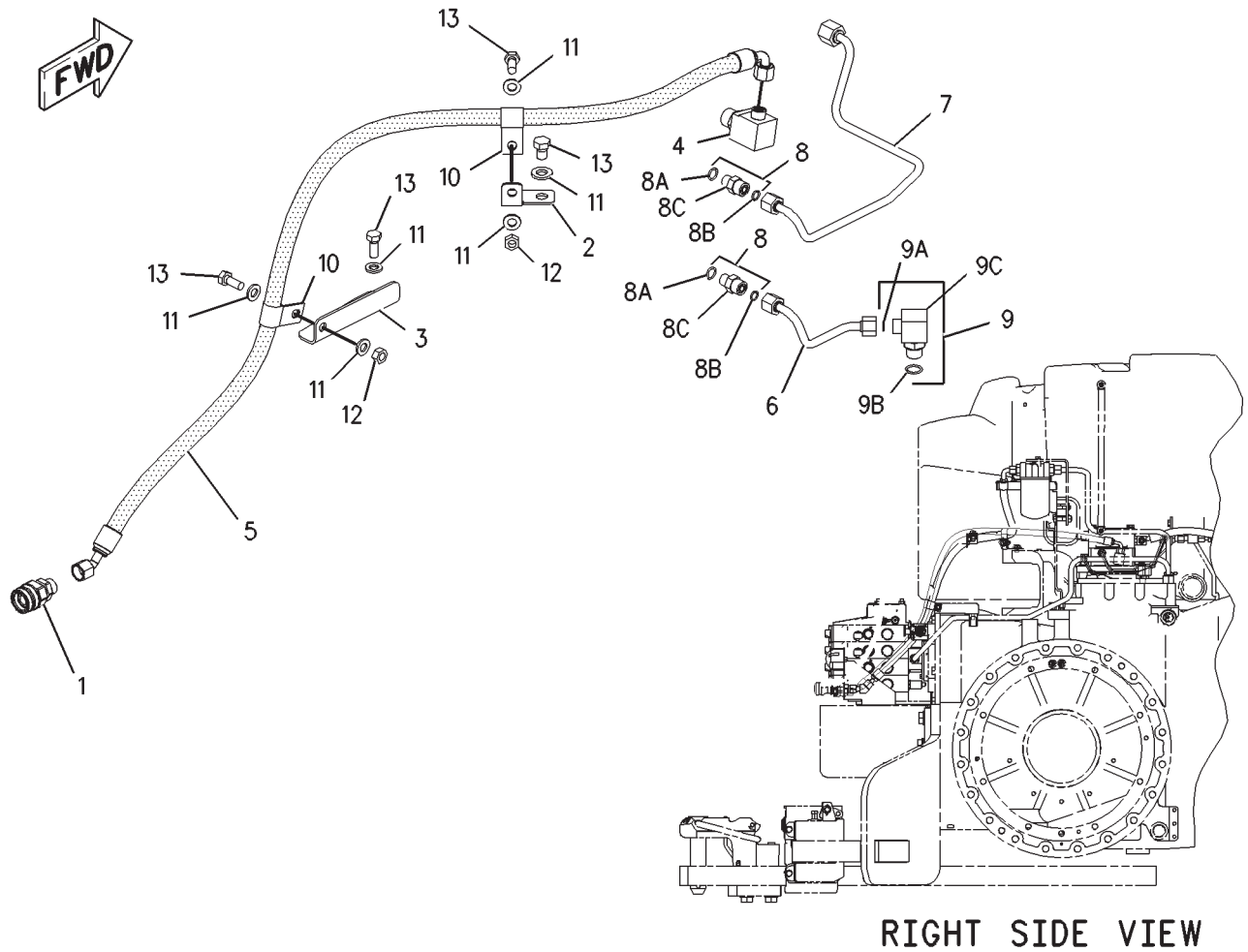
| ITEM | NUMBER | QTY | DESCRIPTION |
|------|------------|-----|-------------------------------------|
| - | 501950D1 | - | LINES GP-HYD OIL [A] (NOT SERVICED) |
| 46 | 400580X1 | 3 | ELBOW AS-90DEG 16STOR 16ORFS |
| | 400376X1 | 1 | SEAL-O-RING (29.74IDX2.95DIA) |
| | 400123X1 | 1 | SEAL-O-RING (27.22ODX1.78DIA) |
| 47 | 400582X1 | 1 | ELBOW AS-90DEG 16STOR 20ORFS |
| | 400365X1 | 1 | SEAL-O-RING (33.57ODX1.78DIA) |
| | 400376X1 | 1 | SEAL-O-RING (29.74IDX2.95DIA) |
| 48 | 400584X1 | 1 | TEE AS-SWIVEL 12 ORFS |
| | 400366X1 | 1 | SEAL-O-RING 22.5 ODX1.78 DIA |
| 49 | 400586X1 | 1 | PLUG AS-STR 20 STOR |
| | 400593X1 | 1 | SEAL-O-RING (33.57ODX1.78DIA) |
| 50 | 400588X1 | 1 | SEAL-RECT 45 OD 4.95 THK |
| 51 | 400589X1 | 1 | NUT-LOCK 9/16-18 ZNDI BLKHD |
| 52 | 400595X1 | 7 | CLIP-38.1 ID DBL M12 OR 7/16 |
| 53 | 400596X1 | 1 | CLIP-38.1 ID M14 OR 1/2 |
| 54 | 400597X1 | 1 | CLIP-31.75 ID M10 OR 3/8 |
| 55 | 400598X1 | 1 | CLIP-31.8 ID M10 OR 3/8 |
| 56 | 501037D1 | 1 | HOSE AS (FOR 25.4 ID SAE |
| 57 | 501038D1 | 1 | HOSE AS (FOR 25.4 ID SAE |
| 58 | 501039D1 | 1 | HOSE AS (FOR 25.4 ID SAE |
| 59 | 501040D1 | 1 | HOSE AS (FOR 25.4 ID SAE |
| 60 | 501043D1 | 1 | TUBE AS |
| 61 | 501938D1 | 1 | TUBE AS |
| 62 | 501939D1 | 1 | TUBE AS |
| 63 | CH148-8305 | 1 | ADAPTER AS-6 STOR X 4 STOR |
| | 400318X1 | 1 | SEAL-O-RING (11.89IDX1.98DIA) |
| 64 | CH148-8327 | 1 | CONNECTOR AS-12 ORFSX 12STOR |
| | 400416X1 | 1 | SEAL-O-RING 23.47IDX2.95DIA |
| | 400366X1 | 1 | SEAL-O-RING 22.5 ODX1.78 DIA |
| 65 | CH148-8334 | 3 | CONNECTOR AS-20 ORFS X 20 STOR |
| | 400365X1 | 1 | SEAL-O-RING (29.74IDX2.95DIA) |
| | 400593X1 | 1 | SEAL-O-RING (33.57ODX1.78DIA) |
| 66 | CH148-8356 | 2 | ELBOW AS-90-20ORFS X 20STOR |
| | 400593X1 | 1 | SEAL-O-RING (37.46IDX3DIA) |
| | 400365X1 | 1 | SEAL-O-RING (33.57ODX1.78DIA) |
| 67 | CH4S-1962 | 6 | CLIP-LOOP 25.4 ID |
| 68 | CH7X-7729 | 2 | WASHER-11IDX5ODX3MM |

PART OF 501809D1 HYD AR-COMMON

501950DC
PR: t05b22n43d0342

MT800B SERIES TRACTORS
HYDRAULIC SYSTEM

LINES GP-HYDRAULIC OIL
193-1558



MT800B SERIES TRACTORS
HYDRAULIC SYSTEM

807

LINES GP-HYDRAULIC OIL
193-1558

| ITEM | NUMBER | QTY | DESCRIPTION |
|------|------------|-----|--|
| - | 193-1558 | - | LINES GP-HYDRAULIC [A] (NOT SERVICED) |
| 1 | CH185-3959 | 1 | COUPLER GP-QUICK (INCLS SEAL) |
| | 400378X1 | 1 | SEAL-O-RING |
| - | CH223-9254 | 1 | CAP-DUST (USE W/ITEM 1) (NOT SHOWN) |
| 2 | 200-2992 | 1 | BRACKET |
| 3 | 200-2993 | 1 | BRACKET |
| 4 | CH205-3692 | 1 | ELBOW AS |
| | 400378X1 | 1 | SEAL-O-RING (12.83OD X 1.78 DIA) |
| | 400319X1 | 1 | SEAL-O-RING (19.18ID X 2.46 DIA) |
| 5 | CH208-9850 | 1 | HOSE AS |
| 6 | 208-9875 | 1 | TUBE AS |
| 7 | 208-9878 | 1 | TUBE AS |
| 8 | 400367X1 | 2 | CONNECTOR AS 6 STOR-6 ORFS |
| 8A | 400318X1 | 1 | SEAL-O-RING (11.89ID X 1.98 DIA) |
| 8B | 400378X1 | 1 | SEAL-O-RING (12.83OD X 1.78 DIA) |
| 8C | | 1 | CONNECTOR (ORDER ITEM 8) |
| 9 | CH148-8374 | 1 | ELBOW AS (NOT SERVICED-ORDER COMPONENTS) |
| 9A | 400378X1 | 1 | SEAL-O-RING (12.83OD X 1.78 DIA) |
| 9B | CH3K-0360 | 1 | SEAL-O-RING (16.36ID X 2.21 DIA) |
| 9C | | 1 | ELBOW (ORDER ITEM 9) |
| 10 | CH4D-7735 | 2 | CLIP |
| 11 | 400287X1 | 6 | WASHER-HARD (11X21X2.5) |
| 12 | 7774664 | 4 | NUT (M10X1.5) |
| 13 | 400039X1 | 2 | BOLT (M10X1.5X25MM) |

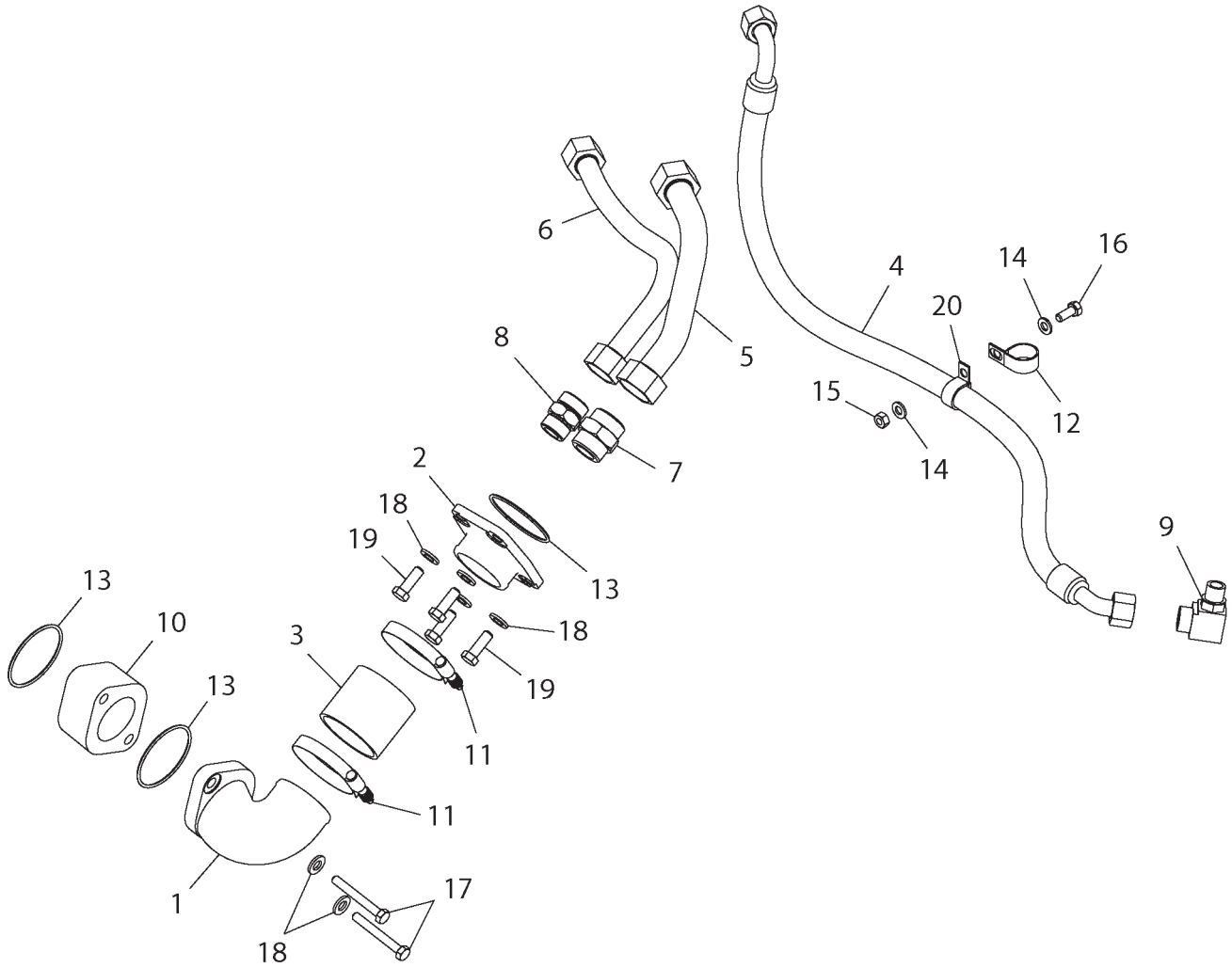
[A] PART OF:
193-8199; 193-8200 VALVE AR
209-3689 KIT-HYD TRAILER BRAKE

00857381
PR: t05b22n43d0343

808

MT800B SERIES TRACTORS
HYDRAULIC SYSTEM

LINES GP-HYDRAULIC OIL - 209-8325
ROW & EAME ONLY



2098325A

**MT800B SERIES TRACTORS
HYDRAULIC SYSTEM**

809

**LINES GP-HYDRAULIC OIL - 209-8325
ROW & EAME ONLY**

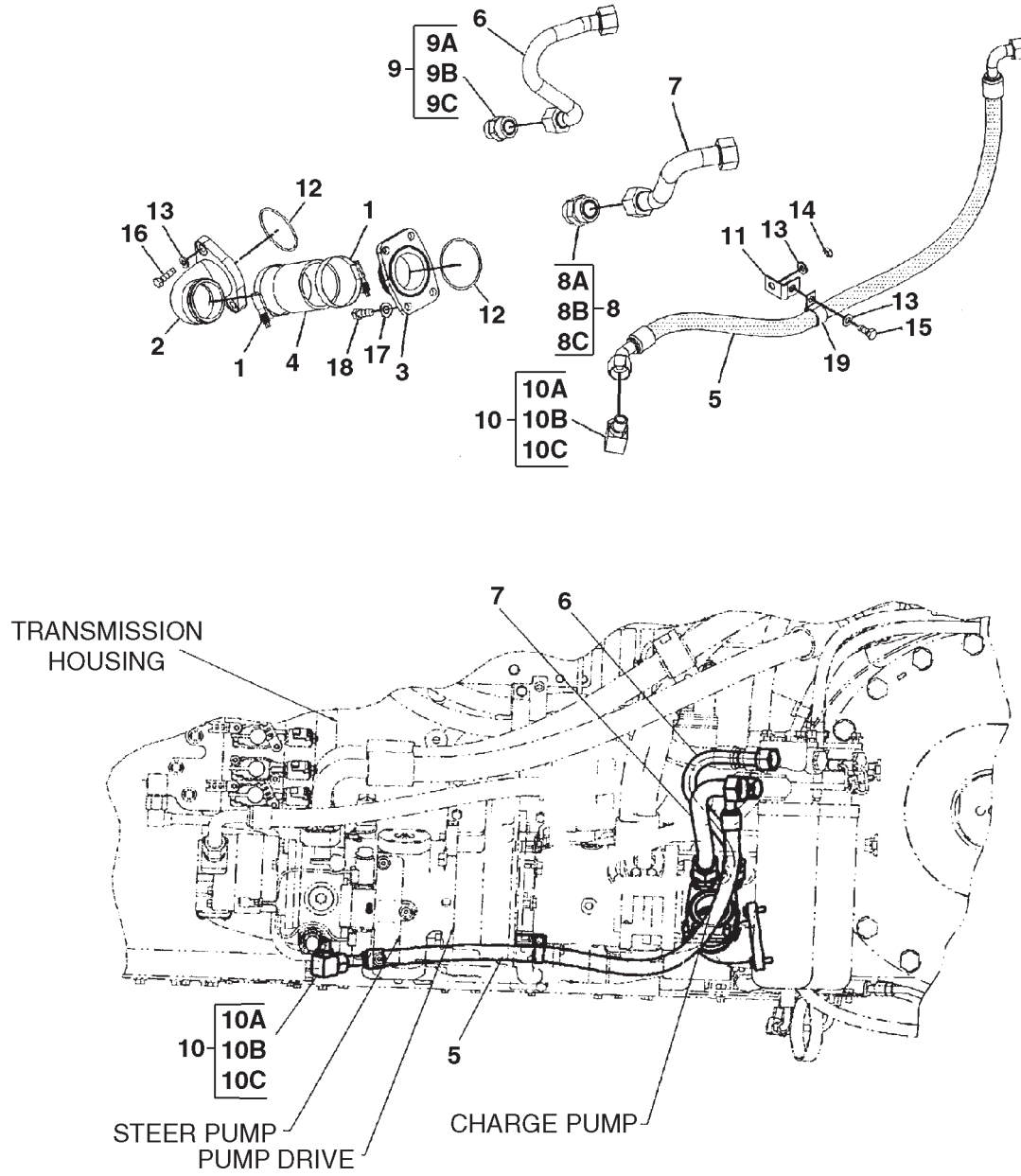
| ITEM | NUMBER | QTY | DESCRIPTION |
|------|------------|-----|-------------------------------------|
| - | 209-8325 | - | LINES GP-HYD OIL [A] (NOT SERVICED) |
| 1 | CH207-5359 | 1 | TUBE |
| 2 | CH207-5360 | 1 | TUBE |
| 3 | CH208-9844 | 1 | HOSE |
| 4 | CH210-0159 | 1 | HOSE AS-19.0 ID SAE 100R1 |
| 5 | 217-4156 | 1 | TUBE AS. |
| 6 | 217-4157 | 1 | TUBE AS. |
| 7 | CH148-8334 | 1 | CONNECTOR AS-20 ORFS X 20 STOR |
| | 400365X1 | 1 | SEAL-O-RING (29.74IDX2.95DIA) |
| | 400593X1 | 1 | SEAL-O-RING (33.57ODX1.78DIA) |
| 8 | CH148-8335 | 1 | CONNECTOR AS.-16 STORX16 ORFS |
| | 400376X1 | 1 | SEAL-O-RING |
| | 400123X1 | 1 | SEAL-O RING-27.22ODX1.78 DIA |
| 9 | CH148-8388 | 1 | ELBOW-90 DEG 10 STORX12 ORFS |
| | 400319X1 | 1 | SEAL-O-RING (11.89X1.98) |
| | 400366X1 | 1 | SEAL-O-RING |
| 10 | 224-1398 | 1 | SPACER |
| 11 | 400359X1 | 2 | CLAMP-HOSE,SST 70-92X16 |
| 12 | 400597X1 | 1 | CLIP-31.75 ID M10 OR 3/8 |
| 13 | 400103X1 | 3 | SEAL-O RING-82.14IDX3.53 DIA |
| 14 | 400287X1 | 2 | WASHER-HARD 11IDX21ODX2.5 ZND1 |
| 15 | 7774664 | 1 | NUT-M10-1.5,CL10.9,ZN,H,REG |
| 16 | 400039X1 | 1 | BOLT-M10X1.5X25 ZNDI HDD 10.9 |
| 17 | 400044X1 | 2 | BOLT-M10X1.5X80 ZNDI HDD 10.9 |
| 18 | 400357X1 | 6 | WASHER-HARD-M12X25.50DX3THK |
| 19 | 400064X1 | 4 | BOLT-M12X1.75X35 ZNDI HDD 10.9 |
| 20 | 400700X1 | 1 | CLIP LOOP 28.58ID |

[A] PART OF 180-0184 PUMP AR

2098325A
PR: t05k07n15a0027

MT800B SERIES TRACTORS
HYDRAULIC SYSTEM

LINES GP-HYDRAULIC - 209-8326
(FOR USE W/85CC CAPACITY CHARGE PUMP)



**MT800B SERIES TRACTORS
HYDRAULIC SYSTEM**

811

**LINES GP-HYDRAULIC - 209-8326
(FOR USE W/85CC CAPACITY CHARGE PUMP)**

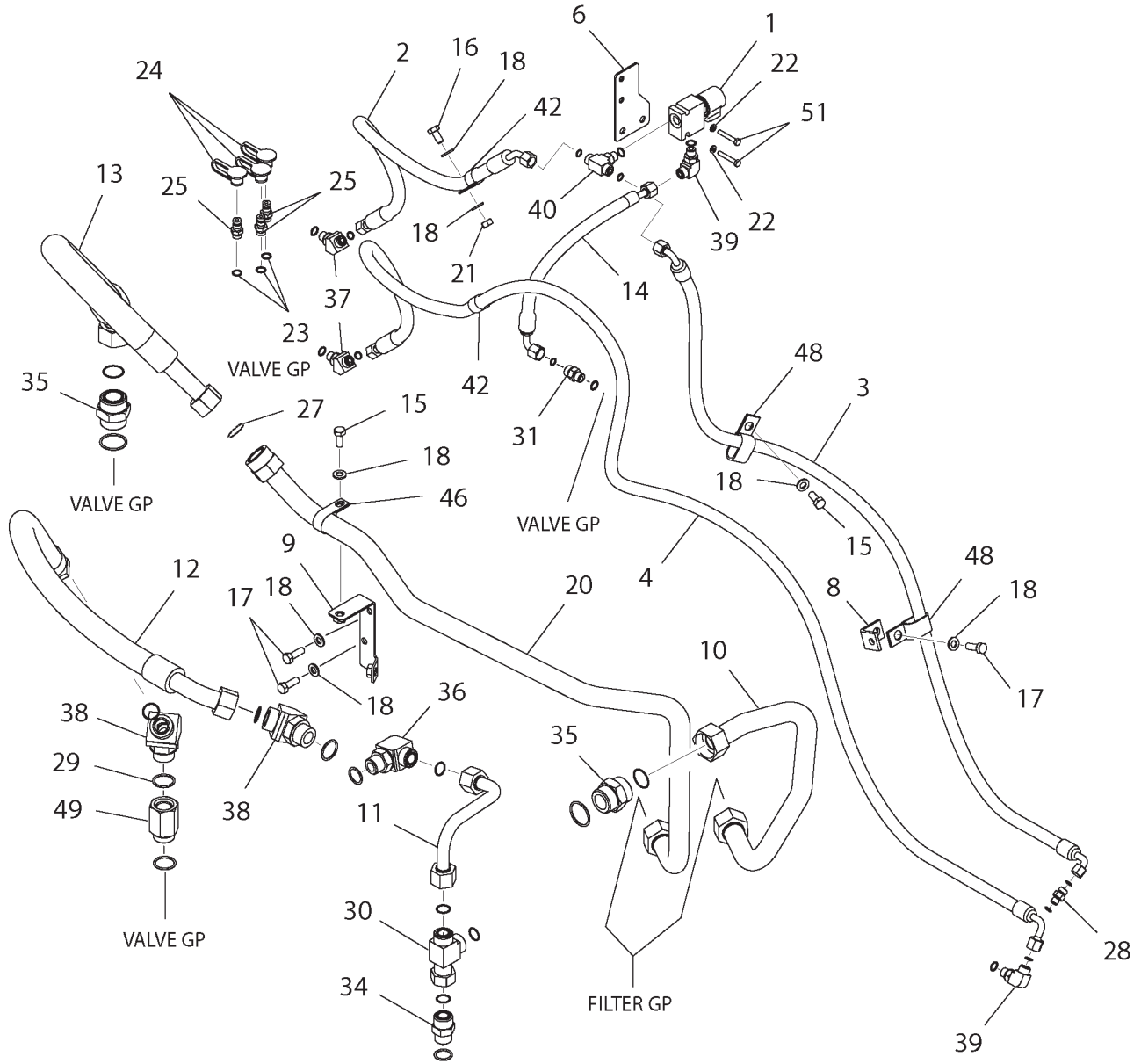
| ITEM | NUMBER | QTY | DESCRIPTION |
|------|------------|-----|---------------------------------------|
| - | 209-8326 | - | LINES GP-HYDRAULIC [A] (NOT SERVICED) |
| 1 | 400359X1 | 2 | CLAMP-HOSE |
| 2 | CH207-5359 | 1 | TUBE |
| 3 | CH207-5360 | 1 | TUBE |
| 4 | CH208-9844 | 1 | HOSE (7.5CM) |
| 5 | CH210-0159 | 1 | HOSE ASM |
| 6 | 219-7208 | 1 | TUBE ASM |
| 7 | 219-7209 | 1 | TUBE ASM |
| 8 | CH148-8334 | 1 | CONNECTOR AS (20ORFSX20STOR) |
| 8A | 400593X1 | 1 | SEAL-O-RING (33.57ODX1.78DIA) |
| 8B | 400365X1 | 1 | SEAL-O-RING (29.74IDX2.95DIA) |
| 8C | | 1 | CONNECTOR (ORDER ITEM 8) |
| 9 | CH148-8335 | 1 | CONNECTOR AS.-16 STORX16 ORFS |
| 9A | 400376X1 | 1 | SEAL-O-RING |
| 9B | 400123X1 | 1 | SEAL-O RING-27.22ODX1.78 DIA |
| 9C | | 1 | CONNECTOR (ORDER ITEM 9) |
| 10 | CH148-8388 | 1 | ELBOW-90 DEG 10 STORX12 ORFS |
| 10A | 400319X1 | 1 | SEAL-O-RING (11.89X1.98) |
| 10B | | 1 | ELBOW (ORDER ITEM 10) |
| 10C | 400366X1 | 1 | SEAL-O-RING |
| 11 | 400597X1 | 1 | CLIP-LOOP (31.75ID) |
| 12 | 400103X1 | 2 | SEAL-O-RING |
| 13 | 400287X1 | 4 | WASHER-HARD (11X21X2.5) |
| 14 | 7774664 | 1 | NUT-WELD (M10X1.5) |
| 15 | 400039X1 | 1 | BOLT (M10X1.5X25MM) |
| 16 | 400059X1 | 3 | BOLT (M10X1.5X35MM) |
| 17 | 400357X1 | 4 | WASHER-HARD (M12X25.5X3) |
| 18 | 400064X1 | 4 | BOLT (M12X1.75X35MM) |
| 19 | 400700X1 | 1 | CLIP (28.58ID) |

[A] PART OF 180-0185 PUMP AR-HYDRAULIC

0889153A
PR: t05b22n43d0344

MT800B SERIES TRACTORS
HYDRAULIC SYSTEM

LINES GP-HYD - 502220D1
1 OF 2



MT800B SERIES TRACTORS
HYDRAULIC SYSTEM

813

LINES GP-HYD - 502220D1
1 OF 2

| ITEM | NUMBER | QTY | DESCRIPTION |
|------|------------|-----|---------------------------------|
| - | 502220D1 | - | LINES GP-HYD [A] (NOT SERVICED) |
| 1 | 207-0745 | 1 | VALVE GP- SOL |
| 2 | CH208-9972 | 1 | HOSE AS-9.5 ID SAE 100R12 |
| 3 | CH208-9973 | 1 | HOSE AS-9.5 ID SAE 100R2AT |
| 4 | CH208-9974 | 1 | HOSE AS-9.5 ID SAE 100R2AT |
| 6 | 211-1850 | 1 | BRACKET AS. |
| 8 | 211-3715 | 1 | BRACKET AS. |
| 9 | 211-4410 | 1 | BRACKET AS. |
| 10 | 211-8315 | 1 | TUBE AS. |
| 11 | 217-7365 | 1 | TUBE AS. |
| 12 | CH219-7932 | 1 | HOSE AS-25.4ID SAE 100R12 |
| 13 | CH225-5203 | 1 | HOSE AS-31.8ID SAE 100R1AT |
| 14 | 230-9563 | 1 | HOSE AS. |
| 15 | 400039X1 | 2 | BOLT-M10X1.5X25 ZNDI HHD 10.9 |
| 16 | 400040X1 | 1 | BOLT-M10X1.5X20 ZNDI HHD 10.9 |
| 17 | 400058X1 | 3 | BOLT-M10X1.5X30 ZNDI HHD 10.9 |
| 18 | 400287X1 | 7 | WASHER-HARD 11IDX21ODX2.5 ZND1 |
| 20 | 500129D1 | 1 | TUBE AS. |
| 21 | 7774664 | 2 | NUT-M10-1.5,CL10.9,ZN,H,REG |
| 22 | 400310X1 | 2 | WASHER |
| 23 | 400318X1 | 1 | SEAL-O-RING 11.89IDX1.98 |
| 24 | 400323X1 | 3 | CAP-DUST 12.6 DIA -RUBBER |
| 25 | 400324X1 | 3 | NIPPLE AS-QUICK DISC-4&ORING |
| | 400318X1 | 1 | SEAL-O-RING (11.89ID X 1.98) |
| 27 | 400365X1 | 1 | SEAL-O-RING 33.75 ODX1.78 DIA |
| 28 | 400368X1 | 2 | CONNECTOR AS (4STOR -4ORFS) |
| | 400361X1 | 1 | SEAL-O-RING (8.92ID X 1.83DIA) |
| | 400377X1 | 1 | SEAL-O-RING (11.23OD X 1.78DIA) |
| 29 | 400376X1 | 1 | SEAL-O-RING 29.74 IDX2.95 DIA |

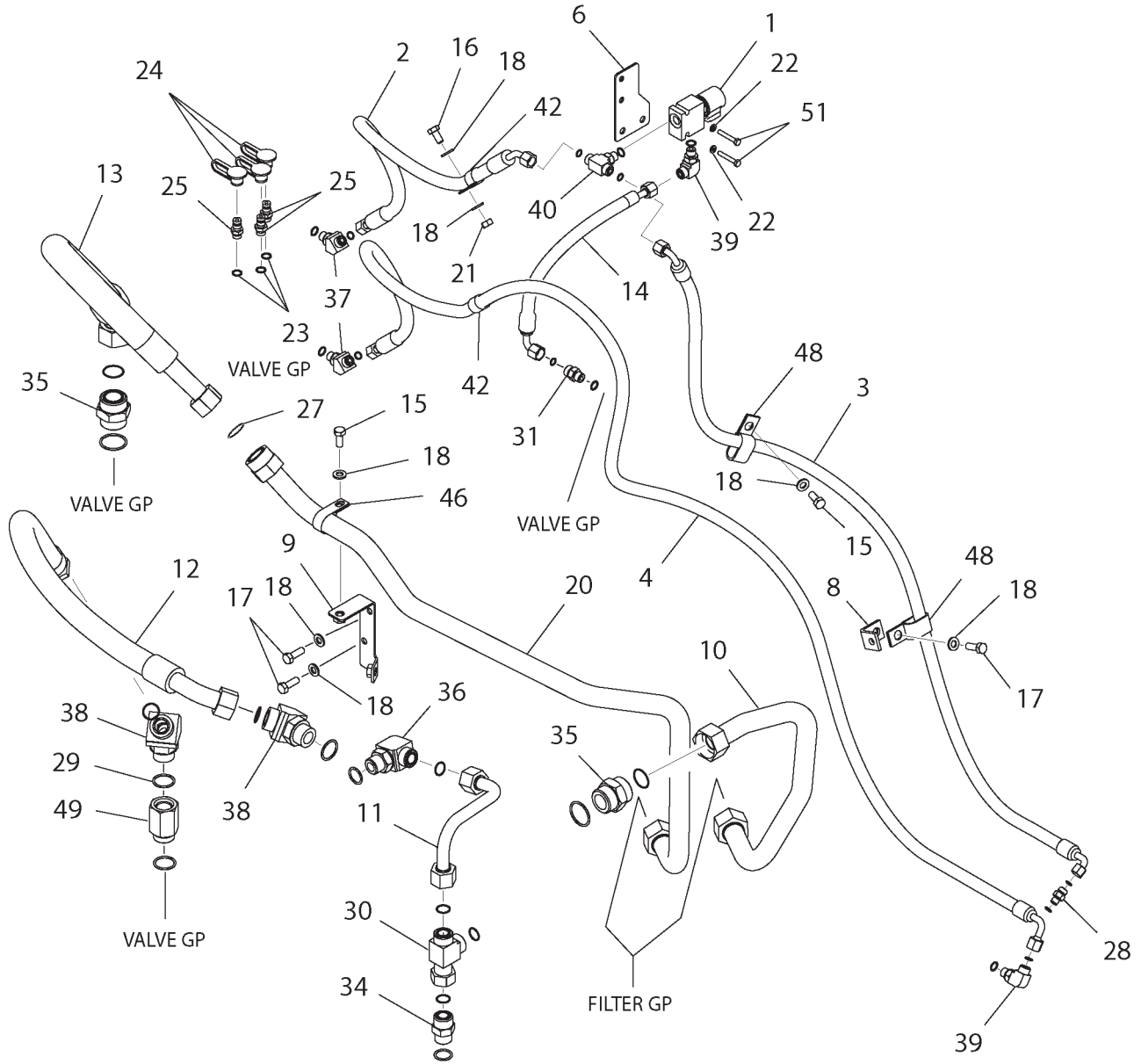
CONTINUED

[A] PART OF: 501809D1 HYD AR-COMMON

502220DA
PR: t05b22n43d0345

MT800B SERIES TRACTORS
HYDRAULIC SYSTEM

LINES GP-HYD - 502220D1
1 OF 2



**MT800B SERIES TRACTORS
HYDRAULIC SYSTEM**

815

**LINES GP-HYD - 502220D1
1 OF 2**

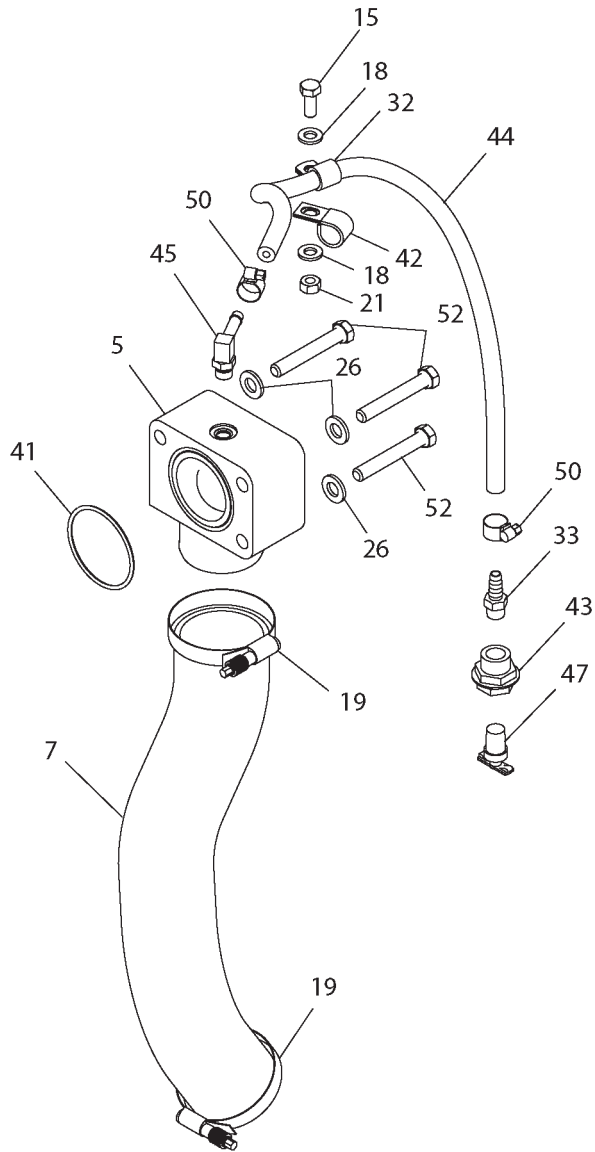
| ITEM | NUMBER | QTY | DESCRIPTION |
|------|------------|-----|--------------------------------|
| 30 | 400584X1 | 1 | TEE AS-SWIVEL 12 ORFS |
| | 400366X1 | 1 | SEAL-O-RING 22.5 ODX1.78 DIA |
| 31 | 400638X1 | 1 | CONNECTOR AS-STR-6STOR-6ORFS |
| | 400637X1 | 1 | SEAL-O-RING (9.25IDX1.78DIA) |
| | 400318X1 | 1 | SEAL-O-RING (11.89IDX1.98DIA) |
| 34 | CH148-8327 | 1 | CONNECTOR AS-12 ORFSX 12STOR |
| | 400416X1 | 1 | SEAL-O-RING 23.47IDX2.95DIA |
| | 400366X1 | 1 | SEAL-O-RING 22.5 ODX1.78 DIA |
| 35 | CH148-8334 | 2 | CONNECTOR AS-20 ORFS X 20 STOR |
| | 400593X1 | 1 | SEAL-O-RING (33.57ODX1.78DIA) |
| | 400365X1 | 1 | SEAL-O-RING (29.74IDX2.95DIA) |
| 36 | CH148-8347 | 1 | ELBOW AS-90DEG 12STOR X 12ORFS |
| | 400366X1 | 1 | SEAL-O-RING (22.5IDX1.78DIA) |
| | 400416X1 | 1 | SEAL-O-RING (23.47IDX2.95DIA) |
| 37 | CH148-8353 | 2 | ELBOW AS-45 DEG 4STOR X 6ORFS |
| | 400378X1 | 1 | SEAL-O-RING (12.83ODX1.78DIA) |
| | 400318X1 | 1 | SEAL-O-RING (11.89IDX1.98DIA) |
| 38 | CH148-8355 | 2 | ELBOW AS-45 DEG 16STORX16ORFS |
| | 400123X1 | 1 | SEAL-O RING-27.22ODX1.78 DIA |
| | 400376X1 | 1 | SEAL-O-RING (29.74ID) |
| 39 | CH148-8378 | 2 | ELBOW AS-90 DEG 4 STOR X6 ORFS |
| | 400318X1 | 1 | SEAL-O-RING (11.89IDX1.98DIA) |
| | 400378X1 | 1 | SEAL-O-RING (12.83ODX1.78DIA) |
| 40 | CH148-8439 | 1 | TEE AS-6ORFS X 6ORFS X 6STOR |
| | 400378X1 | 2 | SEAL-O-RING (12.83ODX1.78DIA) |
| | 400318X1 | 1 | SEAL-O-RING (11.89IDX1.98DIA) |
| 42 | CH1S-0994 | 2 | CLIP-LOOP 20.64 ID |
| 46 | CH6B-1032 | 1 | CLIP-LOOP 31.8 ID |
| 48 | CH7S-1912 | 2 | CLIP-LOOP 2X20.62 ID |
| 49 | CH8C-3051 | 1 | ADAPTER-16STOR X 16STOR |
| 51 | 400205X1 | 2 | BOLT-M6X1X40MM ZNDI HHD 10.9 |

[A] PART OF: 501809D1 HYD AR-COMMON

502220DA
PR: t05b22n43d0345

MT800B SERIES TRACTORS
HYDRAULIC SYSTEM

LINES GP-HYD - 502220D1
2 OF 2



502220DB

**MT800B SERIES TRACTORS
HYDRAULIC SYSTEM**

817

**LINES GP-HYD - 502220D1
2 OF 2**

| ITEM | NUMBER | QTY | DESCRIPTION |
|------|------------|-----|----------------------------------|
| - | 502220D1 | - | LINES GP-HYD [A] (NOT SERVICED) |
| 5 | 209-6677 | 1 | ELBOW |
| 7 | 211-3547 | 1 | HOSE |
| 15 | 400039X1 | 1 | BOLT-M10X1.5X25 ZNDI HHD 10.9 |
| 18 | 400287X1 | 2 | WASHER-HARD 11IDX21ODX2.5 ZND1 |
| 19 | 400359X1 | 2 | CLAMP-HOSE,SST 70-92X16 |
| 26 | 400357X1 | 3 | WASHER-HARD-M12X25.50DX3THK |
| 32 | 400702X1 | 1 | CLIP-ONE TUBE COATED |
| 33 | CH003-7764 | 1 | CONNECTOR-6 NPTFX9.52 OD BARB |
| 41 | CH149-0231 | 1 | SEAL-O-RING 72.62ID X 3.53DIA |
| 42 | CH1S-0994 | 1 | CLIP-LOOP 20.64 ID |
| 43 | CH2M-1908 | 1 | UNION-BLKHD 3/8-18 NPTF |
| 44 | CH5P-1442 | AR | HOSE-BULK 9.52ID HI TEMP (79 CM) |
| 45 | CH5P-4924 | 1 | ELBOW-90 DEG 6STOR X 9.52 BARB |
| 47 | CH6V-1520 | 1 | VALVE-SHUT OFF -6 NPTF -10HOSE |
| 50 | 400109X1 | 2 | CLAMP-HOSE SST 11.1-19.8X13.5 |
| 52 | 400241X1 | 3 | BOLT-M12X1.75X80 ZNDI HHD 10.9 |

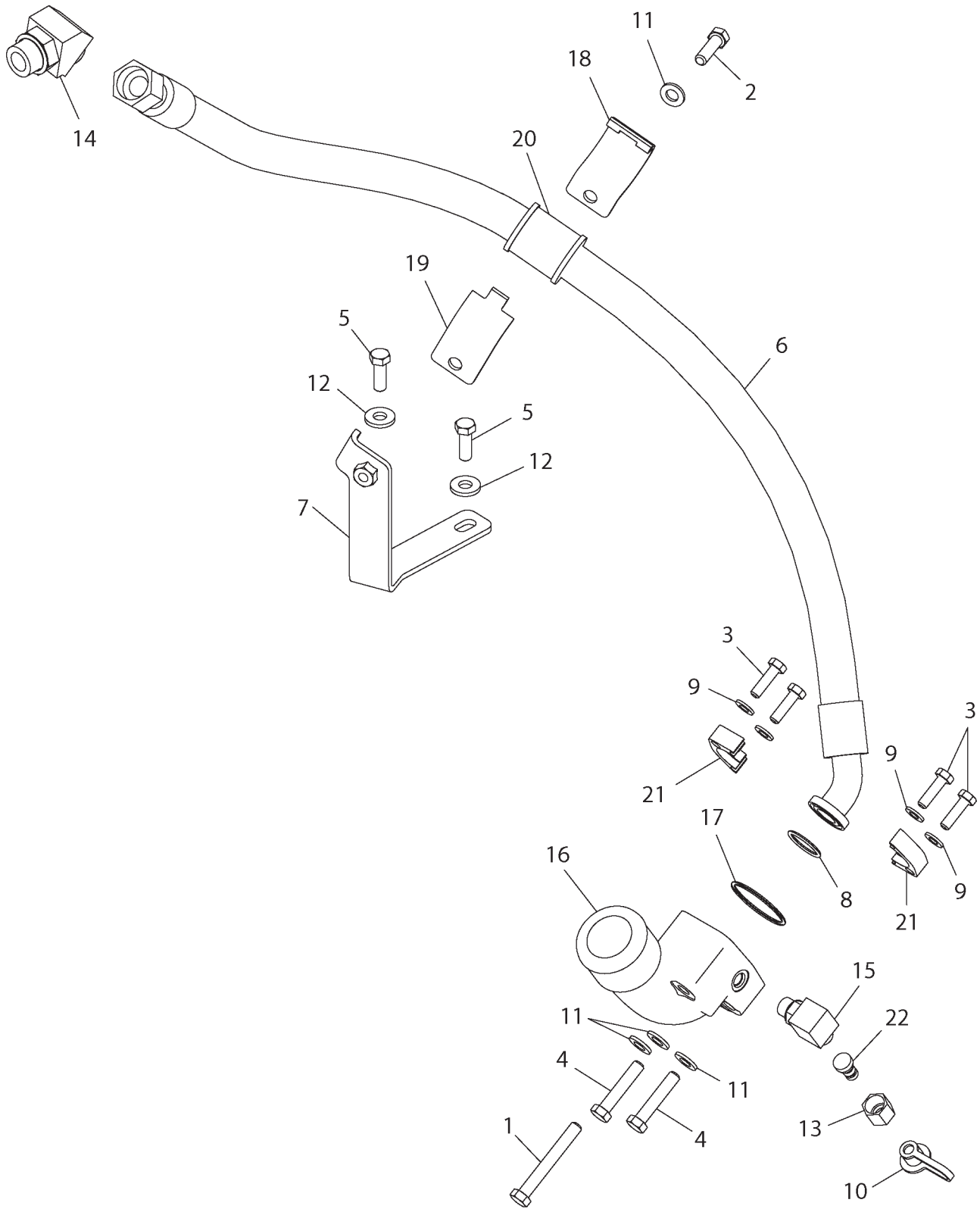
[A] PART OF: 501809D1 HYD AR-COMMON

502220DB
PR: t05b22n43d0346

818

MT800B SERIES TRACTORS HYDRAULIC SYSTEM

LINES GP-IMPLEMENT - 172-4518
ROW & EAME ONLY



1724518A

**MT800B SERIES TRACTORS
HYDRAULIC SYSTEM**

819

**LINES GP-IMPLEMENT - 172-4518
ROW & EAME ONLY**

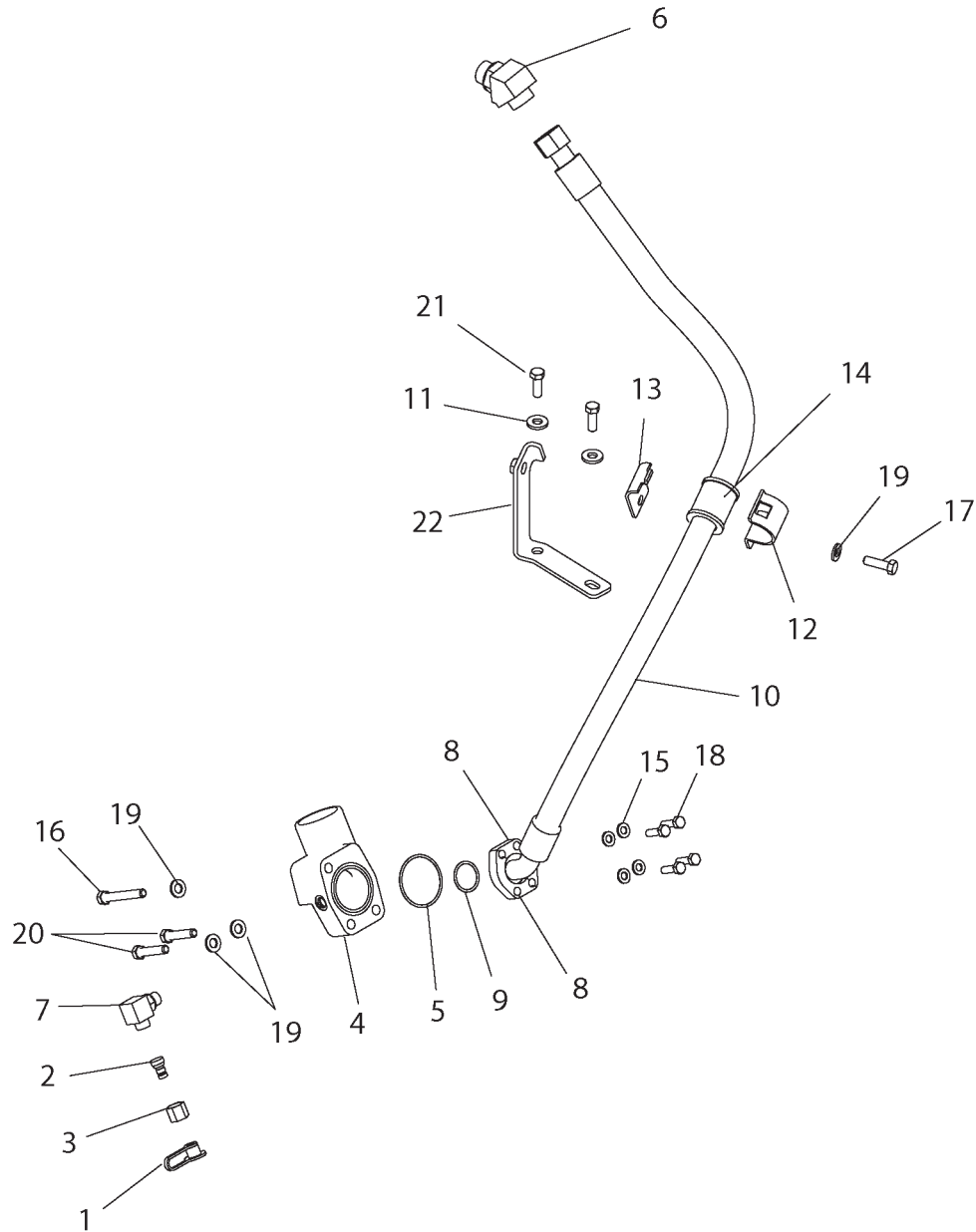
| ITEM | NUMBER | QTY | DESCRIPTION |
|------|------------|-----|---------------------------------------|
| - | 172-4518 | - | LINES GP-IMPLEMENT [A] (NOT SERVICED) |
| 1 | 400046X1 | 1 | BOLT-M12X1.75X90 ZNDI HHD 10.9 |
| 2 | 400050X1 | 1 | BOLT-M12X1.75X40 ZNDI HHD 10.9 |
| 3 | 400059X1 | 4 | BOLT-M10X1.5X35 ZNDI HHD 10.9 |
| 4 | 400063X1 | 2 | BOLT-M12X1.75X60 ZNDI HHD 10.9 |
| 5 | 400064X1 | 2 | BOLT-M12X1.75X35 ZNDI HHD 10.9 |
| 6 | 500599D1 | 1 | HOSE AS (FOR 25.4 ID SAE |
| 7 | 500458D1 | 1 | BRACKET AS |
| 8 | 400100X1 | 1 | SEAL-O RING-32.92IDX3.53DIA |
| 9 | 400287X1 | 4 | WASHER-HARD 11IDX21ODX2.5 ZND1 |
| 10 | 400323X1 | 1 | CAP-DUST 12.6 DIA -RUBBER |
| 11 | 400357X1 | 4 | WASHER-HARD-M12X25.50DX3THK |
| 12 | 400381X1 | 2 | WASHER-HARD-13.5IDX30 ODX4THK |
| 13 | 400607X1 | 1 | NUT-ORFS 13/16-16 PLATED |
| 14 | CH148-8355 | 1 | ELBOW AS-45DEG 16STORX16ORFS |
| | 400376X1 | 1 | SEAL-O-RING |
| | 400123X1 | 1 | SEAL-O RING-27.22ODX1.78 DIA |
| 15 | CH148-8364 | 1 | ELBOW AS-90DEG (8STOR-8ORFS) |
| | CH3K-0360 | 1 | SEAL-O-RING (16.36IDX2.21DIA) |
| | CH6V-8398 | 1 | SEAL-O-RING (16.03ODX1.78DIA) |
| 16 | CH211-3502 | 1 | ELBOW |
| 17 | CH5P-4892 | 1 | SEAL-O-RING 59.92IDX3.53DIA |
| 18 | CH5P-7468 | 1 | CLIP-HOSE TOP 52 ID |
| 19 | CH5P-7469 | 1 | CLIP-HOSE BOTTOM 52 ID |
| 20 | CH5P-8444 | 1 | GROMMET-RUBBER52ODX37IDX52LG |
| 21 | CH8C-3206 | 2 | FLANGE-HALF (-16) |
| 22 | CH8C-6416 | 1 | NIPPLE AS-QUICK DISC -4 & ORNG |
| | CH6V-8554 | 1 | NUT (12.7ORFS) |

[A] PART OF 180-0184 PUMP AR-HYD

1724518A
PR: t05k07n15a0028

MT800B SERIES TRACTORS
HYDRAULIC SYSTEM

LINES GP-IMPL - 172-4519
87CC CAPACITY IMPLEMENT PUMP



**MT800B SERIES TRACTORS
HYDRAULIC SYSTEM**

821

**LINES GP-IMPL - 172-4519
87CC CAPACITY IMPLEMENT PUMP**

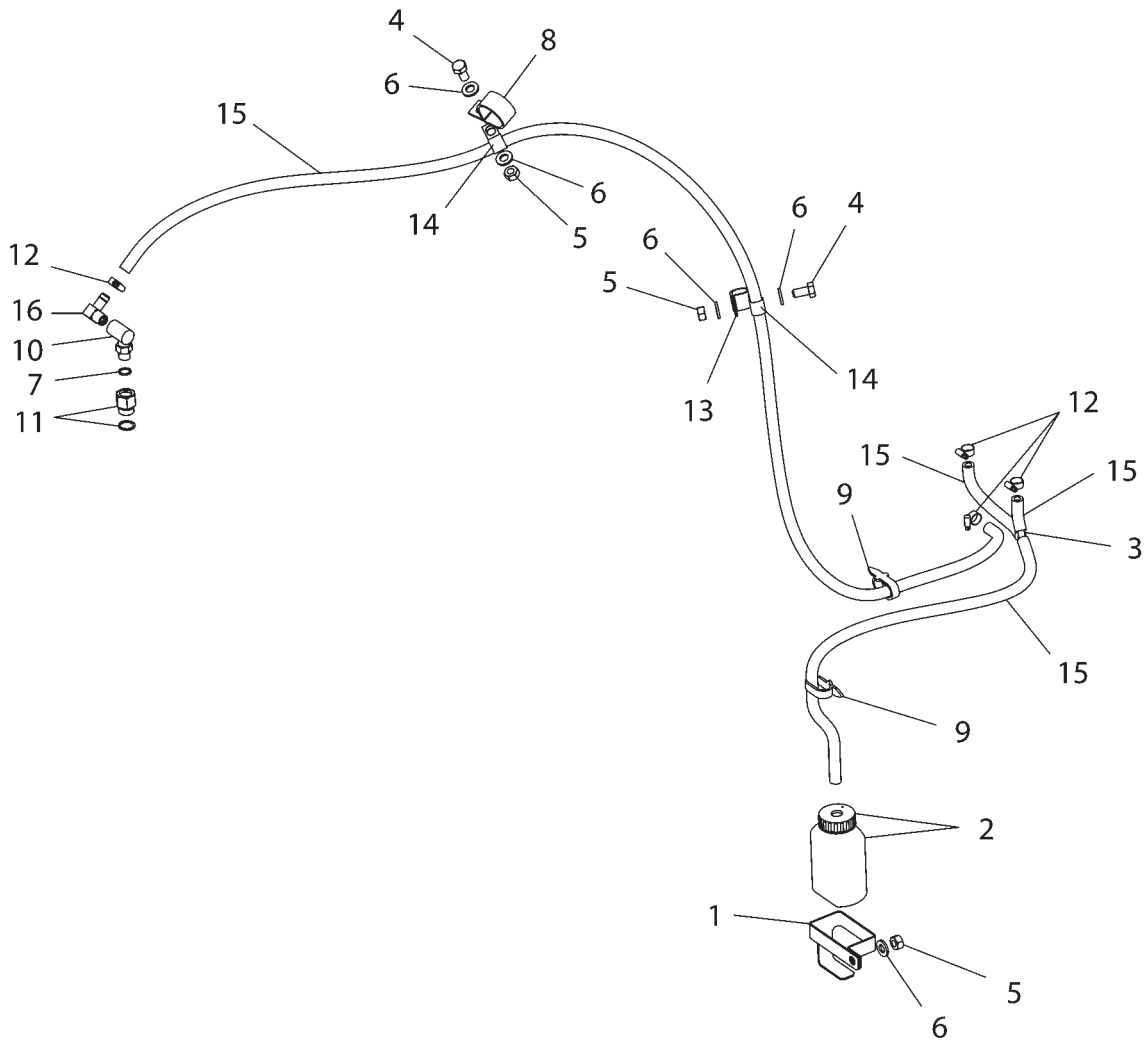
| ITEM | NUMBER | QTY | DESCRIPTION |
|------|------------|-----|-----------------------------------|
| - | 172-4519 | - | LINES GP-IMPL [A] (NOT SERVICED) |
| 1 | 400323X1 | 1 | CAP-DUST 12.6 DIA -RUBBER |
| 2 | CH8C-6416 | 1 | NIPPLE AS-QUICK DISC -4 & ORNG |
| | CH6V-8554 | 1 | NUT (12.7ORFS) |
| 3 | 400607X1 | 1 | NUT-ORFS 13/16-16 PLATED |
| 4 | CH208-0765 | 1 | ELBOW |
| 5 | CH033-6031 | 1 | SEAL-O-RING 69.44IDX3.53DIA |
| 6 | CH148-8355 | 1 | ELBOW AS-45DEG 16STORX16ORFS |
| | 400123X1 | 1 | SEAL-O RING-27.22ODX1.78 DIA |
| | 400376X1 | 1 | SEAL-O-RING (29.74ID) |
| 7 | CH148-8364 | 1 | ELBOW AS-90DEG -8STOR -8ORFS |
| | CH3K-0360 | 1 | SEAL-O-RING (16.36 ID X 2.21 DIA) |
| | CH6V-8398 | 1 | SEAL-O-RING (16.03 OD X 1.78 DIA) |
| 8 | CH1P-4578 | 2 | FLANGE-HALF (-20) |
| 9 | CH4J-0522 | 1 | SEAL-O-RING 37.69IDX3.53DIA |
| 10 | 500128D1 | 1 | HOSE AS. |
| 11 | 400381X1 | 2 | WASHER-HARD-13.5IDX30 ODX4THK |
| 12 | CH5P-7468 | 1 | CLIP-HOSE TOP 52 ID |
| 13 | CH5P-7469 | 1 | CLIP-HOSE BOTTOM 52 ID |
| 14 | CH5P-8444 | 1 | GROMMET-RUBBER52ODX37IDX52LG |
| 15 | 400287X1 | 4 | WASHER-HARD 11IDX21ODX2.5 ZND1 |
| 16 | 400046X1 | 1 | BOLT-M12X1.75X90 ZNDI HHD 10.9 |
| 17 | 400050X1 | 1 | BOLT-M12X1.75X40 ZNDI HHD 10.9 |
| 18 | 400059X1 | 4 | BOLT-M10X1.5X35 ZNDI HHD 10.9 |
| 19 | 400357X1 | 4 | WASHER-HARD-M12X25.50DX3THK |
| 20 | 400063X1 | 2 | BOLT-M12X1.75X60 ZNDI HHD 10.9 |
| 21 | 400064X1 | 2 | BOLT-M12X1.75X35 ZNDI HHD 10.9 |
| 22 | 500458D1 | 1 | BRACKET AS |

[A] PART OF 180-0185 PUMP AR

1724519A
PR: t05b22n43d0347

MT800B SERIES TRACTORS
HYDRAULIC SYSTEM

LINES GP-ECOLOGY - 502214D1



502214DC

MT800B SERIES TRACTORS
HYDRAULIC SYSTEM

823

LINES GP-ECOLOGY - 502214D1

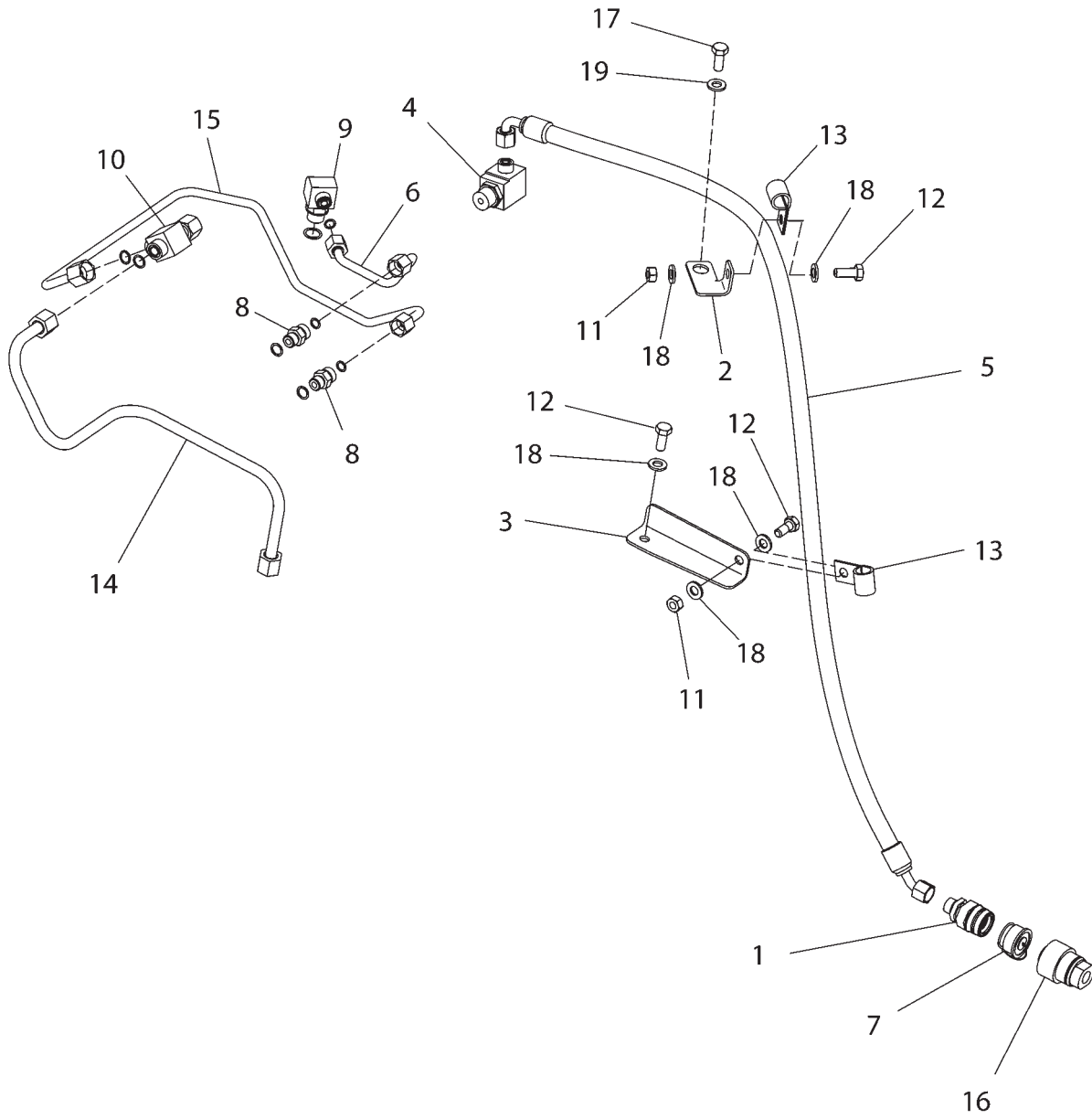
| ITEM | NUMBER | QTY | DESCRIPTION |
|------|------------|-----|--|
| - | 502214D1 | - | LINES GP-ECOLOGY [A] (NOT SERVICED) |
| 1 | 179-8664 | 1 | BRACKET |
| 2 | CH179-8665 | 1 | BOTTLE AS |
| 3 | CH222-0527 | 1 | COUPLING-Y 3 X 7.9 OD BARB |
| 4 | 400040X1 | 2 | BOLT-M10X1.5X20 ZNDI HHD 10.9 |
| 5 | 7774664 | 3 | NUT-M10-1.5,CL10.9,ZN,H,REG |
| 6 | 400287X1 | 5 | WASHER-HARD 11IDX21ODX2.5 ZND1 |
| 7 | 400318X1 | 1 | SEAL-O-RING 11.89IDX DIA1.98 |
| 8 | 400689X1 | 1 | CLIP LOOP 38.1ID |
| 9 | 400837X1 | 2 | STRAP-CABLE (PLASTIC) |
| 10 | CH106-2105 | 1 | ELBOW-90DEG-STRAIGHT THD |
| 11 | CH148-8313 | 1 | ADAPTER AS-8STOR X 6STOR (INCL O-RING) |
| | CH3K-0360 | 1 | SEAL-O-RING (16.36 ID X 2.21 DIA) |
| 12 | CH1P-4278 | 4 | CLAMP-HOSE 5.5-15.88 ID X 8 |
| 13 | CH1S-0994 | 1 | CLIP-LOOP 20.64 ID |
| 14 | CH4K-8864 | 2 | CLIP-LOOP 14.29ID |
| 15 | CH5P-1420 | - | HOSE (BULK) 7.92 DIA (245CM) |
| 16 | CH5P-9517 | 1 | ELBOW-90DEG. X 4NPTF X 7.92OD BARB |

[A] PART OF: 500795D1 VALVE AR-IMPL

502214DC
PR: t05b22n43d0348

MT800B SERIES TRACTORS
HYDRAULIC SYSTEM

LINES GP-HYDRAULIC OIL - 501130D1
HYDRAULIC TRAILER BRAKE



**MT800B SERIES TRACTORS
HYDRAULIC SYSTEM**

825

**LINES GP-HYDRAULIC OIL - 501130D1
HYDRAULIC TRAILER BRAKE**

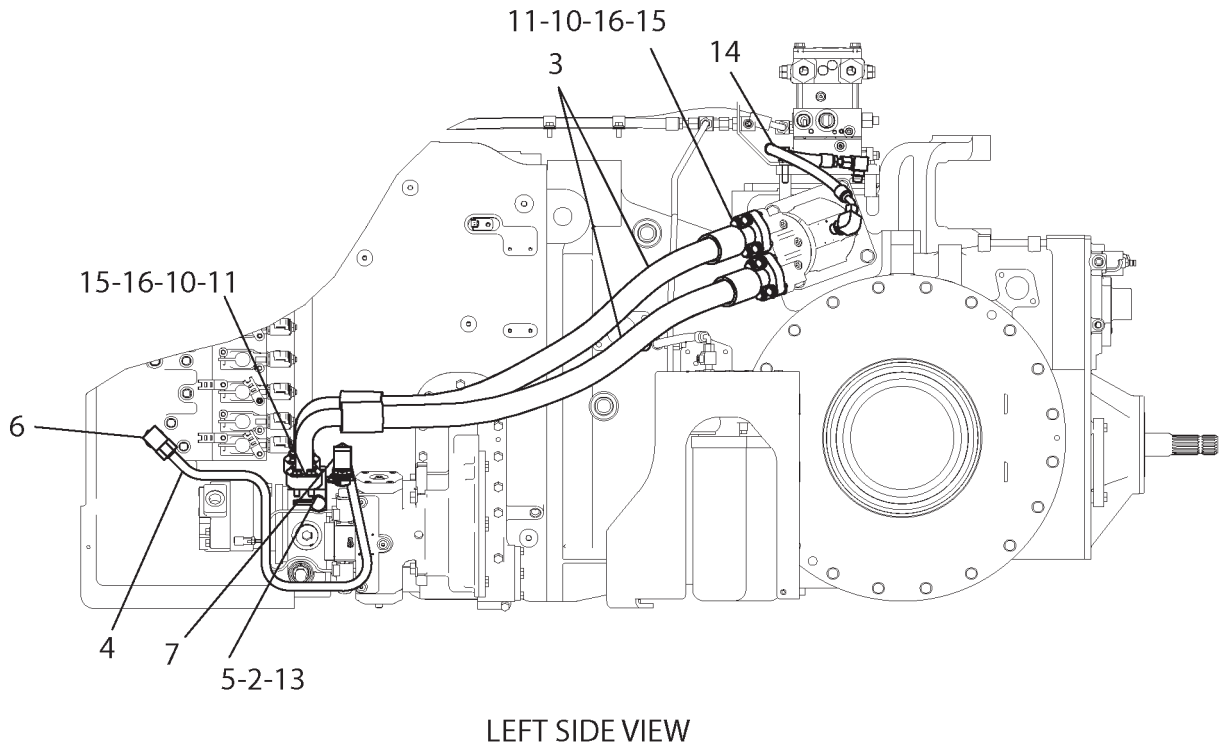
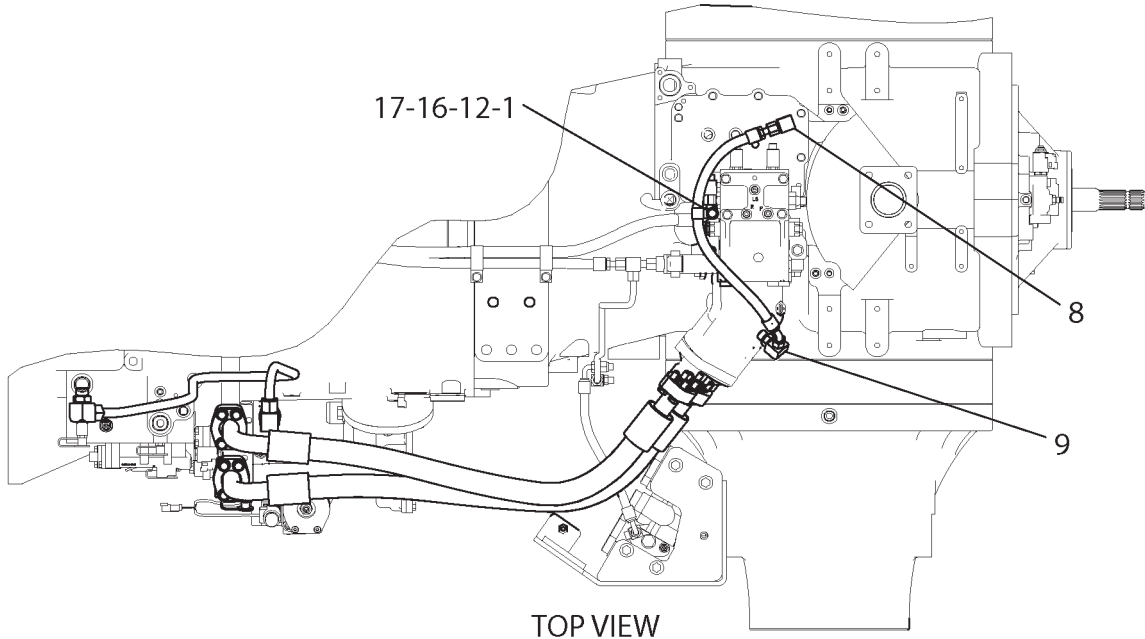
| ITEM | NUMBER | QTY | DESCRIPTION |
|------|------------|-----|-------------------------------------|
| - | 501130D1 | - | LINES GP-HYD OIL [A] (NOT SERVICED) |
| 1 | CH185-3959 | 1 | COUPLER-QK CONNECT 12STOR ML |
| 2 | 200-2992 | 1 | BRACKET |
| 3 | 200-2993 | 1 | BRACKET |
| 4 | CH205-3692 | 1 | ELBOW AS-90DEG 8STOR X 8ORFS |
| | 400378X1 | 1 | SEAL-O-RING (12.83OD X 1.78 DIA) |
| | 400319X1 | 1 | SEAL-O-RING (19.18ID X 2.46 DIA) |
| 5 | CH208-9850 | 1 | HOSE AS-9.5 ID SAE 100R2 |
| 6 | 208-9875 | 1 | TUBE AS. |
| 7 | CH223-9254 | 1 | CAP-DUST |
| 8 | 400367X1 | 2 | CONNECTOR AS-6 STOR -6 ORFS |
| | 400378X1 | 1 | SEAL-O-RING (12.83 ID X 1.78 DIA) |
| | 400318X1 | 1 | SEAL-O-RING (11.89 ID X 1.98 DIA) |
| 9 | CH148-8374 | 1 | ELBOW AS-90DEG 6ORFS X 8STOR |
| | CH3K-0360 | 1 | SEAL-O-RING (16.36 ID X 2.21 DIA) |
| | 400378X1 | 1 | SEAL-O-RING (12.83 ID X 1.78 DIA) |
| 10 | CH148-8444 | 1 | TEE-SWIVEL 3X -8 ORFS |
| | CH6V-8398 | 2 | SEAL-O-RING (16.03 ID X 1.78 DIA) |
| 11 | 7774664 | 4 | NUT-M10-1.5,CL10.9,ZN,H,REG |
| 12 | 400039X1 | 3 | BOLT-M10X1.5X25 ZNDI HHD 10.9 |
| 13 | CH4D-7735 | 2 | CLIP-LOOP 18.29ID |
| 14 | 501127D1 | 1 | TUBE AS |
| 15 | 501128D1 | 1 | TUBE AS |
| 16 | 501129D1 | 1 | COUPLING-TRAILER |
| 17 | 400190X1 | 1 | BOLT-M12X1.75X16 ZNDI HHD 10.9 |
| 18 | 400287X1 | 6 | WASHER-HARD 11IDX21ODX2.5 ZND1 |
| 19 | 400357X1 | 1 | WASHER-HARD-M12X25.50DX3THK |

[A] PART OF:
501170D1 VALVE AR
501140D1 BRAKE KIT-HYD

501130DB
PR: t05b22n43d0349

MT800B SERIES TRACTORS
HYDRAULIC SYSTEM

LINES GP-STEERING - 158-2393



**MT800B SERIES TRACTORS
HYDRAULIC SYSTEM**

827

LINES GP-STEERING - 158-2393

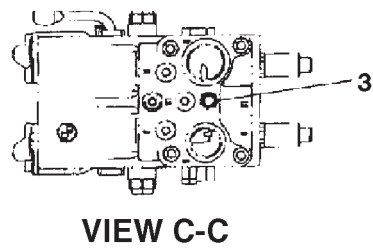
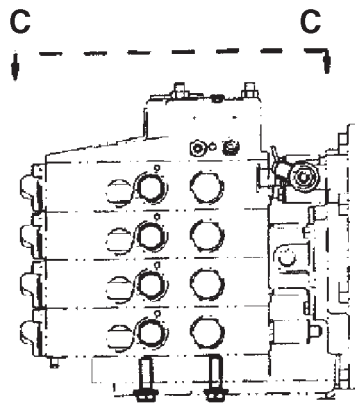
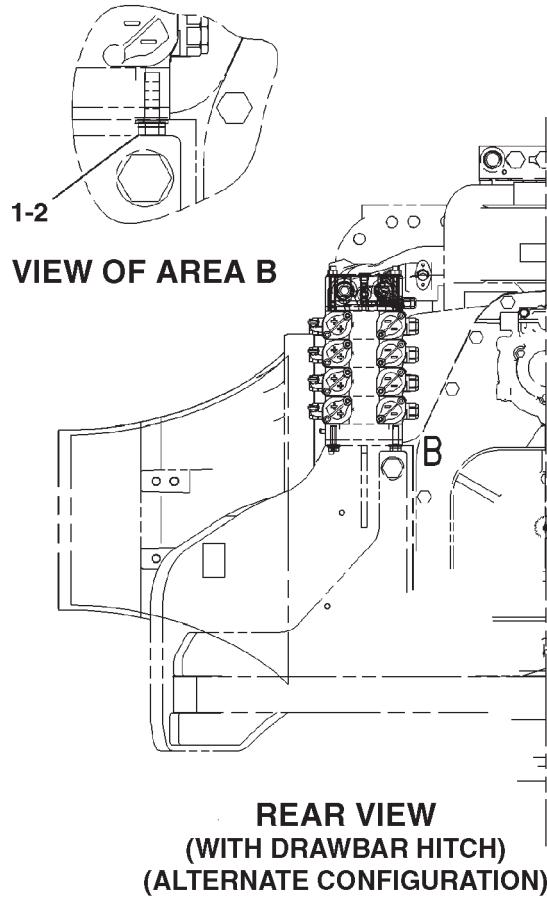
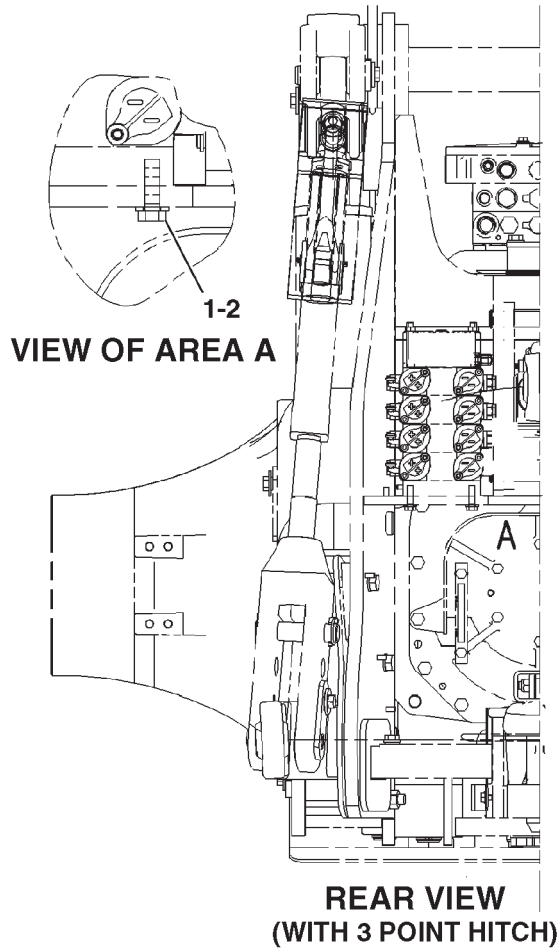
| ITEM | NUMBER | QTY | DESCRIPTION |
|------|------------|-----|---|
| - | 158-2393 | - | LINES GP-STEERING [A] (NOT SERVICED) |
| 1 | CH2A-1314 | 1 | SPACER |
| 2 | 400323X1 | 1 | CAP-DUST |
| 3 | CH192-8841 | 2 | HOSE ASM |
| 4 | 193-8098 | 1 | TUBE ASM |
| 5 | CH110-6349 | 1 | NIPPLE AS-QUICK CONNECT (4STOR) (INCLS O-RING) |
| 6 | CH148-8347 | 1 | ELBOW AS-90DEG 12STOR X 12ORFS |
| | 400366X1 | 1 | SEAL-O-RING (22.5IDX1.78DIA) |
| | 400416X1 | 1 | SEAL-O-RING (23.47IDX2.95DIA) |
| 7 | CH148-8360 | 1 | ELBOW AS-90DEG (16STORX12ORFS) |
| | 400366X1 | 1 | SEAL-O-RING (22.5IDX1.78DIA) |
| | 400376X1 | 1 | SEAL-O-RING (29.74IDX2.95DIA) |
| 8 | CH148-8364 | 1 | ELBOW ASM-90DEG -8STOR -8ORFS |
| | CH3K-0360 | 1 | SEAL-O-RING (16.36 ID X 2.21 DIA) |
| | CH6V-8398 | 1 | SEAL-O-RING (16.03 OD X 1.78 DIA) |
| 9 | CH148-8372 | 1 | ELBOW AS-90DEG 10STOR-8ORFS |
| | 400319X1 | 1 | SEAL-O-RING (19.18IDX2.46DIA) |
| | CH6V-8398 | 1 | SEAL-O-RING (16.03ODX1.78DIA) |
| 10 | 400588X1 | 4 | SEAL-RECTANGULAR |
| 11 | CH1P-5767 | 8 | FLANGE-half |
| 12 | CH1S-1015 | 1 | CLIP-LOOP |
| 13 | 400361X1 | 1 | SEAL-O-RING (8.92IDX1.83DIA) |
| 14 | 500127D1 | 1 | HOSE ASM |
| 15 | 400057X1 | 16 | BOLT (M12X1.75X50MM) |
| 16 | 400357X1 | 17 | WASHER-HARD (M12X25.5X3) |
| 17 | 400062X1 | 1 | BOLT (M12X1.75X70MM) |

[A] PART OF:
158-2342; 501809D1 HYD AR-COMMON

1582393F
PR: t05b22n43d0351

**MT800B SERIES TRACTORS
HYDRAULIC SYSTEM**

MOUNTING GP-VALVE - 158-2339



MT800B SERIES TRACTORS
HYDRAULIC SYSTEM

829

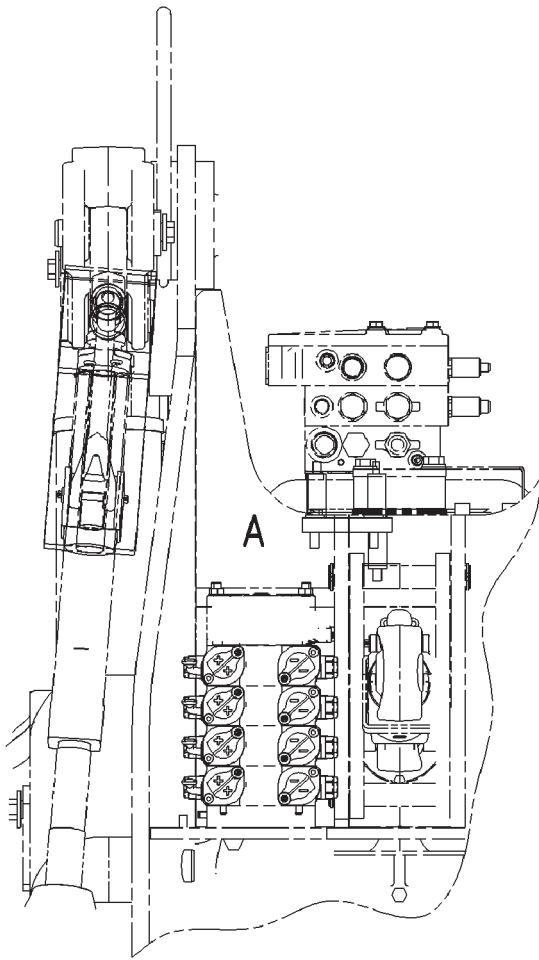
MOUNTING GP-VALVE - 158-2339

| ITEM | NUMBER | QTY | DESCRIPTION |
|------|------------|-----|--------------------------------------|
| - | 158-2339 | - | MOUNTING GP-VALVE [A] (NOT SERVICED) |
| 1 | 400050X1 | 4 | BOLT (M12X1.75X40MM) |
| 2 | 400357X1 | 4 | WASHER-HARD (M12X25.5X3) |
| 3 | CH193-5914 | 1 | PLUG |

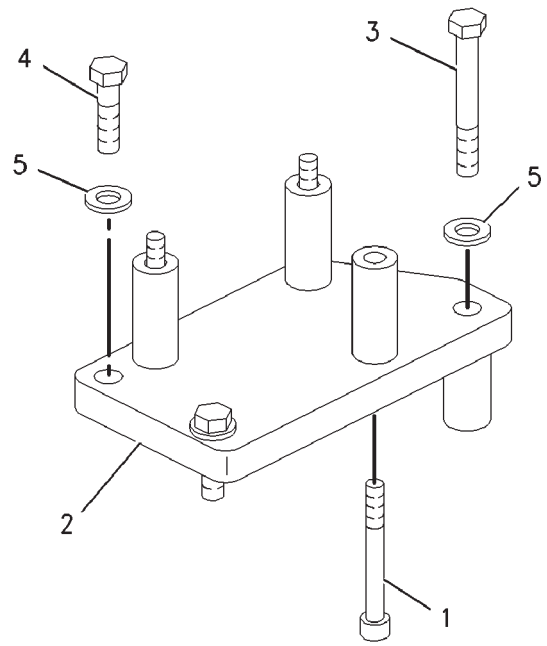
[A] PART OF:
158-2342; 501809D1 HYDRAULIC AR

0855208A
PR: t05b22n43d0352

MOUNTING GP-VALVE - 193-1548



REAR VIEW



VIEW OF AREA A

MT800B SERIES TRACTORS
HYDRAULIC SYSTEM

831

MOUNTING GP-VALVE - 193-1548

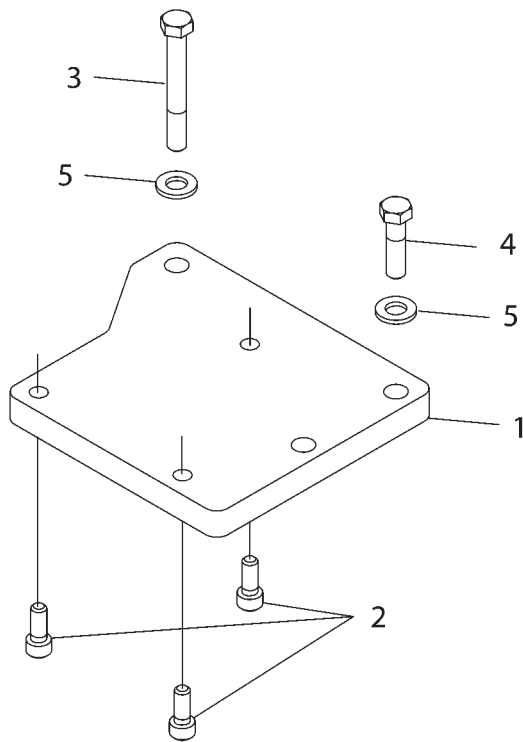
| ITEM | NUMBER | QTY | DESCRIPTION |
|------|----------|-----|--------------------------------------|
| - | 193-1548 | - | MOUNTING GP-VALVE [A] (NOT SERVICED) |
| 1 | 400000X1 | 3 | BOLT-SKT HD (M10X1.5X85) |
| 2 | 224-1399 | 1 | BRACKET AS |
| 3 | 400046X1 | 1 | BOLT (M12X1.75X90MM) |
| 4 | 400051X1 | 2 | BOLT (M12X1.75X45MM) |
| 5 | 400357X1 | 3 | WASHER-HARD (M12X25.5X3) |

[A] PART OF 193-8197; 193-8198 VALVE AR

00854860
PR: t05b22n43d0353

MT800B SERIES TRACTORS
HYDRAULIC SYSTEM

MOUNTING GP-VALVE - 162-9805



1629805D

**MT800B SERIES TRACTORS
HYDRAULIC SYSTEM**

833

MOUNTING GP-VALVE - 162-9805

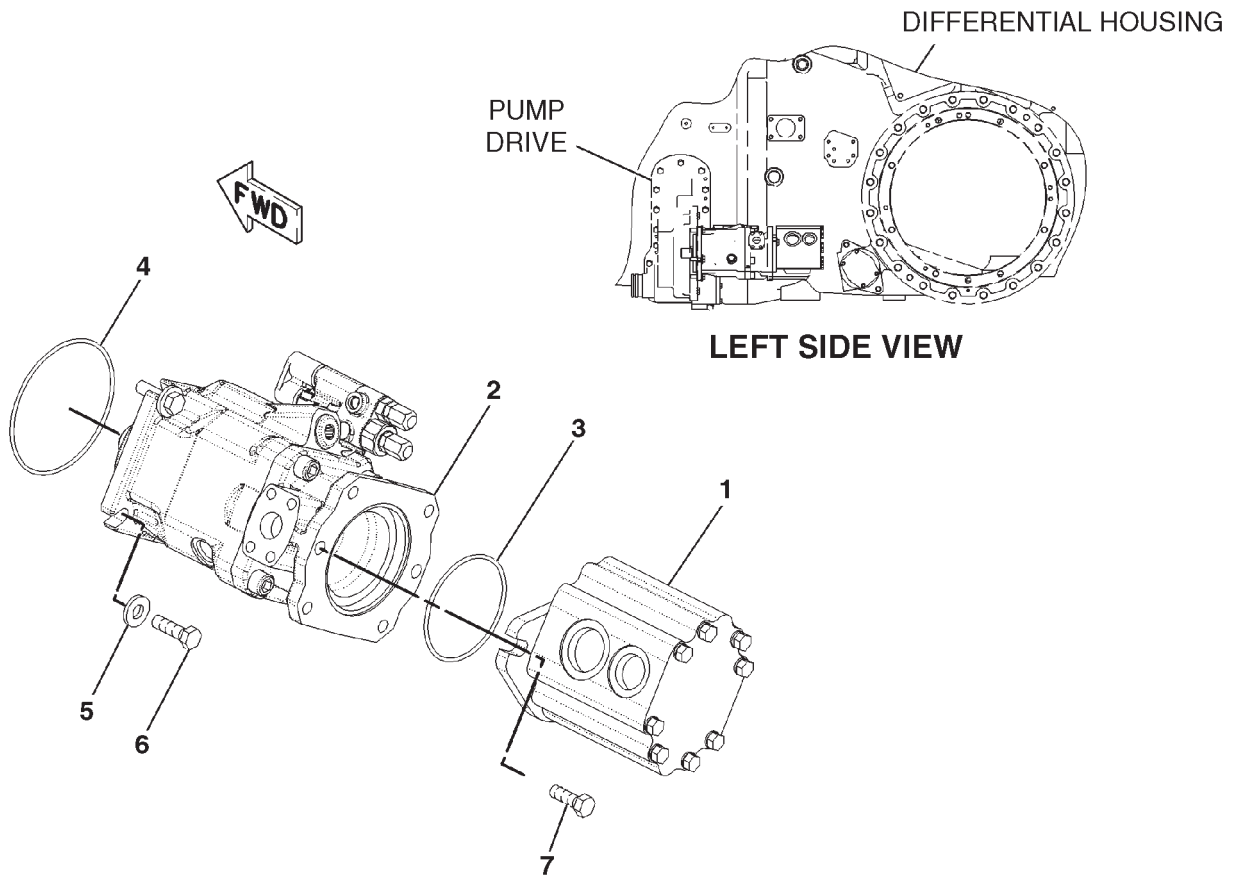
| ITEM | NUMBER | QTY | DESCRIPTION |
|------|----------|-----|--------------------------------------|
| - | 162-9805 | - | MOUNTING GP-VALVE [A] (NOT SERVICED) |
| 1 | 209-3414 | 1 | BRACKET AS |
| 2 | 400217X1 | 3 | BOLT (M10X1.5X25MM) |
| 3 | 400046X1 | 1 | BOLT (M12X1.75X90MM) |
| 4 | 400051X1 | 1 | BOLT (M12X1.75X45MM) |
| 5 | 400357X1 | 2 | WASHER-HARD (M12X25.5X3 THK) |

[A] PART OF: 501070D1;193-8199;
193-8200 VALVE AR

1629805D
PR: t05b22n43d0354

MT800B SERIES TRACTORS
HYDRAULIC SYSTEM

PUMP & MOUNTING GP - 162-9804
(63CC IMPLEMENT PUMP)



MT800B SERIES TRACTORS
HYDRAULIC SYSTEM

835

PUMP & MOUNTING GP - 162-9804
(63CC IMPLEMENT PUMP)

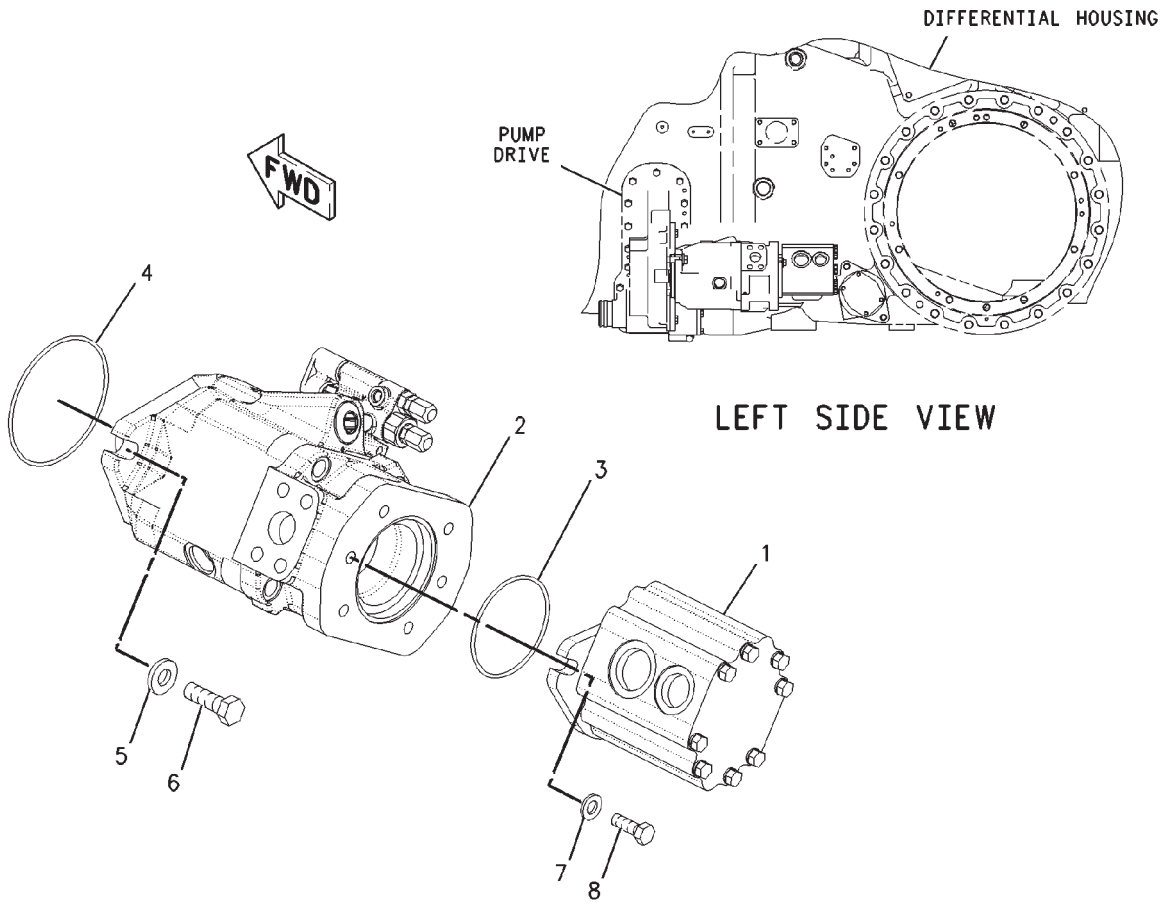
| ITEM | NUMBER | QTY | DESCRIPTION |
|------|------------|-----|--|
| | 162-9804 | | PUMP & MOUNTING GP [A] (NOT SERVICED) |
| 1 | CH206-6337 | 1 | PUMP GP-GEAR (CHARGE) (SEE BREAKDOWN FOR COMPONENTS) |
| 2 | CH206-9019 | 1 | PUMP GP-PISTON (IMPLEMENT) (SEE BREAKDOWN FOR COMPONENTS) |
| 3 | CH2H-3934 | 1 | SEAL-O-RING |
| 4 | 400101X1 | 1 | SEAL-O-RING (126.6IDX3.5DIA) |
| 5 | 400381X1 | 4 | WASHER-HARD (13.5X30X4) |
| 6 | 400050X1 | 4 | BOLT (M12X1.75X40MM) |
| 7 | 400064X1 | 2 | BOLT (M12X1.75X35MM) |

[A] PART OF 180-0184 PUMP AR-HYDRAULIC

0850708A
PR: t05b22n43d0355

MT800B SERIES TRACTORS
HYDRAULIC SYSTEM

PUMP & MOUNTING GP - 165-7901
(87CC IMPLEMENT PUMP)



**MT800B SERIES TRACTORS
HYDRAULIC SYSTEM**

837

**PUMP & MOUNTING GP - 165-7901
(87CC IMPLEMENT PUMP)**

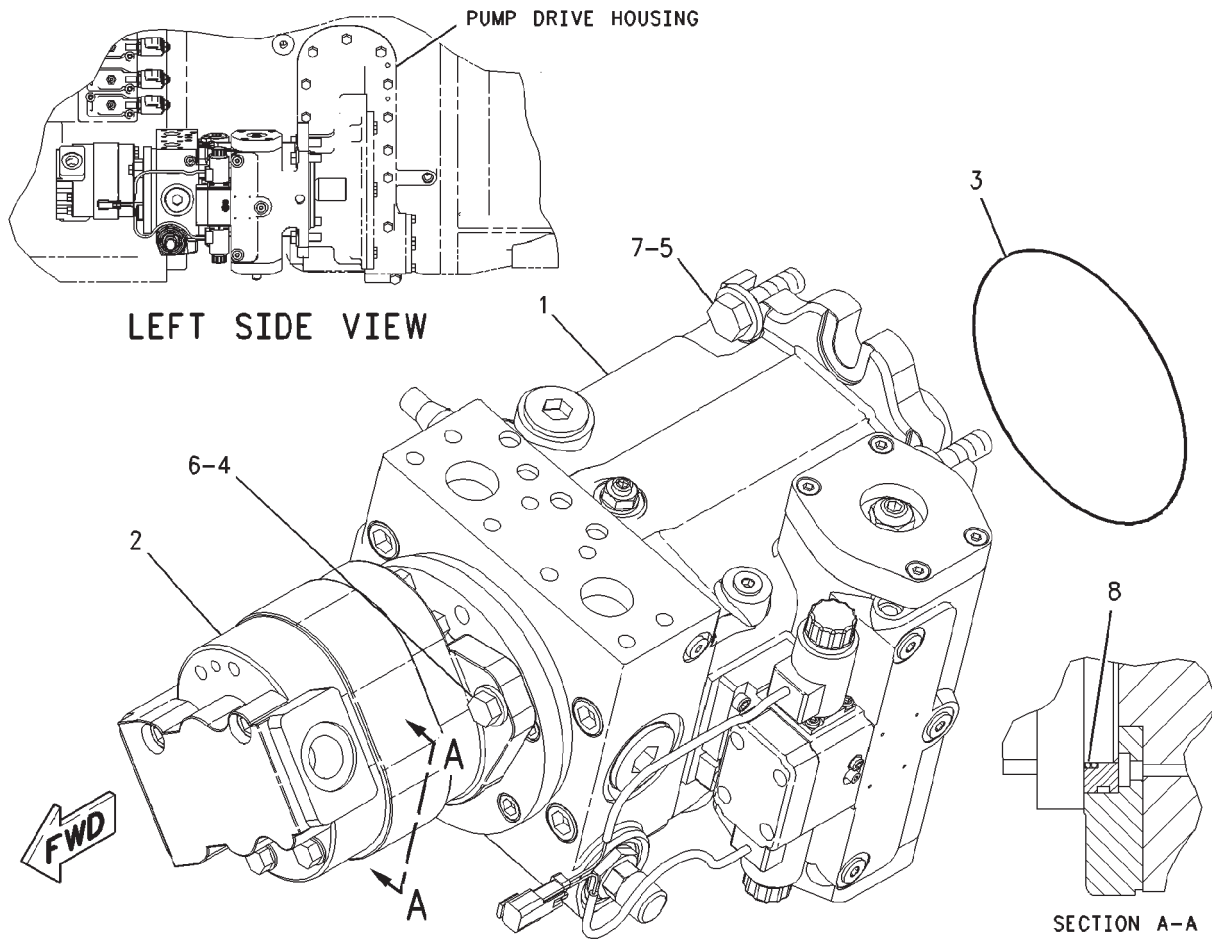
| ITEM | NUMBER | QTY | DESCRIPTION |
|------|------------|-----|--|
| | 165-7901 | | PUMP & MOUNTING GP [A] (NOT SERVICED) |
| 1 | CH206-6337 | 1 | PUMP GP-GEAR (CHARGE) (SEE BREAKDOWN FOR COMPONENTS) |
| 2 | CH206-9017 | 1 | PUMP GP-PISTON (IMPLEMENT) (SEE BREAKDOWN FOR COMPONENTS) |
| 3 | CH2H-3934 | 1 | SEAL-O-RING |
| 4 | 400101X1 | 1 | SEAL-O-RING |
| 5 | CH7X-0515 | 2 | WASHER-HARD (17X35X5) |
| 6 | 400056X1 | 2 | BOLT (M16X2X50MM) |
| 7 | 400381X1 | 2 | WASHER-HARD |
| 8 | 400064X1 | 2 | BOLT (M12X1.75X35MM) |

[A] PART OF 180-0185 PUMP AR-HYDRAULIC

00850772
PR: t05b22n43d0356

MT800B SERIES TRACTORS
HYDRAULIC SYSTEM

PUMP & MTG GP-HYDRAULIC - 158-2397
SCAVENGE PUMP



MT800B SERIES TRACTORS
HYDRAULIC SYSTEM

839

PUMP & MTG GP-HYDRAULIC - 158-2397
SCAVENGE PUMP

| ITEM | NUMBER | QTY | DESCRIPTION |
|------|------------|-----|--|
| - | 158-2397 | - | PUMP & MTG GP-HYDRAULIC [A] (NOT SERVICED) |
| 1 | CH162-9592 | 1 | PUMP GP-PISTON (SLIPPER) SEE BREAKDOWN FOR COMPONENTS) |
| 2 | CH207-3629 | 1 | PUMP GP-GEAR (STER, IMPL & TMSN CHARGE) SEE BREAKDOWN FOR COMPONENTS) |
| 3 | CH8F-8733 | 1 | SEAL-O-RING |
| 4 | 400050X1 | 2 | BOLT (M12X1.75X40MM) |
| 5 | 400056X1 | 4 | BOLT (M16X2X50MM) |
| 6 | 400357X1 | 2 | WASHER-HARD (M12X25.5X3) |
| 7 | CH7X-0515 | 4 | WASHER-HARD (17X35X5) |
| 8 | CH6D-7146 | 1 | SEAL-O-RING (101.27IDX2.62DIA) [B] |

[A] PART OF:
158-2342; 501809D1 HYDRAULIC AR

[B] THIS SEAL IS DELIVERED AS PART OF
THE PUMP GP-PISTON. THE SEAL IS
LISTED AS A SERVICE REPAIR PART IN
CASE OF CUTTING THE SEAL AT INITIAL
ASSEMBLY OR IN FIELD SERVICE.

00830561
PR: t05b22n43d0357

840

MT800B SERIES TRACTORS
HYDRAULIC SYSTEM

PUMP AR-HYDRAULIC - 180-0184
63CC IMPLEMENT PUMP HITCH

NO ILLUSTRATION

NOTIF

MT800B SERIES TRACTORS
HYDRAULIC SYSTEM

841

PUMP AR-HYDRAULIC - 180-0184
63CC IMPLEMENT PUMP HITCH

| ITEM | NUMBER | QTY | DESCRIPTION |
|------|----------|-----|--|
| - | 180-0184 | - | PUMP AR-HYDRAULIC (NOT SERVICED) |
| | 209-8325 | 1 | LINES GP-HYDRAULIC (NOT SERVICED) SEE BREAKDOWN FOR COMPONENTS) |
| | 172-4518 | 1 | LINES GP-IMPLEMENT (NOT SERVICED) SEE BREAKDOWN FOR COMPONENTS) |
| | 162-9804 | 1 | PUMP & MOUNTING GP (NOT SERVICED) SEE BREAKDOWN FOR COMPONENTS) |

NOTIF
PR: t05b22n43d0358

842

MT800B SERIES TRACTORS
HYDRAULIC SYSTEM

PUMP AR-HYDRAULIC - 180-0185
87CC IMPLEMENT PUMP

NO ILLUSTRATION

NOTIF

**MT800B SERIES TRACTORS
HYDRAULIC SYSTEM**

843

**PUMP AR-HYDRAULIC - 180-0185
87CC IMPLEMENT PUMP**

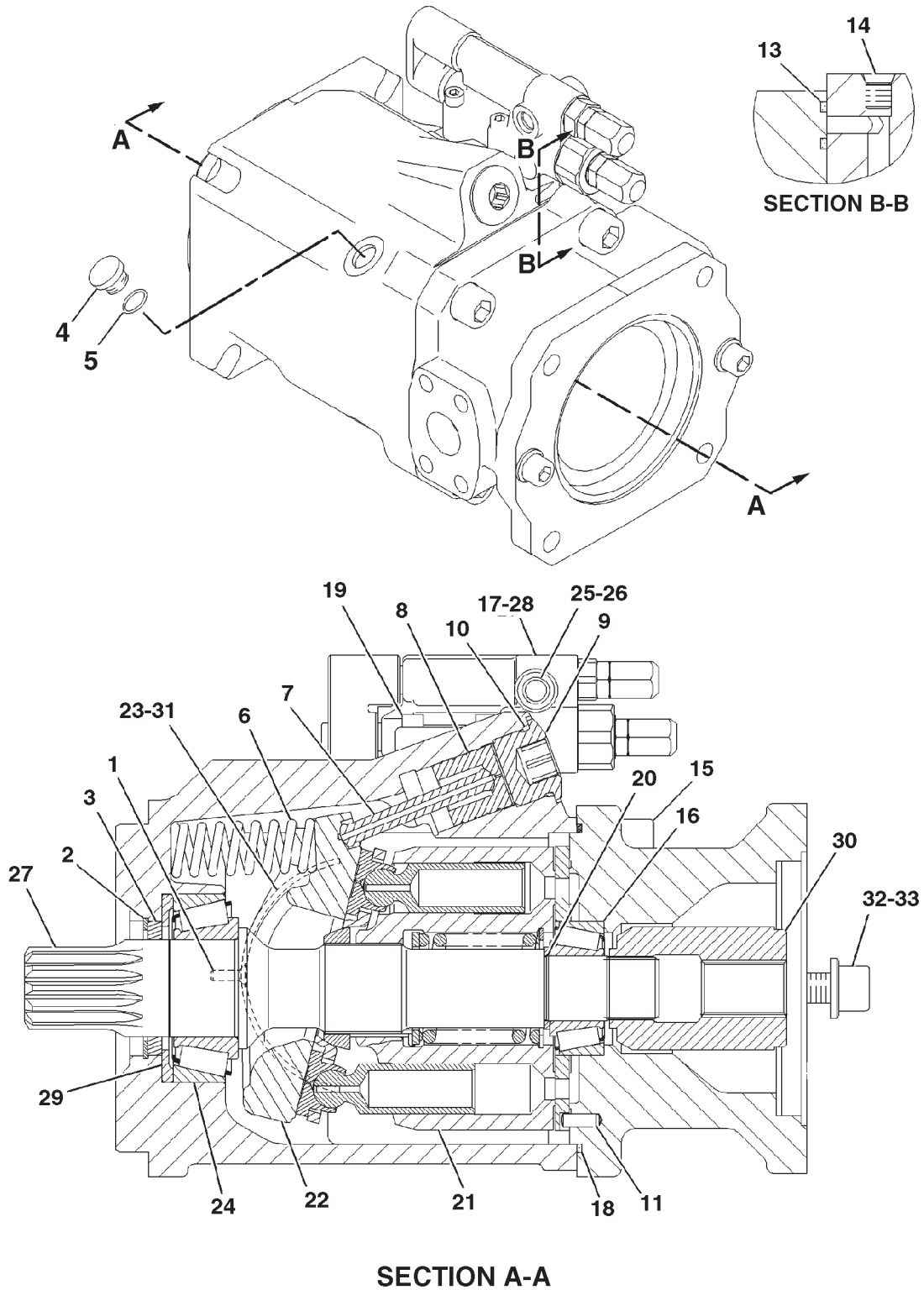
| ITEM | NUMBER | QTY | DESCRIPTION |
|------|----------|-----|---|
| - | 180-0185 | - | PUMP AR-HYDRAULIC [A] (NOT SERVICED) |
| 1 | 165-7901 | 1 | PUMP & MOUNTING GP (NOT SERVICED) (SEE BREAKDOWN FOR COMPONENTS) |
| 2 | 172-4519 | 1 | LINES GP-IMPLEMENT (NOT SERVICED) (SEE BREAKDOWN FOR COMPONENTS) |
| 3 | 209-8326 | 1 | LINES GP-HYDRAULIC (NOT SERVICED) (SEE BREAKDOWN FOR COMPONENTS) |

[A] PART OF: 501605D1; 501606D1;
501607D1; 501608D1; 501609D1
BASE UNIT AR;
502785D1; 502907D1 PUMP AR-HYD

NOTIF
PR: t05b22n43d0359

MT800B SERIES TRACTORS
HYDRAULIC SYSTEM

PUMP GP-PISTON (SLIPPER) - CH206-9019
63CC IMPLEMENT
ROW & EAME



**MT800B SERIES TRACTORS
HYDRAULIC SYSTEM**

845

**PUMP GP-PISTON (SLIPPER) - CH206-9019
63CC IMPLEMENT
ROW & EAME**

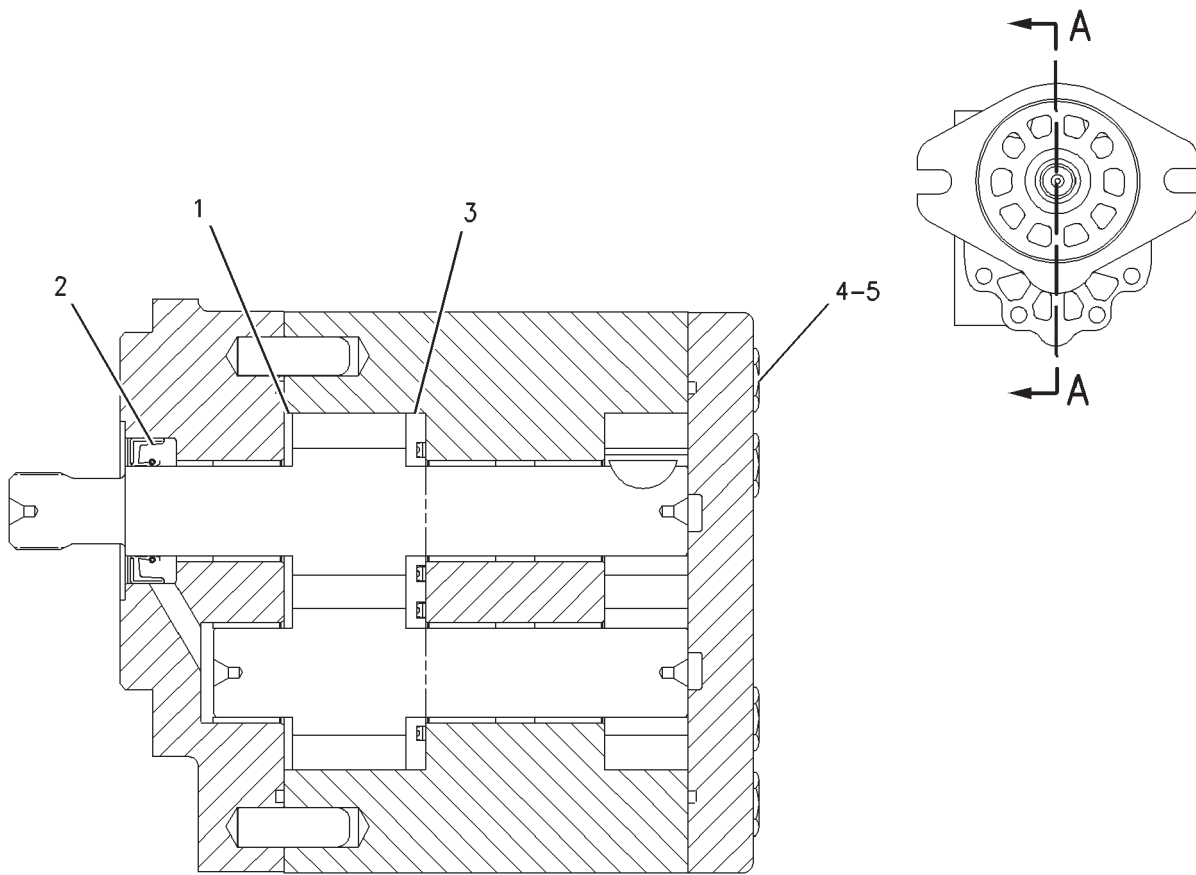
| ITEM | NUMBER | QTY | DESCRIPTION |
|------|------------|-----|---|
| - | CH206-9019 | - | PUMP GP- PISTON [A] |
| 1 | CH6R-7943 | 2 | SCREW (M5X15.5MM) |
| 2 | CH180-6213 | 1 | RING-RETAINING |
| 3 | CH168-7319 | 1 | SEAL-SHAFT |
| 4 | 400374X1 | 1 | PLUG |
| 5 | 400319X1 | 1 | SEAL-O-RING |
| 6 | CH168-2197 | 1 | SPRING |
| 7 | CH168-2198 | 1 | LINK-CONTROL |
| 8 | CH174-9994 | 1 | PISTON-CONTROL |
| 9 | CH168-7863 | 1 | PLUG-CONTROL |
| 10 | CH8T-7525 | 1 | SEAL-O-RING |
| 11 | CH9X-8979 | 1 | DOWEL |
| 13 | CH168-3504 | 2 | SEAL |
| 14 | CH136-8423 | 2 | PLUG-BREAK OFF |
| 15 | CH095-0687 | 4 | BOLT-SOCKET HEAD |
| 16 | CH185-0296 | 1 | BEARING |
| 17 | CH9X-7680 | 3 | SEAL-O-RING |
| 18 | CH117-8801 | 1 | SEAL-O-RING |
| 19 | 400246X1 | 4 | BOLT-SOCKET HEAD (M6X1X30MM) |
| 20 | CH168-2203 | 1 | SHIM-SHAFT |
| 21 | 190-6501 | 1 | ROTATING GP-PUMP (SEE BREAKDOWN FOR COMPONENTS) |
| 22 | CH168-7317 | 1 | SWASHPLATE-PUMP |
| 23 | 214-9207 | 1 | BEARING (RIGHT HAND) |
| 24 | CH185-0295 | 1 | BEARING |
| 25 | CH9S-8002 | 1 | PLUG |
| 26 | 400361X1 | 1 | SEAL-O-RING |
| 27 | 214-9204 | 1 | SHAFT |
| 28 | 214-9379 | 1 | VALVE GP-PRESS & FLOW CMPNSTR (SEE BREAKDOWN FOR COMPONENTS) |
| 29 | CH190-6507 | 1 | STOP |
| 30 | 214-9205 | 1 | COUPLING-SHAFT |
| 31 | 214-9206 | 1 | BEARING (LEFT HAND) |
| 32 | 400220X1 | 2 | BOLT-HEX SOCKET (M12X1.75X30MM) |
| 33 | 400357X1 | 2 | WASHER-HARD (M12X25.5X3) |

[A] PART OF 162-9804 PUMP & MOUNTING GP

0893755A
PR: t05k07n15a0029

MT800B SERIES TRACTORS
HYDRAULIC SYSTEM

PUMP GP-GEAR - CH206-6337
STEERING, IMPLEMENT & TRANS CHARGE



SECTION A-A

MT800B SERIES TRACTORS
HYDRAULIC SYSTEM

847

PUMP GP-GEAR - CH206-6337
STEERING, IMPLEMENT & TRANS CHARGE

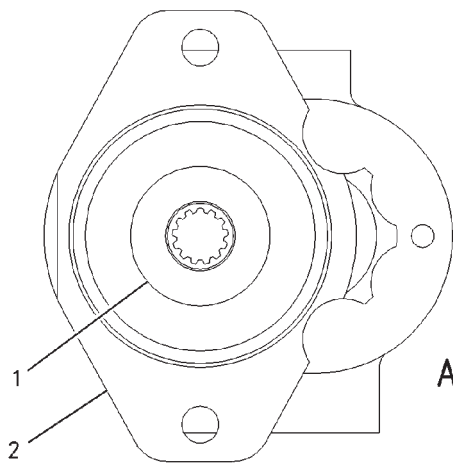
| ITEM | NUMBER | QTY | DESCRIPTION |
|------|------------|-----|-----------------------------|
| - | CH206-6337 | - | PUMP GP-GEAR [A] |
| 1 | CH077-5261 | 1 | PLATE-THRUST |
| 2 | CH202-2593 | 1 | SEAL-SHAFT |
| | CH202-2595 | 1 | KIT-SEAL (CHARGE PUMP) |
| 3 | CH202-2592 | 1 | PLATE-WEAR |
| 4 | CH8C-7323 | 8 | BOLT (3/8-16X6 IN) |
| 5 | CH8T-4896 | 8 | WASHER-HARD (10.2X18.5X2.5) |

[A] PART OF 162-9804; 165-7901 PUMP &
MOUNTING GP

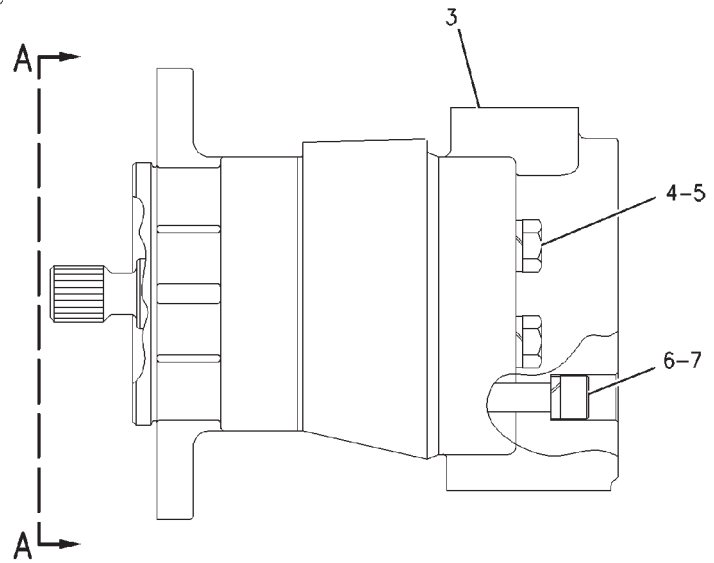
00896358
PR: t05b22n43d0360

MT800B SERIES TRACTORS
HYDRAULIC SYSTEM

PUMP GP-GEAR - CH207-3629
SCAVANGE PUMP
STEERING, IMPLEMENT & TRANS CHARGE



VIEW A-A



MT800B SERIES TRACTORS
HYDRAULIC SYSTEM

849

PUMP GP-GEAR - CH207-3629
SCAVANGE PUMP
STEERING, IMPLEMENT & TRANS CHARGE

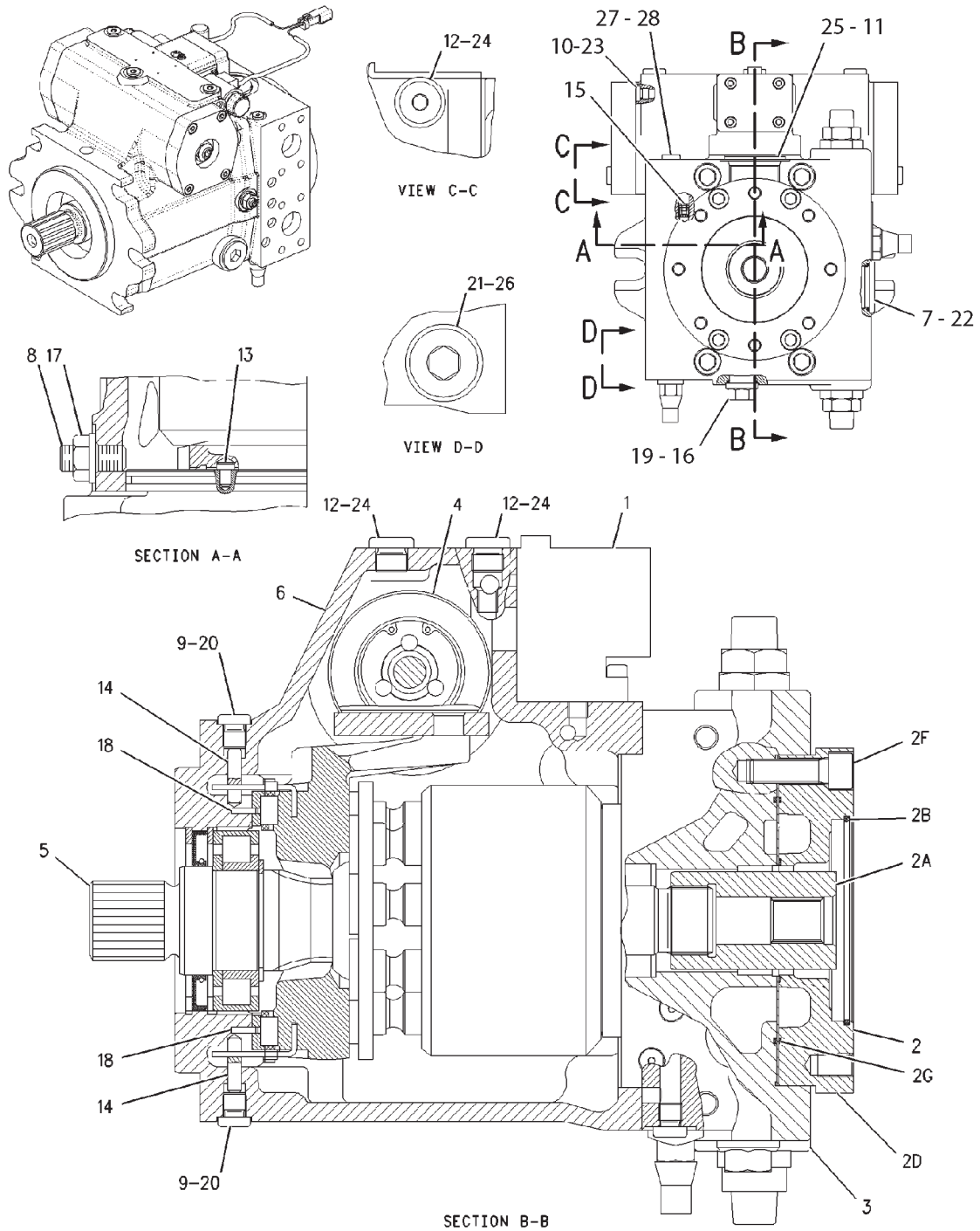
| ITEM | NUMBER | QTY | DESCRIPTION |
|------|------------|-----|------------------------|
| - | CH207-3629 | - | PUMP GP-GEAR [A] |
| 1 | CH4M-7668 | 1 | SEAL-LIP [B] |
| 2 | CH209-9079 | 1 | FLANGE |
| 3 | CH209-9078 | 1 | COVER |
| 4 | CH5P-8244 | 4 | WASHER (12X22.5X2.5) |
| 5 | CH9F-2491 | 4 | BOLT (7/16-14X3.75 IN) |
| 6 | CH210-0780 | 4 | WASHER |
| 7 | CH194-8673 | 4 | BOLT-SOCKET HEAD |
| - | CH210-0179 | 1 | KIT-SEAL |

[A] PART OF 158-2397 PUMP & MTG GP-HYD
[B] INCLUDED IN SEAL KIT

00852392
PR: t05b22n43d0361

MT800B SERIES TRACTORS
HYDRAULIC SYSTEM

PUMP GP-PISTON - CH162-9592
SCAVENGE PUMP SLIPPER



**MT800B SERIES TRACTORS
HYDRAULIC SYSTEM**

851

**PUMP GP-PISTON - CH162-9592
SCAVENGE PUMP SLIPPER**

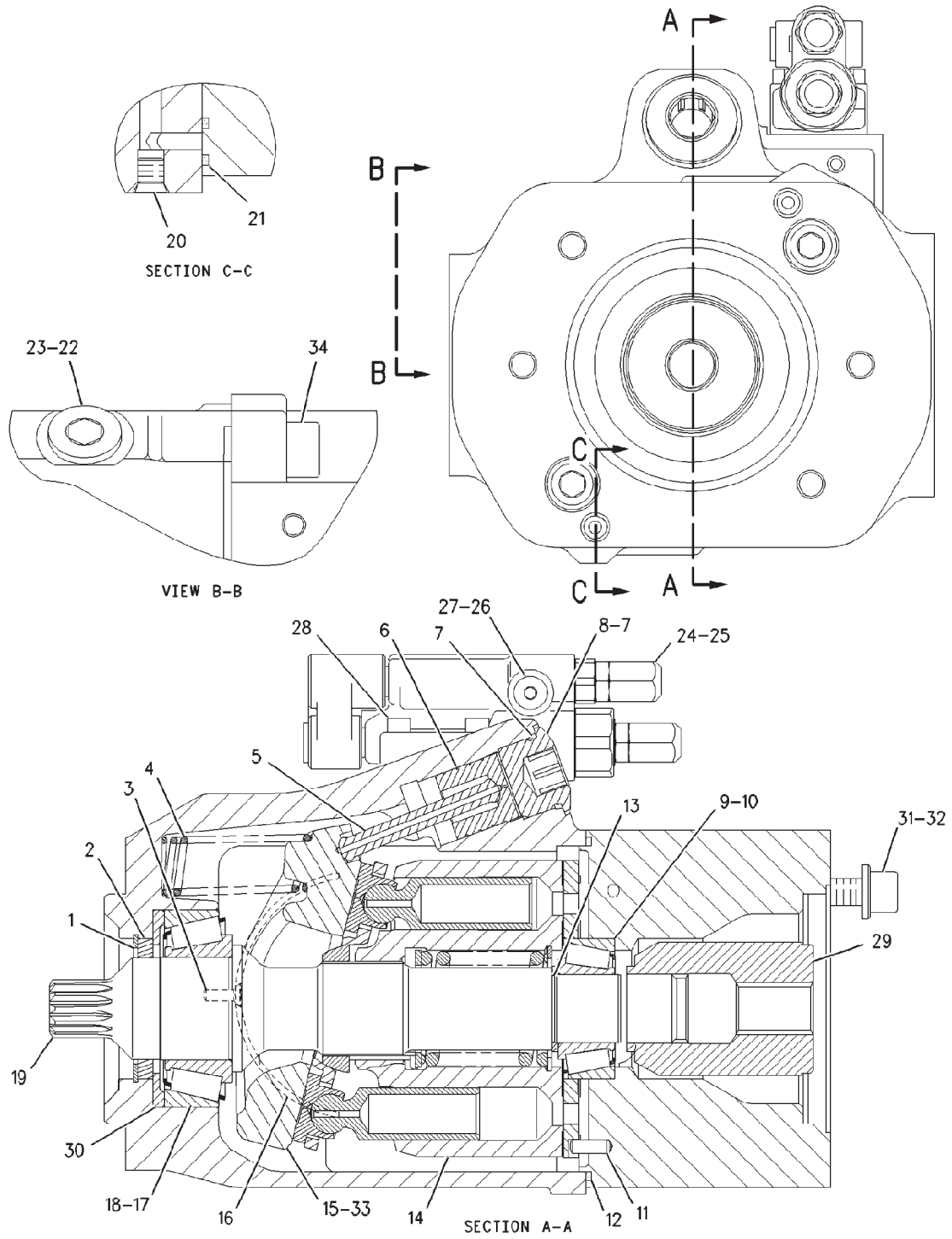
| ITEM | NUMBER | QTY | DESCRIPTION |
|------|------------|-----|---|
| - | CH162-9592 | - | PUMP GP-PISTON [A] |
| 1 | 205-6412 | 1 | VALVE GP-SERVO (SEE BREAKDOWN FOR COMPONENTS) |
| 2 | 502536D1 | 1 | DRIVE ASM (INCLUDES ITEMS 2A THRU 2G) |
| 2A | CH205-6395 | 1 | COUPLING |
| 2B | CH3K-0715 | 1 | SEAL-O-RING |
| 2D | 502537D1 | 1 | FLANGE |
| 2F | 400210X1 | 4 | BOLT-SOCKET HEAD (M12X1.75X40MM) |
| 2G | CH8C-5237 | 2 | SEAL-O-RING |
| 3 | 205-6398 | 1 | HEAD GP-PUMP (SEE BREAKDOWN FOR COMPONENTS) |
| 4 | CH183-8430 | 1 | ACTUATOR GP-PISTON PUMP (SEE BREAKDOWN FOR COMPONENTS) |
| 5 | 205-6400 | 1 | ROTATING GP-PUMP (SEE BREAKDOWN FOR COMPONENTS) |
| 6 | CH183-8454 | 1 | HOUSING |
| 7 | CH096-6095 | 1 | PLUG |
| 8 | CH123-7582 | 1 | PIN-THREADED |
| 9 | CH135-8854 | 3 | PLUG |
| 10 | CH137-3780 | 2 | PLUG (M10) |
| 11 | CH6K-6307 | 1 | SEAL-O-RING |
| 12 | 400318X1 | 4 | SEAL-O-RING |
| 13 | 205-6399 | 1 | PIN-ECCENTRIC |
| 14 | CH6E-4351 | 2 | PIN |
| 15 | CH126-1645 | 1 | ORIFICE |
| 16 | 502535D1 | 1 | PLUG |
| 17 | CH6E-4385 | 1 | LOCKNUT |
| 18 | CH6E-4614 | 2 | PIN |
| 19 | CH6V-5326 | 1 | SEAL-O-RING |
| 20 | CH6V-9028 | 2 | SEAL-O-RING |
| 21 | 7M-8485 | 1 | SEAL-O-RING |
| 22 | CH8C-5193 | 1 | SEAL-O-RING |
| 23 | CH8T-7876 | 2 | SEAL-O-RING |
| 24 | CH162-0177 | 4 | PLUG AS (INCLS SEAL-O-RING) |
| | 400318X1 | 1 | SEAL-O-RING |
| 25 | CH5P-7684 | 1 | PLUG |
| 26 | 400375X1 | 1 | PLUG |
| 27 | CH9S-8002 | 1 | PLUG |
| 28 | 400361X1 | 1 | SEAL-O-RING |

[A] PART OF 158-2397 PUMP & MTG
GP-HYDRAULIC

1629592A
PR: t05b22n43d0362

MT800B SERIES TRACTORS
HYDRAULIC SYSTEM

PUMP GP-PISTON - CH206-9017
87CC IMPLEMENT



**MT800B SERIES TRACTORS
HYDRAULIC SYSTEM**

853

**PUMP GP-PISTON - CH206-9017
87CC IMPLEMENT**

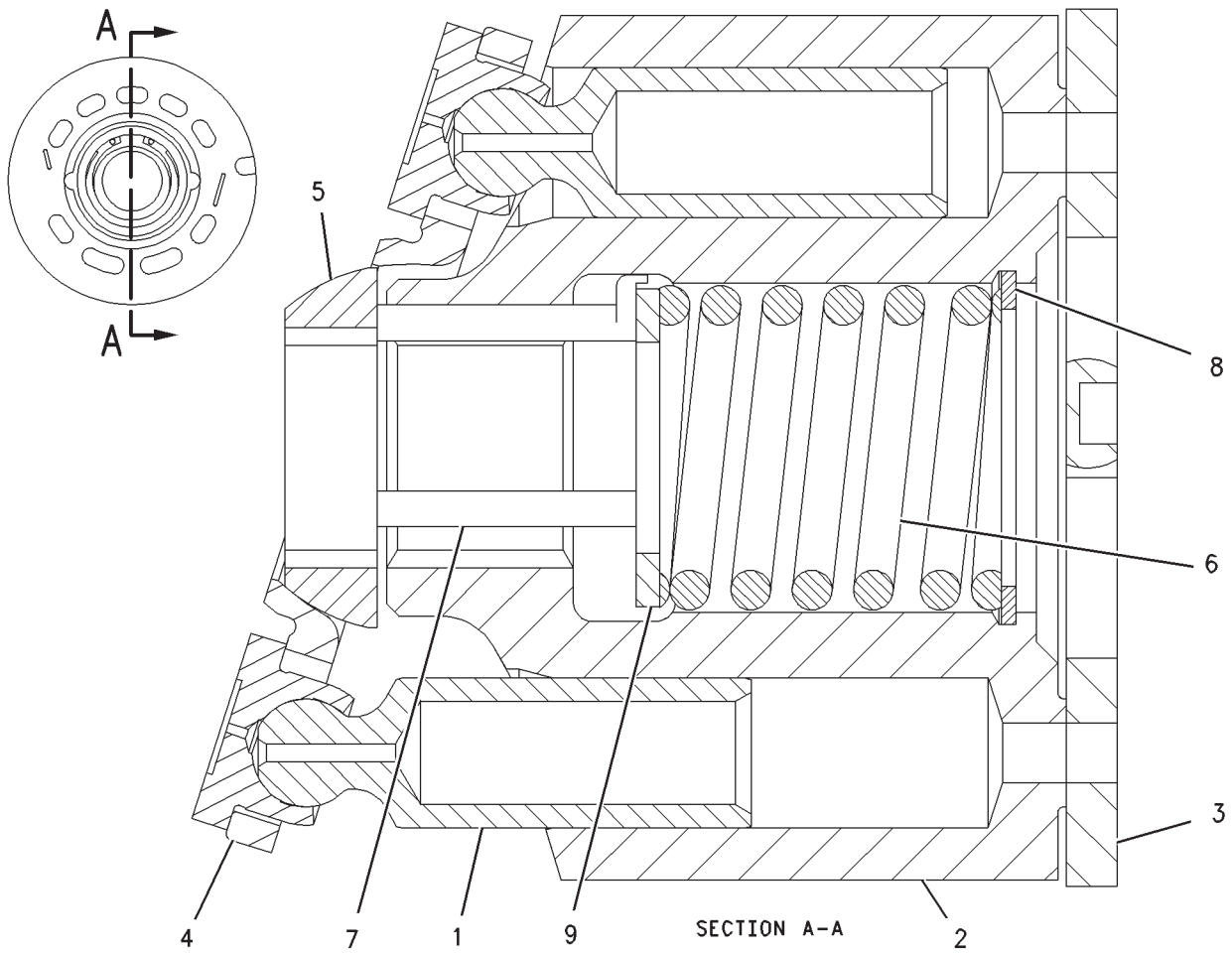
| ITEM | NUMBER | QTY | DESCRIPTION |
|------|------------|-----|---|
| - | CH206-9017 | - | PUMP GP-PISTON [A] |
| 1 | CH140-1739 | 1 | RING-RETAINING |
| 2 | CH105-1632 | 1 | SEAL |
| 3 | CH6R-7943 | 2 | SCREW (M5X15.5MM) |
| 4 | CH190-6519 | 1 | SPRING |
| 5 | CH190-3120 | 1 | LINK |
| 6 | 214-9201 | 1 | PISTON |
| 7 | CH6V-8978 | 1 | SEAL-O-RING |
| 8 | CH190-6518 | 1 | PLUG |
| 9 | CH105-3033 | 1 | CUP-BEARING |
| 10 | CH105-3032 | 1 | CONE-BEARING |
| 11 | CH9X-8979 | 1 | DOWEL |
| 12 | CH4V-2445 | 1 | SEAL-O-RING |
| 13 | CH105-1638 | 1 | SPACER |
| 14 | 190-3118 | 1 | ROTATING GP-PUMP (SEE BREAKDOWN FOR COMPONENTS) |
| 15 | CH190-6516 | 1 | SWASHPLATE |
| 16 | CH190-6523 | 2 | BEARING |
| 17 | CH3B-2263 | 1 | CUP-BEARING |
| 18 | CH105-3031 | 1 | CONE-BEARING |
| 19 | 214-9202 | 1 | SHAFT |
| 20 | CH136-8423 | 3 | PLUG-BREAK OFF |
| 21 | CH168-3504 | 2 | SEAL |
| 22 | CH9S-8008 | 1 | PLUG |
| 23 | 400416X1 | 1 | SEAL-O-RING |
| 24 | 214-9379 | 1 | VALVE GP-PRESS & FLOW CMPNSTR (SEE BREAKDOWN FOR COMPONENTS) |
| 25 | CH9X-7680 | 3 | SEAL-O-RING |
| 26 | CH9S-8002 | 1 | PLUG (4STOR HEX SKT) |
| 27 | 400361X1 | 1 | SEAL-O-RING |
| 28 | 400246X1 | 1 | BOLT-SOCKET HEAD (M6X1X30MM) |
| 29 | CH194-6848 | 1 | COUPLER |
| 30 | CH190-6520 | 1 | STOP |
| 31 | 400220X1 | 2 | BOLT-HEX SOCKET (M12X1.75X30MM) |
| 32 | 400357X1 | 2 | WASHER-HARD (M12X25.5X3) |
| 33 | CH214-9203 | 1 | PLUG-ORIFICE |
| 34 | 400238X1 | 4 | BOLT-SOCKET HEAD (M16X2X55MM) |

[A] PART OF 165-7901 PUMP & MOUNTING GP

00893848
PR: t05b22n43d0363

MT800B SERIES TRACTORS
HYDRAULIC SYSTEM

ROTATING GP-PUMP - 190-6501
63CC IMPLEMENT PUMP
ROW & EAME



MT800B SERIES TRACTORS
HYDRAULIC SYSTEM

855

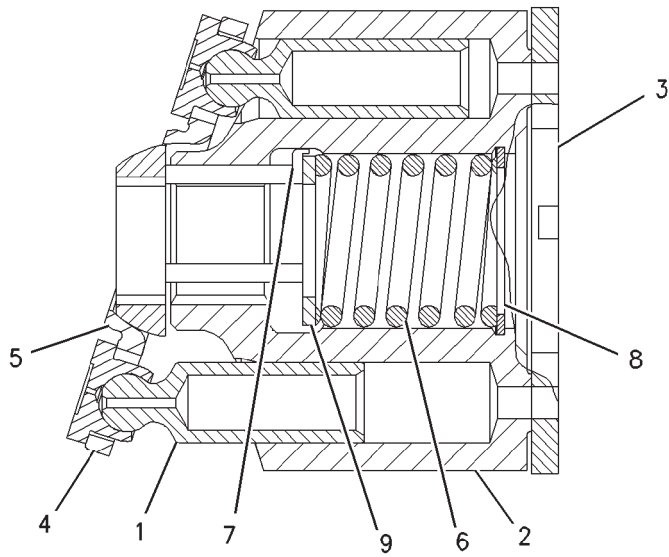
ROTATING GP-PUMP - 190-6501
63CC IMPLEMENT PUMP
ROW & EAME

| ITEM | NUMBER | QTY | DESCRIPTION |
|------|------------|-----|----------------------|
| - | 190-6501 | - | ROTATING GP-PUMP [A] |
| 1 | CH168-3384 | 9 | PISTON-PUMP |
| 2 | CH168-3380 | 1 | BARREL-CYLINDER |
| 3 | CH190-6508 | 1 | PLATE |
| 4 | CH168-3385 | 1 | PLATE-RETRACTION |
| 5 | CH168-3378 | 1 | BEARING-SPHERICAL |
| 6 | CH168-3381 | 1 | SPRING |
| 7 | CH168-3379 | 3 | PIN |
| 8 | CH6V-7723 | 1 | RING-RETAINING |
| 9 | CH168-3382 | 1 | WASHER |

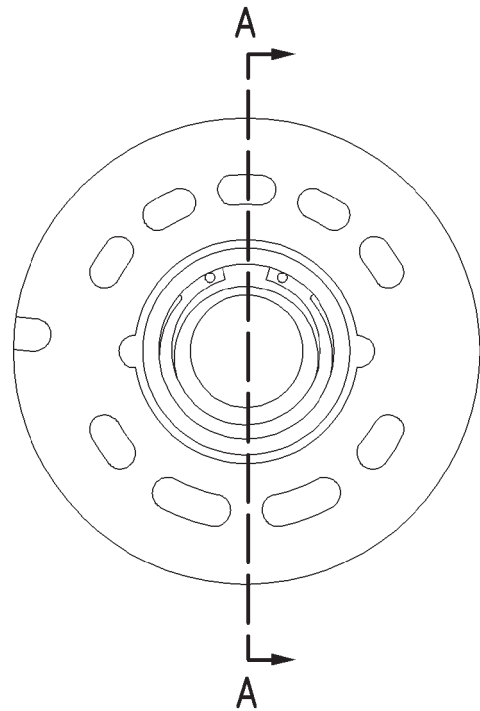
[A] PART OF 206-9019 PUMP GP-PISTON

00750145
PR: t05k07n15a0030

ROTATING GP-PUMP - 190-3118
87CC IMPLEMENT PUMP



VIEW A-A



ROTATION = LEFT

MT800B SERIES TRACTORS
HYDRAULIC SYSTEM

857

ROTATING GP-PUMP - 190-3118
87CC IMPLEMENT PUMP

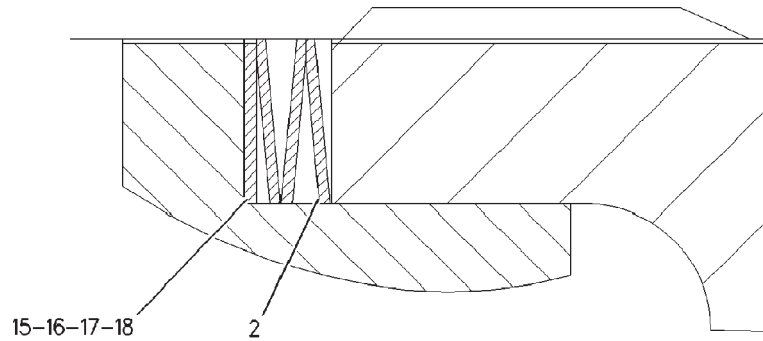
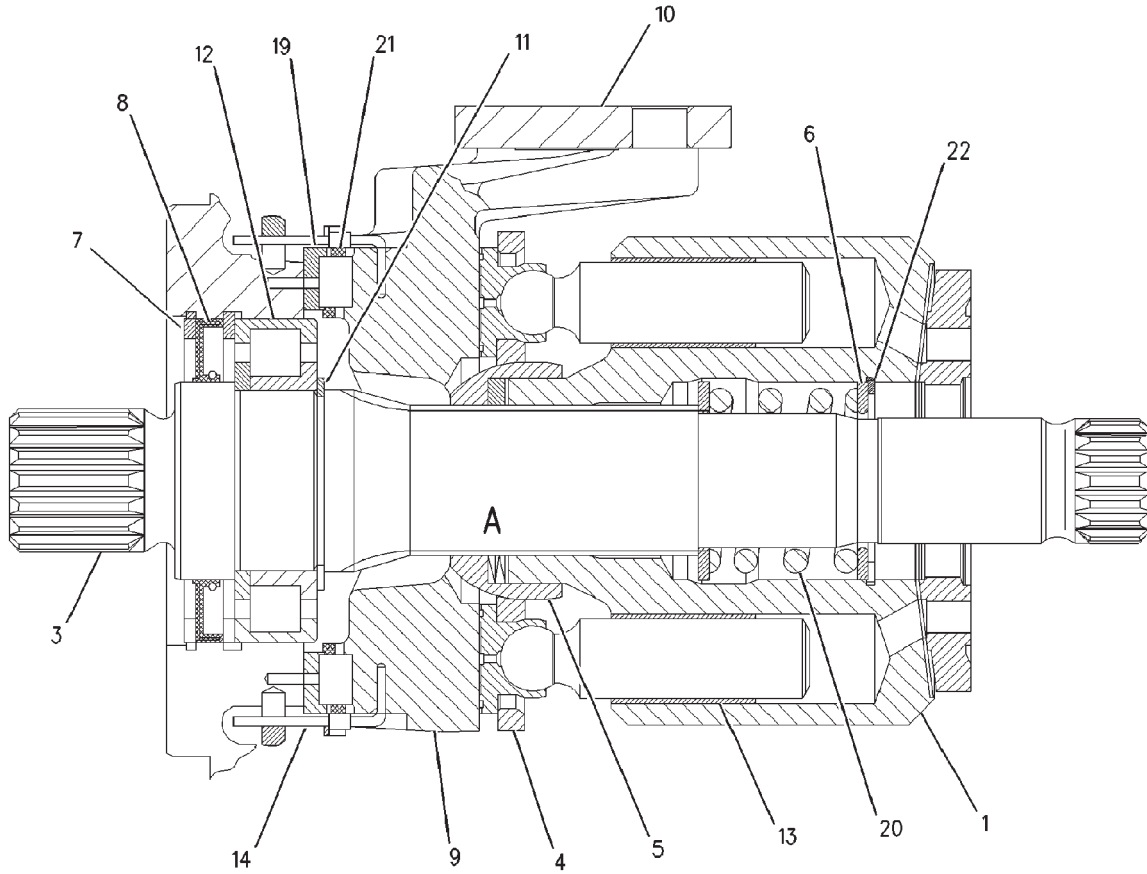
| ITEM | NUMBER | QTY | DESCRIPTION |
|------|------------|-----|----------------------|
| - | 190-3118 | - | ROTATING GP-PUMP [A] |
| 1 | CH105-1646 | 9 | PISTON-PUMP |
| 2 | 190-6526 | 1 | BARREL |
| 3 | 190-6525 | 1 | PLATE |
| 4 | CH188-9637 | 1 | PLATE-RETRACTION |
| 5 | CH105-1648 | 1 | BEARING |
| 6 | CH105-1651 | 1 | SPRING |
| 7 | CH190-6528 | 3 | PIN |
| 8 | CH6E-3343 | 1 | RING |
| 9 | CH105-1650 | 1 | SPACER-BARREL |

[A] PART OF CH206-9017 PUMP GP-PISTON

00750133
PR: t05b22n43d0364

MT800B SERIES TRACTORS
HYDRAULIC SYSTEM

ROTATING GP-PUMP - 205-6400
SCAVENGE PUMP



VIEW OF AREA A

MT800B SERIES TRACTORS
HYDRAULIC SYSTEM

859

ROTATING GP-PUMP - 205-6400
SCAVENGE PUMP

| ITEM | NUMBER | QTY | DESCRIPTION |
|------|------------|-----|----------------------|
| - | 205-6400 | - | ROTATING GP-PUMP [A] |
| 1 | CH183-8446 | 1 | BARREL |
| 2 | CH183-8447 | 1 | SPRING |
| 3 | 192-0938 | 1 | SHAFT |
| 4 | CH183-8449 | 1 | PLATE |
| 5 | CH183-8450 | 1 | BALL |
| 6 | CH183-8451 | 2 | WASHER |
| 7 | CH183-8452 | 2 | RING-RETAINING |
| 8 | CH183-8453 | 1 | RING-SEAL |
| 9 | CH122-6606 | 1 | SWASHPLATE |
| 10 | CH122-6607 | 1 | LEVER |
| 11 | CH141-0243 | 1 | RING-SNAP |
| 12 | CH6E-1571 | 1 | BEARING |
| 13 | CH6E-4358 | 9 | PISTON |
| 14 | CH6E-4363 | 2 | ROD |
| 15 | CH6E-4364 | | SHIM (1.2) |
| 16 | CH6E-4365 | | SHIM (1) |
| 17 | CH6E-4366 | | SHIM (.8) |
| 18 | CH6E-4367 | | SHIM (.6) |
| 19 | CH6E-4370 | 1 | GUIDE |
| 20 | CH6E-4373 | 1 | SPRING |
| 21 | CH6E-4374 | 1 | BEARING |
| 22 | CH9X-2858 | 1 | RING-RETAINING |

[A] PART OF CH162-9592 PUMP GP-PISTON

00853757
PR: t05b22n43d0365

860

MT800B SERIES TRACTORS
HYDRAULIC SYSTEM

VALVE AR - 193-8197
W/O HITCH & W/O HYDRAULIC TRAILER BRAKE

NO ILLUSTRATION

NOTIF15

MT800B SERIES TRACTORS
HYDRAULIC SYSTEM

861

VALVE AR - 193-8197
W/O HITCH & W/O HYDRAULIC TRAILER BRAKE

| ITEM | NUMBER | QTY | DESCRIPTION |
|------|----------|-----|--|
| - | 193-8197 | - | VALVE AR [A] (NOT SERVICED) |
| | 193-1548 | 1 | MOUNTING GP-VALVE (NOT SERVICED) (SEE BREAKDOWN FOR COMPONENTS) |
| | 192-4707 | 1 | VALVE GP-CONTROL (SEE BREAKDOWN FOR COMPONENTS) |

NOTIF15
PR: t05b22n43d0366

862

MT800B SERIES TRACTORS
HYDRAULIC SYSTEM

VALVE AR - 501070D1
W/O HITCH & W/HYDRAULIC TRAILER BRAKE

NO ILLUSTRATION

NOTIF15

MT800B SERIES TRACTORS
HYDRAULIC SYSTEM

863

VALVE AR - 501070D1
W/O HITCH & W/HYDRAULIC TRAILER BRAKE

| ITEM | NUMBER | QTY | DESCRIPTION |
|------|----------|-----|---|
| - | 501070D1 | - | VALVE AR [A] (NOT SERVICED) |
| | 162-9805 | 1 | MOUNTING GP-VALVE (NOT SERVICED) (SEE BREAKDOWN FOR COMPONENTS) |
| | 192-4816 | 1 | VALVE GP-BANK 2 (SEE BREAKDOWN FOR COMPONENTS) |
| - | 501130D1 | - | LINES GP-HYDRAULIC OIL (NOT SERVICED) (SEE BREAKDOWN FOR COMPONENTS) |

NOTIF15
PR: t05b22n43d0367

864

**MT800B SERIES TRACTORS
HYDRAULIC SYSTEM**

**VALVE AR - 193-8198
W/HITCH & W/O HYDRAULIC TRAILER BRAKE**

NO ILLUSTRATION

NOTIF15

**MT800B SERIES TRACTORS
HYDRAULIC SYSTEM**

865

**VALVE AR - 193-8198
W/HITCH & W/O HYDRAULIC TRAILER BRAKE**

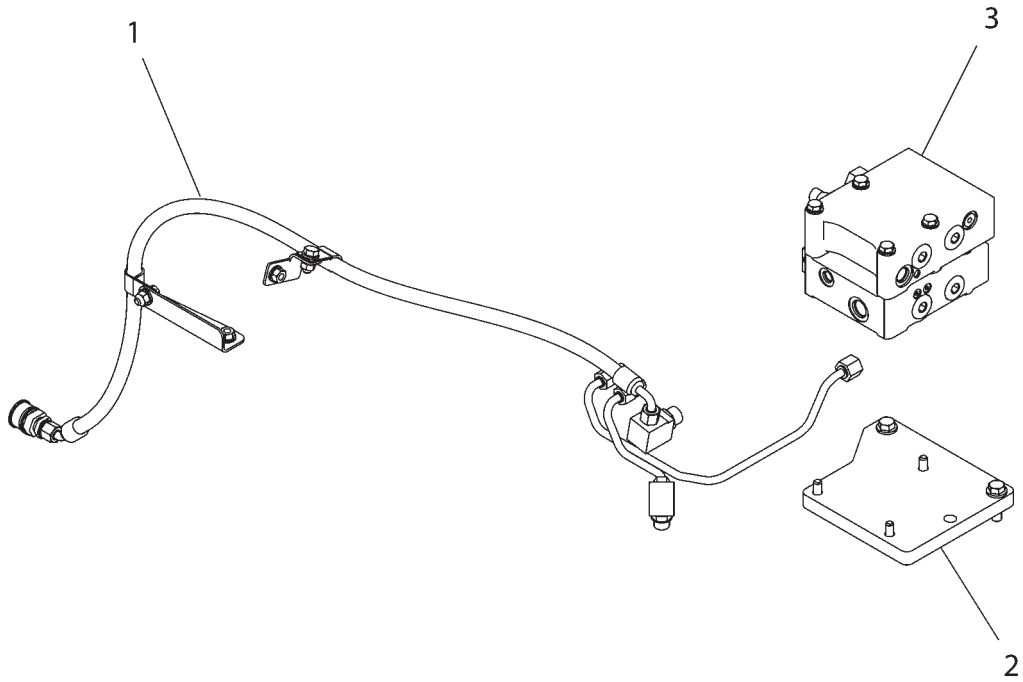
| ITEM | NUMBER | QTY | DESCRIPTION |
|------|----------|-----|--|
| - | 193-8198 | - | VALVE AR [A] (NOT SERVICED) (SEE BREAKDOWN FOR COMPONENTS) |
| | 193-1548 | 1 | MOUNTING GP-VALVE (NOT SERVICED) (SEE BREAKDOWN FOR COMPONENTS) |
| | 192-4708 | 1 | VALVE GP-BANK 3 (PRIORITY W/HITCH) (SEE BREAKDOWN FOR COMPONENTS) |

NOTIF15
PR: t05b22n43d0368

866

MT800B SERIES TRACTORS
HYDRAULIC SYSTEM

VALVE AR - 193-8199
W/O HITCH & W/HYDRAULIC TRAILER BRAKE
EAME ONLY



1938199C

**MT800B SERIES TRACTORS
HYDRAULIC SYSTEM**

867

**VALVE AR - 193-8199
W/O HITCH & W/HYDRAULIC TRAILER BRAKE
EAME ONLY**

| ITEM | NUMBER | QTY | DESCRIPTION |
|------|----------|-----|---|
| - | 193-8199 | - | VALVE AR [A] (NOT SERVICED) |
| 1 | 192-4816 | 1 | VALVE GP-CONTROL (SEE BREAKDOWN FOR COMPONENTS) |
| 2 | 162-9805 | 1 | MOUNTING GP-VALVE (NOT SERVICED) (SEE BREAKDOWN FOR COMPONENTS) |
| 3 | 193-1558 | 1 | LINES GP-HYDRAULIC (NOT SERVICED) (SEE BREAKDOWN FOR COMPONENTS) |

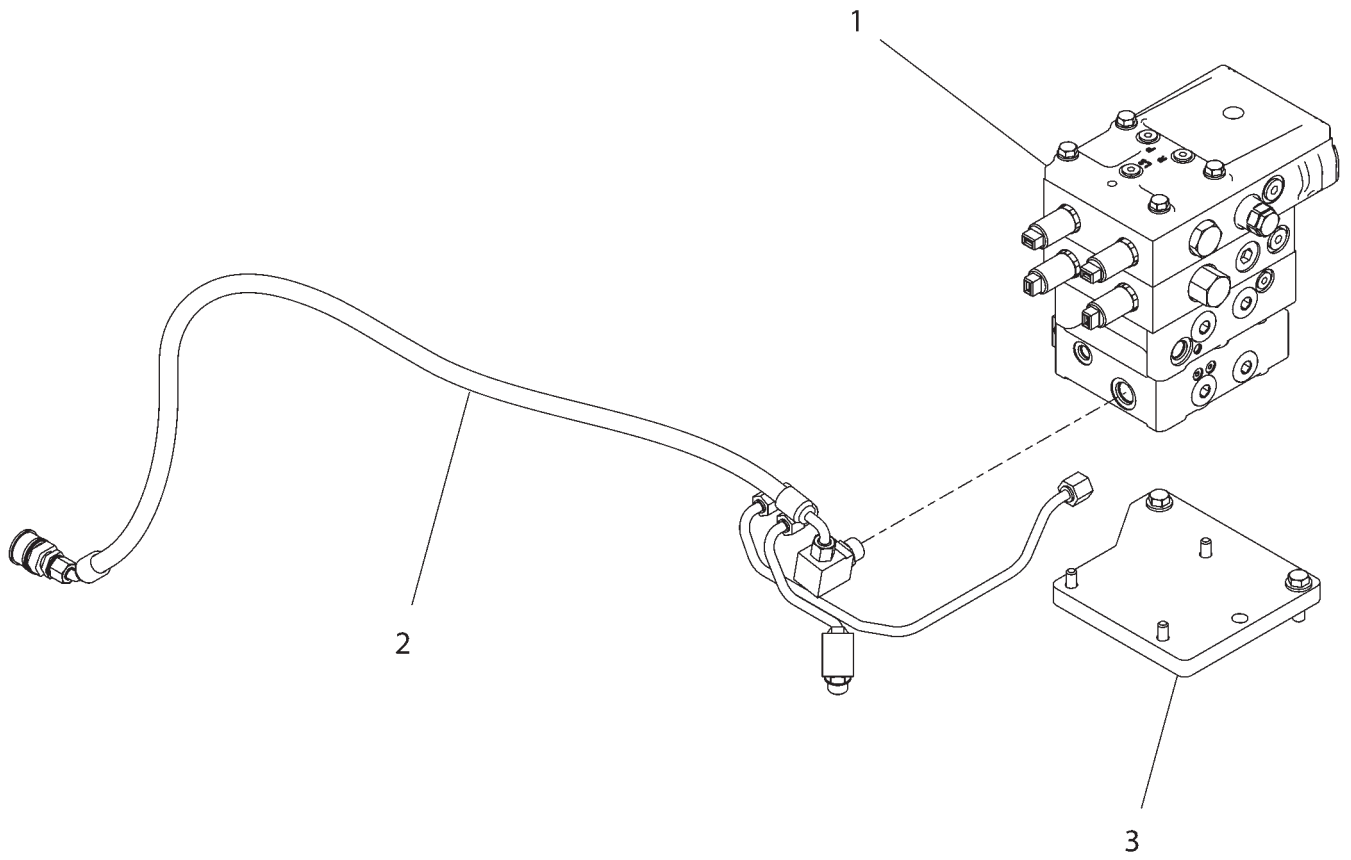
[A] PART OF 209-3688 KIT-HYD TR BRAKE

1938199C
PR: t05b22n43d0369

868

MT800B SERIES TRACTORS
HYDRAULIC SYSTEM

VALVE AR - 193-8200
W/HITCH & W/HYDRAULIC TRAILER BRAKE
EAME ONLY



1938200B

MT800B SERIES TRACTORS
HYDRAULIC SYSTEM

869

VALVE AR - 193-8200
W/HITCH & W/HYDRAULIC TRAILER BRAKE
EAME ONLY

| ITEM | NUMBER | QTY | DESCRIPTION |
|------|----------|-----|---|
| - | 193-8200 | - | VALVE AR [A] (NOT SERVICED) |
| 1 | 192-4817 | 1 | VALVE GP-BANK 4 |
| 2 | 193-1558 | 1 | LINES GP-HYDRAULIC OIL (NOT SERVICED, SEE BREAKDOWN) |
| 3 | 162-9805 | 1 | MOUNTING GP-VALVE (NOT SERVICED, SEE BREAKDOWN) |

[A] PART OF 186-0979; 189-3300
HITCH AR-3 POINT

1938200B
PR: t05b22n43d0370

870

MT800B SERIES TRACTORS
HYDRAULIC SYSTEM

VALVE AR-BANK 4 - 180-1434

NO ILLUSTRATION

NOTIF15

MT800B SERIES TRACTORS
HYDRAULIC SYSTEM

871

VALVE AR-BANK 4 - 180-1434

| ITEM | NUMBER | QTY | DESCRIPTION |
|------|----------|-----|---|
| - | 180-1434 | - | VALVE AR-BANK 4 (NOT SERVICED) |
| | 152-0443 | 1 | CONTROL GP-IMPLEMENT (NOT SERVICED) (SEE BREAKDOWN FOR COMPONENTS) |
| | 180-0494 | 1 | VALVE GP-BANK 4 (NOT SERVICED) (SEE BREAKDOWN FOR COMPONENTS) |

NOTIF15
PR: t05b22n43d0371

872

MT800B SERIES TRACTORS
HYDRAULIC SYSTEM

VALVE AR - 180-1438
5 IMPLEMENTS

NO ILLUSTRATION

NOTIF15

**MT800B SERIES TRACTORS
HYDRAULIC SYSTEM**

873

**VALVE AR - 180-1438
5 IMPLEMENTS**

| ITEM | NUMBER | QTY | DESCRIPTION |
|------|----------|-----|---|
| - | 180-1438 | - | VALVE AR-BANK 5 (NOT SERVICED) (SEE BREAKDOWN FOR COMPONENTS) |
| | 136-5670 | 1 | CONTROL & WIRING GP (SEE BREAKDOWN FOR COMPONENTS) |
| | 166-4590 | 1 | CONTROL GP-IMPLEMENT (NOT SERVICED) (SEE BREAKDOWN FOR COMPONENTS) |
| | 180-0495 | 1 | VALVE GP-BANK 5 (NOT SERVICED) (SEE BREAKDOWN FOR COMPONENTS) |

NOTIF15
PR: t05b22n43d0372

874

MT800B SERIES TRACTORS
HYDRAULIC SYSTEM

VALVE AR-IMPL - 500795D1
6 IMPLEMENTS

NO ILLUSTRATION

NOTIF15

**MT800B SERIES TRACTORS
HYDRAULIC SYSTEM**

875

**VALVE AR-IMPL - 500795D1
6 IMPLEMENTS**

| ITEM | NUMBER | QTY | DESCRIPTION |
|------|----------|-----|--|
| - | 500795D1 | - | VALVE AR-BANK 6 (NOT SERVICED) |
| 1 | 136-5670 | 1 | CONTROL & WIRING GP (NOT SERVICED) (SEE BREAKDOWN FOR COMPONENTS) |
| 2 | 500752D1 | 1 | VALVE GP-BANK 6 (NOT SERVICED) (SEE BREAKDOWN FOR COMPONENTS) |
| 3 | 502214D1 | 1 | LINES GP-ECOLOGY (NOT SERVICED) (SEE BREAKDOWN FOR COMPONENTS) |

NOTIF15
PR: t05b22n43d0373

876

MT800B SERIES TRACTORS
HYDRAULIC SYSTEM

VALVE AR-4 IMPL - 502051D1
HIGH FLOW
SPECIAL APPLICATIONS ONLY

NO ILLUSTRATION

NOTIF15

**MT800B SERIES TRACTORS
HYDRAULIC SYSTEM**

877

**VALVE AR-4 IMPL - 502051D1
HIGH FLOW
SPECIAL APPLICATIONS ONLY**

| ITEM | NUMBER | QTY | DESCRIPTION |
|------|----------|-----|--|
| - | 502051D1 | - | VALVE AR-BANK 4 (NOT SERVICED) |
| 1 | 502039D1 | 1 | VALVE GP-HIGH FLOW-BANK 4 (SEE BREAKDOWN FOR COMPONENTS) |
| 2 | 152-0443 | 1 | CONTROL & WIRING GP (NOT SERVICED) (SEE BREAKDOWN FOR COMPONENTS) |

NOTIF15
PR: t05b22n43d0374

878

MT800B SERIES TRACTORS
HYDRAULIC SYSTEM

VALVE AR-6 IMPL - 502052D1
HIGH FLOW
SPECIAL APPLICATIONS ONLY

NO ILLUSTRATION

NOTIF15

**MT800B SERIES TRACTORS
HYDRAULIC SYSTEM**

879

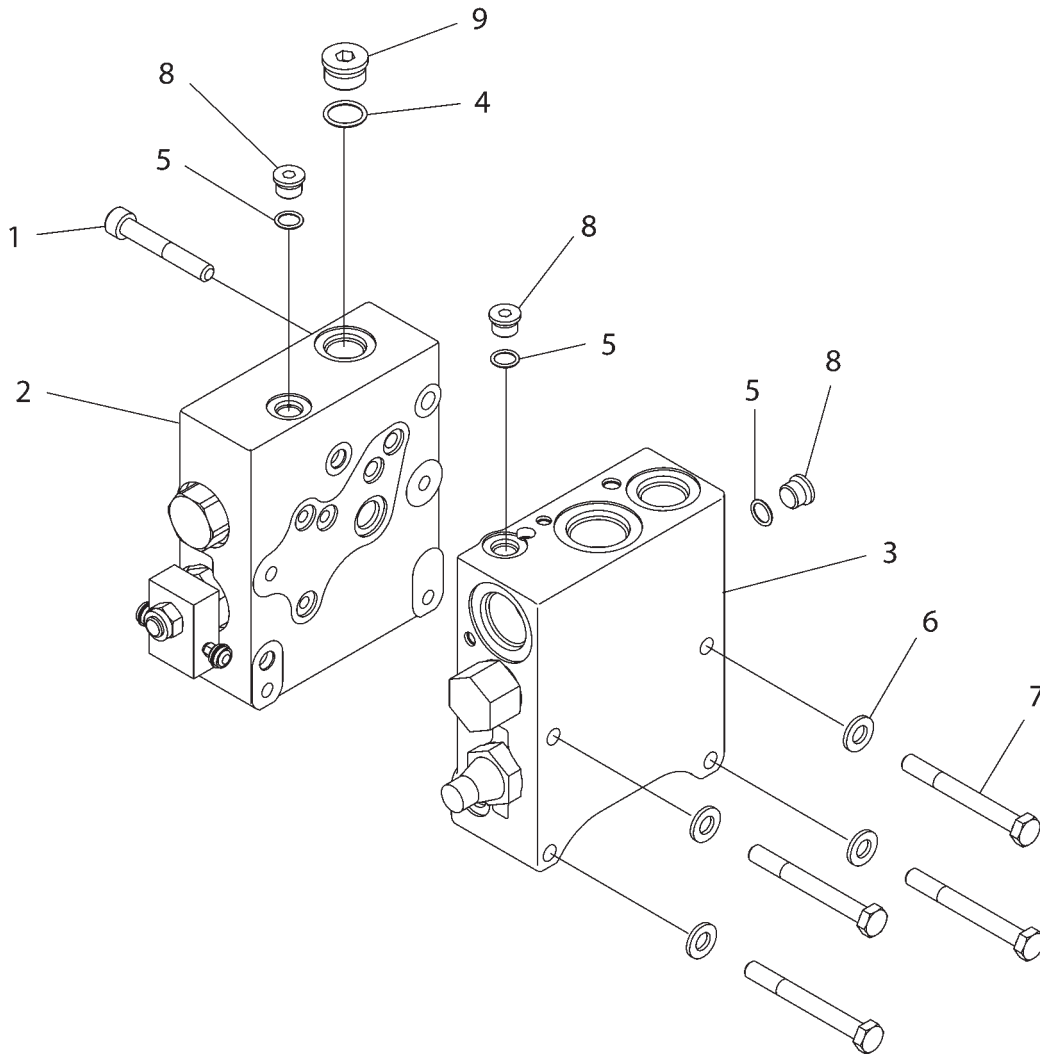
**VALVE AR-6 IMPL - 502052D1
HIGH FLOW
SPECIAL APPLICATIONS ONLY**

| ITEM | NUMBER | QTY | DESCRIPTION |
|------|----------|-----|---|
| - | 502052D1 | - | VALVE AR-BANK 6 (NOT SERVICED) (REFER TO ITEMS 1 THRU 4) |
| 1 | 502040D1 | 1 | VALVE GP-HIGH FLOW-BANK 6 (SEE BREAKDOWN FOR COMPONENTS) |
| 2 | 166-4590 | 1 | CONTROL GP-IMPLEMENT 5 (NOT SERVICED, SEE BREAKDOWN) |
| 3 | 152-0448 | 1 | CONTROL GP-IMPLEMENT 6 (NOT SERVICED, SEE BREAKDOWN) |
| 4 | 136-5670 | 1 | CONTROL & WIRING GP (NOT SERVICED, SEE BREAKDOWN) |

NOTIF15
PR: t05b22n43d0375

MT800B SERIES TRACTORS
HYDRAULIC SYSTEM

VALVE GP-BANK 2 - 192-4816
PRIORITY W/HYDRAULIC TRAILER BRAKE



1924816F

**MT800B SERIES TRACTORS
HYDRAULIC SYSTEM**

881

**VALVE GP-BANK 2 - 192-4816
PRIORITY W/HYDRAULIC TRAILER BRAKE**

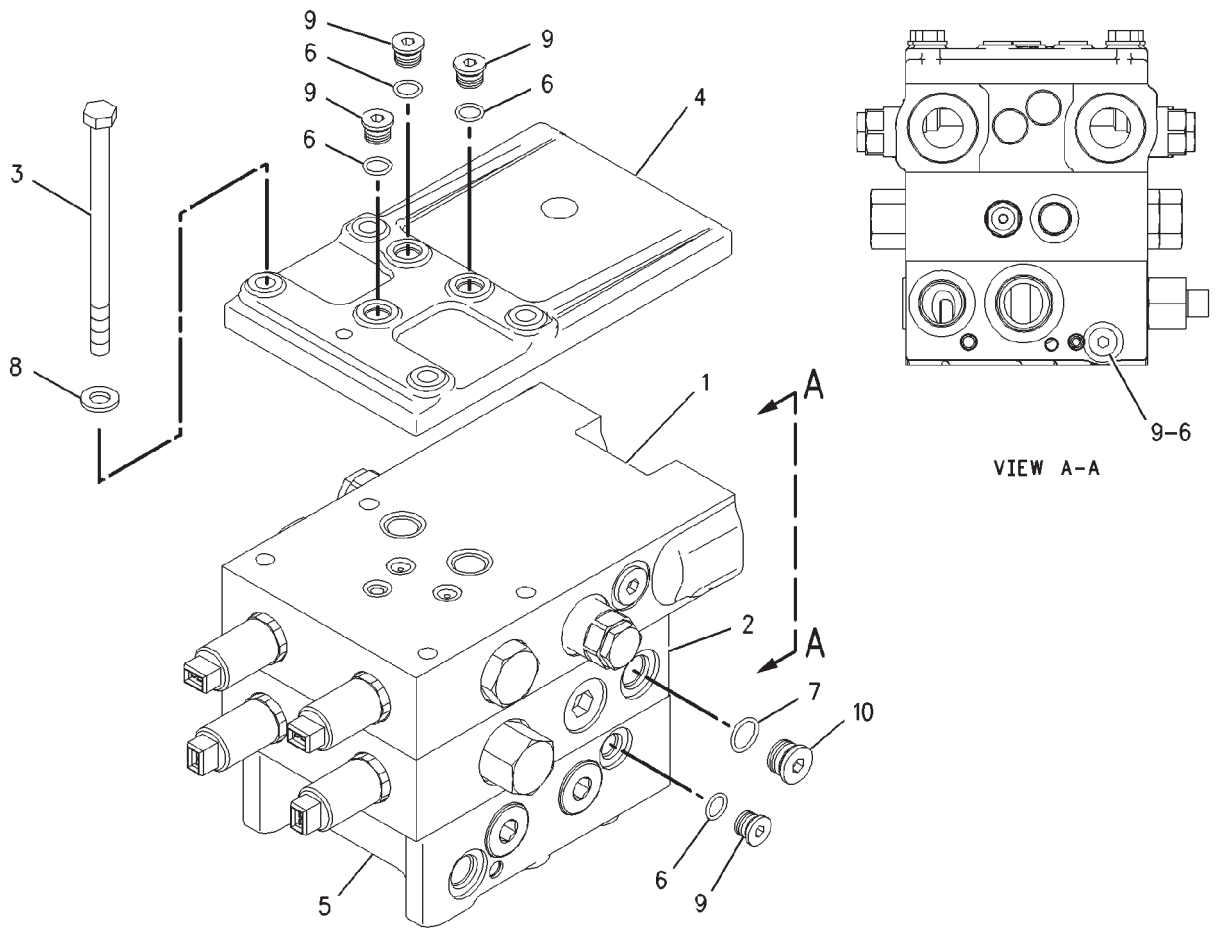
| ITEM | NUMBER | QTY | DESCRIPTION |
|------|------------|-----|---|
| - | 192-4816 | - | VALVE GP-BANK 2 [A] |
| 1 | CH8T-2392 | 1 | BOLT-HSHD (M10X1.5X65MM) |
| 2 | 196-2318 | 1 | VALVE GP-BRAKE CONTROL (HYD TRAILER BR) (SEE BREAKDOWN FOR COMPONENTS) |
| 3 | 209-5020 | 1 | VALVE GP-CONTROL (PRIORITY) (SEE BREAKDOWN FOR COMPONENTS) |
| 4 | 400319X1 | 1 | SEAL-O-RING (19.18 X 2.46 DIA) |
| 5 | 400318X1 | 3 | SEAL-O-RING (11.89 X 1.98 DIA) |
| 6 | 400287X1 | 4 | WASHER-HARD (11X21X2.5) |
| 7 | 400225X1 | 4 | BOLT-HEX HEAD (M10X1.5X90MM) |
| 8 | CH162-0177 | 1 | PLUG AS (9/16-18 STOR) |
| | 400318X1 | 1 | SEAL-O-RING |
| 9 | 400374X1 | 1 | PLUG |

[A] PART OF:
193-8199 VALVE AR
501070D1 VALVE AR
501140D1 VALVE AR

1924816F
PR: t05b22n43d0376

MT800B SERIES TRACTORS
HYDRAULIC SYSTEM

VALVE GP-BANK 3 - 192-4708
PRIORITY WITH HITCH



**MT800B SERIES TRACTORS
HYDRAULIC SYSTEM**

883

**VALVE GP-BANK 3 - 192-4708
PRIORITY WITH HITCH**

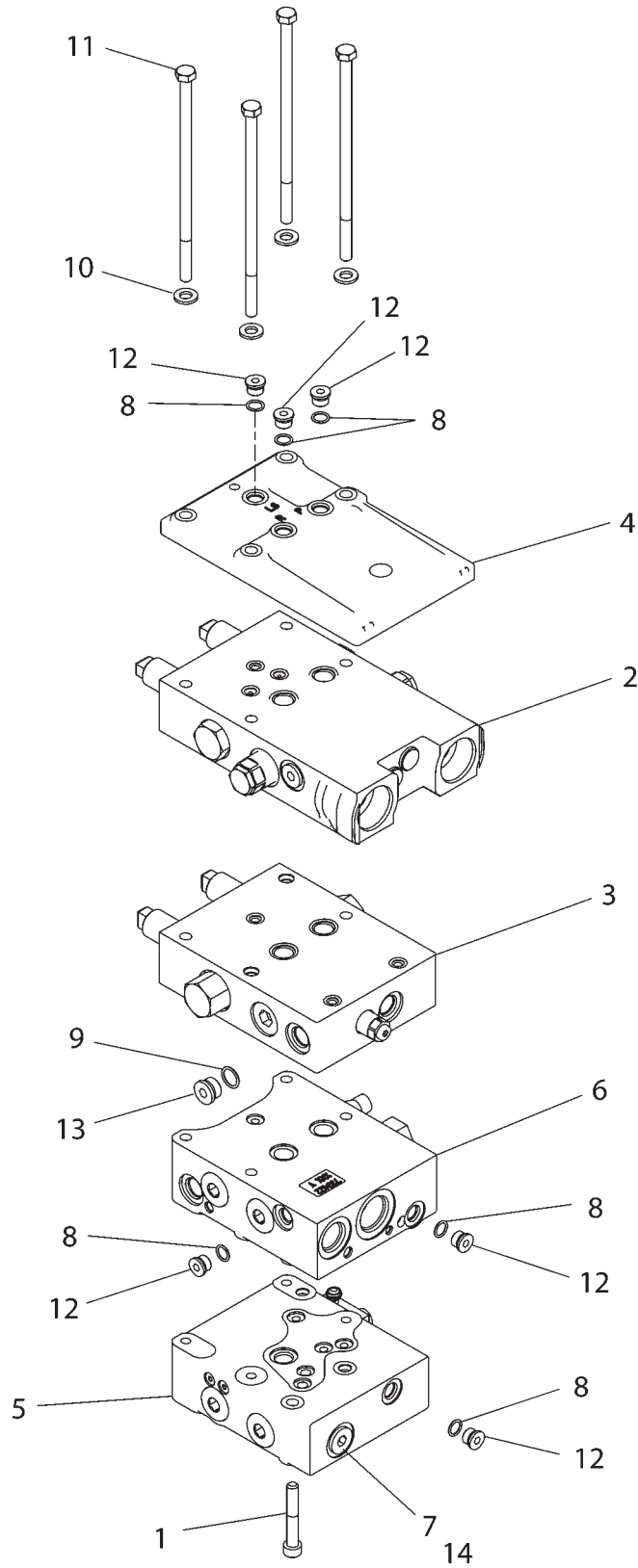
| ITEM | NUMBER | QTY | DESCRIPTION |
|------|------------|-----|---|
| - | 192-4708 | - | VALVE GP-BANK 3 [A] (SERVICED BY COMPONENTS) |
| 1 | 162-9817 | 1 | VALVE GP-CONTROL (STEERABLE HITCH) (SEE BREAKDOWN FOR COMPONENTS) |
| 2 | 162-9818 | 1 | VALVE GP-CONTROL (3 POINT HITCH) (SEE BREAKDOWN FOR COMPONENTS) |
| 3 | CH178-3333 | 4 | BOLT-HEX HEAD (M10X1.5X155MM) |
| 4 | 180-0500 | 1 | COVER-END |
| 5 | 209-5019 | 1 | VALVE GP-CONTROL (PRIORITY & ACCUMULATOR CHARGE) (SEE BREAKDOWN FOR COMPONENTS) |
| 6 | 400318X1 | 5 | SEAL-O-RING |
| 7 | CH3K-0360 | 1 | SEAL-O-RING (16.36IDX2.21DIA) |
| 8 | CH8T-4121 | 4 | WASHER-HARD (11X21X2.5) |
| 9 | CH162-0177 | 1 | PLUG AS (9/16-18 STOR) |
| | 400318X1 | 1 | SEAL-O-RING |
| 10 | CH148-8395 | 1 | PLUG AS (8STOR) (INCLS ITEM 7) |
| | CH3K-0360 | 1 | SEAL-O-RING (16.36IDX2.21DIA) |

[A] PART OF 169-0027; 169-0028 HITCH
AR-3 POINT; 193-8198 VALVE AR

00880872
PR: t05b22n43d0377

MT800B SERIES TRACTORS
HYDRAULIC SYSTEM

VALVE GP-BANK 4 - 192-4817
PRIORITY W/HITCH & W/HYDTRAILER BRAKES
EAME ONLY



**MT800B SERIES TRACTORS
HYDRAULIC SYSTEM**

885

**VALVE GP-BANK 4 - 192-4817
PRIORITY W/HITCH & W/HYD TRAILER BRAKES
EAME ONLY**

| ITEM | NUMBER | QTY | DESCRIPTION |
|------|------------|-----|--|
| - | 192-4817 | - | VALVE GP-BANK 4 |
| 1 | CH8T-2392 | 1 | BOLT-SOCKET HEAD (M10X1.5X65MM) |
| 2 | 162-9817 | 1 | VALVE GP-CONTROL (STEERABLE 3PT HITCH) (SEE BREAKDOWN FOR COMPONENTS) |
| 3 | 162-9818 | 1 | VALVE GP-CONTROL (3 POINT HITCH) (SEE BREAKDOWN FOR COMPONENTS) |
| 4 | 180-0500 | 1 | COVER-END |
| 5 | 196-2318 | 1 | VALVE GP-BRAKE CONTROL (HYD TRAILER) (SEE BREAKDOWN FOR COMPONENTS) |
| 6 | 209-5021 | 1 | VALVE GP-CONTROL (PRIORITY) (SEE BREAKDOWN FOR COMPONENTS) |
| 7 | 400319X1 | 1 | SEAL-O-RING (19.18IDX2.46DIA) |
| 8 | 400318X1 | 6 | SEAL-O-RING (11.89IDX1.98DIA) |
| 9 | CH3K-0360 | 1 | SEAL-O-RING (16.36IDX2.21DIA) |
| 10 | 400287X1 | 4 | WASHER-HARD (11X21X2.5) |
| 11 | CH7X-0474 | 4 | BOLT (M10X1.5X220MM) |
| 12 | CH162-0177 | 1 | PLUG AS (9/16-18 STOR) |
| | 400318X1 | 1 | SEAL-O-RING |
| 13 | CH148-8395 | 1 | PLUG AS (8STOR) (INCLS ITEM 9) |
| | CH3K-0360 | 1 | SEAL-O-RING (16.36IDX2.21DIA) |
| 14 | 400374X1 | 1 | PLUG |

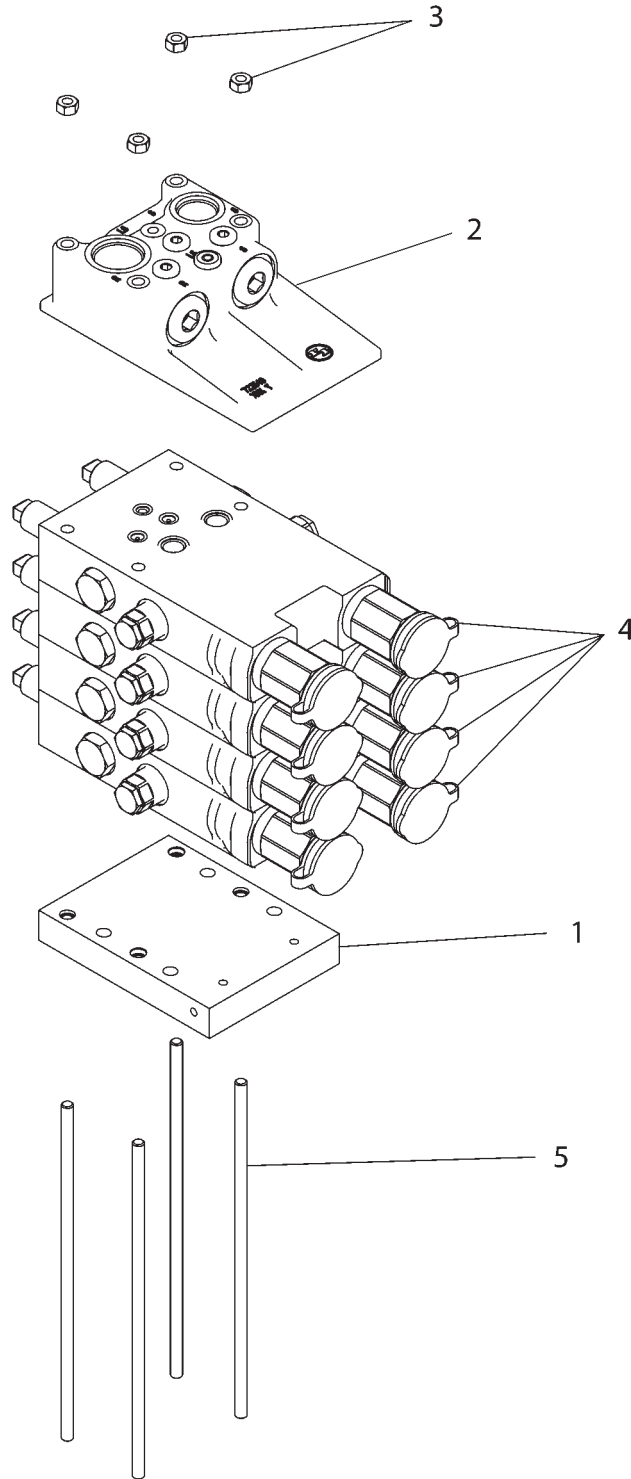
PART OF 193-8200 VALVE AR

1924817G
PR: t05b22n43d0378

886

MT800B SERIES TRACTORS
HYDRAULIC SYSTEM

VALVE GP-HIGH FLOW-BANK 4 - 502039D1
IMPLEMENT



502039D1

MT800B SERIES TRACTORS
HYDRAULIC SYSTEM

887

VALVE GP-HIGH FLOW-BANK 4 - 502039D1
IMPLEMENT

| ITEM | NUMBER | QTY | DESCRIPTION |
|------|------------|-----|--|
| - | 502039D1 | - | VALVE GP-HIGH FLOW-BANK 4 [A] |
| 1 | 187-7430 | 1 | MOUNT |
| 2 | 227-8830 | 1 | VALVE GP-FLOW CONTROL & RELIEF (SEE BREAKDOWN FOR COMPONENTS) |
| 3 | 7774664 | 4 | NUT (M10X1.5) |
| 4 | 502038D1 | 4 | VALVE GP-CONTROL (HIGH FLOW) (SEE BREAKDOWN FOR COMPONENTS) |
| 5 | CH209-7496 | 4 | STUD |

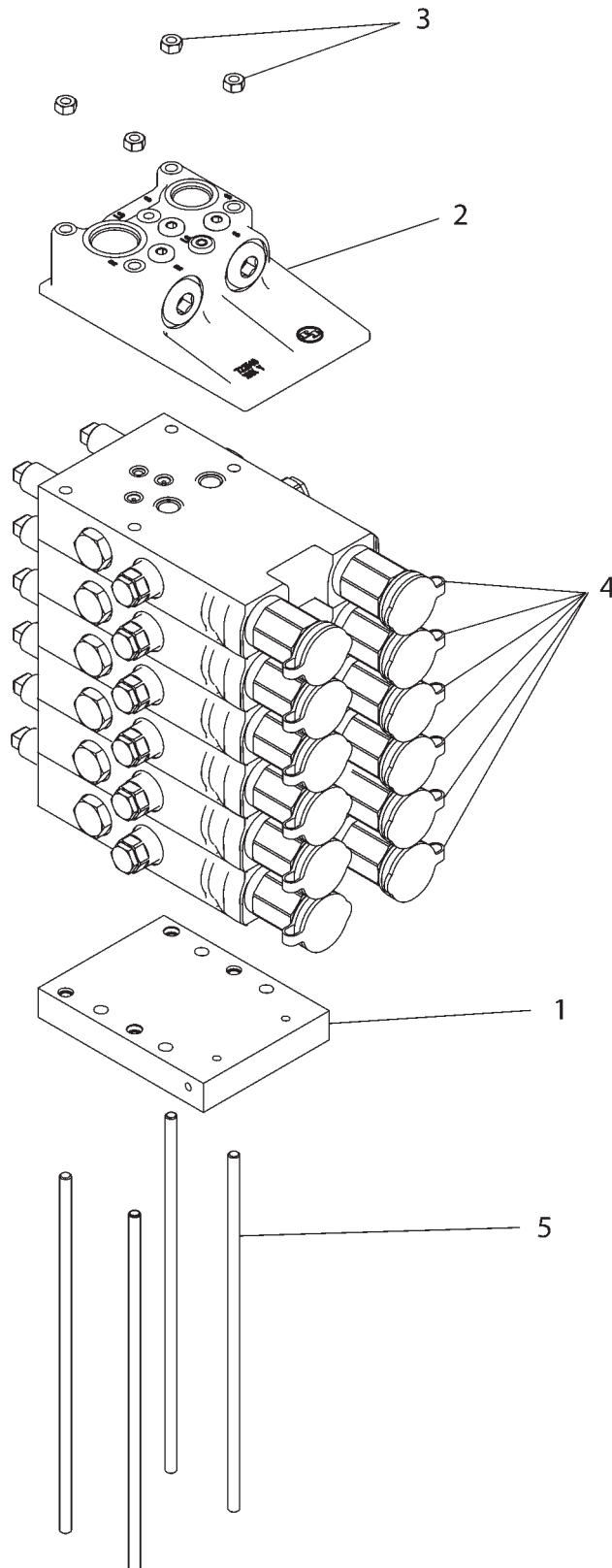
[A] PART OF 502051D1 VALVE AR-4 IMPL

502039DB
PR: t05b22n43d0379

888

MT800B SERIES TRACTORS
HYDRAULIC SYSTEM

VALVE GP-HIGH FLOW-BANK 6 - 502040D1
IMPLEMENT
SPECIAL APPLICATIONS ONLY



502040D1

MT800B SERIES TRACTORS
HYDRAULIC SYSTEM

889

VALVE GP-HIGH FLOW-BANK 6 - 502040D1
IMPLEMENT
SPECIAL APPLICATIONS ONLY

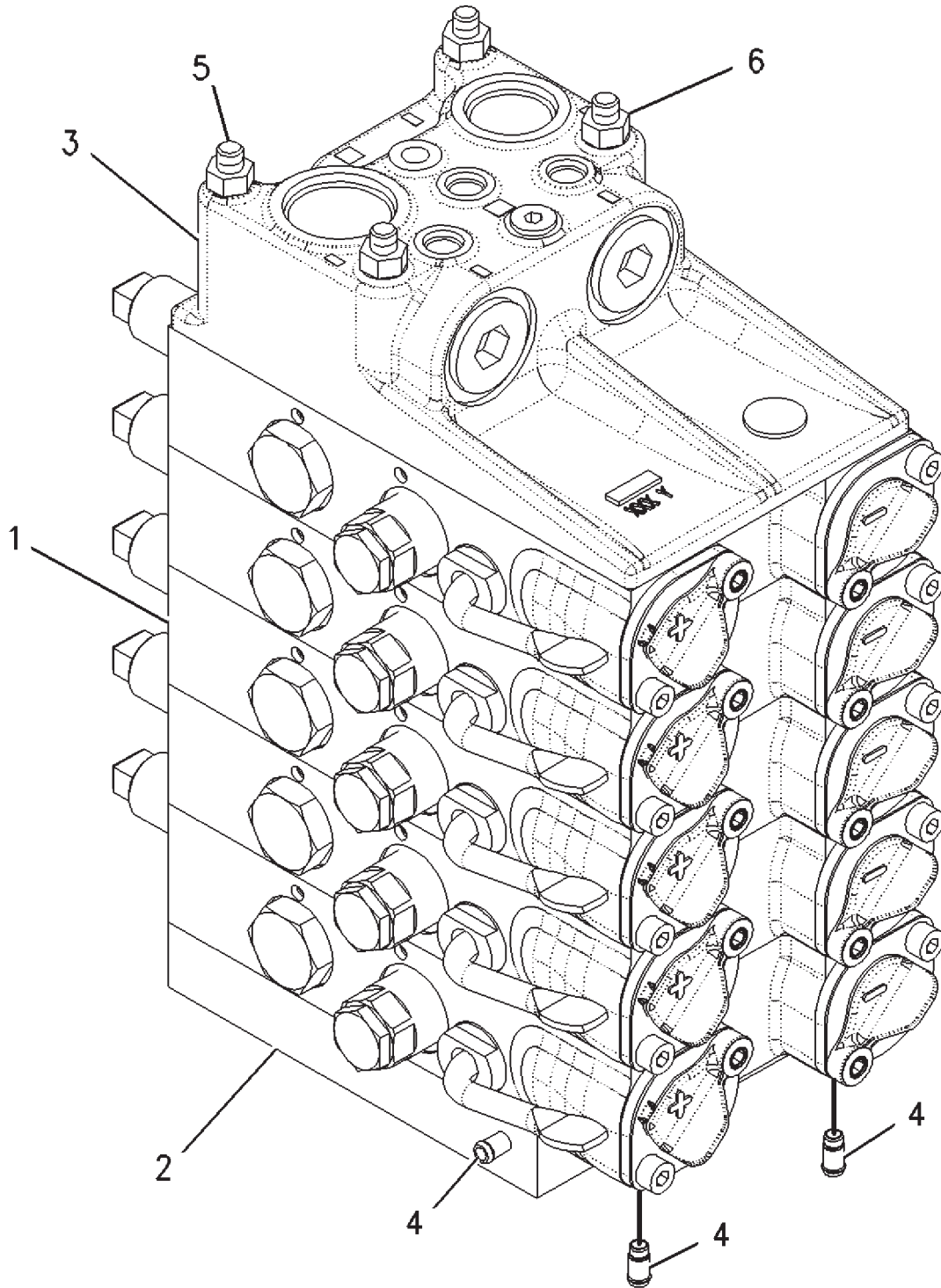
| ITEM | NUMBER | QTY | DESCRIPTION |
|------|----------|-----|--|
| - | 502040D1 | - | VALVE GP-HIGH FLOW-BANK 6 [A] |
| 1 | 187-7430 | 1 | MOUNT |
| 2 | 227-8830 | 1 | VALVE GP-FLOW CONTROL & RELIEF (SEE BREAKDOWN FOR COMPONENTS) |
| 3 | 7774664 | 4 | NUT (M10X1.5) |
| 4 | 502038D1 | 6 | VALVE GP-CONTROL (HIGH FLOW) (SEE BREAKDOWN FOR COMPONENTS) |
| 5 | 209-7498 | 4 | STUD |

[A] PART OF 502052D1 VALVE AR-6 IMPL

502040DB
PR: t05b22n43d0380

MT800B SERIES TRACTORS
HYDRAULIC SYSTEM

VALVE GP-BANK 5 - 180-0495
IMPLEMENT



**MT800B SERIES TRACTORS
HYDRAULIC SYSTEM**

891

**VALVE GP-BANK 5 - 180-0495
IMPLEMENT**

| ITEM | NUMBER | QTY | DESCRIPTION |
|------|------------|-----|--|
| - | 180-0495 | - | VALVE GP-BANK 5 [A] (NOT SERVICED) |
| 1 | 162-9816 | 5 | VALVE GP-CONTROL (SEE BREAKDOWN FOR COMPONENTS) |
| 2 | 187-7430 | 1 | MOUNT |
| 3 | 227-8830 | 1 | VALVE GP-FLOW CONTROL & RELIEF (SEE BREAKDOWN FOR COMPONENTS) |
| 4 | CH188-3640 | 3 | FITTING |
| 5 | 209-7497 | 4 | STUD |
| 6 | 7774664 | 4 | NUT (M10X1.5) |

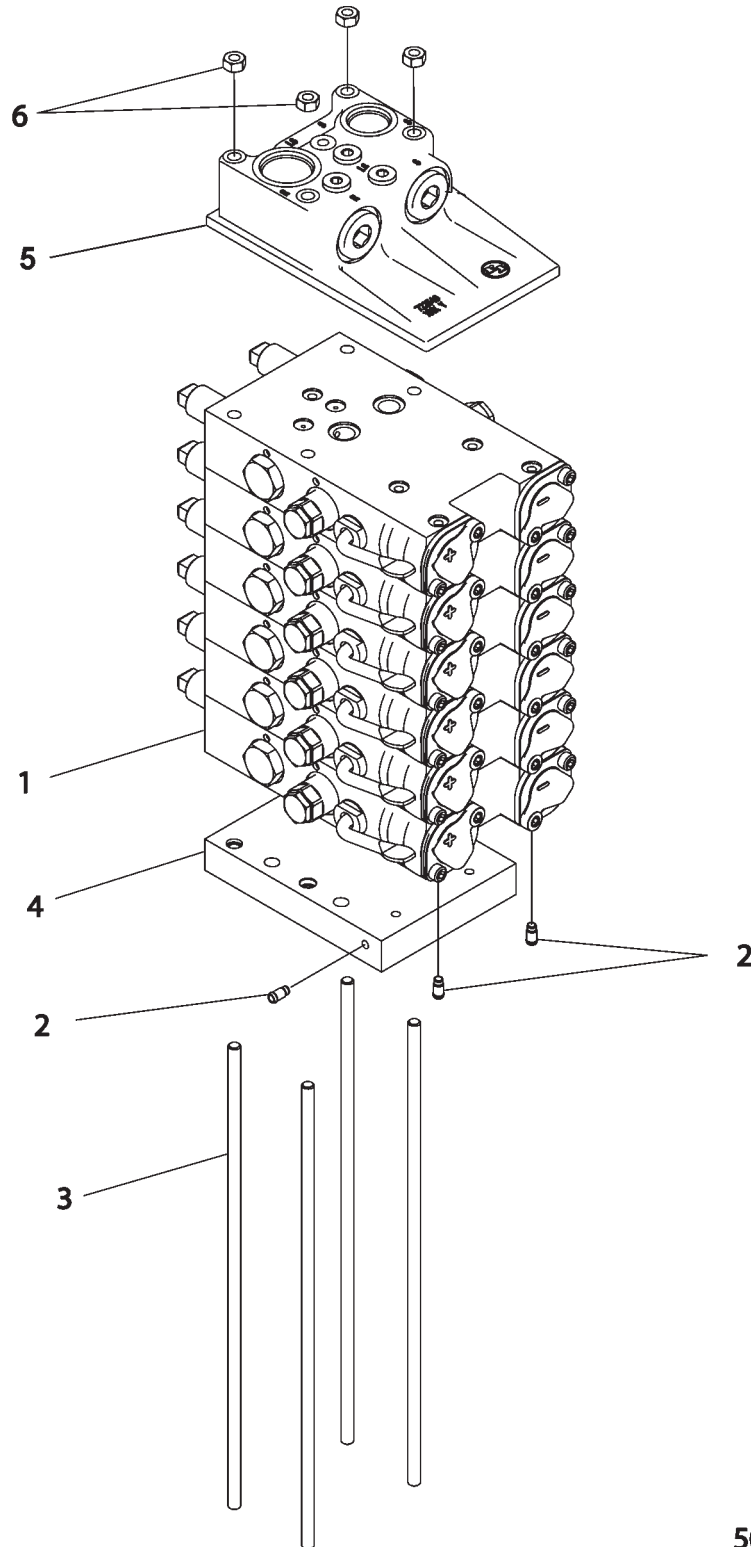
[A] PART OF 180-1438 VALVE AR-BANK 5

00886217
PR: t05b22n43d0381

892

MT800B SERIES TRACTORS
HYDRAULIC SYSTEM

VALVE GP-BANK 6 - 500752D1
5 REMOTES



500752DB

**MT800B SERIES TRACTORS
HYDRAULIC SYSTEM**

893

**VALVE GP-BANK 6 - 500752D1
5 REMOTES**

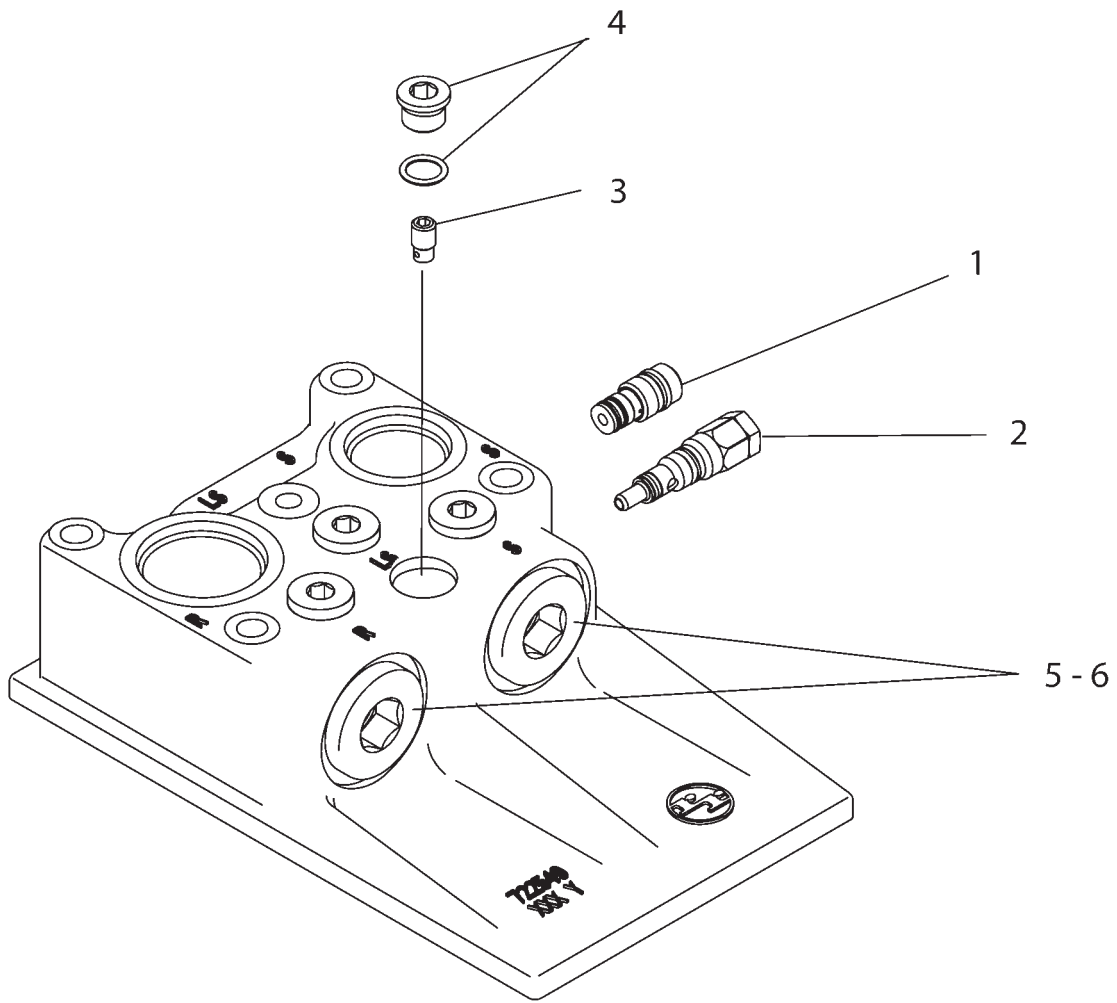
| ITEM | NUMBER | QTY | DESCRIPTION |
|------|------------|-----|--|
| - | 500752D1 | - | VALVE GP-BANK 6 [A] (NOT SERVICED) |
| 1 | 162-9816 | 6 | VALVE GP-CONTROL (SEE BREAKDOWN FOR COMPONENTS) |
| 2 | CH188-3640 | 3 | FITTING |
| 3 | CH209-7498 | 4 | STUD |
| 4 | 187-7430 | 1 | MOUNT |
| 5 | 227-8830 | 1 | VALVE GP-FLOW CONTROL & RELIEF (SEE BREAKDOWN FOR COMPONENTS) |
| 6 | 7774664 | 4 | NUT (M10X1.5) |

[A] PART OF 500795D1 VALVE AR-IMPL

500752DB
PR: t05b22n43d0383

MT800B SERIES TRACTORS
HYDRAULIC SYSTEM

VALVE GP-FLOW CONTROL&RELIEF - 227-8830
IMPLEMENT



2278830B

MT800B SERIES TRACTORS
HYDRAULIC SYSTEM

895

VALVE GP-FLOW CONTROL&RELIEF - 227-8830
IMPLEMENT

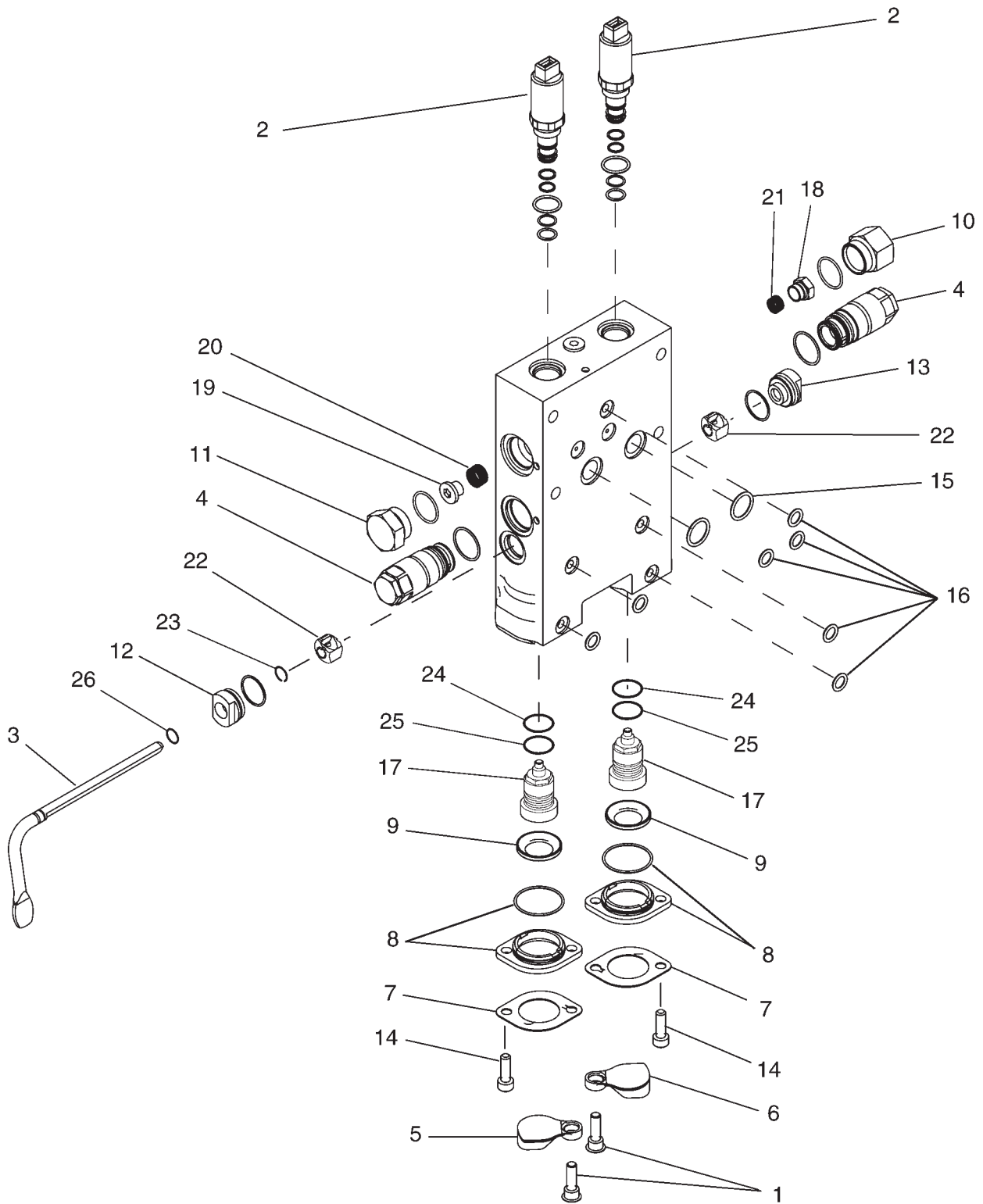
| ITEM | NUMBER | QTY | DESCRIPTION |
|------|------------|-----|--|
| - | 227-8830 | - | VALVE GP-INLET FLOW CONTROL & RELIEF [A] |
| 1 | 227-8726 | 1 | VALVE GP-FLOW CNTRL (INCL SEALS & RINGS) |
| | CH209-7451 | 1 | RING-BACKUP |
| | CH209-7452 | 1 | RING-BACKUP |
| | CH033-5879 | 1 | SEAL-O-RING |
| | CH192-7111 | 1 | SEAL-O-RING |
| 2 | 227-8727 | 1 | VALVE GP-RELIEF (INCLS SEALS & RINGS) |
| | CH033-5879 | 1 | SEAL-O-RING |
| | CH192-7111 | 1 | SEAL-O-RING |
| | CH209-7451 | 2 | RING-BACKUP |
| | CH209-7452 | 1 | RING-BACKUP |
| 3 | 188-3642 | 1 | VALVE GP-CHECK (HYD POWER BEYOND LOAD SENSOR) |
| 4 | CH162-0177 | 1 | PLUG AS (9/16-18 STOR) |
| | 400318X1 | 1 | SEAL-O-RING |
| 5 | 400376X1 | 2 | SEAL-O-RING |
| 6 | 400375X1 | 2 | PLUG |

[A] PART OF: 180-0494 VALVE GP-BANK 4,
180-0495 VALVE GP-BANK 5 &
500752D1 VALVE GP-BANK 6

2278830B
PR: t05b22n43d0384

MT800B SERIES TRACTORS
HYDRAULIC SYSTEM

VALVE GP-CONTROL - 162-9816
IMPLEMENT



**MT800B SERIES TRACTORS
HYDRAULIC SYSTEM**

897

**VALVE GP-CONTROL - 162-9816
IMPLEMENT**

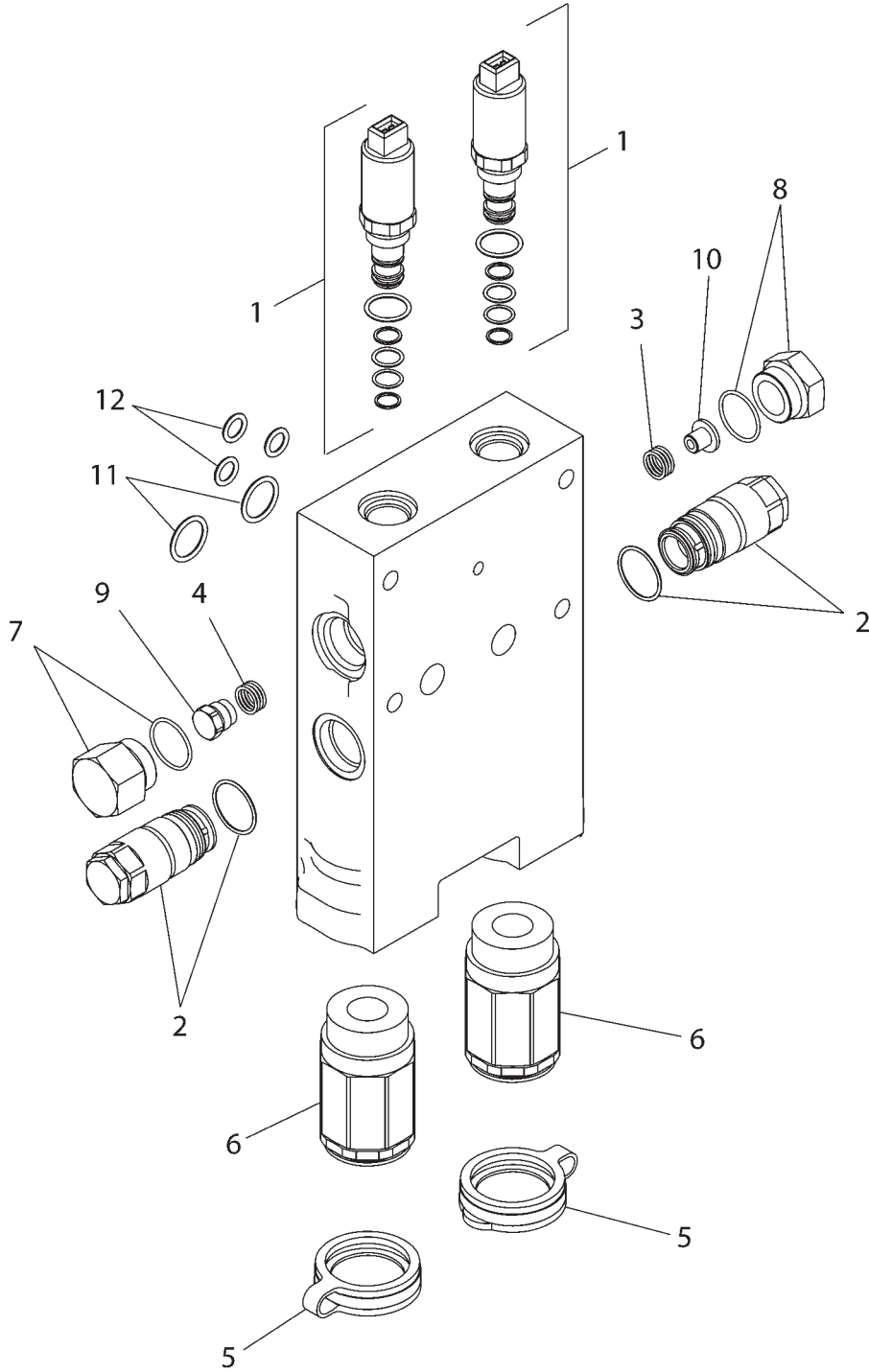
| ITEM | NUMBER | QTY | DESCRIPTION |
|------|------------|-----|---------------------------------------|
| - | 162-9816 | - | VALVE GP-CONTROL [A] |
| 1 | CH162-9821 | 2 | BOLT (M8X1X25MM)) |
| 2 | 165-8537 | 2 | VALVE GP-SOLENOID & PRESS REDC |
| | CH209-9680 | 1 | KIT-SEAL (VALVE GP-CHECK) |
| 3 | CH186-0341 | 1 | LEVER |
| 4 | 186-0346 | 2 | VALVE GP-CHECK (INCLUDES SEAL-O-RING) |
| | CH033-6032 | 1 | SEAL-O-RING |
| 5 | CH186-0347 | 1 | COVER-DUST |
| 6 | CH186-0348 | 1 | COVER-DUST |
| 7 | CH186-0364 | 2 | PLATE |
| 8 | CH186-0365 | 2 | PLATE ASM |
| | CH187-9630 | 1 | SEAL-O-RING |
| 9 | CH186-0367 | 2 | SEAL |
| 10 | CH186-0368 | 1 | PLUG AS (STOR, M28) |
| | CH175-3135 | 1 | SEAL-O-RING (25.1IDX1.78DIA) |
| 11 | CH186-0369 | 1 | PLUG AS (M28 STOR) |
| | CH175-3135 | 1 | SEAL-O-RING (25.1IDX1.78DIA) |
| 12 | CH186-0375 | 1 | CAP AS (INCLUDES SEAL-O-RING) |
| | CH162-9799 | 1 | SEAL-O-RING (24.5IDX1.5DIA) |
| 13 | CH186-0376 | 1 | CAP ASM |
| | CH162-9799 | 1 | SEAL-O-RING |
| 14 | CH209-8296 | 2 | BOLT-SOCKET HEAD (M8X1.25X25MM) |
| 15 | CH5P-9186 | 2 | SEAL-O-RING |
| 16 | CH8L-2777 | 7 | SEAL-O-RING |
| 17 | 186-0342 | 2 | COUPLING GP (INCL SEAL) |
| | CH146-4350 | 1 | SEAL |
| 18 | CH186-0370 | 1 | PLUG |
| 19 | CH186-0371 | 1 | PLUG |
| 20 | 186-0372 | 1 | SPRING |
| 21 | 186-0373 | 1 | SPRING |
| 22 | 186-0377 | 2 | CAM |
| 23 | CH096-2323 | 1 | RING-RETAINING |
| 24 | CH146-4351 | 2 | SEAL |
| 25 | CH5D-6539 | 2 | SEAL-O-RING |
| 26 | CH3E-4296 | 1 | SEAL-O-RING |

[A] PART OF 209-8218; 209-8219
CONVERSION GP-CONTROL VALVE;
500752D1 VALVE GP

1629816D
PR: t05b22n43d0385

MT800B SERIES TRACTORS
HYDRAULIC SYSTEM

VALVE GP-CONTROL - 502038D1
HIGH FLOW



**MT800B SERIES TRACTORS
HYDRAULIC SYSTEM**

899

**VALVE GP-CONTROL - 502038D1
HIGH FLOW**

| ITEM | NUMBER | QTY | DESCRIPTION |
|------|------------|-----|---------------------------------------|
| - | 502038D1 | - | VALVE GP-CONTROL [A] |
| 1 | 165-8537 | 2 | VALVE GP-SOLENOID & PRESS REDC |
| | CH209-9680 | 1 | KIT-SEAL (VALVE GP-CHECK) |
| 2 | 186-0346 | 2 | VALVE GP-CHECK (INCLUDES SEAL-O-RING) |
| | CH033-6032 | 1 | SEAL-O-RING |
| 3 | 186-0372 | 1 | SPRING-METER |
| 4 | 186-0373 | 1 | SRPING-COMP |
| 5 | 501947D1 | 2 | PLUG-DUST- X42.8 |
| 6 | 502031D1 | 2 | COUPLER AS |
| 7 | CH186-0368 | 1 | PLUG AS-STOR, M28 |
| | CH175-3135 | 1 | SEAL-O-RING |
| 8 | CH186-0369 | 1 | PLUG AS-M28 STOR |
| | CH175-3135 | 1 | SEAL-O-RING |
| 9 | CH186-0370 | 1 | PLUG, M15 STOR |
| 10 | CH186-0371 | 1 | PLUG, M10 STOR |
| 11 | CH5P-9186 | 2 | SEAL-O-RING 20.3IDX2.62DIA |
| 12 | CH8L-2777 | 3 | SEAL-O-RING 10.77IDX2.62DIA |

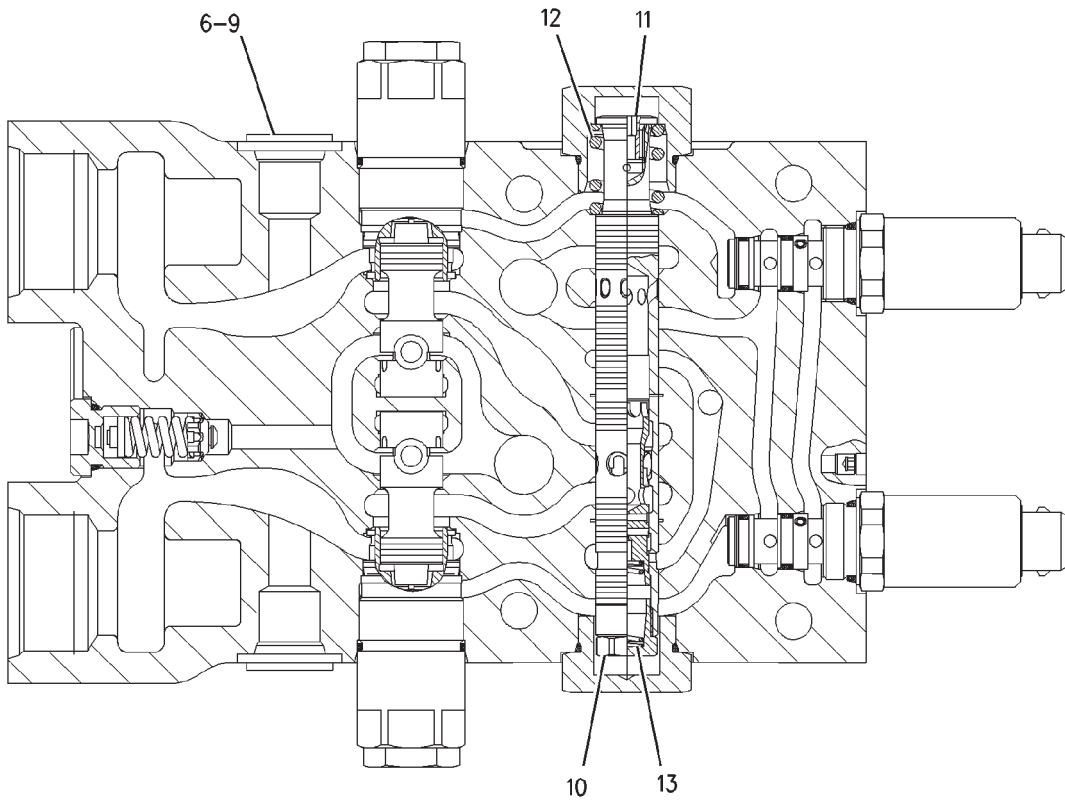
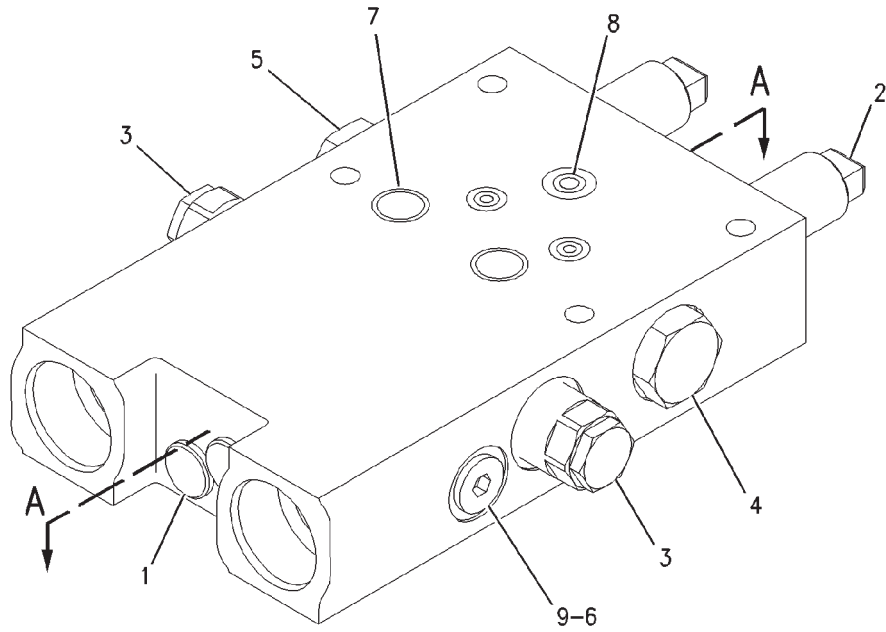
[A] PART OF 502039D1 VALVE GP-BANK 4

502038DB
PR: t05b22n43d0386

900

MT800B SERIES TRACTORS
HYDRAULIC SYSTEM

VALVE GP-CONTROL - 162-9817
STEERABLE HITCH



SECTION A-A

00886104

**MT800B SERIES TRACTORS
HYDRAULIC SYSTEM**

901

**VALVE GP-CONTROL - 162-9817
STEERABLE HITCH**

| ITEM | NUMBER | QTY | DESCRIPTION |
|------|------------|-----|-------------------------------------|
| - | 162-9817 | - | VALVE GP-CONTROL [A] |
| 1 | 162-9822 | 2 | VALVE GP-RELIEF (INCLS O-RING SEAL) |
| | 400322X1 | 1 | SEAL-O-RING (19.28 ID X 1.78 DIA) |
| 2 | 165-8537 | 2 | VALVE GP-SOLENOID & PRESS REDC |
| | CH209-9680 | | KIT-SEAL (SOLENOID VALVE) |
| 3 | 186-0346 | 2 | VALVE GP-CHECK |
| | CH033-6032 | 1 | SEAL-O-RING |
| 4 | CH186-0368 | 1 | PLUG ASM |
| | CH175-3135 | 1 | SEAL-O-RING |
| 5 | CH186-0369 | 1 | PLUG ASM |
| | CH175-3135 | 1 | SEAL-O-RING |
| 6 | CH3K-0360 | 2 | SEAL-O-RING (16.36IDX2.21DIA) |
| 7 | CH5P-9186 | 2 | SEAL-O-RING |
| 8 | CH8L-2777 | 3 | SEAL-O-RING |
| 9 | CH148-8395 | 1 | PLUG AS (8STOR) (INCLS ITEM 6) |
| | CH3K-0360 | 1 | SEAL-O-RING (16.36IDX2.21DIA) |
| 10 | 186-0370 | 1 | PLUG |
| 11 | CH186-0371 | 1 | PLUG |
| 12 | CH186-0372 | 1 | SPRING |
| 13 | 186-0373 | 1 | SPRING |

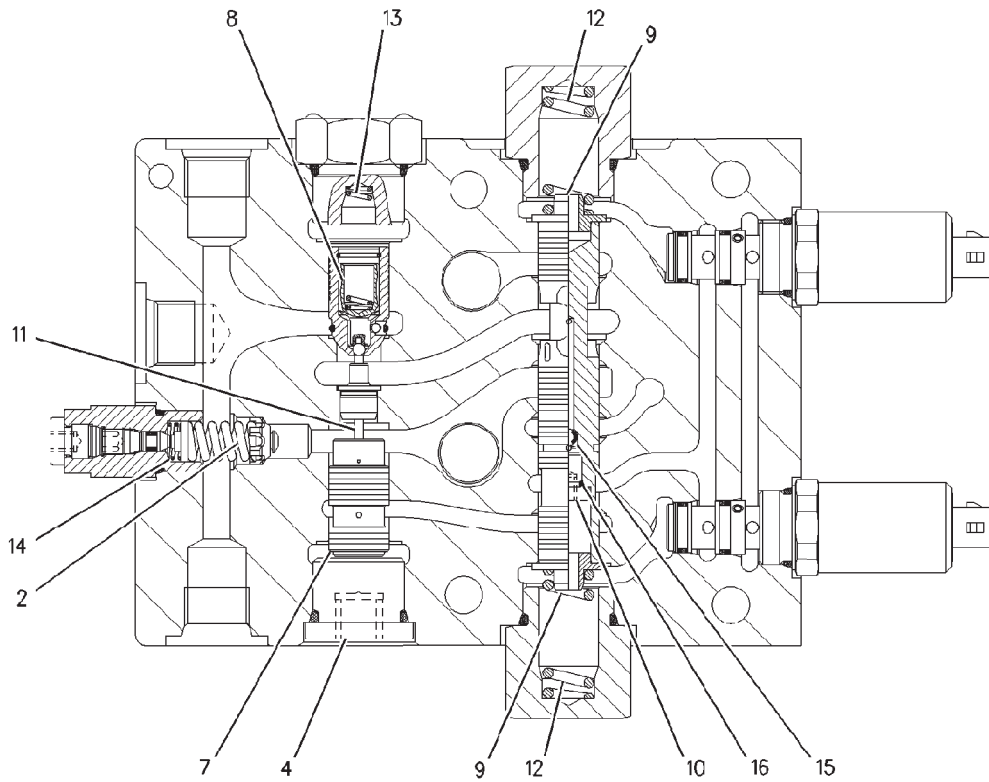
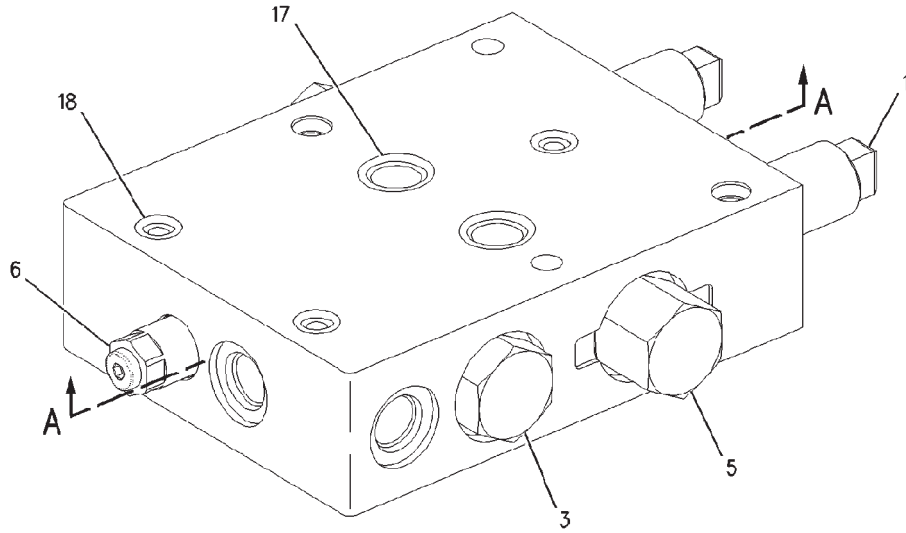
[A] PART OF:
192-4708 VALVE GP-BANK 3
192-4817 VALVE GP-BANK 4

00886104
PR: t05b22n43d0388

902

MT800B SERIES TRACTORS
HYDRAULIC SYSTEM

VALVE GP-CONTROL - 162-9818
3 POINT HITCH



SECTION A-A

00902036

MT800B SERIES TRACTORS
HYDRAULIC SYSTEM

903

VALVE GP-CONTROL - 162-9818
3 POINT HITCH

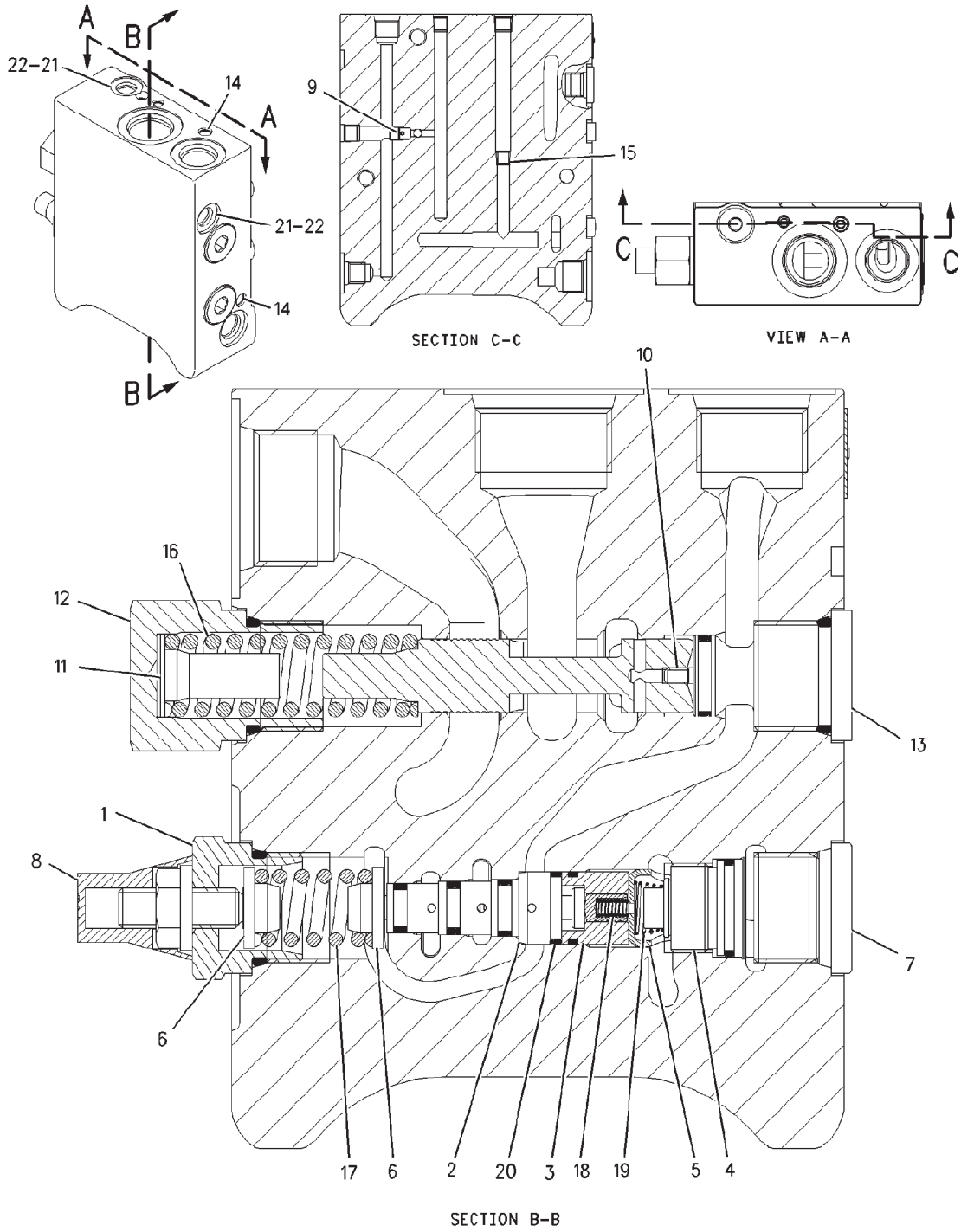
| ITEM | NUMBER | QTY | DESCRIPTION |
|------|------------|-----|---|
| - | 162-9818 | - | VALVE GP-CONTROL [A] |
| 1 | 165-8537 | 2 | VALVE GP-SOLENOID & PRESS REDC (3PT HITCH RAISE/LOWER) |
| | 209-9680 | 1 | SEAL-KIT |
| 2 | 209-7359 | 1 | VALVE-RELIEF (3PT HITCH CNTRL CIRCUIT) |
| 3 | 216-3569 | 1 | PLUG ASM |
| | CH8T-7525 | 1 | SEAL-O-RING |
| 4 | 216-3458 | 1 | PLUG ASM |
| | CH8T-7525 | 1 | SEAL-O-RING |
| 5 | 216-3570 | 2 | PLUG ASM |
| | CH8T-7525 | 1 | SEAL-O-RING |
| 6 | 209-7599 | 1 | SCREW-LOWERING (3PT HITCH MANUAL LOWER) |
| 7 | 216-3461 | 1 | SPOOL-VALVE |
| 8 | 216-3462 | 1 | VALVE-CHECK (3PT HITCH POSITION HOLD) |
| 9 | 216-3475 | 2 | RETAINER |
| 10 | CH216-4098 | 1 | PLUG |
| 11 | 216-3478 | 1 | PIN |
| 12 | 216-3479 | 2 | SPRING |
| 13 | 216-3480 | 1 | SPRING |
| 14 | 216-3481 | 1 | SPRING |
| 15 | CH3G-0785 | 1 | BALL |
| 16 | CH109-9685 | 1 | SEAL-O-RING |
| 17 | CH5P-9186 | 2 | SEAL-O-RING |
| 18 | CH8L-2777 | 3 | SEAL-O-RING |

[A] PART OF:
192-4708 VALVE GP-BANK 3
192-4817 VALVE GP-BANK 4

00902036
PR: t05b22n43d0389

MT800B SERIES TRACTORS
HYDRAULIC SYSTEM

VALVE GP-CONTROL - 192-4707
PRIORITY W/HYDRAULIC TRAILER BRAKES



**MT800B SERIES TRACTORS
HYDRAULIC SYSTEM**

905

**VALVE GP-CONTROL - 192-4707
PRIORITY W/HYDRAULIC TRAILER BRAKES**

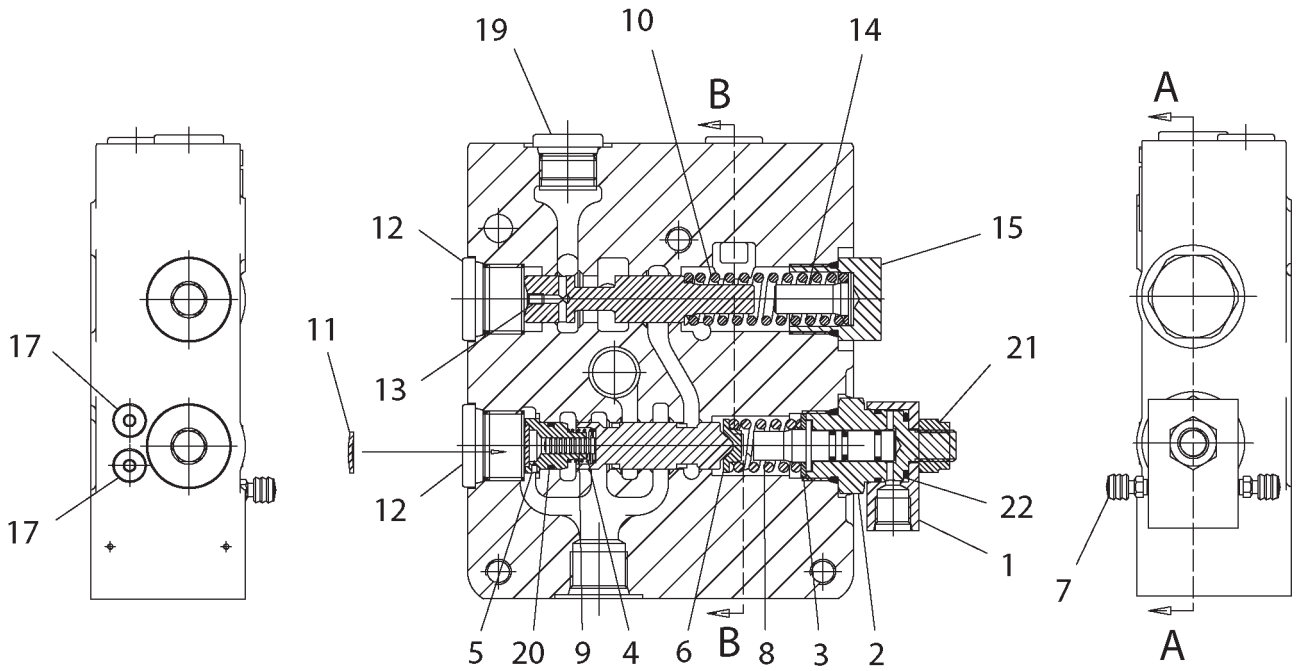
| ITEM | NUMBER | QTY | DESCRIPTION |
|------|------------|-----|---|
| - | 192-4707 | - | VALVE GP-CONTROL [A] |
| 1 | 216-6971 | 1 | ADJUSTER ASM |
| | CH8T-7525 | 1 | SEAL-O-RING |
| | 216-6988 | 1 | SCREW |
| | 216-6990 | 1 | SEAL |
| 2 | 216-6972 | 1 | VALVE GP-ACCUMULATOR CHARGING (SEE BREAKDOWN FOR COMPONENTS) |
| 3 | 216-6973 | 1 | SLEEVE AS |
| | 400322X1 | 1 | SEAL-O-RING (19.28IDX1.78DIA) |
| 4 | 216-6974 | 1 | VALVE ASM-CHECK |
| | CH6V-6580 | 1 | SEAL-O-RING |
| 5 | 216-6975 | 1 | RETAINER-SPRING |
| 6 | 216-6976 | 2 | RETAINER-SPRING |
| 7 | 216-6977 | 1 | PLUG AS |
| | CH8T-7525 | 1 | SEAL-O-RING |
| 8 | 216-6978 | 1 | CAP |
| 9 | 216-6979 | 1 | VALVE-CHECK |
| 10 | 216-6980 | 1 | ORIFICE |
| 11 | 216-6981 | 1 | RETAINER |
| 12 | 216-6983 | 1 | PLUG AS |
| | CH8T-7525 | 1 | SEAL-O-RING |
| 13 | 216-6984 | 1 | PLUG AS |
| | CH8T-7525 | 1 | SEAL-O-RING |
| | CH6V-8399 | 1 | SEAL-O-RING |
| | CH216-7114 | 1 | RING-BACKUP |
| 14 | 216-6986 | 3 | PLUG |
| 15 | 216-6987 | 1 | ORIFICE |
| 16 | 216-6991 | 1 | SPRING |
| 17 | 216-6992 | 1 | SPRING |
| 18 | 216-7010 | 1 | SPRING |
| 19 | 216-7035 | 1 | SPRING |
| 20 | 216-7115 | 1 | RING-BACKUP |
| 21 | CH162-0177 | 1 | PLUG AS (9/16-18 STOR) |
| | 400318X1 | 1 | SEAL-O-RING |
| 22 | 400318X1 | 2 | SEAL-O-RING |

[A] PART OF 193-8197 VALVE AR

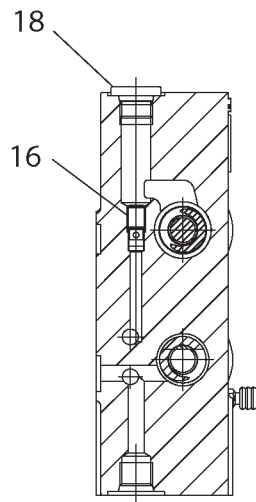
00899371
PR: t05b22n43d0390

MT800B SERIES TRACTORS
HYDRAULIC SYSTEM

VALVE GP-BRAKE CONTROL - 196-2318
HYDRAULIC TRAILER BRAKES



SECTION A-A



SECTION B-B

MT800B SERIES TRACTORS
HYDRAULIC SYSTEM

907

VALVE GP-BRAKE CONTROL - 196-2318
HYDRAULIC TRAILER BRAKES

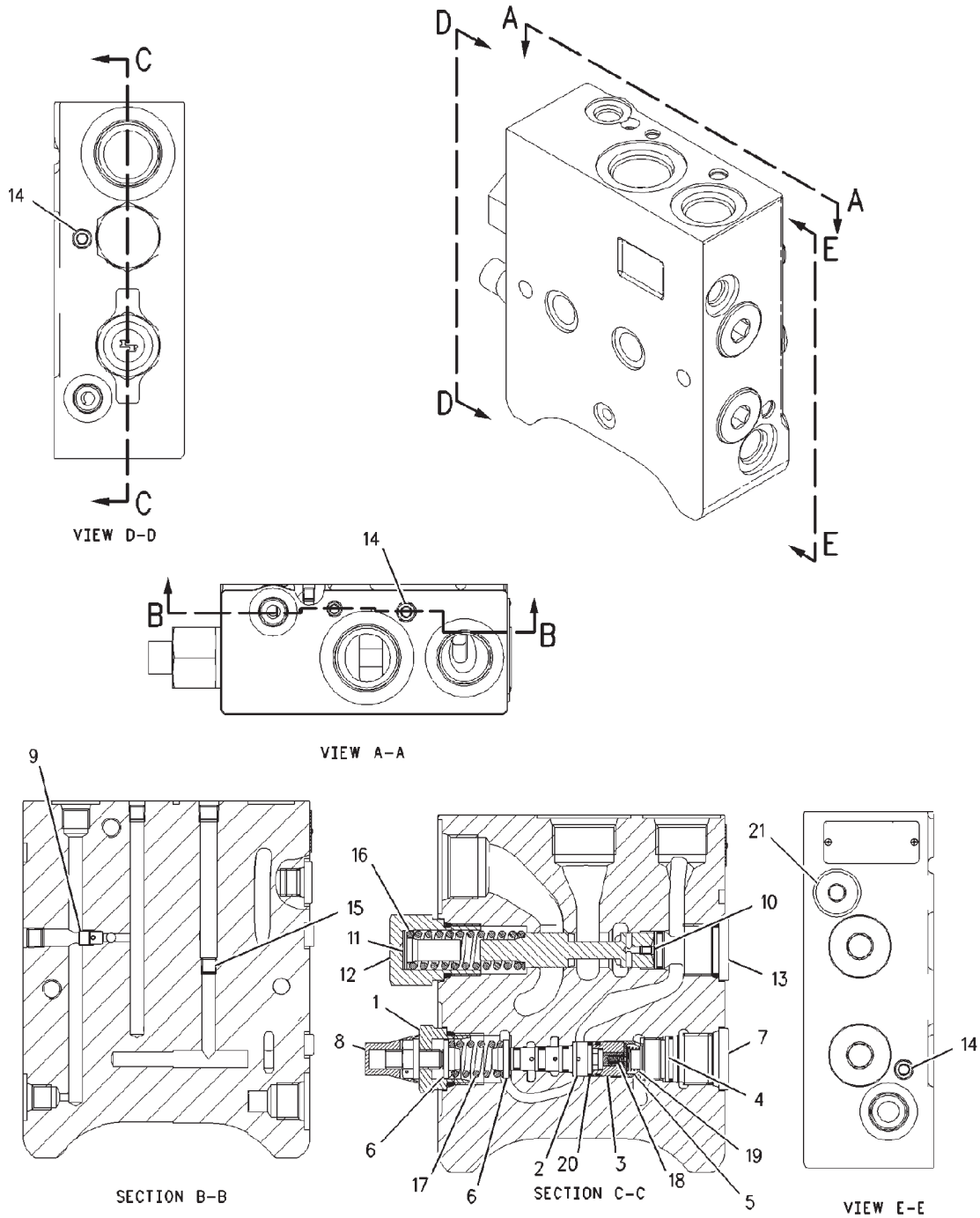
| ITEM | NUMBER | QTY | DESCRIPTION |
|------|------------|-----|---------------------------------|
| - | 196-2318 | - | VALVE GP-BRAKE CNTRL (COMPLETE) |
| 1 | 209-9919 | 1 | MANIFOLD |
| 2 | 209-9920 | 1 | PLUG AS |
| | CH8T-7525 | 1 | SEAL-O-RING |
| | CH8U-7381 | 1 | SEAL-O-RING |
| | CH209-9961 | 2 | RING-GUIDE |
| | CH209-9962 | 1 | RING-GUIDE |
| 3 | CH209-9921 | 1 | WASHER |
| 4 | CH209-9927 | 1 | SLUG |
| 5 | 209-9936 | 1 | SLEEVE |
| 6 | CH209-9947 | 1 | SEAT-SPRING |
| 7 | 209-9949 | 2 | SCREW-PURGE |
| 8 | CH209-9955 | 1 | SPRING |
| 9 | CH209-9957 | 1 | SPRING |
| 10 | 216-6991 | 1 | SPRING |
| 11 | CH210-1993 | 1 | WASHER |
| 12 | 216-6977 | 2 | PLUG AS (INCLS SEAL-O-RING) |
| | CH8T-7525 | 1 | SEAL-O-RING |
| 13 | 216-6980 | 1 | ORIFICE |
| 14 | 216-6981 | 1 | RETAINER |
| 15 | CH216-8187 | 1 | PLUG AS |
| | CH8T-7525 | 1 | SEAL-O-RING |
| 16 | 216-8188 | 1 | VALVE AS-SHUTTLE |
| 17 | CH216-8189 | 2 | PLUG AS |
| | CH3E-4289 | 1 | SEAL-O-RING |
| 18 | CH216-8190 | 1 | PLUG AS |
| | CH3E-4298 | 1 | SEAL-O-RING |
| 19 | CH216-8191 | 1 | PLUG AS |
| | 400319X1 | 1 | SEAL-O-RING |
| 20 | CH095-1715 | 1 | SEAL-O-RING |
| 21 | CH188-7789 | 1 | NUT (M12X1.50) |
| 22 | CH6V-3922 | 1 | SEAL-O-RING |

[A] PART OF:
192-4816 VALVE GP-BANK 2
192-4817 VALVE GP-BANK 4
209-3689 KIT-HYD TRAILER BRAKE

1962318C
PR: t05b22n43d0391

MT800B SERIES TRACTORS
HYDRAULIC SYSTEM

VALVE GP-CONTROL - 209-5019
PRIORITY & ACCUMULATOR CHARGE



**MT800B SERIES TRACTORS
HYDRAULIC SYSTEM**

909

**VALVE GP-CONTROL - 209-5019
PRIORITY & ACCUMULATOR CHARGE**

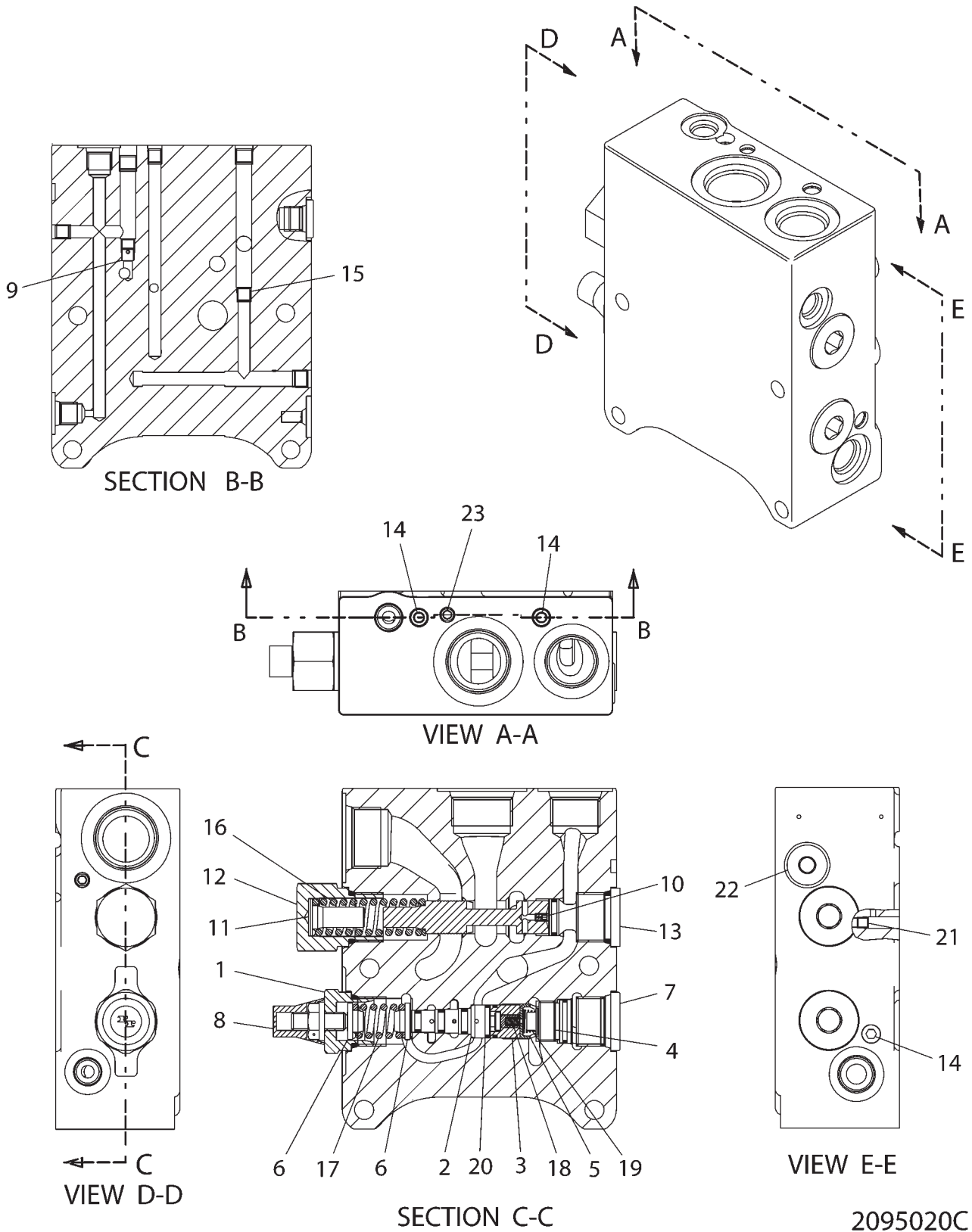
| ITEM | NUMBER | QTY | DESCRIPTION |
|------|------------|-----|---|
| - | 209-5019 | - | VALVE GP-CONTROL [A] |
| 1 | 216-6971 | 1 | ADJUSTER ASM |
| | CH8T-7525 | 1 | SEAL-O-RING |
| | 216-6988 | 1 | SCREW |
| | 216-6990 | 1 | SEAL |
| 2 | 216-6972 | 1 | VALVE GP-ACCUMULATOR CHARGING (SEE BREAKDOWN FOR COMPONENTS) |
| 3 | 216-6973 | 1 | SLEEVE ASM |
| | 400322X1 | 1 | SEAL-O-RING (19.28IDX1.78DIA) |
| 4 | 216-6974 | 1 | VALVE ASM-CHECK |
| | CH6V-6580 | 1 | SEAL-O-RING |
| 5 | 216-6975 | 1 | RETAINER-SPRING |
| 6 | 216-6976 | 2 | RETAINER-SPRING |
| 7 | 216-6977 | 1 | PLUG ASM |
| | CH8T-7525 | 1 | SEAL-O-RING |
| 8 | 216-6978 | 1 | CAP |
| 9 | 216-6979 | 1 | VALVE-CHECK |
| 10 | 216-6980 | 1 | ORIFICE |
| 11 | 216-6981 | 1 | RETAINER |
| 12 | 216-6983 | 1 | PLUG ASM |
| | CH8T-7525 | 1 | SEAL-O-RING |
| 13 | 216-6984 | 1 | PLUG ASM |
| | CH8T-7525 | 1 | SEAL-O-RING |
| | CH6V-8399 | 1 | SEAL-O-RING |
| | CH216-7114 | 1 | RING-BACKUP |
| 14 | 216-6986 | 3 | PLUG |
| 15 | 216-6987 | 1 | ORIFICE |
| 16 | 216-6991 | 1 | SPRING |
| 17 | 216-6992 | 1 | SPRING |
| 18 | 216-7010 | 1 | SPRING |
| 19 | 216-7035 | 1 | SPRING |
| 20 | CH216-7115 | 1 | RING-BACKUP |
| 21 | CH162-0177 | 1 | PLUG AS (9/16-18 STOR) |
| | 400318X1 | 1 | SEAL-O-RING |
| 22 | 500932D1 | 1 | PLUG-SPL (NOT SHOWN) |

[A] PART OF 192-4708 VALVE GP-BANK 3

00889029
PR: t05b22n43d0392

MT800B SERIES TRACTORS
HYDRAULIC SYSTEM

VALVE GP-CONTROL - 209-5020
PRIORITY



**MT800B SERIES TRACTORS
HYDRAULIC SYSTEM**

911

**VALVE GP-CONTROL - 209-5020
PRIORITY**

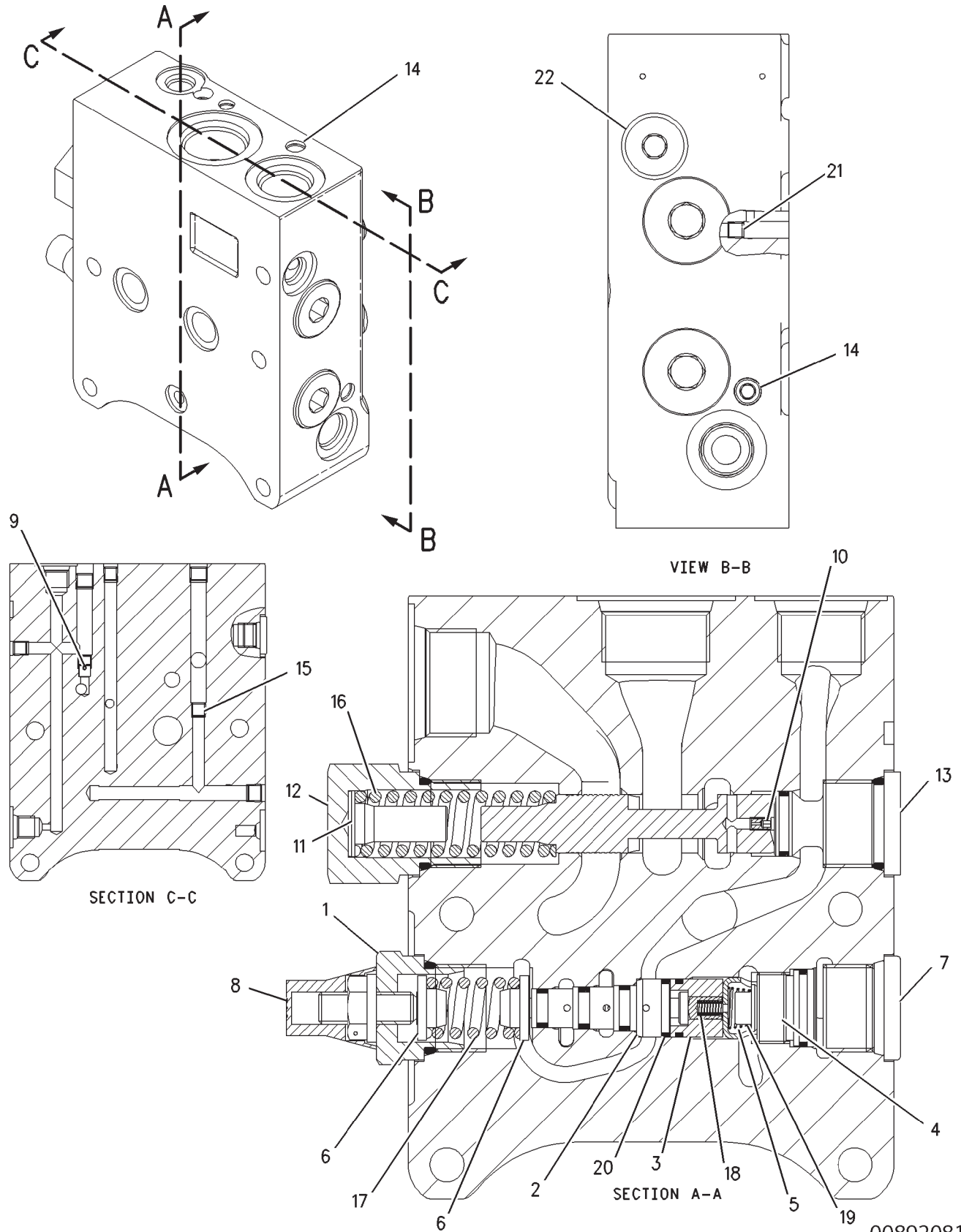
| ITEM | NUMBER | QTY | DESCRIPTION |
|------|------------|-----|---|
| - | 209-5020 | - | VALVE GP-CONTROL [A] |
| 1 | 216-6971 | 1 | ADJUSTMENT AS |
| | CH8T-7525 | 1 | SEAL-O-RING |
| | 216-6988 | 1 | SCREW |
| | 216-6990 | 1 | SEAL-LOCK NUT |
| 2 | 216-6972 | 1 | VALVE GP-ACCUMULATOR CHARGING (SEE BREAKDOWN FOR COMPONENTS) |
| 3 | 216-6973 | 1 | SLEEVE ASM |
| | 400322X1 | 1 | SEAL-O-RING (19.28IDX1.78DIA) |
| 4 | 216-6974 | 1 | VALVE ASM-CHECK |
| | CH6V-6580 | 1 | SEAL-O-RING |
| 5 | 216-6975 | 1 | RETAINER-SPRING |
| 6 | 216-6976 | 2 | RETAINER-SPRING |
| 7 | 216-6977 | 1 | PLUG ASM |
| | CH8T-7525 | 1 | SEAL-O-RING |
| 8 | 216-6978 | 1 | CAP |
| 9 | 216-6979 | 1 | VALVE-CHECK |
| 10 | 216-6980 | 1 | ORIFICE |
| 11 | 216-6981 | 1 | RETAINER |
| 12 | 216-6983 | 1 | PLUG ASM |
| | CH8T-7525 | 1 | SEAL-O-RING |
| 13 | 216-6984 | 1 | PLUG ASM |
| | CH8T-7525 | 1 | SEAL-O-RING |
| | CH6V-8399 | 1 | SEAL-O-RING |
| | CH216-7114 | 1 | RING-BACKUP |
| 14 | 216-6986 | 3 | PLUG |
| 15 | 216-6987 | 1 | ORIFICE |
| 16 | 216-6991 | 1 | SPRING |
| 17 | 216-6992 | 1 | SPRING |
| 18 | 216-7010 | 1 | SPRING |
| 19 | 216-7035 | 1 | SPRING |
| 20 | CH216-7115 | 1 | RING-BACKUP |
| 21 | 216-7404 | 1 | ORIFICE-SPCL |
| 22 | CH162-0177 | 1 | PLUG AS (9/16-18 STOR) |
| | 400318X1 | 1 | SEAL-O-RING |
| 23 | 500932D1 | 1 | PLUG-SPCL |

[A] PART OF 192-4816 VALVE GP-BANK 2

2095020C
PR: t05b22n43d0393

MT800B SERIES TRACTORS
HYDRAULIC SYSTEM

VALVE GP-CONTROL - 209-5021



**MT800B SERIES TRACTORS
HYDRAULIC SYSTEM**

913

VALVE GP-CONTROL - 209-5021

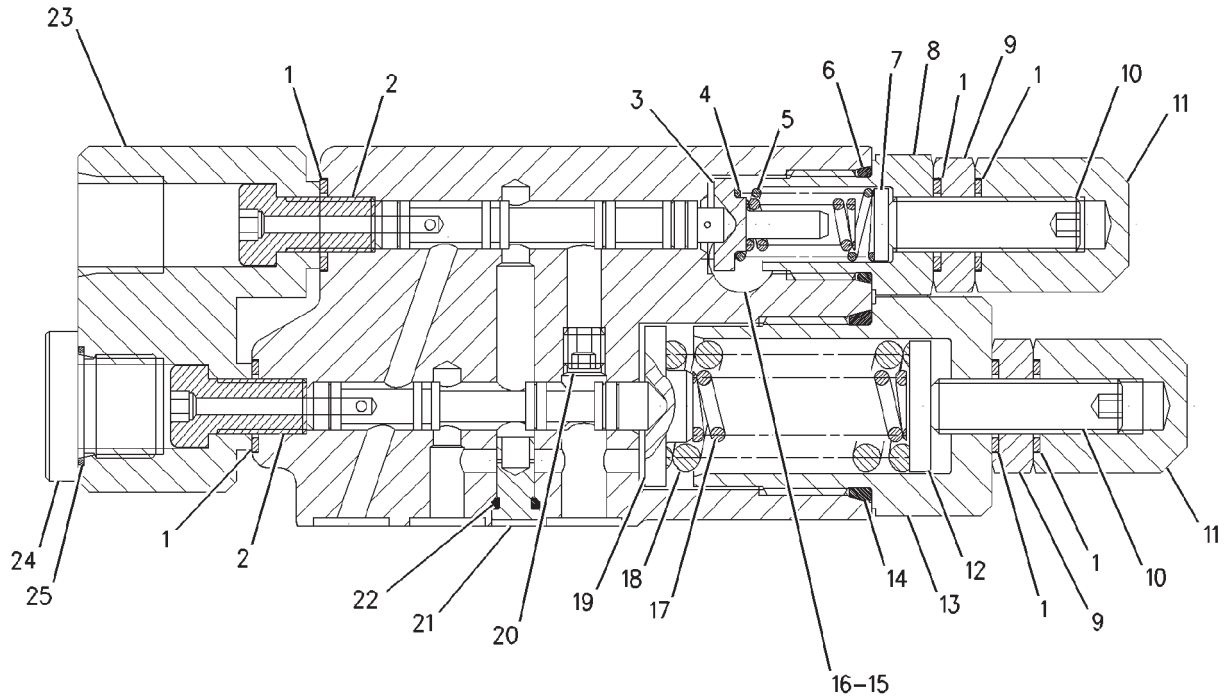
| ITEM | NUMBER | QTY | DESCRIPTION |
|------|------------|-----|---|
| - | 209-5021 | - | VALVE GP-CONTROL [A] |
| 1 | 216-6971 | 1 | ADJUSTER AS |
| | CH8T-7525 | 1 | SEAL-O-RING |
| | 216-6988 | 1 | SCREW |
| | 216-6990 | 1 | SEAL |
| 2 | 216-6972 | 1 | VALVE GP-ACCUMULATOR CHARGING (SEE BREAKDOWN FOR COMPONENTS) |
| 3 | 216-6973 | 1 | SLEEVE AS |
| | 400322X1 | 1 | SEAL-O-RING (19.28IDX1.78DIA) |
| 4 | 216-6974 | 1 | VALVE AS-CHECK |
| | CH6V-6580 | 1 | SEAL-O-RING |
| 5 | 216-6975 | 1 | RETAINER-SPRING |
| 6 | 216-6976 | 2 | RETAINER-SPRING |
| 7 | 216-6977 | 1 | PLUG AS |
| | CH8T-7525 | 1 | SEAL-O-RING |
| 8 | 216-6978 | 1 | CAP |
| 9 | 216-6979 | 1 | VALVE AS-CHECK |
| 10 | 216-6980 | 1 | ORIFICE |
| 11 | 216-6981 | 1 | RETAINER |
| 12 | 216-6983 | 1 | PLUG AS-SPECIAL (PRIORITY) |
| | CH8T-7525 | 1 | SEAL-O-RING |
| 13 | 216-6984 | 1 | PLUG AS |
| | CH6V-8399 | 1 | SEAL-O-RING |
| | CH8T-7525 | 1 | SEAL-O-RING |
| | CH216-7114 | 1 | RING-BACKUP |
| 14 | 216-6986 | 3 | PLUG |
| 15 | 216-6987 | 1 | ORIFICE |
| 16 | 216-6991 | 1 | SPRING |
| 17 | 216-6992 | 1 | SPRING |
| 18 | 216-7010 | 1 | SPRING |
| 19 | 216-7035 | 1 | SPRING |
| 20 | CH216-7115 | 1 | RING-BACKUP |
| 21 | 216-7404 | 1 | ORIFICE |
| 22 | CH162-0177 | 1 | PLUG AS (9/16-18 STOR) |
| | 400318X1 | 1 | SEAL-O-RING |
| 23 | 500932D1 | 1 | PLUG-SPECIAL |

[A] PART OF:
209-3689 KIT-HYD TRAILER BRAKE
192-4817 VALVE GP-BANK 4

00892081
PR: t05b22n43d0394

MT800B SERIES TRACTORS
HYDRAULIC SYSTEM

VALVE GP-PRESS & FLOW CMPNSTR - 214-9379



MT800B SERIES TRACTORS
HYDRAULIC SYSTEM

915

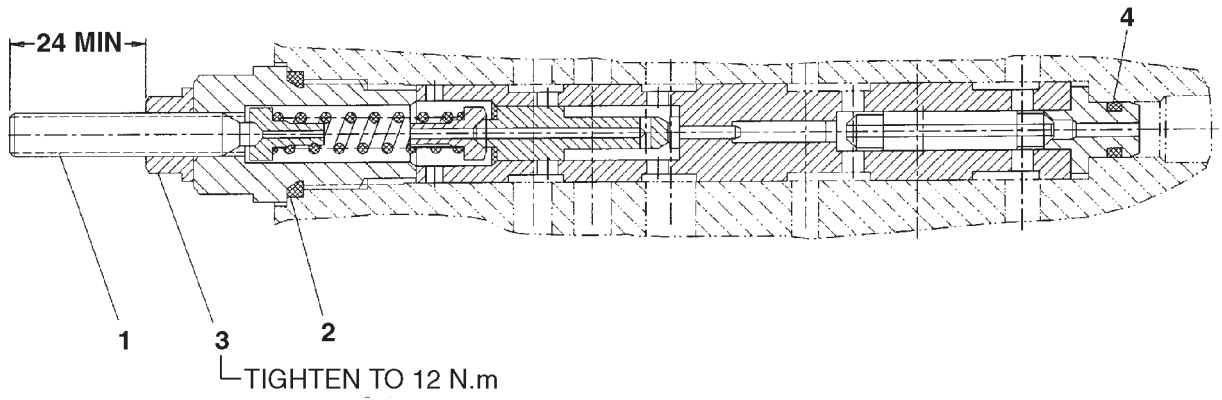
VALVE GP-PRESS & FLOW CMPNSTR - 214-9379

| ITEM | NUMBER | QTY | DESCRIPTION |
|------|------------|-----|-----------------------------------|
| - | 214-9379 | - | VALVE GP-PRESS & FLOW CMPNSTR [A] |
| 1 | CH6E-6528 | 6 | SEAL |
| 2 | CH194-4650 | 2 | ADAPTER |
| 3 | CH6E-3268 | 1 | RETAINER-SPRING |
| 4 | CH6E-3275 | 1 | SPRING |
| 5 | CH6E-3274 | 1 | SPRING |
| 6 | CH033-6043 | 1 | SEAL-O-RING |
| 7 | CH6E-3272 | 1 | SEAT |
| 8 | CH6E-6540 | 1 | PLUG |
| 9 | CH6E-6538 | 2 | NUT-ADJUSTMENT (M8X1) |
| 10 | CH6E-6537 | 2 | SCREW-ADJUSTMENT (M8X1X28MM) |
| 11 | CH6E-6539 | 2 | NUT-CAP (M8X1) |
| 12 | CH6E-3273 | 1 | SEAT |
| 13 | CH6E-6536 | 1 | PLUG |
| 14 | CH6V-8352 | 1 | SEAL-O-RING |
| 15 | CH9S-8002 | 1 | PLUG |
| 16 | 400361X1 | 1 | SEAL-O-RING |
| 17 | CH193-1036 | 1 | SPRING |
| 18 | CH6E-3276 | 1 | SPRING |
| 19 | CH6E-3269 | 1 | RETAINER-SPRING |
| 20 | CH201-0780 | 1 | ORIFICE |
| 21 | CH105-2145 | 1 | VALVE-ORIFICE |
| 22 | CH5P-9262 | 1 | SEAL-O-RING |
| 23 | CH194-4651 | 1 | ADAPTER (HOUSING) |
| 24 | CH162-0177 | 1 | PLUG AS (9/16-18 STOR) |
| | 400318X1 | 1 | SEAL-O-RING |
| 25 | 400318X1 | 1 | SEAL-O-RING |

[A] PART OF CH206-9017; 206-9019
PUMP GP-PISTON

00893866
PR: t05b22n43d0395

VALVE GP-PRESSURE COMPENSATOR
CH6E-4392



MT800B SERIES TRACTORS
HYDRAULIC SYSTEM

917

VALVE GP-PRESSURE COMPENSATOR
CH6E-4392

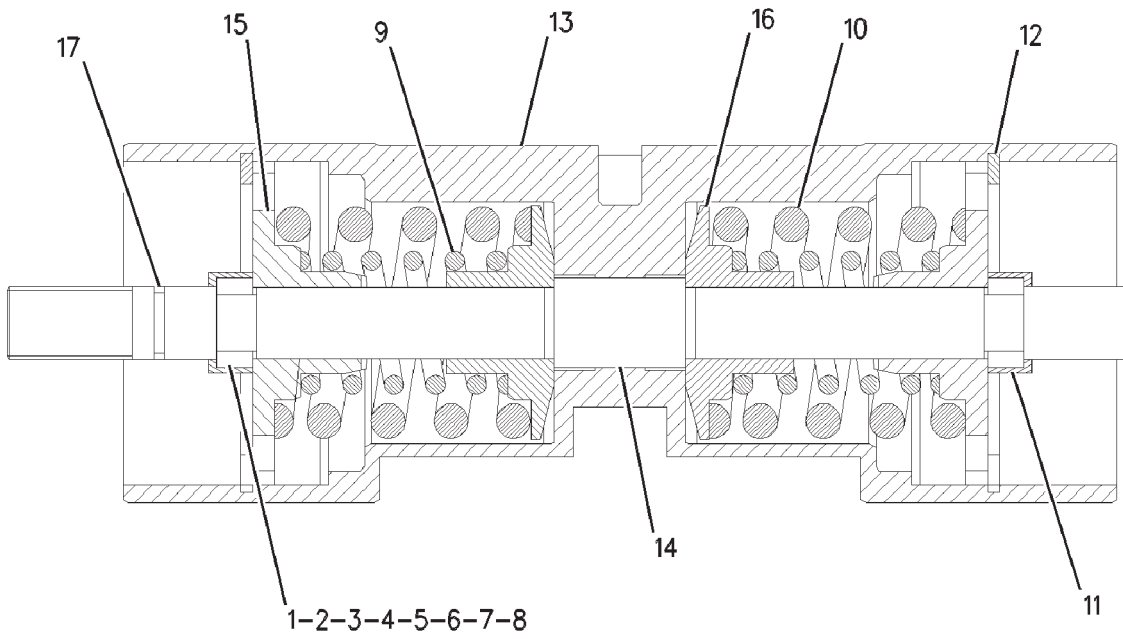
| ITEM | NUMBER | QTY | DESCRIPTION |
|------|-----------|-----|-----------------------------------|
| - | CH6E-4392 | - | VALVE GP-PRESSURE COMPENSATOR [A] |
| 1 | CH6E-4401 | 1 | SETSCREW-ADJUSTMENT |
| 2 | CH6V-8351 | 1 | SEAL-O-RING |
| 3 | CH6E-1607 | 1 | LOCKNUT-SEALING |
| 4 | CH6V-5586 | 1 | SEAL-O-RING (6.07MM ID) |

[A] PART OF 205-6398 HEAD GP-PUMP

0228708A
PR: t05b22n43d0396

MT800B SERIES TRACTORS
HYDRAULIC SYSTEM

VALVE GP-SERVO - CH183-8417



MT800B SERIES TRACTORS
HYDRAULIC SYSTEM

919

VALVE GP-SERVO - CH183-8417

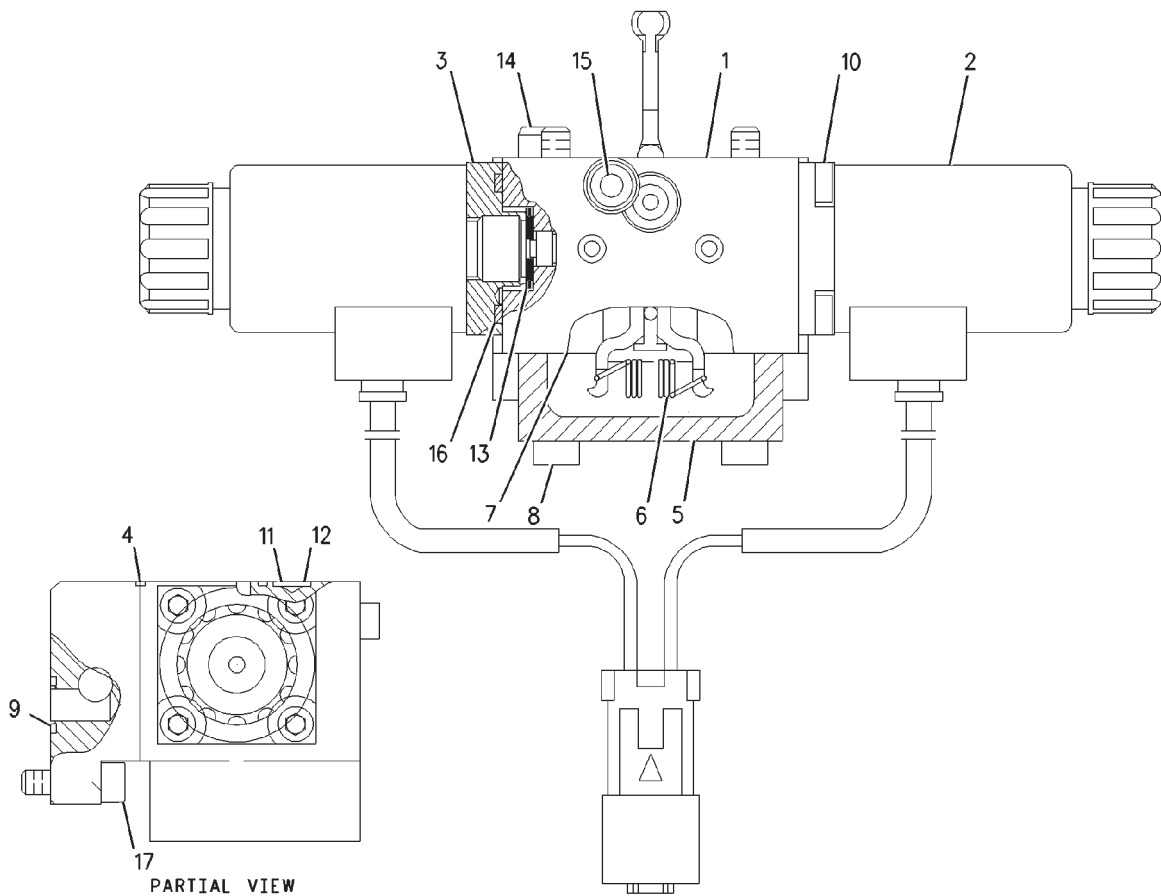
| ITEM | NUMBER | QTY | DESCRIPTION |
|------|------------|-----|----------------------------|
| - | CH183-8417 | - | VALVE GP-SERVO [A] |
| 1 | CH183-8418 | 2 | SPACER (8.00 MM) |
| 2 | CH183-8419 | 1 | SPACER (7.85 MM) |
| 3 | CH183-8420 | 1 | SPACER (7.90 MM) |
| 4 | CH183-8421 | 1 | SPACER (7.95 MM) |
| 5 | CH183-8423 | 1 | SPACER (8.05 MM) |
| 6 | CH183-8424 | 1 | SPACER (8.10 MM) |
| 7 | CH183-8425 | 11 | SPACER (7.75 MM) |
| 8 | CH183-8426 | 1 | SPACER (7.80 MM) |
| 9 | CH183-8427 | 2 | SPRING |
| 10 | CH183-8428 | 2 | SPRING |
| 11 | CH183-8429 | 2 | RING |
| 12 | CH095-0942 | 2 | RING-RETAINING (63.3MM ID) |
| 13 | CH144-9093 | 1 | PISTON-STROKING |
| 14 | CH144-9094 | 1 | ROD |
| 15 | CH144-9097 | 2 | RETAINER |
| 16 | CH144-9098 | 2 | RETAINER |
| 17 | CH161-6149 | 1 | SEAL-O-RING |

[A] PART OF CH183-8430 ACTUATOR
GP-PISTON PUMP

00664661
PR: t05b22n43d0397

MT800B SERIES TRACTORS
HYDRAULIC SYSTEM

VALVE GP-SERVO - 205-6412



**MT800B SERIES TRACTORS
HYDRAULIC SYSTEM**

921

VALVE GP-SERVO - 205-6412

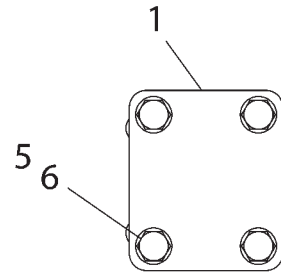
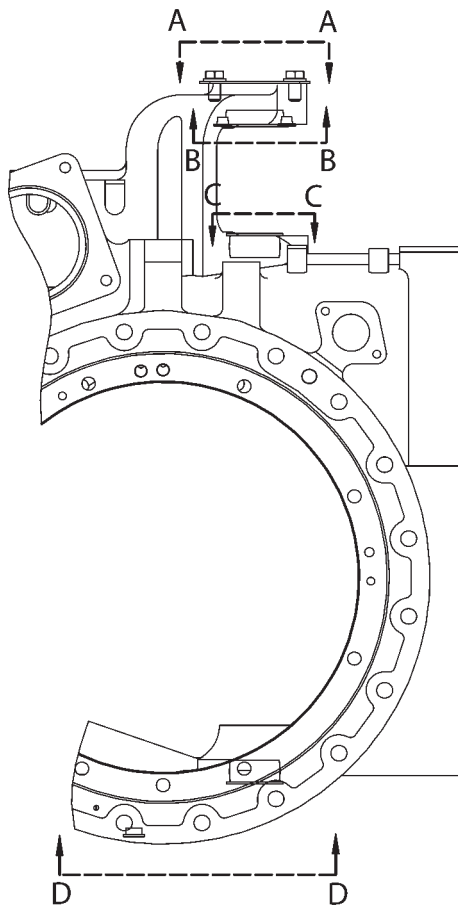
| ITEM | NUMBER | QTY | DESCRIPTION |
|------|------------|-----|--------------------------------|
| - | 205-6412 | - | VALVE GP-SERVO [A] |
| 1 | 205-6464 | 1 | HOUSING |
| 2 | 196-4249 | 1 | SOLENOID |
| 3 | CH196-4250 | 2 | SPACER (37X37X13) |
| 4 | 400365X1 | 1 | SEAL-O-RING |
| 5 | CH111-8897 | 1 | COVER |
| 6 | 205-6411 | 1 | SPRING |
| 7 | 205-6410 | 1 | GASKET |
| 8 | CH8T-2922 | 4 | BOLT-SOCKET HEAD (M6X1X65MM) |
| 9 | CH6M-5062 | 1 | SEAL-O-RING |
| 10 | CH196-9444 | 8 | BOLT-SOCKET HEAD (M5X0.8X10MM) |
| 11 | CH6V-8398 | 1 | SEAL-O-RING |
| 12 | CH112-4631 | 2 | SEAL-O-RING |
| 13 | CH196-4254 | 2 | SPRING |
| 14 | CH5E-7045 | 1 | PIN-CYLINDER |
| 15 | CH096-5968 | 1 | BOLT-SOCKET HEAD (M5X0.8X8MM) |
| 16 | CH6V-6228 | 2 | SEAL-O-RING |
| 17 | CH8T-0269 | 2 | BOLT-SOCKET HEAD (M6X1X20MM) |

[A] PART OF CH162-9592 PUMP GP-PISTON

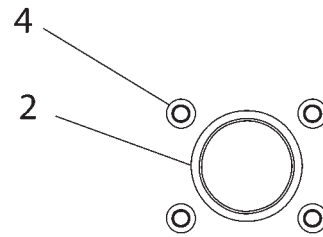
00853751
PR: t05b22n43d0398

MT800B SERIES TRACTORS
DRAWBAR, THREE POINT HITCH AND PTO

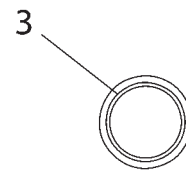
ADAPTER GP-PLUG - 180-4039
ROW AND SPECIAL APPLICATIONS



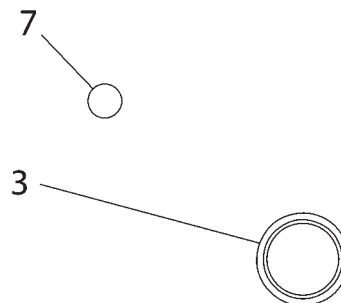
VIEW A-A



VIEW B-B



VIEW C-C



VIEW D-D

MT800B SERIES TRACTORS
DRAWBAR, THREE POINT HITCH AND PTO

923

ADAPTER GP-PLUG - 180-4039
ROW AND SPECIAL APPLICATIONS

| ITEM | NUMBER | QTY | DESCRIPTION |
|------|------------|-----|--|
| - | 180-4039 | - | DRAWBAR, THREE POINT HITCH AND PTO [A] |
| 1 | CH5P-8087 | 2 | PLUG-PROTECTIVE (M66) |
| 2 | CH198-1544 | 1 | PLATE |
| 3 | 400092X1 | 1 | PLUG-PROTECTIVE (M80) |
| 4 | 400093X1 | 4 | PLUG-PROTECTIVE (M14) |
| 5 | 400088X1 | 4 | BOLT (M16X2X30MM) |
| 6 | 400082X1 | 4 | WASHER (17.5X30X3.5) |
| 7 | 193-5918 | 2 | PLUG-PROTECTIVE (M24) |

[A] PART OF:
179-0851 HITCH AR
179-0853 HITCH AR-NON AG
184-5033 CONTROL AR-DRAWBAR

1804039F
PR: t05b22n43d0399

924

MT800B SERIES TRACTORS
DRAWBAR, THREE POINT HITCH AND PTO

CONTROL AR-DRAWBAR - 184-5033

NO ILLUSTRATION

NOTIF

MT800B SERIES TRACTORS
DRAWBAR, THREE POINT HITCH AND PTO

925

CONTROL AR-DRAWBAR - 184-5033

| ITEM | NUMBER | QTY | DESCRIPTION |
|------------|----------|-----|---|
| - | 184-5033 | - | CONTROL AR-DRAWBAR (NOT SERVICED) (SEE BREAKDOWN FOR COMPONENTS) |
| | 180-4039 | 1 | ADAPTER GP-PLUG (SEE BREAKDOWN FOR COMPONENTS) |
| CH184-5034 | | 2 | CYLINDER GP (SEE BREAKDOWN FOR COMPONENTS) |
| | 180-4036 | 1 | DRAWBAR GP-SWINGING (WIDE) (NOT SERVICED) (SEE BREAKDOWN FOR COMPONENTS) |
| | 200-8772 | 1 | GUARD GP-CYLINDER (NOT SERVICED) (SEE BREAKDOWN FOR COMPONENTS) |
| | 180-0503 | 1 | LINES GP-CYLINDER (POWERED DRAWBAR) (NOT SERVICED) (SEE BREAKDOWN FOR COMPONENTS) |
| | 184-5035 | 1 | MOUNTING GP-CYLINDER (CONTROLLED DRAWBAR) (NOT SERVICED) (SEE BREAKDOWN FOR COMPONENTS) |
| | 224-9662 | 1 | PLUG GP-3 PT HITCH (SEE BREAKDOWN FOR COMPONENTS) |
| | 210-7509 | 1 | SUPPORT GP-DRAWBAR (NOT SERVICED) (SEE BREAKDOWN FOR COMPONENTS) |

NOTIF
PR: t05b22n43d0400

926

MT800B SERIES TRACTORS
DRAWBAR, THREE POINT HITCH AND PTO

CONTROL AR-DRAWBAR - 210-7489
WIDE SWING

NO ILLUSTRATION

NOTIF

MT800B SERIES TRACTORS
DRAWBAR, THREE POINT HITCH AND PTO

927

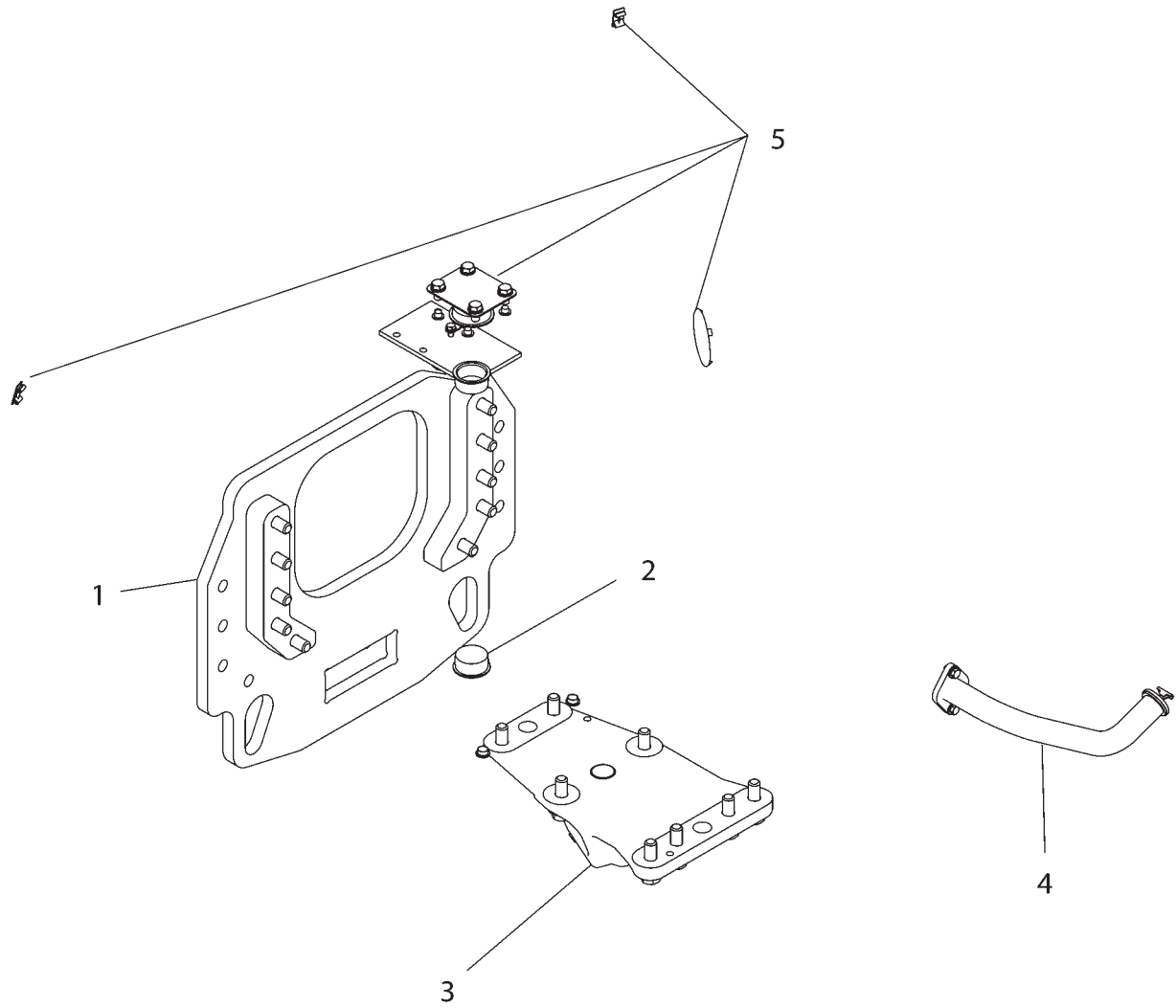
CONTROL AR-DRAWBAR - 210-7489
WIDE SWING

| ITEM | NUMBER | QTY | DESCRIPTION |
|------|------------|-----|---|
| - | 210-7489 | - | CONT AR-DRAWBAR (NOT SERVICED) |
| 1 | CH184-5034 | 2 | CYLINDER GP (SEE BREAKDOWN FOR COMPONENTS) |
| 2 | 180-0503 | 1 | LINES GP-CONTROL & (A) (NOT SERVICED) (SEE BREAKDOWN FOR COMPONENTS) |
| 3 | 184-5035 | 1 | MOUNTING GP-CYLINDER (C) (NOT SERVICED) (SEE BREAKDOWN FOR COMPONENTS) |
| 4 | 200-8772 | 1 | GUARD GP-CYLINDER (NOT SERVICED) (SEE BREAKDOWN FOR COMPONENTS) |
| 5 | 210-7509 | 1 | SUPPORT GP-FRAME (B) (NOT SERVICED) (SEE BREAKDOWN FOR COMPONENTS) |

NOTIF
PR: t05b22n43d0401

MT800B SERIES TRACTORS
DRAWBAR, THREE POINT HITCH AND PTO

CONVERSION AR-NON AG - 179-0853



1790853F

MT800B SERIES TRACTORS
DRAWBAR, THREE POINT HITCH AND PTO

929

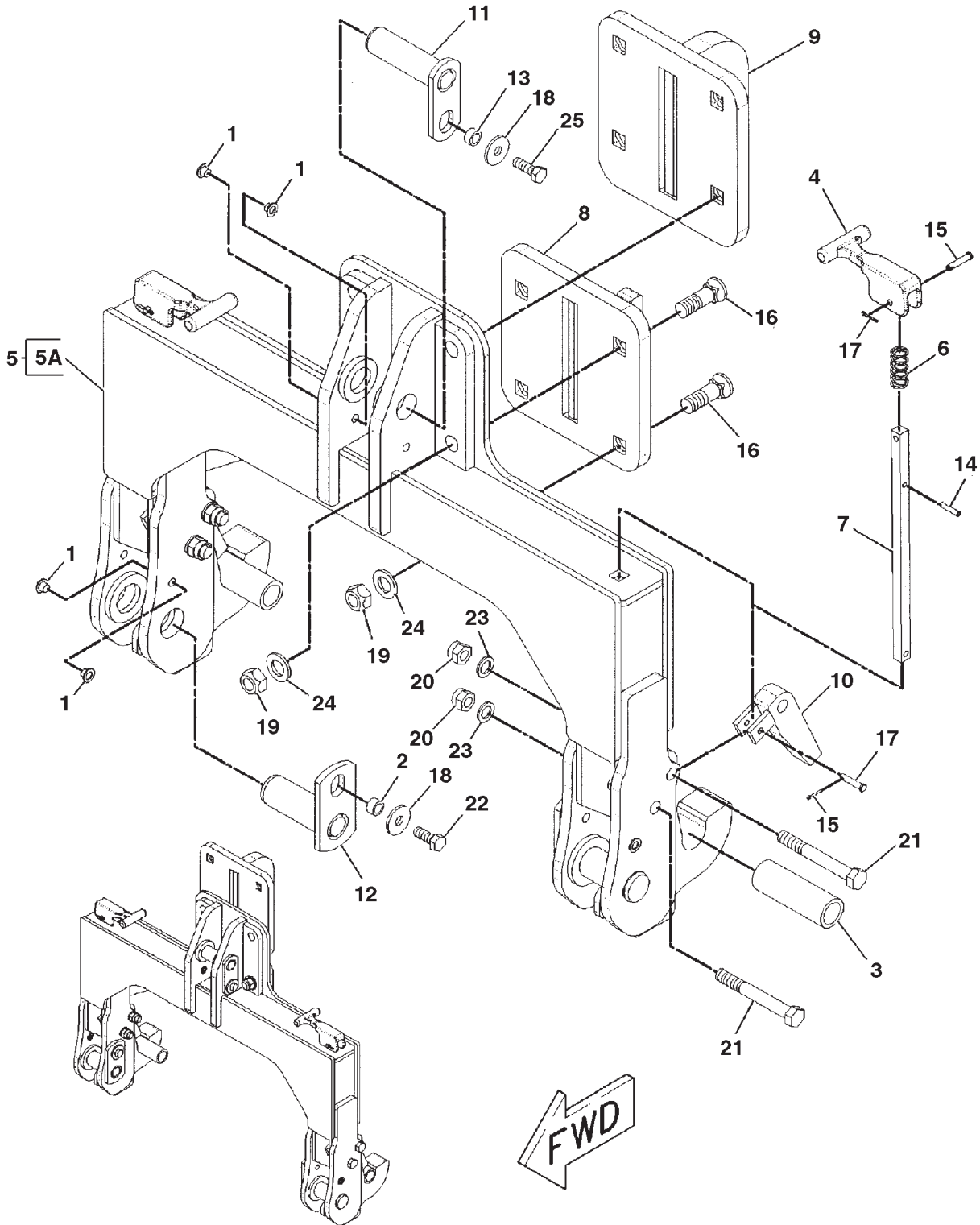
CONVERSION AR-NON AG - 179-0853

| ITEM | NUMBER | QTY | DESCRIPTION |
|------|----------|-----|---|
| - | 179-0853 | - | CONVERSION AR-NON AG (NOT SERVICED) (SERVICED BY COMPONENTS BELOW) |
| 1 | 180-4038 | 1 | SUPPORT GP-DRAWBAR (REAR TIE DOWN) (SEE BREAKDOWN FOR COMPONENTS) |
| 2 | 180-4039 | 1 | ADAPTER GP-PLUG (SEE BREAKDOWN FOR COMPONENTS) |
| 3 | 210-7508 | 1 | SUPPORT GP-DRAWBAR (SEE BREAKDOWN FOR COMPONENTS) |
| 4 | 502498D1 | 1 | FILLER GP-PT OIL-DRAWBAR (SEE BREAKDOWN FOR COMPONENTS) |
| 5 | 224-9662 | 1 | PLUG GP-3 PT HITCH (SEE BREAKDOWN FOR COMPONENTS) |

1790853F
PR: t05b22n43d0402

MT800B SERIES TRACTORS
DRAWBAR, THREE POINT HITCH AND PTO

COUPLER GP-QUICK - 179-3318
CATEGORY 3 & 4 NARROW



MT800B SERIES TRACTORS
DRAWBAR, THREE POINT HITCH AND PTO

931

COUPLER GP-QUICK - 179-3318
CATEGORY 3 & 4 NARROW

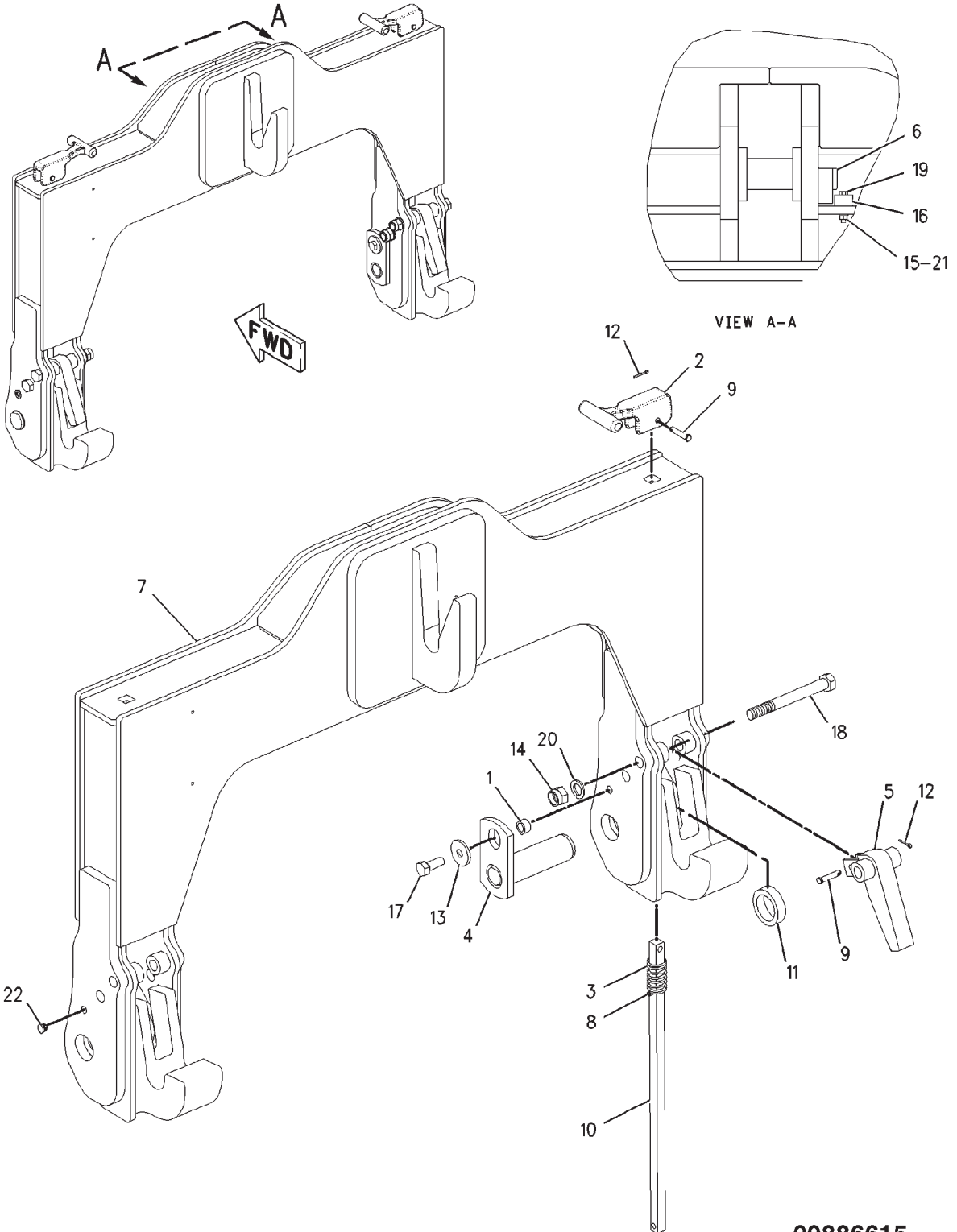
| ITEM | NUMBER | QTY | DESCRIPTION |
|------|------------|-----|-----------------------------|
| - | 179-3318 | - | COUPLER GP-QUICK [A] |
| 1 | 400093X1 | 6 | PLUG-SEALING |
| 2 | CH6Y-8112 | 2 | SPACER (17X25X14) |
| 3 | CH104-3466 | 2 | BUSHING |
| 4 | 177-0661 | 2 | HANDLE |
| 5 | 189-3310 | 1 | FRAME ASM |
| 5A | 189-3313 | 2 | ARM ASM (COMPLETE ASM ONLY) |
| 6 | CH190-2584 | 2 | SPRING |
| 7 | 190-2601 | 2 | ROD (LIFT) |
| 8 | 196-2993 | 1 | HOOK ASM (CAT 3) |
| 9 | 196-2994 | 1 | HOOK ASM (CAT 4) |
| 10 | 196-2997 | 2 | PLATE ASM |
| 11 | CH196-3017 | 1 | PIN ASM |
| 12 | CH196-3022 | 2 | PIN ASM |
| 13 | CH200-0010 | 1 | SPACER (17.5X25.4X12.5) |
| 14 | CH183-5008 | 2 | PIN-SPRING |
| 15 | CH1A-8827 | 4 | PIN |
| 16 | 400270X1 | 4 | BOLT-PLOW (1-8) |
| 17 | CH3B-4617 | 4 | PIN-COTTER |
| 18 | 400078X1 | 3 | WASHER (16.5X50X5) |
| 19 | CH6K-3632 | 4 | LOCKNUT (1-8) |
| 20 | CH6V-7688 | 4 | LOCKNUT (M20X2.5) |
| 21 | 400026X1 | 4 | BOLT (M20X2.5X160MM) |
| 22 | 400191X1 | 2 | BOLT (M16X2X40MM) |
| 23 | 400080X1 | 4 | WASHER-PLATED (22X35X3.5) |
| 24 | CH8T-5361 | 4 | WASHER-HARD (28X49X5) |
| 25 | 400244X1 | 1 | BOLT (M16X2.0X45MM) |

[A] PART OF:
169-0027; 179-0852; 186-0979
HITCH AR-3 POINT

0889557A
PR: t05b22n43d0403

MT800B SERIES TRACTORS
DRAWBAR, THREE POINT HITCH AND PTO

COUPLER GP-QUICK - 180-6640
CATEGORY 4



00886615

MT800B SERIES TRACTORS
DRAWBAR, THREE POINT HITCH AND PTO

933

COUPLER GP-QUICK - 180-6640
CATEGORY 4

| ITEM | NUMBER | QTY | DESCRIPTION |
|------|------------|-----|-------------------------------------|
| - | 180-6640 | - | COUPLER GP-QUICK [A] (NOT SERVICED) |
| 1 | CH6Y-8112 | 2 | SPACER (17X25X14) |
| 2 | 177-0661 | 2 | HANDLE |
| 3 | CH190-2584 | 2 | SPRING |
| 4 | CH190-2615 | 2 | PIN ASM |
| 5 | 196-2997 | 2 | PLATE ASM |
| 6 | CH196-3019 | 1 | PIN ASM |
| 7 | 206-4613 | 1 | FRAME ASM |
| 8 | CH183-5008 | 2 | PIN-SPRING |
| 9 | CH1A-8827 | 4 | PIN |
| 10 | 206-4633 | 2 | ROD (LIFT) |
| 11 | CH206-4636 | 2 | SPACER (51.3X63.5X25) |
| 12 | CH3B-4617 | 4 | PIN-COTTER |
| 13 | 400078X1 | 2 | WASHER (16.5X50X5) |
| 14 | CH6V-7688 | 4 | LOCKNUT (M20X2.5) |
| 15 | CH6V-8225 | 1 | NUT (M6X1) |
| 16 | 500754D1 | 1 | SPACER (.31X1.0X.62IN THK) |
| 17 | 400191X1 | 2 | BOLT (M16X2X40MM) |
| 18 | 400194X1 | 4 | BOLT (M20X2.5X180MM) |
| 19 | 400205X1 | 1 | BOLT (M6X1X40MM) |
| 20 | 400080X1 | 4 | WASHER-PLATED (22X35X3.5) |
| 21 | 400310X1 | 1 | WASHER (6.6X12X2) |
| 22 | 400093X1 | 4 | PLUG-SEAL |

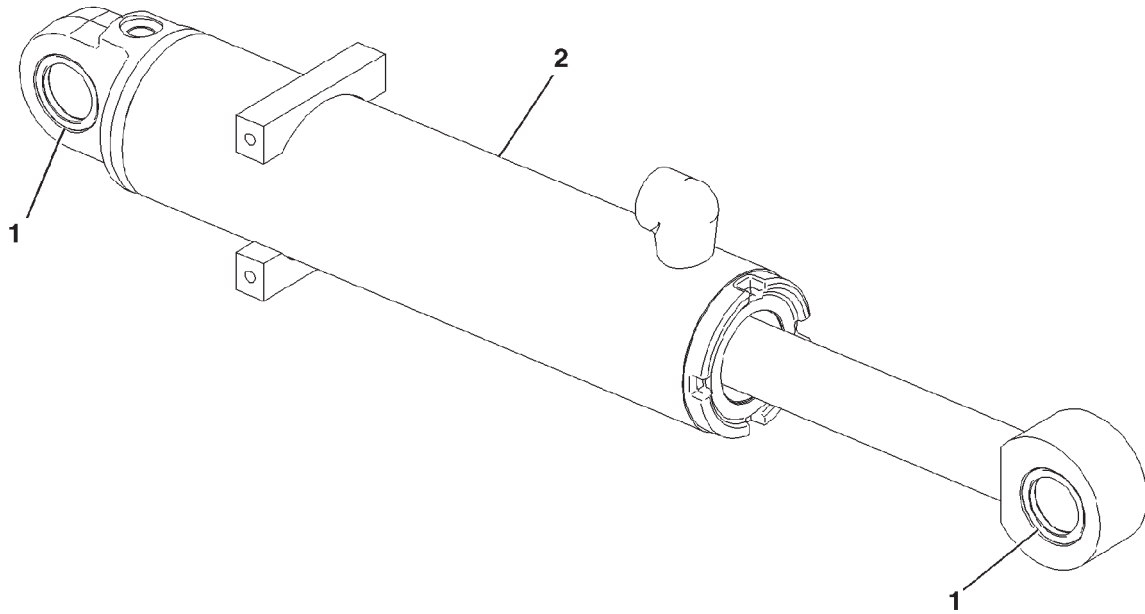
[A] PART OF 169-0028;180-6639;189-3300
HITCH AR-3 POINT

00886615
PR: t05b22n43d0404

934

MT800B SERIES TRACTORS
DRAWBAR, THREE POINT HITCH AND PTO

CYLINDER GP - CH184-5034



0836754A

MT800B SERIES TRACTORS
DRAWBAR, THREE POINT HITCH AND PTO

935

CYLINDER GP - CH184-5034

| ITEM | NUMBER | QTY | DESCRIPTION |
|------|------------|-----|---|
| - | CH184-5034 | - | CYLINDER GP (W/BEARINGS) [A] |
| 1 | CH189-4911 | 1 | CYLINDER AS-STEERING (NOT SERVICED- ORDER CYLINDER GP (W/BEARINGS) (SEE BREAKDOWN FOR COMPONENTS) |
| 2 | 186-1000 | 2 | BEARING |

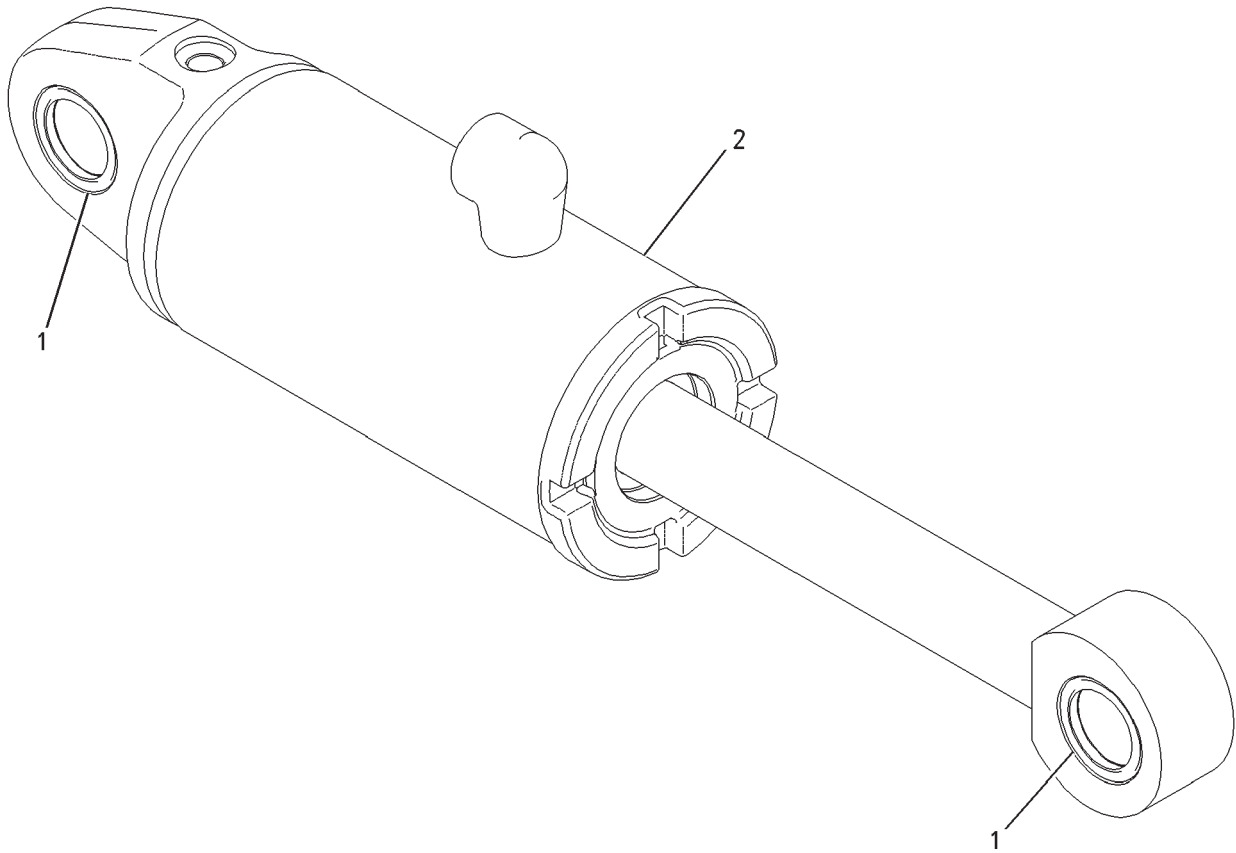
[A] PART OF: 184-5033 & 214-7489
CONTROL AR-DRAWBAR

0836754A
PR: t05b22n43d0405

936

MT800B SERIES TRACTORS
DRAWBAR, THREE POINT HITCH AND PTO

CYLINDER GP-STEERING - 183-4396



00897881

MT800B SERIES TRACTORS
DRAWBAR, THREE POINT HITCH AND PTO

937

CYLINDER GP-STEERING - 183-4396

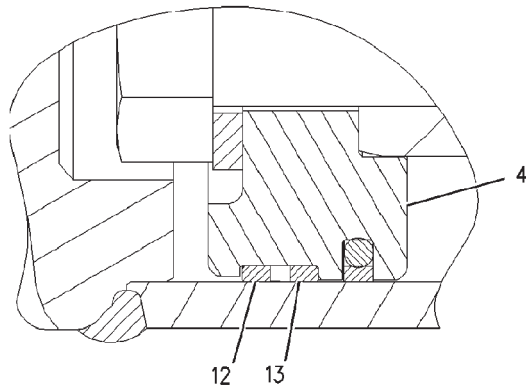
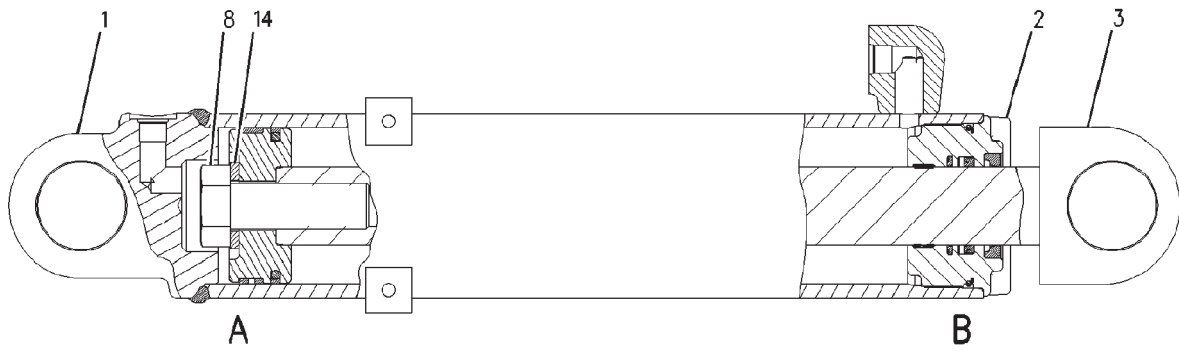
| ITEM | NUMBER | QTY | DESCRIPTION |
|------|------------|-----|--|
| - | 183-4396 | - | CYLINDER GP-STEERING (W/BEARINGS) [A] |
| 1 | CH186-1000 | 2 | BEARING-SLEEVE |
| 2 | CH189-6001 | 1 | CYLINDER AS-STEERING (NOT SERVICED- ORDER CYLINDER GP W/BEARINGS) (SEE BREAKDOWN FOR COMPONENTS) |

[A] PART OF 169-0027;169-0028;179-0852;
180-6639;186-0979 HITCH AR-3 POINT

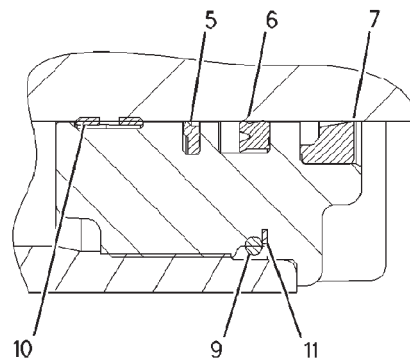
00897881
PR: t05b22n43d0406

MT800B SERIES TRACTORS
DRAWBAR, THREE POINT HITCH AND PTO

CYLINDER AS-0102-0408-Y
CH189-4911
101.6MM X 408MM (4 X 16.06")



VIEW OF AREA A



VIEW OF AREA B

MT800B SERIES TRACTORS
DRAWBAR, THREE POINT HITCH AND PTO

939

CYLINDER AS-0102-0408-Y
CH189-4911
101.6MM X 408MM (4 X 16.06")

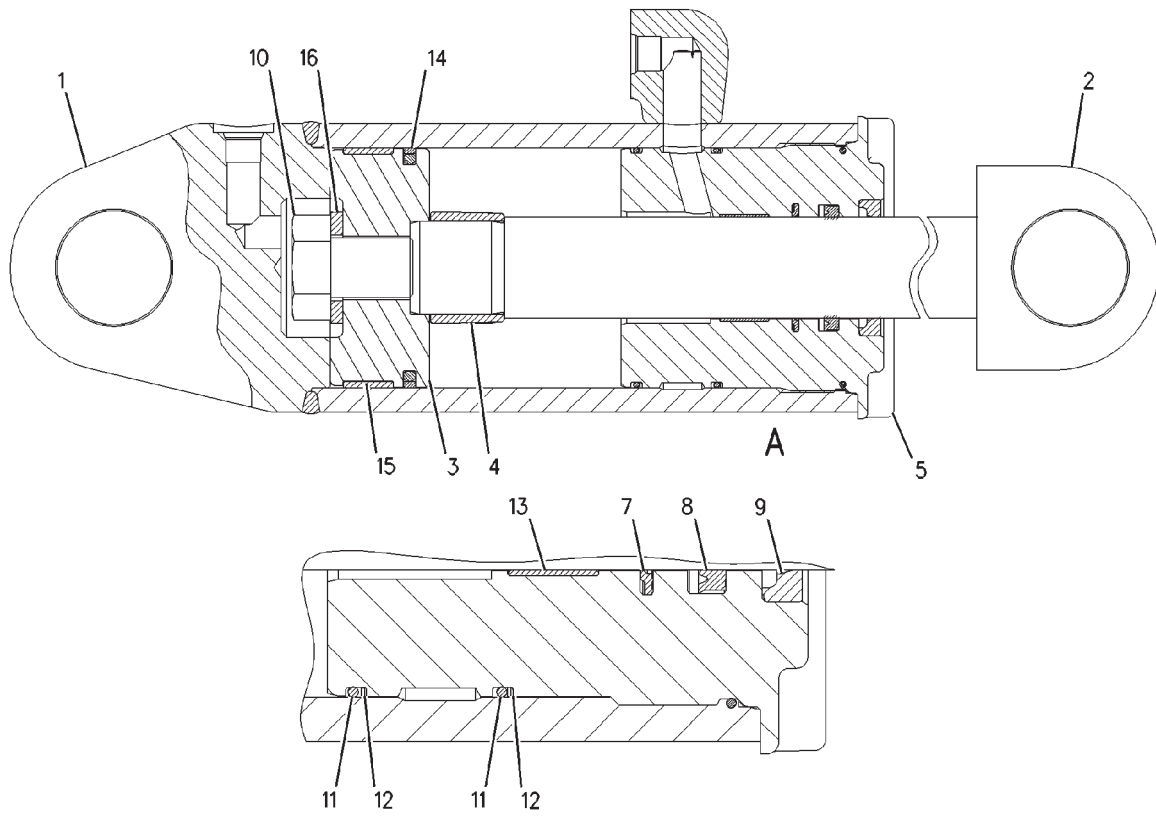
| ITEM | NUMBER | QTY | DESCRIPTION |
|------|------------|-----|---|
| - | CH189-4911 | - | CYLINDER AS-STEERING [A] (NOT SERVICED) (SERVICE W/COMPLETE GP CH184-5034) |
| 1 | CH189-4882 | 1 | CYLINDER ASM (DRAWBAR) |
| 2 | CH189-4888 | 1 | HEAD |
| 3 | CH189-4906 | 1 | ROD ASM |
| 4 | CH189-4907 | 1 | PISTON |
| 5 | CH167-2195 | 1 | SEAL ASM-BUFFER |
| 6 | 502088D1 | 1 | SEAL-U-CUP |
| 7 | CH167-2457 | 1 | SEAL-WIPER |
| 8 | CH173-9683 | 1 | BOLT-HEX HEAD (M30X3.5X90MM) |
| 9 | CH175-7900 | 1 | SEAL-O-RING |
| 10 | CH189-6397 | 1 | RING-WEAR |
| 11 | CH2K-6830 | 1 | RING-BACKUP |
| 12 | CH5J-7154 | 1 | RING-WEAR |
| 13 | CH8C-9160 | 1 | SEAL ASM |
| 14 | CH9X-8399 | 1 | WASHER (33X56X6) |

[A] PART OF CH184-5034 CYLINDER GP

00852369
PR: t05b22n43d0407

MT800B SERIES TRACTORS
DRAWBAR, THREE POINT HITCH AND PTO

CYLINDER AS-STEERING - CH189-6001



VIEW OF AREA A

MT800B SERIES TRACTORS
DRAWBAR, THREE POINT HITCH AND PTO

941

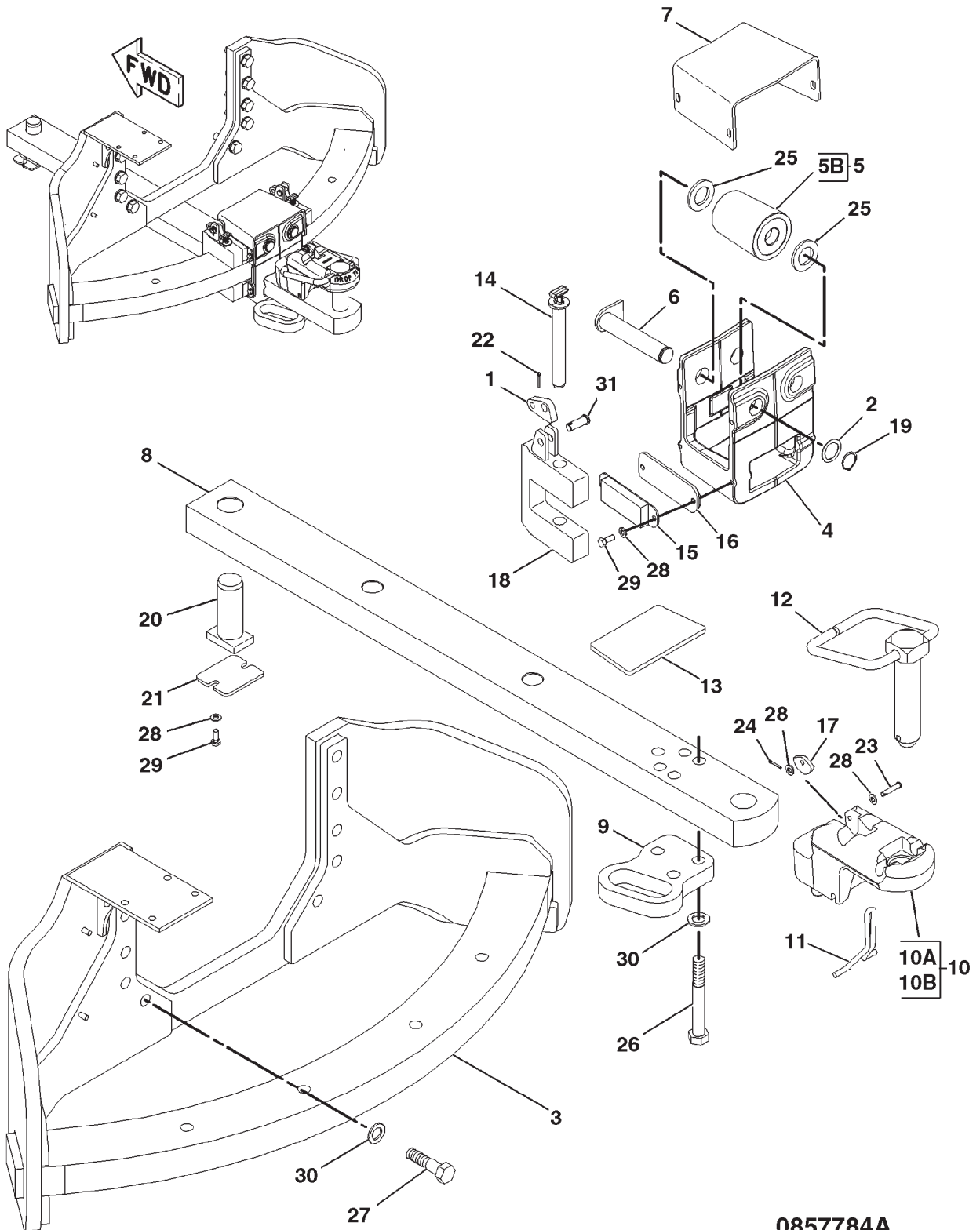
CYLINDER AS-STEERING - CH189-6001

| ITEM | NUMBER | QTY | DESCRIPTION |
|------|------------|-----|---|
| - | CH189-6001 | - | CYLINDER AS-STEERING [A] (NOT SERVICED) (SERVICE W/COMPLETE GP 183-4396) |
| 1 | | 1 | BODY (ORDER COMPLETE ASY) |
| 2 | 189-5987 | 1 | ROD ASM |
| 3 | 189-5989 | 1 | PISTON |
| 4 | | 1 | STOP (ORDER COMPLETE AS) |
| 5 | | 1 | HEAD (ORDER COMPLETE AS) |
| 6 | 501820D1 | 1 | SEAL-O-RING |
| 7 | 501963D1 | 1 | SEAL ASM-BUFFER |
| 8 | 502088D1 | 1 | SEAL-U-CUP |
| 9 | 502097D1 | 1 | SEAL-WIPER |
| 10 | 502095D1 | 1 | BOLT-HEX HEAD (M30X3.5X90MM) |
| 11 | 502096D1 | 2 | SEAL-O-RING |
| 12 | 500967D1 | 2 | RING-BACKUP |
| 13 | 500968D1 | 1 | RING-WEAR |
| 14 | 500936D1 | 1 | SEAL ASM |
| 15 | 500939D1 | 1 | RING-WEAR |
| 16 | 500940D1 | 1 | WASHER (33X56X6) |

[A] PART OF 183-4396 CYLINDER
GP-STEERING

00853288
PR: t05b22n43d0408

DRAWBAR GP-WIDE SWINGING
180-4036



0857784A

MT800B SERIES TRACTORS
DRAWBAR, THREE POINT HITCH AND PTO

943

DRAWBAR GP-WIDE SWINGING
180-4036

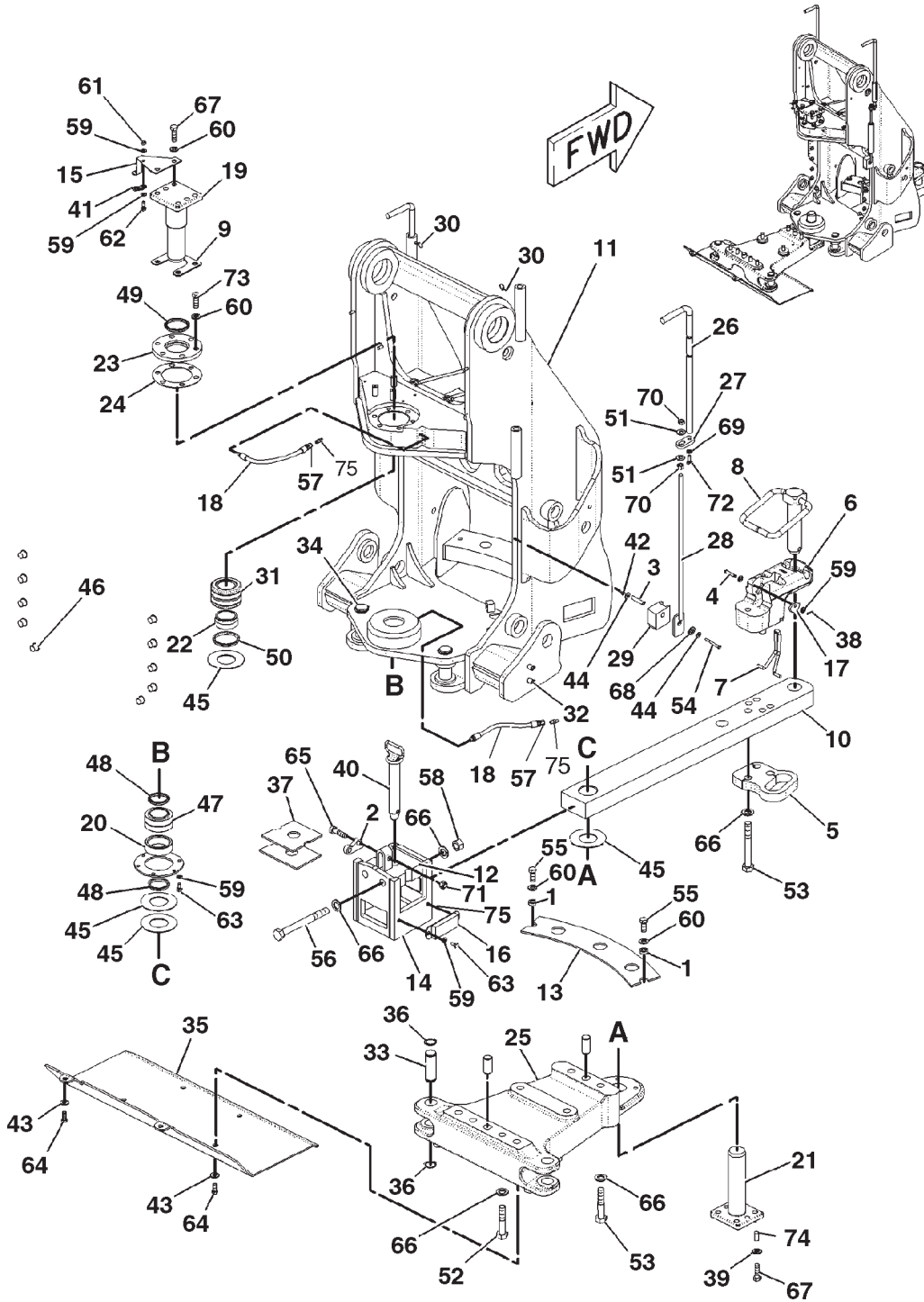
| ITEM | NUMBER | QTY | DESCRIPTION |
|------|------------|-----|--|
| - | 180-4036 | - | DRAWBAR GP-SWINGING [A] (NOT SERVICED) |
| 1 | CH7B-0863 | 2 | LATCH-PIN |
| 2 | CH117-0754 | 2 | SHIM (1) |
| 3 | 184-5042 | 1 | PLATE ASM |
| | CH7T-1099 | 2 | LINK |
| | 400263X1 | 1 | STUD |
| 4 | 184-5049 | 1 | BRACKET |
| 5 | 184-5051 | 2 | ROLLER ASM |
| 5B | CH033-1097 | 2 | BALL BEARING |
| 6 | 184-5053 | 2 | PIN ASM |
| 7 | 184-5055 | 1 | PLATE |
| 8 | 184-5060 | 1 | DRAWBAR |
| 9 | 184-5062 | 1 | PLATE |
| 10 | 186-0994 | 1 | CLEAVES ASM (NOT SERVICED) |
| 10A | 186-0995 | 1 | CLEVIS |
| 10B | CH8K-0589 | 2 | DOWEL |
| 11 | CH186-0996 | 1 | PIN |
| 12 | CH186-0997 | 1 | PIN (50MM DIA) |
| 13 | CH186-0998 | 1 | PLATE |
| 14 | CH200-8747 | 2 | PIN |
| 15 | CH200-8749 | 4 | STOP |
| 16 | 200-8750 | 2 | PLATE |
| 17 | CH206-4627 | 1 | LOCK |
| 18 | 206-4631 | 2 | PLATE ASM |
| 19 | CH1J-6474 | 2 | RING-RETAINING |
| 20 | CH200-8751 | 1 | PIN-DRAWBAR |
| 21 | 501948D1 | 1 | PLATE |
| 22 | CH3B-4617 | 2 | PIN-COTTER |
| 23 | CH177-3405 | 1 | PIN |
| 24 | CH3B-4611 | 1 | PIN-COTTER |
| 25 | 400079X1 | 4 | WASHER-HARD (37X60X3) |
| 26 | 400182X1 | 3 | BOLT (M24X3.0X180MM) |
| 27 | 400361X1 | 10 | BOLT (M24X3X90MM) |
| 28 | 400287X1 | 12 | WASHER-HARD (11X21X2.5) |
| 29 | 400039X1 | 10 | BOLT (M10X1.5X25MM) |
| 30 | 400081X1 | 13 | WASHER-HARD (26X44X4) |
| 31 | CH9S-1315 | 2 | PIN-CLEVIS |

[A] PART OF 184-5033 CONTROL AR-DRAWBAR

0857784A
PR: t05b22n43d0409

MT800B SERIES TRACTORS
DRAWBAR, THREE POINT HITCH AND PTO

DRAWBAR GP-SWINGING
210-7507



**MT800B SERIES TRACTORS
DRAWBAR, THREE POINT HITCH AND PTO**

945

**DRAWBAR GP-SWINGING
210-7507**

| ITEM | NUMBER | QTY | DESCRIPTION |
|------|------------|-----|--|
| - | 210-7507 | - | DRAWBAR GP-SWINGING [A] (NOT SERVICED) |
| 1 | CH4L-8183 | 2 | SPACER (16.66X29.15X9.53) |
| 2 | CH150-8766 | 1 | LATCH |
| 3 | CH164-7491 | 2 | TUBE (50 MM)(SEE NOTE J) |
| 4 | CH177-3405 | 1 | PIN |
| 5 | 184-5062 | 1 | PLATE |
| 6 | 186-0994 | 1 | CLEVIS ASM (NOT SERVICED) |
| | 186-0995 | 1 | CLEVIS |
| | CH8K-0589 | 2 | DOWEL |
| 7 | CH186-0996 | 1 | PIN |
| 8 | CH186-0997 | 1 | PIN (50MM DIA) |
| 9 | 186-1071 | 1 | SHIM PACK |
| 10 | 186-1077 | 1 | DRAWBAR |
| 11 | 186-1078 | 1 | FRAME ASM-HITCH |
| | CH7T-1099 | 12 | LINK |
| | 400263X1 | 5 | STUD-WELD (M10X1.5X17.5MM) |
| | CH9R-2613 | 5 | BOSS (M10X1.5X25MM) |
| 12 | 196-3036 | 1 | PLATE ASM |
| 13 | 196-3037 | 1 | PLATE |
| 14 | 196-3052 | 1 | BRACKET ASM |
| 15 | 199-6265 | 1 | BRACKET |
| 16 | CH200-8749 | 2 | STOP ASM |
| 17 | CH206-4627 | 1 | LOCK |
| 18 | CH210-7488 | 2 | HOSE ASM |
| 19 | CH210-7492 | 1 | PIN ASM (SERVICED COMPLETE) |
| 20 | 210-7495 | 1 | PLATE ASM |
| 21 | 210-7497 | 1 | PIN |
| 22 | CH210-7499 | 1 | SPACER |
| 23 | 210-7500 | 1 | PLATE |
| 24 | 210-7501 | 1 | SHIM PACK |
| 25 | 210-7504 | 1 | PIVOT |
| 26 | 210-7512 | 2 | ROD |
| 27 | 210-7513 | 2 | PLATE |
| 28 | 210-7514 | 2 | ROD ASM |
| 29 | 210-7515 | 2 | BLOCK |
| 30 | CH210-7518 | 2 | PIN |
| 31 | CH213-6199 | 1 | BEARING-SELF-ALIGNING |
| 32 | CH193-5914 | 4 | PLUG |
| 33 | CH196-3041 | 2 | PIN |
| 34 | CH196-3042 | 2 | PIN |
| 35 | 200-8775 | 1 | PLATE |
| 36 | CH201-8106 | 8 | RING-RETAINING |
| 37 | 206-4619 | 1 | PLATE |
| 38 | CH3B-4611 | 1 | PIN-COTTER |
| 39 | 400078X1 | 4 | WASHER-HARD (16.5X50X5) |

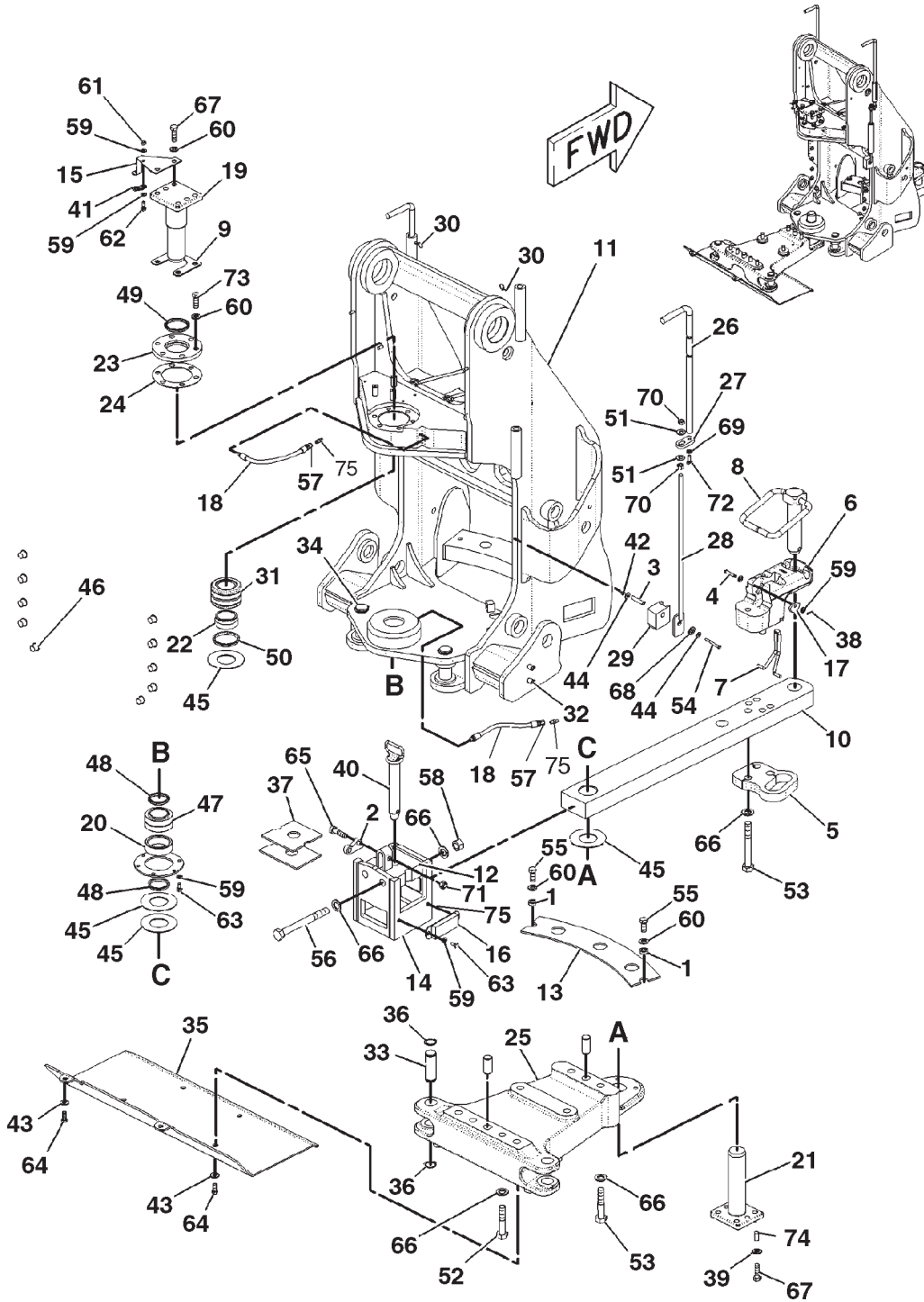
CONTINUED

[A] PART OF: 169-0027; 169-0028;
179-0852; 180-6639; 186-0979 &
189-3300 HITCH AR-3 POINT

0898157A
PR: t05b22n43d0410

MT800B SERIES TRACTORS
DRAWBAR, THREE POINT HITCH AND PTO

DRAWBAR GP-SWINGING
210-7507



MT800B SERIES TRACTORS
DRAWBAR, THREE POINT HITCH AND PTO

947

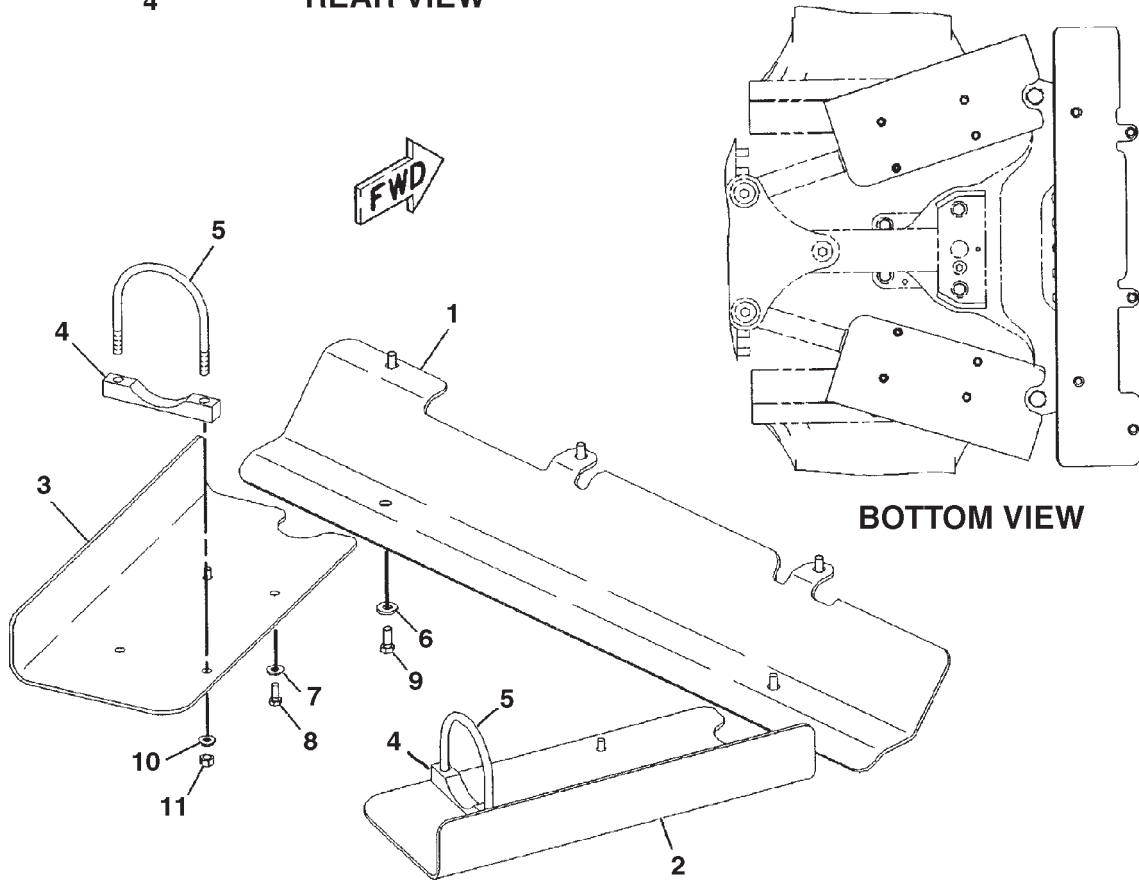
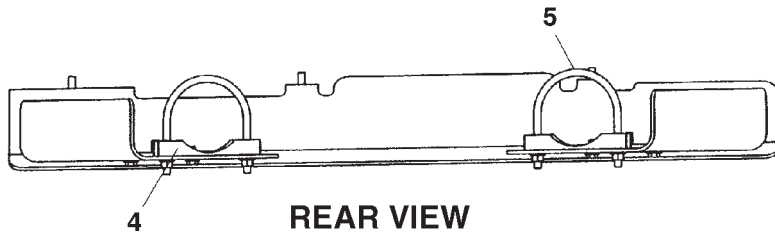
DRAWBAR GP-SWINGING
210-7507

| ITEM | NUMBER | QTY | DESCRIPTION |
|------|-----------|-----|--|
| - | 210-7507 | - | DRAWBAR GP-SWINGING [A] (NOT SERVICED) |
| 40 | CH3W-6116 | 1 | PIN |
| 41 | CH4P-7428 | 1 | CLIP |
| 42 | 400300X1 | 2 | NUT (M6X1) |
| 43 | 400381X1 | 6 | WASHER-HARD (13.5X30X4) |
| 44 | CH5P-4115 | 4 | WASHER-HARD (7.2X19X2) |
| 45 | CH5V-0354 | 4 | WASHER (66X133X3.0) |
| 46 | 400095X1 | 10 | PLUG-PROTECTION |
| 47 | CH7J-1309 | 1 | BEARING |
| 48 | CH7K-9205 | 2 | SEAL-LIP |
| 49 | CH7K-9209 | 1 | SEAL-LIP |
| 50 | CH7K-9210 | 1 | SEAL-LIP |
| 51 | CH7X-0605 | 4 | WASHER-HARD (13X28X1.6) |
| 52 | 400025X1 | 6 | BOLT (M24X3X110MM) |
| 53 | 400182X1 | 9 | BOLT (M24X3.0X180MM) |
| 54 | 400187X1 | 2 | BOLT (M6X1X60MM) |
| 55 | 400191X1 | 2 | BOLT (M16X2X40MM) |
| 56 | 400198X1 | 2 | BOLT (M24X3X240MM) |
| 57 | CH8L-6557 | 2 | CONNECTOR |
| 58 | CH8T-4001 | 2 | NUT (M24X3) |
| 59 | 400287X1 | 14 | WASHER-HARD (11X21X2.5) |
| 60 | CH8T-4122 | 12 | WASHER-HARD (17X32X3.5) |
| 61 | 7774664 | 1 | NUT (M10X1.5) |
| 62 | 400039X1 | 1 | BOLT (M10X1.5X25MM) |
| 63 | 400040X1 | 10 | BOLT (M10X1.5X20MM) |
| 64 | 400041X1 | 6 | BOLT (M12X1.75X30MM) |
| 65 | 400222X1 | 1 | BOLT (M16X2X60MM) |
| 66 | 400081X1 | 19 | WASHER-HARD (26X44X4) |
| 67 | 400056X1 | 8 | BOLT (M16X2X50MM) |
| 68 | 400357X1 | 2 | WASHER-HARD (M12X25.5X3) |
| 69 | 400339X1 | 2 | WASHER-HARD (8.8X16X2) |
| 70 | CH8T-4244 | 4 | NUT (M12X1.75) |
| 71 | CH8T-4778 | 1 | LOCKNUT (M16X2) |
| 72 | 400341X1 | 2 | BOLT (M8X1.25X25) |
| 73 | 400244X1 | 6 | BOLT (M16X2.0X45) |
| 74 | CH2A-1314 | 4 | SPACER (16.7IDX25.4ODX23.8) |
| 75 | CH3B-8485 | 2 | FITTING-GREASE (45 DEG X 2NPTF) |

[A] PART OF: 169-0027; 169-0028;
179-0852; 180-6639; 186-0979 &
189-3300 HITCH AR-3 POINT

0898157A
PR: t05b22n43d0410

GUARD GP-CYLINDER
200-8772



MT800B SERIES TRACTORS
DRAWBAR, THREE POINT HITCH AND PTO

949

GUARD GP-CYLINDER
200-8772

| ITEM | NUMBER | QTY | DESCRIPTION |
|------|------------|-----|--------------------------------------|
| - | 200-8772 | - | GUARD GP-CYLINDER [A] (NOT SERVICED) |
| 1 | 200-8773 | 1 | PLATE |
| 2 | 206-4604 | 1 | PLATE (LH) |
| 3 | 206-4605 | 1 | PLATE (RH) |
| 4 | 206-4635 | 2 | PLATE |
| 5 | CH147-7143 | 2 | U-BOLT (M12X1.75) |
| 6 | 400381X1 | 5 | WASHER-HARD (13.5X30X4) |
| 7 | CH7X-7729 | 4 | WASHER (11X25X3) |
| 8 | 400039X1 | 4 | BOLT (M10X1.5X25MM) |
| 9 | 400041X1 | 5 | BOLT (M12X1.75X30MM) |
| 10 | 400357X1 | 4 | WASHER-HARD (M12X25.5X3) |
| 11 | CH8T-4244 | 4 | NUT (M12X1.75) |

[A] PART OF 184-5033 & 210-7489
CONTROL AR-DRAWBAR

0852809A
PR: t05b22n43d0411

950

MT800B SERIES TRACTORS
DRAWBAR, THREE POINT HITCH AND PTO

HITCH AR
WIDE SWINGING DRAWBAR
179-0851

NO ILLUSTRATION

NOTIF17

MT800B SERIES TRACTORS
DRAWBAR, THREE POINT HITCH AND PTO

951

HITCH AR
WIDE SWINGING DRAWBAR
179-0851

| ITEM | NUMBER | QTY | DESCRIPTION |
|------|----------|-----|--|
| - | 179-0851 | - | HITCH AR (NOT SERVICED) |
| | 180-4039 | 1 | ADAPTER GP-PLUG (SEE BREAKDOWN FOR COMPONENTS) |
| | 180-4036 | 1 | DRAWBAR GP-SWINGING (NOT SERVICED) (SEE BREAKDOWN FOR COMPONENTS) |
| | 224-9662 | 1 | PLUG GP-3 PT HITCH (SEE BREAKDOWN FOR COMPONENTS) |
| | 210-7508 | 1 | SUPPORT GP-DRAWBAR (DRAWBAR) (SEE BREAKDOWN FOR COMPONENTS) |

NOTIF17
PR: t05b22n43d0412

952

MT800B SERIES TRACTORS
DRAWBAR, THREE POINT HITCH AND PTO

HITCH AR-3 POINT

CAT 3 & 4 NARROW-W/O HYDTRAILER BRAKES
169-0027

NO ILLUSTRATION

NOTIF17

**MT800B SERIES TRACTORS
DRAWBAR, THREE POINT HITCH AND PTO**

953

**HITCH AR-3 POINT
CAT 3 & 4 NARROW-W/O HYD TRAILER BRAKES
169-0027**

| ITEM | NUMBER | QTY | DESCRIPTION |
|------------|----------|-----|--|
| - | 169-0027 | - | HITCH AR-3 PT (ORDER ON DEALER CENTRAL) |
| | 136-5378 | 1 | CONTROL & WIRING GP-HITCH (LIFT CIRCUIT) (NOT SERVICED) (SEE BREAKDOWN FOR COMPONENTS) |
| | 152-0445 | 1 | CONTROL GP-HITCH (REAR)(3 POINT) (NOT SERVICED) (SEE BREAKDOWN FOR COMPONENTS) |
| | 179-3318 | 1 | COUPLER GP-QUICK (SEE BREAKDOWN FOR COMPONENTS) |
| CH192-6280 | | 2 | CYLINDER GP-LIFT (SEE BREAKDOWN FOR COMPONENTS) |
| | 183-4396 | 2 | CYLINDER GP-STEERING (HITCH LIFT) (SEE BREAKDOWN FOR COMPONENTS) |
| | 210-7507 | 1 | DRAWBAR GP-SWINGING (NOT SERVICED) (SEE BREAKDOWN FOR COMPONENTS) |
| | 179-3317 | 1 | HITCH GP-3 POINT (NOT SERVICED) (SEE BREAKDOWN FOR COMPONENTS) |
| | 158-2363 | 1 | LINES GP-CYLINDER (3 POINT HITCH) (NOT SERVICED) (SEE BREAKDOWN FOR COMPONENTS) |
| | 192-4708 | 1 | VALVE GP-BANK 3 (PRIORITY WITH HITCH) (SEE BREAKDOWN FOR COMPONENTS) |

NOTIF17
PR: t05b22n43d0413

954

MT800B SERIES TRACTORS
DRAWBAR, THREE POINT HITCH AND PTO

HITCH AR-3 POINT
CATEGORY 4-W/O HYDTRAILER BRAKES
169-0028

NO ILLUSTRATION

NOTIF17

MT800B SERIES TRACTORS
DRAWBAR, THREE POINT HITCH AND PTO

955

HITCH AR-3 POINT
CATEGORY 4-W/O HYD TRAILER BRAKES
169-0028

| ITEM | NUMBER | QTY | DESCRIPTION |
|------------|----------|-----|---|
| - | 169-0028 | - | HITCH AR-3 POINT (WHOLEGOODS) (ORDER ON DEALER CENTRAL) |
| | 136-5378 | 1 | CONTROL & WIRING GP-HITCH(LIFT CIRCUIT) (NOT SERVICED) (SEE BREAKDOWN FOR COMPONENTS) |
| | 152-0445 | 1 | CONTROL GP-HITCH (REAR)(3 POINT) (NOT SERVICED) (SEE BREAKDOWN FOR COMPONENTS) |
| | 180-6640 | 1 | COUPLER GP-QUICK (NOT SERVICED) (SEE BREAKDOWN FOR COMPONENTS) |
| CH192-6280 | | 2 | CYLINDER GP-LIFT (SEE BREAKDOWN FOR COMPONENTS) |
| | 183-4396 | 2 | CYLINDER GP-STEERING (HITCH LIFT) (SEE BREAKDOWN FOR COMPONENTS) |
| | 210-7507 | 1 | DRAWBAR GP-SWINGING (NOT SERVICED) (SEE BREAKDOWN FOR COMPONENTS) |
| | 184-5065 | 1 | HITCH GP-3 POINT (NOT SERVICED) (SEE BREAKDOWN FOR COMPONENTS) |
| | 158-2363 | 1 | LINES GP-CYLINDER (3 POINT HITCH) (NOT SERVICED) (SEE BREAKDOWN FOR COMPONENTS) |
| | 192-4708 | 1 | VALVE GP-BANK 3 (PRIORITY WITH HITCH) (SEE BREAKDOWN FOR COMPONENTS) |

NOTIF17
PR: t05b22n43d0414

956

MT800B SERIES TRACTORS
DRAWBAR, THREE POINT HITCH AND PTO

HITCH AR-3 POINT - 179-0852
CATEGORY 3/4 W/STEERABLE

NO ILLUSTRATION

NOTIF17

MT800B SERIES TRACTORS
DRAWBAR, THREE POINT HITCH AND PTO

957

HITCH AR-3 POINT - 179-0852
CATEGORY 3/4W/STEERABLE

| ITEM | NUMBER | QTY | DESCRIPTION |
|------------|----------|-----|---|
| - | 179-0852 | - | HITCH AR-3 POINT (NOT SERVICED) (SEE BREAKDOWN FOR COMPONENTS) |
| | 136-5378 | 1 | CONTROL & WIRING GP-HITCH (NOT SERVICED) (SEE BREAKDOWN FOR COMPONENTS) |
| | 152-0445 | 1 | CONTROL GP-HITCH (NOT SERVICED) (SEE BREAKDOWN FOR COMPONENTS) |
| | 179-3318 | 1 | COUPLER GP-QUICK (SEE BREAKDOWN FOR COMPONENTS) |
| CH192-6280 | | 2 | CYLINDER GP-LIFT (SEE BREAKDOWN FOR COMPONENTS) |
| | 183-4396 | 2 | CYLINDER GP-STEERING (SEE BREAKDOWN FOR COMPONENTS) |
| | 210-7507 | 1 | DRAWBAR GP-SWINGING (NOT SERVICED) (SEE BREAKDOWN FOR COMPONENTS) |
| | 179-3317 | 1 | HITCH GP-3 POINT (NOT SERVICED) (SEE BREAKDOWN FOR COMPONENTS) |
| | 158-2363 | 1 | LINES GP-CYLINDER (NOT SERVICED) (SEE BREAKDOWN FOR COMPONENTS) |

NOTIF17
PR: t05b22n43d0415

958

MT800B SERIES TRACTORS
DRAWBAR, THREE POINT HITCH AND PTO

HITCH AR-3 POINT - 180-6639
CATEGORY 4W/STEERABLE

NO ILLUSTRATION

NOTIF17

MT800B SERIES TRACTORS
DRAWBAR, THREE POINT HITCH AND PTO

959

HITCH AR-3 POINT - 180-6639
CATEGORY 4 W/STEERABLE

| ITEM | NUMBER | QTY | DESCRIPTION |
|------------|----------|-----|---|
| - | 180-6639 | - | HITCH AR-3 POINT (NOT SERVICED) (SEE BREAKDOWN FOR COMPONENTS) |
| | 136-5378 | 1 | CONTROL & WIRING GP-HITCH (NOT SERVICED) (SEE BREAKDOWN FOR COMPONENTS) |
| | 152-0445 | 1 | CONTROL GP-HITCH (NOT SERVICED) (SEE BREAKDOWN FOR COMPONENTS) |
| | 180-6640 | 1 | COUPLER GP-QUICK (NOT SERVICED) (SEE BREAKDOWN FOR COMPONENTS) |
| CH192-6280 | | 2 | CYLINDER GP-LIFT (SEE BREAKDOWN FOR COMPONENTS) |
| | 183-4396 | 2 | CYLINDER GP-STEERING (SEE BREAKDOWN FOR COMPONENTS) |
| | 210-7507 | 1 | DRAWBAR GP-SWINGING (NOT SERVICED) (SEE BREAKDOWN FOR COMPONENTS) |
| | 184-5065 | 1 | HITCH GP-3 POINT (NOT SERVICED) (SEE BREAKDOWN FOR COMPONENTS) |
| | 158-2363 | 1 | LINES GP-CYLINDER (NOT SERVICED) (SEE BREAKDOWN FOR COMPONENTS) |

NOTIF17
PR: t05b22n43d0416

960

MT800B SERIES TRACTORS
DRAWBAR, THREE POINT HITCH AND PTO

HITCH AR-3 POINT - 186-0979
CATAGORY 3&4 NARROW-W/HYD TRAILER BRAKES
EAME ONLY

NO ILLUSTRATION

NOTIF17

MT800B SERIES TRACTORS
DRAWBAR, THREE POINT HITCH AND PTO

961

HITCH AR-3 POINT - 186-0979
CATAGORY 3&4 NARROW-W/HYD TRAILER BRAKES
EAME ONLY

| ITEM | NUMBER | QTY | DESCRIPTION |
|------|------------|-----|---|
| - | 186-0979 | - | HITCH AR-3 POINT |
| 1 | 136-5378 | 1 | CONTROL & WIRING GP-HITCH (LIFT CIRCUIT) (NOT SERVICED, SEE BREAKDOWN) |
| 2 | 152-0445 | 1 | CONTROL GP-HITCH (REAR)(3 POINT) (NOT SERVICED, SEE BREAKDOWN) |
| 3 | 158-2363 | 1 | LINES GP-CYLINDER (3 POINT HITCH) (NOT SERVICED, SEE BREAKDOWN) |
| 4 | 179-3317 | 1 | HITCH GP-3 POINT (NOT SERVICED, SEE BREAKDOWN) |
| 5 | 179-3318 | 1 | COUPLER GP-QUICK (NOT SERVICED, SEE BREAKDOWN) |
| 6 | 193-8200 | 1 | VALVE AR (PRIORITY WITH HITCH) (NOT SERVICED, SEE BREAKDOWN) |
| 7 | 210-7507 | 1 | DRAWBAR GP-SWINGING (NOT SERVICED, SEE BREAKDOWN) |
| 8 | CH192-6280 | 2 | CYLINDER GP-LIFT (NOT SERVICED, SEE BREAKDOWN) |
| 9 | 501503D1 | 1 | DECAL SHEET-VEHICLE (SEE BREAKDOWN FOR COMPONENTS) |
| 10 | 501505D1 | 1 | DECAL SHEET-VEHICLE (SEE BREAKDOWN FOR COMPONENTS) |
| 11 | 183-4396 | 2 | CYLINDER GP-STEERING (HITCH LIFT) (SEE BREAKDOWN FOR COMPONENTS) |
| 12 | 501806D1 | 1 | TUBE AS |

NOTIF17
PR: t05b22n43d0417

962

MT800B SERIES TRACTORS
DRAWBAR, THREE POINT HITCH AND PTO

HITCH AR-3 POINT - 189-3300
CATEGORY 4-W/HYDRAULIC TRAILER BRAKES
EAME ONLY

NO ILLUSTRATION

NOTIF17

MT800B SERIES TRACTORS
DRAWBAR, THREE POINT HITCH AND PTO

963

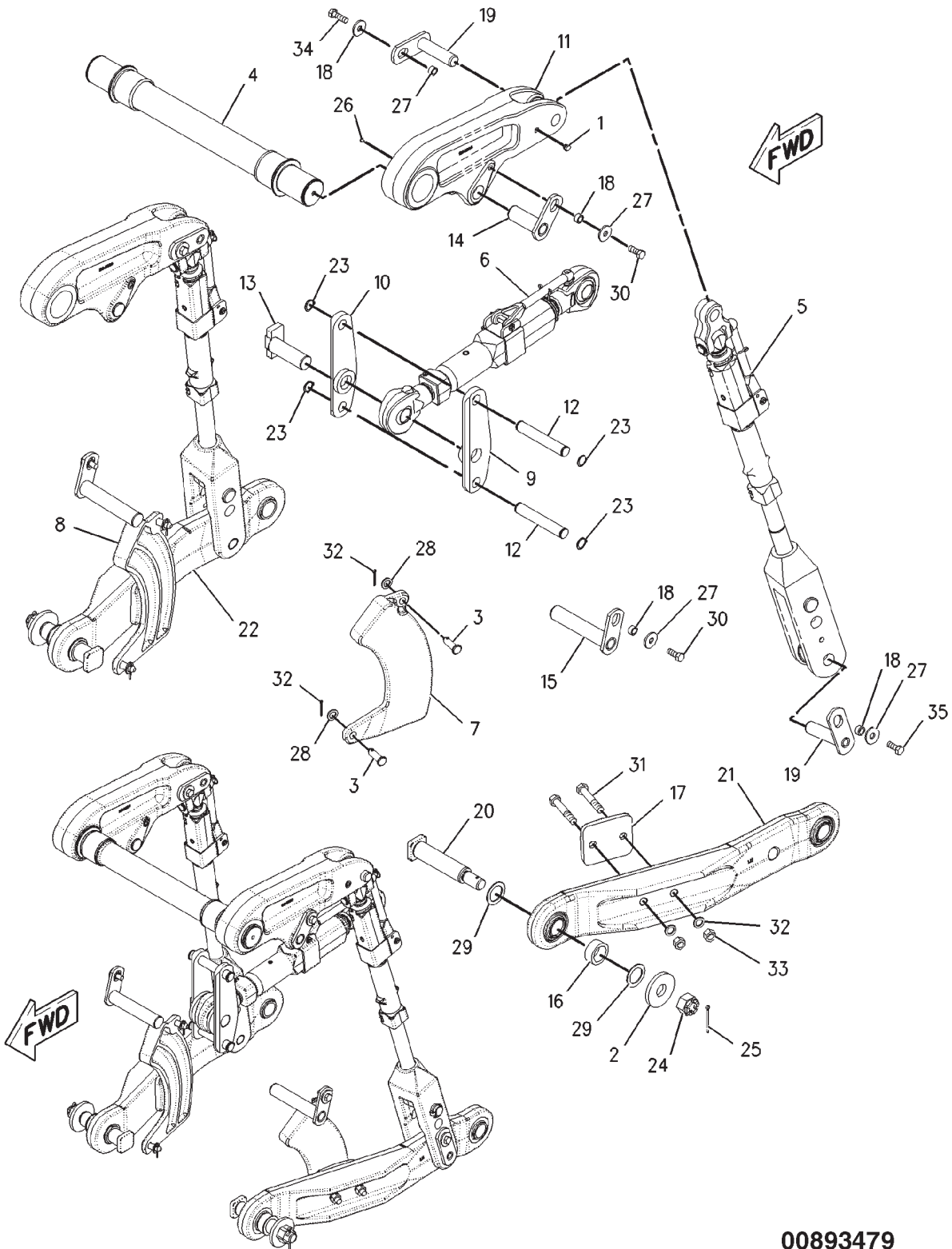
HITCH AR-3 POINT - 189-3300
CATEGORY 4-W/HYDRAULIC TRAILER BRAKES
EAME ONLY

| ITEM | NUMBER | QTY | DESCRIPTION |
|------|------------|-----|---|
| - | 189-3300 | - | HITCH AR-3 POINT |
| 1 | 136-5378 | 1 | CONTROL & WIRING GP-HITCH (LIFT CIRCUIT) (NOT SERVICED, SEE BREAKDOWN) |
| 2 | 152-0445 | 1 | CONTROL GP-HITCH (REAR)(3 POINT) (NOT SERVICED, SEE BREAKDOWN) |
| 3 | 158-2363 | 1 | LINES GP-CYLINDER (3 POINT HITCH) (NOT SERVICED, SEE BREAKDOWN) |
| 4 | 180-6640 | 1 | COUPLER GP-QUICK (NOT SERVICED, SEE BREAKDOWN) |
| 5 | 193-8200 | 1 | VALVE AR (W/HITCH & HYD TRAILER BRAKE) (NOT SERVICED, SEE BREAKDOWN) |
| 6 | 210-7507 | 1 | DRAWBAR GP-SWINGING (NOT SERVICED, SEE BREAKDOWN) |
| 7 | CH192-6280 | 2 | CYLINDER GP-LIFT (NOT SERVICED, SEE BREAKDOWN) |
| 8 | 501503D1 | 1 | DECAL SHEET-VEHICLE (SEE BREAKDOWN FOR COMPONENTS) |
| 9 | 501505D1 | 1 | DECAL SHEET-VEHICLE (SEE BREAKDOWN FOR COMPONENTS) |
| 10 | 183-4396 | 2 | CYLINDER GP-STEERING (HITCH LIFT) (SEE BREAKDOWN FOR COMPONENTS) |
| 11 | 184-5065 | 1 | HITCH GP-3 POINT (NOT SERVICED) (SEE BREAKDOWN FOR COMPONENTS) |
| 12 | 501806D1 | 1 | TUBE AS |

NOTIF17
PR: t05b22n43d0418

MT800B SERIES TRACTORS
DRAWBAR, THREE POINT HITCH AND PTO

HITCH GP-3 POINT - 179-3317
CATEGORY 3/4



MT800B SERIES TRACTORS
DRAWBAR, THREE POINT HITCH AND PTO

965

HITCH GP-3 POINT - 179-3317
CATEGORY 3/4

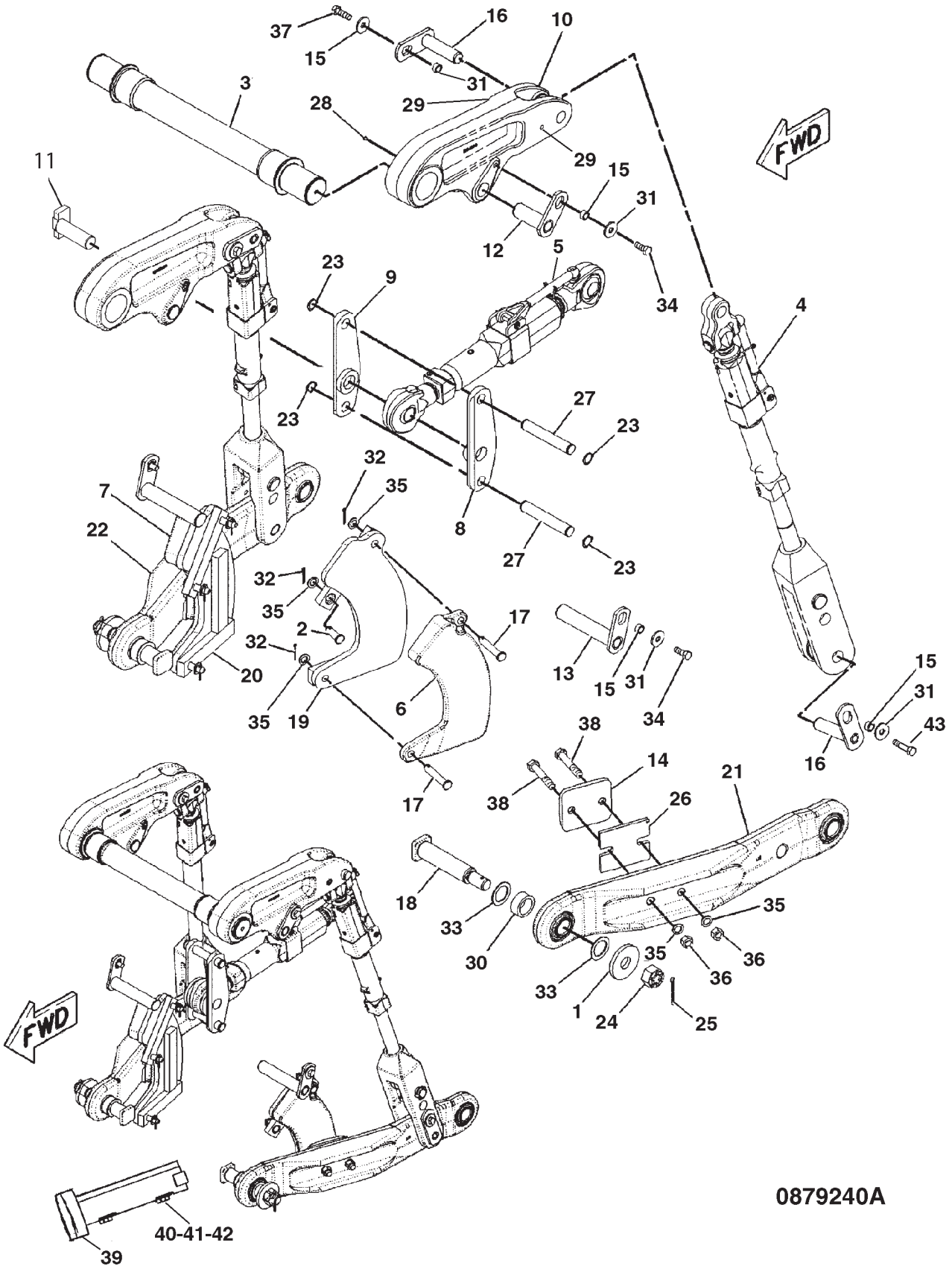
| ITEM | NUMBER | QTY | DESCRIPTION |
|------|------------|-----|---|
| - | 179-3317 | - | HITCH GP-3 POINT [A] (NOT SERVICED) (SERVICED BY COMPONENTS) |
| 1 | 400039X1 | 6 | PLUG-SEAL |
| 2 | 400291X1 | 2 | SPACER (39X110X12) |
| 3 | CH152-4241 | 4 | PIN |
| 4 | 186-1063 | 1 | ROCKSHAFT GP (NOT SERVICED) (SEE BREAKDOWN FOR COMPONENTS) |
| 5 | 186-1090 | 2 | LINK GP-LIFT (SEE BREAKDOWN FOR COMPONENTS) |
| 6 | 186-1091 | 1 | LINK GP-UPPER (SEE BREAKDOWN FOR COMPONENTS) |
| 7 | 189-3307 | 1 | LIMITER (LH) |
| 8 | 189-3308 | 1 | LIMITER (RH) |
| 9 | 190-2608 | 1 | SUPPORT ASM |
| 10 | 190-2609 | 1 | SUPPORT ASM |
| 11 | 190-2624 | 2 | ARM-LIFT |
| 12 | CH190-2634 | 2 | PIN |
| 13 | CH196-3019 | 1 | PIN ASM |
| 14 | CH196-3025 | 2 | PIN ASM |
| 15 | CH196-3030 | 2 | PIN ASM |
| 16 | CH196-3034 | 2 | SPACER (51X70X28) |
| 17 | 198-8378 | 2 | BLOCK |
| 18 | CH200-0010 | 8 | SPACER (17.5X25.4X12.5) |
| 19 | CH200-8708 | 4 | PIN ASM |
| 20 | CH206-4640 | 2 | PIN |
| 21 | 213-7061 | 1 | LINK ASM (LH) (INCLUDES LINK, BALL AND RACE) |
| 22 | 213-7062 | 1 | LINK ASM (RH) (INCLUDES LINK, BALL AND RACE) |
| 23 | 400290X1 | 4 | RING-RETAINING |
| 24 | 400285X1 | 2 | NUT-CASTLE (M36X4-6H) |
| 25 | 400283X1 | 2 | PIN-COTTER |
| 26 | 400289X1 | 1 | PLUG |
| 27 | 400078X1 | 8 | WASHER (16.5X50X5) |
| 28 | 400284X1 | 4 | PIN-COTTER |
| 29 | 400288X1 | 4 | WASHER-HARD (51X74X3) |
| 30 | 400191X1 | 4 | BOLT (M16X2X40MM) |
| 31 | 400033X1 | 4 | BOLT (M20X2.5X110MM) |
| 32 | 400080X1 | 8 | WASHER-HARD (22X35X3.5) |
| 33 | 400286X1 | 4 | NUT (M20X2.5) |
| 34 | 400056X1 | 2 | BOLT (M16X2X50MM) |
| 35 | 400244X1 | 2 | BOLT (M16X2.0X45MM) |

[A] PART OF:
169-0027; 179-0852; 186-0979
HITCH AR-3 POINT

00893479
PR: t05b22n43d0419

MT800B SERIES TRACTORS
DRAWBAR, THREE POINT HITCH AND PTO

HITCH GP-3 POINT - 184-5065
CATEGORY 4



0879240A

MT800B SERIES TRACTORS
DRAWBAR, THREE POINT HITCH AND PTO

967

HITCH GP-3 POINT - 184-5065
CATEGORY 4

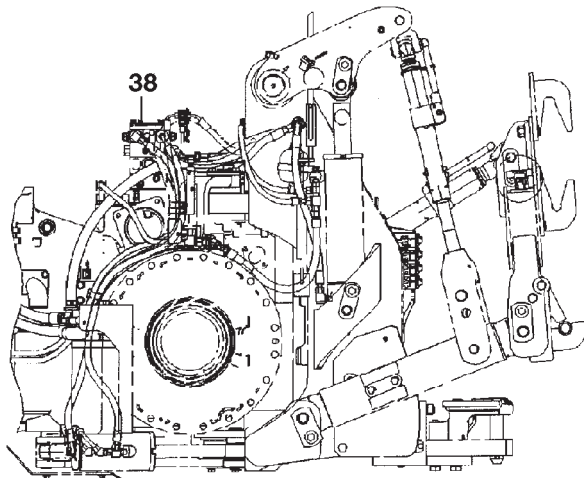
| ITEM | NUMBER | QTY | DESCRIPTION |
|------|------------|-----|---|
| - | 184-5065 | - | HITCH GP-3POINT [A] (NOT SERVICED) |
| 1 | 400291X1 | 2 | SPACER (39X110X12) |
| 2 | CH152-4241 | 2 | PIN |
| 3 | 186-1063 | 1 | ROCKSHAFT GP (NOT SERVICED) (SEE BREAKDOWN FOR COMPONENTS) |
| 4 | 186-1090 | 2 | LINK GP-LIFT (SEE BREAKDOWN FOR COMPONENTS) |
| 5 | 186-1091 | 1 | LINK GP-UPPER (SEE BREAKDOWN FOR COMPONENTS) |
| 6 | 189-3307 | 1 | LIMITER (LH) |
| 7 | 189-3308 | 1 | LIMITER (RH) |
| 8 | 190-2608 | 1 | SUPPORT ASM (TOP LINK LH) |
| 9 | 190-2609 | 1 | SUPPORT ASM (TOP LINK RH) |
| 10 | 190-2624 | 2 | ARM-LIFT (3 POINT HITCH) |
| 11 | CH196-3019 | 1 | PIN |
| 12 | CH196-3025 | 2 | PIN ASM (LH) |
| 13 | CH196-3030 | 2 | PIN ASM (LH) |
| 14 | 198-8378 | 2 | BLOCK |
| 15 | CH200-0010 | 8 | SPACER (17.5X25.4X12.5) |
| 16 | CH200-8708 | 4 | PIN ASM (QUICK COUPLER) |
| 17 | CH223-9804 | 4 | PIN |
| 18 | CH206-4640 | 2 | PIN (DRAFTARM) |
| 19 | 208-0563 | 1 | SPACER ASM (LH) |
| 20 | 208-0564 | 1 | SPACER ASM (RH) |
| 21 | 213-7061 | 1 | LINK ASM (LH) (INCL. LINK, BALL & RACE) |
| 22 | 213-7062 | 1 | LINK ASM (RH) (INCL. LINK, BALL & RACE) |
| 23 | 400290X1 | 4 | RING-RETAINING, EXT (29IDX2.36) |
| 24 | 400285X1 | 2 | NUT-CASTLE (M36X4-6H) |
| 25 | 400283X1 | 2 | PIN-COTTER (6.3DIA X80) |
| 26 | 189-3302 | 2 | SPACER (SWAY BLOCK) |
| 27 | CH190-2634 | 2 | PIN-TOP LINK SUPT (31.7DIA X194) |
| 28 | 400289X1 | 1 | PLUG-PROTECTIVE, PLASTIC (M7) |
| 29 | 400093X1 | 6 | PLUG-PROTECTIVE, PLASTIC (M14) |
| 30 | CH196-3034 | 2 | SPACER (51X70X28) |
| 31 | 400078X1 | 8 | WASHER (16.5X50X5) |
| 32 | 400284X1 | 6 | PIN-COTTER |
| 33 | 400288X1 | 4 | WASHER-HARD (51X74X3) |
| 34 | 400191X1 | 4 | BOLT (M16X2X40MM) |
| 35 | 400080X1 | 18 | WASHER-PLATED (22X35X3.5) |
| 36 | 400286X1 | 4 | NUT (M20X2.5) |
| 37 | 400056X1 | 2 | BOLT (M16X2X50MM) |
| 38 | 400236X1 | 4 | BOLT (M20X2.5X120MM) |
| 39 | 201-8342 | 2 | LIMITER ASM-LG |
| 40 | 400040X1 | 8 | BOLT (M10X1.5X20) |
| 41 | 400287X1 | 8 | WASHER-HARD |
| 42 | 201-8344 | 4 | PLATE |
| 43 | 400244X1 | 2 | BOLT (M16X2X45) |

[A] PART OF 169-0028;180-6639;189-3300
HITCH AR-3 POINT

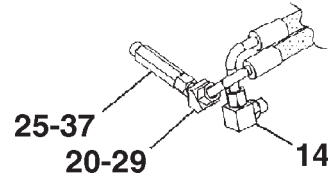
0879240A
PR: t05b22n43d0420

MT800B SERIES TRACTORS
DRAWBAR, THREE POINT HITCH AND PTO

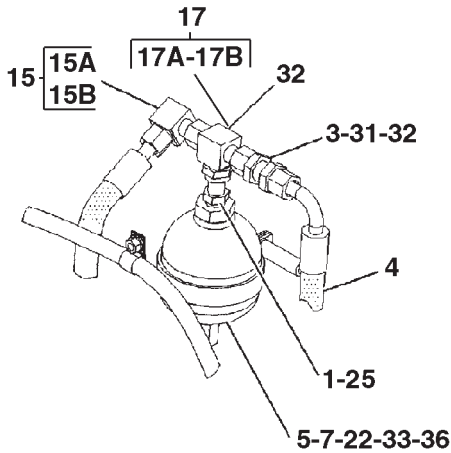
LINES GP-CYLINDER - 158-2363
3 POINT HITCH



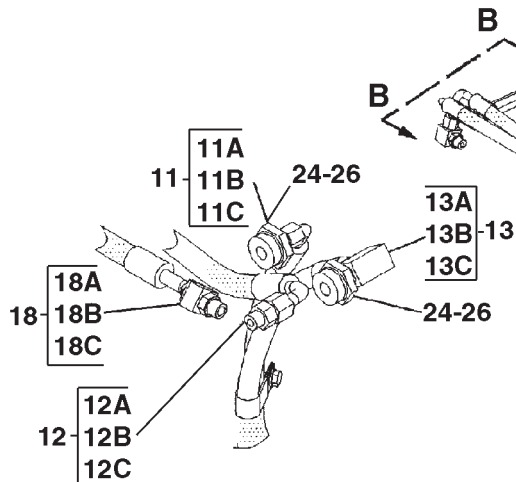
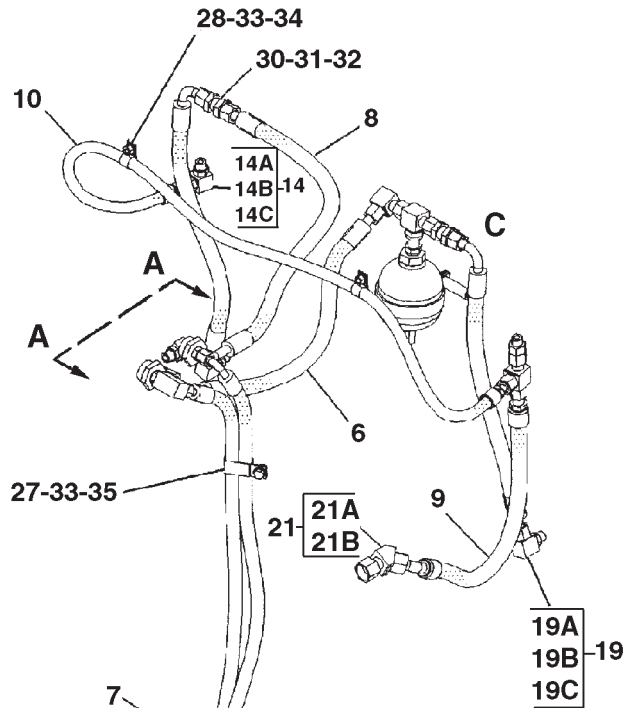
LEFT SIDE VIEW



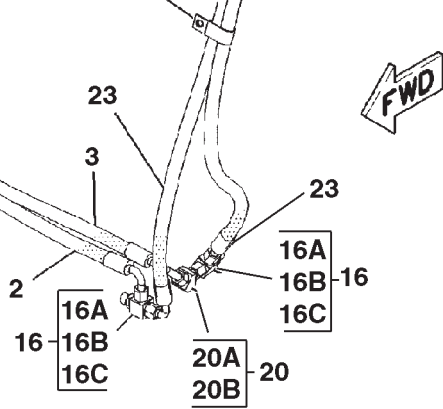
VIEW B-B



VIEW OF AREA C



VIEW A-A



LEFT SIDE VIEW
(FRONT)

0894174A

MT800B SERIES TRACTORS
DRAWBAR, THREE POINT HITCH AND PTO

969

LINES GP-CYLINDER - 158-2363
3 POINT HITCH

| ITEM | NUMBER | QTY | DESCRIPTION |
|------|------------|-----|--------------------------------------|
| - | 158-2363 | - | LINES GP-CYLINDER [A] (NOT SERVICED) |
| 1 | CH108-7251 | 1 | COUPLING |
| 2 | CH174-5810 | 1 | HOSE ASM |
| 3 | CH174-9215 | 1 | HOSE ASM |
| 4 | CH197-4832 | 2 | HOSE ASM |
| 5 | CH199-7718 | 1 | CLAMP |
| 6 | CH211-9968 | 1 | HOSE ASM |
| 7 | CH212-0279 | 1 | SPACER |
| 8 | CH213-6273 | 1 | HOSE ASM |
| 9 | CH213-8872 | 1 | HOSE ASM |
| 10 | CH218-2969 | 1 | HOSE ASM |
| 11 | CH148-8340 | 2 | CONNECTOR AS-8ORFS-8STOR |
| 11A | CH3K-0360 | 1 | SEAL-O-RING (16.36IDX2.21DIA) |
| 11B | CH6V-8398 | 1 | SEAL-O-RING (16.03ODX1.78DIA) |
| 11C | | 1 | CONNECTOR (ORDER IT. 11) |
| 12 | CH148-8342 | 2 | CONNECTOR AS (20ORFSX20STOR) |
| 12A | CH3K-0360 | 1 | SEAL-O-RING (16.36IDX2.21DIA) |
| 12B | | 1 | CONNECTOR (ORDER ITEM 12) |
| 12C | 400322X1 | 1 | SEAL-O-RING (19.28IDX1.78DIA) |
| 13 | CH148-8346 | 1 | ELBOW AS-90DEG (8STOR-8ORFS) |
| 13A | CH3K-0360 | 1 | SEAL-O-RING (16.36IDX2.21DIA) |
| 13B | CH6V-8398 | 1 | SEAL-O-RING (16.03ODX1.78DIA) |
| 13C | | 1 | ELBOW (ORDER ITEM 13) |
| 14 | CH148-8364 | 1 | ELBOW ASM-90DEG -8STOR -8ORFS |
| 14A | CH3K-0360 | 1 | SEAL-O-RING (16.36 ID X 2.21 DIA) |
| 14B | CH6V-8398 | 1 | SEAL-O-RING (16.03 OD X 1.78 DIA) |
| 14C | | 1 | ELBOW (ORDER ITEM 14) |

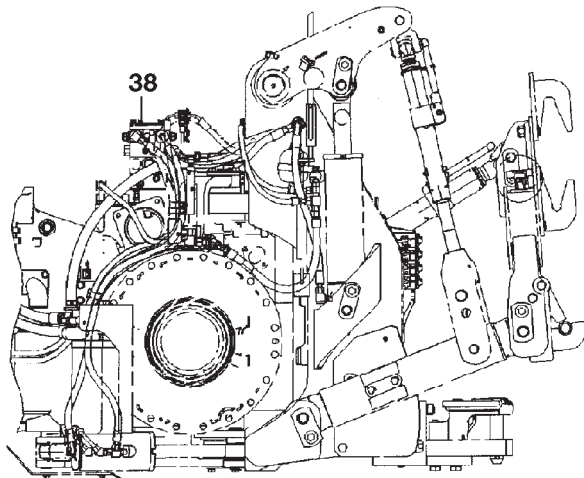
CONTINUED

[A] PART OF 169-0027;169-0028;179-0852;
180-6639 HITCH AR-3 POINT

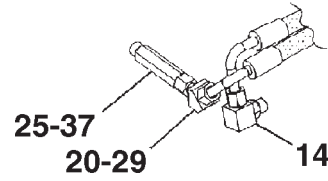
0894174A
PR: t05b22n43d0421

MT800B SERIES TRACTORS
DRAWBAR, THREE POINT HITCH AND PTO

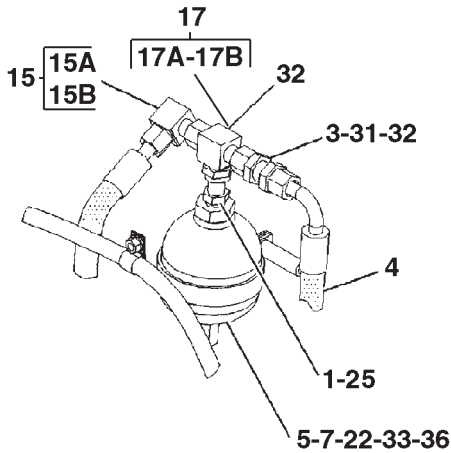
LINES GP-CYLINDER - 158-2363
3 POINT HITCH



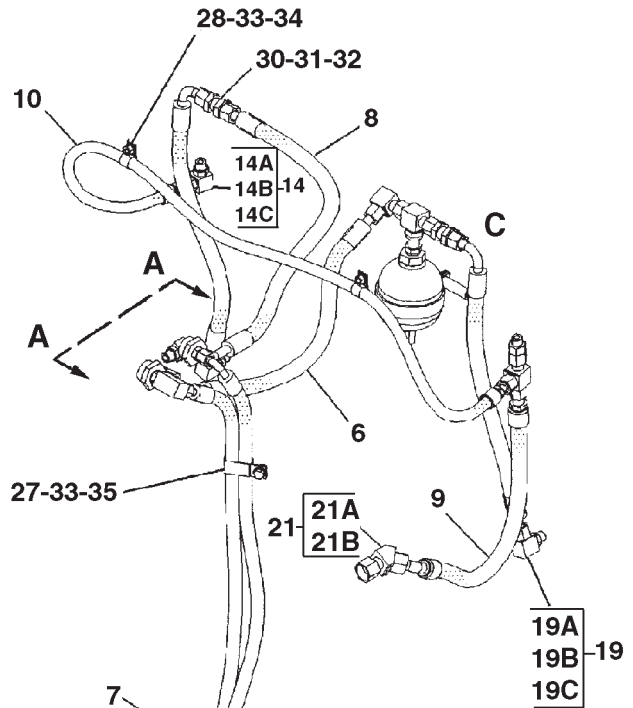
LEFT SIDE VIEW



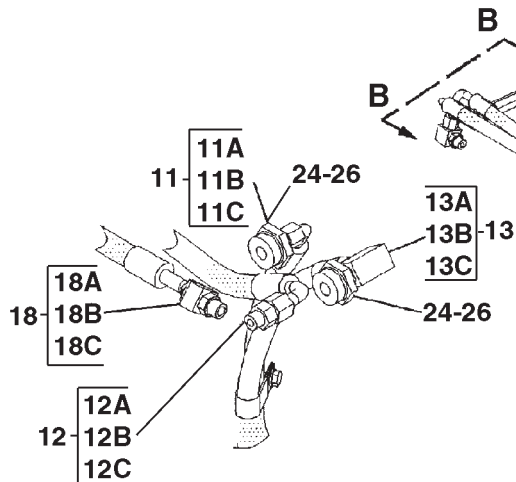
VIEW B-B



VIEW OF AREA C



LEFT SIDE VIEW
(FRONT)



VIEW A-A

0894174A

MT800B SERIES TRACTORS
DRAWBAR, THREE POINT HITCH AND PTO

971

LINES GP-CYLINDER - 158-2363
3 POINT HITCH

| ITEM | NUMBER | QTY | DESCRIPTION |
|------|------------|-----|--------------------------------------|
| - | 158-2363 | - | LINES GP-CYLINDER [A] (NOT SERVICED) |
| 15 | CH148-8393 | 1 | ELBOW AS-90DEG (10ORFS SWIVEL) |
| 15A | | 1 | ELBOW (ORDER ITEM 15) |
| 15B | 400322X1 | 1 | SEAL-O-RING (19.28IDX1.78DIA) |
| 16 | CH148-8428 | 2 | TEE AS (8ORFSX8ORFSX8STOR) |
| 16A | CH3K-0360 | 1 | SEAL-O-RING (16.36IDX2.21DIA) |
| 16B | CH6V-8398 | 2 | SEAL-O-RING (16.03ODX1.78DIA) |
| 16C | | 1 | TEE-FACE SEAL (ORDER ITEM 16) |
| 17 | CH148-8446 | 2 | TEE AS-SWIVEL (10ORFSX3) |
| 17A | | 1 | TEE-SWIVEL (ORDER ITEM 17) |
| 17B | 400322X1 | 2 | SEAL-O-RING (19.28IDX1.78DIA) |
| 18 | CH150-3037 | 1 | ELBOW AS-45DEG (10ORFSX8STOR) |
| 18A | CH3K-0360 | 1 | SEAL-O-RING |
| 18B | 400322X1 | 1 | SEAL-O-RING (19.28IDX1.78DIA) |
| 18C | | 1 | ELBOW (ORDER ITEM 18) |
| 19 | 400412X1 | 2 | ELBOW AS-90DEG (8STORX10ORFS) |
| 19A | CH3K-0360 | 1 | SEAL-O-RING (16.36IDX2.21DIA) |
| 19B | | 1 | ELBOW (ORDER ITEM 18) |
| 19C | 400322X1 | 1 | SEAL-O-RING (19.28IDX1.78DIA) |
| 20 | 400616X1 | 2 | ELBOW AS-8 ORFS 45DEG |
| 20A | CH6V-8398 | 1 | SEAL-O-RING (16.03ODX1.78DIA) |
| 20B | | 1 | ELBOW (ORDER ITEM 20) |
| 21 | CH171-6723 | 1 | ELBOW ASM-45DEG (12ORFSX12ORFS) |
| 21A | 400366X1 | 1 | SEAL-O-RING (22.5ODX1.78DIA) |
| 21B | | 1 | ELBOW (ORDER ITEM 21) |
| 22 | 211-1156 | 1 | ACCUMULATOR ASM-HYDRAULIC |
| 23 | CH211-8202 | 2 | HOSE ASM |
| 24 | 400593X1 | 2 | SEAL-O-RING (37.46IDX3DIA) |
| 25 | CH3K-0360 | 2 | SEAL-O-RING (16.36IDX2.21DIA) |
| 26 | CH5P-8905 | 2 | ADAPTER-O-RING |
| 27 | CH6D-1641 | 2 | CLIP |
| 28 | CH6D-4246 | 2 | CLIP |
| 29 | CH6V-8398 | 1 | SEAL-O-RING |
| 30 | CH6V-8996 | 2 | UNION-BULKHEAD |
| 31 | CH6V-9170 | 2 | NUT-BULKHEAD (1-14) |
| 32 | 400322X1 | 4 | SEAL-O-RING (19.28IDX1.78DIA) |
| 33 | 400287X1 | 4 | WASHER-HARD (11X21X2.5) |
| 34 | 7774664 | 2 | NUT (M10X1.5) |
| 35 | 400040X1 | 1 | BOLT (M10X1.5X20MM) |
| 36 | 400225X1 | 1 | BOLT (M10X1.5X90MM) |
| 37 | CH9X-2304 | 1 | CONNECTOR |
| 38 | CH193-5914 | 1 | PLUG |

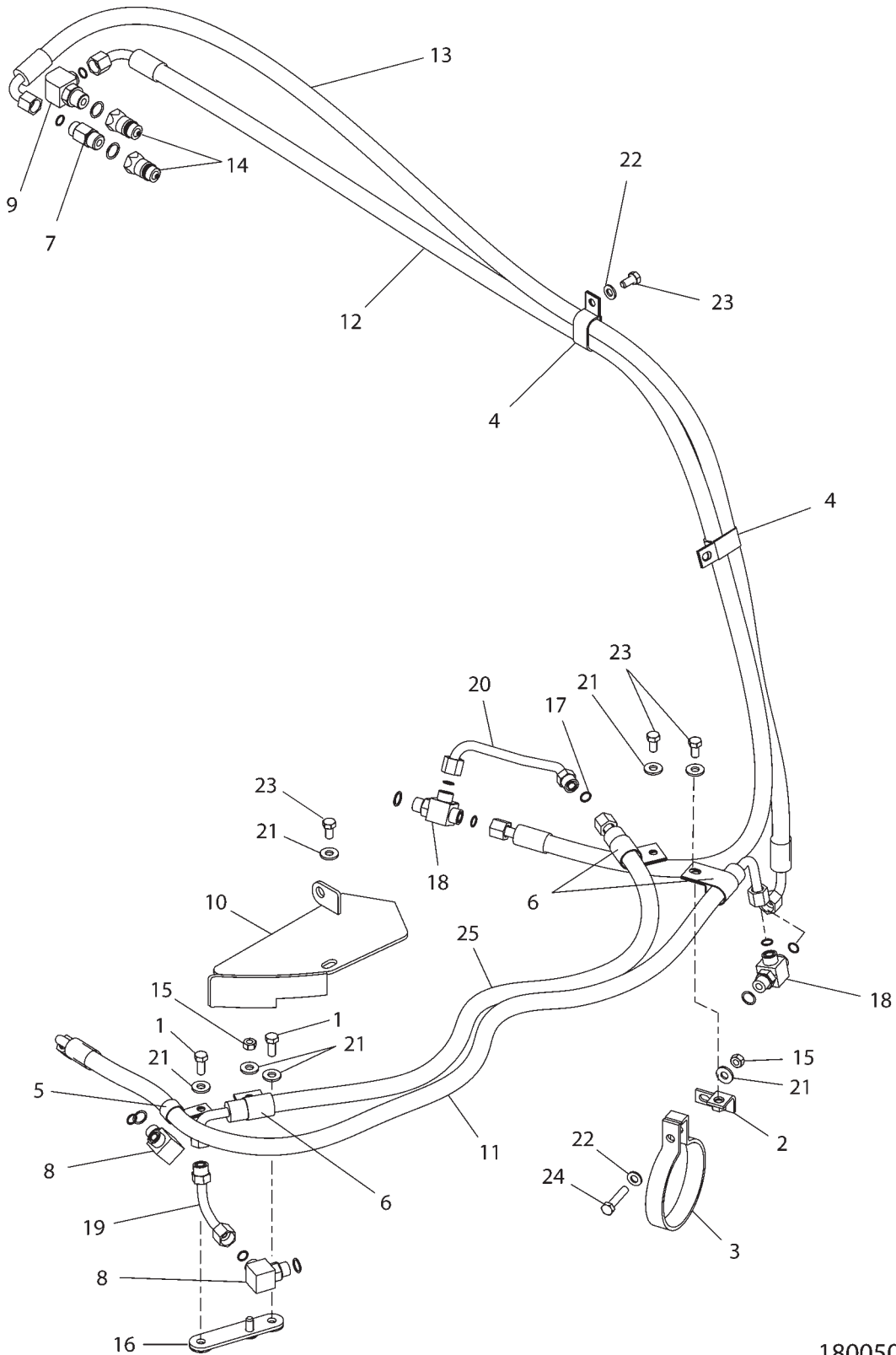
[A] PART OF 169-0027;169-0028;179-0852;
180-6639 HITCH AR-3 POINT

0894174A
PR: t05b22n43d0421

972

MT800B SERIES TRACTORS
DRAWBAR, THREE POINT HITCH AND PTO

LINES GP-CYLINDER - 180-0503
POWERED DRAWBAR



1800503F

MT800B SERIES TRACTORS
DRAWBAR, THREE POINT HITCH AND PTO

973

LINES GP-CYLINDER - 180-0503
POWERED DRAWBAR

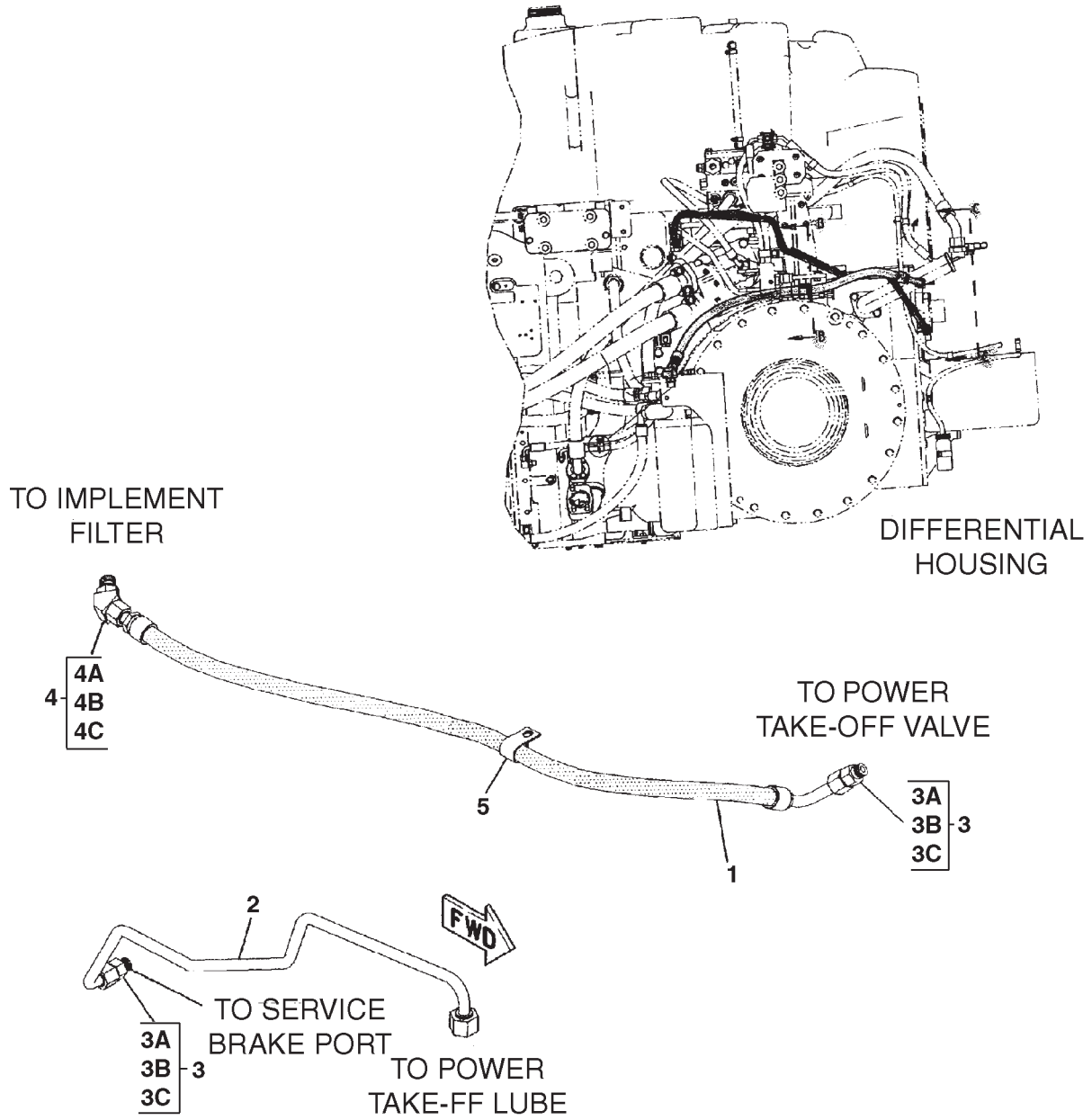
| ITEM | NUMBER | QTY | DESCRIPTION |
|------|------------|-----|--------------------------------------|
| - | 180-0503 | - | LINES GP-CYLINDER [A] (NOT SERVICED) |
| 1 | 400039X1 | 2 | BOLT (M10X1.5X25MM) |
| 2 | 209-6244 | 1 | BRACKET ASM |
| 3 | CH122-1162 | 1 | CLAMP |
| 4 | CH6D-1641 | 2 | CLIP-LOOP (24IDX2) |
| 5 | CH4L-3641 | 1 | CLIP (25.4ID) |
| 6 | CH5D-4204 | 3 | CLIP (28.58ID) |
| 7 | CH164-5557 | 1 | CONNECTOR AS-8ORFSX10STOR |
| | CH6V-8398 | 1 | SEAL-O-RING (16.03ODX1.78DIA) |
| | 400319X1 | 1 | SEAL-O-RING (19.18IDX2.46DIA) |
| 8 | CH148-8364 | 1 | ELBOW AS-90DEG -8STOR -8ORFS |
| | CH3K-0360 | 1 | SEAL-O-RING (16.36 ID X 2.21 DIA) |
| | CH6V-8398 | 1 | SEAL-O-RING (16.03 OD X 1.78 DIA) |
| 9 | CH148-8372 | 1 | ELBOW AS-90DEG 10STOR-8ORFS |
| | 400319X1 | 1 | SEAL-O-RING (19.18IDX2.46DIA) |
| | CH6V-8398 | 1 | SEAL-O-RING (16.03ODX1.78DIA) |
| 10 | 210-6063 | 1 | GUARD ASM |
| 11 | CH211-2723 | 1 | HOSE ASM |
| 12 | CH211-2724 | 1 | HOSE ASM |
| 13 | CH211-2725 | 1 | HOSE ASM |
| 14 | CH159-5898 | 2 | FITTING ASM |
| 15 | 7774664 | 2 | NUT (M10X1.5) |
| 16 | 209-9800 | 1 | PLATE ASM |
| 17 | CH6V-8398 | 2 | SEAL-O-RING |
| 18 | CH148-8428 | 2 | TEE AS (8ORFSX8ORFSX8STOR) |
| | CH3K-0360 | 1 | SEAL-O-RING (16.36IDX2.21DIA) |
| | CH6V-8398 | 2 | SEAL-O-RING (16.03ODX1.78DIA) |
| 19 | 210-1503 | 1 | TUBE ASM |
| 20 | 210-4464 | 1 | TUBE ASM |
| 21 | CH7X-7729 | 7 | WASHER (11X25X3) |
| 22 | 400287X1 | 2 | WASHER-HARD (11X21X2.5) |
| 23 | 400040X1 | 4 | BOLT (M10X1.5X20MM) |
| 24 | 400226X1 | 1 | BOLT (M10X1.5X50MM) |
| 25 | CH211-2722 | 1 | HOSE ASM |

[A] PART OF 184-5033 & 210-7489
CONTROL AR-DRAWBAR

1800503F
PR: t05b22n43d0422

MT800B SERIES TRACTORS
DRAWBAR, THREE POINT HITCH AND PTO

LINES GP-POWER TAKE-OFF - 189-2976



MT800B SERIES TRACTORS
DRAWBAR, THREE POINT HITCH AND PTO

975

LINES GP-POWER TAKE-OFF - 189-2976

| ITEM | NUMBER | QTY | DESCRIPTION |
|------|------------|-----|---------------------------------|
| - | 189-2976 | - | LINES GP-PTO [A] (NOT SERVICED) |
| 1 | 211-2885 | 1 | HOSE ASM (15.9ID SAE 100R1) |
| 2 | 219-8801 | 1 | TUBE ASM |
| 3 | CH148-8342 | 2 | CONNECTOR AS (20ORFSX20STOR) |
| 3A | CH3K-0360 | 1 | SEAL-O-RING (16.36IDX2.21DIA) |
| 3B | | 1 | CONNECTOR (ORDER ITEM 3) |
| 3C | 400322X1 | 1 | SEAL-O-RING (19.28IDX1.78DIA) |
| 4 | CH155-3504 | 1 | ELBOW AS-45DEG (10ORFSX10STOR) |
| 4A | 400319X1 | 1 | SEAL-O-RING (19.18IDX2.46DIA) |
| 4B | | 1 | ELBOW (ORDER ITEM 4) |
| 4C | 400322X1 | 1 | SEAL-O-RING (19.28IDX1.78DIA) |
| 5 | CH4S-1962 | 1 | CLIP-LOOP (25.4ID) |

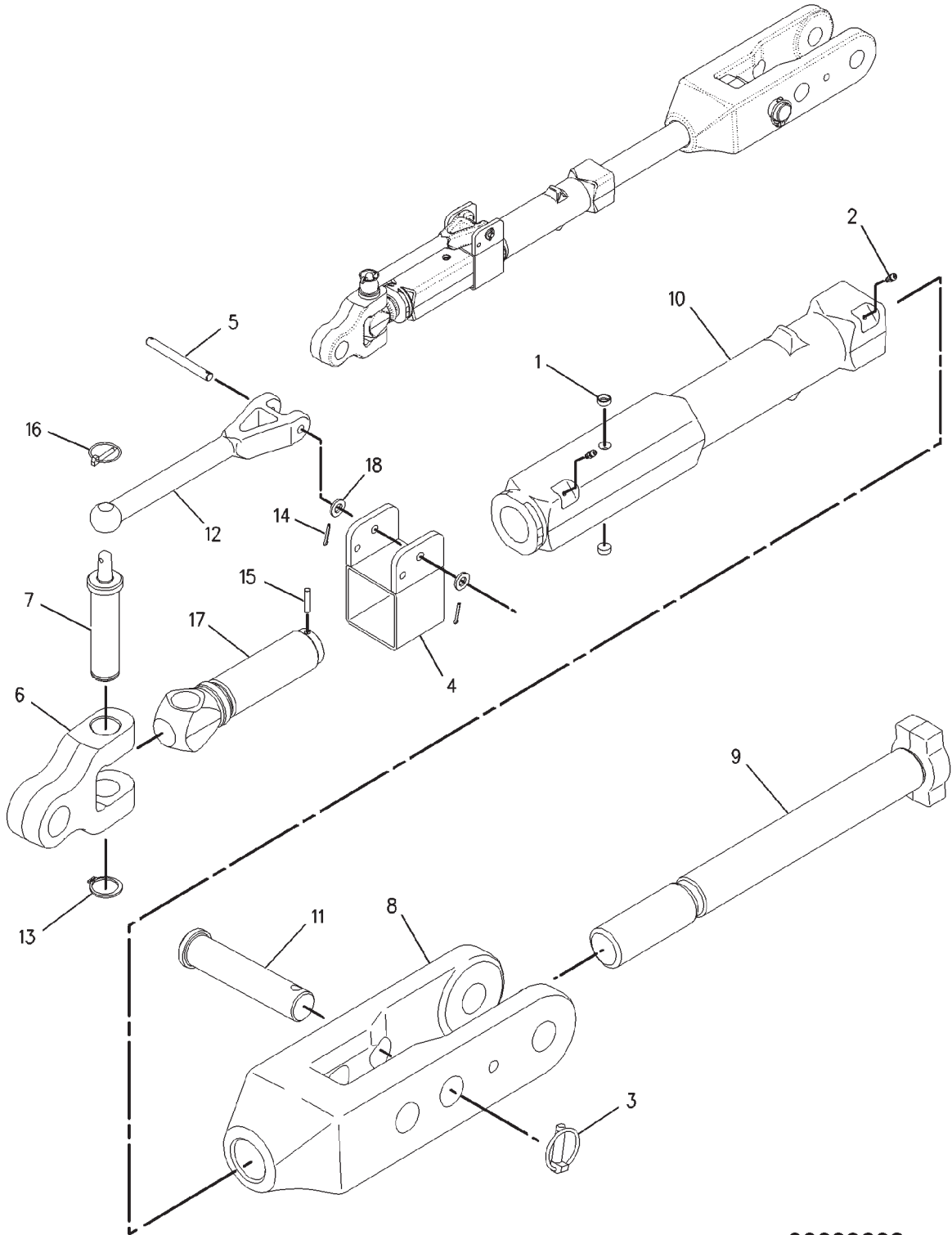
[A] PART OF 163-0400; 224-8603 KIT-PTO;
183-2197; 183-2198 GAUGE AR-TRACK

0888048A
PR: t05b22n43d0423

976

MT800B SERIES TRACTORS
DRAWBAR, THREE POINT HITCH AND PTO

LINK GP-LIFT
186-1090



00889683

MT800B SERIES TRACTORS
DRAWBAR, THREE POINT HITCH AND PTO

977

LINK GP-LIFT
186-1090

| ITEM | NUMBER | QTY | DESCRIPTION |
|------|------------|-----|-------------------------|
| - | 186-1090 | - | LINK GP-LIFT [A] |
| 1 | CH0T-0200 | 2 | PLUG-CUP |
| 2 | CH6V-1506 | 2 | FITTING-GREASE |
| 3 | CH119-1329 | 1 | PIN-LINCH |
| 4 | 184-5063 | 1 | FRAME ASM |
| 5 | CH186-1069 | 1 | PIN |
| 6 | 186-0983 | 1 | PIVOT |
| 7 | CH186-1081 | 1 | PIN |
| 8 | 186-1093 | 1 | CLEVIS |
| 9 | CH186-1094 | 1 | ROD-LIFT LINK |
| 10 | 186-1095 | 1 | TUBE |
| 11 | CH186-1096 | 1 | PIN |
| 12 | 189-3296 | 1 | HANDLE |
| 13 | 400290X1 | 1 | RING-RETAINING |
| 14 | CH095-0845 | 2 | PIN-COTTER |
| 15 | CH095-9230 | 1 | PIN-SPRING |
| 16 | CH5D-8159 | 1 | PIN ASM |
| 17 | 186-1020 | 1 | ROD END-LOWER |
| 18 | 400287X1 | 2 | WASHER-HARD (11X21X2.5) |

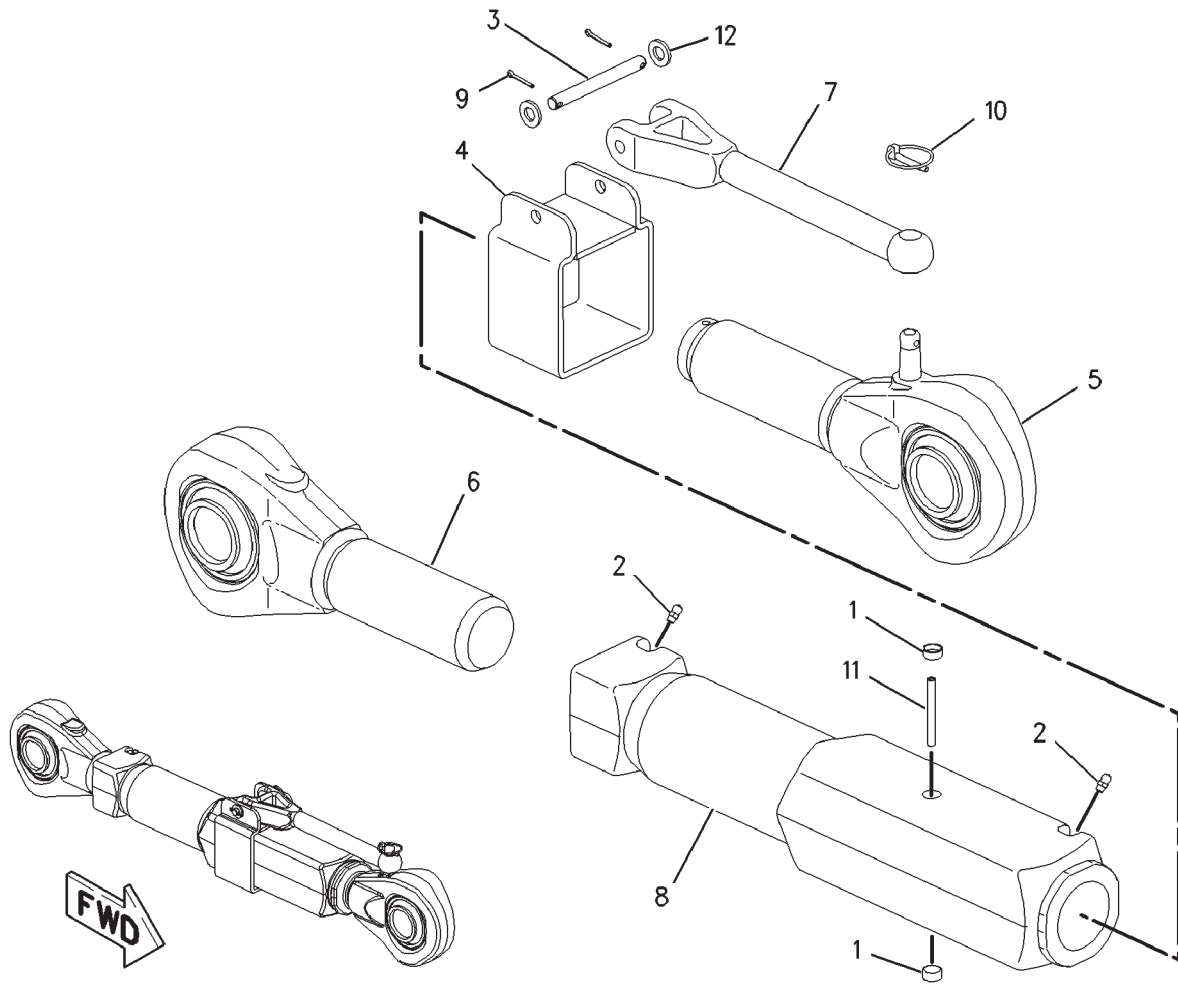
[A] PART OF 179-3317; 184-5065
HITCH GP-3 POINT

00889683
PR: t05b22n43d0424

978

MT800B SERIES TRACTORS
DRAWBAR, THREE POINT HITCH AND PTO

LINK GP-UPPER
186-1091



00898208

MT800B SERIES TRACTORS
DRAWBAR, THREE POINT HITCH AND PTO

979

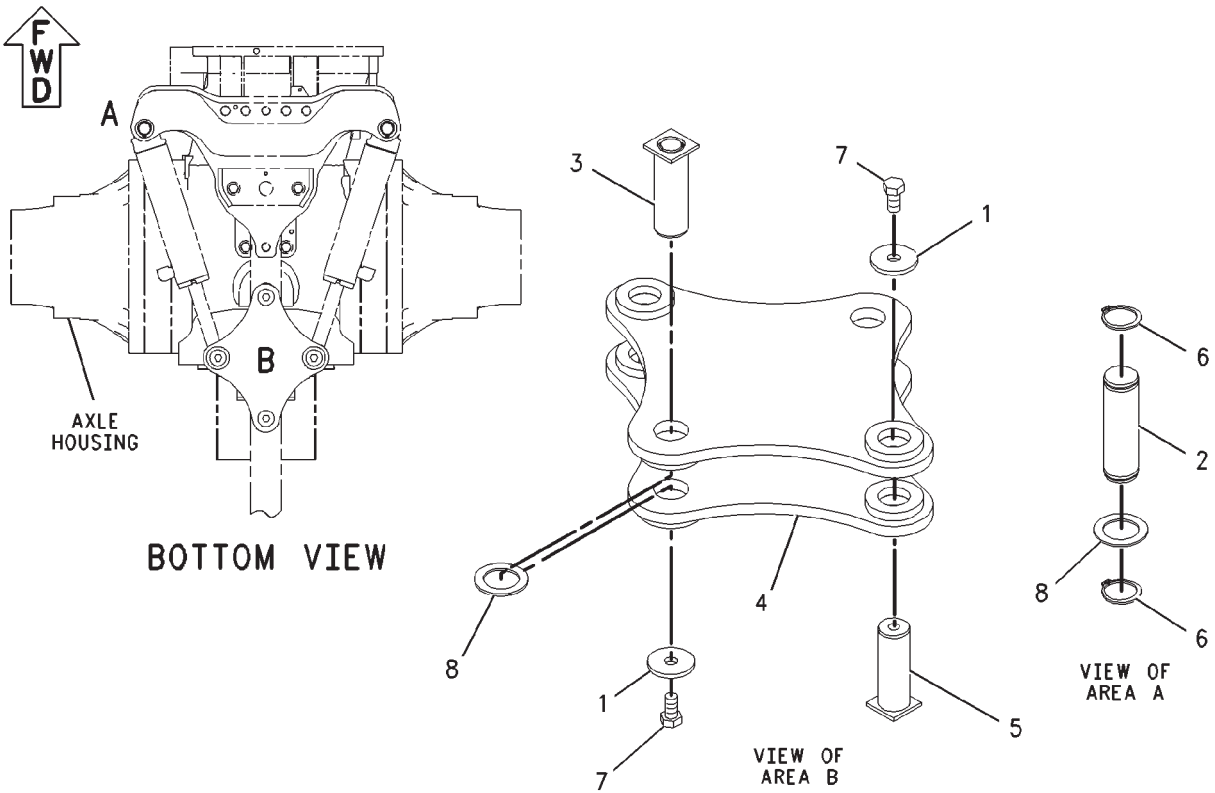
LINK GP-UPPER
186-1091

| ITEM | NUMBER | QTY | DESCRIPTION |
|------|------------|-----|-------------------------|
| - | 186-1091 | - | LINK GP-UPPER [A] |
| 1 | CH0T-0200 | 2 | PLUG-CUP |
| 2 | CH6V-1506 | 2 | FITTING-GREASE |
| 3 | CH186-1069 | 1 | PIN |
| 4 | CH189-3284 | 1 | FRAME ASM |
| 5 | CH210-7531 | 1 | ROD END ASM (LH) |
| 6 | CH210-7532 | 1 | ROD END ASM (RH) |
| 7 | 189-3296 | 1 | HANDLE |
| 8 | 210-7523 | 1 | TUBE |
| 9 | CH095-0845 | 2 | PIN-COTTER |
| 10 | CH5D-8159 | 1 | PIN ASM |
| 11 | CH6V-8130 | 1 | PIN-SPRING |
| 12 | 400287X1 | 2 | WASHER-HARD (11X21X2.5) |

[A] PART OF 179-3317; 184-5065
HITCH GP-3 POINT

00898208
PR: t05b22n43d0425

MOUNTING GP-CYLINDER - 184-5035
CONTROLLED DRAWBAR



MT800B SERIES TRACTORS
DRAWBAR, THREE POINT HITCH AND PTO

981

MOUNTING GP-CYLINDER - 184-5035
CONTROLLED DRAWBAR

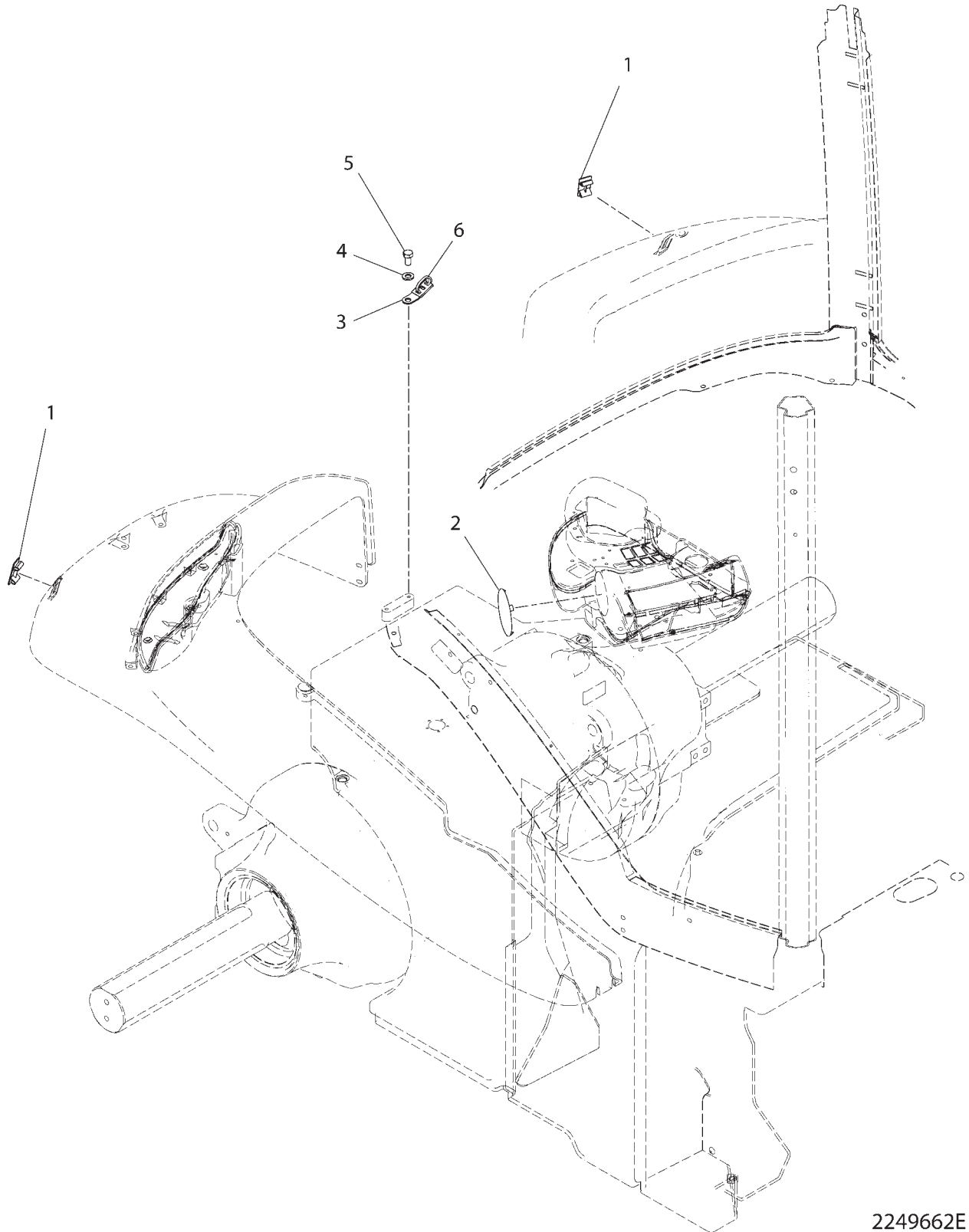
| ITEM | NUMBER | QTY | DESCRIPTION |
|------|------------|-----|---|
| - | 184-5035 | - | MOUNTING GP-CYLINDER [A] (NOT SERVICED) |
| 1 | CH7D-0734 | 4 | WASHER (.656X2.38X.250 IN THK) |
| 2 | CH190-2611 | 2 | PIN |
| 3 | CH190-2612 | 2 | PIN ASM |
| 4 | 190-2613 | 2 | PLATE ASM |
| 5 | 210-7491 | 2 | PIN ASM |
| 6 | CH201-8106 | 4 | RING-RETAINING |
| 7 | 400088X1 | 4 | BOLT (M16X2X30MM) |
| 8 | CH9R-0158 | 4 | WASHER (46X69X3) |

[A] PART OF 184-5033 & 210-7489
CONTROL AR-DRAWBAR

00888167
PR: t05b22n43d0426

MT800B SERIES TRACTORS
DRAWBAR, THREE POINT HITCH AND PTO

PLUG GP-3 PT-HITCH - 224-9662
DRAWBAR HITCH APPLICATIONS



MT800B SERIES TRACTORS
DRAWBAR, THREE POINT HITCH AND PTO

983

PLUG GP-3 PT-HITCH - 224-9662
DRAWBAR HITCH APPLICATIONS

| ITEM | NUMBER | QTY | DESCRIPTION |
|------|------------|-----|-----------------------------|
| - | 224-9662 | - | PLUG GP-3 PT HITCH [A] |
| 1 | CH109-2356 | 2 | PLUG |
| 2 | CH214-1071 | 1 | PLUG |
| 3 | CH4P-7581 | 1 | CLIP |
| 4 | 400287X1 | 1 | WASHER-HARD (11IDX21ODX2.5) |
| 5 | 400040X1 | 1 | BOLT (M10X1.5X20) |
| 6 | CH7K-1181 | 1 | STRAP-CABLE |

[A] PART OF:
179-0851 HITCH AR
179-0853 HITCH AR-NON AG
184-5033 CONTROL AR-DRAWBAR

2249662E
PR: t05b22n43d0427

984

MT800B SERIES TRACTORS
DRAWBAR, THREE POINT HITCH AND PTO

POWER TAKE-OFF (KIT) - 163-0400
ROW & SPECIAL APPLICATIONS

NO ILLUSTRATION

NOTIF

MT800B SERIES TRACTORS
DRAWBAR, THREE POINT HITCH AND PTO

985

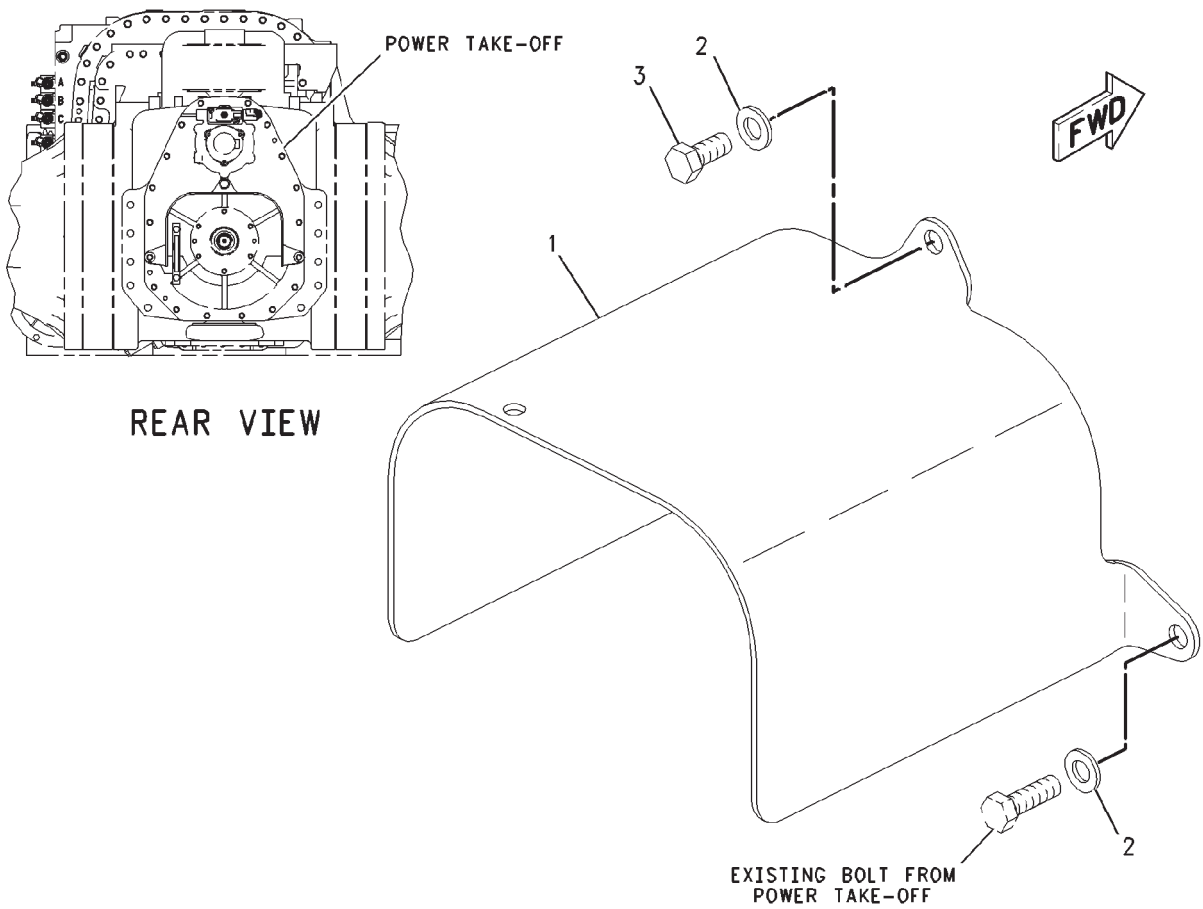
POWER TAKE-OFF (KIT) - 163-0400
ROW & SPECIAL APPLICATIONS

| ITEM | NUMBER | QTY | DESCRIPTION |
|------|------------|-----|--|
| - | 163-0400 | - | KIT-PTO |
| 1 | 152-0446 | 1 | CONTROL GP-PTO (NOT SERVICED) (SEE BREAKDOWN FOR COMPONENTS) |
| 2 | 183-4470 | 1 | GUARD GP-PTO (NOT SERVICED) (SEE BREAKDOWN FOR COMPONENTS) |
| 3 | CH187-4930 | 1 | POWER TAKE-OFF GP (NOT SERVICED) (SEE BREAKDOWN FOR COMPONENTS) |
| 4 | 189-2976 | 1 | LINES GP-PTO (NOT SERVICED) (SEE BREAKDOWN FOR COMPONENTS) |

NOTIF
PR: t05b22n43d0428

MT800B SERIES TRACTORS
DRAWBAR, THREE POINT HITCH AND PTO

GUARD GP-POWER TAKE-OFF - 183-4470
EAME ONLY



MT800B SERIES TRACTORS
DRAWBAR, THREE POINT HITCH AND PTO

987

GUARD GP-POWER TAKE-OFF - 183-4470
EAME ONLY

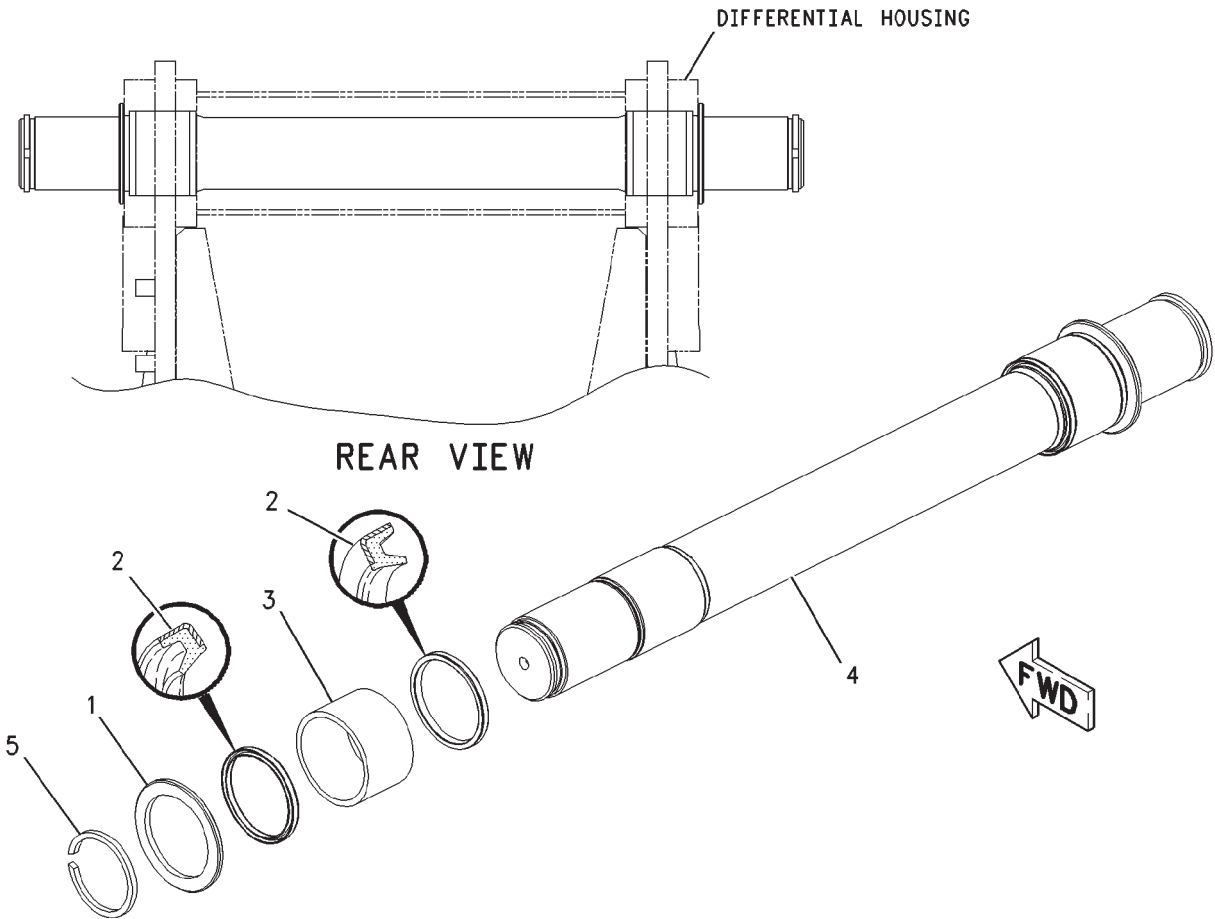
| ITEM | NUMBER | QTY | DESCRIPTION |
|------|-----------|-----|-------------------------------|
| - | 183-4470 | - | GUARD GP-PTO (NOT SERVICED) |
| 1 | 502050D1 | 1 | PLATE |
| 2 | CH8T-4122 | 3 | WASHER-HARD (17X32X3.5MM THK) |
| 3 | AG518357 | 1 | BOLT (M16X2X35MM) |

PART OF 183-2197 GAUGE AR-TRACK

00828240
PR: t05b22n43d0431

MT800B SERIES TRACTORS
DRAWBAR, THREE POINT HITCH AND PTO

ROCKSHAFT GP - 186-1063



MT800B SERIES TRACTORS
DRAWBAR, THREE POINT HITCH AND PTO

989

ROCKSHAFT GP - 186-1063

| ITEM | NUMBER | QTY | DESCRIPTION |
|------|------------|-----|---------------------------------|
| - | 186-1063 | - | ROCKSHAFT GP [A] (NOT SERVICED) |
| 1 | CH6K-9070 | 2 | WASHER-THRUST |
| 2 | CH7K-9211 | 4 | SEAL-LIP |
| 3 | CH170-2320 | 2 | BEARING |
| 4 | 186-1064 | 1 | SHAFT-SPLINED |
| 5 | 400097X1 | 2 | RING-RETAINING |

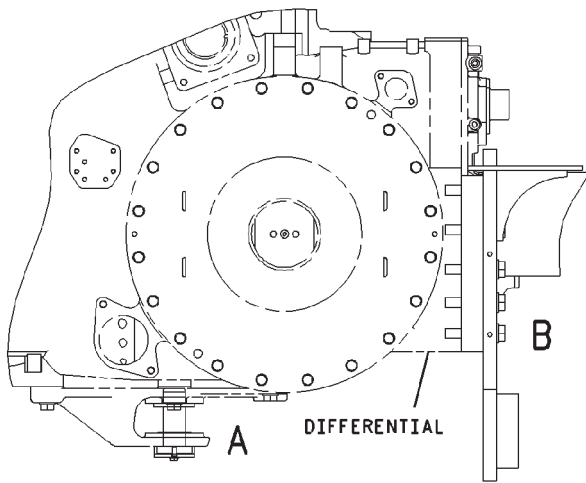
[A] PART OF 179-3317; 184-5065
HITCH GP-3 POINT

00851422
PR: t05b22n43d0432

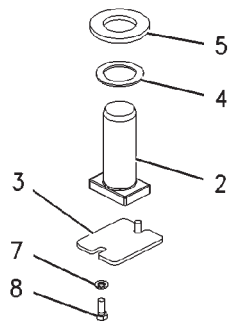
990

MT800B SERIES TRACTORS
DRAWBAR, THREE POINT HITCH AND PTO

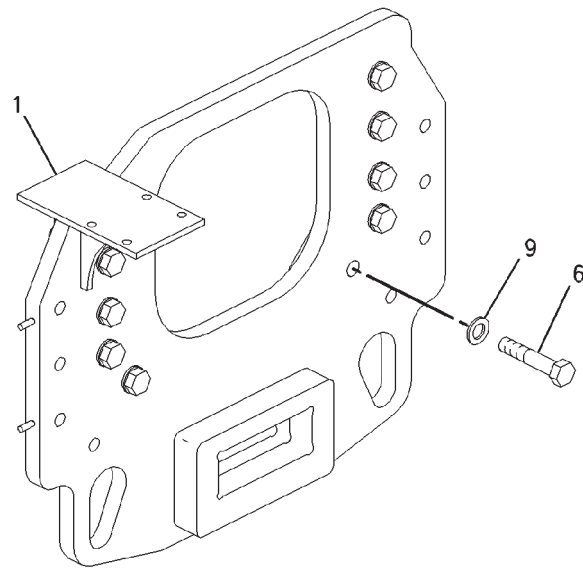
SUPPORT GP-DRAWBAR - 180-4038
SCRAPER HITCH



LEFT SIDE VIEW



VIEW OF AREA A



VIEW OF AREA B

00851221

MT800B SERIES TRACTORS
DRAWBAR, THREE POINT HITCH AND PTO

991

SUPPORT GP-DRAWBAR - 180-4038
SCRAPER HITCH

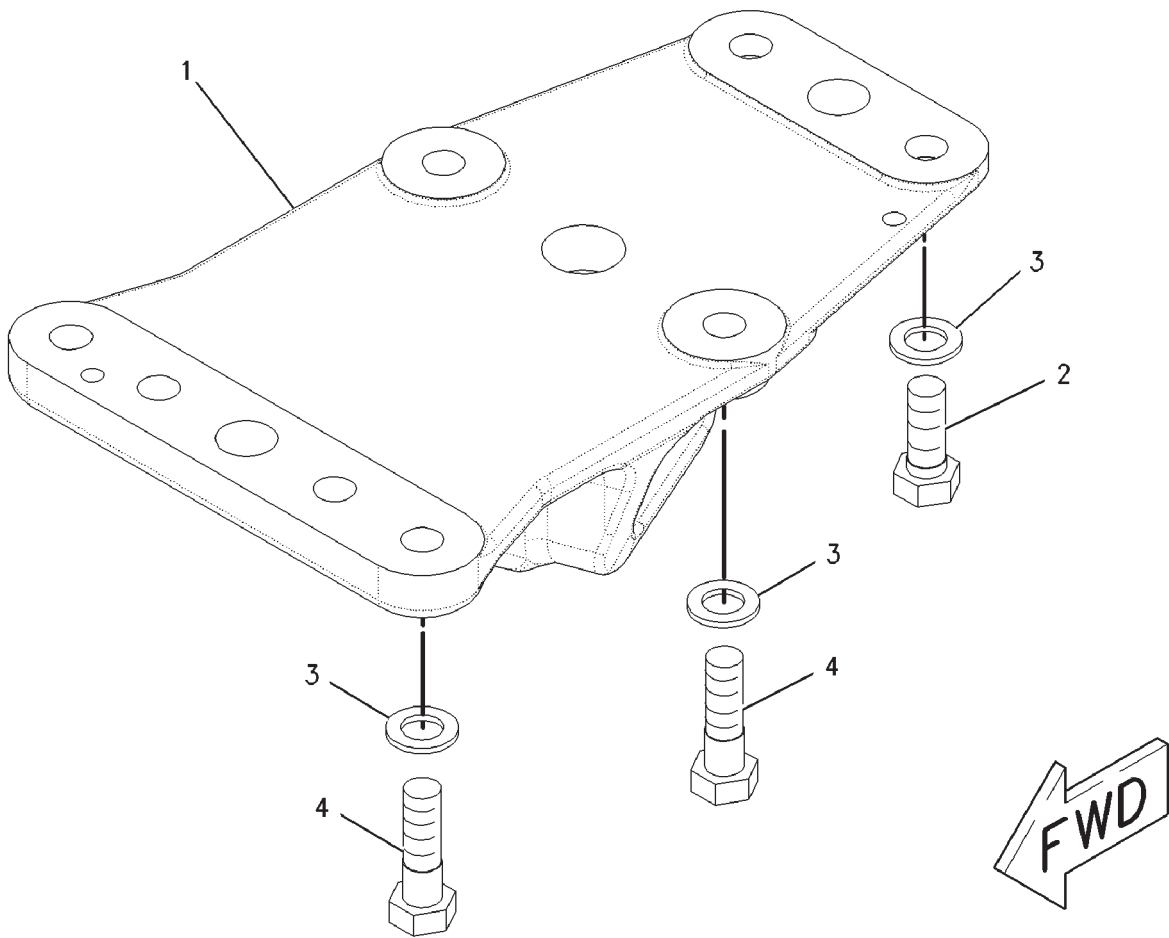
| ITEM | NUMBER | QTY | DESCRIPTION |
|------|------------|-----|-------------------------|
| - | 180-4038 | - | SUPPORT GP-DRAWBAR [A] |
| 1 | 189-3325 | 1 | PLATE ASM |
| 2 | CH200-8751 | 1 | PIN-DRAWBAR |
| 3 | 501948D1 | 1 | RETAINER |
| 4 | 400288X1 | 1 | WASHER-HARD (51X74X3) |
| 5 | CH7Y-0725 | 1 | WASHER-HARD (52X92X8) |
| 6 | 400213X1 | 10 | BOLT (M24X3X120MM) |
| 7 | 400287X1 | 2 | WASHER-HARD (11X21X2.5) |
| 8 | 400039X1 | 2 | BOLT (M10X1.5X25MM) |
| 9 | 400081X1 | 10 | WASHER-HARD (26X44X4) |

[A] PART OF 179-0853 HITCH AR-NON AG

00851221
PR: t05b22n43d0433

MT800B SERIES TRACTORS
DRAWBAR, THREE POINT HITCH AND PTO

SUPPORT GP-DRAWBAR - 210-7508
ROW AND SPECIAL APPLICATIONS



MT800B SERIES TRACTORS
DRAWBAR, THREE POINT HITCH AND PTO

993

SUPPORT GP-DRAWBAR - 210-7508
ROW AND SPECIAL APPLICATIONS

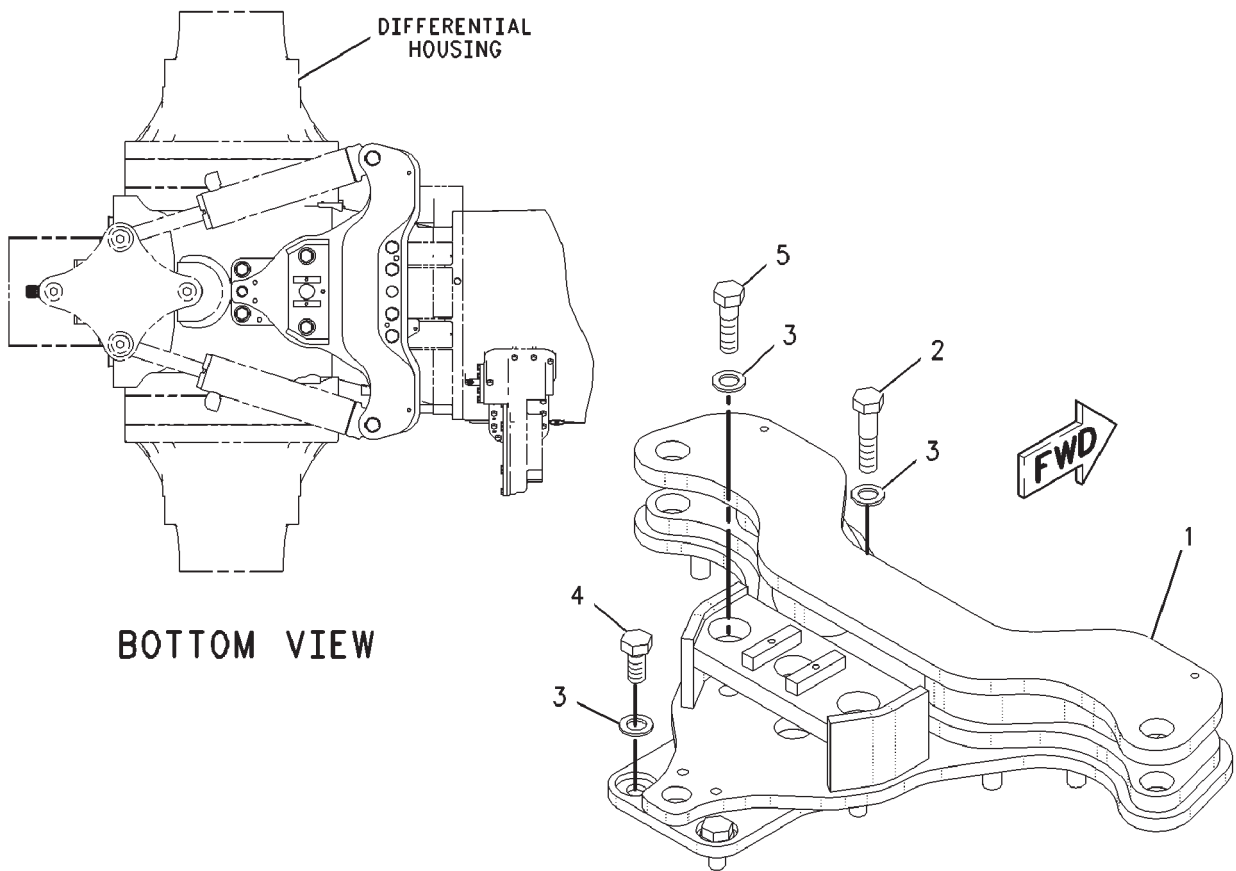
| ITEM | NUMBER | QTY | DESCRIPTION |
|------|----------|-----|------------------------|
| - | 210-7508 | - | SUPPORT GP-DRAWBAR [A] |
| 1 | 210-7506 | 1 | SUPPORT |
| 2 | 400035X1 | 2 | BOLT (M24X3X60MM) |
| 3 | 400081X1 | 8 | WASHER-HARD (26X44X4) |
| 4 | 400067X1 | 6 | BOLT (M24X3X80MM) |

[A] PART OF 179-0853 HITCH AR-NON AG

00897590
PR: t05b22n43d0434

MT800B SERIES TRACTORS
DRAWBAR, THREE POINT HITCH AND PTO

SUPPORT GP-DRAWBAR - CONTROLLED
210-7509



MT800B SERIES TRACTORS
DRAWBAR, THREE POINT HITCH AND PTO

995

SUPPORT GP-DRAWBAR - CONTROLLED
210-7509

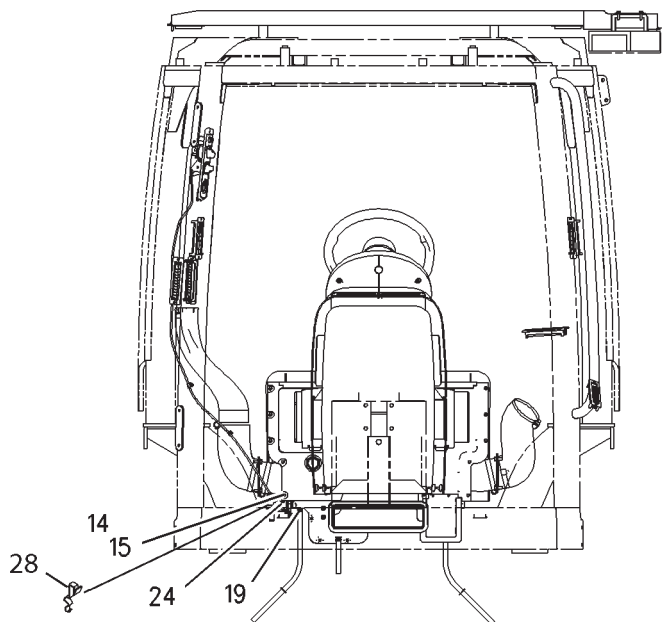
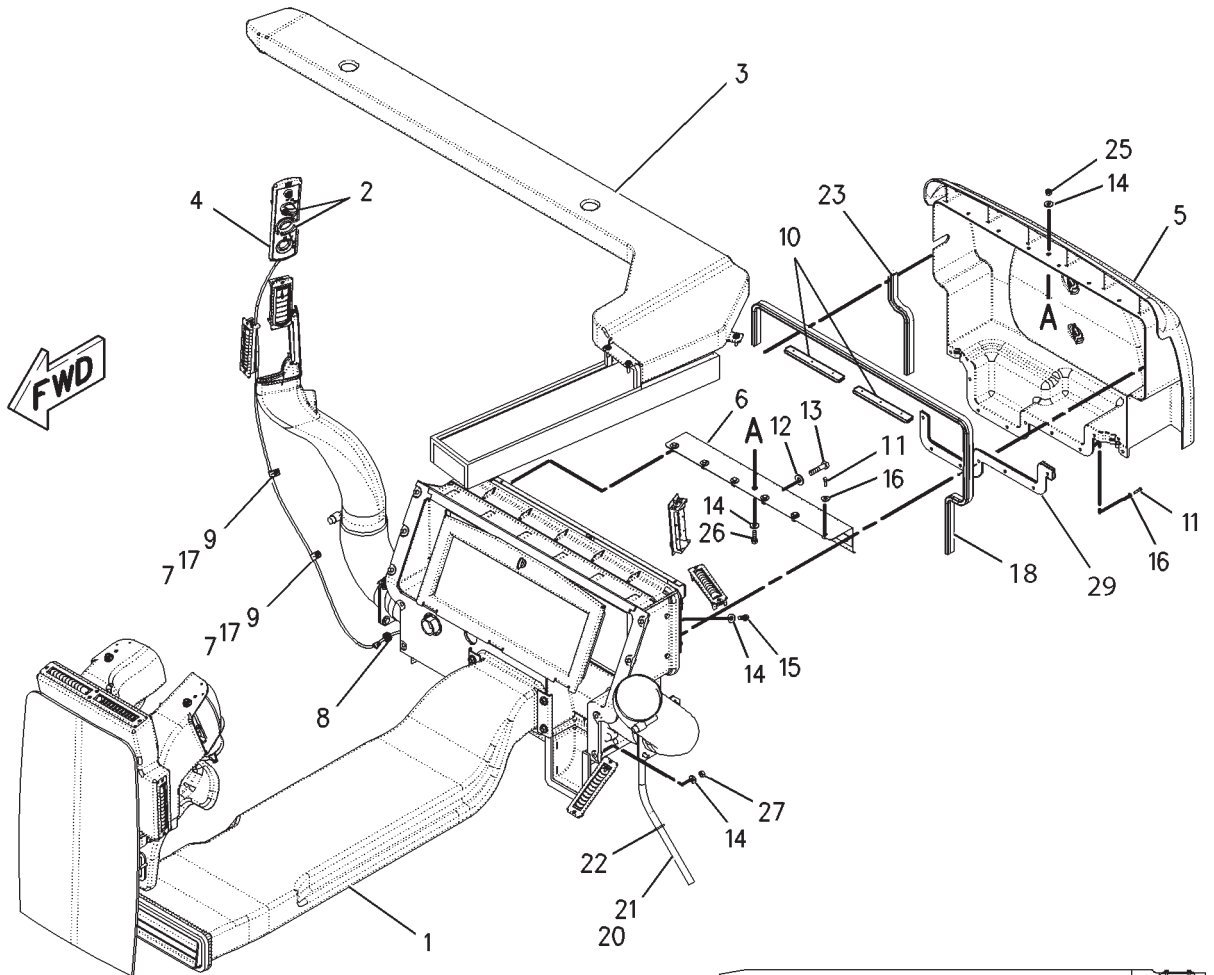
| ITEM | NUMBER | QTY | DESCRIPTION |
|------|----------|-----|---------------------------------------|
| - | 210-7509 | - | SUPPORT GP-DRAWBAR [A] (NOT SERVICED) |
| 1 | 210-7503 | 1 | PLATE ASM |
| 2 | 400184X1 | 4 | BOLT (M24X3X100MM) |
| 3 | 400081X1 | 8 | WASHER-HARD (26X44X4) |
| 4 | 400232X1 | 2 | BOLT (M24X3X50MM) |
| 5 | 400067X1 | 2 | BOLT (M24X3X80MM) |

[A] PART OF 184-5033 & 210-7489
CONTROL AR-DRAWBAR

00893786
PR: t05b22n43d0435

MT800B SERIES TRACTORS
OPERATOR STATION

AIR CONDITIONER & MOUNTING GP - BASIC
502502D1



FRONT VIEW

**MT800B SERIES TRACTORS
OPERATOR STATION**

997

**AIR CONDITIONER & MOUNTING GP - BASIC
502502D1**

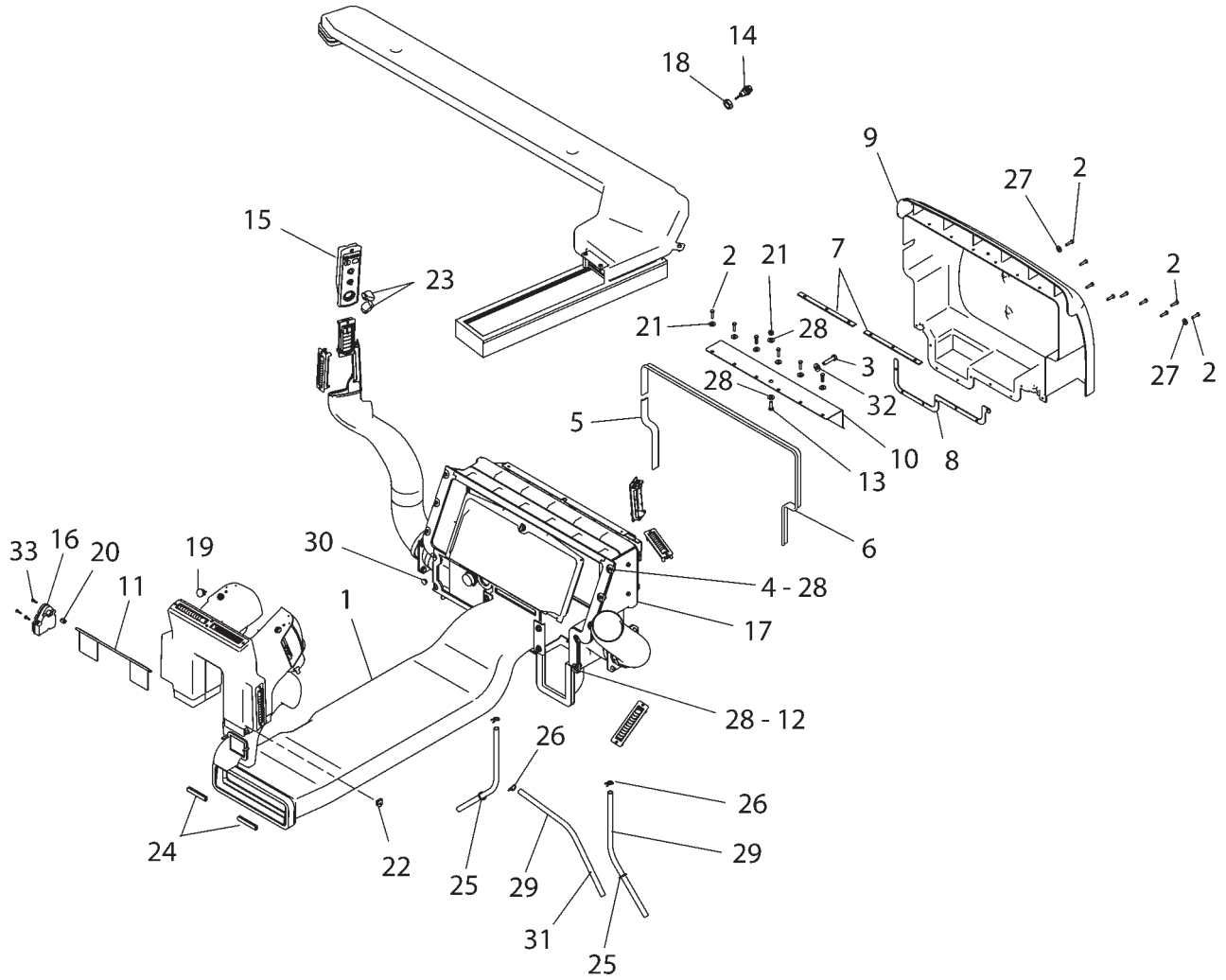
| ITEM | NUMBER | QTY | DESCRIPTION |
|------|------------|-----|---|
| - | 502502D1 | - | AIR CONDITIONER & MTG GP (NOT SERVICED) |
| 1 | 502500D1 | 1 | AIR CONDITIONER GP (NOT SERVICED) (SEE BREAKDOWN FOR COMPONENTS) |
| 2 | CH216-2628 | 2 | KNOB AS (CONTROL) |
| 3 | 166-4556 | 1 | DUCT GP-CAB AIR (NOT SERVICED) (SEE BREAKDOWN FOR COMPONENTS) |
| 4 | 166-4586 | 1 | CONTROL GP-AIR & TEMPERATURE (SEE BREAKDOWN FOR COMPONENTS) |
| 5 | 166-4603 | 1 | COVER |
| 6 | 174-5770 | 1 | BRACKET AS |
| 7 | CH195-7925 | 3 | CLIP |
| 8 | 400948X1 | 1 | GROMMET |
| 9 | 400018X1 | 3 | BOLT (M6X1.0X10MM) |
| 10 | 501147D1 | 2 | STRIP |
| 11 | 400022X1 | 15 | BOLT (M6X1.0X25MM) |
| 12 | CH7X-7729 | 1 | WASHER (11X25X3MM THK) |
| 13 | 400049X1 | 1 | BOLT (M10X1.5X45MM) |
| 14 | 400599X1 | 12 | WASHER-HARD (8.8X20.5X2MM THK) |
| 15 | 400053X1 | 6 | BOLT (M8X1.25X20MM) |
| 16 | CH5P-4115 | 8 | WASHER-HARD (7.2X19X2MM THK) |
| 17 | CH9X-8267 | 3 | WASHER (6.6X12X2MM THK) |
| 18 | 501145D1 | 1 | SEAL-FOAM |
| 19 | CH3S-5096 | 3 | CLAMP |
| 20 | CH7T-9793 | 3 | VALVE (CHECK) |
| 21 | CH5P-4829 | AR | TUBE (44.1 DM) |
| 22 | 400837X1 | 2 | STRAP-CABLE |
| 23 | 501144D1 | 1 | SEAL-FOAM |
| 24 | CH8Y-5737 | 1 | CLIP |
| 25 | CH131-3540 | 1 | LOCKNUT |
| 26 | 400341X1 | 1 | BOLT (M8X1.25X25MM) |
| 27 | 400340X1 | 4 | NUT (M8X1.25 THD) |
| 28 | 500473D1 | 1 | CLIP |
| 29 | 502517D1 | 1 | PLATE |

PART OF 152-0009; 152-0013;
500764D1; 500842D1; 500844D1;
500847D1; 502660D1; 502662D1 CAB AR

502502DE
PR: t05b22n43d0436

MT800B SERIES TRACTORS
OPERATOR STATION

AIR CONDITIONER & MOUNTING GP - DELUXE
502501D1



**MT800B SERIES TRACTORS
OPERATOR STATION**

999

**AIR CONDITIONER & MOUNTING GP - DELUXE
502501D1**

| ITEM | NUMBER | QTY | DESCRIPTION |
|------|------------|-----|---|
| - | 502501D1 | - | AIR CONDITIONER & MOUNTING GP [A] (NOT SERVICED) |
| 1 | 166-4556 | 1 | DUCT GP-CAB AIR (NOT SERVICED) (SEE BREAKDOWN FOR COMPONENTS) |
| 2 | 400022X1 | 15 | BOLT (M6X1.0X25MM) |
| 3 | 400049X1 | 1 | BOLT (M10X1.5X45MM) |
| 4 | 400053X1 | 6 | BOLT (M8X1.25X20MM) |
| 5 | 501144D1 | 1 | SEAL-FOAM |
| 6 | 501145D1 | 1 | SEAL-FOAM |
| 7 | 501147D1 | 2 | STRIP |
| 8 | 502517D1 | 1 | PLATE |
| 9 | 166-4603 | 1 | COVER |
| 10 | 174-5770 | 1 | BRACKET AS |
| 11 | 198-4070 | 1 | DOOR AS |
| 12 | 400340X1 | 4 | NUT (M8X1.25) |
| 13 | 400341X1 | 1 | BOLT (M8X1.25X25MM) |
| 14 | 501697D1 | 1 | SENSOR |
| 15 | 501740D1 | 1 | CONTROL GP-AIR & TEMPERATURE |
| 16 | 501745D1 | 1 | ACTUATOR |
| 17 | 502499D1 | 1 | AIR CONDITIONER GP (NOT SERVICED) (SEE BREAKDOWN FOR COMPONENTS) |
| 18 | CH107-5591 | 1 | LOCKNUT (3/4-16) |
| 19 | CH128-2162 | 1 | SENSOR GP-LIGHT (SUN LOAD) |
| 20 | CH131-3093 | 1 | BUSHING |
| 21 | CH131-3540 | 1 | LOCKNUT (M8X1.25) |
| 22 | CH192-4765 | 1 | BUSHING |
| 23 | CH216-2628 | 2 | KNOB AS-CONTROL |
| 24 | CH3E-6600 | AR | SEAL (BULK) (16CM) |
| 25 | 400837X1 | 2 | STRAP-CABLE |
| 26 | CH3S-5096 | 3 | CLAMP |
| 27 | CH5P-4115 | 8 | WASHER-HARD (7.2X19X2) |
| 28 | 400599X1 | 12 | WASHER-HARD (8.8X20.5X2) |
| 29 | CH5P-6129 | AR | TUBE (BULK) (44.1DM) |
| 30 | CH6K-6361 | 1 | BUTTON-PLUG |
| 31 | CH7T-9793 | 3 | VALVE (CHECK) |
| 32 | CH7X-7729 | 1 | WASHER (11X25X3) |
| 33 | CH9X-1046 | 3 | SCREW (M4X0.7X18MM) |

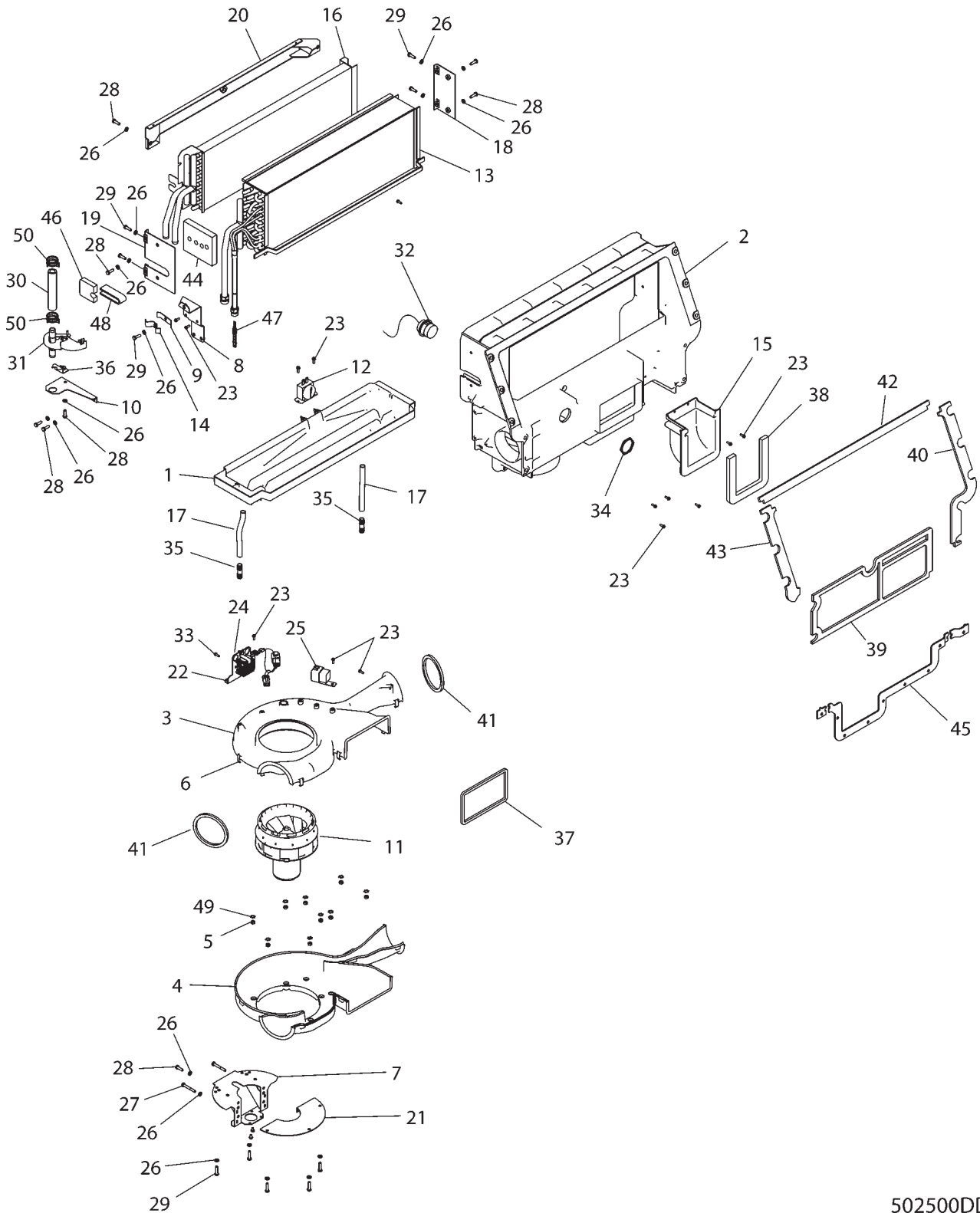
[A] PART OF:
152-0008; 152-0012; 222-4146;
500763D1; 500765D1; 500767D1;
500841D1; 500843D1; 500849D1;
502659D1; 502667D1 CAB AR

502501DD
PR: t05b22n43d0437

1000

MT800B SERIES TRACTORS
OPERATOR STATION

CONDITIONER GP-AIR - BASIC
502500D1



502500DD

**MT800B SERIES TRACTORS
OPERATOR STATION**

1001

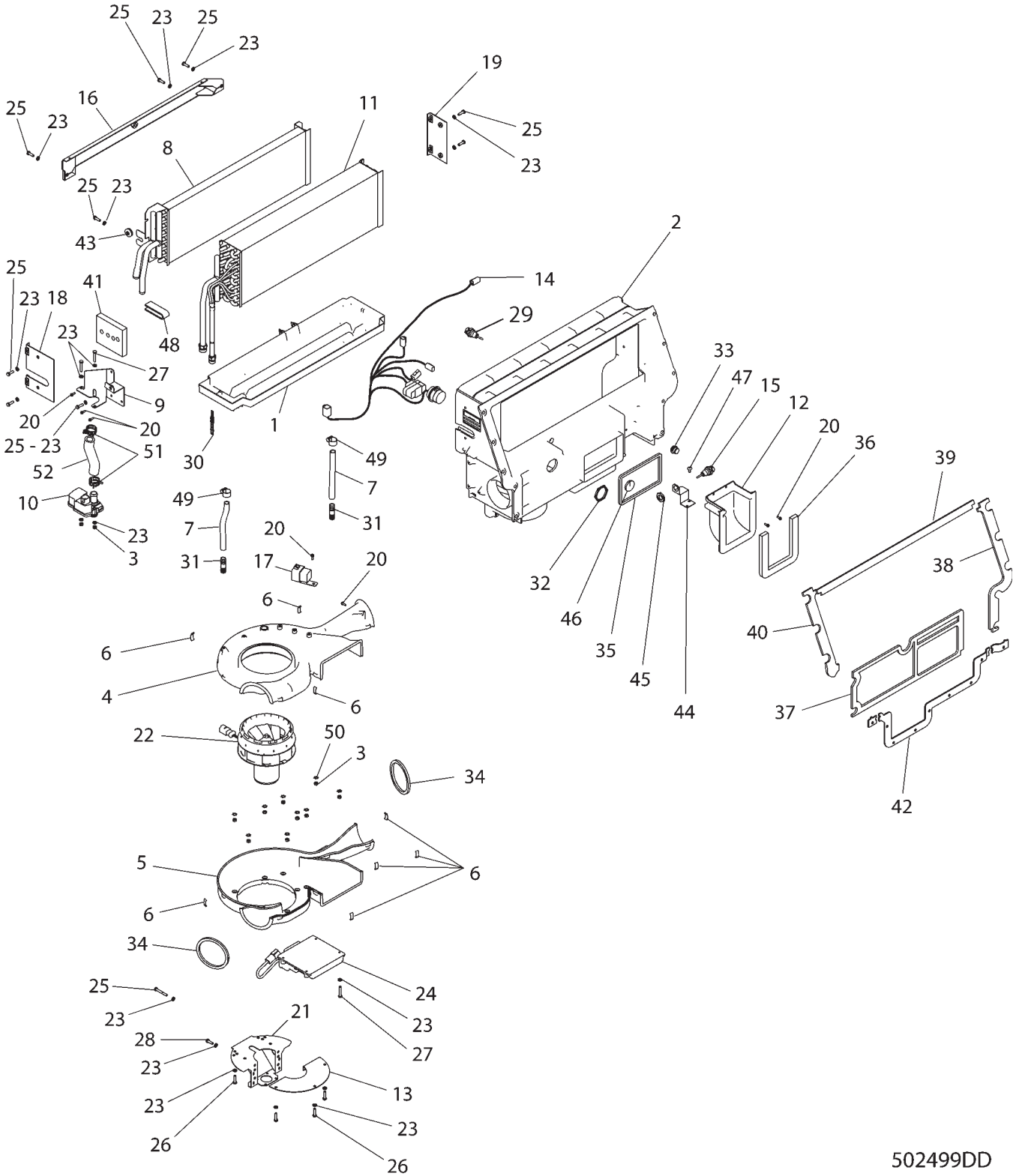
**CONDITIONER GP-AIR - BASIC
502500D1**

| ITEM | NUMBER | QTY | DESCRIPTION |
|------|----------|-----|------------------------------|
| - | 502500D1 | - | CONDITIONER GP-AIR [A] |
| 1 | 501705D1 | 1 | PAN-DRAIN |
| 2 | 501701D2 | 1 | CASE AS |
| 3 | 501703D1 | 1 | HOUSING-BLOWER |
| 4 | 501704D1 | 1 | HOUSING-BLOWER |
| 5 | 400300X1 | 9 | NUT M6X1 |
| 6 | 400296X1 | 10 | CLIP |
| 7 | 501730D1 | 1 | BRACKET AS. |
| 8 | 501729D1 | 1 | BRACKET AS. |
| 9 | 501733D1 | 1 | BRACKET |
| 10 | 501735D1 | 1 | ANGLE |
| 11 | 501702D1 | 1 | FAN AS. |
| 12 | 400299X1 | 1 | SWITCH AS.-THERMOSTAT |
| 13 | 501709D1 | 1 | COIL AS.-EVAP |
| 14 | 501734D1 | 1 | BRACKET |
| 15 | 501706D1 | 1 | DUCT-FRESH AIR |
| 16 | 501727D1 | 1 | COIL AS.-HEATER |
| 17 | 400298X1 | AR | TUBE-BULK (4 DM) |
| 18 | 501716D1 | 1 | RETAINER |
| 19 | 501714D1 | 1 | RETAINER |
| 20 | 501713D1 | 1 | BRACKET AS. |
| 21 | 501731D1 | 1 | BRACKET AS. |
| 22 | 502267D1 | 1 | THERMISTOR KIT |
| 23 | 400305X1 | 22 | SCREW-SELF TAPPING |
| 24 | 501728D1 | 1 | RESISTOR |
| 25 | 400292X1 | 1 | RELAY AS. |
| 26 | 400310X1 | 23 | WASHER |
| 27 | 400307X1 | 4 | BOLT M6X1X45 |
| 28 | 400221X1 | 14 | BOLT-M6X1X20MM ZNDI HHD 10.9 |
| 29 | 400022X1 | 5 | BOLT-M6X1X25MM ZNDI HHD 10.9 |
| 30 | 400294X1 | AR | HOSE-BULK (13 CM) |
| 31 | 501710D1 | 1 | VALVE AS.-WATER |
| 32 | 501711D2 | 1 | HARNESS AS |
| 33 | 400302X1 | 2 | BOLT-HEX HEAD |
| 34 | 400306X1 | 1 | NUT-PANEL |
| 35 | 400309X1 | 2 | CONNECTOR |
| 36 | 501732D1 | 1 | BRACKET AS. |
| 37 | 501719D1 | 1 | GASKET |
| 38 | 501720D2 | 1 | GASKET |
| 39 | 501721D2 | 1 | GASKET |
| 40 | 501722D2 | 1 | GASKET |
| 41 | 501718D1 | 2 | GASKET |
| 42 | 501723D2 | 1 | GASKET |
| 43 | 501724D2 | 1 | GASKET |
| 44 | 501725D1 | 1 | GASKET |
| 45 | 501726D1 | 1 | GASKET |
| 46 | 501737D1 | 1 | GASKET |
| 47 | 400932X1 | 1 | ORIFICE AS.-A/C |
| 48 | 502528D1 | 1 | TAPE-REFRIGERANT |
| 49 | 400301X1 | 9 | WASHER-TOOTH |
| 50 | 400308X1 | 2 | CLAMP-HOSE |

[A] PART OF: 502502D1 A/C & MTG GP

502500DD
PR: t05b22n43d0438

CONDITIONER GP-AIR - DELUXE
502499D1



**MT800B SERIES TRACTORS
OPERATOR STATION**

1003

**CONDITIONER GP-AIR - DELUXE
502499D1**

| ITEM | NUMBER | QTY | DESCRIPTION |
|------|------------|-----|---------------------------------------|
| - | 502499D1 | - | CONDITIONER GP-AIR [A] (NOT SERVICED) |
| 1 | 501705D1 | 1 | PAN-DRAIN |
| 2 | 501701D2 | 1 | CASE AS |
| 3 | 400300X1 | 11 | NUT M6X1 |
| 4 | 501703D1 | 1 | HOUSING-BLOWER |
| 5 | 501704D1 | 1 | HOUSING-BLOWER |
| 6 | 400296X1 | 10 | CLIP |
| 7 | 400298X1 | 4 | TUBE-BULK |
| 8 | 501708D1 | 1 | COIL AS.-HEATER |
| 9 | 501712D1 | 1 | BRACKET AS. |
| 10 | 501700D1 | 1 | VALVE AS.-WATER |
| 11 | 501709D1 | 1 | COIL AS.-EVAP |
| 12 | 501706D1 | 1 | DUCT-FRESH AIR |
| 13 | 501731D1 | 1 | BRACKET AS. |
| 14 | 501707D2 | 1 | HARNESS AS |
| 15 | 501697D1 | 2 | SENSOR GP. |
| 16 | 501713D1 | 1 | BRACKET AS. |
| 17 | 400292X1 | 1 | RELAY AS. |
| 18 | 501714D1 | 1 | RETAINER |
| 19 | 501716D1 | 1 | RETAINER |
| 20 | 400305X1 | 7 | SCREW-SELF TAPPING |
| 21 | 501730D1 | 1 | BRACKET AS. |
| 22 | 501702D1 | 1 | FAN AS. |
| 23 | 400310X1 | 28 | WASHER |
| 24 | 501717D1 | 1 | CONTROL AS. |
| 25 | 400221X1 | 11 | BOLT-M6X1X20MM ZNDI HHD 10.9 |
| 26 | 400022X1 | 5 | BOLT-M6X1X25MM ZNDI HHD 10.9 |
| 27 | 400185X1 | 6 | BOLT-M6X1X35MM ZNDI HHD 10.9 |
| 28 | 400307X1 | 4 | BOLT M6X1 |
| 29 | 400293X1 | 1 | SENSOR AS. |
| 30 | 400932X1 | 1 | ORIFICE AS.-A/C |
| 31 | 400309X1 | 2 | CONNECTOR |
| 32 | 400295X1 | 1 | NUT-HEX |
| 33 | 400297X1 | 1 | PLUG |
| 34 | 501718D1 | 2 | GASKET |
| 35 | 501719D1 | 1 | GASKET |
| 36 | 501720D2 | 1 | GASKET |
| 37 | 501721D2 | 1 | GASKET |
| 38 | 501722D2 | 1 | GASKET |
| 39 | 501723D2 | 1 | GASKET |
| 40 | 501724D2 | 1 | GASKET |
| 41 | 501725D1 | 1 | GASKET |
| 42 | 501726D1 | 1 | GASKET |
| 43 | 501146D1 | 1 | GROMMET-WIRE |
| 44 | 502033D1 | 1 | BRACKET |
| 45 | 400780X1 | 1 | NUT-JAM #8 3/4-16 UNF 2B |
| 46 | 502036D1 | 1 | GASKET HVAC SENSOR PROBE |
| 47 | CH217-5909 | 2 | SCREW-1/4-15X12.7 PANTHD CTG |
| 48 | 502528D1 | 1 | TAPE-REFRIGERANT |
| 49 | 400109X1 | 2 | CLAMP-HOSE |
| 50 | 400301X1 | 9 | LOCKWASHER-TOOTH |
| 51 | 400308X1 | 2 | CLAMP-HOSE |
| 52 | 501738D1 | AR | HOSE-HEATER (3/4ID) (20CM) |

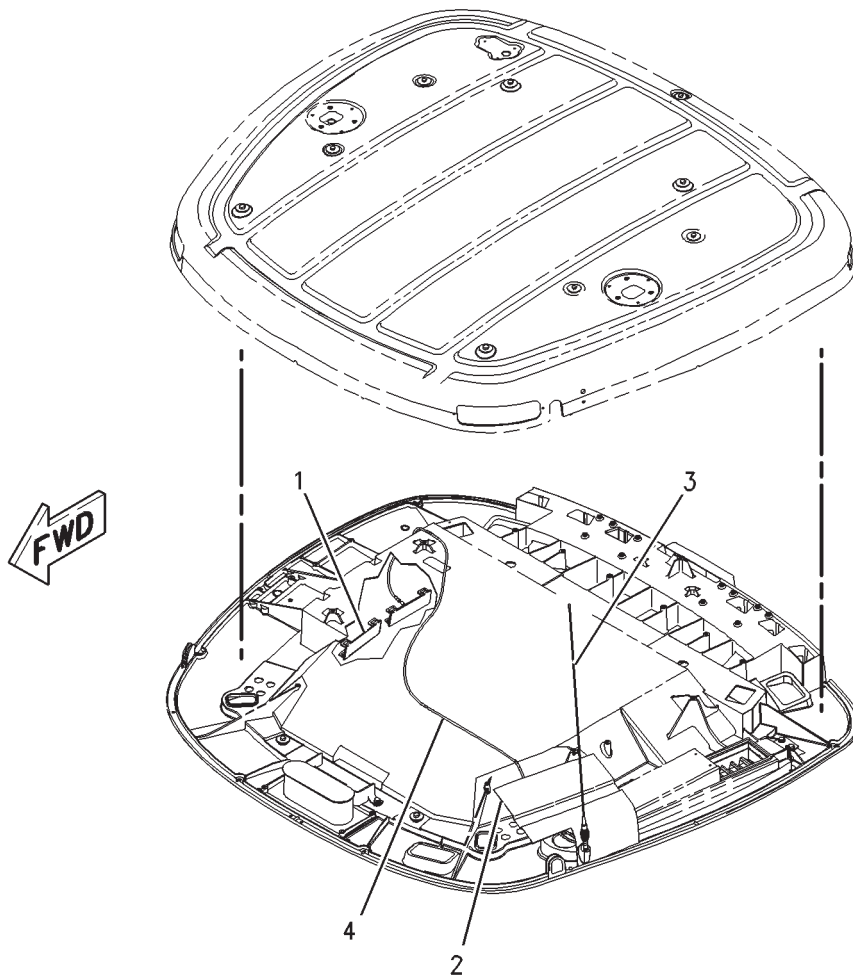
[A] PART OF 502501D1
CONDITIONER GP-MTG & AIR

502499DD
PR: t05b22n43d0439

1004

**MT800B SERIES TRACTORS
OPERATOR STATION**

ANTENNA GP-RADIO - 168-1951



00786383

**MT800B SERIES TRACTORS
OPERATOR STATION**

1005

ANTENNA GP-RADIO - 168-1951

| ITEM | NUMBER | QTY | DESCRIPTION |
|------|------------|-----|-------------------------------------|
| - | 168-1951 | - | ANTENNA GP-RADIO [A] (NOT SERVICED) |
| 1 | 400128X1 | 2 | COVER |
| 2 | 136-5330 | 1 | PLATE-GROUNDING |
| 3 | CH166-4615 | 1 | ANTENNA |
| 4 | 171-1576 | 1 | CABLE-ANTENNA |

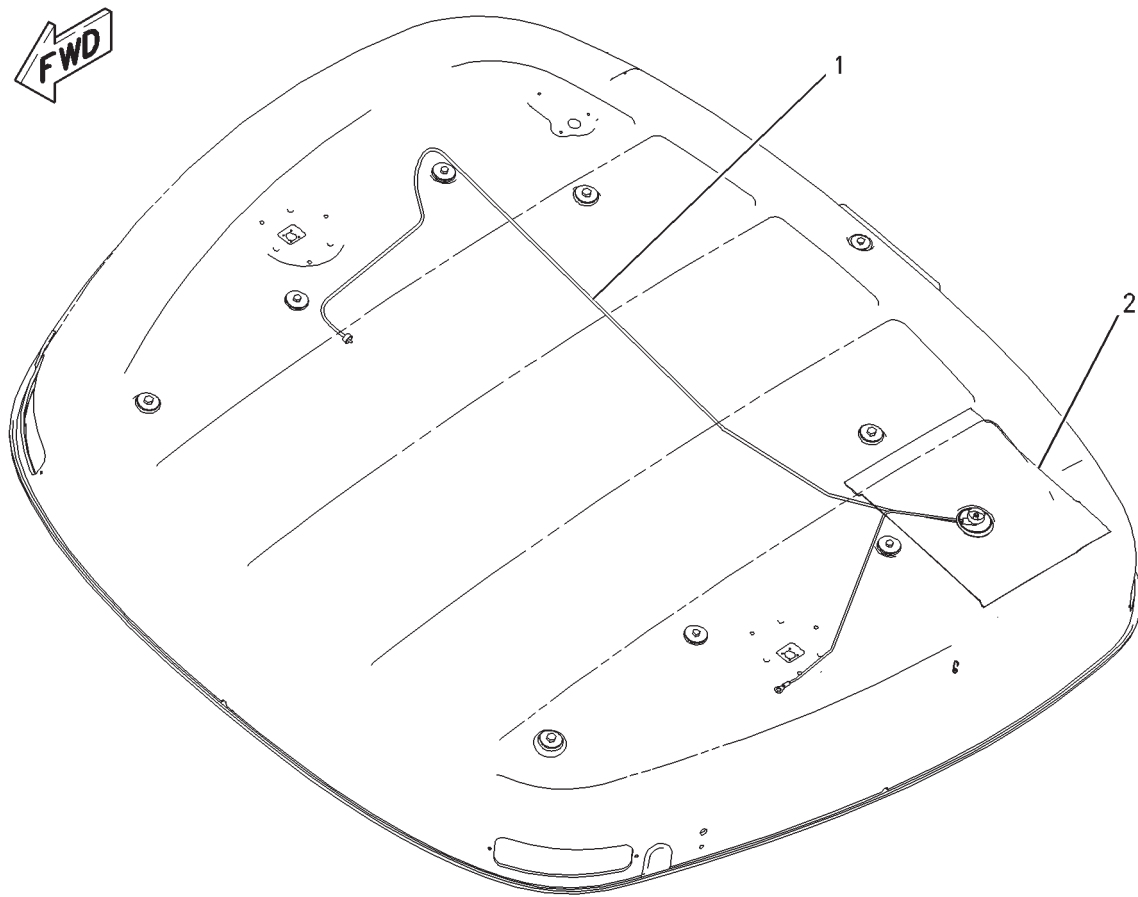
[A] PART OF 152-0008; 152-0009;
152-0012; 152-0013; 222-4146;
500763D1; 500764D1; 500765D1;
500767D1; 500841D1; 500842D1;
500843D1; 500844D1; 500849D1;
502659D1; 502660D1; 502662D1;
502667D1 CAB AR

00786383
PR: t05b22n43d0440

1006

**MT800B SERIES TRACTORS
OPERATOR STATION**

**ANTENNA GP-RADIO - 168-1951
BUSINESS BAND**



00835371

**MT800B SERIES TRACTORS
OPERATOR STATION**

1007

**ANTENNA GP-RADIO - 168-1951
BUSINESS BAND**

| ITEM | NUMBER | QTY | DESCRIPTION |
|------|----------|-----|-------------------------------------|
| - | 210-1570 | - | ANTENNA GP-RADIO [A] (NOT SERVICED) |
| 1 | 209-8430 | 1 | CABLE |
| 2 | 210-2654 | 1 | PLATE-GROUND |

[A] PART OF 152-0012; 222-4146;
500849D1 CAB AR

00835371
PR: t05b22n43d0441

1008

MT800B SERIES TRACTORS
OPERATOR STATION

CAB AR-BASIC - 500842D1
EAME ONLY

NO ILLUSTRATION

NOTIF

**MT800B SERIES TRACTORS
OPERATOR STATION**

1009

**CAB AR-BASIC - 500842D1
EAME ONLY**

| ITEM | NUMBER | QTY | DESCRIPTION |
|------|----------|-----|---|
| - | 500841D1 | - | CAB AR-DELUXE (SERVICED BY COMPONENTS) |
| 1 | 136-5477 | 1 | WIRING GP-ARMREST (NOT SERVICED) (SEE BREAKDOWN FOR COMPONENTS) |
| 2 | 152-0004 | 1 | CAB GP-BASIC (SEE BREAKDOWN FOR COMPONENTS) |
| 3 | 152-0005 | 1 | WIRING GP-CAB (NOT SERVICED) (SEE BREAKDOWN FOR COMPONENTS) |
| 4 | 152-0418 | 1 | LINER GP-OPERATOR (NOT SERVICED) (SEE BREAKDOWN FOR COMPONENTS) |
| 5 | 152-0419 | 1 | SPEAKER GP-RADIO (NOT SERVICED) (SEE BREAKDOWN FOR COMPONENTS) |
| 6 | 152-0424 | 1 | VISOR GP-CAB (FRONT) (NOT SERVICED) (SEE BREAKDOWN FOR COMPONENTS) |
| 7 | 500768D1 | 1 | CONSOLE GP (NOT SERVICED) (SEE BREAKDOWN FOR COMPONENTS) |
| 8 | 152-0433 | 1 | SEAT GP-TRAINING (NOT SERVICED) (SEE BREAKDOWN FOR COMPONENTS) |
| 9 | 500839D1 | 1 | CONSOLE GP-MTG & (NOT SERVICED) (SEE BREAKDOWN FOR COMPONENTS) |
| 10 | 152-0438 | 1 | CONTROL GP-BRAKE & CLUTCH (NOT SERVICED) (SEE BREAKDOWN FOR COMPONENTS) |
| 11 | 152-0444 | 1 | ROOF GP-CAB (NOT SERVICED) (SEE BREAKDOWN FOR COMPONENTS) |
| 12 | 152-0447 | 1 | CONTROL GP-DECELERATOR (NOT SERVICED) (SEE BREAKDOWN FOR COMPONENTS) |
| 13 | 162-4101 | 1 | LIGHTING GP-WARNING (NOT SERVICED) (SEE BREAKDOWN FOR COMPONENTS) |
| 14 | 502502D1 | 1 | AIR CONDITIONER & MOUNTING GP (NOT SERVICED) (SEE BREAKDOWN FOR COMPONENTS) |
| 15 | 168-1946 | 1 | WIRING GP-CONSOLE (NOT SERVICED) (SEE BREAKDOWN FOR COMPONENTS) |
| 16 | 168-1951 | 1 | ANTENNA GP-RADIO (NOT SERVICED) (SEE BREAKDOWN FOR COMPONENTS) |
| 17 | 172-6857 | 1 | CONTROL GP-PARKING BRAKE (NOT SERVICED) (SEE BREAKDOWN FOR COMPONENTS) |
| 18 | 196-3968 | 1 | WIPER GP (DELUXE) (NOT SERVICED) (SEE BREAKDOWN FOR COMPONENTS) |
| 19 | 206-0588 | 1 | MIRROR GP (NOT SERVICED) (SEE BREAKDOWN FOR COMPONENTS) |
| 20 | 208-2880 | 1 | LINES GP-HEATER (NOT SERVICED) (SEE BREAKDOWN FOR COMPONENTS) |
| 21 | 209-5608 | 1 | MIRROR GP-REAR VIEW (NOT SERVICED) (SEE BREAKDOWN FOR COMPONENTS) |
| 22 | 224-3917 | 1 | TRIM GP-CAB (NOT SERVICED) (SEE BREAKDOWN FOR COMPONENTS) |
| 23 | 500761D1 | 1 | COVER GP (NOT SERVICED) (SEE BREAKDOWN FOR COMPONENTS) |

NOTIF
PR: t05b22n43d0442

1010

MT800B SERIES TRACTORS
OPERATOR STATION

CAB AR-DELUXE - 500841D1
EAME ONLY

NO ILLUSTRATION

NOTIF

**MT800B SERIES TRACTORS
OPERATOR STATION**

1011

**CAB AR-DELUXE - 500841D1
EAME ONLY**

| ITEM | NUMBER | QTY | DESCRIPTION |
|------|----------|-----|---|
| - | 500841D1 | - | CAB AR-DELUXE (SERVICED BY COMPONENTS) |
| 1 | 136-5477 | 1 | WIRING GP-ARMREST (NOT SERVICED) (SEE BREAKDOWN FOR COMPONENTS) |
| 2 | 152-0004 | 1 | CAB GP-BASIC (SEE BREAKDOWN FOR COMPONENTS) |
| 3 | 152-0005 | 1 | WIRING GP-CAB (NOT SERVICED) (SEE BREAKDOWN FOR COMPONENTS) |
| 4 | 152-0418 | 1 | LINER GP-OPERATOR (NOT SERVICED) (SEE BREAKDOWN FOR COMPONENTS) |
| 5 | 152-0419 | 1 | SPEAKER GP-RADIO (NOT SERVICED) (SEE BREAKDOWN FOR COMPONENTS) |
| 6 | 152-0424 | 1 | VISOR GP-CAB (FRONT) (NOT SERVICED) (SEE BREAKDOWN FOR COMPONENTS) |
| 7 | 500768D1 | 1 | CONSOLE GP (NOT SERVICED) (SEE BREAKDOWN FOR COMPONENTS) |
| 8 | 152-0433 | 1 | SEAT GP-TRAINING (NOT SERVICED) (SEE BREAKDOWN FOR COMPONENTS) |
| 9 | 500839D1 | 1 | CONSOLE GP-MTG & (NOT SERVICED) (SEE BREAKDOWN FOR COMPONENTS) |
| 10 | 152-0438 | 1 | CONTROL GP-BRAKE & CLUTCH (NOT SERVICED) (SEE BREAKDOWN FOR COMPONENTS) |
| 11 | 152-0444 | 1 | ROOF GP-CAB (NOT SERVICED) (SEE BREAKDOWN FOR COMPONENTS) |
| 12 | 152-0447 | 1 | CONTROL GP-DECELERATOR (NOT SERVICED) (SEE BREAKDOWN FOR COMPONENTS) |
| 13 | 162-4101 | 1 | LIGHTING GP-WARNING (NOT SERVICED) (SEE BREAKDOWN FOR COMPONENTS) |
| 14 | 502501D1 | 1 | AIR CONDITIONER & MOUNTING GP (NOT SERVICED) (SEE BREAKDOWN FOR COMPONENTS) |
| 15 | 168-1946 | 1 | WIRING GP-CONSOLE (NOT SERVICED) (SEE BREAKDOWN FOR COMPONENTS) |
| 16 | 168-1951 | 1 | ANTENNA GP-RADIO (NOT SERVICED) (SEE BREAKDOWN FOR COMPONENTS) |
| 17 | 172-6857 | 1 | CONTROL GP-PARKING BRAKE (NOT SERVICED) (SEE BREAKDOWN FOR COMPONENTS) |
| 18 | 196-3968 | 1 | WIPER GP (DELUXE) (NOT SERVICED) (SEE BREAKDOWN FOR COMPONENTS) |
| 19 | 206-0588 | 1 | MIRROR GP (NOT SERVICED) (SEE BREAKDOWN FOR COMPONENTS) |
| 20 | 208-2881 | 1 | LINES GP-HEATER (NOT SERVICED) (SEE BREAKDOWN FOR COMPONENTS) |
| 21 | 209-5608 | 1 | MIRROR GP-REAR VIEW (NOT SERVICED) (SEE BREAKDOWN FOR COMPONENTS) |
| 22 | 224-3917 | 1 | TRIM GP-CAB (NOT SERVICED) (SEE BREAKDOWN FOR COMPONENTS) |
| 23 | 173-6501 | 1 | WIRING GP-SHUTOFF (TIME DELAY LIGHTING) (NOT SERVICED) (SEE BREAKDOWN FOR COMPONENTS) |
| 24 | 500761D1 | 1 | COVER GP (NOT SERVICED) (SEE BREAKDOWN FOR COMPONENTS) |

NOTIF
PR: t05b22n43d0443

1012

MT800B SERIES TRACTORS
OPERATOR STATION

CAB AR-BASIC - 500844D1
ROW & SPECIAL APPLICATIONS

NO ILLUSTRATION

NOTIF

**MT800B SERIES TRACTORS
OPERATOR STATION**

1013

**CAB AR-BASIC - 500844D1
ROW & SPECIAL APPLICATIONS**

| ITEM | NUMBER | QTY | DESCRIPTION |
|------|----------|-----|---|
| - | 500844D1 | - | CAB AR (NOT SERVICED) |
| 1 | 136-5477 | 1 | WIRING GP-CONSOLE (NOT SERVICED) (SEE BREAKDOWN FOR COMPONENTS) |
| 2 | 502502D1 | 1 | AIR CONDITIONER & MOUNTING GP (NOT SERVICED) (SEE BREAKDOWN FOR COMPONENTS) |
| 3 | 152-0003 | 1 | CAB GP (SEE BREAKDOWN FOR COMPONENTS) |
| 4 | 152-0417 | 1 | ROOF GP-CAB (NOT SERVICED) (SEE BREAKDOWN FOR COMPONENTS) |
| 5 | 152-0418 | 1 | HEADLINER GP (NOT SERVICED) (SEE BREAKDOWN FOR COMPONENTS) |
| 6 | 152-0420 | 1 | WIRING GP-CAB (NOT SERVICED) (SEE BREAKDOWN FOR COMPONENTS) |
| 7 | 500768D1 | 1 | CONSOLE GP (NOT SERVICED) (SEE BREAKDOWN FOR COMPONENTS) |
| 8 | 152-0433 | 1 | SEAT GP-COMPANION (NOT SERVICED) (SEE BREAKDOWN FOR COMPONENTS) |
| 9 | 500839D1 | 1 | CONSOLE GP & MTG (NOT SERVICED) (SEE BREAKDOWN FOR COMPONENTS) |
| 10 | 152-0438 | 1 | CONTROL GP-CLUTCH & BRAKE (NOT SERVICED) (SEE BREAKDOWN FOR COMPONENTS) |
| 11 | 152-0447 | 1 | CONTROL GP-DECELERATOR (NOT SERVICED) (SEE BREAKDOWN FOR COMPONENTS) |
| 12 | 168-1951 | 1 | ANTENNA GP-RADIO (NOT SERVICED) (SEE BREAKDOWN FOR COMPONENTS) |
| 13 | 208-2880 | 1 | LINES GP-HEATER (NOT SERVICED) (SEE BREAKDOWN FOR COMPONENTS) |
| 14 | 224-3917 | 1 | TRIM GP-CAB (NOT SERVICED) (SEE BREAKDOWN FOR COMPONENTS) |

NOTIF
PR: t05b22n43d0444

1014

MT800B SERIES TRACTORS
OPERATOR STATION

CAB AR-DELUXE - 500849D1
ROW & SPECIAL APPLICATIONS

NO ILLUSTRATION

NOTIF

**MT800B SERIES TRACTORS
OPERATOR STATION**

1015

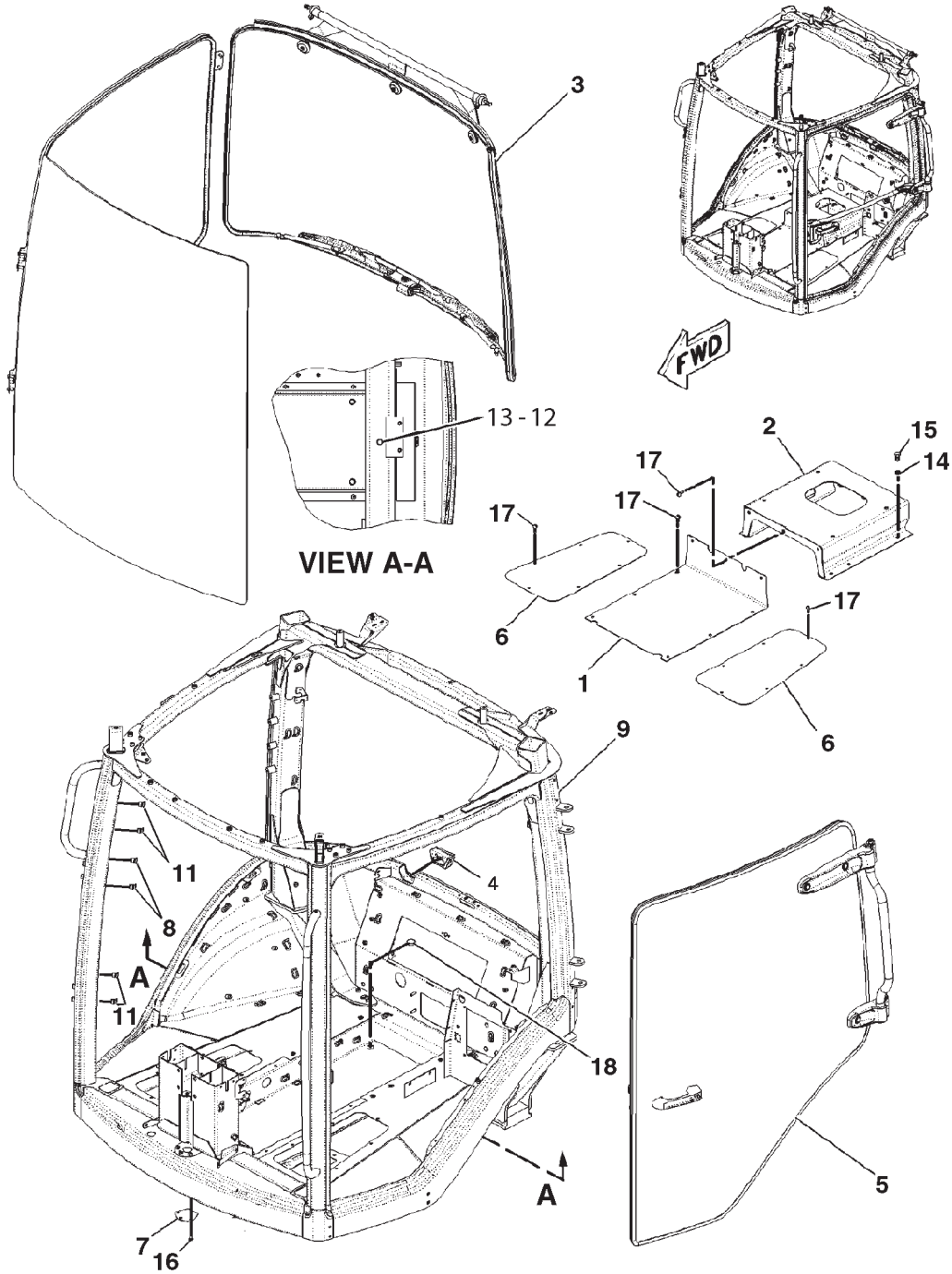
**CAB AR-DELUXE - 500849D1
ROW & SPECIAL APPLICATIONS**

| ITEM | NUMBER | QTY | DESCRIPTION |
|------|----------|-----|---|
| - | 500849D1 | - | CAB AR (NOT SERVICED) |
| 1 | 136-5477 | 1 | WIRING GP-ARMREST (NOT SERVICED) (SEE BREAKDOWN FOR COMPONENTS) |
| 2 | 136-5663 | 1 | BATTERY & WIRING GP (NOT SERVICED) (SEE BREAKDOWN FOR COMPONENTS) |
| 3 | 152-0003 | 1 | CAB GP (SEE BREAKDOWN FOR COMPONENTS) |
| 4 | 152-0417 | 1 | ROOF GP-CAB (NOT SERVICED) (SEE BREAKDOWN FOR COMPONENTS) |
| 5 | 152-0418 | 1 | HEADLINER GP (NOT SERVICED) (SEE BREAKDOWN FOR COMPONENTS) |
| 6 | 152-0419 | 1 | SPEAKER GP-RADIO (NOT SERVICED) (SEE BREAKDOWN FOR COMPONENTS) |
| 7 | 152-0420 | 1 | WIRING GP-CAB (NOT SERVICED) (SEE BREAKDOWN FOR COMPONENTS) |
| 8 | 152-0424 | 1 | VISOR GP-CAB (FRONT)(NOT SERVICED) (SEE BREAKDOWN FOR COMPONENTS) |
| 9 | 500768D1 | 1 | CONSOLE GP (NOT SERVICED) (SEE BREAKDOWN FOR COMPONENTS) |
| 10 | 152-0433 | 1 | SEAT GP-COMPANION (NOT SERVICED) (SEE BREAKDOWN FOR COMPONENTS) |
| 11 | 500839D1 | 1 | CONSOLE GP-MOUNTING (NOT SERVICED) (SEE BREAKDOWN FOR COMPONENTS) |
| 12 | 152-0438 | 1 | CONTROL GP-CLUTCH & BRAKE (NOT SERVICED) (SEE BREAKDOWN FOR COMPONENTS) |
| 13 | 152-0447 | 1 | CONTROL GP-DECELERATOR (NOT SERVICED) (SEE BREAKDOWN FOR COMPONENTS) |
| 14 | 162-4096 | 1 | WIRING GP-SHUTOFF (ENGINE) (NOT SERVICED) (SEE BREAKDOWN FOR COMPONENTS) |
| 15 | 162-4097 | 1 | WIRING GP-CONSOLE (NOT SERVICED) (SEE BREAKDOWN FOR COMPONENTS) |
| 16 | 502501D1 | 1 | AIR CONDITIONER & MOUNTING GP (NOT SERVICED) (SEE BREAKDOWN FOR COMPONENTS) |
| 17 | 168-1951 | 1 | ANTENNA GP-RADIO (AM/FM) (NOT SERVICED) (SEE BREAKDOWN FOR COMPONENTS) |
| 18 | 173-6501 | 1 | WIRING GP-SHUTOFF (TIME DELAY LIGHTING) (NOT SERVICED) (SEE BREAKDOWN FOR COMPONENTS) |
| 19 | 196-3968 | 1 | WIPER GP-WINDOW (NOT SERVICED) (SEE BREAKDOWN FOR COMPONENTS) |
| 20 | 208-2881 | 1 | LINES GP-HEATER (NOT SERVICED) (SEE BREAKDOWN FOR COMPONENTS) |
| 21 | 209-5608 | 1 | MIRROR GP-REAR VIEW (NOT SERVICED) (SEE BREAKDOWN FOR COMPONENTS) |
| 22 | 210-1570 | 1 | ANTENNA GP-RADIO (BUSINESS BAND) (NOT SERVICED) (SEE BREAKDOWN FOR COMPONENTS) |
| 23 | 224-3917 | 1 | TRIM GP-CAB (NOT SERVICED) (SEE BREAKDOWN FOR COMPONENTS) |

NOTIF
PR: t05b22n43d0445

MT800B SERIES TRACTORS
OPERATOR STATION

CAB GP - 152-0003
ROW & SPECIAL APPLICATIONS



**MT800B SERIES TRACTORS
OPERATOR STATION**

1017

**CAB GP - 152-0003
ROW & SPECIAL APPLICATIONS**

| ITEM | NUMBER | QTY | DESCRIPTION |
|------|------------|-----|--|
| - | 152-0003 | - | CAB GP [A] |
| 1 | 151-8559 | 1 | PLATE-COVER |
| 2 | 151-9961 | 1 | PLATE ASM-SEAT PEDISTAL |
| 3 | 151-9994 | 1 | WINDOW GP-CAB (NOT SERVICED) (SEE BREAKDOWN FOR COMPONENTS) |
| 4 | 164-7017 | 1 | SEAL-WIRING (REAR) |
| 5 | 500927D1 | 1 | DOOR GP-CAB (NOT SERVICED) (SEE BREAKDOWN FOR COMPONENTS) |
| 6 | 166-4558 | 2 | COVER-FLOOR MODULE |
| 7 | 180-9966 | 1 | COVER |
| 8 | CH187-4902 | 8 | INSERT |
| 9 | | 1 | FRAME AS (ORDER CAB GP) |
| 10 | | | NOT USED |
| 11 | CH225-6215 | 4 | BUTTON-PLUG |
| 12 | CH3E-4353 | 1 | WASHER-HARD (11X25X3) |
| 13 | 400190X1 | 1 | BOLT (M12X1.75X16MM) |
| 14 | 400287X1 | 6 | WASHER-HARD (11X21X2.5) |
| 15 | 400058X1 | 6 | BOLT (M10X1.5X30MM) |
| 16 | 400227X1 | 5 | BOLT (M8X1.25X16MM) |
| 17 | CH9X-2042 | 21 | SCREW-TRUSS HEAD (M6X1X12MM) |
| 18 | CH9X-3994 | 2 | PLUG |

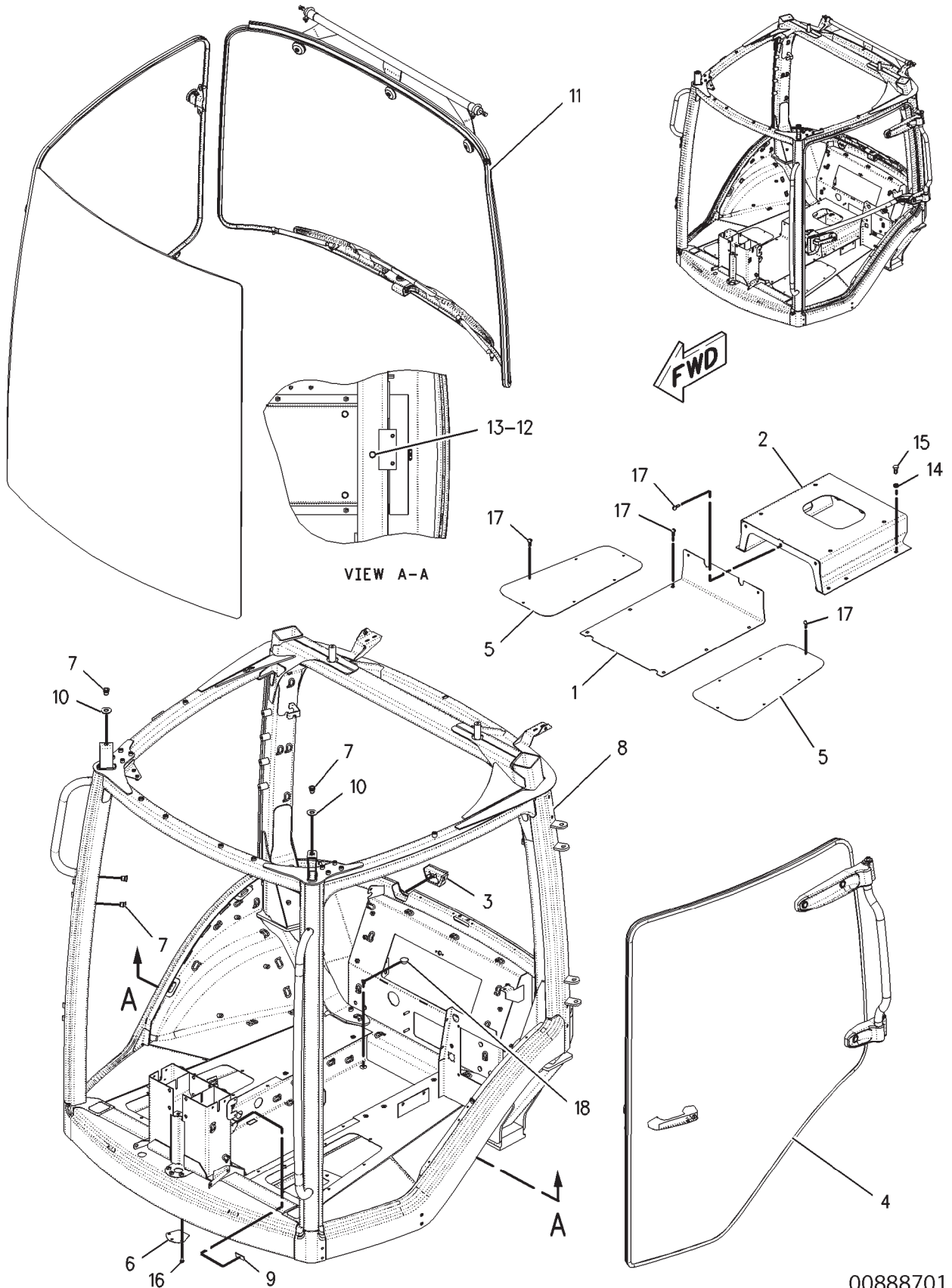
[A] PART OF 152-0012; 152-0013; 222-4146
500763D1; 500764D1; 500767D1;
500843D1; 500844D1; 500849D1;
502662D1; 502667D1 CAB AR

0888610B
PR: t05b22n43d0446

1018

MT800B SERIES TRACTORS
OPERATOR STATION

CAB GP - 152-0004
EAME ONLY



00888701

**MT800B SERIES TRACTORS
OPERATOR STATION**

1019

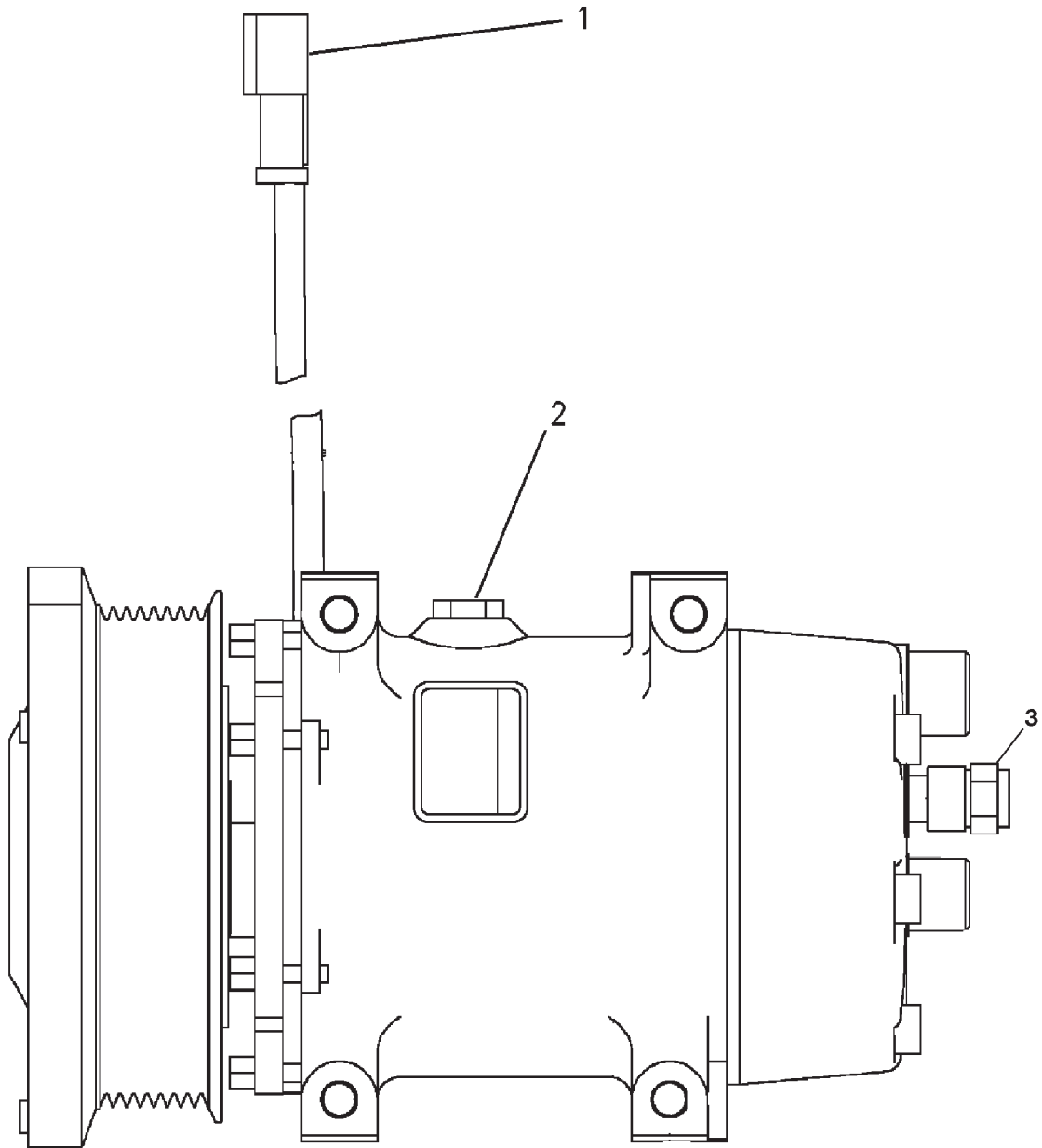
**CAB GP - 152-0004
EAME ONLY**

| ITEM | NUMBER | QTY | DESCRIPTION |
|------|------------|-----|---|
| - | 152-0004 | - | CAB GP [A] |
| 1 | 151-8559 | 1 | PLATE-COVER |
| 2 | 151-9961 | 1 | PLATE AS-SEAT PEDISTAL |
| 3 | 164-7017 | 1 | SEAL-WIRING (REAR) |
| 4 | 500927D1 | 1 | DOOR GP-CAB |
| 5 | 166-4558 | 2 | COVER |
| 6 | 180-9966 | 1 | COVER |
| 7 | CH187-4902 | 6 | INSERT |
| 8 | | 1 | FRAME AS (ORDER CAB GP) |
| 9 | 202-0843 | 1 | PAD |
| 10 | 090-8865 | 2 | SPACER (17X40X3MM THK) |
| 11 | 151-9995 | 1 | GLASS GP-WINDSHIELD (NOT SERVICED) (SEE BREAKDOWN FOR COMPONENTS) |
| 12 | CH3E-4353 | 1 | WASHER-HARD (11X25X3MM THK) |
| 13 | 400190X1 | 1 | BOLT (M12X1.75X16MM) |
| 14 | 400287X1 | 6 | WASHER-HARD (11X21X2.5MM THK) |
| 15 | 8T-4195 | 6 | BOLT (M10X1.5X30MM) |
| 16 | 400227X1 | 5 | BOLT (M8X1.25X16MM) |
| 17 | 9X-2042 | 21 | SCREW-TRUSS HEAD (M6X1X12MM) |
| 18 | CH9X-3994 | 2 | PLUG |

[A] PART OF: 152-0008; 152-0009;
500841D1 CAB AR

00888701
PR: t05b22n43d0447

COMPRESSOR GP-REFRIGERANT - CH178-9570



MT800B SERIES TRACTORS
OPERATOR STATION

1021

COMPRESSOR GP-REFRIGERANT - CH178-9570

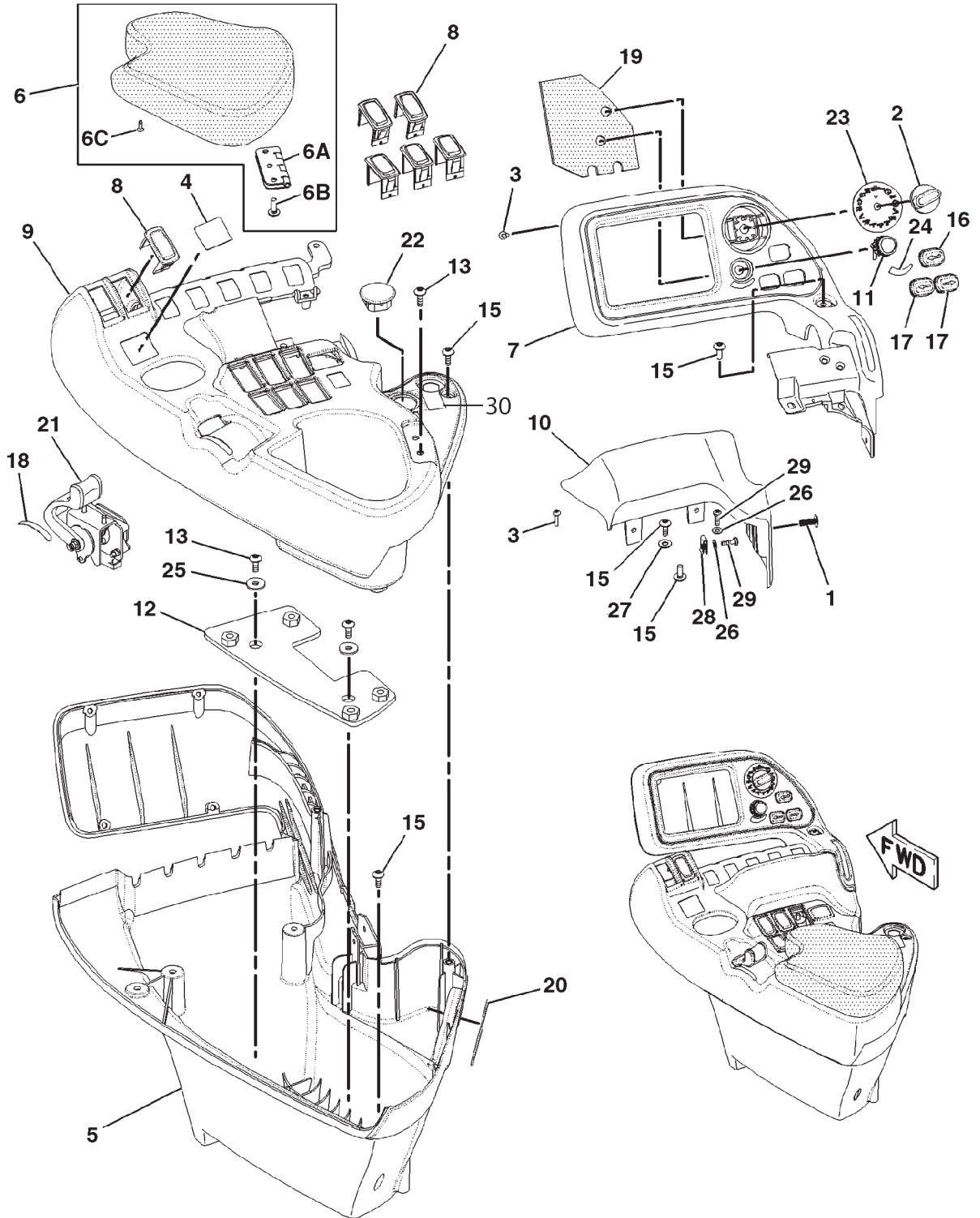
| ITEM | NUMBER | QTY | DESCRIPTION |
|------|------------|-----|--|
| - | CH178-9570 | - | COMPRESSOR GP-REFRIGERANT [A] |
| 1 | CH102-8802 | 1 | KIT-RECEPTACLE (2 PIN) (INCLUDES WEDGE AND RECEPTACLE ASM) (SERVICED AS COMPLETE KIT ONLY) |
| 2 | CH7T-4532 | 1 | PLUG ASM (W/SEAL) |
| 3 | CH114-3469 | 1 | VALVE ASM (INCL SEAL) |
| | CH9X-7378 | 1 | SEAL |

[A] PART OF 187-1792 MOUNTING GP-
REFRIGERANT COMPR

0777332A
PR: t05b22n43d0448

MT800B SERIES TRACTORS
OPERATOR STATION

CONSOLE GP-OPERATOR - 152-0434
WITH PTO



**MT800B SERIES TRACTORS
OPERATOR STATION**

1023

**CONSOLE GP-OPERATOR - 152-0434
WITH PTO**

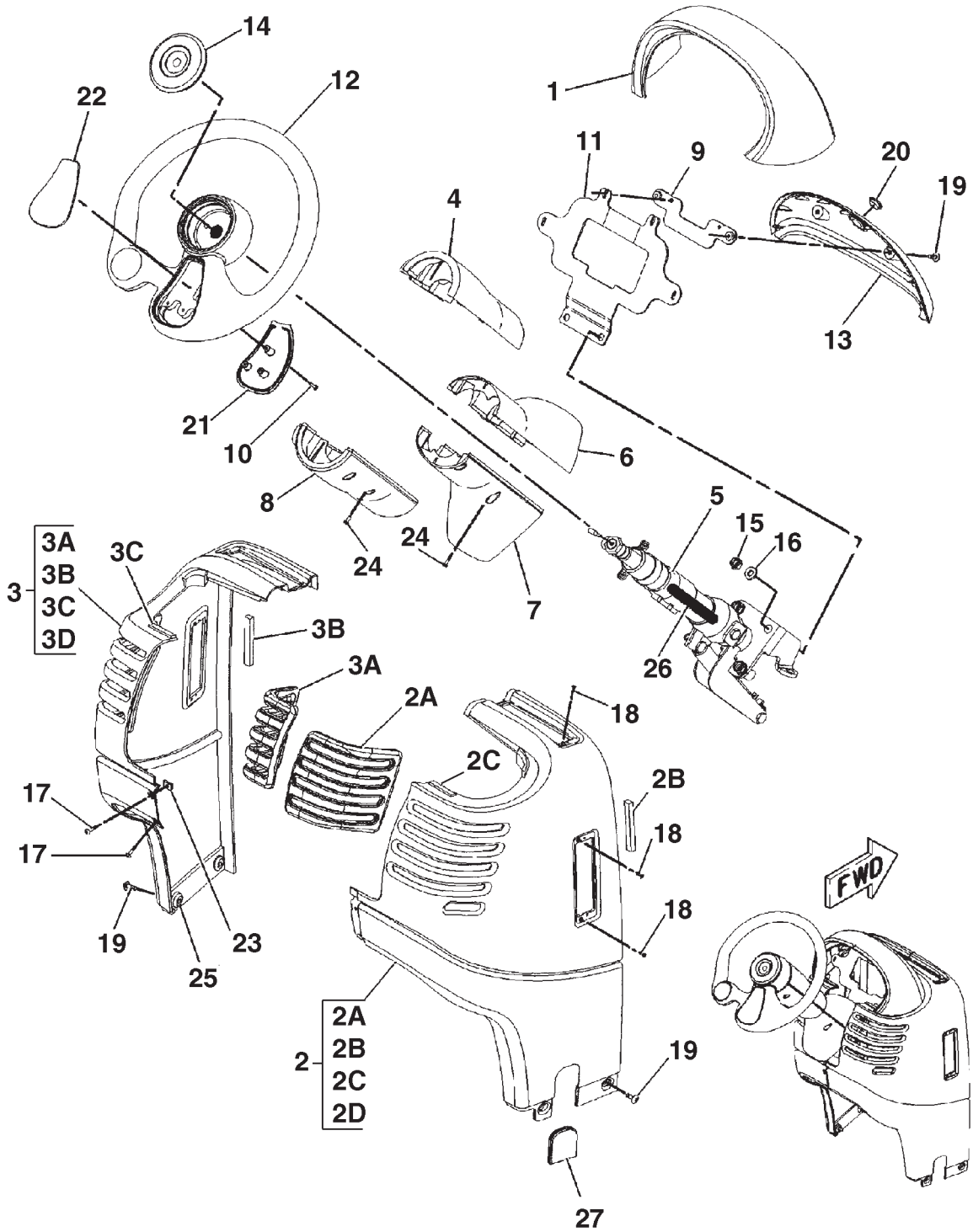
| ITEM | NUMBER | QTY | DESCRIPTION |
|------|------------|-----|--|
| - | 152-0434 | - | CONSOLE GP-OPERATOR [A] (NOT SERVICED) |
| 1 | 400110X1 | 2 | CLIP-TREE |
| 2 | CH157-0449 | 1 | KNOB-CONTROL (TRACTOR MGMT CENTER SELECTOR) |
| 3 | CH9X-1046 | 6 | SCREW (M4X0.7X18MM) |
| 4 | 501524D1 | 1 | FILM (TRANSMISSION SHIFT) |
| 5 | 162-6737 | 1 | CONSOLE ASY. (BOTTOM) |
| | 179-4207 | 3 | INSERT (M6X1 THD) |
| 6 | 162-6738 | 1 | PAD ASY. (ARM) |
| 6A | 162-4105 | 1 | HINGE ASY. |
| 6B | 207-2021 | 3 | SCREW |
| 6C | 207-2022 | 5 | SCREW |
| 7 | 164-7042 | 1 | HOUSING ASY. |
| | 173-8818 | 4 | INSERT (M4X0.7 THD) |
| 8 | CH165-5975 | 6 | PLUG |
| 9 | 502064D1 | 1 | CONSOLE ASY. (TOP) |
| | 173-8818 | 2 | INSERT (M4X0.7 THD) |
| | 179-4206 | 13 | INSERT (M5X0.8 THD) |
| 10 | 166-4608 | 1 | PAD (PALM) |
| 11 | CH168-2333 | 1 | KNOB (TRACTOR MGMT CENTER ADJUSTMENT) |
| 12 | 169-6390 | 1 | PLATE AS |
| | CH8T-3490 | 4 | NUT-WELD (M10X1.5 THD) |
| 13 | CH207-2021 | 4 | SCREW |
| 15 | CH9X-2044 | 7 | SCREW-TRUSS HEAD (M6X1X16MM) |
| 16 | CH178-7962 | 1 | BUTTON (TRACTOR MGMT CENTER ENTER KEY) |
| 17 | CH178-7963 | 2 | BUTTON (TRACTOR MGMT CENTER TAB KEYS) |
| 18 | 501531D1 | 1 | FILM (THROTTLE INSTRUCTION) |
| 19 | 180-5237 | 1 | SEAL |
| 20 | 221-5433 | 1 | COVER |
| 21 | 207-2031 | 1 | CONTROL GP-GOVERNOR (NOT SERVICED) (SEE BREAKDOWN FOR COMPONENTS) |
| 22 | CH207-2039 | 1 | PLUG |
| 23 | 501521D1 | 1 | FILM-IDENTIFICATION (TRACTOR MGMT CENTER SELECTOR) |
| 24 | 501522D1 | 1 | FILM-IDENTIFICATION (TRACTOR MGMT CENTER ADJUSTMENT) |
| 25 | CH9X-6165 | 2 | WASHER (6.5X22X2.5MM THK) |
| 26 | CH2A-3211 | 2 | WASHER (5.5X12.3X.8MM THK) |
| 27 | CH5P-0537 | 1 | WASHER-HARD (7.2X14.5X2MM THK) |
| 28 | 400356X1 | 1 | CLIP-SPRING (M5X.8-6H) |
| 29 | CH8T-6693 | 2 | SCREW-MACHINE (M5X0.8X16MM) |
| 30 | 501532D1 | 1 | FILM-PTO |
| - | 501520D1 | 1 | DECAL SHEET-CONSOLE (NOT SHOWN) (INCLS ALL DECALS) |

[A] PART OF 152-0436 SEAT GP; 500484D2;
500485D2;500486D2;500487D2;500488D2;
500489D2;500491D2;500791D2;500792D2;
500793D2;500794D2 ARMREST GP

1520434A
PR: t05k07n15a0031

MT800B SERIES TRACTORS
OPERATOR STATION

CONSOLE GP - 500768D1



**MT800B SERIES TRACTORS
OPERATOR STATION**

1025

CONSOLE GP - 500768D1

| ITEM | NUMBER | QTY | DESCRIPTION |
|------|------------|-----|--|
| - | 500768D1 | - | CONSOLE GP [A] (NOT SERVICED) |
| 1 | CH162-6660 | 1 | COVER |
| 2 | 200-1770 | 1 | CONSOLE ASM-RH (INCLS 2A-2E) |
| 2A | | 1 | CONSOLE-RIGHT |
| 2B | 169-6386 | 1 | SEAL |
| 2C | 201-4113 | 1 | BUMPER |
| 2E | 201-9789 | 1 | SEAL |
| 3 | 200-1771 | 1 | CONSOLE ASM-LH (INCLS 3A-3D) |
| 3A | | 1 | CONSOLE-LEFT |
| 3B | 169-6385 | 1 | SEAL |
| 3C | 201-4113 | 1 | BUMPER |
| 3D | 201-9789 | 1 | SEAL |
| 4 | 164-7044 | 1 | COVER-TOP (UPPER COLUMN) |
| 5 | CH166-3611 | 1 | STEERING COLUMN GP (SEE BREAKDOWN FOR COMPONENTS) |
| 6 | 166-3754 | 1 | COVER-TOP (LOWER COLUMN) |
| 7 | 166-3755 | 1 | COVER (LOWER COLUMN) |
| 8 | 166-4555 | 1 | COVER (UPPER COLUMN) |
| 9 | 192-9017 | 1 | BRACKET ASM |
| | 400313X1 | 2 | NUT-WELD (M6X1) |
| 10 | CH186-1682 | 3 | SCREW-PAN HEAD (6-32X0.75 IN) |
| 11 | 179-8220 | 1 | BRACKET ASM |
| | CH7T-1099 | 1 | LINK |
| 12 | 195-5230 | 1 | STEERING WHEEL |
| 13 | CH178-7965 | 1 | COVER |
| 14 | 195-5229 | 1 | BUTTON-HORN |
| 15 | CH8T-0389 | 4 | LOCKNUT (M10X1.5) |
| 16 | 400287X1 | 4 | WASHER-HARD (11X21X2.5) |
| 17 | CH9X-1046 | 2 | SCREW (M4X0.7X18MM) |
| 18 | CH104-2091 | 6 | SCREW-FLAT HEAD (6-20X0.5 IN) |
| 19 | CH9X-2044 | 6 | SCREW-TRUSS HEAD (M6X1X16MM) |
| 20 | CH7X-1434 | 1 | PLUG |
| 21 | 195-5227 | 1 | COVER (REMOTE RADIO CONTROL) |
| 22 | 195-5228 | 1 | COVER |
| 23 | 400084X1 | 1 | NUT-RETAINER (M4X0.07X0.6-3.8 PANEL) |
| 24 | CH119-5026 | 8 | SCREW-PAN HEAD (10-16X0.63 IN) |
| 25 | 400085X1 | 4 | NUT-RETAINER (M6X1X1.63-3.8 PANEL) |
| 26 | CH191-1780 | AR | CONDUIT-FLEXIBLE (14CM) (REQUIRED ONLY ON TRACTORS NOT EQUIPPED W/REMOTE RADIO CONTROLS) |
| 27 | 201-4114 | 1 | GROMMET |

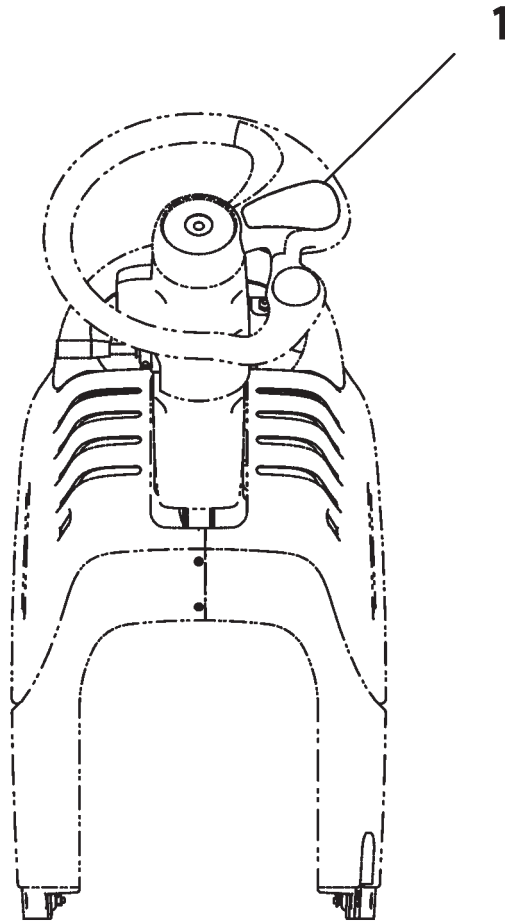
[A] PART OF 152-0012; 152-0013;
222-4146; 500841D1 CAB AR

0789409A
PR: t05b22n43d0449

1026

MT800B SERIES TRACTORS
OPERATOR STATION

COVER GP - 500761D1



500761DB

**MT800B SERIES TRACTORS
OPERATOR STATION**

1027

COVER GP - 500761D1

| ITEM | NUMBER | QTY | DESCRIPTION |
|------|----------|-----|-------------------------|
| - | 500761D1 | - | COVER GP (NOT SERVICED) |
| 1 | 195-5228 | 1 | COVER |

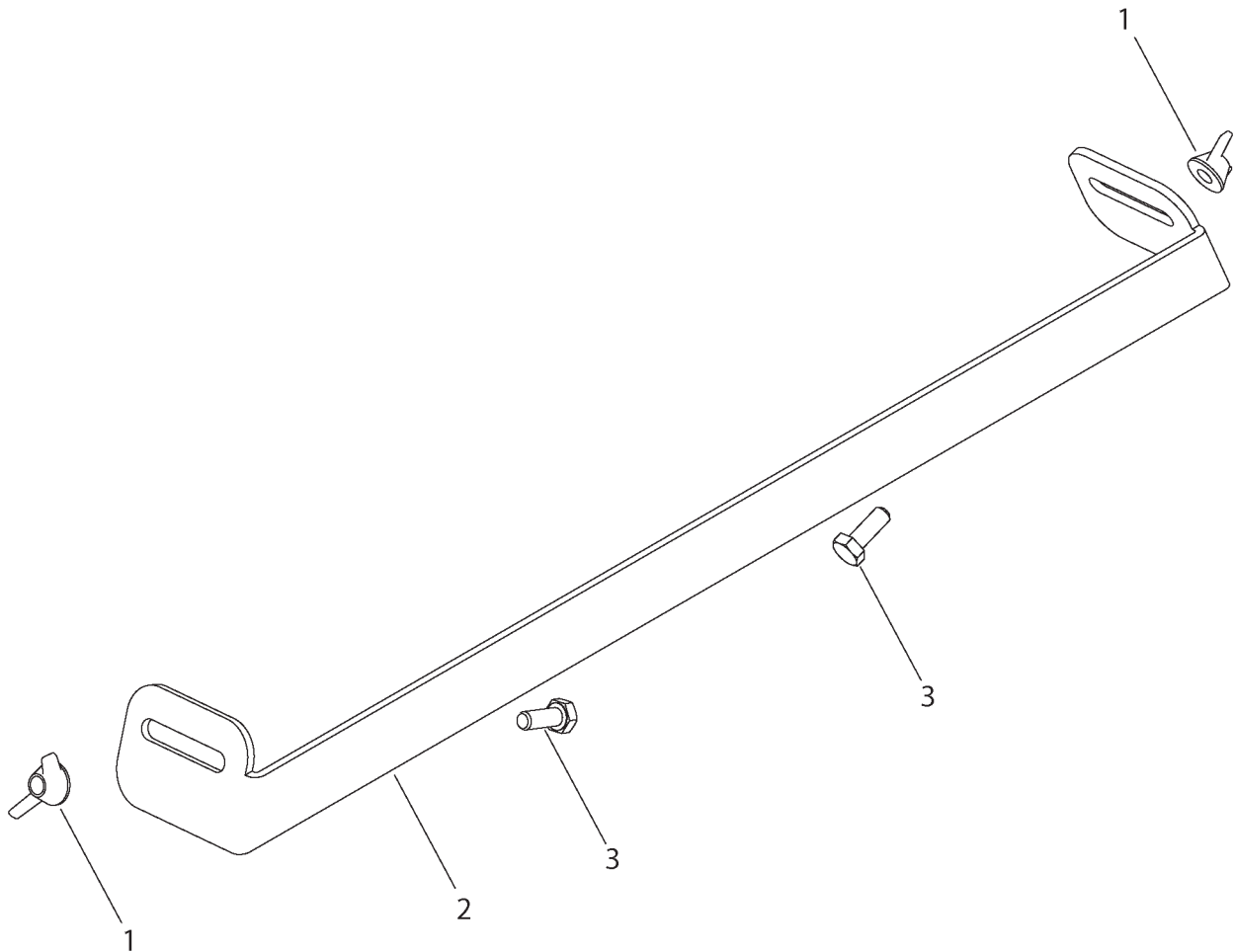
[A] PART OF: 500841D1; 500842D1;
502659D1; 502660D1 CAB AR;
502796D1 COVER GP

500761DB
PR: t05b22n43d0450

1028

MT800B SERIES TRACTORS
OPERATOR STATION

KIT-BAFFLE (AIR RECIRCULATION)
501817D1
FIELD INSTALLED



501817DA

MT800B SERIES TRACTORS
OPERATOR STATION

1029

KIT-BAFFLE (AIR RECIRCULATION)
501817D1
FIELD INSTALLED

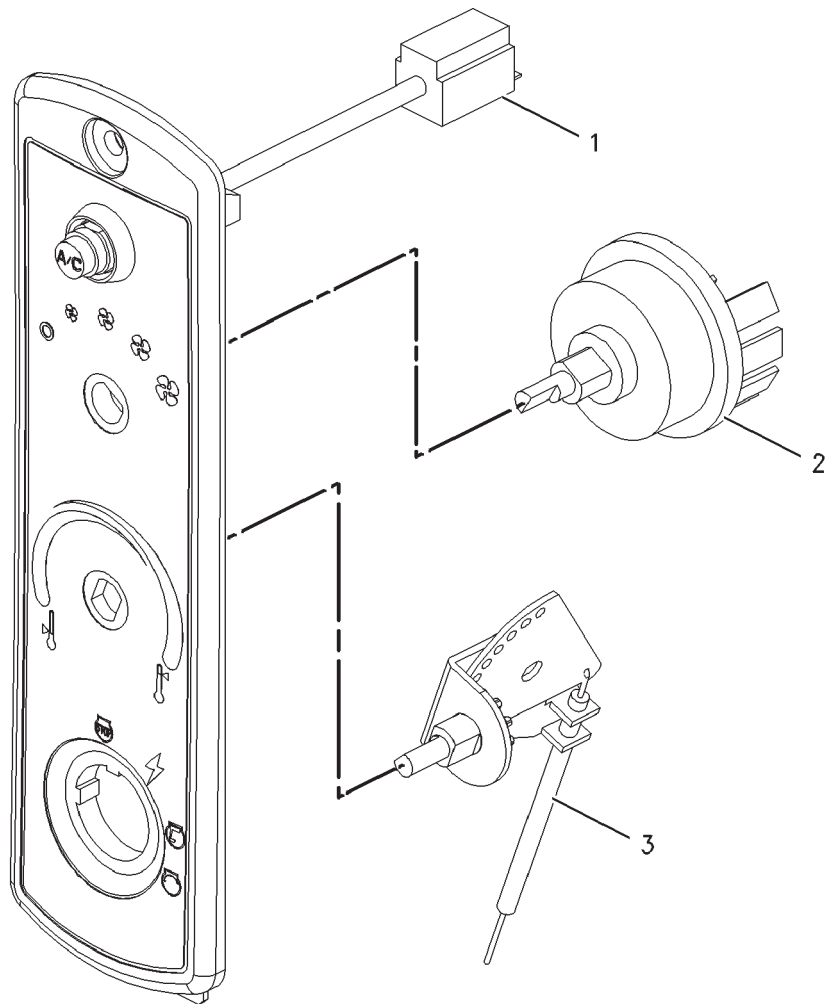
| ITEM | NUMBER | QTY | DESCRIPTION |
|------|----------|-----|--------------------------------|
| - | 501817D1 | - | KIT-BAFFLE (AIR RECIRCULATION) |
| 1 | 400718X1 | 2 | NUT-WING |
| 2 | 501818D1 | 1 | BAFFLE |
| 3 | 400152X1 | 2 | BOLT (M6X1X16MM) |

501817DA
PR: t05k07n15a0032

1030

MT800B SERIES TRACTORS
OPERATOR STATION

CONTROL GP-AIR & TEMPERATURE
166-4586



00876899

**MT800B SERIES TRACTORS
OPERATOR STATION**

1031

**CONTROL GP-AIR & TEMPERATURE
166-4586**

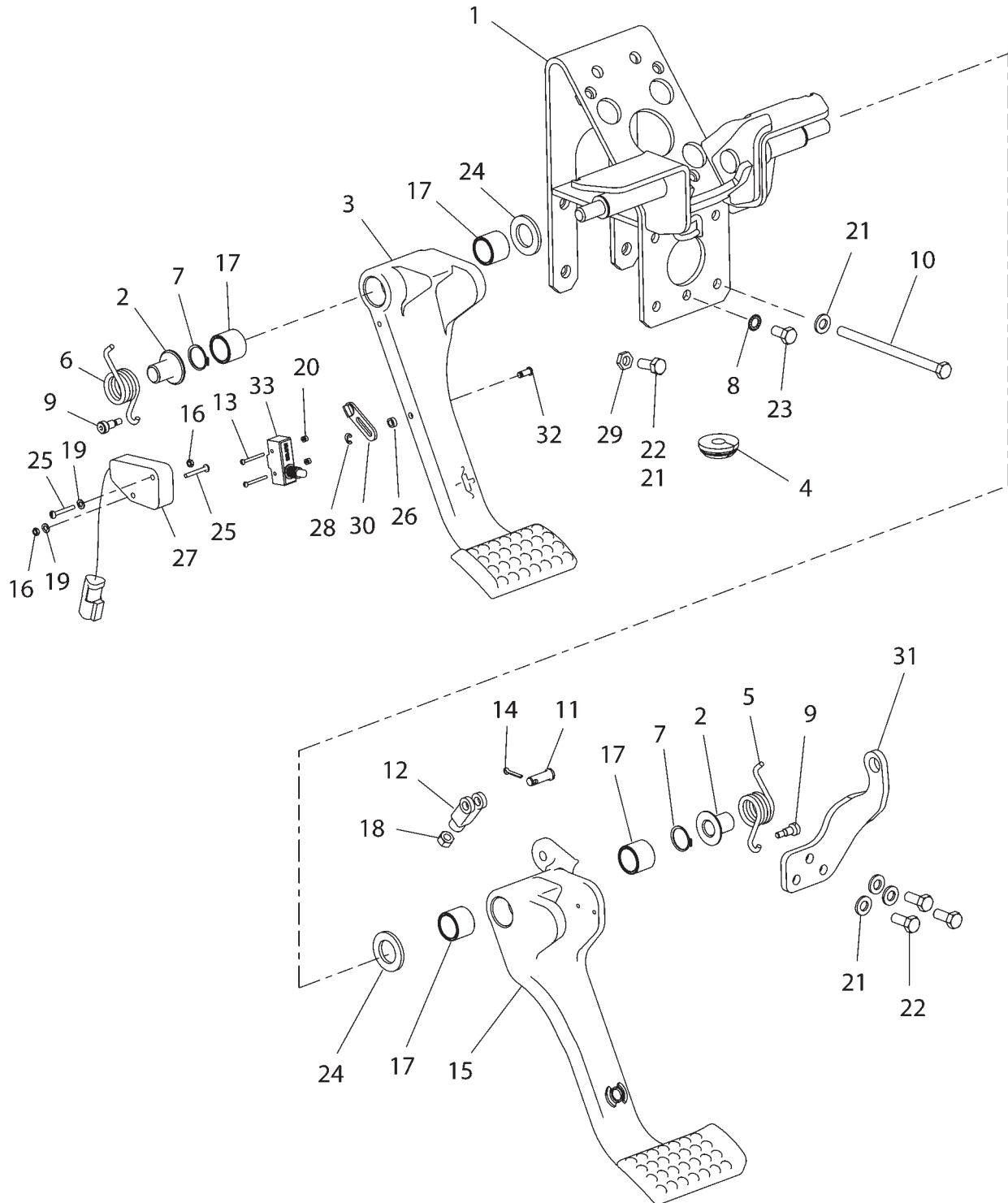
| ITEM | NUMBER | QTY | DESCRIPTION |
|------|------------|-----|--------------------------------------|
| - | 166-4586 | - | CONTROL GP-AIR & TEMPERATURE [A] |
| 1 | CH130-5742 | 1 | SWITCH-AIR CONDITIONER |
| 2 | CH157-0217 | 1 | SWITCH ASM-ROTARY (BLOWER FAN SPEED) |
| | CH6V-8362 | 6 | SCREW-MACHINE (8-32X0.31 IN) |
| | CH9B-7233 | 6 | LOCKWASHER |
| 3 | CH208-6662 | 1 | CABLE (CAB TEMPERATURE CONTROL) |

[A] PART OF 502502D1 AIR CONDITIONER &
MOUNTING GP

00876899
PR: t05b22n43d0451

MT800B SERIES TRACTORS
OPERATOR STATION

CONTROL GP-BRAKE & CLUTCH
152-0438



**MT800B SERIES TRACTORS
OPERATOR STATION**

1033

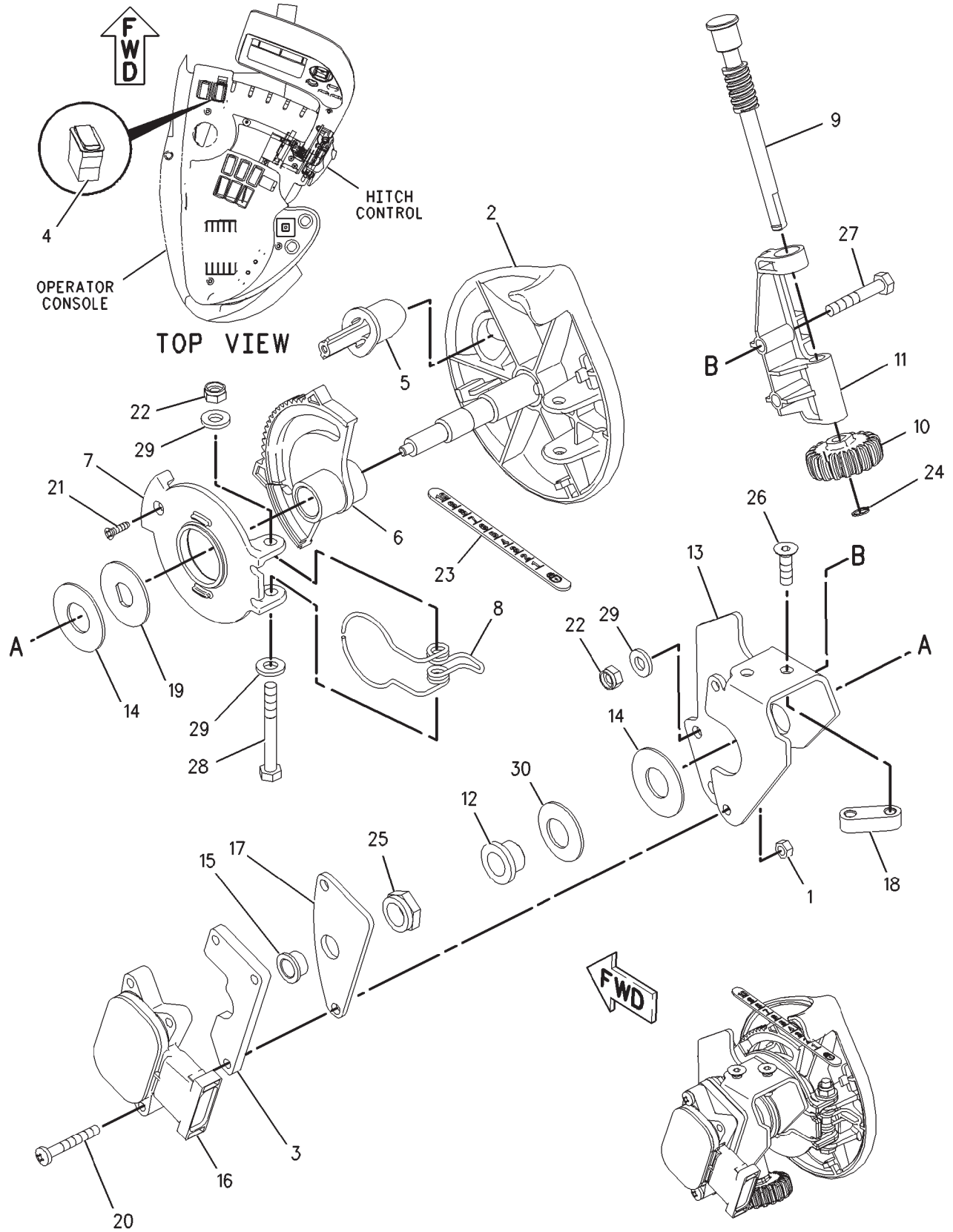
**CONTROL GP-BRAKE & CLUTCH
152-0438**

| ITEM | NUMBER | QTY | DESCRIPTION |
|------|------------|-----|---|
| - | 152-0438 | - | CONTROL GP-BRAKE & CLUTCH [A] (NOT SERVICED) |
| 1 | 500442D1 | 1 | BRACKET AS. |
| 2 | CH192-4767 | 2 | BUSHING-PLASTIC 16.3 ID W/LIP |
| 3 | 501944D1 | 1 | PEDAL-CLUTCH |
| 4 | CH212-4443 | 1 | GROMMET-RUB 12.5 IDX32 ODX2.5 |
| 5 | 400120X1 | 1 | SPRING-TORSION LH 81.3NM/TURN |
| 6 | 400121X1 | 1 | SPRING-TORSION RH 81.3NM/TURN |
| 7 | CH001-5600 | 2 | RING-RETAINING EXT 23.5 IDX1.1 |
| 8 | CH124-7346 | 1 | WASHER-LOCK, EXT T 10.2ID |
| 9 | 400004X1 | 2 | BOLT-M6X1X23.25MM PL SHDR HSHD |
| 10 | 400137X1 | 4 | BOLT-M10X1.5X160 ZNDI HHD 10.9 |
| 11 | CH1B-0676 | 1 | PIN 9.4DIA X29 STL |
| 12 | CH1F-5403 | 1 | ROD END-ADJUSTABLE |
| 13 | CH216-9085 | 2 | SCREW-M3X0.5X35MM PAN, CROSS |
| 14 | CH3B-4615 | 1 | PIN-COTTER 3.18 DIA X19MM STL |
| 15 | 500378D1 | 1 | PEDAL-BRAKE |
| 16 | CH5C-8312 | 2 | NUT-M4X0.7 THD HEX |
| 17 | 400124X1 | 4 | BRG-SLEEVE BRZ 25.44 IDX25.4LG |
| 18 | CH6V-8183 | 1 | NUT-3/8-24 THD FULL |
| 19 | CH8T-0328 | 2 | WASHER-HARD 5.5IDX10ODX1MM |
| 20 | CH8T-2658 | 2 | NUT-M3X0.5-6H HHD SLF LOCK |
| 21 | 400287X1 | 7 | WASHER-HARD 11IDX21ODX2.5 ZND1 |
| 22 | 400039X1 | 4 | BOLT-M10X1.5X25 ZNDI HHD 10.9 |
| 23 | 400040X1 | 1 | BOLT-M10X1.5X20 ZNDI HHD 10.9 |
| 24 | 400081X1 | 2 | WASHER-HARD 26IDX44ODX4MM ZNDI |
| 25 | CH9X-2606 | 2 | SCREW-PAN M4X0.7X30 |
| 26 | CH4E-7808 | 1 | SPACER 10 ODX6.6 IDX4 |
| 27 | 500619D1 | 1 | SENSOR-POSITION |
| 28 | 400553X1 | 1 | E-CLIP 5MM SHAFT |
| 29 | 400576X1 | 1 | NUT-HEX JAM M10X1.5 THD |
| 30 | 500450D1 | 1 | BRACKET AS |
| 31 | 500493D1 | 1 | PLATE |
| 32 | 500513D1 | 1 | PIN |
| 33 | 500717D1 | 1 | SWITCH-PUSH BUTTON |

[A] PART OF 152-0012; 152-0013;
222-4146; 500841D1 CAB AR

1520438B
PR: t05b22n43d0452

CONTROL GP-HITCH - 152-0445
REAR 3 POINT



**MT800B SERIES TRACTORS
OPERATOR STATION**

1035

**CONTROL GP-HITCH - 152-0445
REAR 3 POINT**

| ITEM | NUMBER | QTY | DESCRIPTION |
|------|------------|-----|---------------------------------------|
| - | 152-0445 | - | CONTROL GP-HITCH [A] (NOT SERVICED) |
| 1 | CH179-4324 | 2 | LOCKNUT (M5X.8) |
| 2 | 164-7040 | 1 | HANDLE |
| 3 | 169-6391 | 1 | SPACER-RUBBER |
| 4 | 169-8227 | 1 | SWITCH-ROCKER (3 POINT HITCH CONTROL) |
| 5 | 172-6851 | 1 | BUTTON |
| 6 | 172-6852 | 1 | GEAR |
| 7 | 172-6853 | 1 | STOP |
| 8 | 172-6858 | 1 | SPRING |
| 9 | 172-6863 | 1 | GEAR |
| 10 | 172-6864 | 1 | KNOB (HEIGHT ADJ-3 POINT HITCH CONT) |
| 11 | 172-6865 | 1 | BRACKET |
| 12 | CH174-5747 | 1 | BUSHING |
| 13 | 179-4227 | 1 | BRACKET |
| 14 | 400334X1 | 2 | WASHER (16.5X37X1.5) |
| 15 | CH187-4917 | 1 | BUSHING |
| 16 | 500382D1 | 1 | SENSOR GP-POSITION |
| 17 | CH207-2023 | 1 | PLATE |
| 18 | CH207-2024 | 1 | PLATE |
| 19 | CH214-2184 | 1 | WASHER |
| 20 | 400071X1 | 2 | SCREW-MACHINE (M5X0.8X35MM) |
| 21 | CH113-0899 | 1 | SCREW-FLAT HEAD (6-20X0.5 IN) |
| 22 | CH129-3178 | 3 | LOCKNUT (M6X1) |
| 23 | 501523D1 | 1 | FILM-INSTRUCTION (3 POINT HITCH) |
| 24 | CH3P-3547 | 1 | RING-RETAINING |
| 25 | CH4K-8341 | 1 | LOCKNUT (1/2-20) |
| 26 | 400256X1 | 2 | BOLT-FLSHD (M6X1X20MM) |
| 27 | 400070X1 | 2 | BOLT (M6X1X35MM) |
| 28 | 400186X1 | 1 | BOLT (M6X1X50MM) |
| 29 | CH8T-4205 | 4 | WASHER-HARD (7.2X14.5X2MM) |
| 30 | 400074X1 | 1 | WASHER-SPRING |

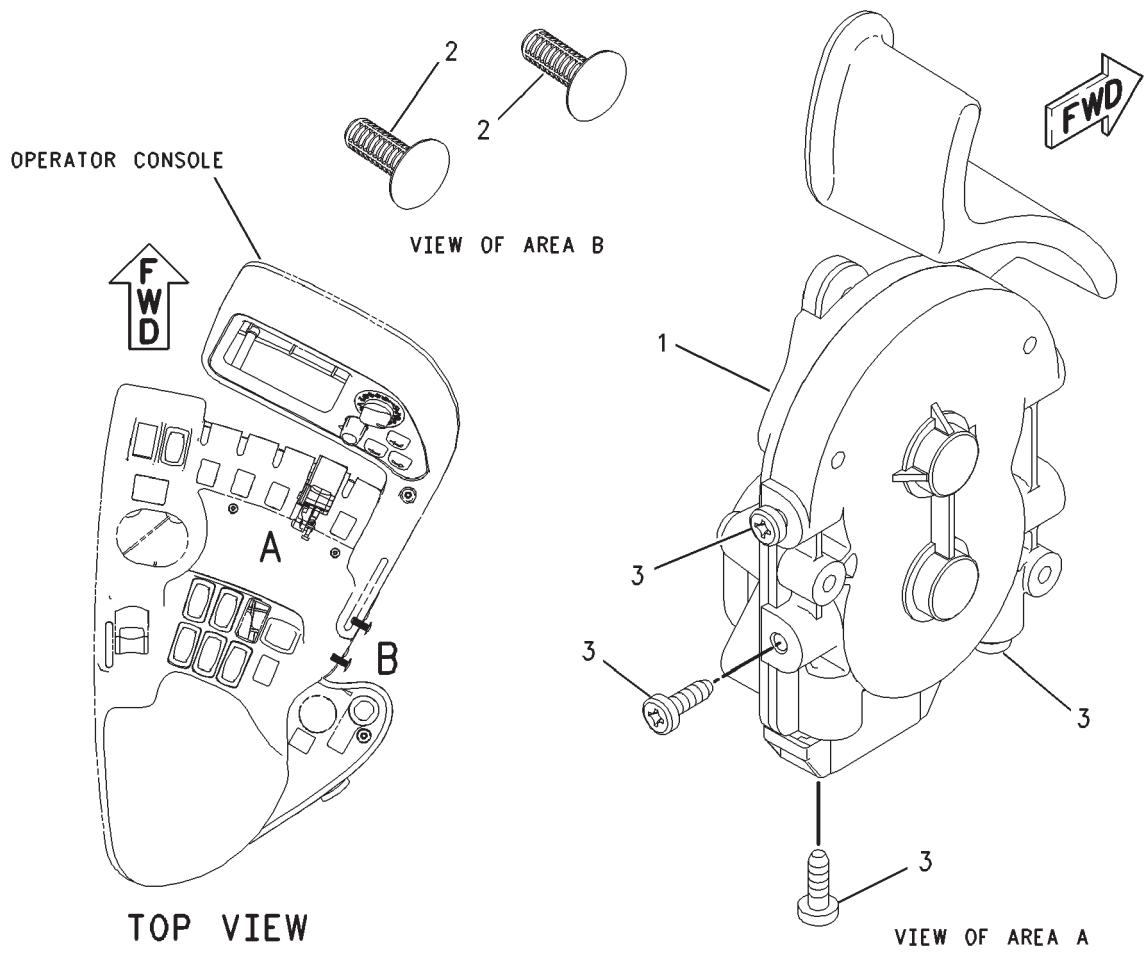
[A] PART OF 169-0027; 169-0028;
179-0852; 180-6639 HITCH AR-3 POINT

00902355
PR: t05b22n43d0453

1036

MT800B SERIES TRACTORS
OPERATOR STATION

CONTROL GP-IMPLEMENT - 4TH HANDLE
136-5355



00880990

MT800B SERIES TRACTORS
OPERATOR STATION

1037

CONTROL GP-IMPLEMENT - 4TH HANDLE
136-5355

| ITEM | NUMBER | QTY | DESCRIPTION |
|------|----------|-----|--|
| - | 136-5355 | - | CONTROL GP-IMPLEMENT [A] (NOT SERVICED) |
| 1 | 209-8704 | 1 | CONTROL GP-IMPLEMENT (SEE BREAKDOWN FOR COMPONENTS) |
| 2 | 400110X1 | 2 | CLIP |
| 3 | 212-3416 | 4 | SCREW-TRUSS HEAD (8-16X0.5 IN) |

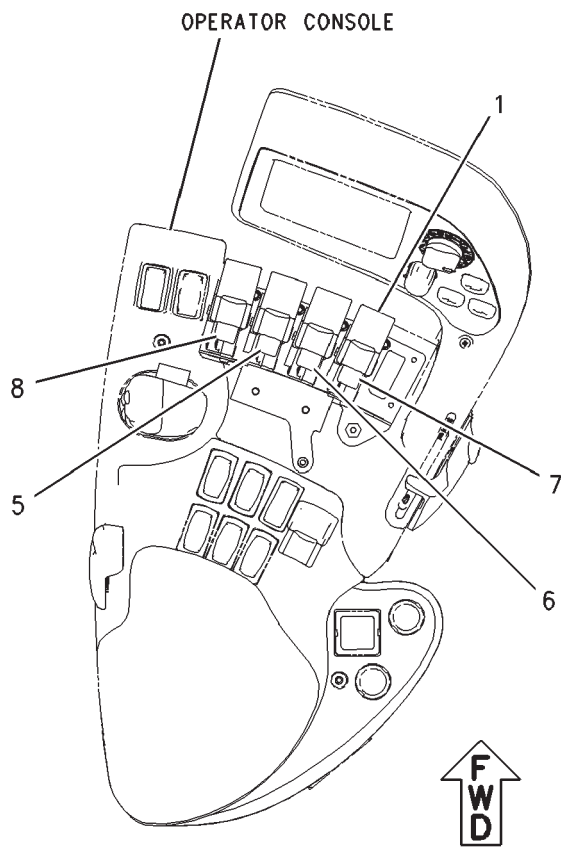
[A] PART OF 185-8699 CONVERSION GP-
CONTROL VALVE

00880990
PR: t05b22n43d0454

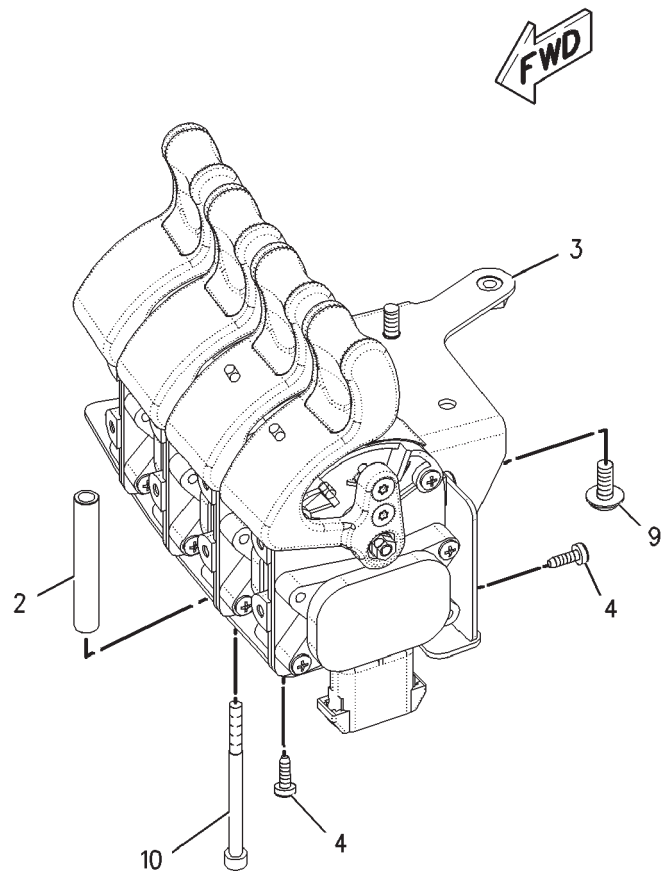
1038

MT800B SERIES TRACTORS
OPERATOR STATION

CONTROL GP-IMPLEMENT - 4 HANDLES
152-0443



TOP VIEW



00876314

**MT800B SERIES TRACTORS
OPERATOR STATION**

1039

**CONTROL GP-IMPLEMENT - 4 HANDLES
152-0443**

| ITEM | NUMBER | QTY | DESCRIPTION |
|------|------------|-----|--|
| - | 152-0443 | - | CONTROL GP-IMPLEMENT [A] (NOT SERVICED) |
| 1 | 209-8704 | 4 | CONTROL GP-IMPLEMENT (SEE BREAKDOWN FOR COMPONENTS) |
| 2 | CH195-2626 | 4 | SPACER (6.4X9.6X61) |
| 3 | 169-6362 | 1 | PLATE ASM |
| 4 | CH212-3416 | 16 | SCREW-PAN HEAD (8-16X0.5 IN) |
| 5 | 501526D1 | 1 | FILM (ELECTRO HYDRAULIC LEVER #2) |
| 6 | 501527D1 | 1 | FILM (ELECTRO HYDRAULIC LEVER #3) |
| 7 | 501528D1 | 1 | FILM (ELECTRO HYDRAULIC LEVER #4) |
| 8 | 501525D1 | 1 | FILM (ELECTRO HYDRAULIC LEVER #1) |
| 9 | CH207-2021 | 2 | SCREW |
| 10 | 400254X1 | 4 | BOLT-SOCKET HEAD (M5X.08X70MM) |

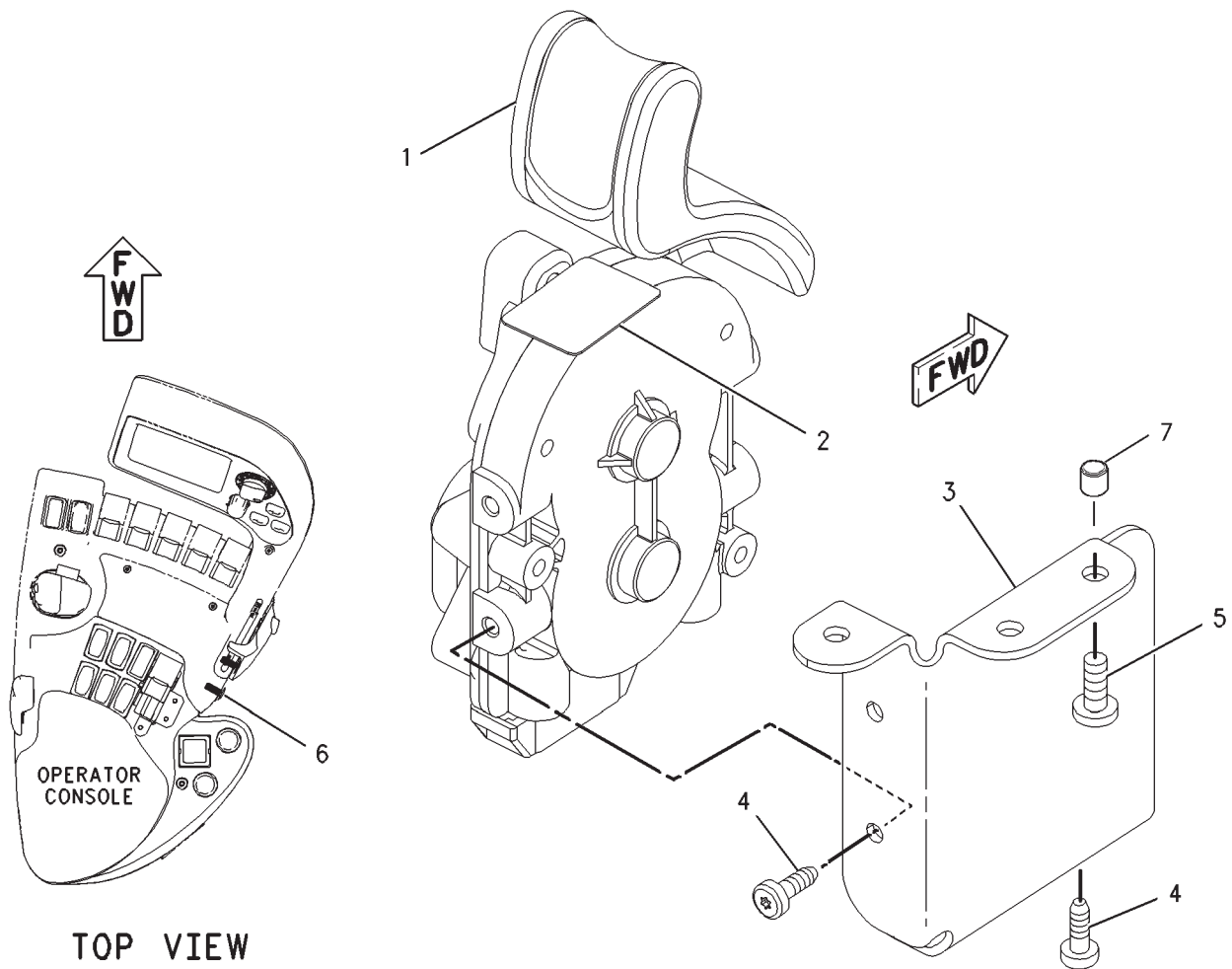
[A] PART OF:
180-1434 VALVE AR-BANK 4
502051D1 VALVE AR-4 IMPL

00876314
PR: t05b22n43d0455

1040

MT800B SERIES TRACTORS
OPERATOR STATION

CONTROL GP-IMPLEMENT - 6TH HANDLE
152-0448



00879185

MT800B SERIES TRACTORS
OPERATOR STATION

1041

CONTROL GP-IMPLEMENT - 6TH HANDLE
152-0448

| ITEM | NUMBER | QTY | DESCRIPTION |
|------|------------|-----|--|
| - | 152-0448 | - | CONTROL GP-IMPLEMENT [A] (NOT SERVICED) |
| 1 | 209-8704 | 1 | CONTROL GP-IMPLEMENT (SEE BREAKDOWN FOR COMPONENTS) |
| 2 | 501530D1 | 1 | FILM (ELECTRO HYDRAULIC LEVER) |
| 3 | 169-6384 | 1 | BRACKET |
| 4 | CH212-3416 | 4 | SCREW-PAN HEAD (8-16X0.5 IN) |
| 5 | CH6V-9673 | 3 | SCREW-MACHINE (M5X0.8X12MM) |
| 6 | 400110X1 | 2 | FASTENER |
| 7 | CH179-4206 | 3 | INSERT (19/64-24 X M5 X 0.8 ID) (NOT ILLUSTRATED) |

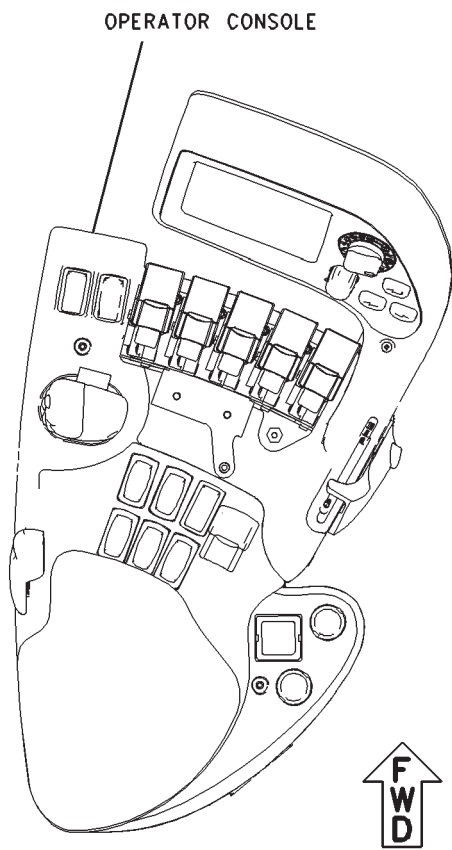
[A] PART OF:
185-8701 CONVERSION GP-CONTROL VALVE
502052D1 VALVE AR-IMPL

00879185
PR: t05b22n43d0456

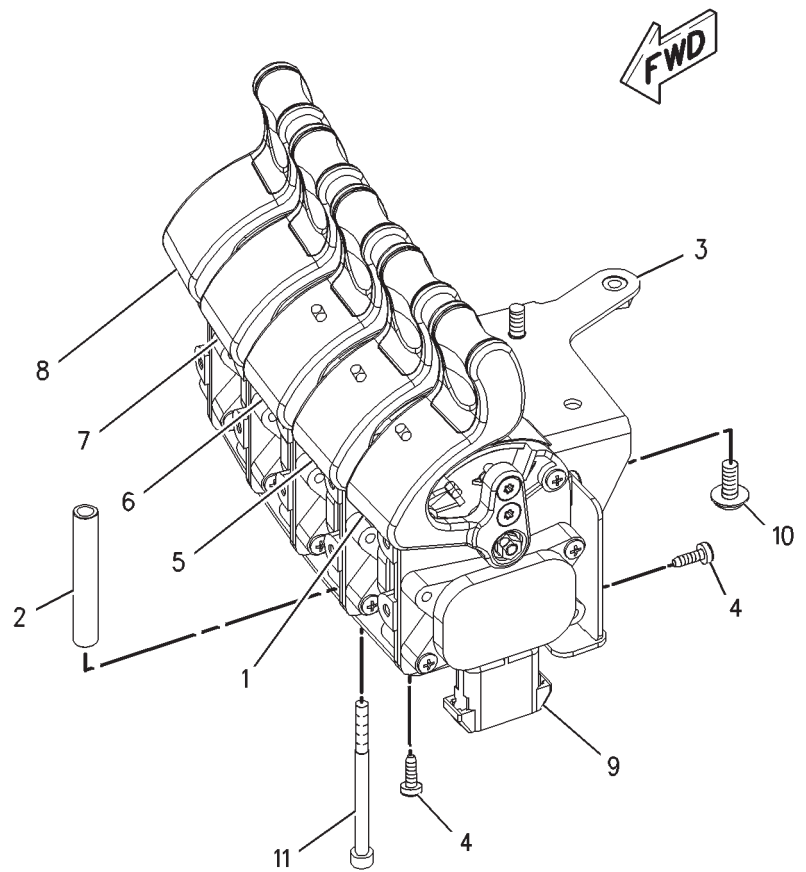
1042

MT800B SERIES TRACTORS
OPERATOR STATION

CONTROL GP-IMPLEMENT - 5 HANDLES
166-4590



TOP VIEW



00884953

**MT800B SERIES TRACTORS
OPERATOR STATION**

1043

**CONTROL GP-IMPLEMENT - 5 HANDLES
166-4590**

| ITEM | NUMBER | QTY | DESCRIPTION |
|------|------------|-----|--|
| - | 166-4590 | - | CONTROL GP-IMPLEMENT [A] (NOT SERVICED) |
| 1 | 501529D1 | 1 | FILM (ELECTRO HYDRAULIC LEVER) |
| 2 | CH195-2626 | 4 | SPACER (6.4X9.6X61) |
| 3 | 169-6362 | 1 | PLATE ASM |
| 4 | CH212-3416 | 20 | SCREW-PAN HEAD (8-16X0.5 IN) |
| 5 | 501525D1 | 1 | FILM (ELECTRO HYDRAULIC LEVER) |
| 6 | 501526D1 | 1 | FILM (ELECTRO HYDRAULIC LEVER) |
| 7 | 501527D1 | 1 | FILM (ELECTRO HYDRAULIC LEVER) |
| 8 | 501528D1 | 1 | FILM (ELECTRO HYDRAULIC LEVER) |
| 9 | 209-8704 | 5 | CONTROL GP-IMPLEMENT (SEE BREAKDOWN FOR COMPONENTS) |
| 10 | CH207-2021 | 2 | SCREW |
| 11 | 400254X1 | 4 | BOLT-SOCKET HEAD (M5X.08X70MM) |

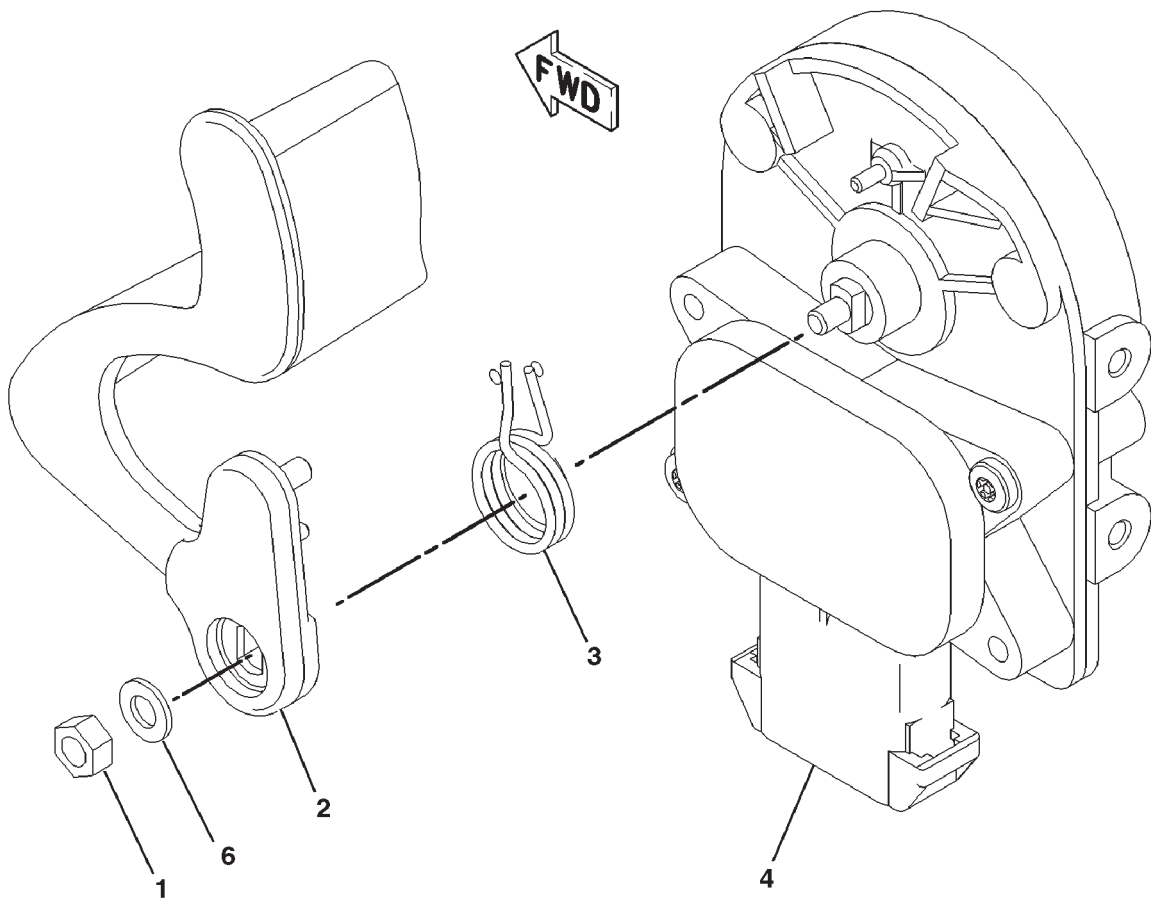
[A] PART OF:
180-1438 VALVE AR-BANK 5
502052D1 VALVE AR-IMPL

00884953
PR: t05b22n43d0457

1044

MT800B SERIES TRACTORS
OPERATOR STATION

CONTROL GP-IMPLEMENT
209-8704



0894755A

**MT800B SERIES TRACTORS
OPERATOR STATION**

1045

**CONTROL GP-IMPLEMENT
209-8704**

| ITEM | NUMBER | QTY | DESCRIPTION |
|------|------------|-----|---------------------------------------|
| - | 209-8704 | - | CONTROL GP-IMPLEMENT [A] |
| 1 | CH162-6555 | 1 | LOCKNUT (M5X.8) |
| 2 | | 1 | HANDLE ASM (NOT SERVICED SEPARATELY) |
| 3 | CH206-2491 | 1 | SPRING-TORSION RH |
| 4 | | 1 | CONTROL ASM (NOT SERVICED SEPARATELY) |
| 5 | | - | (NOT USED) |
| 6 | CH8T-3016 | 1 | WASHER (5.3X10X1) |

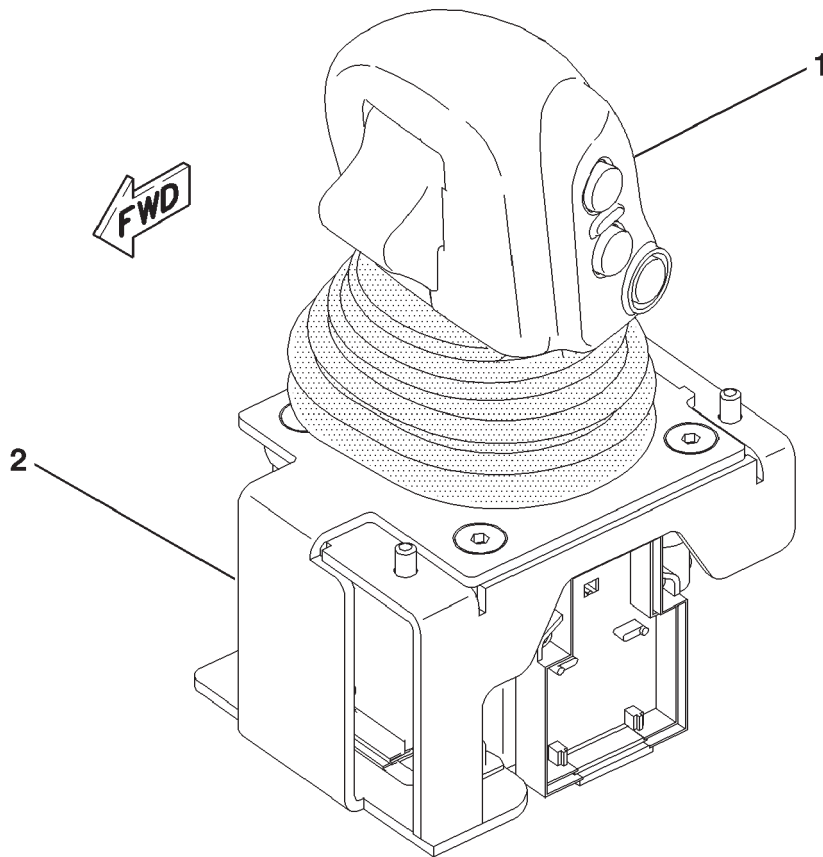
[A] PART OF 136-5355;152-0443;152-0448;
166-4590 CONTROL GP-IMPLEMENT

0894755A
PR: t05b22n43d0458

1046

MT800B SERIES TRACTORS
OPERATOR STATION

CONTROL GP-TRANSMISSION
169-6346



01696346

**MT800B SERIES TRACTORS
OPERATOR STATION**

1047

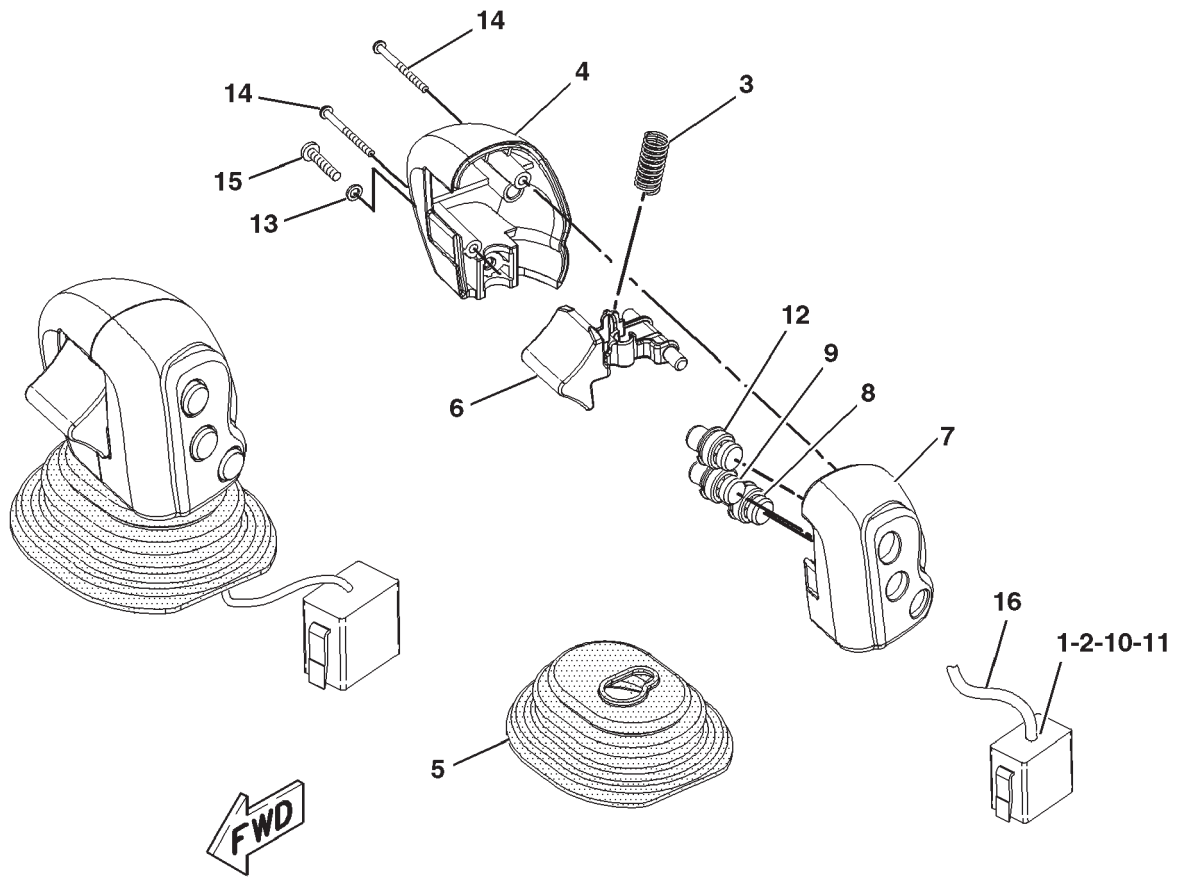
**CONTROL GP-TRANSMISSION
169-6346**

| ITEM | NUMBER | QTY | DESCRIPTION |
|------|----------|-----|--|
| - | 169-6346 | - | CONTROL GP-TRANSMISSION [A] (NOT SERVICED) |
| 1 | 169-6347 | 1 | CONTROL GP-TRANSMISSION (NOT SERVICED) (SEE BREAKDOWN FOR COMPONENTS) |
| 2 | 216-7694 | 1 | CONTROL GP-TRANSMISSION (NO SERVICED COMPONENTS) |

[A] PART OF 136-5477 WIRING GP-CONSOLE

01696346
PR: t05b22n43d0459

CONTROL GP-TRANSMISSION
169-6347



**MT800B SERIES TRACTORS
OPERATOR STATION**

1049

**CONTROL GP-TRANSMISSION
169-6347**

| ITEM | NUMBER | QTY | DESCRIPTION |
|------|------------|-----|--|
| - | 169-6347 | - | CONTROL GP-TRANSMISSION [A] (NOT SERVICED) |
| 1 | 400715X1 | 9 | SOCKET-CONNECTOR (16-18AWG) |
| 2 | CH9G-3695 | 3 | PLUG (GROMMET SEALING) |
| 3 | CH9S-1347 | 1 | SPRING |
| 4 | 164-7041 | 1 | HANDLE |
| 5 | 166-4553 | 1 | BOOT |
| 6 | 168-2334 | 1 | TRIGGER |
| 7 | 172-6869 | 1 | HANDLE ASM |
| 8 | 502640D1 | 1 | SWITCH ASM (AUTO SHIFT) |
| | 502122D1 | 1 | CAP-PUSHBUTTON |
| 9 | 502120D1 | 1 | SWITCH ASM (DOWN SHIFT) |
| | 502122D1 | 1 | CAP-PUSHBUTTON |
| 10 | CH155-2258 | 1 | WEDGE-PLUG LOCK (12 PIN) |
| 11 | CH155-2255 | 1 | KIT-CONNECTING PLUG (12 PIN) (SERVICED ONLY AS COMPLETE KIT) (INCLUDES WEDGE AND PLUG ASM) |
| 12 | 502121D1 | 1 | SWITCH ASM (UP SHIFT) |
| | 502122D1 | 1 | CAP-PUSHBUTTON |
| 13 | CH3B-4501 | 1 | LOCKWASHER (4.42X7.22X1.02MTHK) |
| 14 | 400073X1 | 2 | BOLT-HEX SCKT |
| 15 | CH6V-9492 | 1 | SCREW-MACHINE (M4X0.7X25MM) |
| 16 | | AR | LOOM (BLACK) (19CM) (NOT SERVICED) |

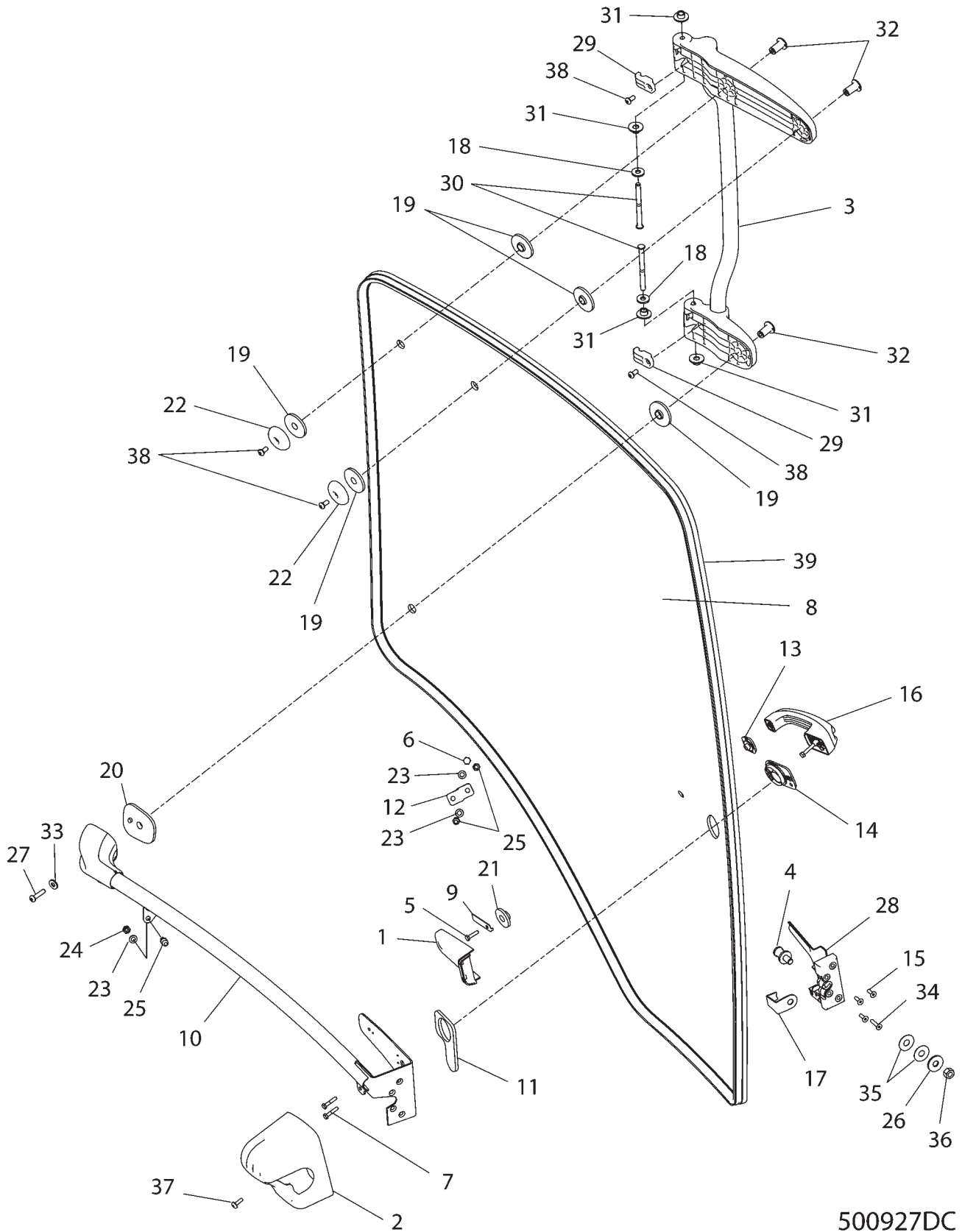
[A] PART OF 169-6346 CONTROL
GP-TRANSMISSION

1696347B
PR: t05b22n43d0460

1050

MT800B SERIES TRACTORS
OPERATOR STATION

DOOR GP-CAB (LH)
500927D1



500927DC

**MT800B SERIES TRACTORS
OPERATOR STATION**

1051

DOOR GP-CAB (LH)
500927D1

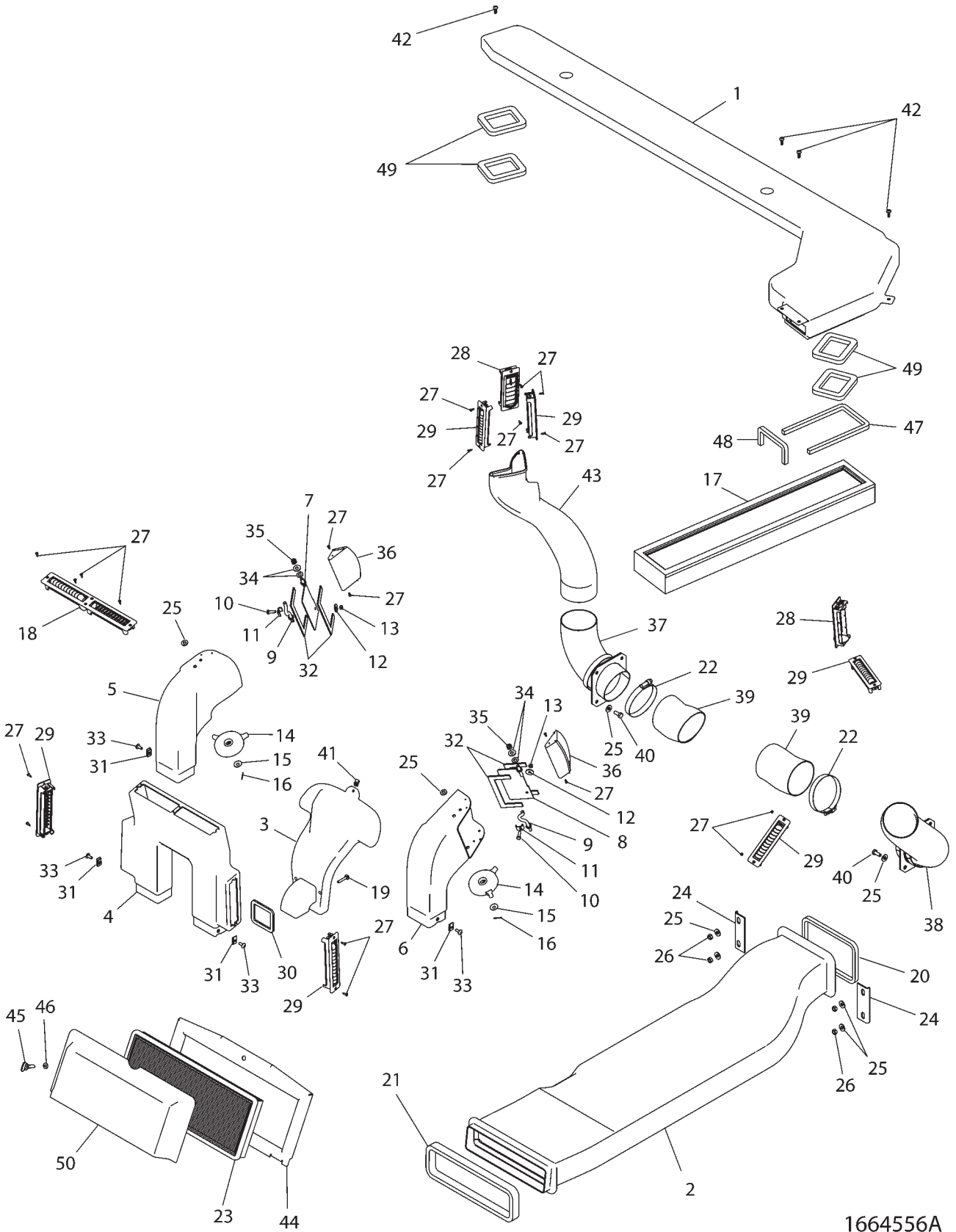
| ITEM | NUMBER | QTY | DESCRIPTION |
|------|------------|-----|--------------------------------|
| - | 500927D1 | - | DOOR GP-CAB [A] (NOT SERVICED) |
| 1 | 164-7013 | 1 | COVER |
| 2 | 164-7014 | 1 | COVER-DOOR LATCH (LH) |
| 3 | 164-7067 | 1 | HINGE AS-DOOR |
| 4 | 180-6240 | 1 | STRIKER AS.-LONG BODY |
| 5 | 400022X1 | 1 | BOLT-M6X1X25MM ZNDI HHD 10.9 |
| 6 | 400053X1 | 1 | BOLT-M8X1.25X20 ZNDI HHD 10.9 |
| 7 | 400065X1 | 2 | BOLT-M6X1X30MM ZNDI HHD 10.9 |
| 8 | 500625D1 | 1 | GLASS |
| 9 | 500660D1 | 1 | CLIP |
| 10 | 500931D1 | 1 | TUBE AS |
| 11 | 502010D1 | 1 | WASHER |
| 12 | 500957D1 | 1 | BRACKET |
| 13 | 500929D1 | 1 | GASKET |
| 14 | 502011D1 | 1 | GASKET |
| 15 | 400256X1 | 3 | BOLT-M6X1X20MM PL FLSHD 12.9 |
| 16 | 500658D1 | 1 | HANDLE AS |
| | CH5P-8500 | 1 | KEY |
| 17 | 123-0380 | 1 | GUARD-STRIKER |
| 18 | 500624D1 | 2 | WASHER-M10 NYLON |
| 19 | 400330X1 | 5 | WASHER 15 ID W/LID |
| 20 | 400331X1 | 1 | WASHER-DOOR |
| 21 | 400332X1 | 1 | WASHER (DOOR HANDLE) |
| 22 | 400333X1 | 2 | WASHER-HINGE |
| 23 | 400339X1 | 3 | WASHER-HARD |
| 24 | 400340X1 | 2 | NUT-M8X1.25X13 HEX ZND1 |
| 25 | CH090-9554 | 2 | STUD-BALL |
| 26 | CH140-5181 | 1 | WASHER-13IDX35ODX3.2MM |
| 27 | CH142-2304 | 1 | SCREW-BTN HD M8X1.25X35 ZNDI |
| 28 | CH164-7057 | 1 | LATCH AS.-LH |
| 29 | CH164-7070 | 2 | CLAMP |
| 30 | CH166-4573 | 2 | PIN-HINGE (DOOR) |
| 31 | CH166-4574 | 4 | BUSHING-HINGE (DOOR) |
| 32 | CH169-6392 | 3 | BOSS |
| 33 | CH3E-4352 | 1 | WASHER-HARD 8.8IDX20.5ODX2.5MM |
| 34 | CH8C-6802 | 1 | SCREW-FLHD M6X1X30 HHD 12.9 |
| 35 | CH8T-0318 | 2 | SHIM-35 ODX13.5 IDX0.8 ZN |
| 36 | CH8T-4244 | 1 | NUT-M12X1.75 HEX ZN |
| 37 | CH9X-2045 | 1 | SCREW-M6X1X20 MM ORG TORX T30 |
| 38 | CH9X-2616 | 4 | SCREW-BTNHD M8X1.25X16 ORG12.9 |
| 39 | CH208-2404 | AR | SEAL-BULK (520 CM) |

[A] PART OF: 152-0001;152-0002
152-0003;152-0004 CAB GP

500927DC
PR: t05b22n43d0461

MT800B SERIES TRACTORS
OPERATOR STATION

DUCT GP-CAB AIR
166-4556



**MT800B SERIES TRACTORS
OPERATOR STATION**

1053

**DUCT GP-CAB AIR
166-4556**

| ITEM | NUMBER | QTY | DESCRIPTION |
|------|------------|-----|--------------------------------------|
| - | 166-4556 | - | FILTER GP-CAB AIR [A] (NOT SERVICED) |
| 1 | 162-6691 | 1 | DUCT-ROOF |
| 2 | 166-4617 | 1 | DUCT-CENTER |
| 3 | 169-6337 | 1 | DUCT-FRONT (LOWER) |
| 4 | 504445D1 | 1 | DUCT-FRONT (DEFROST) |
| 5 | 164-7023 | 1 | DUCT-RH |
| 6 | 166-4595 | 1 | DUCT-LH |
| 7 | 179-4221 | 1 | BRACKET ASM-LH |
| 8 | 179-4223 | 1 | BRACKET ASM-RH |
| 9 | 179-4225 | 2 | ROD ASM |
| 10 | 400221X1 | 2 | BOLT (M6X1X20MM) |
| 11 | 214-4667 | 2 | PLATE |
| 12 | CH117-8929 | 2 | WASHER-HARD (6.6IDX22ODX2) |
| 13 | 400300X1 | 2 | NUT (M6X1) |
| 14 | 162-6734 | 2 | WHEEL |
| 15 | CH9T-2281 | 2 | SPRING |
| 16 | CH3B-4605 | 2 | PIN-COTTER |
| 17 | 501881D1 | 1 | FILTER-AIR (CAB-OUTSIDE) |
| 18 | CH164-8478 | 1 | LOUVER ASM |
| 19 | CH9X-2046 | 2 | SCREW-TRUSS HEAD (M6X1X35MM) |
| 20 | 178-7974 | 1 | GASKET |
| 21 | 501210D1 | 1 | GASKET |
| 22 | 400127X1 | 6 | CLAMP-HOSE |
| 23 | 501153D1 | 1 | FILTER-AIR (CAB-RECIRCULATION) |
| 24 | 169-6373 | 2 | CLAMP-CENTER DUCT |
| 25 | 400599X1 | 14 | WASHER-HARD (8.8X20.5X2) |
| 26 | 400340X1 | 4 | NUT (M8X1.25) |
| 27 | CH104-2091 | 26 | SCREW-FLAT HEAD (6-20X0.5 IN) |
| 28 | 501826D1 | 3 | LOUVER ASM |
| 29 | CH171-4047 | 6 | LOUVER ASM |
| 30 | 187-4906 | 1 | GASKET |
| 31 | 400085X1 | 4 | NUT (U-TYPE RETAINER) |
| 32 | 187-4921 | 4 | SEAL |
| 33 | CH9X-2044 | 4 | SCREW-TRUSS HEAD (M6X1X16MM) |
| 34 | 214-1118 | 4 | SPACER (8.4X18X2) |
| 35 | CH131-3540 | 2 | LOCKNUT |
| 36 | 197-3083 | 2 | PLATE |
| 37 | 201-1186 | 1 | ADAPTER ASM-RH |
| | 210-3258 | 1 | ADAPTER-CONDITIONER |
| | 210-3292 | 1 | GASKET |
| | CH203-6970 | 1 | CLAMP |
| 38 | 203-6965 | 1 | ADAPTER ASM-LH |
| | 210-3258 | 1 | ADAPTER-CONDITIONER |
| | 210-3292 | 1 | GASKET |
| | CH203-6970 | 1 | CLAMP |
| 39 | 203-6966 | 2 | HOSE |

CONTINUED

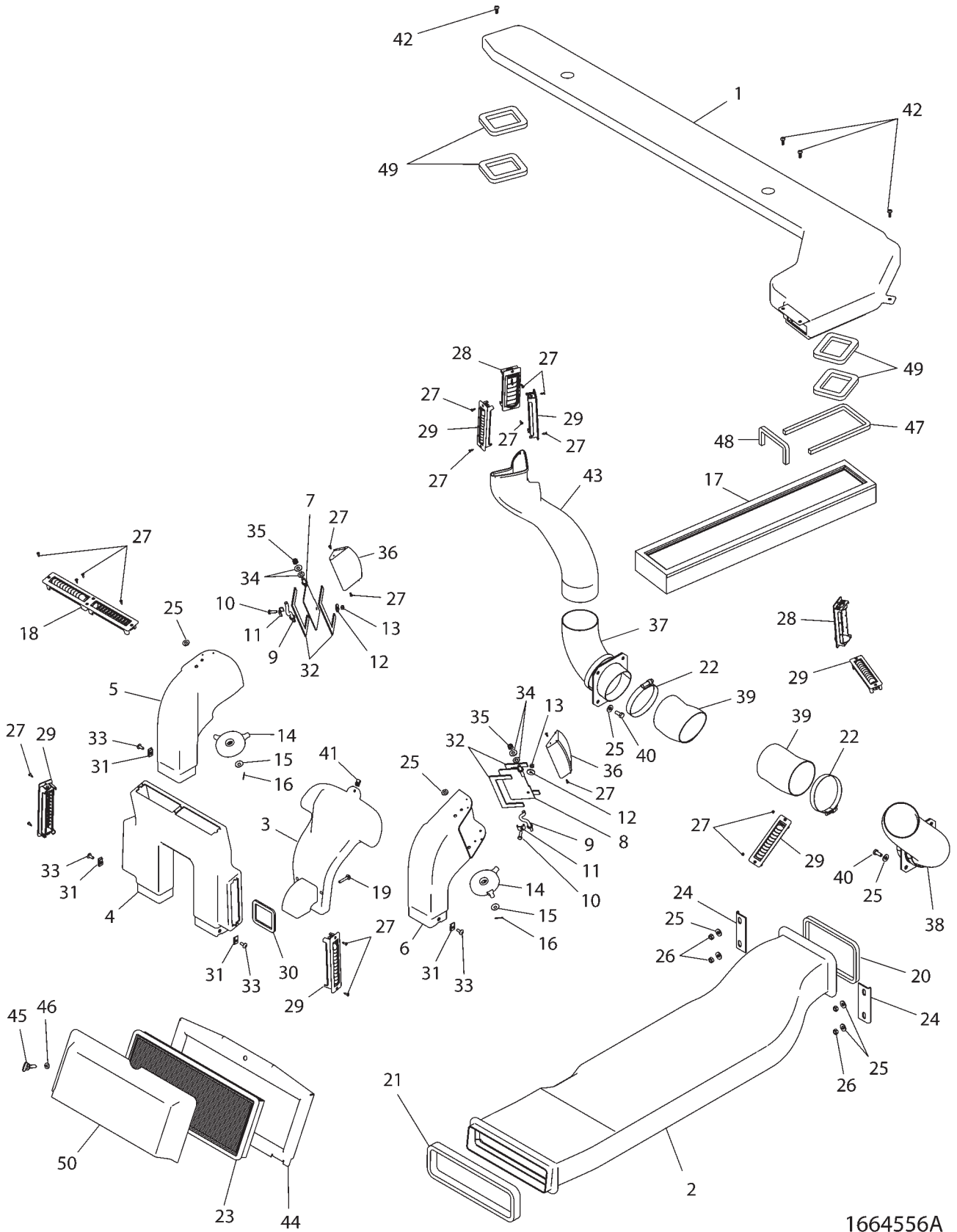
[A] PART OF 151-9986; 166-4592; 502501D1
AIR CONDITIONER & MOUNTING GP

1664556A
PR: t05b22n43d0462

1054

MT800B SERIES TRACTORS
OPERATOR STATION

DUCT GP-CAB AIR
166-4556



1664556A

**MT800B SERIES TRACTORS
OPERATOR STATION**

1055

**DUCT GP-CAB AIR
166-4556**

| ITEM | NUMBER | QTY | DESCRIPTION |
|------|------------|-----|--------------------------------------|
| - | 166-4556 | - | FILTER GP-CAB AIR [A] (NOT SERVICED) |
| 40 | 400053X1 | 8 | BOLT (M8X1.25X20MM) |
| 41 | 400084X1 | 1 | NUT (U-TYPE RETAINER) |
| 42 | CH210-4352 | 4 | SCREW-PAN HEAD |
| 43 | 180-5239 | 1 | DUCT-RH |
| 44 | 202-0848 | 1 | COVER |
| 45 | CH216-9165 | 1 | THUMBSCREW |
| 46 | CH2R-2376 | 1 | WASHER (7X16X.8) |
| 47 | 217-3513 | 1 | SEAL |
| 48 | 217-3514 | 1 | SEAL |
| 49 | 222-4774 | 4 | GASKET |
| 50 | 225-1406 | 1 | COVER-FILTER |

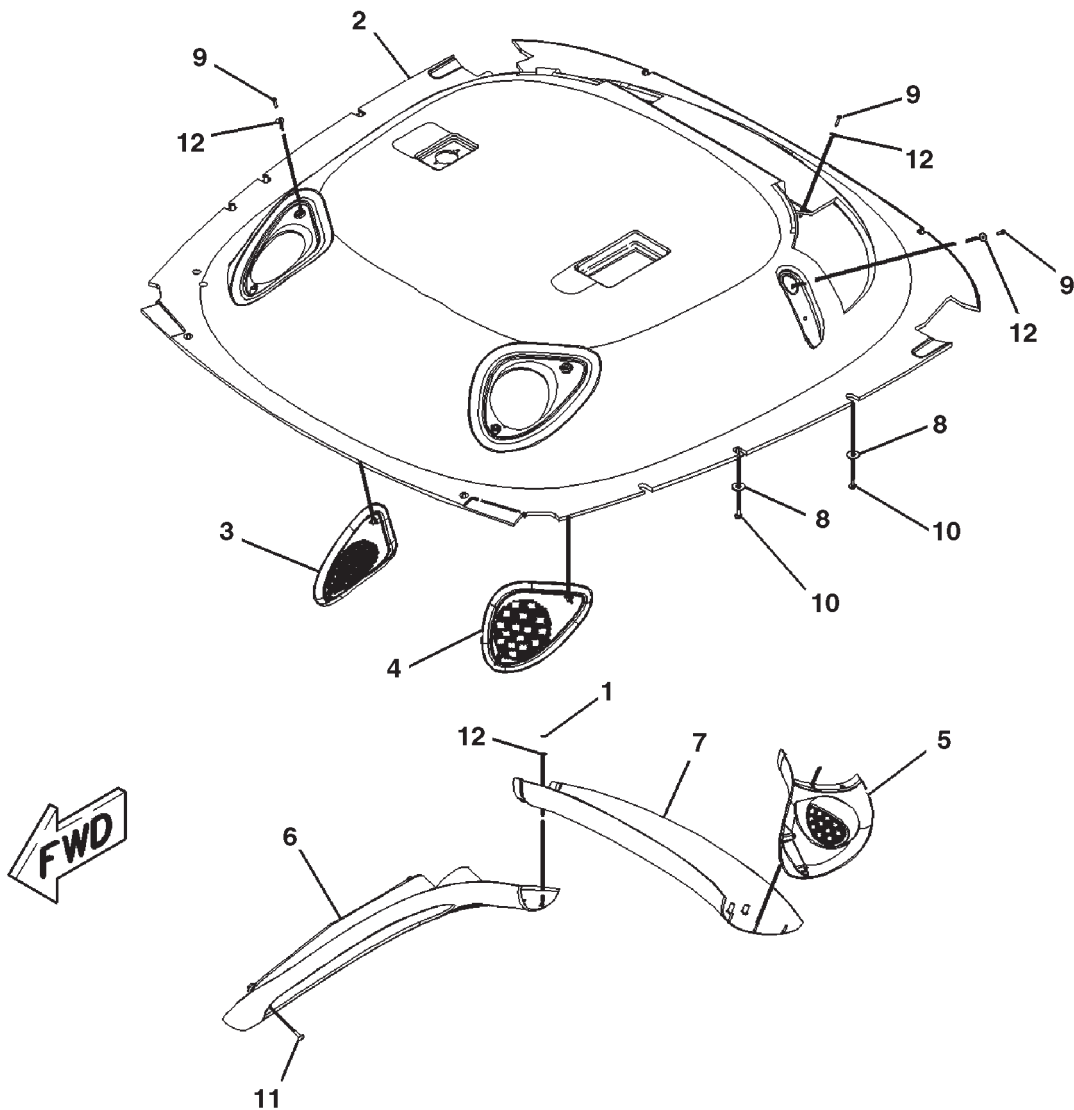
[A] PART OF 151-9986; 166-4592; 502501D1
AIR CONDITIONER & MOUNTING GP

1664556A
PR: t05b22n43d0462

1056

MT800B SERIES TRACTORS
OPERATOR STATION

HEADLINER GP - 152-0418



0842870A

**MT800B SERIES TRACTORS
OPERATOR STATION**

1057

HEADLINER GP - 152-0418

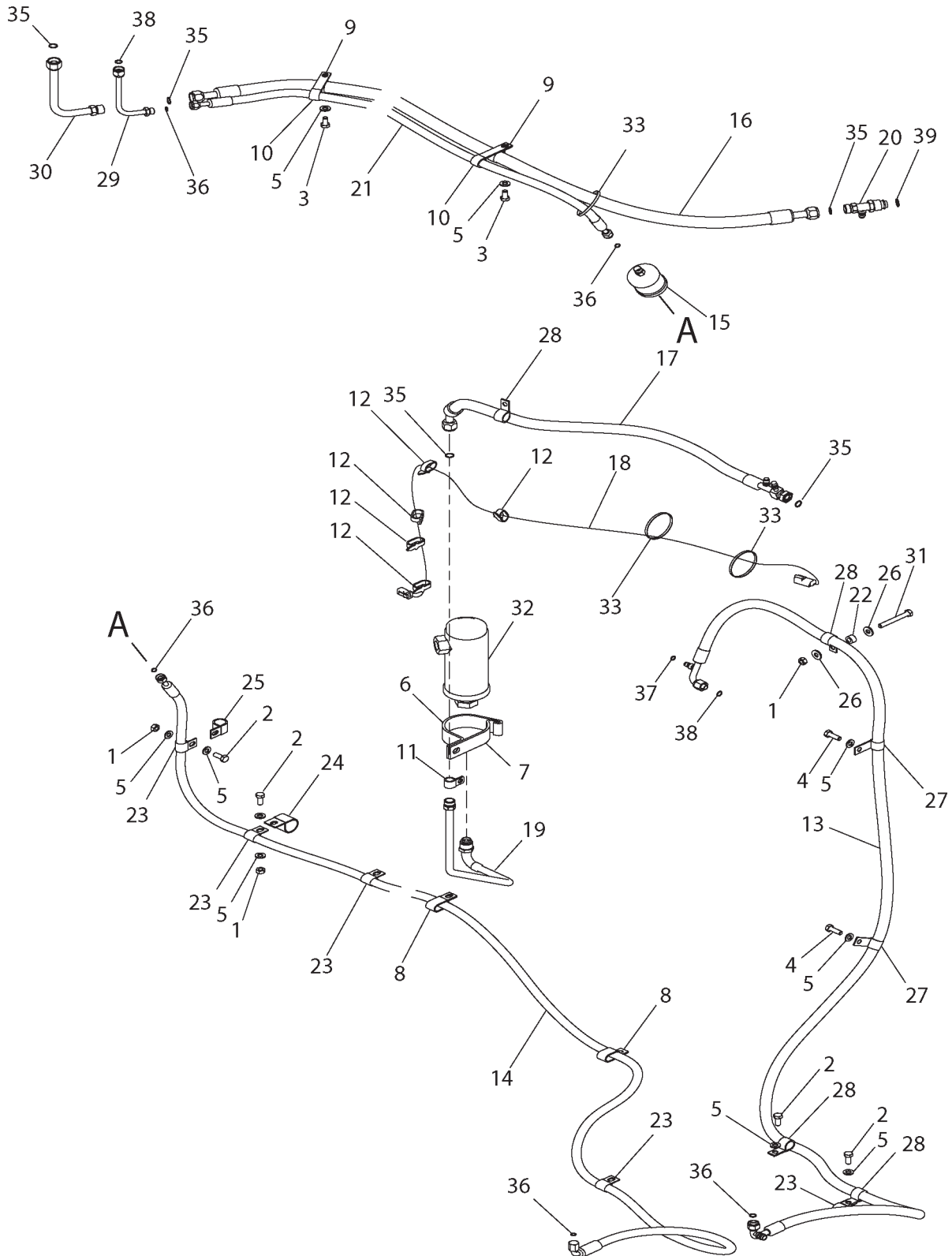
| ITEM | NUMBER | QTY | DESCRIPTION |
|------|------------|-----|---------------------------------|
| - | 152-0418 | - | HEADLINER GP [A] (NOT SERVICED) |
| 1 | CH4V-2264 | 5 | NUT-PUSH |
| 2 | 162-6687 | 1 | HEADLINER |
| 3 | 162-6688 | 1 | COVER-FRONT SPEAKER (RH) |
| 4 | 162-6689 | 1 | COVER-FRONT SPEAKER (LH) |
| 5 | 162-6690 | 1 | COVER-REAR SPEAKER (LH) |
| 6 | 162-6692 | 1 | BEZEL |
| 7 | 168-2305 | 1 | COVER-REAR |
| 8 | CH101-2867 | 10 | WASHER-HARD (8.8X25.5X2M THK) |
| 9 | CH119-5026 | 10 | SCREW-PAN HEAD (10-16X0.63 IN) |
| 10 | CH9X-2044 | 10 | SCREW-TRUSS HEAD (M6X1X16MM) |
| 11 | CH9X-2045 | 4 | SCREW-TRUSS HEAD (M6X1X20MM) |
| 12 | 400076X1 | 15 | WASHER (5X16X1.2) |

[A] PART OF 152-0012; 152-0013;
222-4146; 500841D1 CAB AR

0842870A
PR: t05b22n43d0463

MT800B SERIES TRACTORS
OPERATOR STATION

LINES GP-A/C - 501579D1
MT835B, MT845B, MT855B & MT865B



**MT800B SERIES TRACTORS
OPERATOR STATION**

1059

**LINES GP-A/C - 501579D1
MT835B, MT845B, MT855B & MT865B**

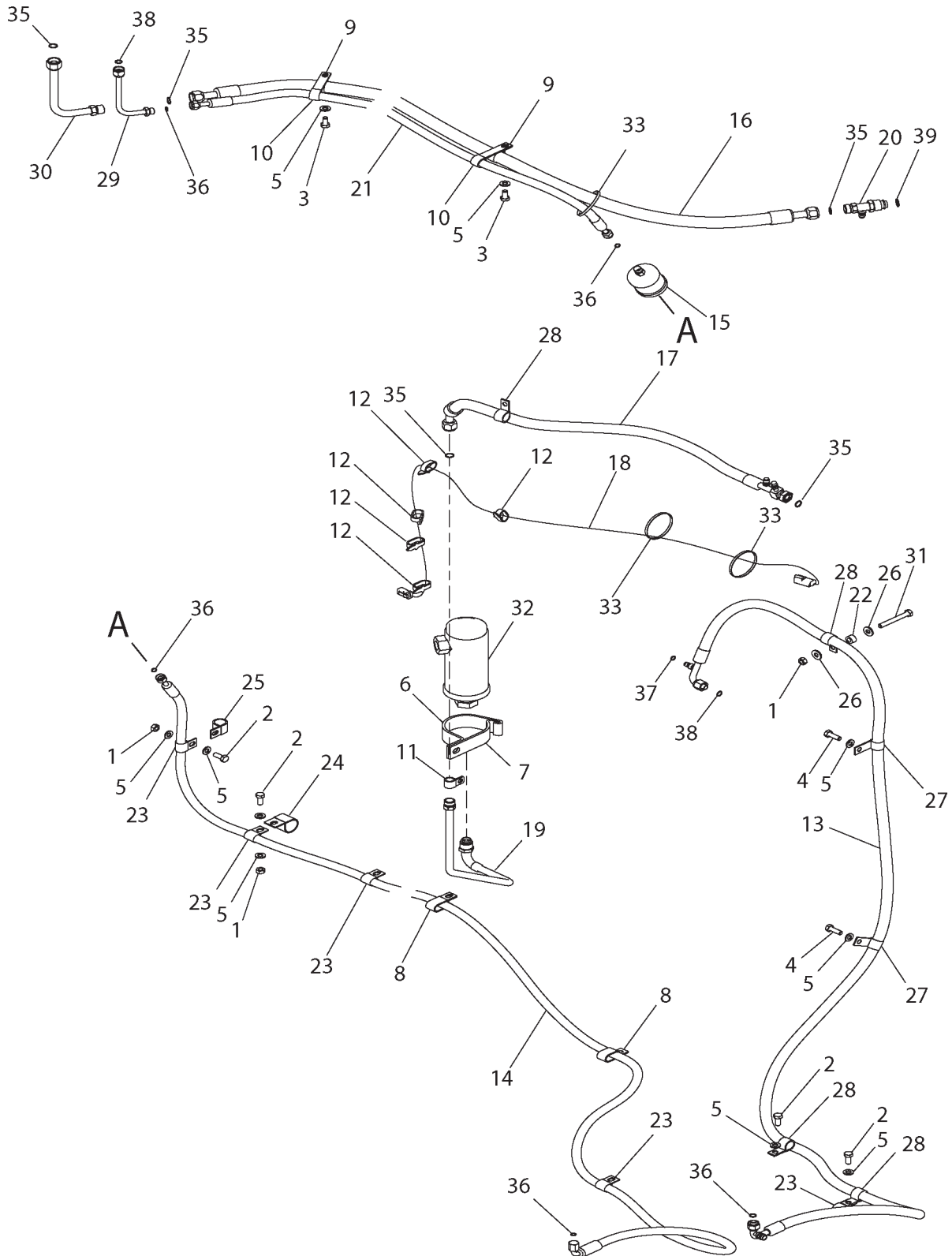
| ITEM | NUMBER | QTY | DESCRIPTION |
|------|------------|-----|---------------------------------|
| - | 501579D1 | - | LINES GP-A/C [A] (NOT SERVICED) |
| 1 | 7774664 | 3 | NUT-M10-1.5,CL10.9,ZN,H,REG |
| 2 | 400039X1 | 4 | BOLT-M10X1.5X25 ZNDI HHD 10.9 |
| 3 | 400040X1 | 2 | BOLT-M10X1.5X20 ZNDI HHD 10.9 |
| 4 | 400058X1 | 2 | BOLT-M10X1.5X30 ZNDI HHD 10.9 |
| 5 | 400287X1 | 10 | WASHER-HARD 11IDX21ODX2.5 ZND1 |
| 6 | 400603X1 | 1 | CLIP-2 PIECE BOTTOM 88.9 OD |
| 7 | 400604X1 | 1 | CLIP-2 PIECE TOP 88.9 OD |
| 8 | 400665X1 | 2 | CLIP-LOOP 19ID X 2 |
| 9 | 400695X1 | 2 | CLIP-LOOP 20.64ID |
| 10 | 400700X1 | 2 | CLIP LOOP 28.58ID |
| 11 | 400702X1 | 1 | CLIP-ONE TUBE COATED |
| 12 | 400837X1 | 5 | STRAP-CABLE (PLASTIC) |
| 13 | 500976D1 | 1 | HOSE AS. (FOR |
| 14 | 500977D1 | 1 | HOSE AS. (FOR |
| 15 | 500978D1 | 1 | FILTER-A/C |
| 16 | 500990D1 | 1 | HOSE AS. (FOR |
| 17 | 502041D1 | 1 | HOSE AS. (FOR 12.7 ID |
| 18 | 502042D1 | 1 | HARNES AS.-JUMPER |
| 19 | 502043D1 | 1 | TUBE AS.-A/C |
| 20 | 502045D1 | 1 | ADAPTER-A/C |
| 21 | 502048D1 | 1 | HOSE AS. (FOR |
| 22 | CH114-5785 | 1 | SPACER 10.5 IDX19 ODX11.5 ZN |
| 23 | CH3S-8664 | 5 | CLIP-LOOP 19.05 ID |
| 24 | CH4D-7388 | 1 | CLIP-LOOP 34.9 ID |
| 25 | CH4S-1962 | 1 | CLIP-LOOP 25.4 ID |
| 26 | CH7X-7729 | 2 | WASHER-11IDX5ODX3MM |
| 27 | CH8S-0948 | 2 | CLIP-LOOP-20.64 ID |
| 28 | CH9X-8250 | 4 | CLIP-LOOP 23.8 ID |
| 29 | 195-4512 | 1 | TUBE AS |
| 30 | 195-4513 | 1 | TUBE AS |
| 31 | 400044X1 | 1 | BOLT-M10X1.5X80 ZNDI HHD 10.9 |
| 32 | 500758D1 | 1 | ACCUMULATOR DRYER-A/C |
| 33 | CH7K-1181 | 3 | STRAP-CABLE 0.19-4.00 |
| 34 | | | (NOT USED) |
| 35 | CH9X-7382 | 5 | SEAL-O-RING |
| 36 | CH9X-7380 | 5 | SEAL-O-RING |
| 37 | CH9X-7378 | 1 | SEAL-O-RING |
| 38 | CH9X-7381 | 3 | SEAL-O-RING |
| 39 | CH9X-7383 | 1 | SEAL-O-RING |

[A] PART OF:
501583D1; 501854D1; 501585D1;
501586D1 INSTALLATION AR

501579DC
PR: t05b22n43d0464

MT800B SERIES TRACTORS
OPERATOR STATION

LINES GP-A/C - 502733D1
MT875B



MT800B SERIES TRACTORS
OPERATOR STATION

1061

LINES GP-A/C - 502733D1
MT875B

| ITEM | NUMBER | QTY | DESCRIPTION |
|------|------------|-----|-------------------------------------|
| - | 502733D1 | - | LINES GP-A/C (NOT SERVICED) |
| 1 | 7774664 | 3 | NUT-M10-1.5,CL10.9,ZN,H,REG |
| 2 | 400039X1 | 4 | BOLT-M10X1.5X25 ZNDI HHD 10.9 |
| 3 | 400040X1 | 2 | BOLT-M10X1.5X20 ZNDI HHD 10.9 |
| 4 | 400058X1 | 2 | BOLT-M10X1.5X30 ZNDI HHD 10.9 |
| 5 | 400287X1 | 10 | WASHER-HARD 11IDX21ODX2.5 ZND1 |
| 6 | 400603X1 | 1 | CLIP-2 PIECE BOTTOM 88.9 OD |
| 7 | 400604X1 | 1 | CLIP-2 PIECE TOP 88.9 OD |
| 8 | 400665X1 | 2 | CLIP-LOOP 19ID X 2 |
| 9 | 400695X1 | 2 | CLIP-LOOP 20.64ID |
| 10 | 400700X1 | 2 | CLIP LOOP 28.58ID |
| 11 | 400702X1 | 1 | CLIP-ONE TUBE COATED |
| 12 | 400837X1 | 5 | STRAP-CABLE (PLASTIC) |
| 13 | 500976D1 | 1 | HOSE AS. (FOR |
| 14 | 500977D1 | 1 | HOSE AS. (FOR |
| 15 | 500978D1 | 1 | FILTER-A/C |
| 16 | 500990D1 | 1 | HOSE AS. (FOR |
| 17 | 502041D1 | 1 | HOSE AS. (FOR 12.7 ID |
| 18 | 502042D1 | 1 | HARNES AS.-JUMPER |
| 19 | 502043D1 | 1 | TUBE AS.-A/C |
| 20 | 502045D1 | 1 | ADAPTER-A/C |
| 21 | 502048D1 | 1 | HOSE AS. (FOR |
| 22 | CH114-5785 | 1 | SPACER 10.5 IDX19 ODX11.5 ZN |
| 23 | CH3S-8664 | 5 | CLIP-LOOP 19.05 ID |
| 24 | CH4D-7388 | 2 | CLIP-LOOP 34.9 ID |
| 25 | CH4S-1962 | 1 | CLIP-LOOP 25.4 ID |
| 26 | CH7X-7729 | 2 | WASHER-11IDX5ODX3MM |
| 27 | CH8S-0948 | 2 | CLIP-LOOP-20.64 ID |
| 28 | CH9X-8250 | 4 | CLIP-LOOP 23.8 ID |
| 29 | 195-4512 | 1 | TUBE AS |
| 30 | 195-4513 | 1 | TUBE AS |
| 31 | 400044X1 | 1 | BOLT-M10X1.5X80 ZNDI HHD 10.9 |
| 34 | 500758D1 | 1 | ACCUMULATOR DRYER-A/C |
| 35 | CH7K-1181 | 3 | STRAP-CABLE 0.19-4.00 (NOT USED) |
| 35 | CH9X-7382 | 5 | SEAL-O-RING |
| 36 | CH9X-7380 | 5 | SEAL-O-RING |
| 37 | CH9X-7378 | 1 | SEAL-O-RING |
| 38 | CH9X-7381 | 3 | SEAL-O-RING |
| 39 | CH9X-7383 | 1 | SEAL-O-RING |

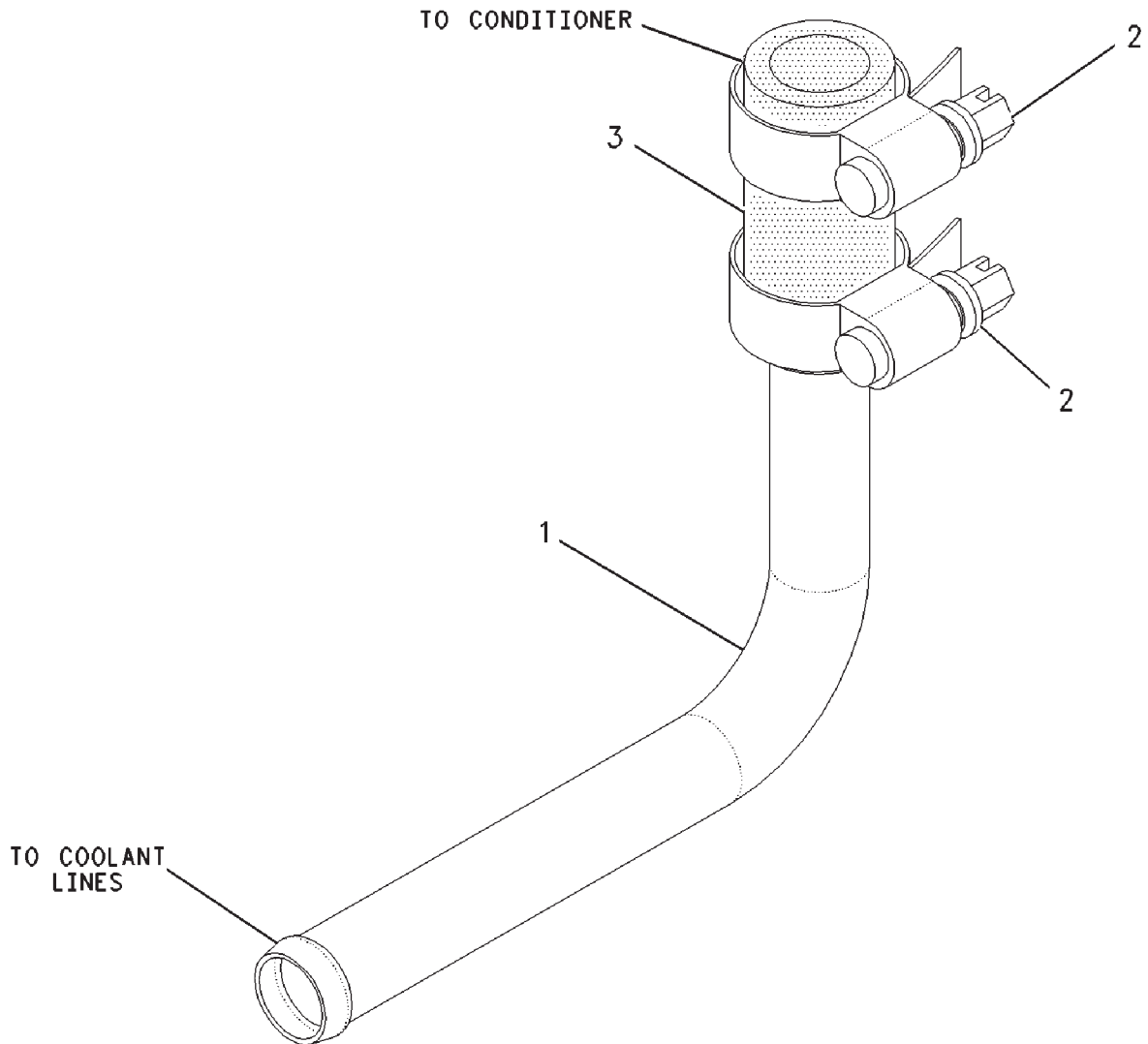
PART OF 501587D1 INSTALLATION AR

501579DC
PR: t05b22n43d0465

1062

MT800B SERIES TRACTORS
OPERATOR STATION

LINES GP-HEATER - 208-2880



00893577

**MT800B SERIES TRACTORS
OPERATOR STATION**

1063

LINES GP-HEATER - 208-2880

| ITEM | NUMBER | QTY | DESCRIPTION |
|------|------------|-----|------------------------------------|
| - | 208-2880 | - | LINES GP-HEATER [A] (NOT SERVICED) |
| 1 | CH208-2878 | 1 | ELBOW |
| 2 | 400108X1 | 2 | CLAMP-HOSE |
| 3 | CH5P-0767 | AR | HOSE (5 CM) |

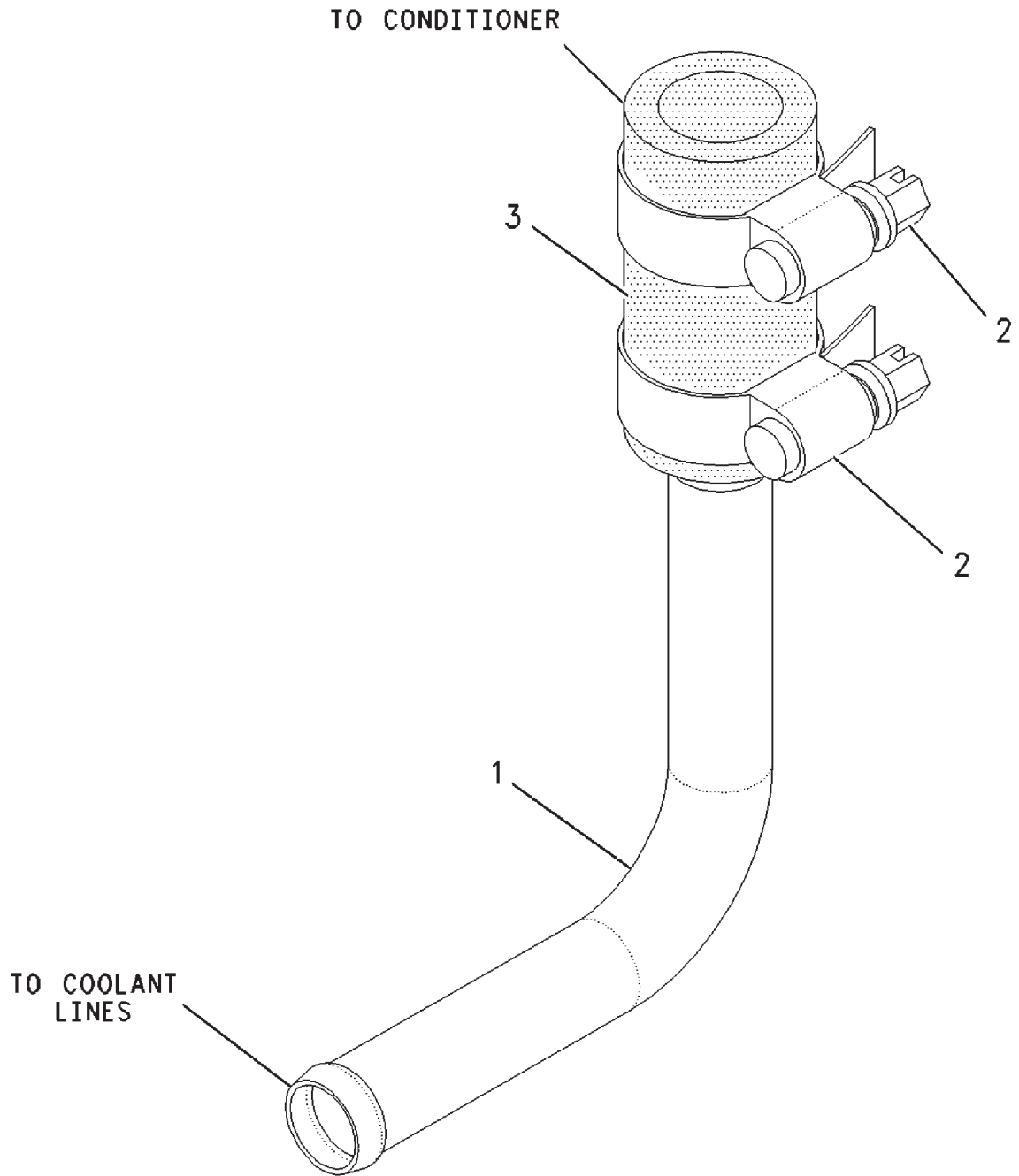
[A] PART OF 152-0009; 152-0013;
500764D1; 500842D1; 500844D1;
502660D1; 502662D1 CAB AR

00893577
PR: t05b22n43d0466

1064

MT800B SERIES TRACTORS
OPERATOR STATION

LINES GP-HEATER - DELUXE
208-2881



00893020

**MT800B SERIES TRACTORS
OPERATOR STATION**

1065

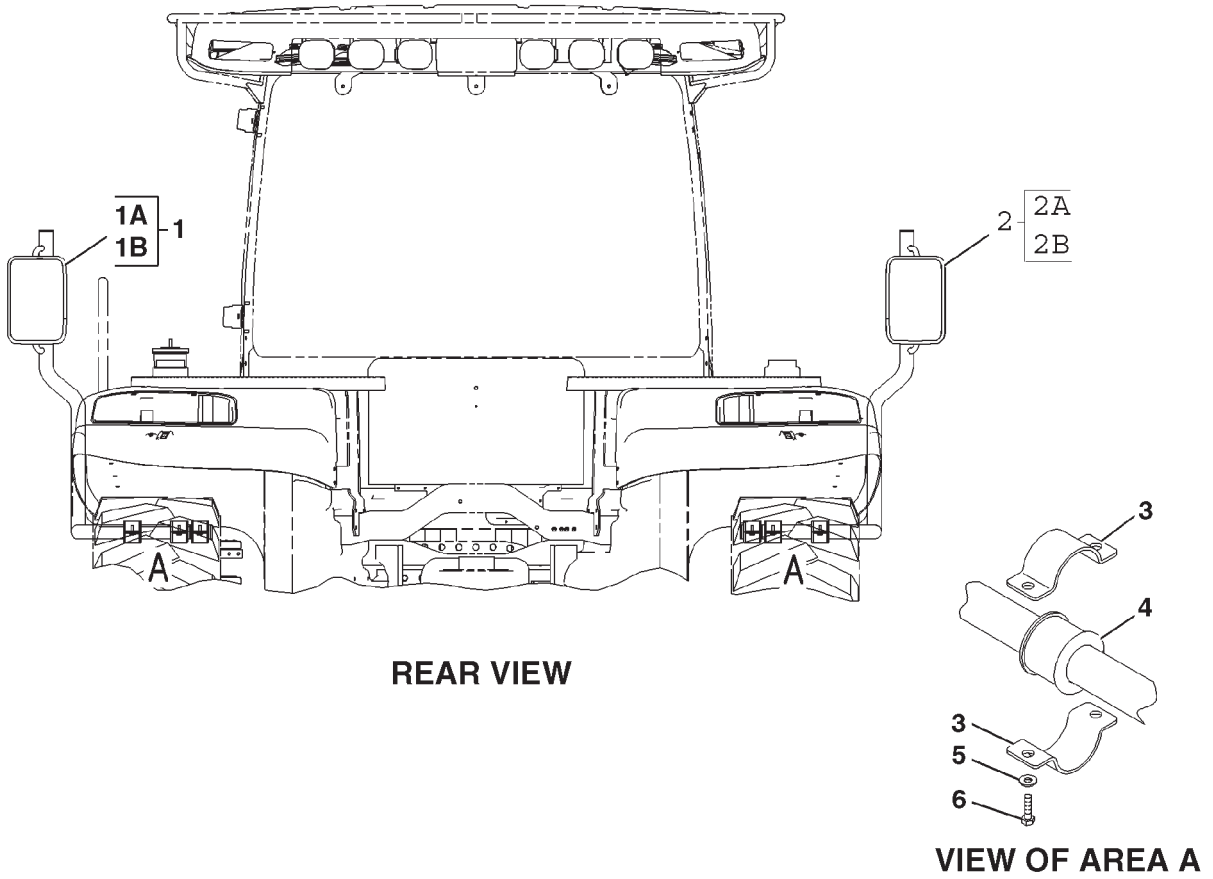
**LINES GP-HEATER - DELUXE
208-2881**

| ITEM | NUMBER | QTY | DESCRIPTION |
|------|----------|-----|-----------------------------------|
| - | 208-2881 | - | LINE GP-HEATER [A] (NOT SERVICED) |
| 1 | 195-4520 | 1 | TUBE |
| 2 | 400125X1 | 2 | CLAMP-HOSE |
| 3 | 501738D1 | AR | HOSE (6CM) |

[A] PART OF 152-0012; 222-4146 CAB AR

00893020
PR: t05b22n43d0467

MIRROR GP-REAR VIEW - 209-5607
MANUAL ADJUSTMENT



**MT800B SERIES TRACTORS
OPERATOR STATION**

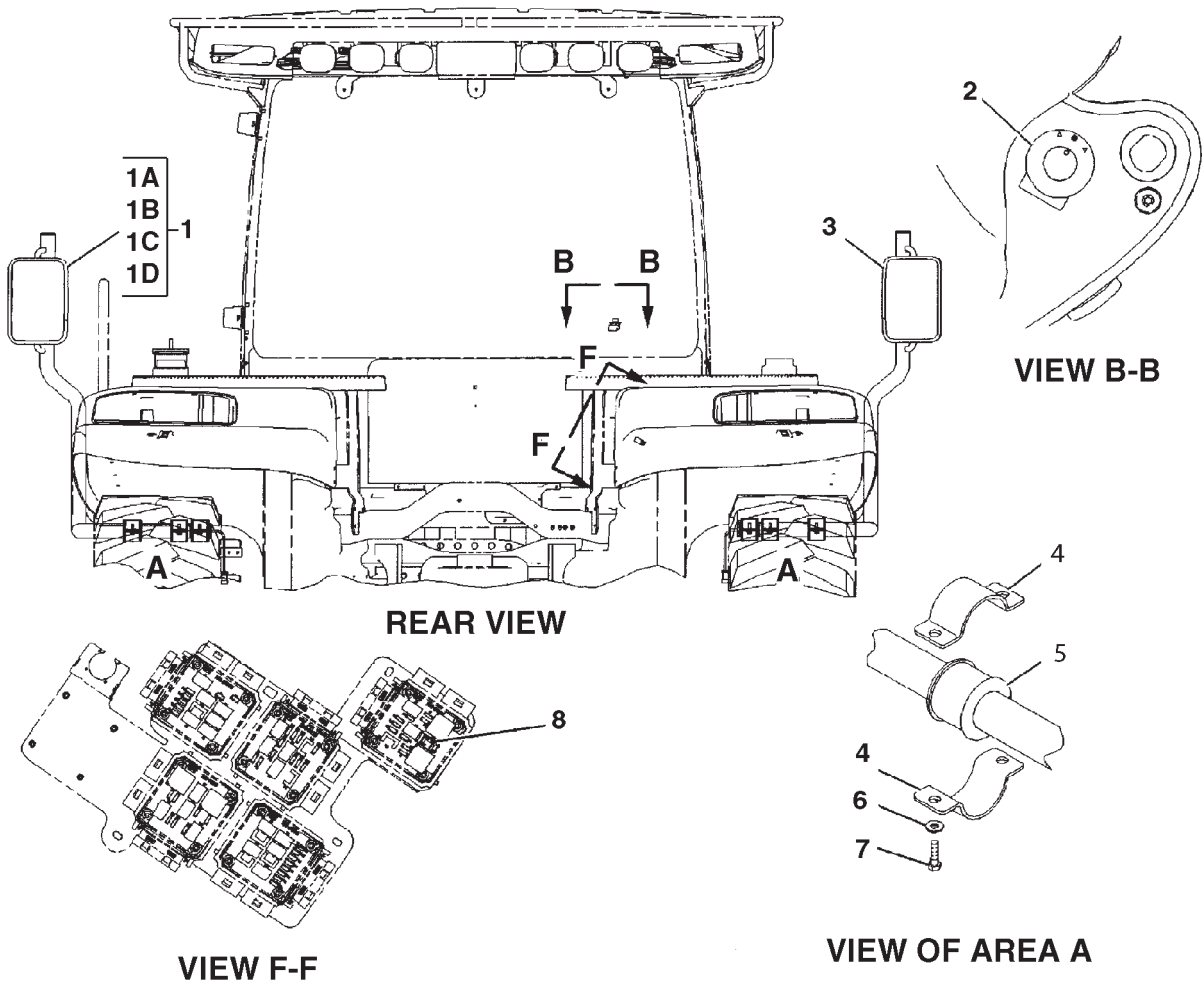
1067

**MIRROR GP-REAR VIEW - 209-5607
MANUAL ADJUSTMENT**

| ITEM | NUMBER | QTY | DESCRIPTION |
|------|------------|-----|--|
| - | 209-5607 | - | MIRROR GP-REAR VIEW [A] (NOT SERVICED, ORDER FIELD INSTALLED) |
| - | 502776D1 | - | MIRROR GP-REAR VIEW (FIELD INSTALLED) |
| 1 | 206-0586 | 1 | MIRROR ASM-REAR VIEW (LH) (INCLUDES 1A & 1B) |
| 1A | 206-0581 | 1 | SUPPORT ASM-LH (W/PLUGS) |
| | 502509D1 | 2 | PLUG-TUBE |
| | 502510D1 | 1 | PLUG-TUBE (W/HOLE) |
| 1B | 206-0578 | 1 | MIRROR ASM |
| 2 | 209-5605 | 1 | MIRROR GP-REAR VIEW (RH) (INCLUDES 2A & 2B) |
| 2A | 209-5604 | 1 | SUPPORT ASM-RH (W/PLUGS) |
| | 502509D1 | 2 | PLUG-TUBE |
| | 502510D1 | 1 | PLUG-TUBE (W/HOLE) |
| 2B | 206-0578 | 1 | MIRROR ASM |
| 3 | CH209-9233 | 16 | CLAMP |
| 4 | 400111X1 | 8 | GROMMET |
| 5 | 400599X1 | 16 | WASHER-HARD (8.8X20.5X2) |
| 6 | 400245X1 | 16 | BOLT (M8X1.25X30MM) |

0852423B
PR: t05b22n43d0468

MIRROR GP-REAR VIEW - 209-5608
POWER ADJUSTMENT & HEATED



**MT800B SERIES TRACTORS
OPERATOR STATION**

1069

**MIRROR GP-REAR VIEW - 209-5608
POWER ADJUSTMENT & HEATED**

| ITEM | NUMBER | QTY | DESCRIPTION |
|------|------------|-----|---|
| - | 209-5608 | - | MIRROR GP-REAR VIEW [A] (NOT SERVICED) |
| 1 | 206-0584 | 1 | MIRROR ASM-REAR VIEW (LH) (INCLS 1A-1D) |
| 1A | CH102-8805 | 1 | KIT-RECEPTACLE (6 PIN) |
| 1B | 206-0580 | 1 | HARNES ASM (REAR VIEW MIRROR) |
| 1C | 206-0581 | 1 | SUPPORT ASM (LH) (W/PLUGS) |
| | 502509D1 | 2 | PLUG-TUBE |
| | 502510D1 | 1 | PLUG-TUBE (W/HOLE) |
| 1D | 206-0579 | 1 | MIRROR |
| | 207-0511 | 1 | GLASS-MIRROR |
| 2 | 207-2038 | 1 | SWITCH |
| 3 | 209-5606 | 1 | MIRROR GP-REAR VIEW (RH) |
| | CH102-8805 | 1 | KIT-RECEPTACLE (6 PIN) |
| | 206-0580 | 1 | HARNES (REAR VIEW MIRROR) |
| | 209-5604 | 1 | SUPPORT (RH) (W/PLUGS) |
| | 502509D1 | 2 | PLUG-TUBE |
| | 502510D1 | 1 | PLUG-TUBE (W/HOLE) |
| | 206-0579 | 1 | MIRROR |
| | 207-0511 | 1 | GLASS-MIRROR |
| 4 | CH209-9233 | 16 | CLAMP |
| 5 | 400111X1 | 8 | GROMMET |
| 6 | 400599X1 | 16 | WASHER-HARD (8.8X20.5X2) |
| 7 | 400245X1 | 16 | BOLT (M8X1.25X30MM) |
| 8 | CH146-9439 | 1 | RELAY (12 VOLT) |

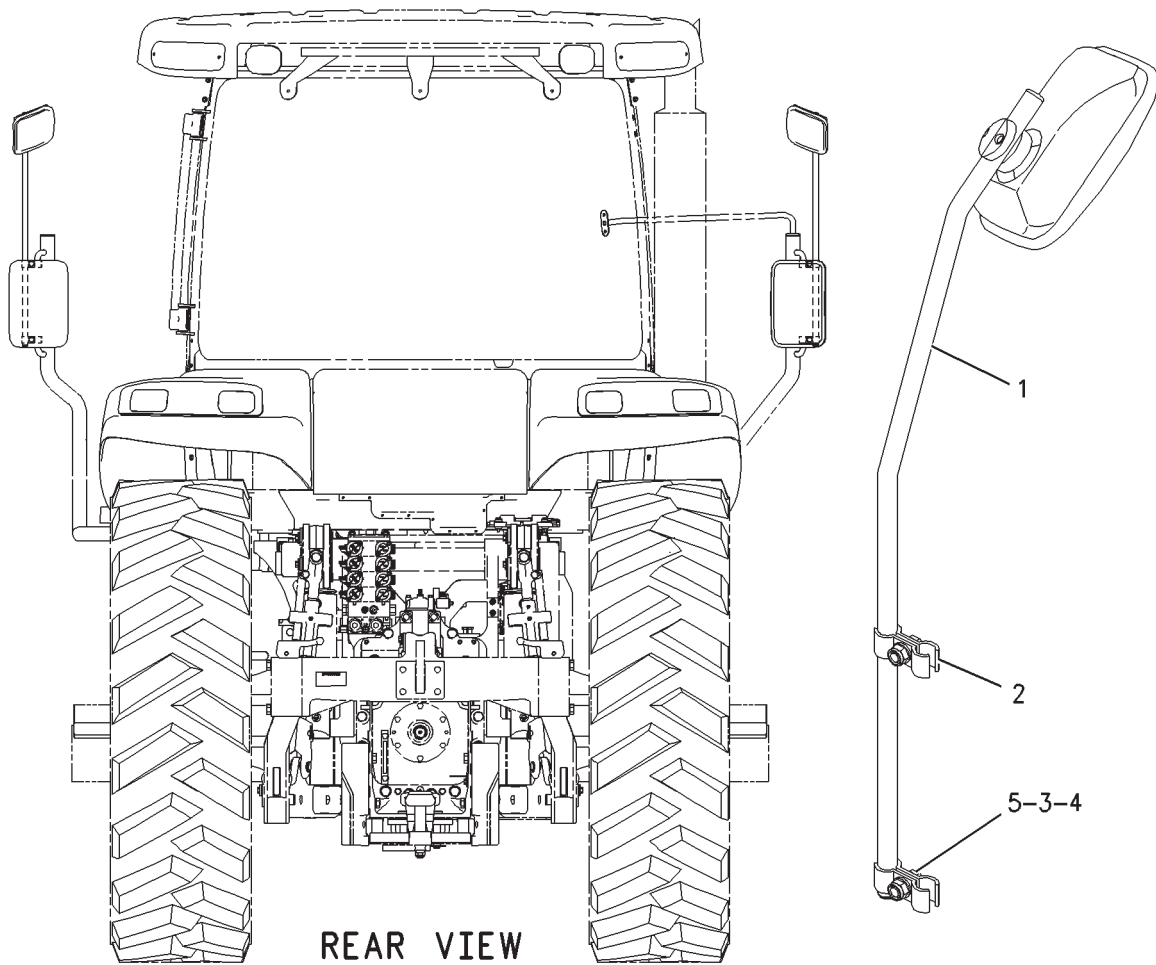
[A] PART OF 152-0008; 152-0009;
152-0012; 222-4146; 500763D1;
500767D1; 500841D1; 500842D1;
500843D1; 500849D1; 502659D1;
502660D1; 502667D1 CAB AR

0892108A
PR: t05b22n43d0469

1070

MT800B SERIES TRACTORS
OPERATOR STATION

MIRROR GP - 206-0588
SIDE AREA VIEW
EAME ONLY



00821303

**MT800B SERIES TRACTORS
OPERATOR STATION**

1071

**MIRROR GP - 206-0588
SIDE AREA VIEW
EAME ONLY**

| ITEM | NUMBER | QTY | DESCRIPTION |
|------|-----------|-----|--|
| - | 206-0588 | - | MIRROR GP-SIDE AREA VIEW [A] (NOT SERVICED) |
| 1 | 206-0589 | 2 | MIRROR AS |
| 2 | CH4H-7655 | 8 | CLAMP-TUBE |
| 3 | CH8T-0389 | 4 | LOCKNUT (M10X1.5 THD) |
| 4 | 400287X1 | 8 | WASHER-HARD (11X21X2.5MM THK) |
| 5 | 400039X1 | 4 | BOLT (M10X1.5X25MM) |

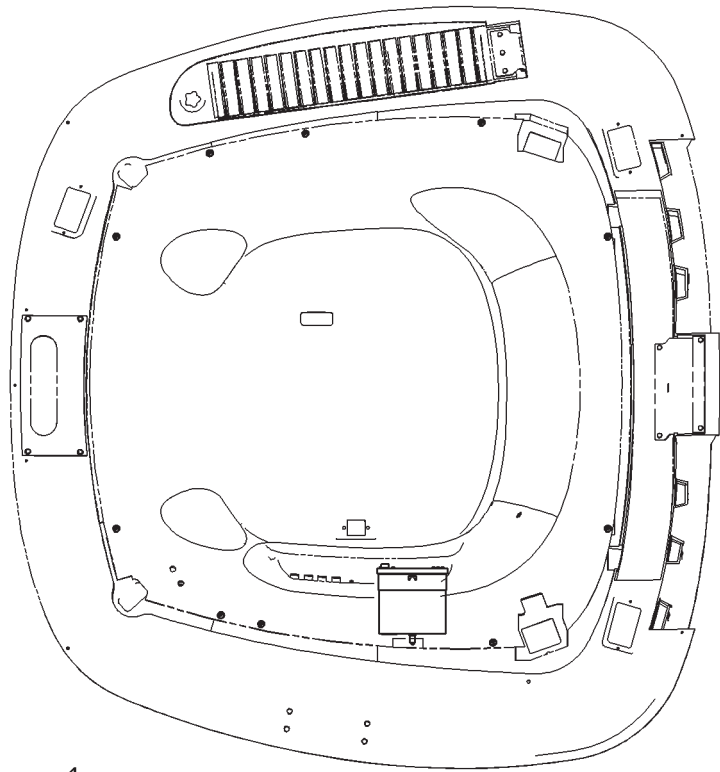
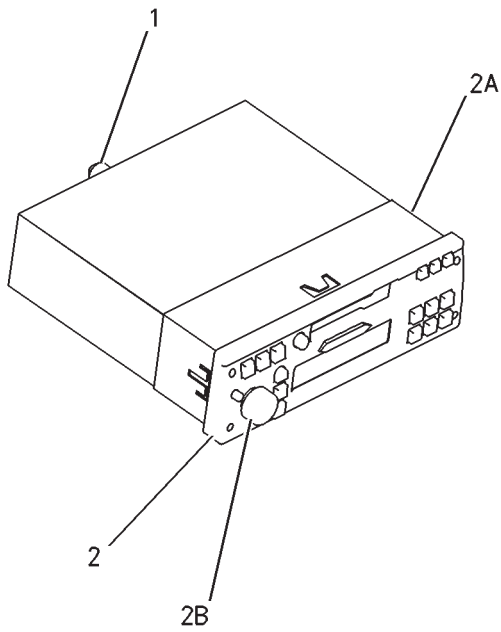
[A] PART OF 500841D1; 500842D1;
502659D1; 502660D1; CAB AR

00821303
PR: t05b22n43d0470

1072

**MT800B SERIES TRACTORS
OPERATOR STATION**

RADIO GP-STD - 168-1952
12V HD, AM/FM/WB/CASS W/GREEN BACKLIGHT



BOTTOM VIEW

00732187

MT800B SERIES TRACTORS
OPERATOR STATION

1073

RADIO GP-STD - 168-1952
12V HD, AM/FM/WB/CASSW/GREEN BACKLIGHT

| ITEM | NUMBER | QTY | DESCRIPTION |
|------|------------|-----|-------------------|
| - | 168-1952 | - | RADIO GP |
| 1 | CH136-5490 | 1 | BUSHING |
| 2 | CH169-6324 | 1 | RADIO GP |
| 2A | CH192-7054 | 1 | EEVE |
| 2B | CH142-9681 | 1 | OB (RADIO VOLUME) |
| - | 400455X1 | 1 | CONNECTOR [A] |

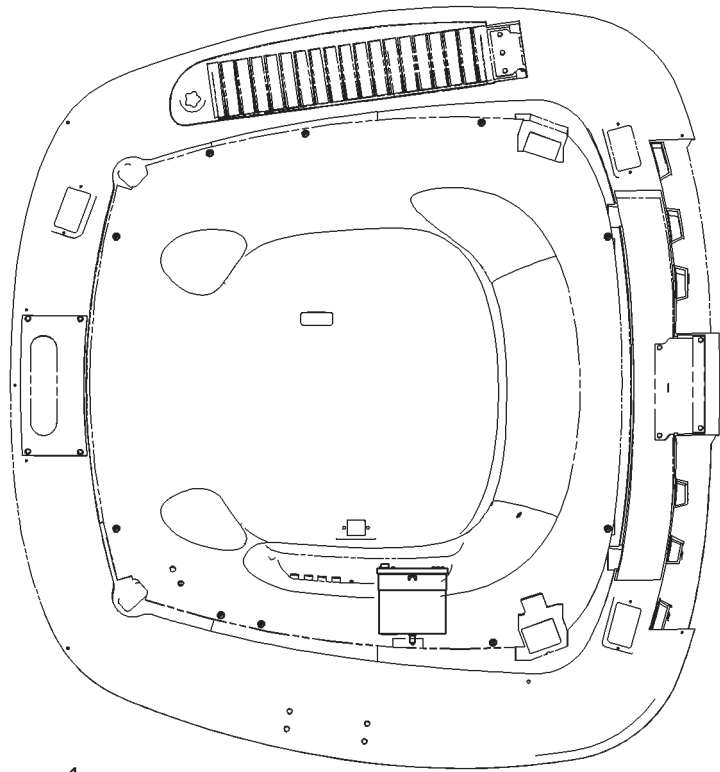
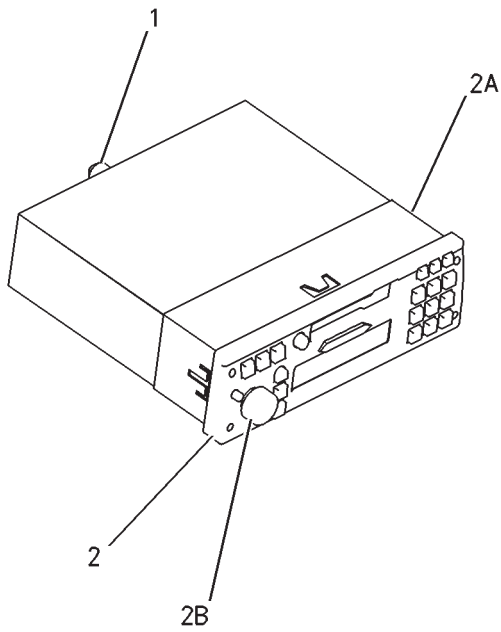
[A] MATING CONNECTOR REQUIRED TO
CONNECT RADIO

00732187
PR: t05b22n43d0471

1074

**MT800B SERIES TRACTORS
OPERATOR STATION**

RADIO GP-DELUXE - 168-1970
12V HD AM/FM/WB/CAS/REMOTE/GRN BACKLIGHT
ROW AND SPECIAL APPLICATIONS



BOTTOM VIEW

00732192

**MT800B SERIES TRACTORS
OPERATOR STATION**

1075

**RADIO GP-DELUXE - 168-1970
12V HD AM/FM/WB/CAS/REMOTE/GRN BACKLIGHT
ROW AND SPECIAL APPLICATIONS**

| ITEM | NUMBER | QTY | DESCRIPTION |
|------|------------|-----|---------------------|
| - | 168-1970 | - | RADIO GP |
| 1 | CH136-5490 | 1 | BUSHING |
| 2 | CH169-6325 | 1 | RADIO GP |
| 2A | CH192-7054 | 1 | SLEEVE [A] |
| 2B | CH142-9681 | 1 | KNOB (RADIO VOLUME) |
| - | CH170-7251 | 1 | CHANGER-CD [B] |
| - | 400455X1 | 1 | CONNECTOR [C] |

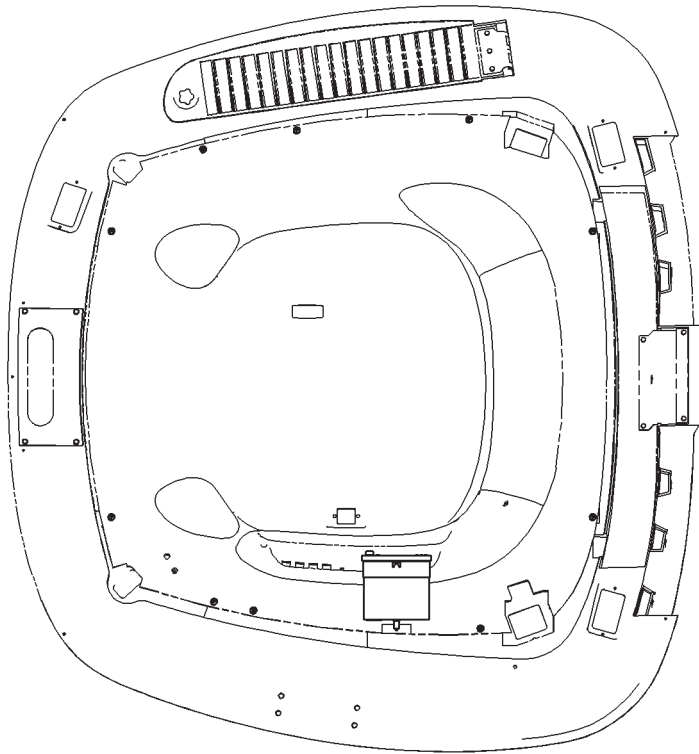
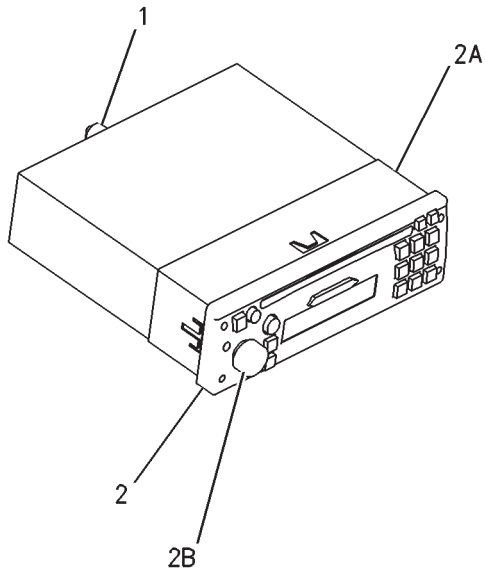
[A] FOR FRONT RADIO MOUNTING
[B] CD CHANGER WITH RADIO COMABIBLE
[C] MATING CONNECTOR REQUIRED TO
CONNECT RADIO

00732192
PR: t05b22n43d0472

1076

**MT800B SERIES TRACTORS
OPERATOR STATION**

RADIO GP-DELUXE CD - 170-5739
12V HD AM/FM/WB/CD/REMOTE/GRN BACKLIGHT
ROW AND SPECIAL APPLICATIONS



BOTTOM VIEW

00732194

**MT800B SERIES TRACTORS
OPERATOR STATION**

1077

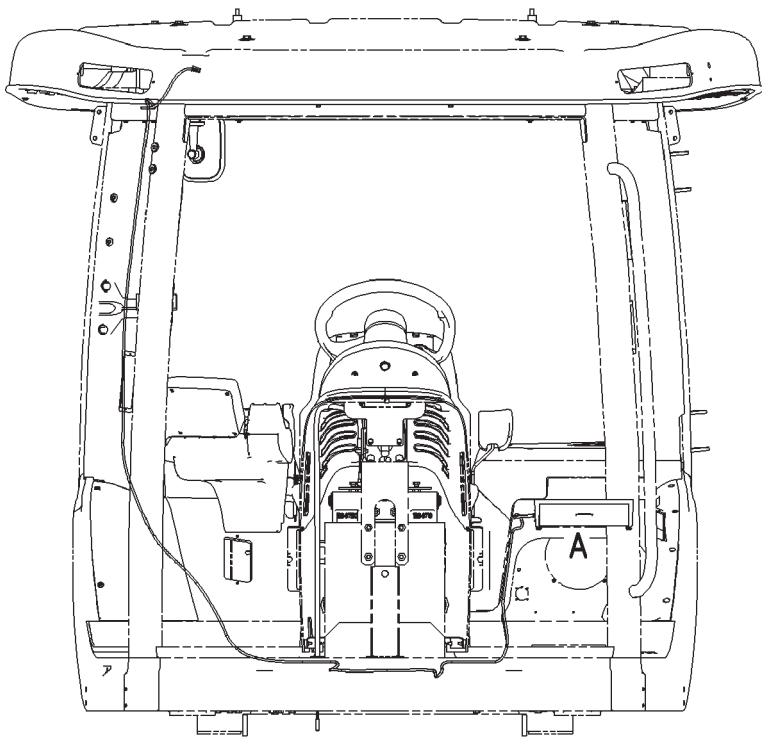
**RADIO GP-DELUXE CD - 170-5739
12V HD AM/FM/WB/CD/REMOTE/GRN BACKLIGHT
ROW AND SPECIAL APPLICATIONS**

| ITEM | NUMBER | QTY | DESCRIPTION |
|------|------------|-----|---------------------|
| - | 170-5739 | - | RADIO GP |
| 1 | CH136-5490 | 1 | BUSHING |
| 2 | CH169-6326 | 1 | RADIO GP |
| 2A | CH192-7054 | 1 | SLEEVE [A] |
| 2B | CH142-9681 | 1 | KNOB (RADIO VOLUME) |
| - | 400455X1 | 1 | CONNECTOR RADIO [B] |
| - | CH170-7251 | 1 | CHANGER-CD [C] |

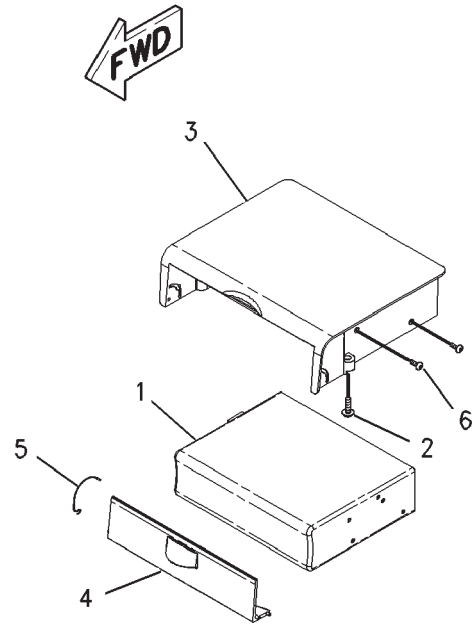
[A] FOR FRONT RADIO MOUNTING
[B] MATING CONNECTOR REQUIRED TO
CONNECT RADIO
[C] CD CHANGER COMPATIBLE WITH RADIO

00732194
PR: t05b22n43d0473

CHANGER GP-COMPACT DISC - 173-6507
ROW AND SPECIAL APPLICATIONS



FRONT VIEW



VIEW OF AREA A

MT800B SERIES TRACTORS
OPERATOR STATION

1079

CHANGER GP-COMPACT DISC - 173-6507
ROW AND SPECIAL APPLICATIONS

| ITEM | NUMBER | QTY | DESCRIPTION |
|------|------------|-----|---|
| - | 173-6507 | - | CHANGER GP-COMPACT DISC |
| 1 | CH170-7251 | 1 | CHANGER-COMPACT DISC [A] |
| | 170-7253 | 1 | MAGAZINE ASM-COMPACT DISC (6 DISC) [A] (NOT SHOWN, NOT PART OF THIS GROUP) |
| 2 | CH9X-2045 | 2 | SCREW-TRUSS HEAD (M6X1X20MM) |
| 3 | 172-6844 | 1 | FRAME |
| 4 | 172-6845 | 1 | DOOR |
| 5 | CH172-6847 | 1 | SPRING |
| 6 | CH7Y-7388 | 4 | SCREW-BUTTON HEAD (M5X0.8X12MM) |
| - | 400486X1 | 1 | CONNECTOR CD CHANGER [B] |

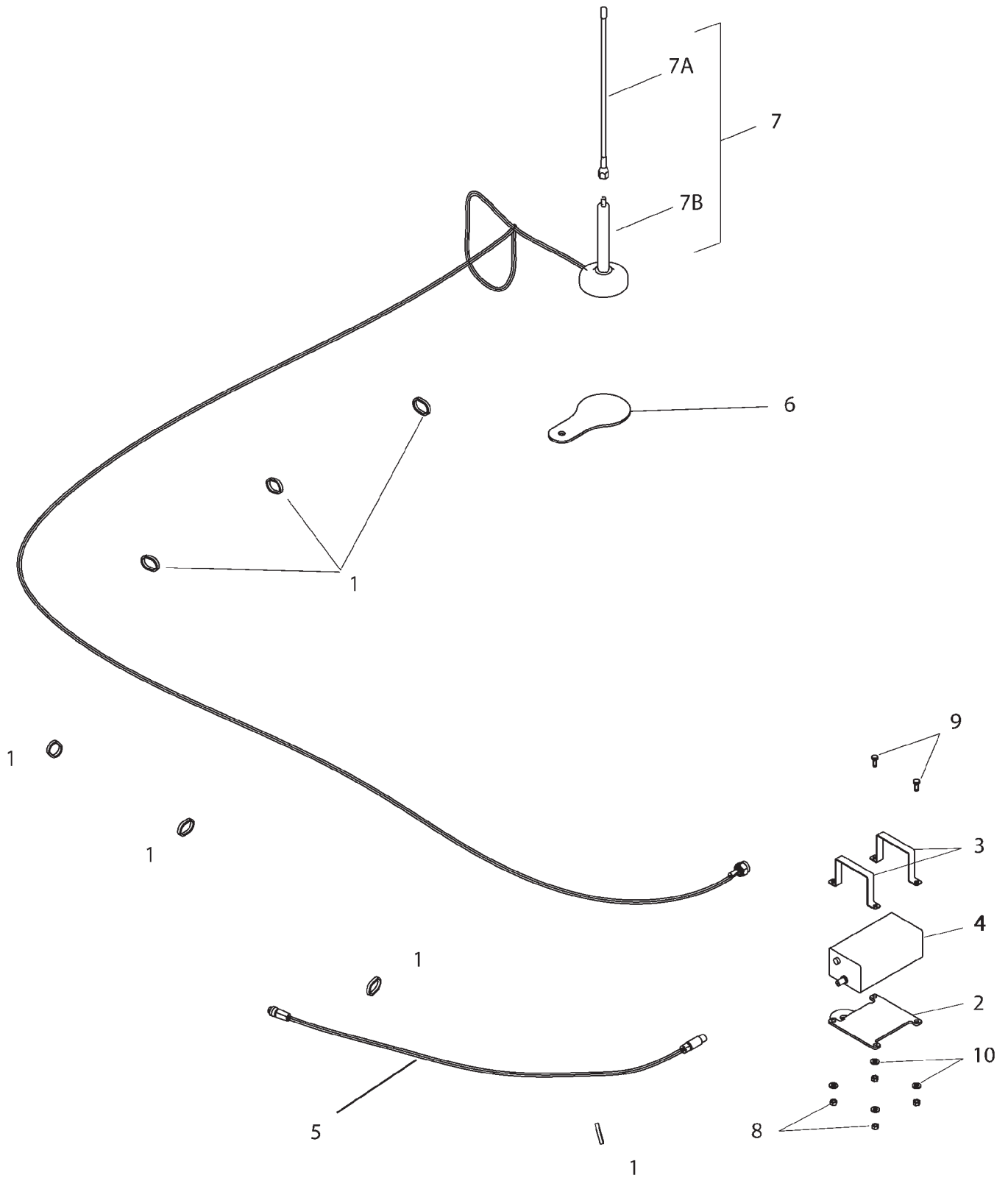
[A] CD MAGAZINE TO BE USED WITH
CD CHANGER
[B] MATING CONNECTOR REQUIRED TO
CONNECT TO CD CHANGER

00885053
PR: t05b22n43d0474

1080

MT800B SERIES TRACTORS
OPERATOR STATION

RADIO GP-AUTOGUIDE - 232-0869



2320869A

**MT800B SERIES TRACTORS
OPERATOR STATION**

1081

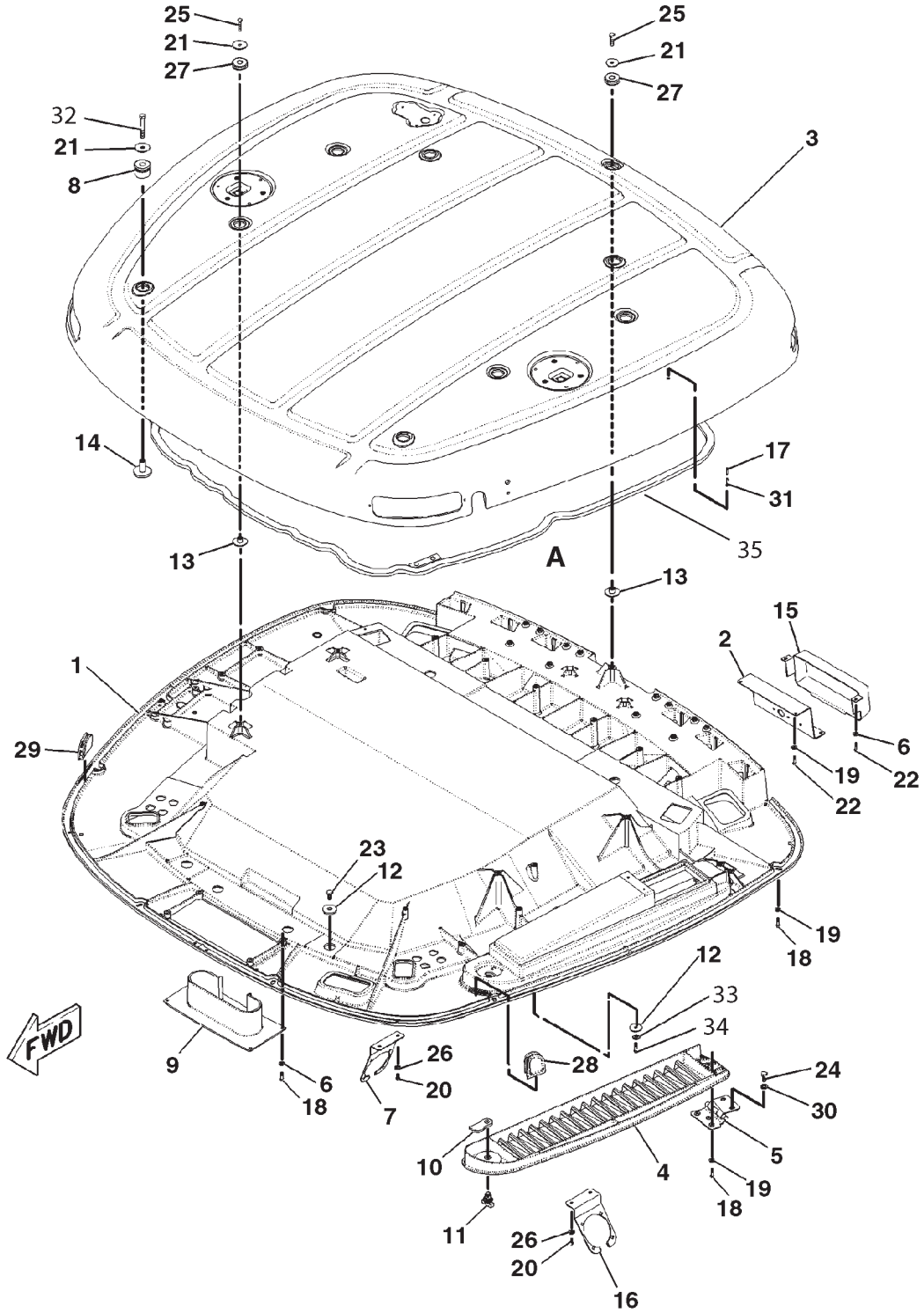
RADIO GP-AUTOGUIDE - 232-0869

| ITEM | NUMBER | QTY | DESCRIPTION |
|------|-----------|-----|------------------------------------|
| - | 232-0869 | - | RADIO GP-AUTOGUIDE (NOT SERVICED) |
| 1 | CH7K-1181 | 7 | STRAP-CABLE 0.19-4.00 |
| 2 | 219-4779 | 1 | BRACKET |
| 3 | 219-4796 | 2 | BRACKET |
| 4 | 221-2642 | 1 | MOUNT AS.-RADIO |
| 5 | 221-5389 | 1 | HARNESS AS |
| 6 | 500361D1 | 1 | PLATE |
| 7 | 500362D1 | 1 | ANTENNA AS-FREEWAVE (INCL 7A & 7B) |
| 7A | 500364D1 | 1 | WHIP |
| 7B | 500363D1 | 1 | BASE |
| 8 | 400300X1 | 4 | NUT M6X1 |
| 9 | 400152X1 | 4 | BOLT-M6X1X16MM ZNDI HHD 10.9 |
| 10 | CH8T-4205 | 4 | WASHER-HARD 7.2IDX14.5ODX2MM |

2320869A
PR: t05b22n43d0475

MT800B SERIES TRACTORS
OPERATOR STATION

ROOF GP-CAB - 152-0417
ROW AND SPECIAL APPLICATIONS



**MT800B SERIES TRACTORS
OPERATOR STATION**

1083

**ROOF GP-CAB - 152-0417
ROW AND SPECIAL APPLICATIONS**

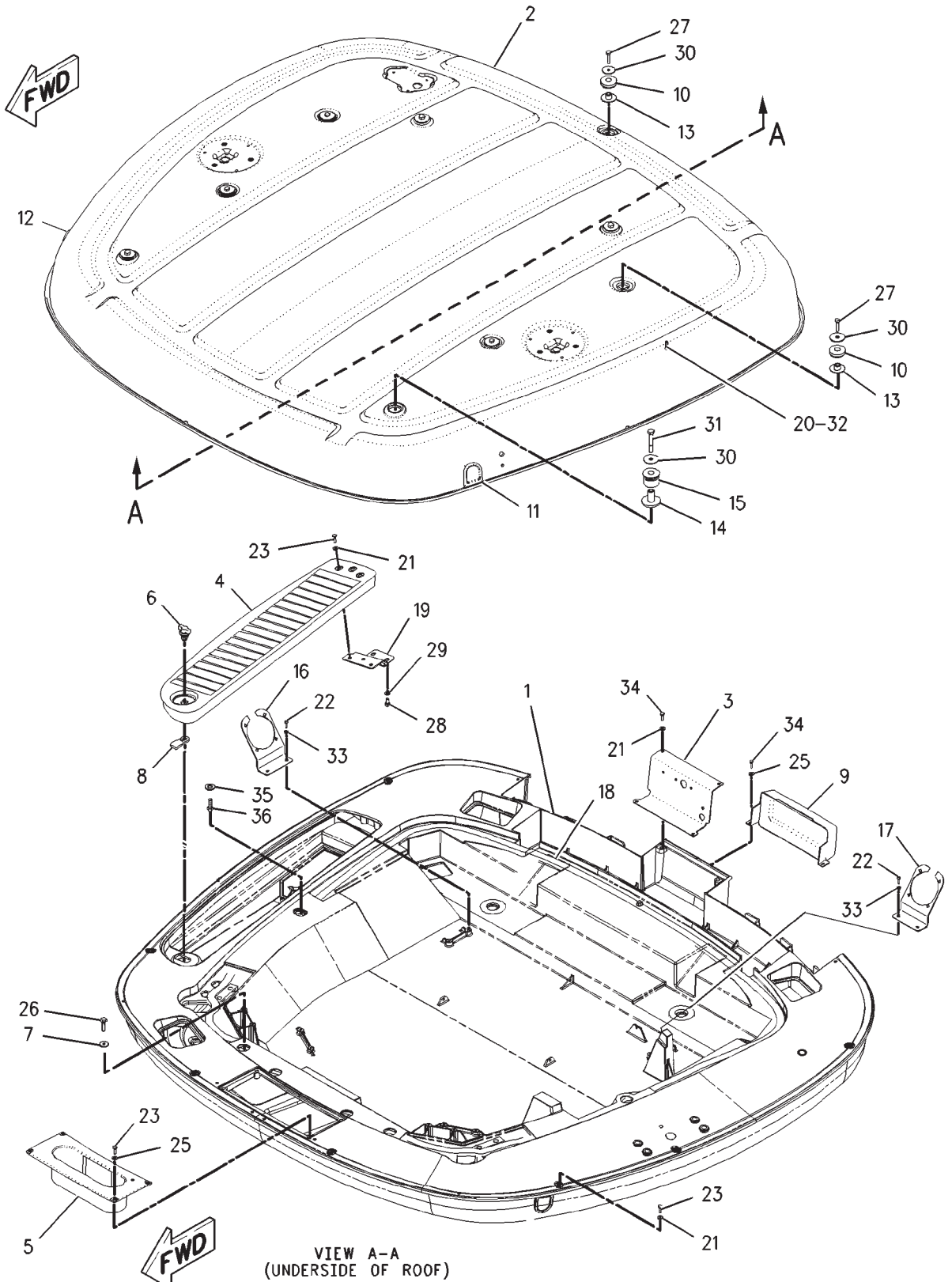
| ITEM | NUMBER | QTY | DESCRIPTION |
|------|------------|-----|--|
| - | 152-0417 | - | ROOF GP-CAB [A] (NOT SERVICED) |
| 1 | 152-0441 | 1 | ROOF ASM (INNER) |
| | CH216-7617 | 14 | INSERT (M6) |
| | CH222-4435 | 7 | INSERT (M8X1.25) |
| 2 | 162-6654 | 1 | PLATE |
| 3 | 162-6655 | 1 | ROOF ASM (OUTER) |
| | CH216-7616 | 8 | INSERT (M4) |
| | CH216-7617 | 7 | INSERT (M6) |
| 4 | 162-6693 | 1 | DOOR-FILTER |
| 5 | CH195-2614 | 1 | HINGE ASM |
| 6 | CH8T-4205 | 6 | WASHER-HARD (7.2X14.5X2MM) |
| 7 | 502322D1 | 1 | BRACKET (REAR SPEAKER-RH) |
| 8 | CH195-2609 | 4 | GROMMET |
| 9 | 168-2284 | 1 | COVER |
| 10 | CH179-3160 | 1 | CAM-LATCH |
| 11 | CH174-6381 | 1 | LATCH |
| 12 | 400119X1 | 4 | SPACER (13X44X5MM THK) |
| 13 | CH195-2607 | 5 | SPACER |
| 14 | CH195-2608 | 4 | SPACER |
| 15 | 179-4203 | 1 | COVER |
| 16 | 502321D1 | 1 | BRACKET (REAR SPEAKER-LH) |
| 17 | CH217-5909 | 1 | SCREW-PAN HEAD (M6X1X16MM) |
| 18 | 400048X1 | 14 | BOLT (M6X1X20MM) |
| 19 | CH5P-4115 | 14 | WASHER-HARD (7.2X19X2) |
| 20 | CH110-2028 | 4 | SCREW-PAN HEAD (10-14X.75 IN) |
| 21 | CH8T-4226 | 9 | WASHER-PLATED (10.5X45X3) |
| 22 | 400152X1 | 6 | BOLT (M6X1X16MM) |
| 23 | 400040X1 | 2 | BOLT (M10X1.5X20MM) |
| 24 | 400227X1 | 2 | BOLT (M8X1.25X16MM) |
| 25 | 400042X1 | 5 | BOLT (M8X1.25X35MM) |
| 26 | 400310X1 | 4 | WASHER (6.6X12X2) |
| 27 | CH195-2600 | 5 | GROMMET |
| 28 | CH195-2601 | 1 | GROMMET-LH |
| 29 | CH195-2602 | 1 | GROMMET-RH |
| 30 | 400339X1 | 2 | WASHER-HARD (8.8X16X2) |
| 31 | CH196-2881 | 1 | CLIP |
| 32 | 400066X1 | 4 | BOLT (M10X1.50X70MM) |
| 33 | 400287X1 | 2 | WASHER-HARD (11X21X2.5) |
| 34 | 400058X1 | 2 | BOLT (M10X1.5X30MM) |
| 35 | 217-2214 | 1 | INSULATION GP-WEATHER (NOT SERVICED) (SEE BREAKDOWN FOR COMPONENTS) |

[A] PART OF 152-0012; 152-0013;
222-4146; 500763D1; 500764D1;
500765D1; 500767D1; 500843D1;
500844D1; 500849D1; 502662D1;
502667D1 CAB AR

0892132B
PR: t05b22n43d0476

MT800B SERIES TRACTORS
OPERATOR STATION

ROOF GP-CAB - 152-0444
EAME ONLY



**MT800B SERIES TRACTORS
OPERATOR STATION**

1085

**ROOF GP-CAB - 152-0444
EAME ONLY**

| ITEM | NUMBER | QTY | DESCRIPTION |
|------|------------|-----|--|
| - | 152-0444 | - | ROOF GP-CAB [A] (NOT SERVICED) |
| 1 | 152-0441 | 1 | ROOF AS (INNER) |
| 2 | 162-4111 | 1 | ROOF AS (OUTER) |
| 3 | 162-6654 | 1 | PLATE |
| 4 | 162-6693 | 1 | DOOR AS (FILTER) |
| 5 | 168-2284 | 1 | COVER |
| 6 | CH174-6381 | 1 | LATCH AS |
| 7 | 400119X1 | 4 | SPACER (13X44X5MM THK) |
| 8 | CH179-3160 | 1 | CAM-LATCH |
| 9 | 179-4203 | 1 | COVER |
| 10 | CH195-2600 | 5 | GROMMET |
| 11 | CH195-2601 | 1 | GROMMET-LH |
| 12 | CH195-2602 | 1 | GROMMET-RH |
| 13 | CH195-2607 | 5 | SPACER |
| 14 | CH195-2608 | 4 | SPACER |
| 15 | CH195-2609 | 4 | GROMMET |
| 16 | 502321D1 | 1 | BRACKET (REAR SPEAKER)(RH) |
| 17 | 502322D1 | 1 | BRACKET (REAR SPEAKER)(LH) |
| 18 | 217-2214 | 1 | INSULATION GP-WEATHER (NOT SERVICED) (SEE BREAKDOWN FOR COMPONENTS) |
| 19 | CH195-2614 | 1 | HINGE AS |
| | 400313X1 | 3 | NUT-WELD (M6X1 THD) |
| 20 | CH196-2881 | 1 | CLIP |
| 21 | CH5P-4115 | 14 | WASHER-HARD (7.2X19X2MM THK) |
| 22 | CH110-2028 | 4 | SCREW-PAN HEAD (10-14X.75 IN) |
| 23 | 400048X1 | 14 | BOLT (M6X1.0X20MM) |
| 24 | | | NOT USED |
| 25 | CH8T-4205 | 6 | WASHER-HARD (7.2X14.5X2MM THK) |
| 26 | 400040X1 | 4 | BOLT (M10X1.5X20MM) |
| 27 | 400042X1 | 5 | BOLT (M8X1.25X35MM) |
| 28 | 400227X1 | 2 | BOLT (M8X1.25X16MM) |
| 29 | 400339X1 | 2 | WASHER-HARD (8.8X16X2MM THK) |
| 30 | CH8T-4226 | 9 | WASHER-PLATED (10.5X45X3MM THK) |
| 31 | 400066X1 | 4 | BOLT (M10X1.50X70MM) |
| 32 | CH217-5909 | 1 | SCREW-PAN HEAD (1/4-15X12.7) |
| 33 | 400310X1 | 4 | WASHER (6.6X12X2MM THK) |
| 34 | 400152X1 | 6 | BOLT (M6X1X16MM) |
| 35 | 400287X1 | 2 | WASHER-HARD (11X21X2.5MM THK) |
| 36 | 400058X1 | 2 | BOLT (M10X1.5X30MM) |

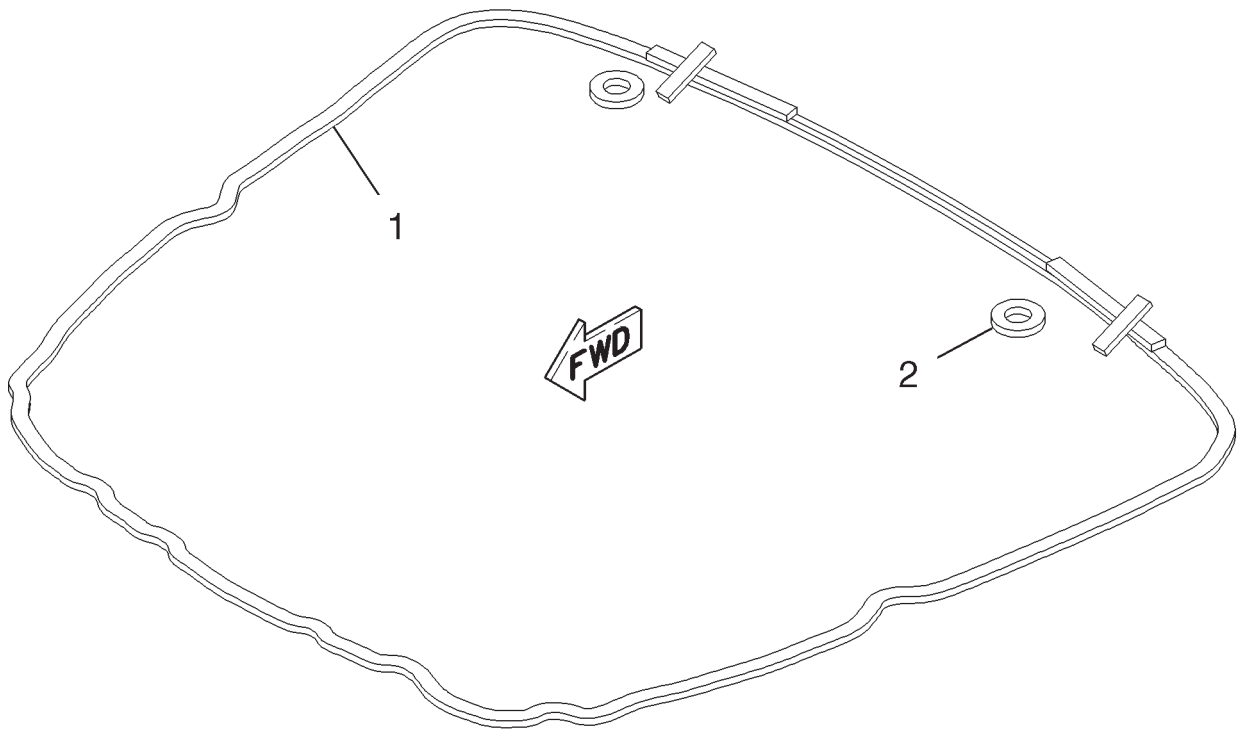
[A] PART OF 152-0008; 152-0009;
500841D1 CAB AR

1520444B
PR: t05b22n43d0477

1086

MT800B SERIES TRACTORS
OPERATOR STATION

INSULATION GP-WEATHER - 217-2214



2172214C

**MT800B SERIES TRACTORS
OPERATOR STATION**

1087

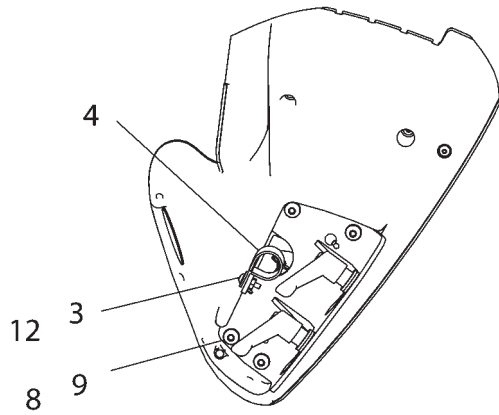
INSULATION GP-WEATHER - 217-2214

| ITEM | NUMBER | QTY | DESCRIPTION |
|------|----------|-----|---|
| - | 217-2214 | - | INSULATION GP-WEATHER [A] (NOT SERVICED) |
| 1 | 217-2130 | 1 | SEAL (7620LX24WX12THK ADH BACK) |
| 2 | 217-2131 | 2 | SEAL (38IDX36ODX12THK ADH BACK) |

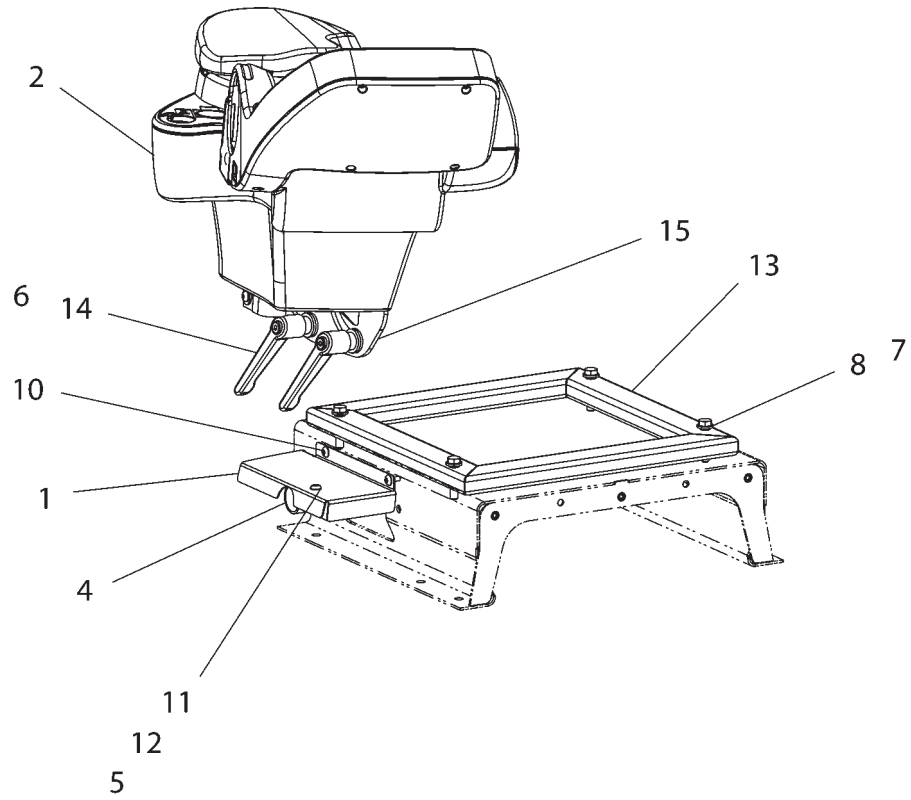
[A] PART OF 152-0417; 152-0444 CAB AR

2172214C
PR: t05b22n43d0478

CONSOLE GP-MTG - 500839D1



VIEW OF UNDERSIDE OF ARMREST



**MT800B SERIES TRACTORS
OPERATOR STATION**

1089

CONSOLE GP-MTG - 500839D1

| ITEM | NUMBER | QTY | DESCRIPTION |
|------|-----------|-----|--|
| - | 500839D1 | - | CONSOLE GP-MOUNTING [A] (NOT SERVICED) |
| 1 | 178-7952 | 1 | BRACKET-ARMREST |
| 2 | 152-0434 | 1 | CONSOLE GP-OPERATOR (NOT SERVICED) (SEE BREAKDOWN FOR COMPONENTS) |
| 3 | CH3E-8020 | 1 | SCREW-M6X1X25 ORG TORX |
| 4 | CH4D-7388 | 2 | CLIP-LOOP 34.9 ID |
| 5 | 400300X1 | 1 | NUT M6X1 |
| 6 | CH5P-8247 | 4 | WASHER-HARD 17IDX32ODX3.5MM |
| 7 | 400161X1 | 4 | BOLT-M10X1.5X50 PH&O HHD 10.9 |
| 8 | CH6V-5839 | 8 | WASHER-HARD 11IDX21ODX2.5MM |
| 9 | CH9X-2039 | 4 | SCREW-M10X1.5X35 ORG TORX |
| 10 | CH9X-2044 | 2 | SCREW-M6X1X16MM TRUSS HEAD |
| 11 | CH9X-2045 | 1 | SCREW-M6X1X20 MM ORG TORX T30 |
| 12 | CH9X-6165 | 2 | WASHER-6.5IDX22ODX2.5MM |
| 13 | 500483D1 | 1 | SUPPORT AS |
| 14 | 500854D1 | 2 | LEVER |
| 15 | 219-9656 | 1 | BRACKET AS.-ARMREST |

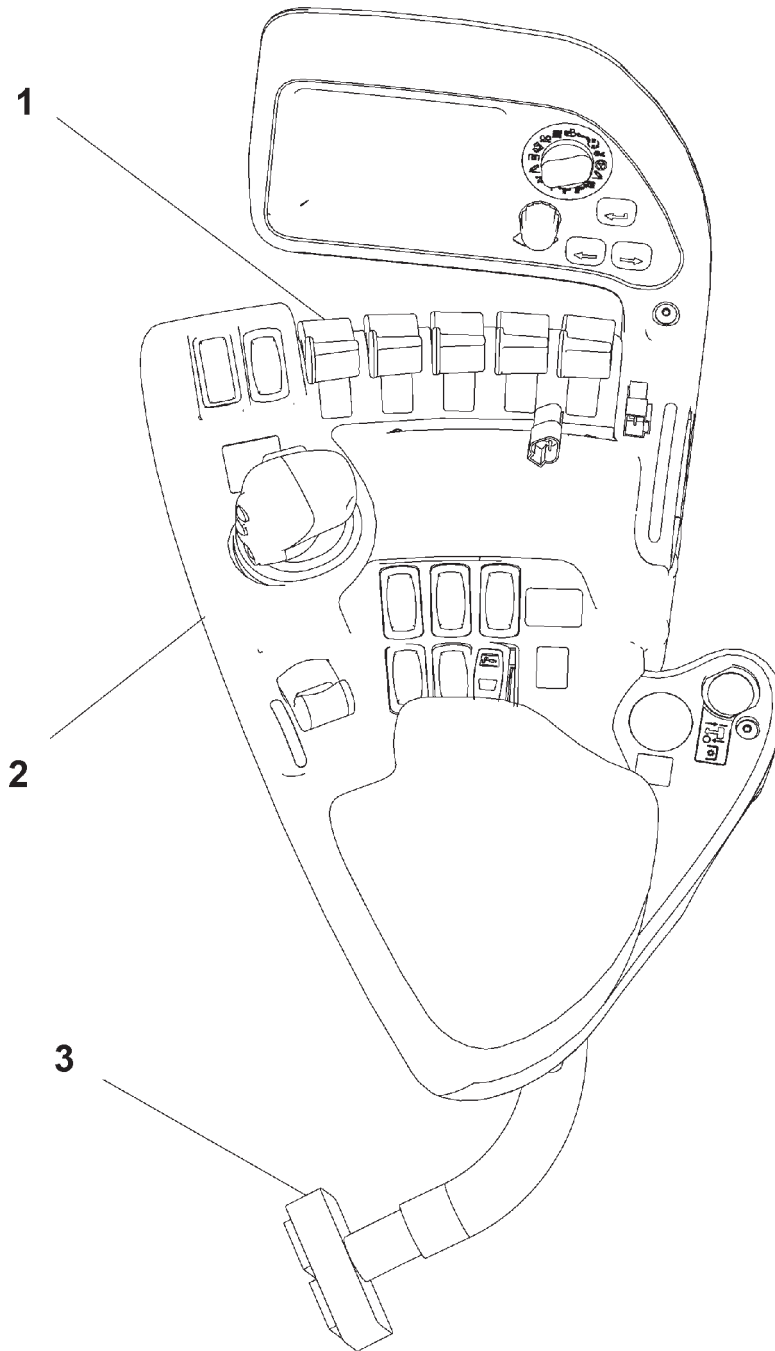
PART OF 500841D1 CAB AR

500839DC
PR: t05b22n43d0479

1090

MT800B SERIES TRACTORS
OPERATOR STATION

ARMREST GP - 500484D2
4 IMP W/PTO-W/O HTCH



500484D2

**MT800B SERIES TRACTORS
OPERATOR STATION**

1091

**ARMREST GP - 500484D2
4 IMP W/PTO-W/O HTCH**

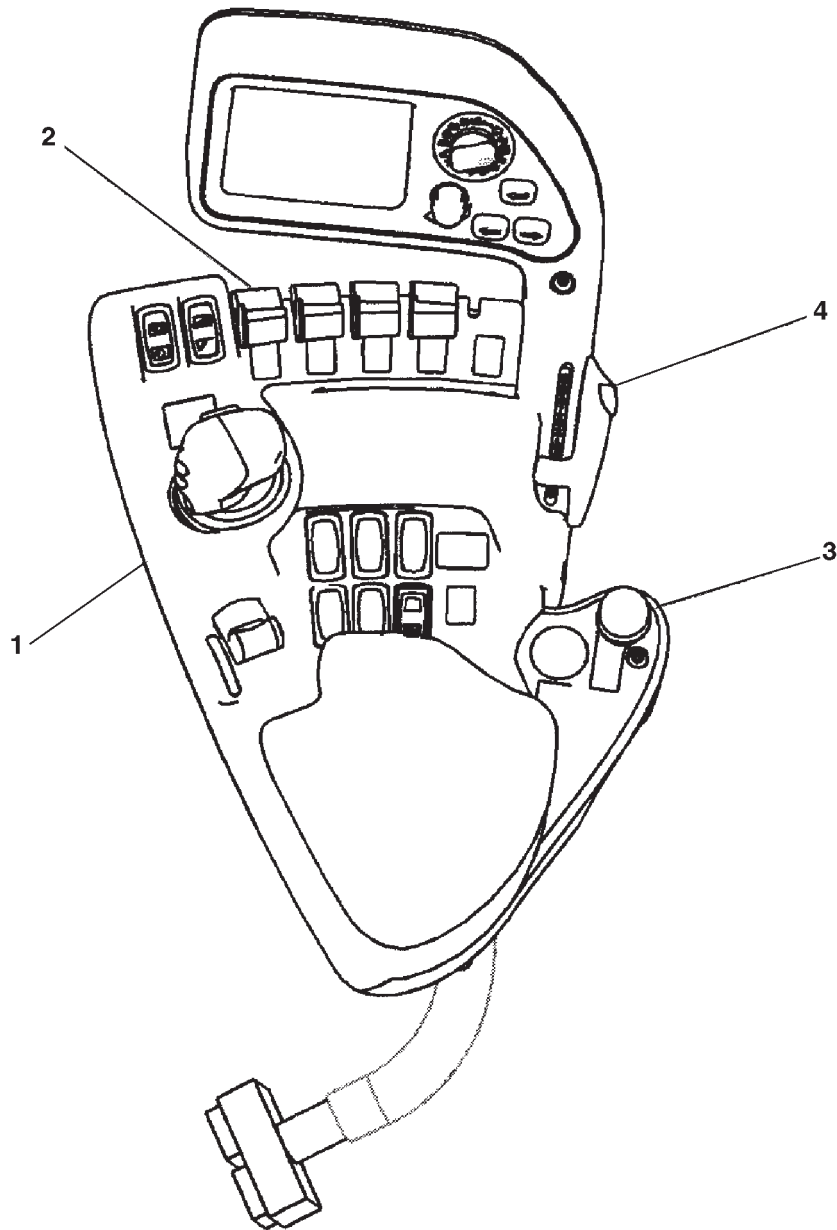
| ITEM | NUMBER | QTY | DESCRIPTION |
|------|----------|-----|--|
| - | 500484D2 | - | ARMREST GP (NOT SERVICED) |
| 1 | 152-0434 | 1 | CONSOLE GP-OPERATOR (A) (NOT SERVICED) (SEE BREAKDOWN FOR COMPONENTS) |
| 2 | 152-0443 | 1 | CONTROL GP (NOT SERVICED) (SEE BREAKDOWN FOR COMPONENTS) |
| 3 | 166-1211 | 1 | WIRING GP-ARMREST (NOT SERVICED) (SEE BREAKDOWN FOR COMPONENTS) |

500484D2
PR: t05b22n43d0480

1092

MT800B SERIES TRACTORS
OPERATOR STATION

ARMREST GP - 500485D2
4 IMP W/PTO-W/HITCH



500485DA

**MT800B SERIES TRACTORS
OPERATOR STATION**

1093

**ARMREST GP - 500485D2
4 IMP W/PTO-W/HITCH**

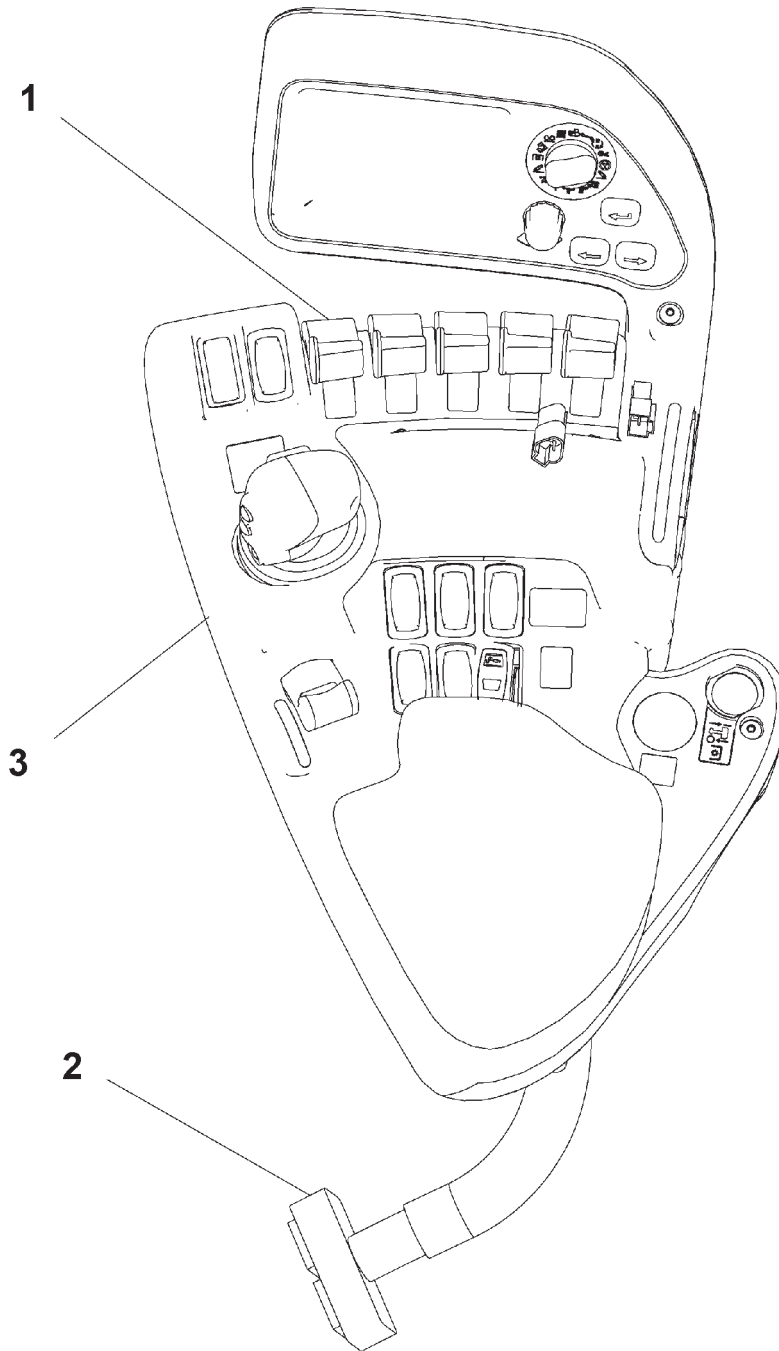
| ITEM | NUMBER | QTY | DESCRIPTION |
|------|----------|-----|--|
| - | 500485D2 | - | ARMREST GP (NOT SERVICED) |
| 1 | 152-0434 | 1 | CONSOLE GP-OPERATOR (A) (NOT SERVICED) (SEE BREAKDOWN FOR COMPONENTS) |
| 2 | 152-0443 | 1 | CONTROL GP (NOT SERVICED) (SEE BREAKDOWN FOR COMPONENTS) |
| 3 | 166-1211 | 1 | WIRING GP-B (NOT SERVICED) (SEE BREAKDOWN FOR COMPONENTS) |
| 4 | 152-0445 | 1 | CONTROL GP-HITCH (NOT SERVICED) (SEE BREAKDOWN FOR COMPONENTS) |

500485DA
PR: t05b22n43d0481

1094

**MT800B SERIES TRACTORS
OPERATOR STATION**

ARMREST GP - 500486D2
4 IMP W/O PTO-W/O HITCH



500486D2

**MT800B SERIES TRACTORS
OPERATOR STATION**

1095

**ARMREST GP - 500486D2
4 IMP W/O PTO-W/O HITCH**

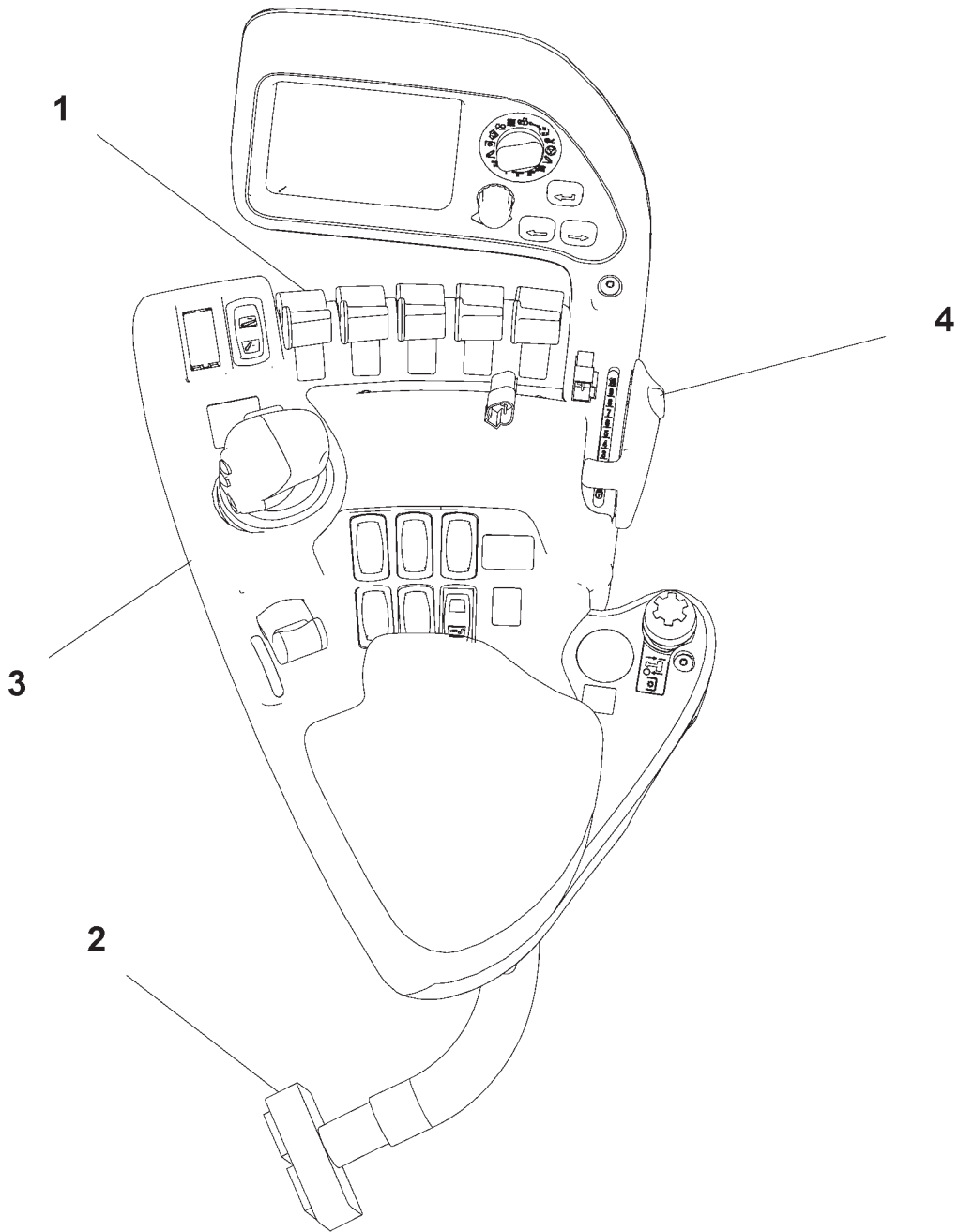
| ITEM | NUMBER | QTY | DESCRIPTION |
|------|----------|-----|--|
| - | 500486D2 | - | ARMREST GP (NOT SERVICED) |
| 1 | 152-0443 | 1 | CONTROL GP (NOT SERVICED) (SEE BREAKDOWN FOR COMPONENTS) |
| 2 | 136-5477 | 1 | WIRING GP-ARMREST (NOT SERVICED) (SEE BREAKDOWN FOR COMPONENTS) |
| 3 | 152-0434 | 1 | CONSOLE GP-OPERATOR (A) (NOT SERVICED) (SEE BREAKDOWN FOR COMPONENTS) |

500486D2
PR: t05b22n43d0482

1096

**MT800B SERIES TRACTORS
OPERATOR STATION**

ARMREST GP - 500487D2
4 IMP W/O PTO-W/HITCH



500487D2

**MT800B SERIES TRACTORS
OPERATOR STATION**

1097

**ARMREST GP - 500487D2
4 IMP W/O PTO-W/HITCH**

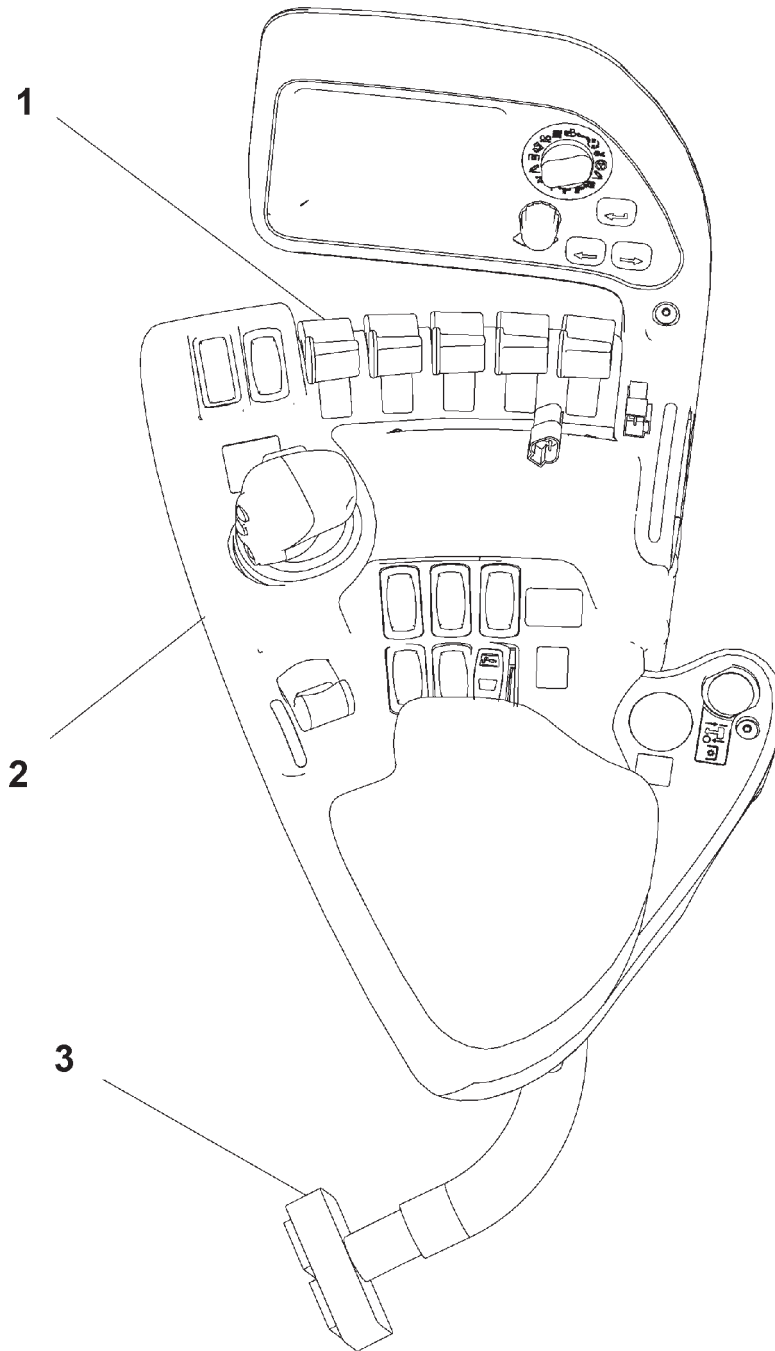
| ITEM | NUMBER | QTY | DESCRIPTION |
|------|----------|-----|--|
| - | 500487D2 | - | ARMREST GP (NOT SERVICED) |
| 1 | 152-0443 | 1 | CONTROL GP (NOT SERVICED) (SEE BREAKDOWN FOR COMPONENTS) |
| 2 | 136-5477 | 1 | WIRING GP-ARMREST (NOT SERVICED) (SEE BREAKDOWN FOR COMPONENTS) |
| 3 | 152-0434 | 1 | CONSOLE GP-OPERATOR (A) (NOT SERVICED) (SEE BREAKDOWN FOR COMPONENTS) |
| 4 | 152-0445 | 1 | CONTROL GP-HITCH (NOT SERVICED) (SEE BREAKDOWN FOR COMPONENTS) |

500487D2
PR: t05b22n43d0483

1098

**MT800B SERIES TRACTORS
OPERATOR STATION**

**ARMREST GP - 500488D2
5 IMP W/PTO-W/O HITCH**



500488D2

**MT800B SERIES TRACTORS
OPERATOR STATION**

1099

**ARMREST GP - 500488D2
5 IMP W/PTO-W/O HITCH**

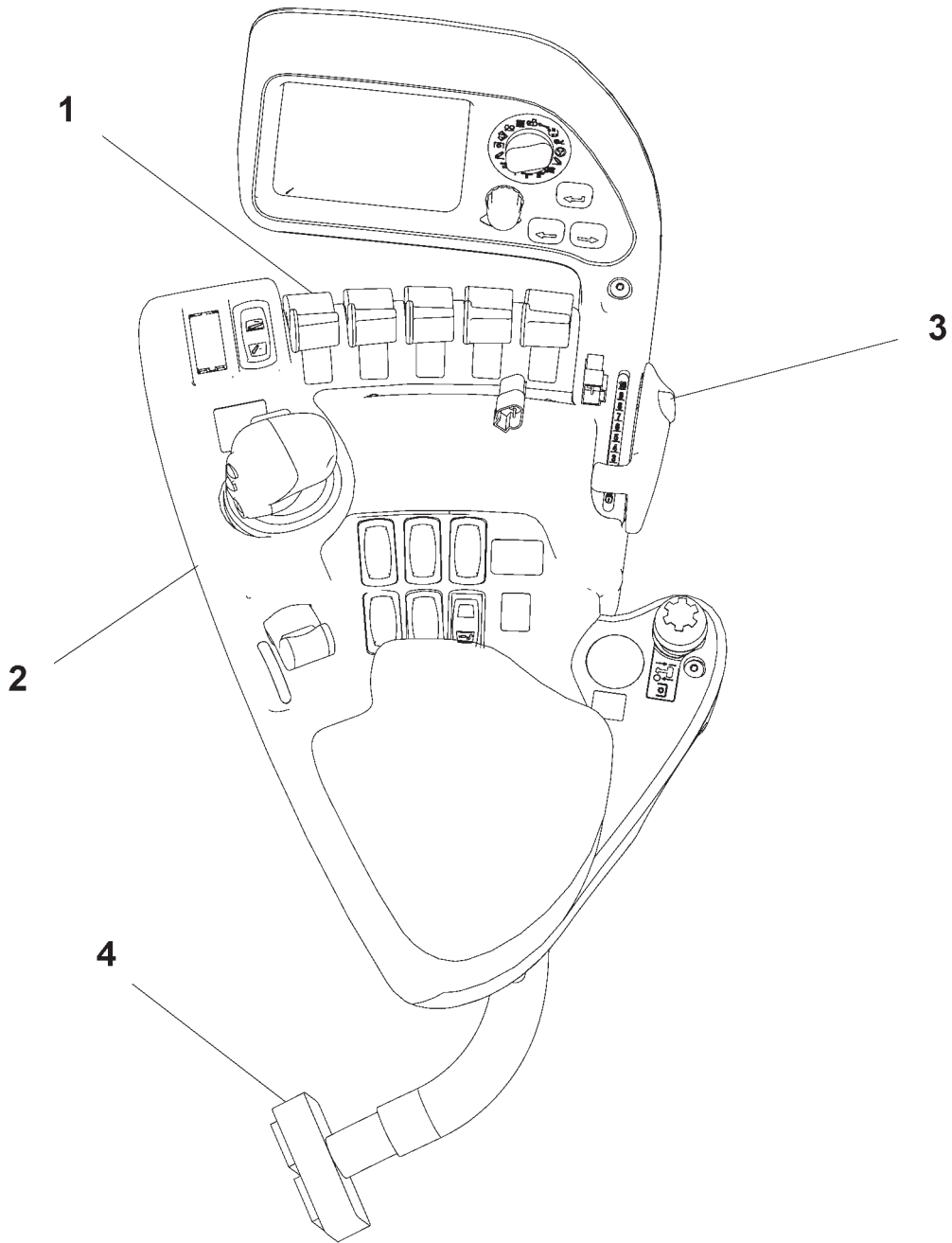
| ITEM | NUMBER | QTY | DESCRIPTION |
|------|----------|-----|--|
| - | 500488D2 | - | ARMREST GP (NOT SERVICED) |
| 1 | 166-4590 | 1 | CONTROL GP (NOT SERVICED) (SEE BREAKDOWN FOR COMPONENTS) |
| 2 | 152-0434 | 1 | CONSOLE GP-OPERATOR (A) (NOT SERVICED) (SEE BREAKDOWN FOR COMPONENTS) |
| 3 | 166-1211 | 1 | WIRING GP-ARMREST (NOT SERVICED) (SEE BREAKDOWN FOR COMPONENTS) |

500488D2
PR: t05b22n43d0484

1100

**MT800B SERIES TRACTORS
OPERATOR STATION**

ARMREST GP - 500489D2
5 IMP W/PTO-W/HTCH



500489D2

**MT800B SERIES TRACTORS
OPERATOR STATION**

1101

**ARMREST GP - 500489D2
5 IMP W/PTO-W/HTCH**

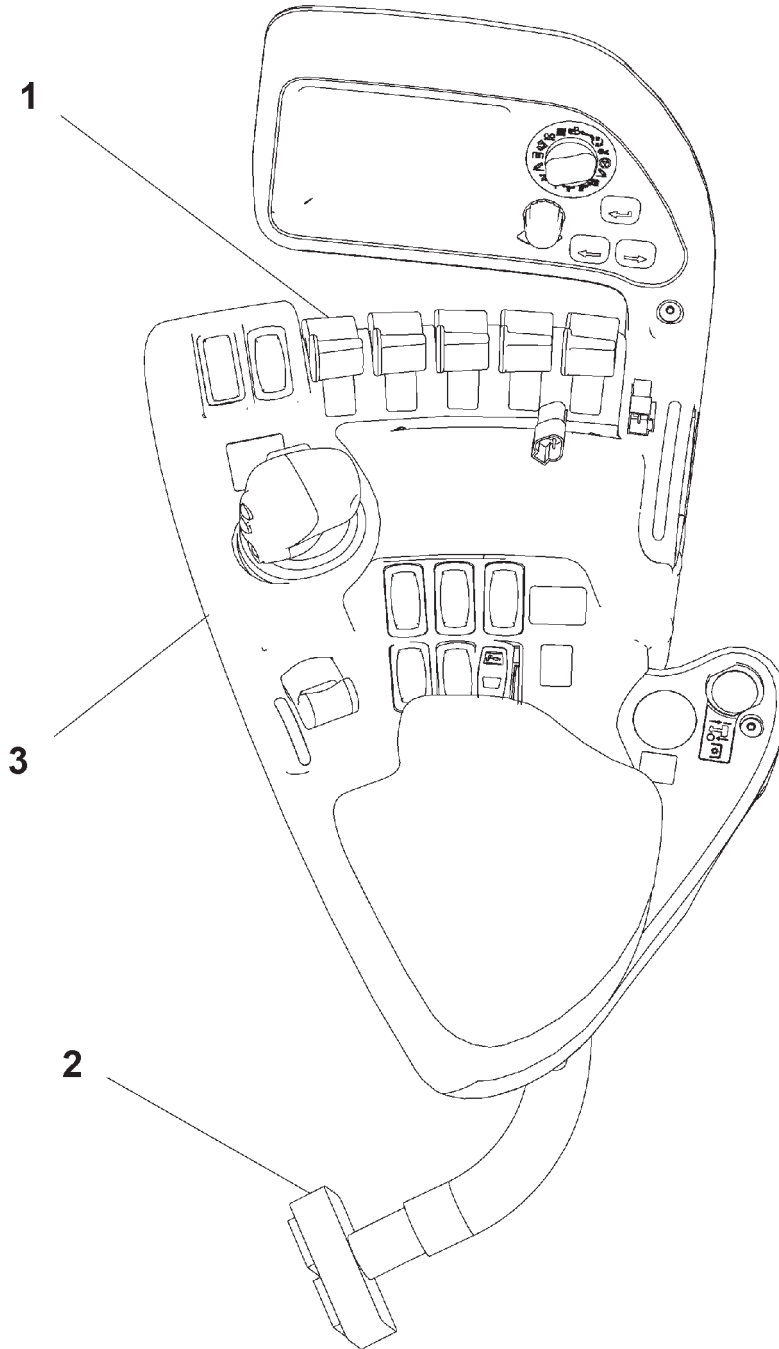
| ITEM | NUMBER | QTY | DESCRIPTION |
|------|----------|-----|--|
| - | 500489D2 | - | ARMREST GP (NOT SERVICED) |
| 1 | 166-4590 | 1 | CONTROL GP (NOT SERVICED) (SEE BREAKDOWN FOR COMPONENTS) |
| 2 | 152-0434 | 1 | CONSOLE GP-OPERATOR (A) (NOT SERVICED) (SEE BREAKDOWN FOR COMPONENTS) |
| 3 | 152-0445 | 1 | CONTROL GP-HITCH (NOT SERVICED) (SEE BREAKDOWN FOR COMPONENTS) |
| 4 | 166-1211 | 1 | WIRING GP-ARMREST (NOT SERVICED) (SEE BREAKDOWN FOR COMPONENTS) |

500489D2
PR: t05b22n43d0485

1102

**MT800B SERIES TRACTORS
OPERATOR STATION**

**ARMREST GP - 500490D2
5 IMP W/O PTO-W/O HITCH**



500490D2

**MT800B SERIES TRACTORS
OPERATOR STATION**

1103

**ARMREST GP - 500490D2
5 IMP W/O PTO-W/O HITCH**

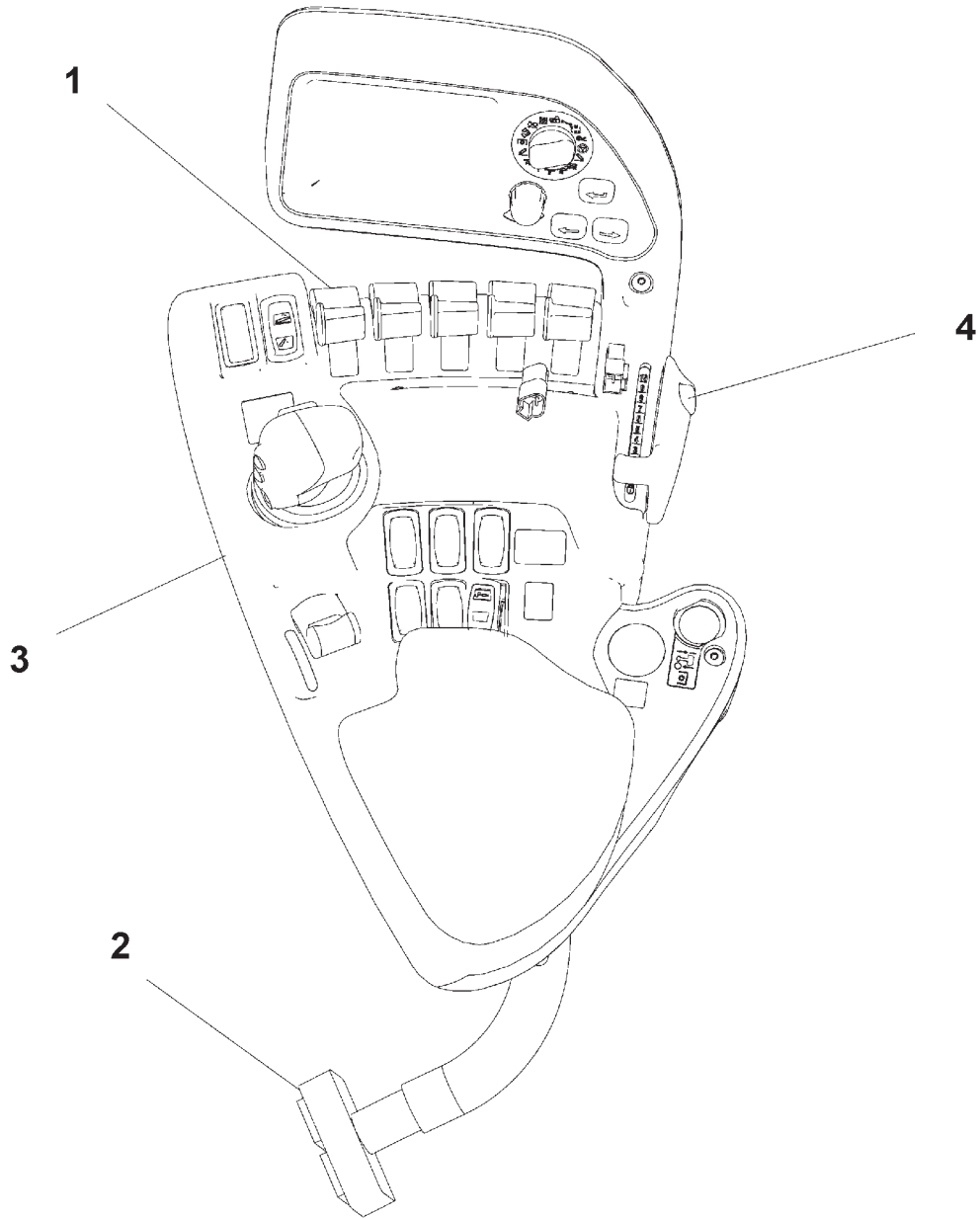
| ITEM | NUMBER | QTY | DESCRIPTION |
|------|----------|-----|--|
| - | 500490D2 | - | ARMREST GP (NOT SERVICED) |
| 1 | 166-4590 | 1 | CONTROL GP (NOT SERVICED, (SEE BREAKDOWN FOR COMPONENTS) |
| 2 | 136-5477 | 1 | WIRING GP-ARMREST (NOT SERVICED) (SEE BREAKDOWN FOR COMPONENTS) |
| 3 | 152-0434 | 1 | CONSOLE GP-OPERATOR (A) (NOT SERVICED) (SEE BREAKDOWN FOR COMPONENTS) |

500490D2
PR: t05b22n43d0486

1104

**MT800B SERIES TRACTORS
OPERATOR STATION**

**ARMREST GP - 500491D2
5 IMP W/O PTO-W/HITCH**



500491D2

**MT800B SERIES TRACTORS
OPERATOR STATION**

1105

**ARMREST GP - 500491D2
5 IMP W/O PTO-W/HITCH**

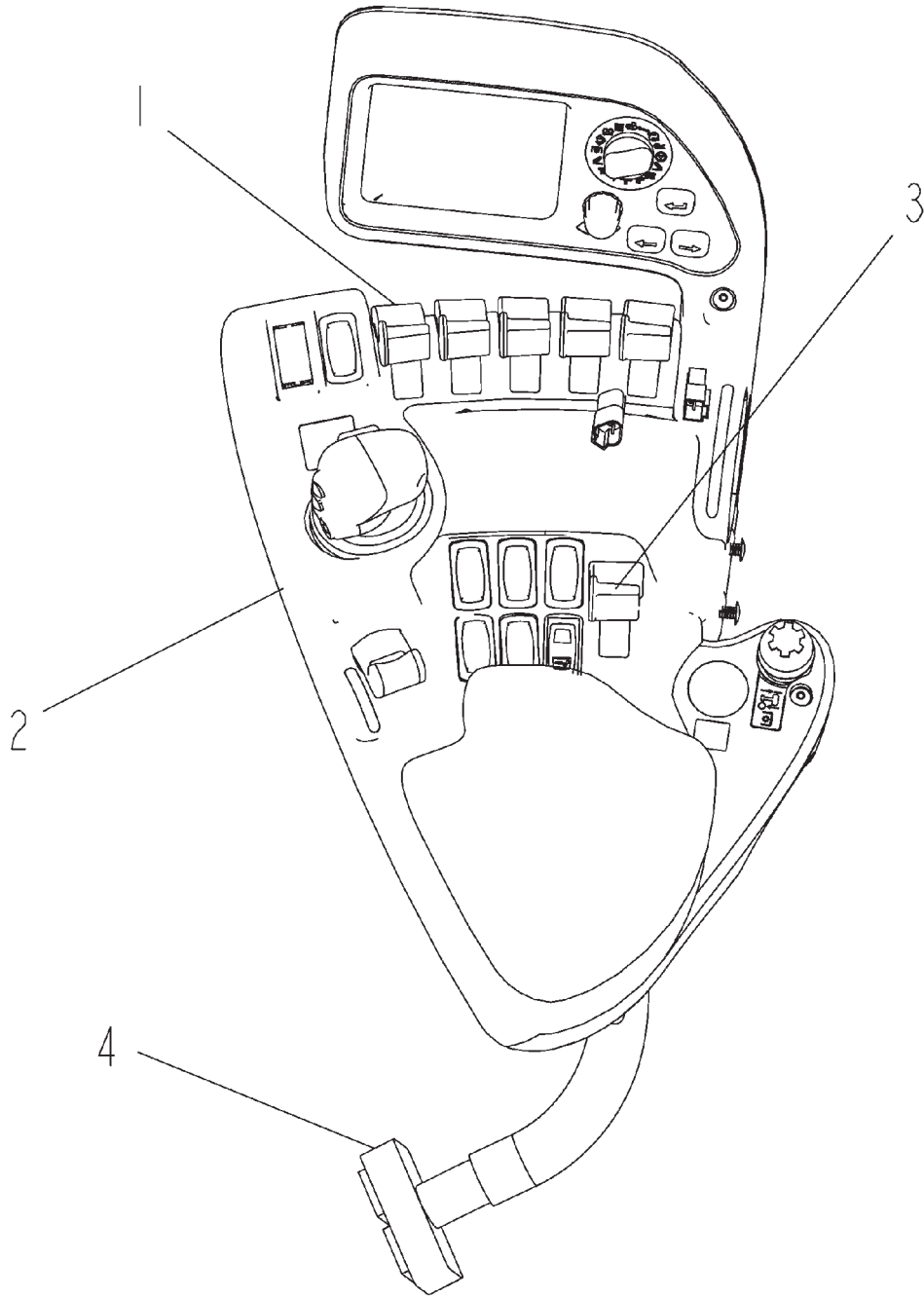
| ITEM | NUMBER | QTY | DESCRIPTION |
|------|----------|-----|--|
| - | 500491D2 | - | ARMREST GP (NOT SERVICED) |
| 1 | 166-4590 | 1 | CONTROL GP (NOT SERVICED) (SEE BREAKDOWN FOR COMPONENTS) |
| 2 | 136-5477 | 1 | WIRING GP-ARMREST (NOT SERVICED) (SEE BREAKDOWN FOR COMPONENTS) |
| 3 | 152-0434 | 1 | CONSOLE GP-OPERATOR (A) (NOT SERVICED) (SEE BREAKDOWN FOR COMPONENTS) |
| 4 | 152-0445 | 1 | CONTROL GP-HITCH (NOT SERVICED) (SEE BREAKDOWN FOR COMPONENTS) |

500491D2
PR: t05b22n43d0487

1106

MT800B SERIES TRACTORS
OPERATOR STATION

ARMREST GP - 500791D2
6 IMP W/PTO-W/O HITCH



500791DB

**MT800B SERIES TRACTORS
OPERATOR STATION**

1107

**ARMREST GP - 500791D2
6 IMP W/PTO-W/O HITCH**

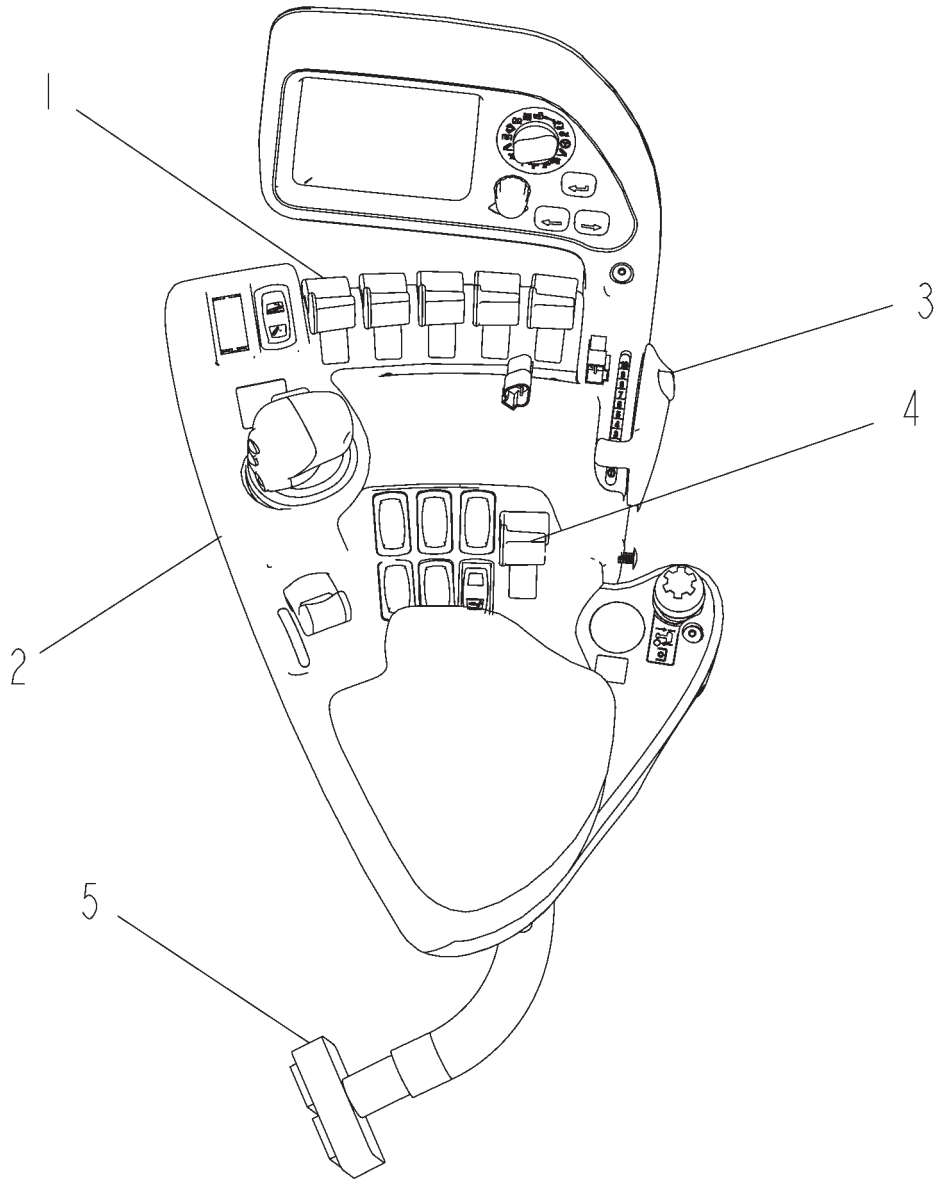
| ITEM | NUMBER | QTY | DESCRIPTION |
|------|----------|-----|--|
| - | 500791D2 | - | ARMREST GP (NOT SERVICED) |
| 1 | 166-4590 | 1 | CONTROL GP (NOT SERVICED) (SEE BREAKDOWN FOR COMPONENTS) |
| 2 | 152-0434 | 1 | CONSOLE GP-OPERATOR (A) (NOT SERVICED) (SEE BREAKDOWN FOR COMPONENTS) |
| 3 | 152-0448 | 1 | CONTROL GP (NOT SERVICED) (SEE BREAKDOWN FOR COMPONENTS) |
| 4 | 166-1211 | 1 | WIRING GP-ARMREST (NOT SERVICED) (SEE BREAKDOWN FOR COMPONENTS) |

500791DB
PR: t05b22n43d0488

1108

MT800B SERIES TRACTORS
OPERATOR STATION

ARMREST GP - 500792D2
6 IMP W/PTO-W/HITCH



500792DB

**MT800B SERIES TRACTORS
OPERATOR STATION**

1109

**ARMREST GP - 500792D2
6 IMP W/PTO-W/HITCH**

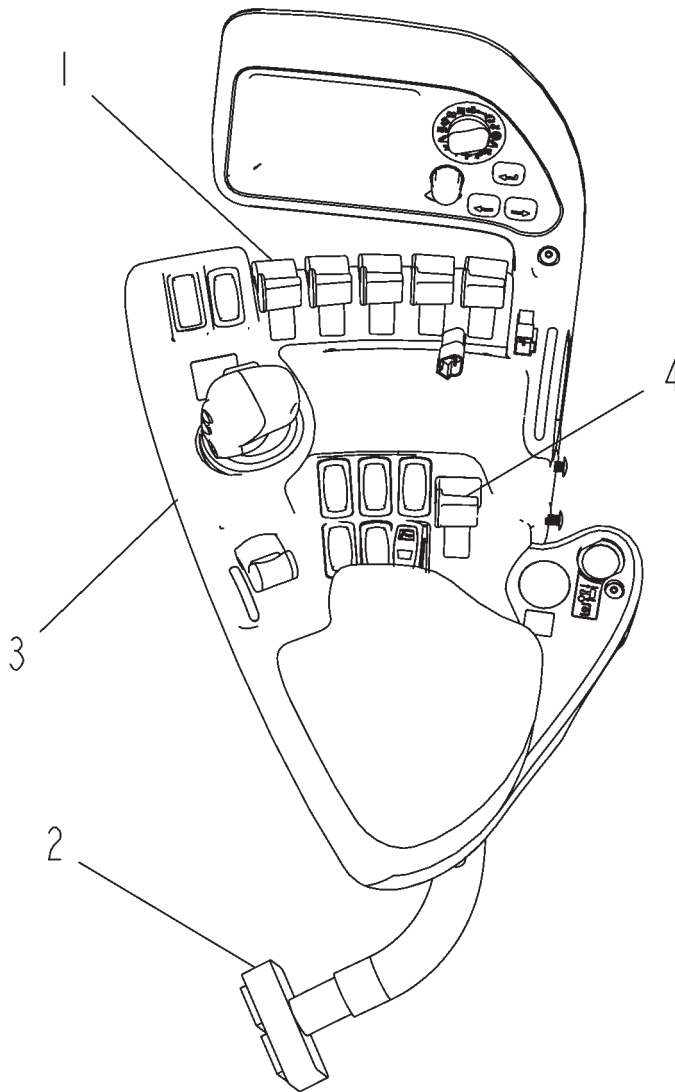
| ITEM | NUMBER | QTY | DESCRIPTION |
|------|----------|-----|--|
| - | 500792D2 | - | ARMREST GP (NOT SERVICED) |
| 1 | 166-4590 | 1 | CONTROL GP (NOT SERVICED) (SEE BREAKDOWN FOR COMPONENTS) |
| 2 | 152-0434 | 1 | CONSOLE GP-OPERATOR (A) (NOT SERVICED) (SEE BREAKDOWN FOR COMPONENTS) |
| 3 | 152-0445 | 1 | CONTROL GP-HITCH (NOT SERVICED) (SEE BREAKDOWN FOR COMPONENTS) |
| 4 | 152-0448 | 1 | CONTROL GP (NOT SERVICED) (SEE BREAKDOWN FOR COMPONENTS) |
| 5 | 166-1211 | 1 | WIRING GP-ARMREST (NOT SERVICED) (SEE BREAKDOWN FOR COMPONENTS) |

500792DB
PR: t05b22n43d0489

1110

MT800B SERIES TRACTORS
OPERATOR STATION

ARMREST GP - 500793D2
6 IMP W/O PTO-W/O HITCH



500793D2

**MT800B SERIES TRACTORS
OPERATOR STATION**

1111

**ARMREST GP - 500793D2
6 IMP W/O PTO-W/O HITCH**

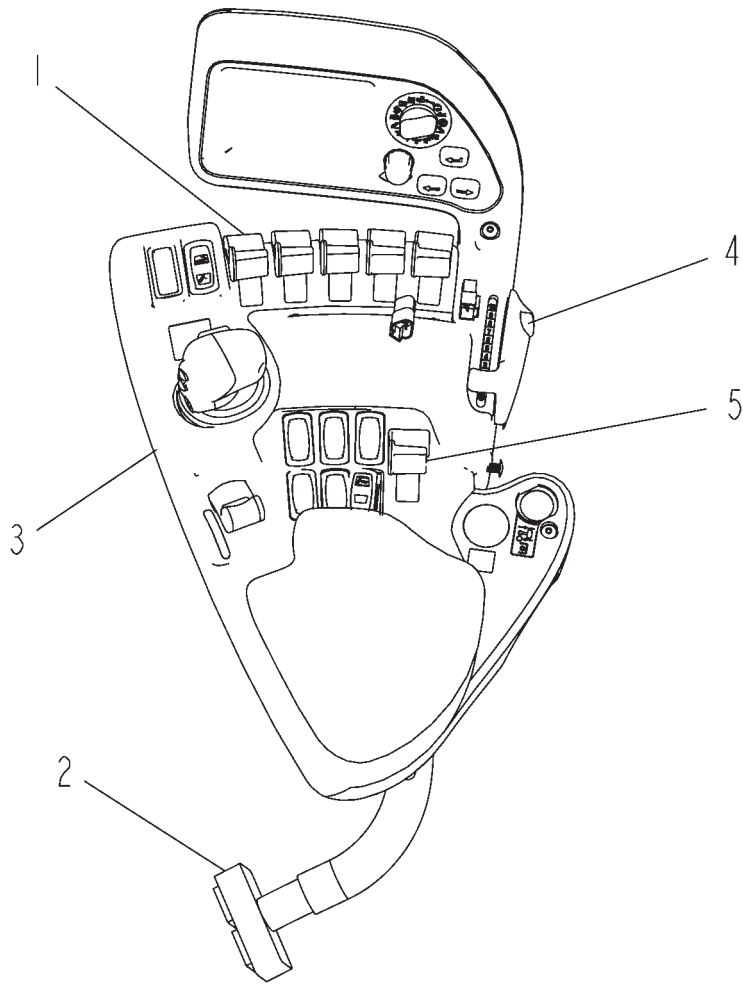
| ITEM | NUMBER | QTY | DESCRIPTION |
|------|----------|-----|--|
| - | 500793D2 | - | ARMREST GP (NOT SERVICED) |
| 1 | 166-4590 | 1 | CONTROL GP (NOT SERVICED) (SEE BREAKDOWN FOR COMPONENTS) |
| 2 | 136-5477 | 1 | WIRING GP-ARMREST (NOT SERVICED) (SEE BREAKDOWN FOR COMPONENTS) |
| 3 | 152-0434 | 1 | CONSOLE GP-OPERATOR (A) (NOT SERVICED) (SEE BREAKDOWN FOR COMPONENTS) |
| 4 | 152-0448 | 1 | CONTROL GP (NOT SERVICED) (SEE BREAKDOWN FOR COMPONENTS) |

500793DB
PR: t05b22n43d0490

1112

MT800B SERIES TRACTORS
OPERATOR STATION

ARMREST GP - 500794D2
6 IMP W/O PTO-W/HITCH



500794DB

**MT800B SERIES TRACTORS
OPERATOR STATION**

1113

**ARMREST GP - 500794D2
6 IMP W/O PTO-W/HITCH**

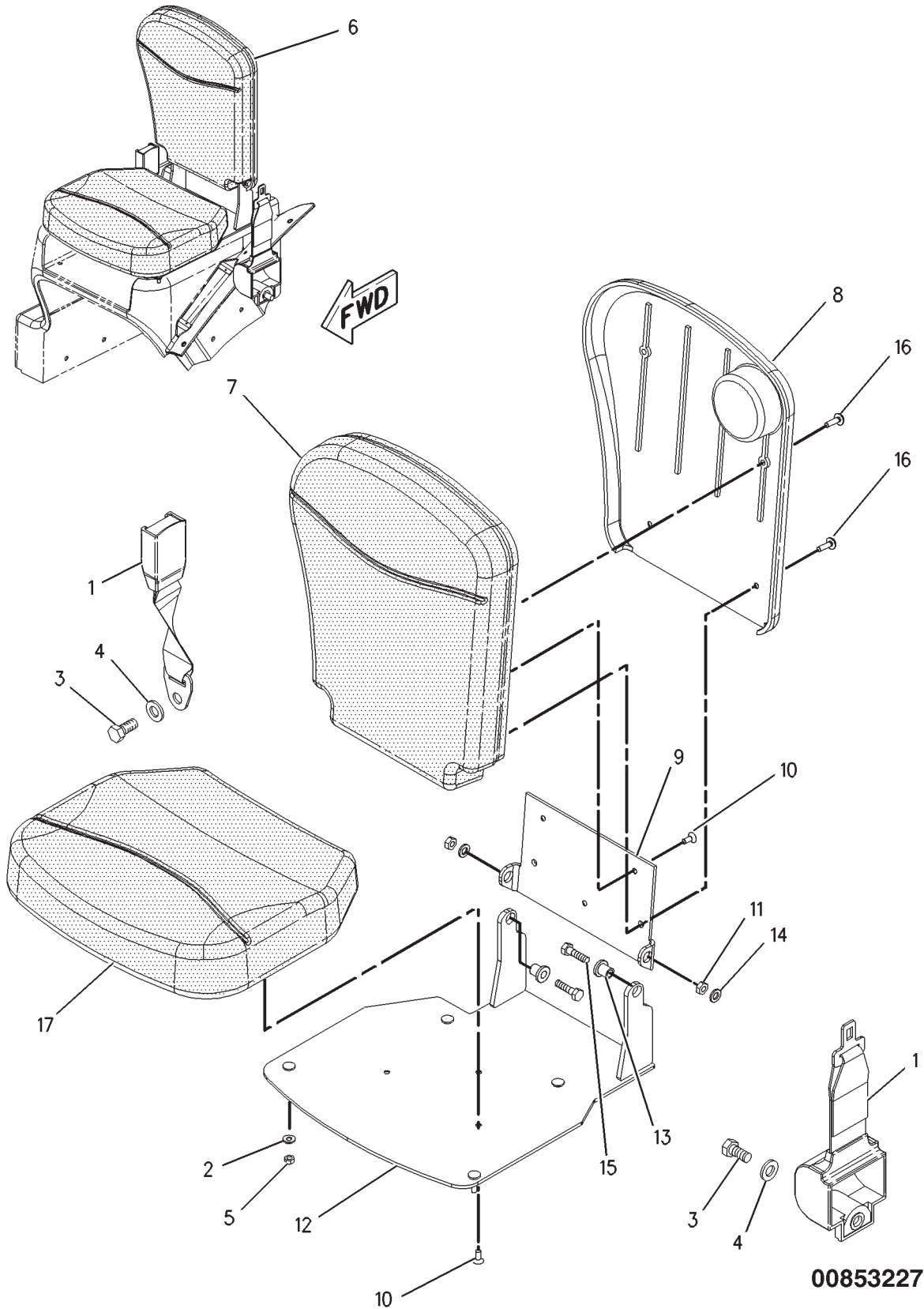
| ITEM | NUMBER | QTY | DESCRIPTION |
|------|----------|-----|--|
| - | 500794D2 | - | ARMREST GP (NOT SERVICED) |
| 1 | 166-4590 | 1 | CONTROL GP (NOT SERVICED) (SEE BREAKDOWN FOR COMPONENTS) |
| 2 | 136-5477 | 1 | WIRING GP-ARMREST (NOT SERVICED) (SEE BREAKDOWN FOR COMPONENTS) |
| 3 | 152-0434 | 1 | CONSOLE GP-OPERATOR (A) (NOT SERVICED) (SEE BREAKDOWN FOR COMPONENTS) |
| 4 | 152-0445 | 1 | CONTROL GP-HITCH (NOT SERVICED) (SEE BREAKDOWN FOR COMPONENTS) |
| 5 | 152-0448 | 1 | CONTROL GP (NOT SERVICED) (SEE BREAKDOWN FOR COMPONENTS) |

500794DB
PR: t05b22n43d0491

1114

**MT800B SERIES TRACTORS
OPERATOR STATION**

SEAT GP-COMPANION - 152-0433



00853227

**MT800B SERIES TRACTORS
OPERATOR STATION**

1115

SEAT GP-COMPANION - 152-0433

| ITEM | NUMBER | QTY | DESCRIPTION |
|------|------------|-----|--------------------------------------|
| - | 152-0433 | - | SEAT GP-COMPANION [A] (NOT SERVICED) |
| 1 | 185-2151 | 1 | BELT SET |
| 2 | CH9X-6165 | 4 | WASHER (6.5X22X2.5) |
| 3 | 400055X1 | 2 | BOLT (M12X1.75X25MM) |
| 4 | 400357X1 | 2 | WASHER-HARD (M12X25.5X3) |
| 5 | 400300X1 | 4 | NUT (M6X1) |
| 6 | 164-7062 | 1 | SEAT ASM (INCLUDES ITEMS 7-17) |
| 7 | 162-6758 | 1 | CUSHION-BACK |
| 8 | 162-6759 | 1 | COVER-BACK |
| 9 | 178-9244 | 1 | BRACKET-HINGE |
| 10 | CH095-0759 | 6 | SCREW-MACHINE (M6X1X16.6) |
| 11 | CH8T-7963 | 2 | LOCKNUT (M8X1.25) |
| 12 | 169-6351 | 1 | BRACKET ASM-HINGE |
| 13 | 178-9245 | 2 | BUSHING |
| 14 | 400339X1 | 2 | WASHER-HARD (8.8X16X2) |
| 15 | WR520867 | 2 | BOLT (M8X1.25X25MM) |
| 16 | CH9X-2044 | 4 | SCREW-TRUSS HEAD (M6X1X16MM) |
| 17 | 162-6757 | 1 | CUSHION-BASE |

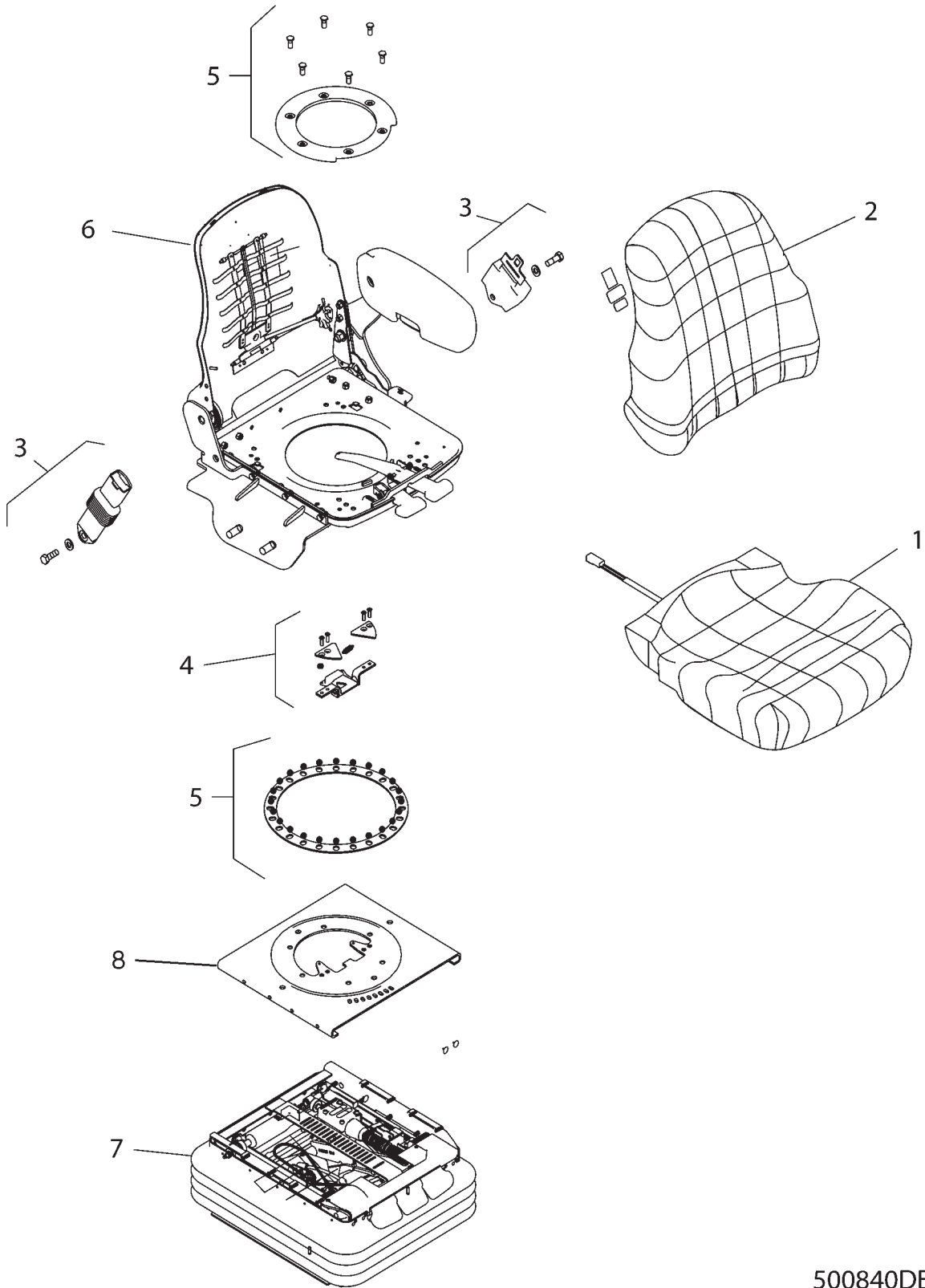
[A] PART OF 152-0012; 152-0013;
222-4146; 500841D1 CAB AR

00853227
PR: t05b22n43d0492

1116

MT800B SERIES TRACTORS
OPERATOR STATION

SEAT GP-BASIC
500840D1



500840DB

**MT800B SERIES TRACTORS
OPERATOR STATION**

1117

**SEAT GP-BASIC
500840D1**

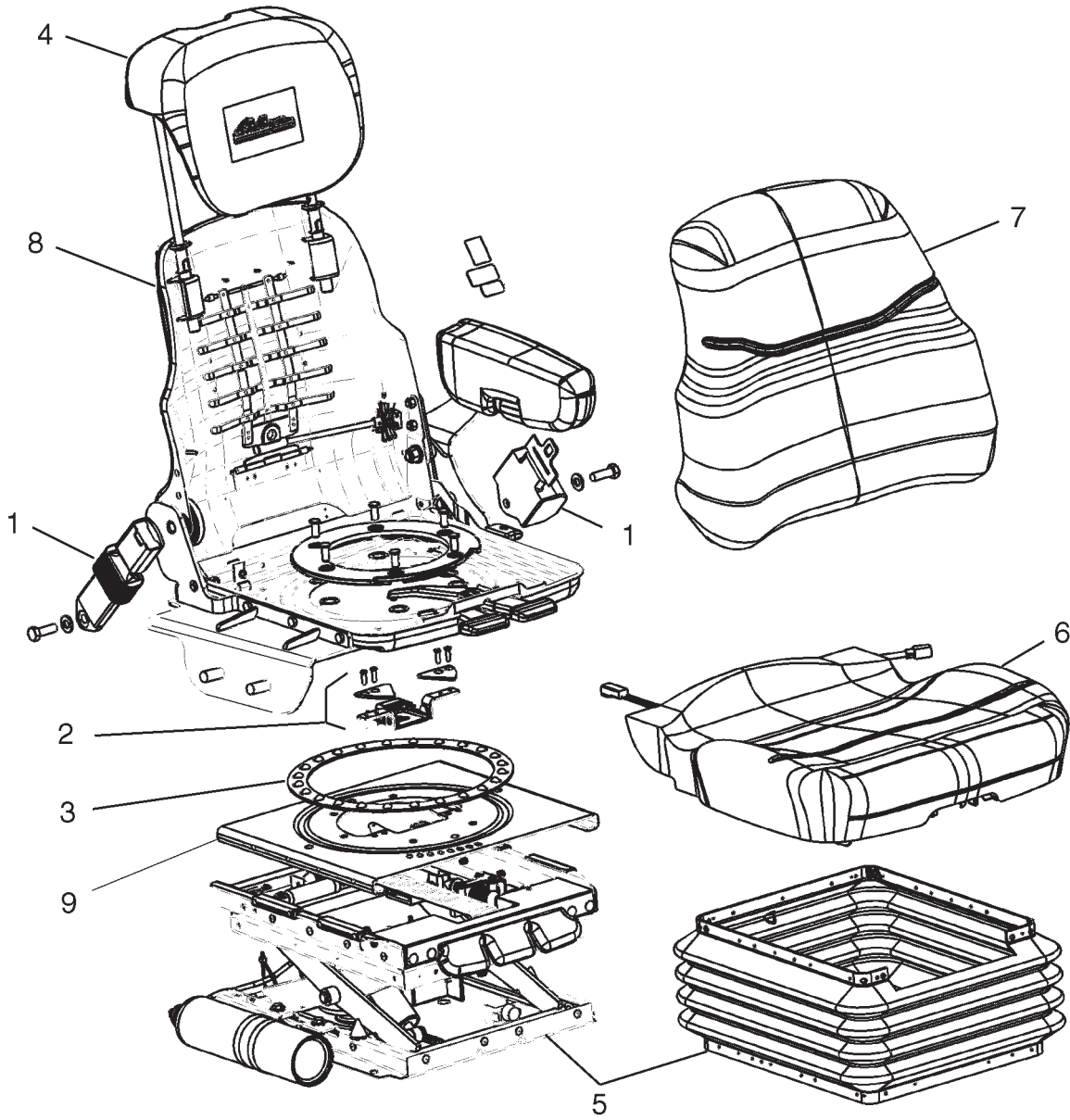
| ITEM | NUMBER | QTY | DESCRIPTION |
|------|----------|-----|--|
| - | 500840D1 | - | SEAT GP-BASIC |
| 1 | 197-4523 | 1 | KIT-SEAT CUSHION AS. (INCLS SWITCH) (SERVICED AS COMPLETE KIT ONLY) |
| 2 | 197-4524 | 1 | KIT-BACK CUSHION AS. (INCLS 2 SCREWS) (SERVICED AS COMPLETE KIT ONLY) |
| 3 | 197-4527 | 1 | KIT-SEAT BELT (SERVICED AS COMPLETE KIT ONLY) |
| 4 | 197-4529 | 1 | KIT-SLIDE LATCH AS. (SERVICED AS COMPLETE KIT ONLY) |
| 5 | 197-4550 | 1 | KIT-SWIVEL AS. (UPPER) (SERVICED AS COMPLETE KIT ONLY) |
| 6 | 220-2329 | 1 | KIT-SEAT AS. (LUMBAR) (SEE BREAKDOWN) |
| 7 | 501898D1 | 1 | KIT-SEAT SUSP AS. (SEE BREAKDOWN) |
| 8 | | 1 | PLATE WLMT, SWIVEL (LWR) (NOT SERVICED) |

500840DB
PR: t05b22n43d0493

1118

MT800B SERIES TRACTORS
OPERATOR STATION

SEAT GP - DELUXE
500853D1



500853DB

**MT800B SERIES TRACTORS
OPERATOR STATION**

1119

**SEAT GP - DELUXE
500853D1**

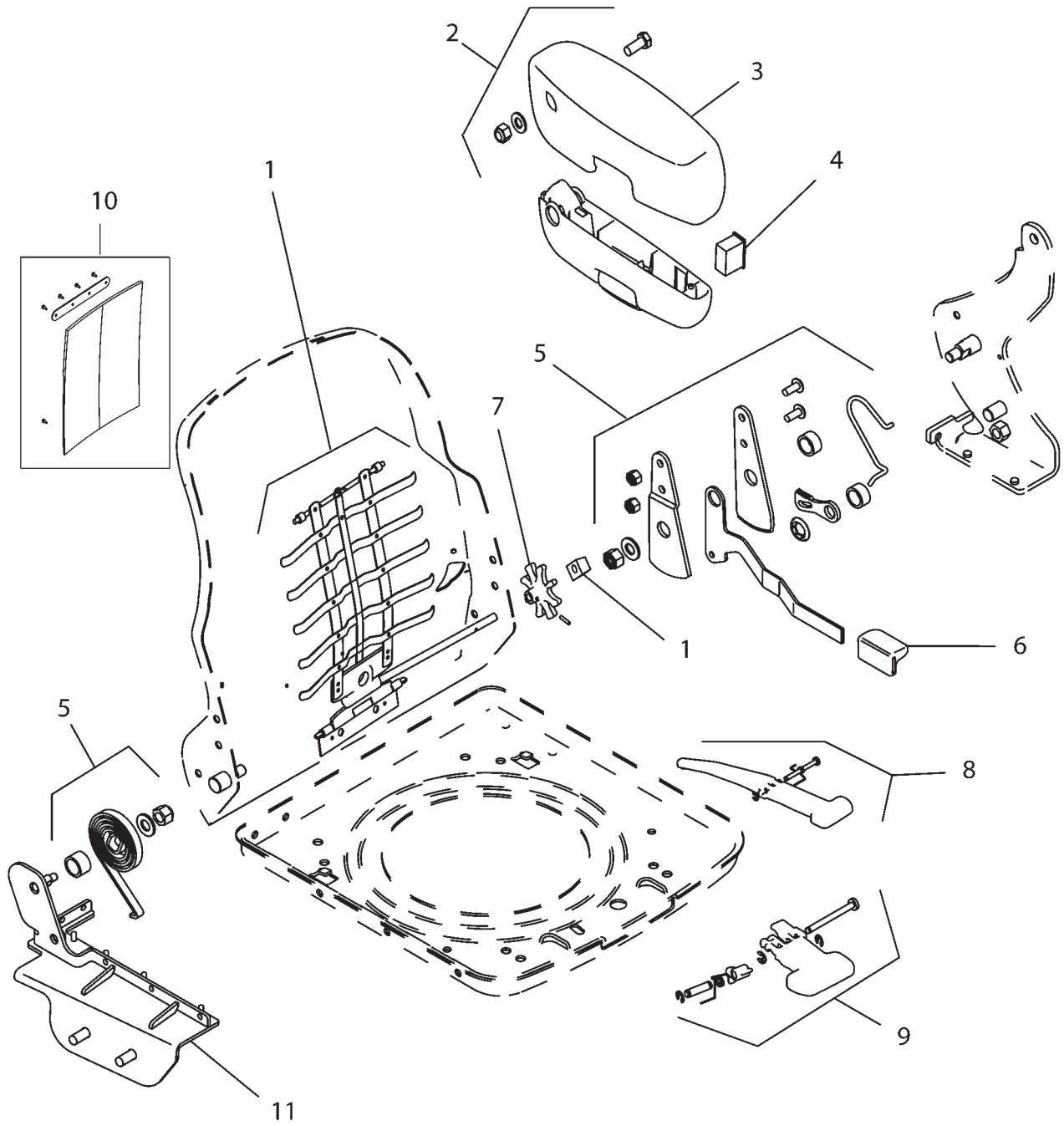
| ITEM | NUMBER | QTY | DESCRIPTION |
|------|----------|-----|---|
| - | 500853D1 | - | SEAT GP-DELUXE |
| 1 | 197-4527 | 1 | KIT-SEAT BELT (SERVICED AS COMPLETE KIT ONLY) |
| 2 | 197-4529 | 1 | KIT-SLIDE LATCH AS. (SERVICED AS COMPLETE KIT ONLY) |
| 3 | 197-4550 | 1 | KIT-SWIVEL AS. (UPPER) (SERVICED AS COMPLETE KIT ONLY) |
| 4 | 501908D1 | 1 | KIT-HEAD REST AS. (SERVICED AS COMPLETE KIT ONLY) |
| 5 | 501909D1 | 1 | KIT-SEAT SUSP AS. (SEE BREAKDOWN) |
| 6 | 501910D1 | 1 | KIT-SEAT CUSHION AS. (SERVICED AS COMPLETE KIT ONLY) |
| 7 | 501911D1 | 1 | KIT-BACK CUSHION AS. (SERVICED AS COMPLETE KIT ONLY) |
| 8 | 501912D1 | 1 | KIT-SEAT AS. (LUMBAR) (SEE BREAKDOWN) |
| 9 | | 1 | PLATE WLMT-SWIVEL (LOWER) (NOT SERVICED) |

500853DB
PR: t05b22n43d0494

1120

MT800B SERIES TRACTORS
OPERATOR STATION

KIT-SEAT AS (LUMBAR) - BASIC
220-2329



2202329D

**MT800B SERIES TRACTORS
OPERATOR STATION**

1121

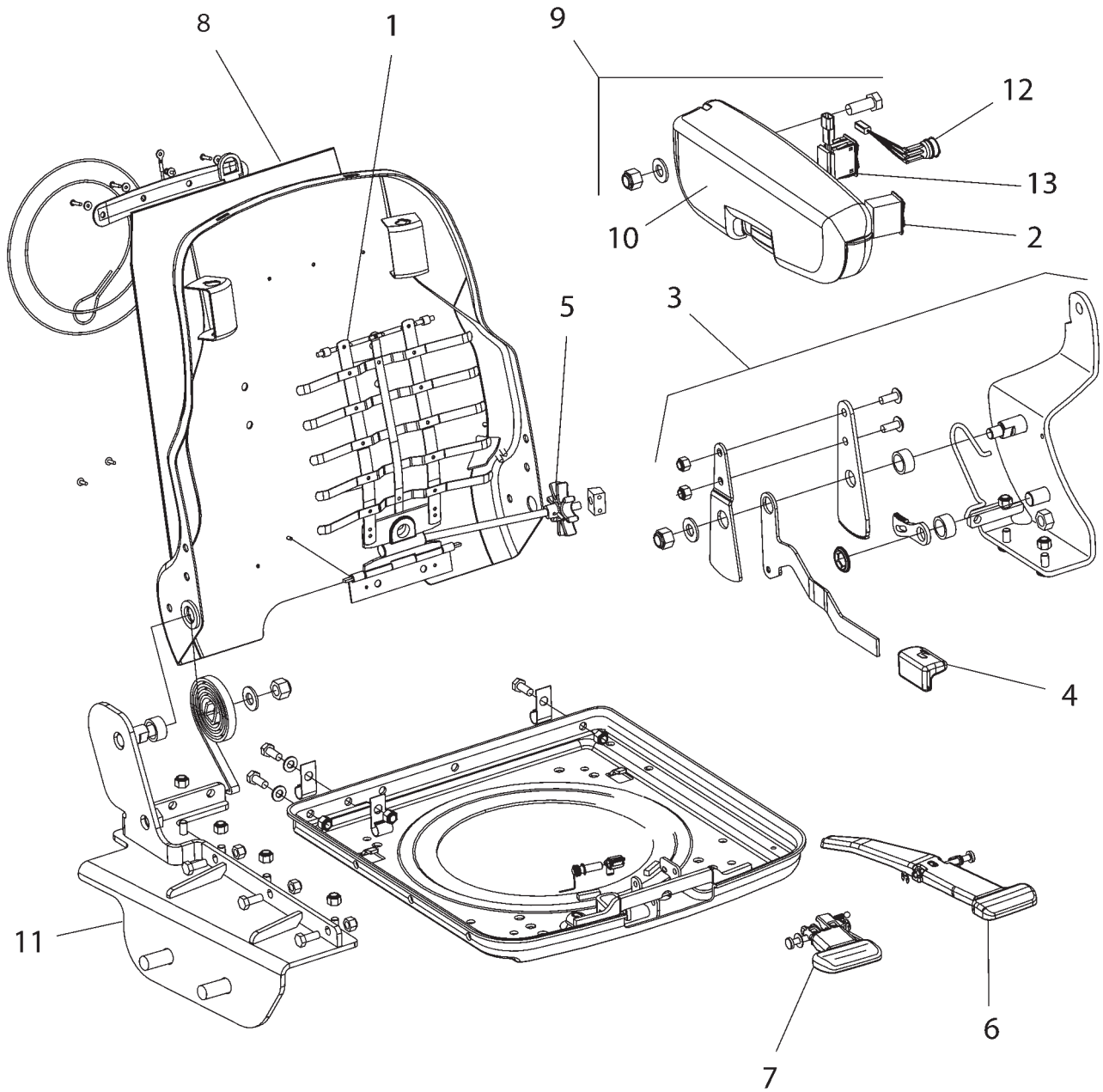
**KIT-SEAT AS (LUMBAR) - BASIC
220-2329**

| ITEM | NUMBER | QTY | DESCRIPTION |
|------|----------|-----|---|
| - | 220-2329 | - | KIT-SEAT ASM [A] (INCLS 1-11) |
| 1 | 197-4516 | 1 | KIT-LUMBAR AS. (SERVICED AS COMPLETE KIT ONLY) |
| 2 | 197-4517 | 1 | KIT-ARMREST AS., LH (INCLS IT 3) (SERVICED AS COMPLETE KIT ONLY) |
| 3 | 197-4518 | 1 | KIT-ARMREST (SERVICED AS COMPLETE KIT ONLY) |
| 4 | 197-4519 | 1 | KIT-SWITCH (HEIGHT ADJUSTMENT) (SERVICED AS COMPLETE KIT ONLY) |
| 5 | 197-4520 | 1 | KIT-RECLINER AS. (INCLS IT 6) (SERVICED AS COMPLETE KIT ONLY) |
| 6 | 197-4521 | 1 | KIT-KNOB (BACKREST ANGLE ADJUSTMENT) (SERVICED AS COMPLETE KIT ONLY) |
| 7 | 197-4522 | 1 | KIT-KNOB-LUMBAR ADJ. (INCLS ROLL PIN) (SERVICED AS COMPLETE KIT ONLY) |
| 8 | 197-4525 | 1 | KIT-LEVER (FORE/AFT ADJUSTMENT) (SERVICED AS COMPLETE KIT ONLY) |
| 9 | 197-4526 | 1 | KIT-LEVER (SWIVEL) (SERVICED AS COMPLETE KIT ONLY) |
| 10 | 227-9744 | 1 | KIT-MANUAL HOLDER (SERVICED AS COMPLETE KIT ONLY) |
| 11 | 220-2333 | 1 | KIT-BRACKET AS (SEE RH CONSOLE FOR SUPT) (SERVICED AS COMPLETE KIT ONLY) |

[A] PART OF 161-9200 SEAT GP-SUSPENSION
PART OF 500840D1 SEAT GP-BASIC

2202329D
PR: t05b22n43d0495

KIT-SEAT AS (LUMBAR) - DELUXE
501912D1



**MT800B SERIES TRACTORS
OPERATOR STATION**

1123

**KIT-SEAT AS (LUMBAR) - DELUXE
501912D1**

| ITEM | NUMBER | QTY | DESCRIPTION |
|------|----------|-----|--|
| - | 501912D1 | - | KIT-SEAT AS.-LUMBAR (COMPLETE) [A] |
| 1 | 197-4516 | 1 | KIT-LUMBAR AS. (SERVICED AS COMPLETE KIT ONLY) |
| 2 | 197-4519 | 1 | KIT-SWITCH (HEIGHT ADJUSTMENT) (SERVICED AS COMPLETE KIT ONLY) |
| 3 | 197-4520 | 1 | KIT-RECLINER AS. (INCLS IT 4) (SERVICED AS COMPLETE KIT ONLY) |
| 4 | 197-4521 | 1 | KIT-RECLINER KNOB (SERVICED AS COMPLETE KIT ONLY) |
| 5 | 197-4522 | 1 | KIT-LUMBAR KNOB (SERVICED AS COMPLETE KIT ONLY) |
| 6 | 197-4525 | 1 | KIT-LEVER AS. (SERVICED AS COMPLETE KIT ONLY) |
| 7 | 197-4526 | 1 | KIT-LEVER AS. (SERVICED AS COMPLETE KIT ONLY) |
| 8 | 501899D1 | 1 | KIT-MANUAL HOLDER (SERVICED AS COMPLETE KIT ONLY) |
| 9 | 501913D1 | 1 | KIT-ARMREST AS. (LH) (INCLS IT 10) (SERVICED AS COMPLETE KIT ONLY) |
| 10 | 501914D1 | 1 | KIT-ARMREST (LH) (FORMED CUSHION ONLY) (SERVICED AS COMPLETE KIT ONLY) |
| 11 | 501915D1 | 1 | KIT-BRACKET WLMT. |
| 12 | | 1 | SWITCH (HEATER) |
| 13 | 501921D1 | 1 | KIT-RIDE CONTROL SWITCH (INCLS HARNESS) [B] (SERVICED AS COMPLETE KIT ONLY) |

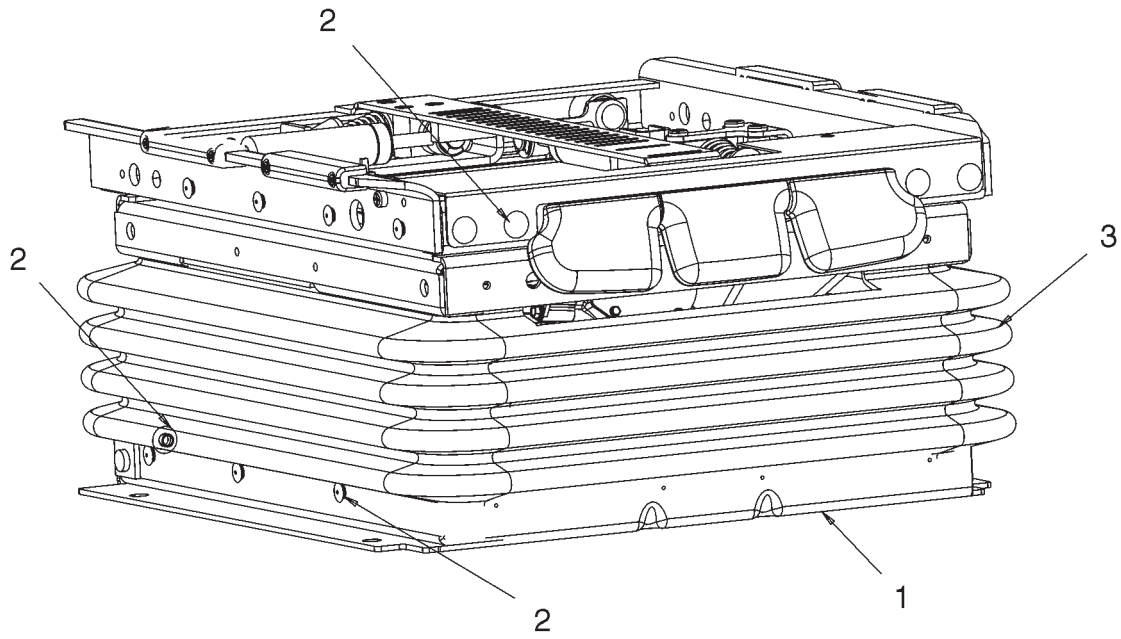
[A] PART OF 500853D1 SEAT GP.-DELUXE
[B] KIT NOT IN GP. SEE 501916D1 SUSP GP.

501912DB
PR: t05b22n43d0496

1124

MT800B SERIES TRACTORS
OPERATOR STATION

KIT-SEAT SUSPENSION - BASIC
501898D1



501898DC

**MT800B SERIES TRACTORS
OPERATOR STATION**

1125

**KIT-SEAT SUSPENSION - BASIC
501898D1**

| ITEM | NUMBER | QTY | DESCRIPTION |
|------|----------|-----|--|
| - | 501898D1 | - | KIT-SEAT SUSPENSION [A] |
| 1 | 501900D1 | 1 | SUSPENSION GP-SEAT (SEE BREAKDOWN FOR COMPONENTS) |
| 2 | 197-4544 | 1 | KIT-FASTENER (SERVICED AS COMPLETE KIT ONLY) |
| 3 | 197-4546 | 1 | KIT-BOOT (SERVICED AS COMPLETE KIT ONLY) |

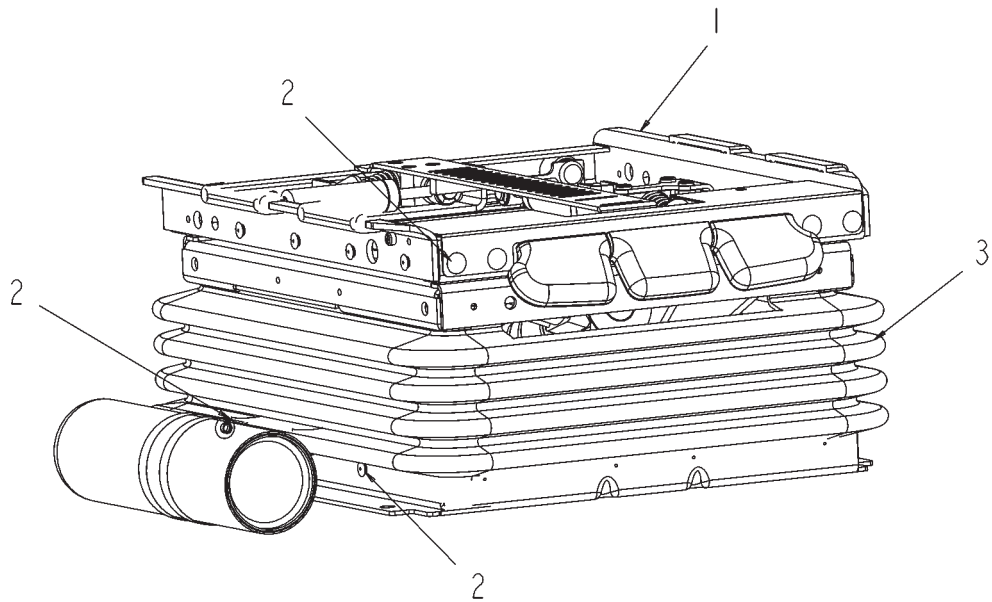
[A] PART OF 500840D1 SEAT GP-BASIC

501898DC
PR: t05b22n43d0497

1126

MT800B SERIES TRACTORS
OPERATOR STATION

KIT-SEAT SUSPENSION - DELUXE
501909D1



501909DB

**MT800B SERIES TRACTORS
OPERATOR STATION**

1127

**KIT-SEAT SUSPENSION - DELUXE
501909D1**

| ITEM | NUMBER | QTY | DESCRIPTION |
|------|----------|-----|--|
| - | 501909D1 | - | KIT-SEAT SUSPENSION [A] |
| 1 | 501916D1 | 1 | SUSPENSION GP-SEAT (SEE BREAKDOWN FOR COMPONENTS) |
| 2 | 197-4544 | 1 | KIT-FASTENER (SERVICED AS COMPLETE KIT ONLY) |
| 3 | 197-4546 | 1 | KIT-BOOT (SERVICED AS COMPLETE KIT ONLY) |

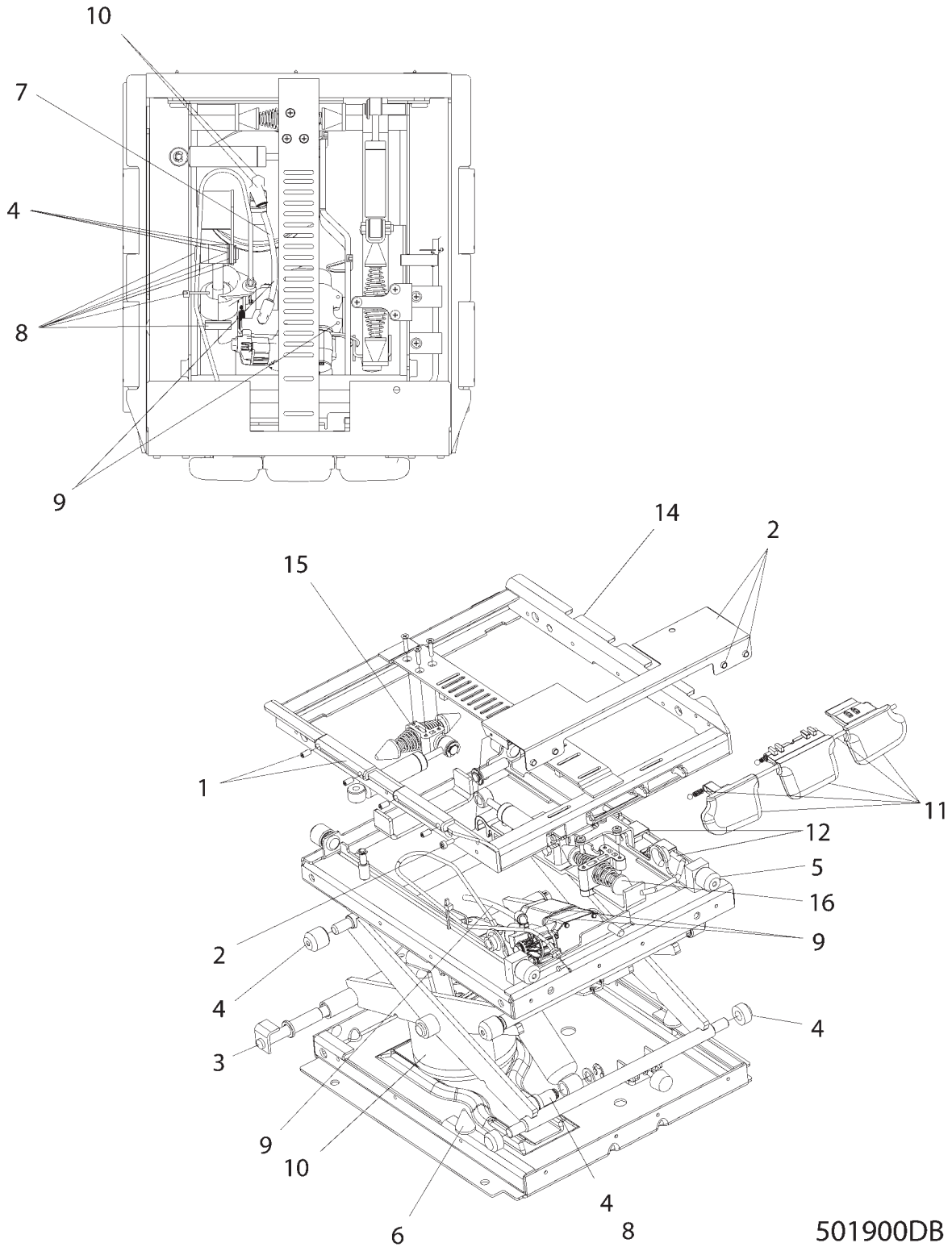
[A] PART OF 500853D1 SEAT GP-DELUXE

501909DB
PR: t05b22n43d0498

1128

MT800B SERIES TRACTORS OPERATOR STATION

KIT-SUSPENSION GP-BASIC SEAT 501900D1



501900DB

**MT800B SERIES TRACTORS
OPERATOR STATION**

1129

**KIT-SUSPENSION GP-BASIC SEAT
501900D1**

| ITEM | NUMBER | QTY | DESCRIPTION |
|------|----------|-----|---|
| - | 501900D1 | - | KIT-SUSPENSION GP-SEAT |
| 1 | 197-4530 | 1 | KIT-PUCK AS. (SLIDE) (SERVICED AS COMPLETE KIT ONLY) |
| 2 | 197-4531 | 1 | KIT-COVER PLATE AS. (SERVICED AS COMPLETE KIT ONLY) |
| 3 | 197-4532 | 1 | KIT-BEARING SHAFT (SERVICED AS COMPLETE KIT ONLY) |
| 4 | 197-4533 | 1 | KIT-ROLLER BEARINGS (SERVICED AS COMPLETE KIT ONLY) |
| 5 | 197-4534 | 1 | KIT-ISOLATOR ROLLER (SERVICED AS COMPLETE KIT ONLY) |
| 6 | 197-4537 | 1 | KIT-BUMPER AS. (SUSP) (SERVICED AS COMPLETE KIT ONLY) |
| 7 | 197-4538 | 1 | KIT-AIRLINE AS. (INCLS TUBE & FITTINGS) (SERVICED AS COMPLETE KIT ONLY) |
| 8 | 197-4539 | 1 | KIT-SHOCK AS. (SUSP) (SERVICED AS COMPLETE KIT ONLY) |
| 9 | 197-4540 | 1 | KIT-COMPRESSOR AS (SERVICED AS COMPLETE KIT ONLY) |
| 10 | 197-4541 | 1 | KIT-AIR SPRING AS. (SERVICED AS COMPLETE KIT ONLY) |
| 11 | 197-4545 | 1 | KIT-KNOBS AS. (SERVICED AS COMPLETE KIT ONLY) |
| 12 | 197-4547 | 1 | KIT-FORE/AFT (SERVICED AS COMPLETE KIT ONLY) |
| 13 | 501902D1 | 1 | KIT-HARNESS (SUSPENSION) (NOT SHOWN) (SERVICED AS COMPLETE KIT ONLY) |
| 14 | 501903D1 | 1 | FRAME WLMT, ISOLATOR-LATERAL |
| 15 | 501906D1 | 1 | KIT-SPRING & SHOCK AS. (INCLS SCREWS & RETAINING RING) (SERVICED COMPLETE) |
| 16 | 501907D2 | 1 | KIT-SPRING & SHOCK AS. (SERVICED AS COMPLETE KIT ONLY) |

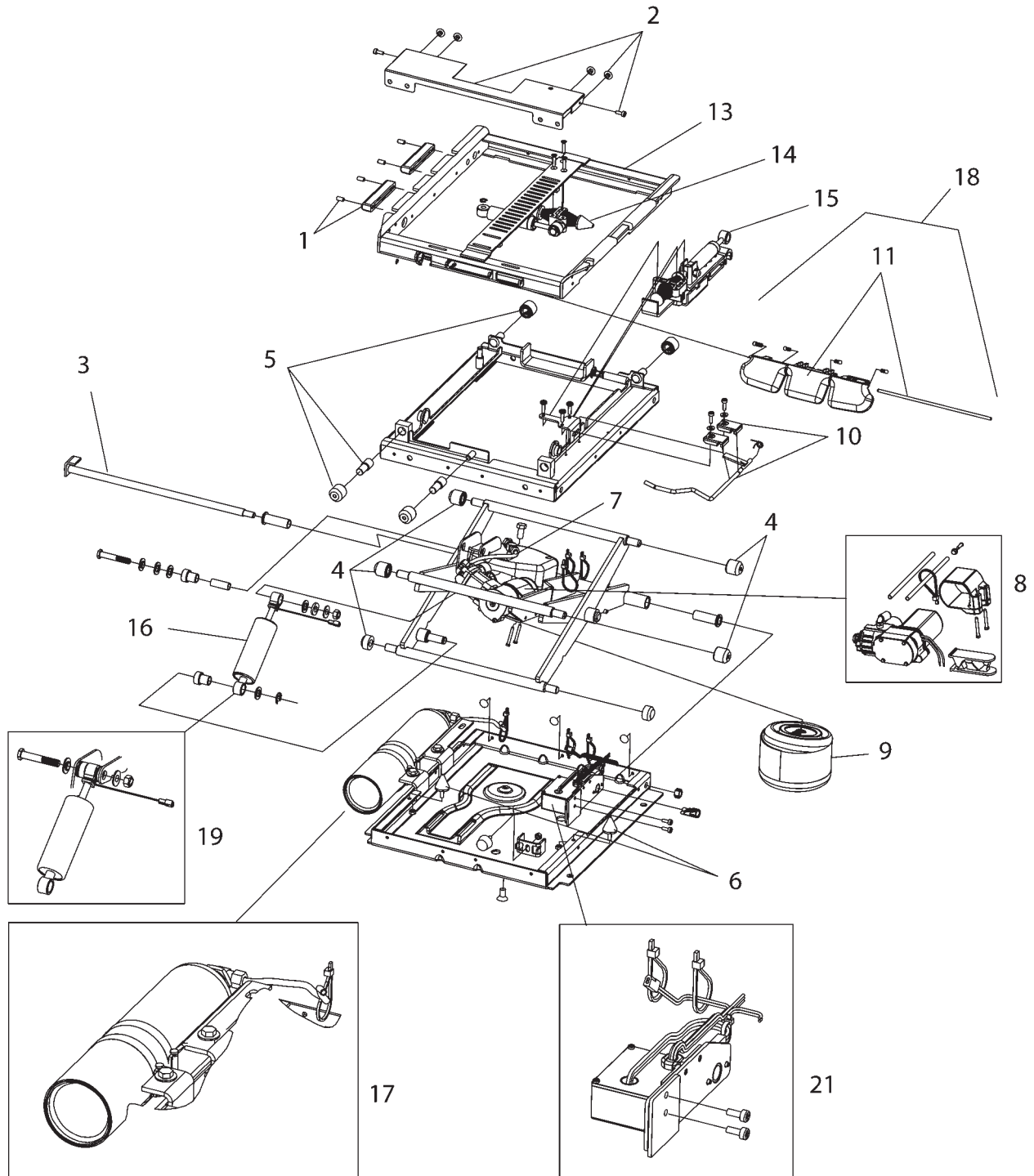
PART OF 501898D1 KIT-SEAT SUSPENSION

501900DB
PR: t05b22n43d0499

1130

MT800B SERIES TRACTORS
OPERATOR STATION

KIT-SUSPENSION GP - DELUXE SEAT
501916D1



501916DB

**MT800B SERIES TRACTORS
OPERATOR STATION**

1131

**KIT-SUSPENSION GP - DELUXE SEAT
501916D1**

| ITEM | NUMBER | QTY | DESCRIPTION |
|------|----------|-----|--|
| - | 501916D1 | - | KIT-SUSPENSION GP (SEAT) [A] |
| 1 | 197-4530 | 1 | KIT-PUCK AS. (SLIDE) (SERVICED AS COMPLETE KIT ONLY) |
| 2 | 197-4531 | 1 | KIT-COVER PLATE AS. (SERVICED AS COMPLETE KIT ONLY) |
| 3 | 197-4532 | 1 | KIT-BEARING SHAFT (SERVICED AS COMPLETE KIT ONLY) |
| 4 | 197-4533 | 1 | KIT-ROLLER BEARINGS (SERVICED AS COMPLETE KIT ONLY) |
| 5 | 197-4534 | 1 | KIT-ISOLATOR ROLLER (SERVICED AS COMPLETE KIT ONLY) |
| 6 | 197-4537 | 1 | KIT-BUMPER AS. (SUSP) (SERVICED AS COMPLETE KIT ONLY) |
| 7 | 197-4538 | 1 | KIT-AIRLINE AS. (INCLS TUBE & FITTINGS) (SERVICED AS COMPLETE KIT ONLY) |
| 8 | 197-4540 | 1 | KIT-COMPRESSOR AS (SERVICED AS COMPLETE KIT ONLY) |
| 9 | 197-4541 | 1 | KIT-AIR SPRING AS. (SERVICED AS COMPLETE KIT ONLY) |
| 10 | 197-4547 | 1 | KIT-FORE/AFT (SERVICED AS COMPLETE KIT ONLY) |
| 11 | 197-4548 | 1 | KIT-CONTROL(LATERAL (SERVICED AS COMPLETE KIT ONLY) |
| 12 | 501902D1 | 1 | KIT-HARNESS (SUSPENSION) (NOT SHOWN) (SERVICED AS COMPLETE KIT ONLY) |
| 13 | 501903D1 | 1 | FRAME WLMT, ISOLATOR-LATERAL |
| 14 | 501906D1 | 1 | KIT-SPRING & SHOCK AS. (INCLS SCREWS & RETAINING RING) (SERVICED COMPLETE) |
| 15 | 501907D2 | 1 | KIT-SPRING & SHOCK AS. (SERVICED AS COMPLETE KIT ONLY) |
| 16 | 501917D1 | 1 | SHOCK (SUSP) (SHOCK ONLY) |
| 17 | 501918D1 | 1 | KIT-AIR TANK (W/FITTINGS, LINES, CLAMPS AND BRACKET) (SERVICED AS COMPLETE KIT ONLY) |
| 18 | 501919D1 | 1 | KIT-KNOB AS. (SUSP) (INCLS ITEM 11) (SERVICED AS COMPLETE KIT ONLY) |
| 19 | 501920D1 | 1 | KIT-CONTROL AS. (SHOCK) (INCLS ITEM 16) (SERVICED AS COMPLETE KIT ONLY) |
| 20 | 501921D1 | 1 | KIT-RIDE CNTRL SWITCH (INCL HARNESS) [B] (NOT SHOWN) (SERVICED AS KIT ONLY) |
| 21 | 501922D1 | 1 | KIT-CONTROL DAMPER (SERVICED AS COMPLETE KIT ONLY) |

[A] PART OF 501909D1 KIT-SEAT
SUSPENSION

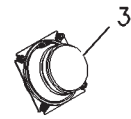
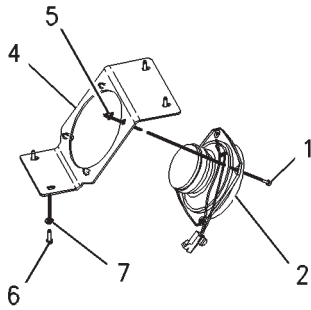
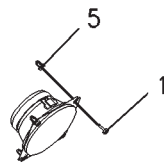
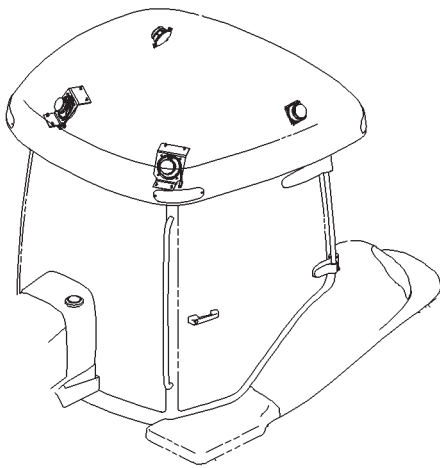
[B] SWITCH ON LH ARMREST. REFER TO
501912D1 KIT SEAT-LUMBAR-DELUXE

501916DB
PR: t05b22n43d0500

1132

MT800B SERIES TRACTORS
OPERATOR STATION

SPEAKER GP-RADIO
152-0419



**MT800B SERIES TRACTORS
OPERATOR STATION**

1133

**SPEAKER GP-RADIO
152-0419**

| ITEM | NUMBER | QTY | DESCRIPTION |
|------|------------|-----|-------------------------------------|
| - | 152-0419 | - | SPEAKER GP-RADIO [A] (NOT SERVICED) |
| 1 | CH119-5026 | 16 | SCREW-PAN HEAD (10-16X0.63 IN) |
| 2 | CH136-5414 | 2 | SPEAKER (FRONT) |
| 3 | CH136-5415 | 2 | SPEAKER (REAR) |
| 4 | 195-2612 | 2 | BRACKET |
| 5 | 400086X1 | 16 | NUT, EXPANSION (7MM)(PLASTIC) |
| 6 | CH110-2028 | 8 | SCREW-PAN HEAD (10-14X.75 IN) |
| 7 | 400310X1 | 8 | WASHER (6.6X12X2) |

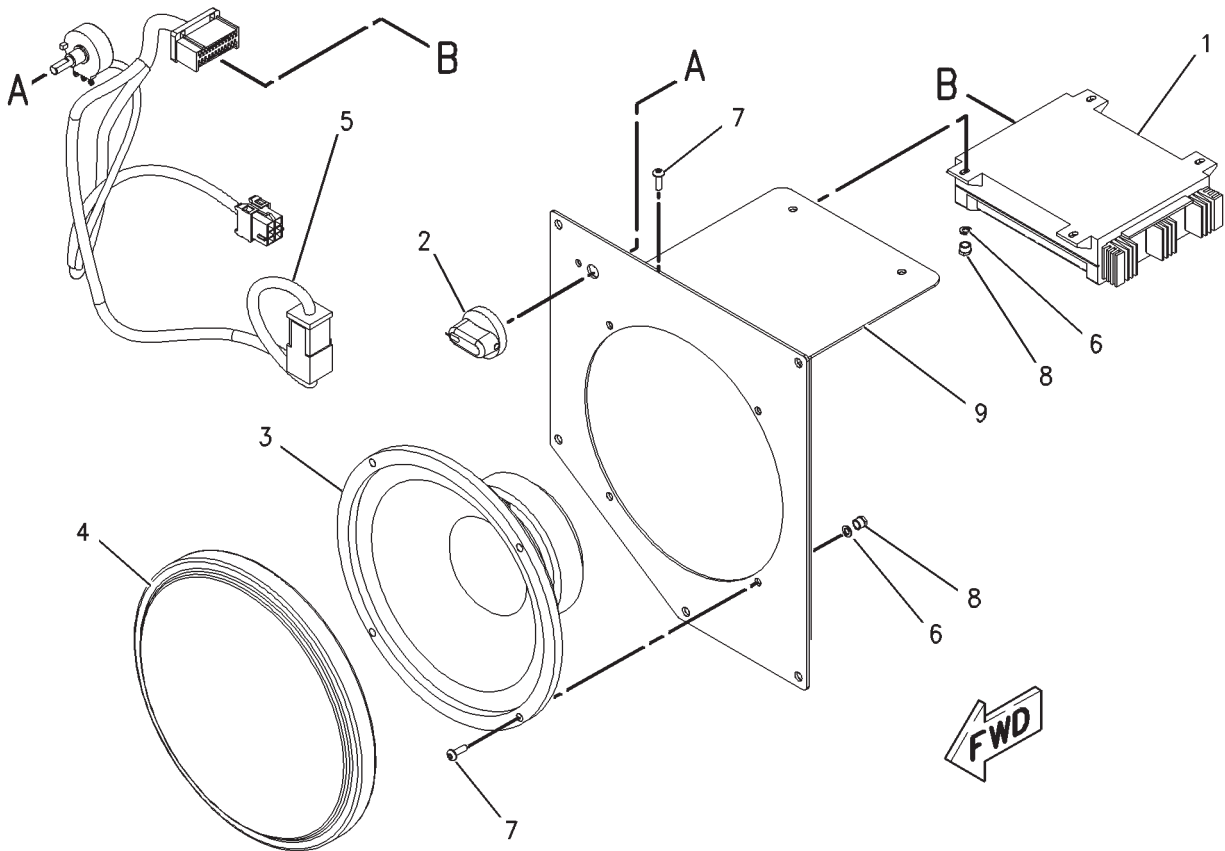
[A] PART OF 152-0012; 222-4146
500841D1 CAB AR

00870222
PR: t05b22n43d0501

1134

MT800B SERIES TRACTORS
OPERATOR STATION

SPEAKER GP-RADIO - SUBWOOFER
173-6506



00786642

MT800B SERIES TRACTORS
OPERATOR STATION

1135

SPEAKER GP-RADIO - SUBWOOFER
173-6506

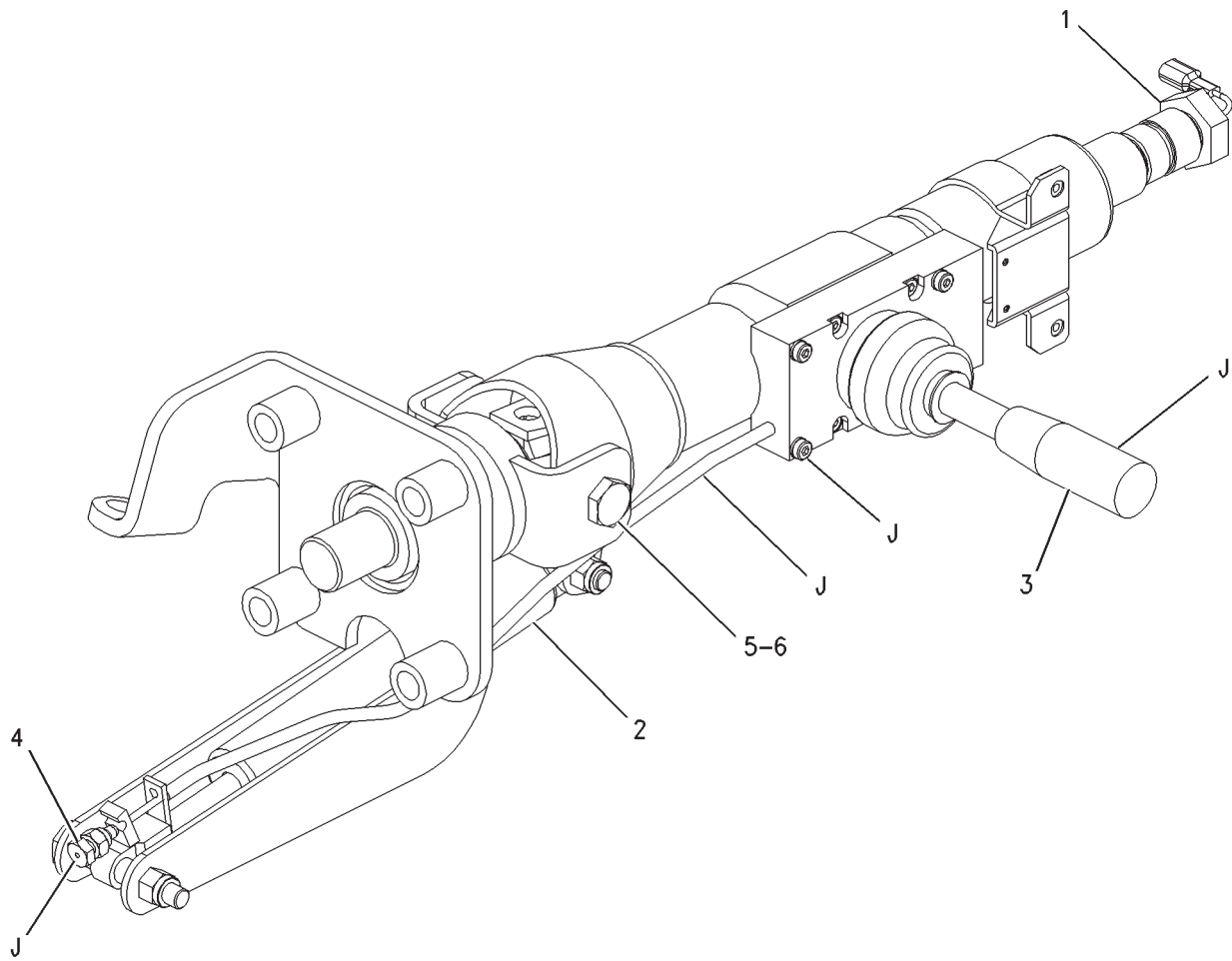
| ITEM | NUMBER | QTY | DESCRIPTION |
|------|------------|-----|---------------------------------|
| - | 173-6506 | - | SPEAKER GP-RADIO (NOT SERVICED) |
| 1 | CH136-5434 | 1 | AMPLIFIER ASM |
| 2 | 500419D1 | 1 | KNOB-CONTROL (BASS VOLUME) |
| 3 | 170-7255 | 1 | SPEAKER |
| 4 | 172-6842 | 1 | GRILL |
| 5 | 502191D1 | 1 | HARNESS (SUBWOOFER) |
| 6 | CH8C-9660 | 8 | WASHER (4.6X7.9X0.8) |
| 7 | CH7Y-3173 | 8 | SCREW-BUTTON HEAD (M4X0.7X12MM) |
| 8 | CH8T-2659 | 8 | LOCKNUT (M4X0.7) |
| 9 | 189-9922 | 1 | PLATE ASM |

00786642
PR: t05b22n43d0502

1136

MT800B SERIES TRACTORS
OPERATOR STATION

STEERING COLUMN GP - CH166-3611



00830593

MT800B SERIES TRACTORS
OPERATOR STATION

1137

STEERING COLUMN GP - CH166-3611

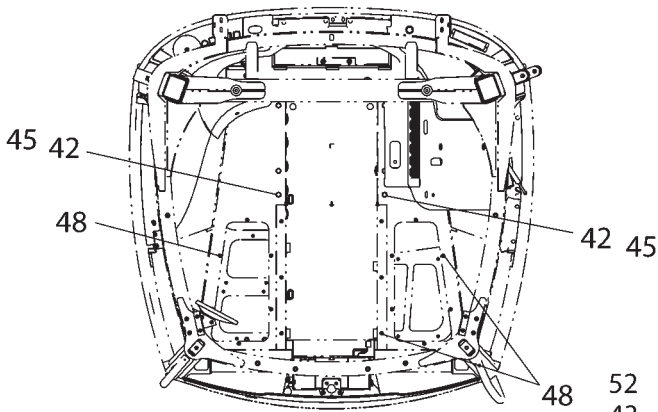
| ITEM | NUMBER | QTY | DESCRIPTION |
|------|------------|-----|--|
| - | CH166-3611 | - | STEERING COLUMN GP [A] |
| 1 | CH6V-8227 | 1 | NUT (M18X1.5) |
| 2 | CH162-8550 | 1 | KIT-GAS STRUT (STEERING COLUMN) |
| 3 | CH191-3701 | 1 | CONTROL GP-STEERING COLUMN (TILT/TELESCOPE) (INCL... LEVER,CLAMP,SCREW & ITEM 4) |
| 4 | CH185-3886 | 1 | CLAMP ASM-CABLE |
| 5 | CH196-3699 | 2 | PIN-PIVOT |
| 6 | CH196-3698 | 2 | BUSHING-PIVOT |

[A] PART OF 500768D1 CONSOLE GP

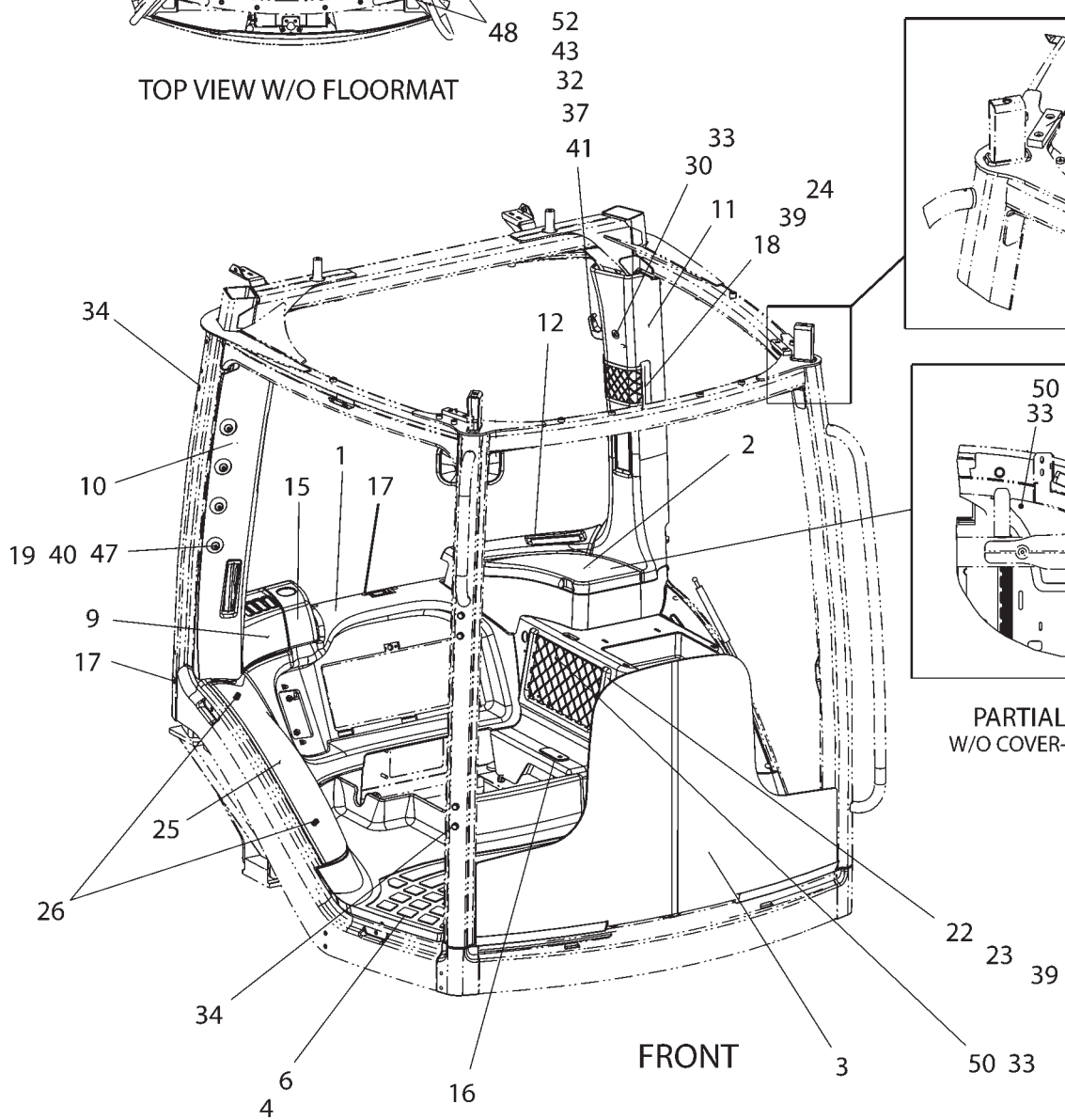
00830593
PR: t05b22n43d0503

MT800B SERIES TRACTORS
OPERATOR STATION

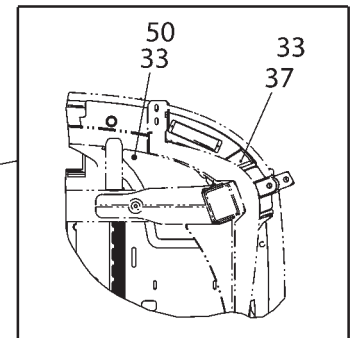
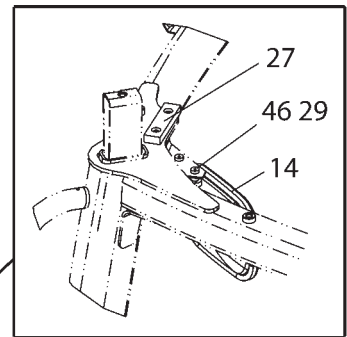
TRIM GP-CAB - 224-3917
1 OF 2



TOP VIEW W/O FLOORMAT



FRONT



PARTIAL TOP VIEW
W/O COVER-LH AND LID AS

**MT800B SERIES TRACTORS
OPERATOR STATION**

1139

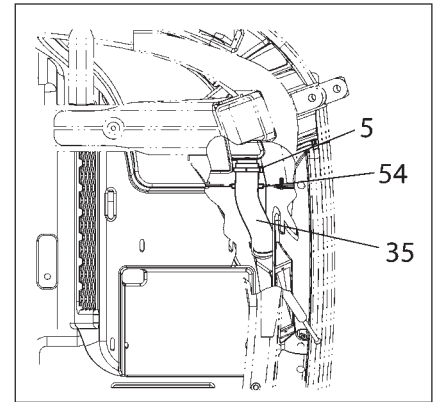
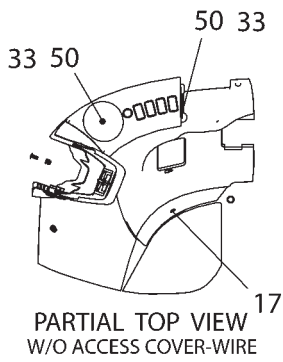
TRIM GP-CAB - 224-3917
1 OF 2

| ITEM | NUMBER | QTY | DESCRIPTION |
|------|------------|-----|---------------------------------------|
| - | 224-3917 | - | TRIM GP [A] (NOT SERVICED) |
| 1 | 162-6751 | 1 | CONSOLE AS-CENTER |
| 2 | 179-2957 | 1 | LID AS |
| 3 | 227-4312 | 1 | MAT-FRONT GLASS |
| 4 | 227-4313 | 1 | MAT-FLOOR |
| 6 | 152-0431 | 1 | FLOOR MAT |
| 9 | 164-7069 | 1 | COVER |
| 10 | 169-6342 | 1 | COVER AS (RH) |
| 11 | 169-6343 | 1 | COVER AS (LH) |
| 12 | 169-6344 | 1 | COMPARTMENT AS |
| 14 | CH169-6352 | 1 | MIRROR (INTERIOR CAB) |
| 15 | 169-6383 | 1 | COVER-WIRE (DOES NOT INCL SEAL) |
| | 164-7017 | 1 | SEAL-WIRING (FOR ITEM 15) (NOT SHOWN) |
| 16 | 174-5774 | 1 | GROMMET-BRAKE |
| 17 | 400110X1 | 16 | FASTENER |
| 18 | 174-5788 | 2 | RETAINER |
| 19 | CH174-5789 | 4 | PLUG-MONITOR |
| 22 | 180-2825 | 1 | RETAINER |
| 23 | 184-1704 | 1 | HOLDER-STORAGE |
| 24 | 190-8326 | 1 | HOLDER-STORAGE |
| 25 | 197-5852 | 1 | COVER AS |
| 26 | CH197-5854 | 2 | LATCH |
| 27 | CH217-2132 | 2 | SEAL |
| 29 | CH096-6166 | 2 | WASHER-HARD (4.5X9X1MM THK) |
| 30 | CH111-4627 | 1 | SCREW-MACHINE (M6X1.0X30MM) |
| 32 | CH129-3178 | 2 | LOCKNUT (M6X1 THD) |
| 33 | 400085X1 | 8 | NUT-RETAINER (M6X1X1.63-3.8 PANEL) |
| 34 | CH193-5914 | 6 | PLUG |
| 37 | CH3E-8020 | 2 | SCREW-TRUSS HEAD (M6X1X25MM) |
| 39 | CH5V-1496 | 9 | RETAINER |
| 40 | CH6V-5839 | 4 | WASHER (11X21X2.5MM THK) |
| 41 | CH6V-8928 | 1 | HOOK-COAT |
| 42 | 400039X1 | 6 | BOLT (M10X1.5X25MM) |
| 43 | 400221X1 | 1 | BOLT (M6X1X20MM) |
| 45 | CH8T-7934 | 6 | WASHER (11X21X5MM THK) |
| 46 | CH9X-1046 | 2 | SCREW (M4X0.7X18MM) |
| 47 | CH9X-2040 | 6 | SCREW-TRUSS HEAD (M10X1.5X25MM) |
| 48 | CH9X-2042 | 21 | SCREW-TRUSS HEAD (M6X1X12MM) |
| 50 | CH9X-2045 | 5 | SCREW-TRUSS HEAD (M6X1X20MM) |
| 52 | 400310X1 | 2 | WASHER |

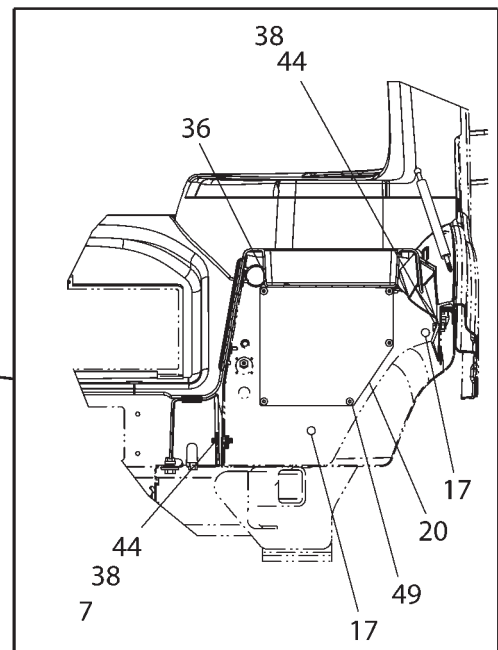
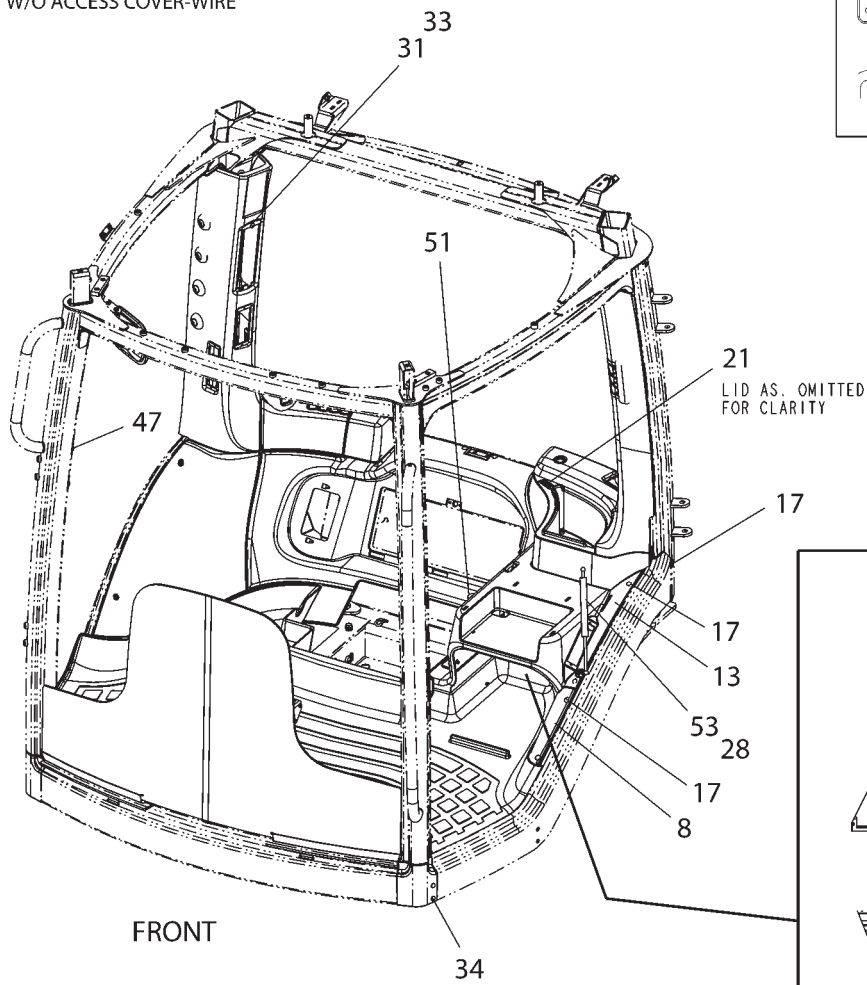
[A] PART OF: 152-0008; 152-0009;
152-0012; 152-0013; 222-4146;
500763D1; 500764D1; 500767D1;
500841D1; 500842D1; 500843D1;
500844D1; 500849D1 CAB AR

2243917A
PR: t05b22n43d0504

TRIM GP-CAB - 224-3917
2 OF 2



PARTIAL TOP VIEW



**MT800B SERIES TRACTORS
OPERATOR STATION**

1141

**TRIM GP-CAB - 224-3917
2 OF 2**

| ITEM | NUMBER | QTY | DESCRIPTION |
|------|------------|-----|------------------------------------|
| - | 224-3917 | - | TRIM GP [A] (NOT SERVICED) |
| 5 | CH7K-1181 | 2 | STRAP-CABLE |
| 7 | CH154-9989 | 2 | SPRING CLIP |
| 8 | 162-6752 | 1 | CONSOLE-LH |
| 13 | 169-6345 | 1 | SUPPORT AS |
| 17 | 400110X1 | 16 | FASTENER |
| 20 | 178-6238 | 1 | COVER-SUBWOOFER |
| 21 | CH179-2959 | 1 | MAGNET |
| 28 | CH090-9555 | 2 | CLIP |
| 31 | CH121-9870 | 1 | SCREW-MACHINE (M6X1X40MM) |
| 33 | 400085X1 | 8 | NUT-RETAINER (M6X1X1.63-3.8 PANEL) |
| 34 | CH193-5914 | 6 | PLUG |
| 35 | CH208-5521 | 1 | HOSE (192MM) |
| 36 | 400106X1 | 1 | PLUG-RUBBER (35MM) |
| 38 | 400599X1 | 4 | WASHER-HARD (8.8X20.5X2MM THK) |
| 44 | 400053X1 | 4 | BOLT (M8X1.25X20MM) |
| 47 | CH9X-2040 | 6 | SCREW-TRUSS HEAD (M10X1.5X25MM) |
| 49 | CH9X-2044 | 5 | SCREW-TRUSS HEAD (M6X1X16MM) |
| 51 | 400113X1 | 1 | GROMMET |
| 53 | 501026D1 | 1 | SPRING AS-GAS |
| 54 | CH9X-2092 | AR | STRIP-EDGE (8 CM) |

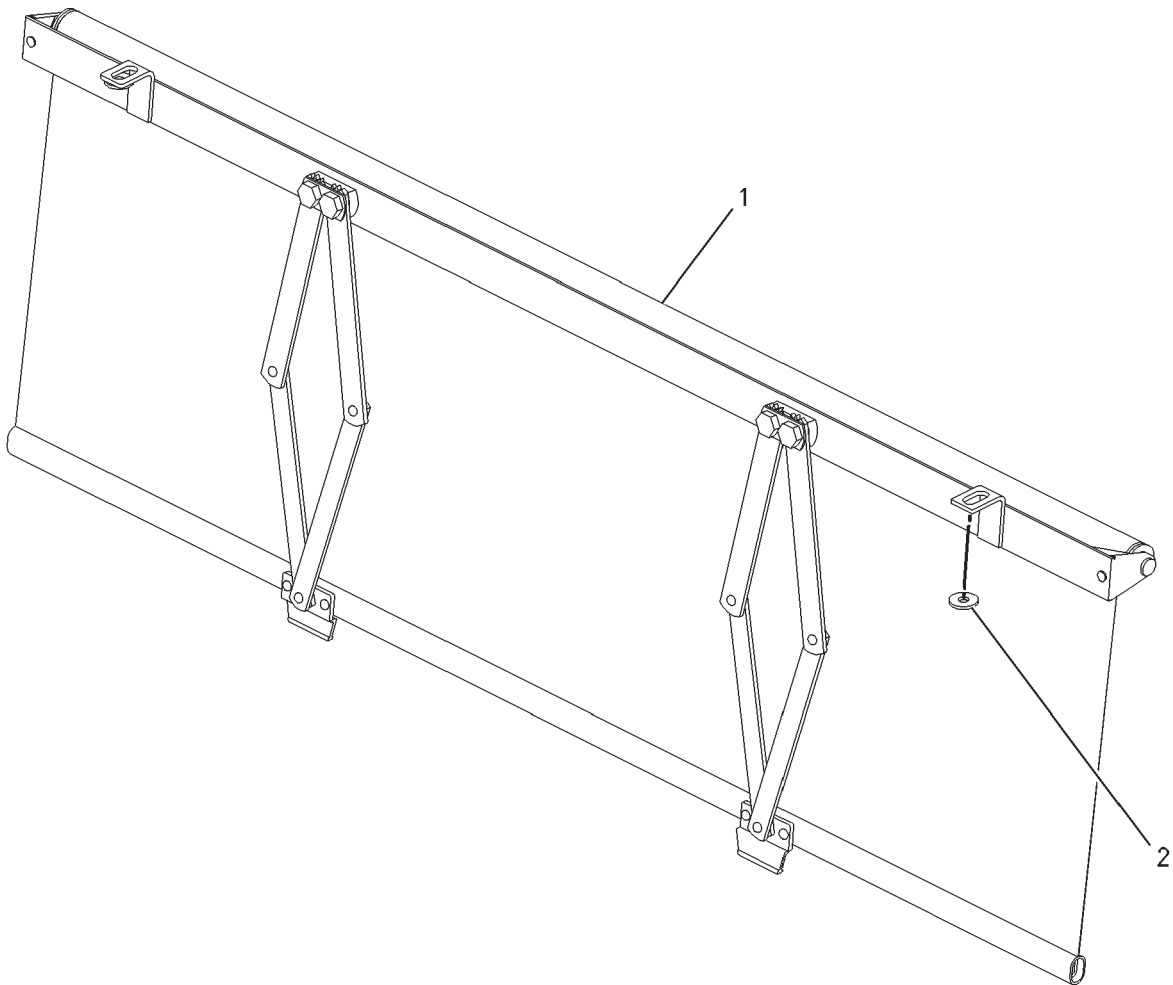
[A] PART OF: 152-0008; 152-0009;
152-0012; 152-0013; 222-4146;
500763D1; 500764D1; 500767D1;
500841D1; 500842D1; 500843D1;
500844D1; 500849D1 CAB AR

2243917B
PR: t05b22n43d0505

1142

MT800B SERIES TRACTORS
OPERATOR STATION

VISOR GP-CAB (SUN VISOR) - FRONT
152-0424



00867693

MT800B SERIES TRACTORS
OPERATOR STATION

1143

VISOR GP-CAB (SUN VISOR) - FRONT
152-0424

| ITEM | NUMBER | QTY | DESCRIPTION |
|------|------------|-----|---|
| - | 502793D1 | - | KIT-VISOR-CAB (SUN VISOR) (FIELD) |
| - | 152-0424 | - | VISOR GP-CAB [A] (NOT SERVICED, ORDER FIELD INSTALLED) |
| 1 | CH169-6397 | 1 | SCREEN-SUN |
| 2 | CH9X-2038 | 2 | WASHER (7X19X2) |

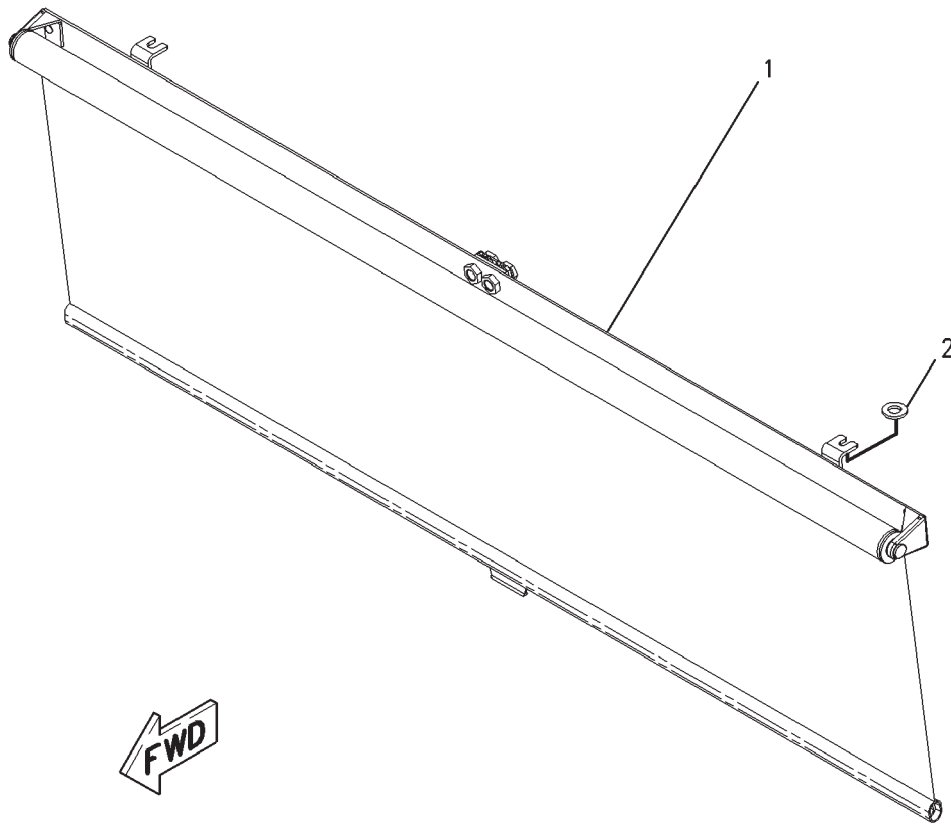
[A] PART OF 152-0012; 222-4146;
500841D1 CAB AR;
502793D1 VISOR GP

00867693
PR: t05b22n43d0506

1144

MT800B SERIES TRACTORS
OPERATOR STATION

VISOR GP-CAB (SUN VISOR) - REAR
162-4095



00867436

MT800B SERIES TRACTORS
OPERATOR STATION

1145

VISOR GP-CAB (SUN VISOR) - REAR
162-4095

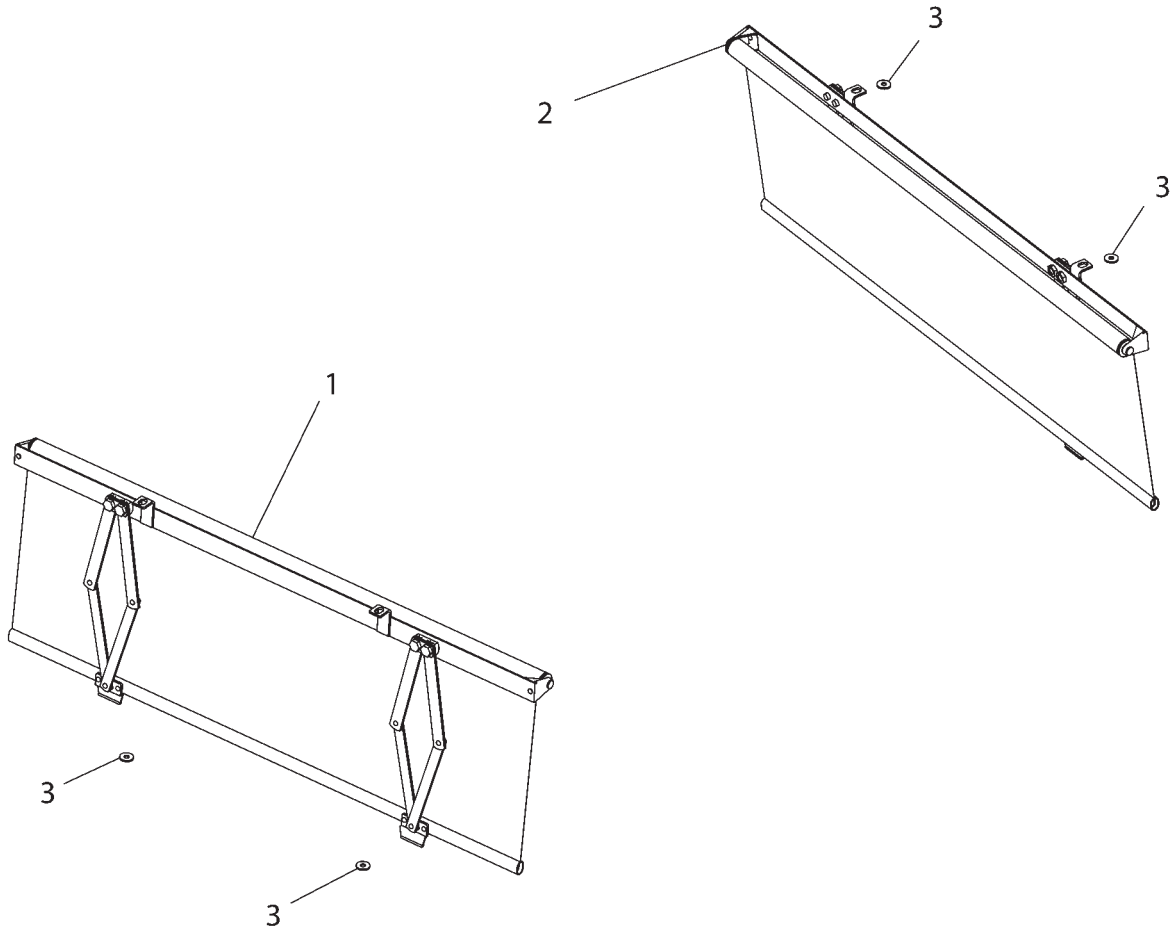
| ITEM | NUMBER | QTY | DESCRIPTION |
|------|------------|-----|---|
| - | 162-4095 | - | VISOR GP-CAB (SUN VISOR) (NOT SERVICED) |
| 1 | CH169-6397 | 1 | SCREEN GP-SUN |
| 2 | CH9X-2038 | 2 | WASHER (7X19X2) |

00867436
PR: t05b22n43d0507

1146

MT800B SERIES TRACTORS
OPERATOR STATION

VISOR GP-CAB (SUN VISOR) - SIDE
501886D1



501886D1

MT800B SERIES TRACTORS
OPERATOR STATION

1147

VISOR GP-CAB (SUN VISOR) - SIDE
501886D1

| ITEM | NUMBER | QTY | DESCRIPTION |
|------|-----------|-----|---|
| - | 502777D1 | - | VISOR GP-CAB (SUN VISOR) (FIELD INSTALL) |
| - | 501886D1 | - | VISOR GP-CAB [A] (NOT SERVICED) ORDER FIELD INSTALLED) |
| 1 | 501885D1 | 1 | SCREEN GP-SUN |
| 2 | 502026D1 | 1 | SCREEN GP-SUN |
| 3 | CH9X-2038 | 4 | WASHER (7X19X2) |

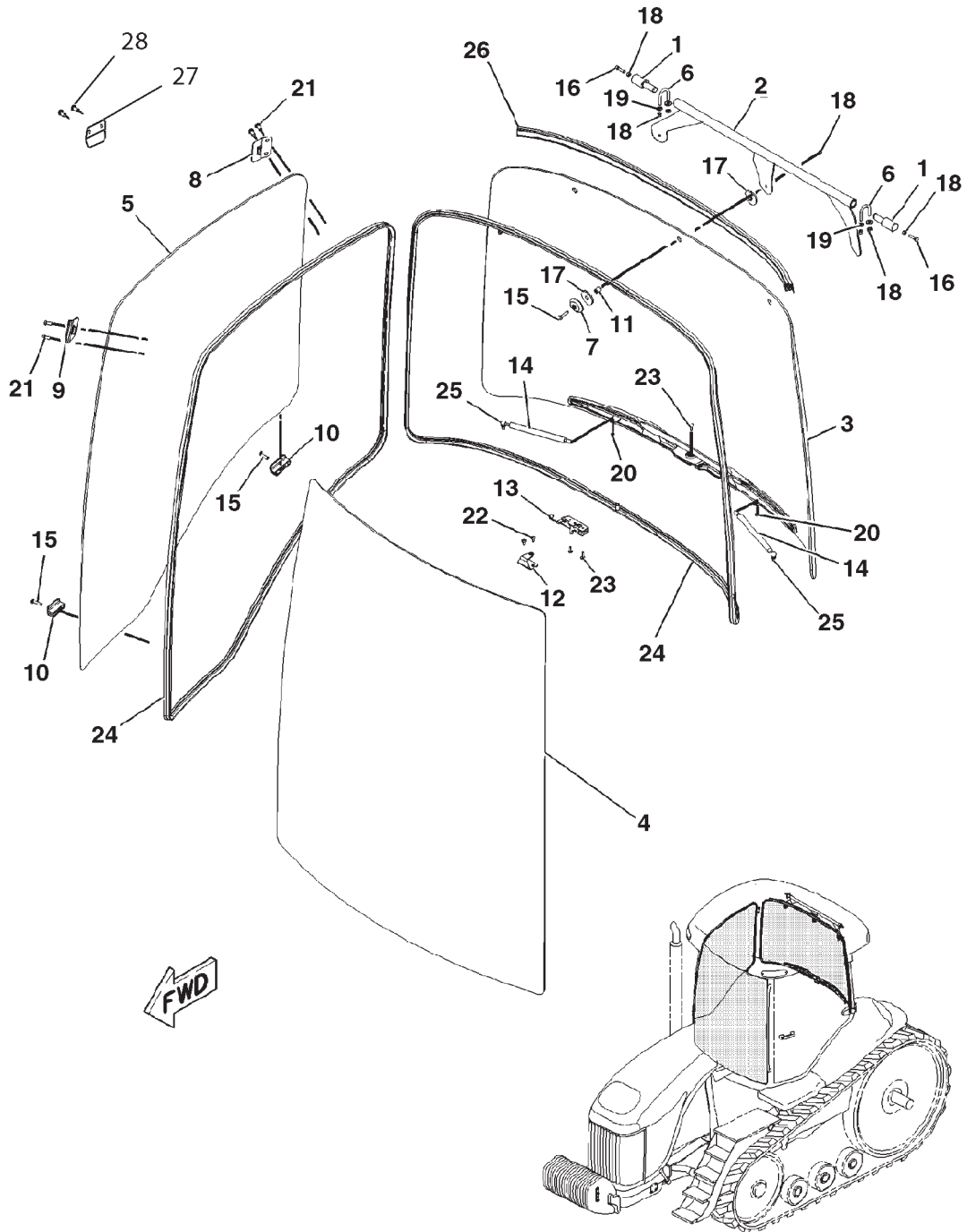
[A] PART OF 502777D1 VISOR GP

501886DB
PR: t05b22n43d0509

1148

MT800B SERIES TRACTORS OPERATOR STATION

GLASS GP-WINDSHIELD - 151-9994
ROW & SPECIAL



0863624B

**MT800B SERIES TRACTORS
OPERATOR STATION**

1149

**GLASS GP-WINDSHIELD - 151-9994
ROW & SPECIAL**

| ITEM | NUMBER | QTY | DESCRIPTION |
|------|------------|-----|----------------------------------|
| - | 151-9994 | - | GLASS GP [A] (NOT SERVICED) |
| 1 | 151-8541 | 2 | PIN-HINGE |
| 2 | 151-8545 | 1 | PLATE |
| 3 | 151-9979 | 1 | WINDOW ASM-REAR |
| | 169-6328 | 1 | SUPPORT |
| | 151-9982 | 1 | GLASS-REAR |
| 4 | 501896D1 | 1 | WINDOW-FRONT |
| 5 | 151-9984 | 1 | GLASS-RH |
| 6 | CH151-9989 | 2 | CLAMP |
| 7 | 400333X1 | 3 | WASHER (HINGE) |
| 8 | 166-4568 | 1 | CLAMP |
| 9 | 166-4570 | 2 | CLAMP |
| 10 | CH168-2309 | 2 | CLAMP |
| 11 | CH169-6377 | 3 | BUSHING (WINDOW HINGE) |
| 12 | 169-6399 | 1 | PLATE ASM |
| | 400313X1 | 2 | NUT-WELD (M6X1) |
| 13 | CH170-1445 | 1 | LATCH |
| 14 | CH172-6862 | 2 | SPRING ASM-GAS |
| 15 | CH142-2304 | 5 | SCREW-BUTTON HEAD (M8X1.25X35MM) |
| 16 | CH160-8756 | 2 | BOLT-HEX HEAD (M8X1.25X30MM) |
| 17 | 400330X1 | 6 | WASHER (REAR HINGE) |
| 18 | 400340X1 | 9 | NUT (M8X1.25) |
| 19 | 400599X1 | 4 | WASHER-HARD (8.8X20.5X2) |
| 20 | 400300X1 | 2 | NUT (M6X1) |
| 21 | CH8C-8585 | 6 | BOLT-BUTTON HEAD (M10X1.5X20MM) |
| 22 | CH9X-2043 | 2 | SCREW-TRUSS HEAD (M6X1X14MM) |
| 23 | CH9X-2045 | 3 | SCREW-TRUSS HEAD (M6X1X20MM) |
| 24 | CH208-2404 | AR | SEAL (1010CM) |
| 25 | CH8T-2444 | 4 | STUD-BALL |
| 26 | 207-2036 | 1 | SEAL |
| 27 | 501051D1 | 1 | BRACKET |
| 28 | CH8T-3992 | 2 | SCREW-BTN HD (M6X1X12MM) |

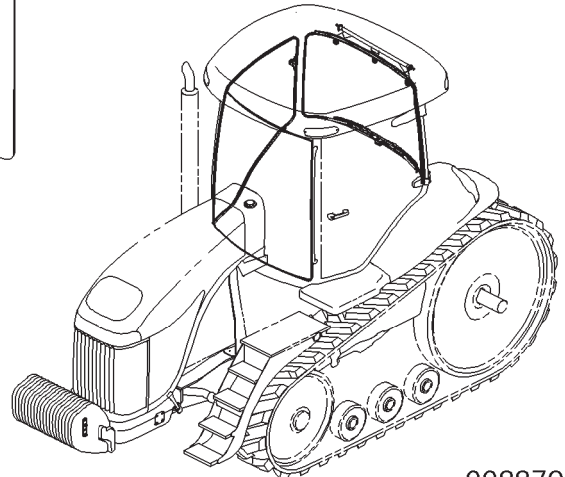
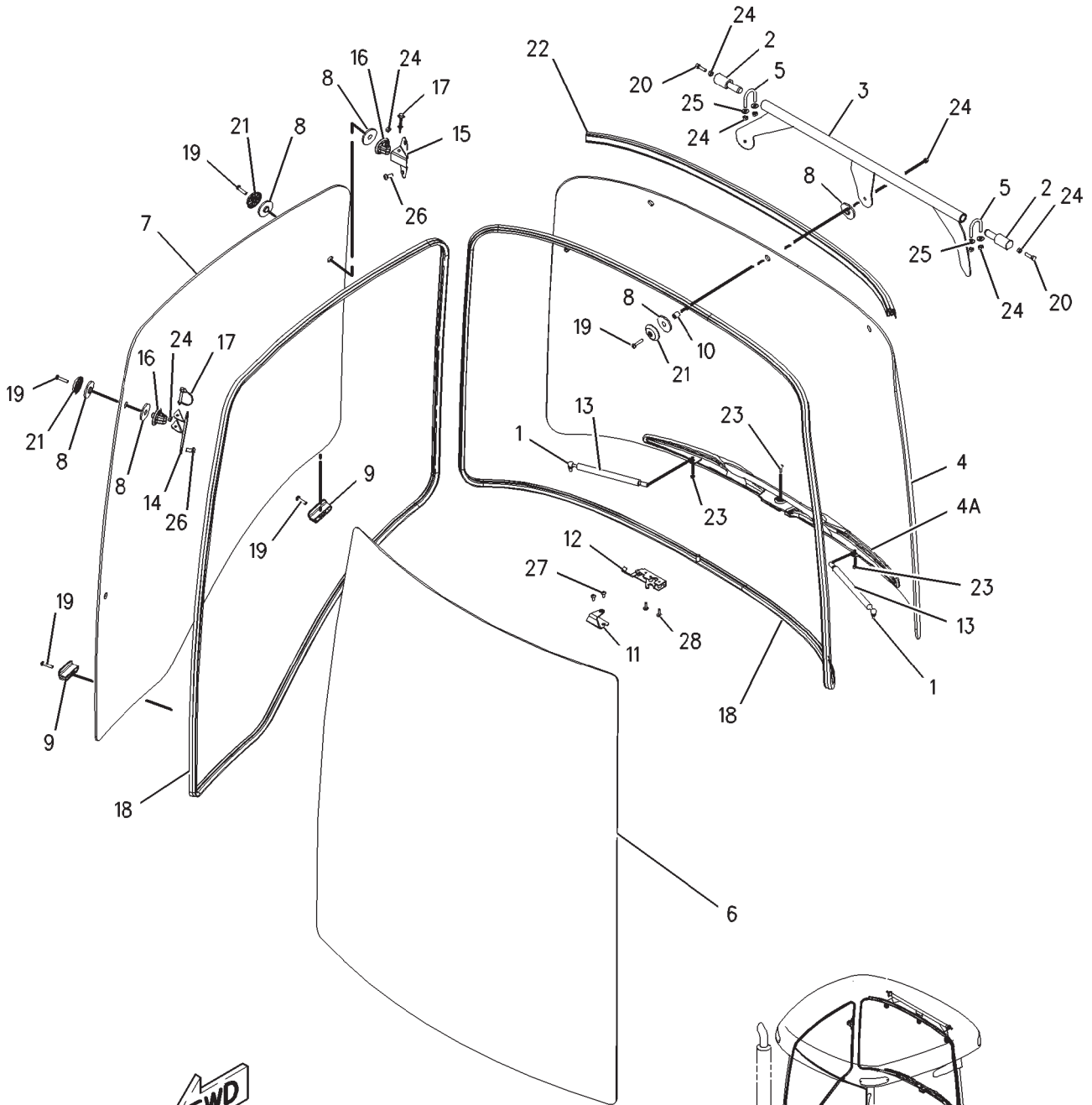
[A] PART OF 152-0003 CAB GP

0863624B
PR: t05b22n43d0510

1150

MT800B SERIES TRACTORS
OPERATOR STATION

GLASS GP-WINDSHIELD - 151-9995
EAME ONLY



00887936

**MT800B SERIES TRACTORS
OPERATOR STATION**

1151

**GLASS GP-WINDSHIELD - 151-9995
EAME ONLY**

| ITEM | NUMBER | QTY | DESCRIPTION |
|------|------------|-----|---|
| - | 151-9995 | - | GLASS GP-WINDSHIELD [A] (NOT SERVICED) |
| 1 | CH8T-2444 | 4 | STUD-BALL |
| 2 | 151-8541 | 2 | PIN-HINGE |
| 3 | 151-8545 | 1 | PLATE AS-REAR HINGE |
| 4 | 151-9979 | 1 | GLASS AS-REAR |
| 4A | 169-6328 | 1 | SUPPORT AS |
| 5 | CH151-9989 | 2 | CLAMP |
| 6 | 501896D1 | 1 | GLASS-FRONT |
| 7 | 151-9991 | 1 | GLASS-RH |
| 8 | 400333X1 | 6 | WASHER (HINGE) |
| 9 | CH168-2309 | 2 | CLAMP-WINDOW (LWR) |
| 10 | CH169-6377 | 3 | BUSHING-WINDOW (HINGE) |
| 11 | 169-6399 | 1 | PLATE AS |
| | 400313X1 | 2 | NUT-WELD (M6X1 THD) |
| 12 | CH170-1445 | 1 | LATCH-REAR WINDOW |
| 13 | CH172-6862 | 2 | SPRING AS-GAS |
| 14 | 178-7953 | 2 | BRACKET |
| 15 | 178-7954 | 1 | BRACKET |
| 16 | CH178-7955 | 3 | BOSS |
| 17 | CH179-4217 | 3 | PIN |
| 18 | CH208-2404 | AR | SEAL-BULK (1010 CM) [B, E] |
| 19 | CH142-2304 | 8 | SCREW-BUTTON HEAD (M8X1.25X35MM) |
| 20 | CH160-8756 | 2 | BOLT-HEX HEAD (M8X1.25X30MM) |
| 21 | 400330X1 | 14 | WASHER (REAR HINGE) |
| 22 | 207-2036 | 1 | SEAL |
| 23 | 400300X1 | 2 | NUT (M6X1 THD) |
| 24 | 400340X1 | 12 | NUT (M8X1.25 THD) |
| 25 | 400599X1 | 4 | WASHER-HARD (8.8X20.5X2MM THK) |
| 26 | CH8C-8585 | 6 | BOLT-BUTTON HEAD (M10X1.5X20MM) |
| 27 | CH9X-2043 | 2 | SCREW-TRUSS HEAD (M6X1X14MM) |
| 28 | CH9X-2045 | 3 | SCREW-TRUSS HEAD (M6X1X20MM) |

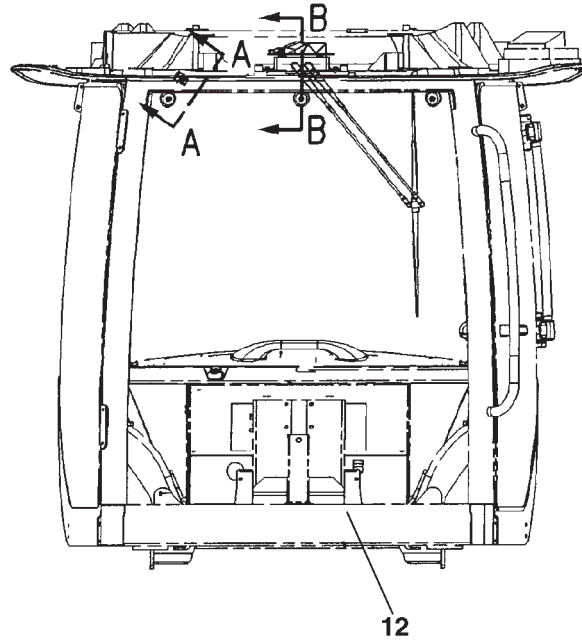
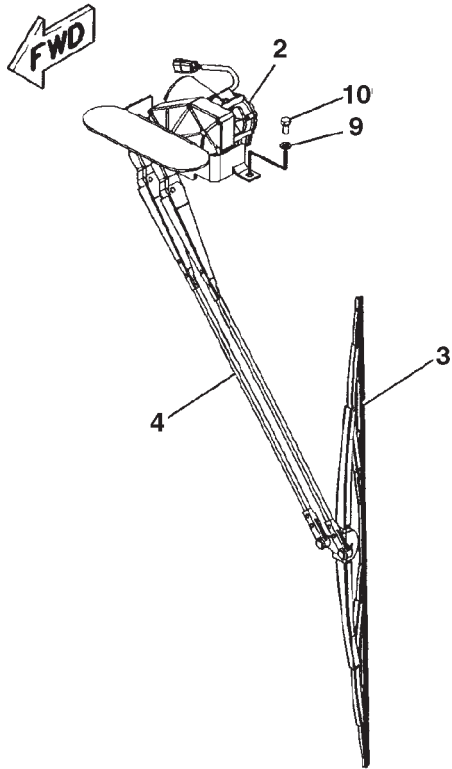
[A] PART OF 152-0004 CAB GP
[B] USE AS REQUIRED
[E] ORDER BY THE CENTIMETER

00887936
PR: t05b22n43d0511

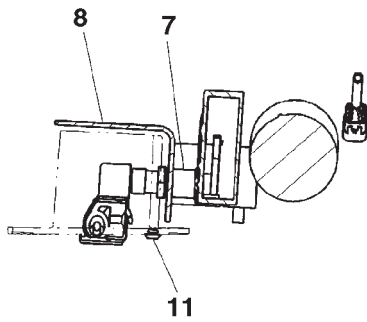
1152

MT800B SERIES TRACTORS
OPERATOR STATION

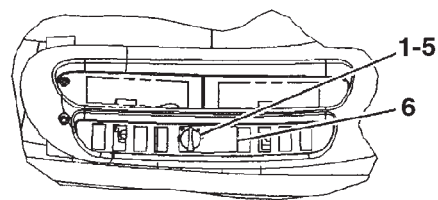
WIPER GP-WINDOW - BASIC
152-0422



FRONT VIEW



SECTION B-B



VIEW A-A

0874347A

MT800B SERIES TRACTORS
OPERATOR STATION

1153

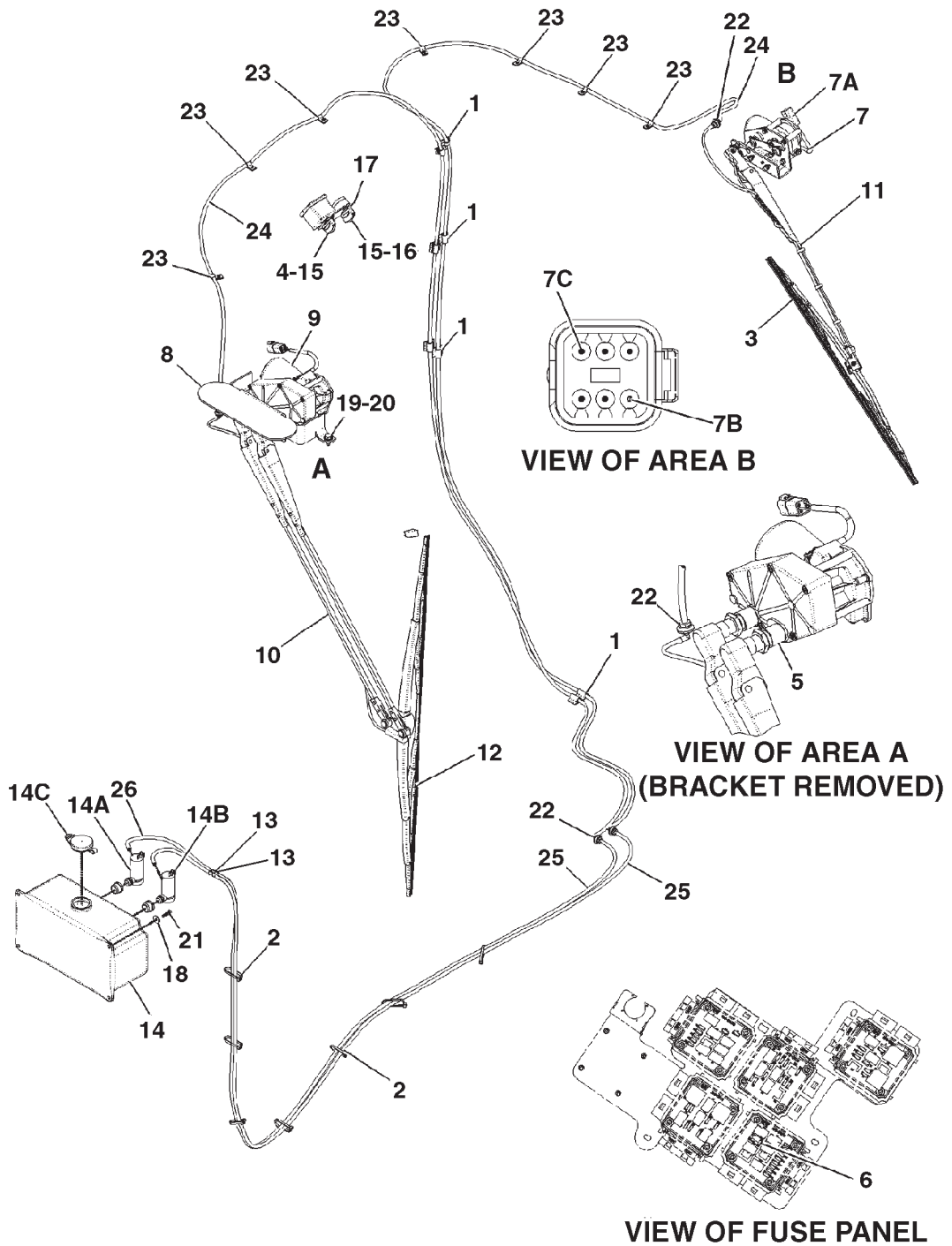
WIPER GP-WINDOW - BASIC
152-0422

| ITEM | NUMBER | QTY | DESCRIPTION |
|------|------------|-----|--|
| - | 152-0422 | | WIPER GP-WINDOW (NOT SERVICED) |
| 1 | CH216-2628 | 1 | KNOB AS (FRONT WIPER & WASHER) |
| 2 | CH170-5696 | 1 | MOTOR GP-WINDOW WIPER (12 VOLT) |
| | 400340X1 | 2 | NUT |
| | CH3F-9556 | 2 | LOCKWASHER |
| | CH8T-8737 | 1 | PLUG |
| | CH186-3735 | 5 | PIN-CONNECTOR |
| | CH102-8805 | 1 | KIT, RECEPTACLE (INCLS WEDGE) |
| 3 | 501688D1 | 1 | BLADE-WIPER |
| 4 | CH178-3888 | 1 | ARM ASM-WIPER |
| 5 | CH112-6174 | 1 | SWITCH ASM-ROTARY(24 VOLT)(FRONT WIPER) |
| | CH2H-3920 | 1 | LOCKWASHER |
| | CH6V-8369 | 1 | NUT (7/16-28) |
| | CH8T-8729 | 6 | PIN-CONNECTOR |
| | CH8T-8737 | 2 | PLUG-SEAL |
| | CH3E-3389 | 1 | WEDGE |
| | CH102-8806 | 1 | KIT-RECEPTACLE (8 PIN) (INCLUDES WEDGE) |
| 6 | 501256D1 | 1 | FILM-INSTRUCTION (WIPER) |
| 7 | CH141-1762 | 2 | SPACER (20) |
| 8 | 169-6323 | 1 | BRACKET |
| 9 | 400287X1 | 2 | WASHER-HARD (11X21X2.5) |
| 10 | 400040X1 | 2 | BOLT (M10X1.5X20MM) |
| 11 | CH5P-7803 | 1 | BUTTON-PLUG |
| 12 | CH193-5914 | 2 | PLUG |

0874347A
PR: t05b22n43d0512

MT800B SERIES TRACTORS
OPERATOR STATION

WIPER GP-WINDOW - DELUXE
196-3968



**MT800B SERIES TRACTORS
OPERATOR STATION**

1155

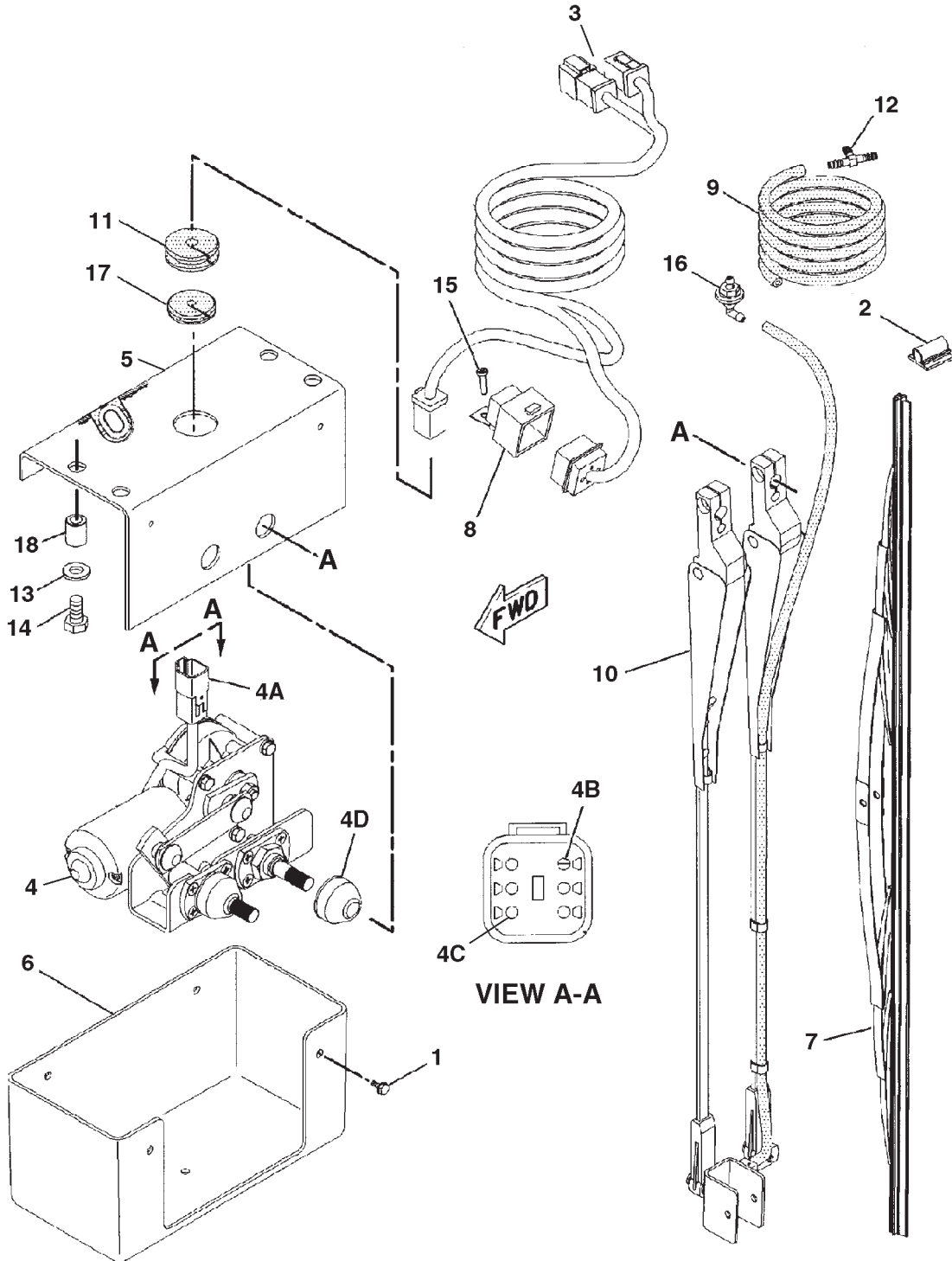
**WIPER GP-WINDOW - DELUXE
196-3968**

| ITEM | NUMBER | QTY | DESCRIPTION |
|------|------------|-----|--|
| - | 196-3968 | - | WIPER GP-WINDOW [A] (NOT SERVICED) |
| 1 | 400282X1 | 8 | CLIP |
| 2 | 400837X1 | 7 | STRAP-CABLE |
| 3 | CH134-1935 | 1 | BLADE-WIPER (REAR) |
| 4 | CH135-9967 | 1 | SWITCH GP-WIPER (12V) (INTERMITTENT) (SEE BREAKDOWN FOR COMPONENTS) |
| 5 | CH141-1762 | 2 | SPACER (21.2X25.4X20) |
| 6 | CH146-9439 | 1 | RELAY (12 VOLT) (REAR WIPER) |
| 7 | CH166-4596 | 1 | MOTOR GP-WINDOW WIPER (12 VOLT) (REAR) (INCLUDES 7A,7B & 7C) |
| 7A | CH102-8805 | 1 | KIT-RECEPTACLE (6 PIN) (INCLUDES RECEPTACLE ASM & WEDGE) (SERVICED AS COMPLETE KIT ONLY) |
| 7B | CH8T-8737 | 1 | PLUG-SEAL |
| 7C | 400561X1 | 5 | PIN-CONNECTOR |
| 8 | 169-6323 | 1 | BRACKET |
| 9 | CH170-5696 | 1 | MOTOR GP-WINDOW WIPER (12 VOLT) (FRONT) |
| | 400340X1 | 2 | NUT |
| | CH3F-9556 | 2 | LOCKWASHER |
| | CH8T-8737 | 1 | PLUG |
| | CH186-3735 | 5 | PIN-CONNECTOR |
| | CH102-8805 | 1 | KIT, RECEPTACLE (INCLUDES RECEPTACLE ASM & WEDGE) |
| 10 | 501565D1 | 1 | ARM-WIPER (FRONT) |
| 11 | 501604D1 | 1 | ARM-WIPER (REAR) |
| 12 | 501688D1 | 1 | BLADE-WIPER (FRONT) |
| 13 | 501120D1 | 2 | VALVE ASM (WIPER & WASHER) |
| 14 | CH208-9635 | 1 | TANK GP-WINDOW WASHER (INCLS 14A-14C) |
| 14A | CH209-4481 | 1 | PUMP (REAR WIPER & WASHER) |
| 14B | CH209-4481 | 1 | PUMP (FRONT WIPER & WASHER) |
| 14C | CH209-4482 | 1 | CAP (WINDOW WASHER TANK) |
| 15 | CH216-2628 | 2 | KNOB-CONTROL (FRONT WIPER & WASHER) |
| 16 | CH112-6174 | 1 | SWITCH ASM-ROTARY (WIPER & WASHER) |
| | CH2H-3920 | 1 | LOCKWASHER |
| | CH6V-8369 | 1 | NUT (7/16-28) |
| | CH8T-8729 | 6 | PIN-CONNECTOR |
| | CH8T-8737 | 2 | PLUG-SEAL |
| | CH3E-3389 | 1 | WEDGE |
| | CH102-8806 | 1 | KIT-RECEPTACLE (8 PIN) (INCLUDES WEDGE) |
| 17 | 501406D1 | 1 | FILM-INSTRUCTION (DELUXE WIPER) |
| 18 | CH5P-4115 | 10 | WASHER-HARD (7.2X19X2) |
| 19 | 400287X1 | 2 | WASHER-HARD (11X21X2.5) |
| 20 | 400040X1 | 2 | BOLT (M10X1.5X20MM) |
| 21 | 400221X1 | 5 | BOLT (M6X1X20) |
| | 400300X1 | 5 | NUT (M6X1) |
| 22 | CH8T-5400 | 4 | CONNECTOR |
| 23 | CH9N-2061 | 7 | CLIP |
| 24 | WR518622 | AR | TUBING AIRLINE (824CM) |
| 25 | AG514360 | AR | HOSE (640CM) |
| 26 | AG514360 | AR | HOSE (640CM) |

[A] PART OF 152-0012; 222-4146 CAB AR

0829737A
PR: t05b22n43d0514

WIPER GP-WINDOW - RH
162-4103



**MT800B SERIES TRACTORS
OPERATOR STATION**

1157

**WIPER GP-WINDOW - RH
162-4103**

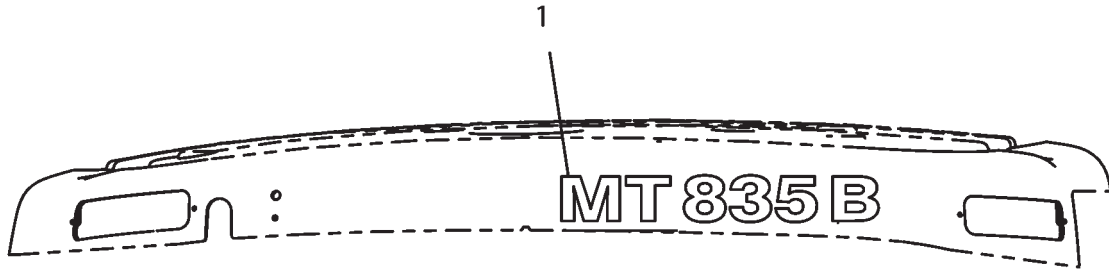
| ITEM | NUMBER | QTY | DESCRIPTION |
|------|------------|-----|---|
| - | 162-4103 | - | WIPER GP-WINDOW |
| 1 | CH030-9613 | 4 | SCREW-FORMING (10-24X0.37 IN) |
| 2 | 400282X1 | 2 | CLIP |
| 3 | 167-1258 | 1 | HARNESS (SIDE WIPER) |
| 4 | CH211-4837 | 1 | MOTOR GP-COMPACT DRIVE (RH WIPER) (INCLS 4A-4D) |
| 4A | CH102-8805 | 1 | KIT-RECEPTACLE (6 PIN) (INCLS RECEPTACLE AS & WEDGE) |
| 4B | CH8T-8737 | 1 | PLUG-SEAL |
| 4C | 400561X1 | 5 | PIN-CONNECTOR |
| 4D | CH206-5823 | 2 | CAP |
| 5 | 174-7872 | 1 | BRACKET |
| 6 | 175-0198 | 1 | COVER |
| 7 | CH189-8610 | 1 | BLADE-WIPER (RH WINDOW) |
| 8 | 400292X1 | 1 | RELAY ASM (12 VOLT) (RH WINDOW WIPER) |
| 9 | AG514360 | - | HOSE (78 CM) |
| 10 | 501603D1 | 1 | ARM |
| 11 | CH6H-4006 | 1 | GROMMET |
| 12 | CH6K-9632 | 1 | TEE-HOSE (50OD BARB) |
| 13 | 400287X1 | 4 | WASHER-HARD (11X21X2.5) |
| 14 | 400040X1 | 4 | BOLT (M10X1.5X20MM) |
| 15 | CH8T-9501 | 1 | SCREW (10-16X.75 IN) |
| 16 | CH8T-5400 | 1 | CONNECTOR |
| 17 | 400114X1 | 1 | GROMMET |
| 18 | CH179-4209 | 4 | INSERT |

0878092A
PR: t05b22n43d0513

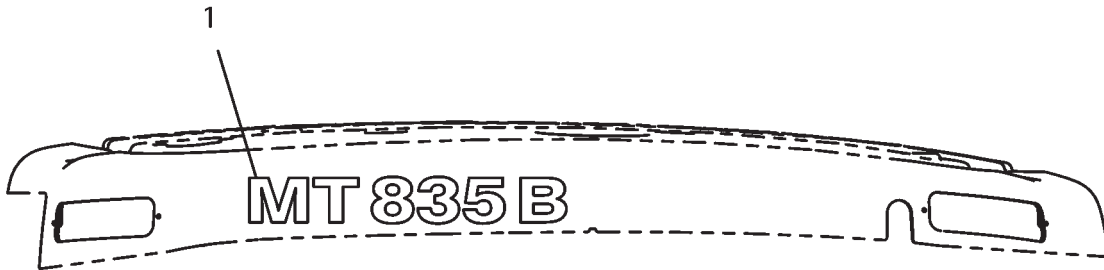
1158

**MT800B SERIES TRACTORS
DECALS & MARKINGS**

**FILM GP - MT835B
501615D1**



LEFT SIDE VIEW



RIGHT SIDE VIEW

501615DA

**MT800B SERIES TRACTORS
DECALS & MARKINGS**

1159

**FILM GP - MT835B
501615D1**

| ITEM | NUMBER | QTY | DESCRIPTION |
|------|----------|-----|-------------------------------------|
| - | 501615D1 | - | FILM GP (MT835B) [A] (NOT SERVICED) |
| 1 | 501410D1 | 2 | FILM (MT835B) |

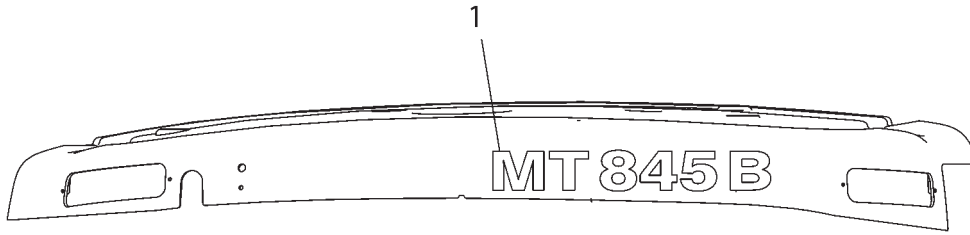
[A] PART OF:
501588D1; 501593D1 BASE UNIT AR

501615DA
PR: t05b22n43d0515

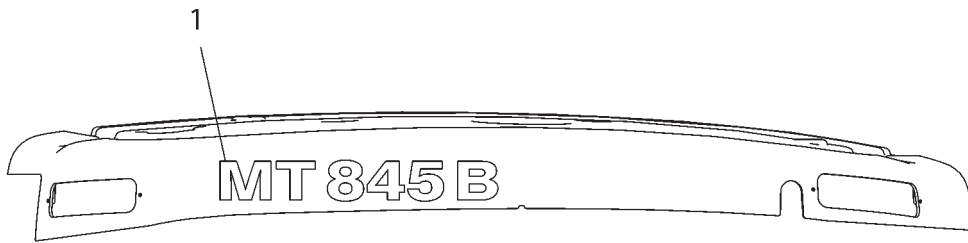
1160

**MT800B SERIES TRACTORS
DECALS & MARKINGS**

**FILM GP - MT845B
501616D1**



LEFT SIDE VIEW



RIGHT SIDE VIEW

501616DA

**MT800B SERIES TRACTORS
DECALS & MARKINGS**

1161

**FILM GP - MT845B
501616D1**

| ITEM | NUMBER | QTY | DESCRIPTION |
|------|----------|-----|-------------------------------------|
| - | 501616D1 | - | FILM GP (MT845B) [A] (NOT SERVICED) |
| 1 | 501411D1 | 2 | FILM (MT845B) |

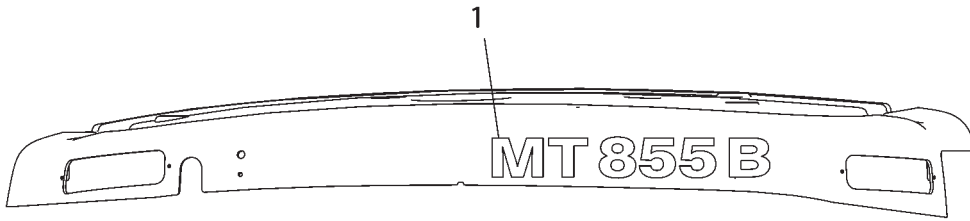
[A] PART OF:
501589D1; 501594D1 BASE UNIT AR

501616DA
PR: t05b22n43d0516

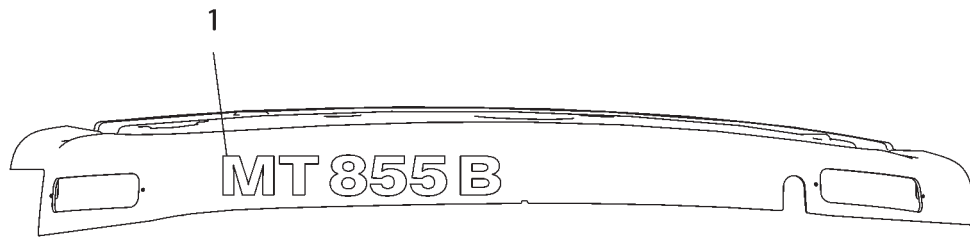
1162

**MT800B SERIES TRACTORS
DECALS & MARKINGS**

**FILM GP - MT855B
501617D1**



LEFT SIDE VIEW



RIGHT SIDE VIEW

501617DA

**MT800B SERIES TRACTORS
DECALS & MARKINGS**

1163

**FILM GP - MT855B
501617D1**

| ITEM | NUMBER | QTY | DESCRIPTION |
|------|----------|-----|-------------------------------------|
| - | 501617D1 | - | FILM GP (MT855B) [A] (NOT SERVICED) |
| 1 | 501412D1 | 2 | FILM (MT855B) |

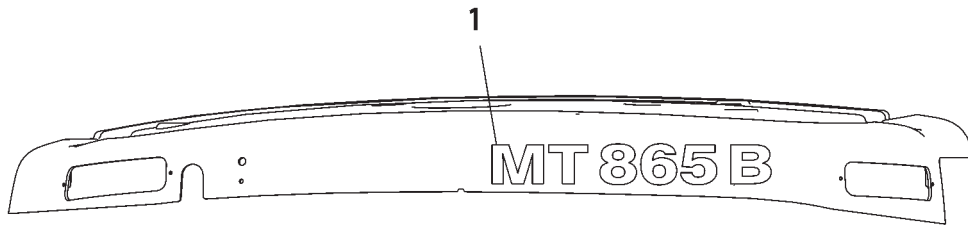
[A] PART OF:
501590D1; 501595D1 BASE UNIT AR

501617DA
PR: t05b22n43d0517

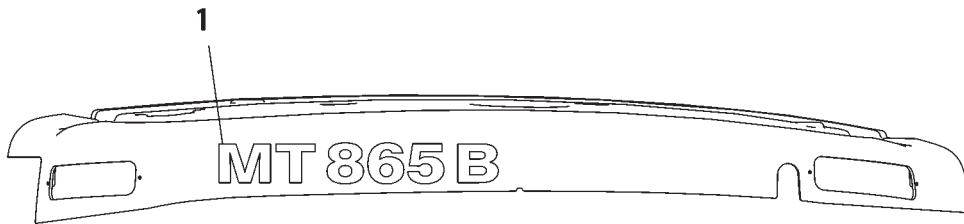
1164

**MT800B SERIES TRACTORS
DECALS & MARKINGS**

**FILM GP - MT865B
501618D1**



LEFT SIDE VIEW



RIGHT SIDE VIEW

501618DA

**MT800B SERIES TRACTORS
DECALS & MARKINGS**

1165

**FILM GP - MT865B
501618D1**

| ITEM | NUMBER | QTY | DESCRIPTION |
|------|----------|-----|-------------------------------------|
| - | 501618D1 | - | FILM GP (MT865B) [A] (NOT SERVICED) |
| 1 | 501413D1 | 2 | FILM (MT865B) |

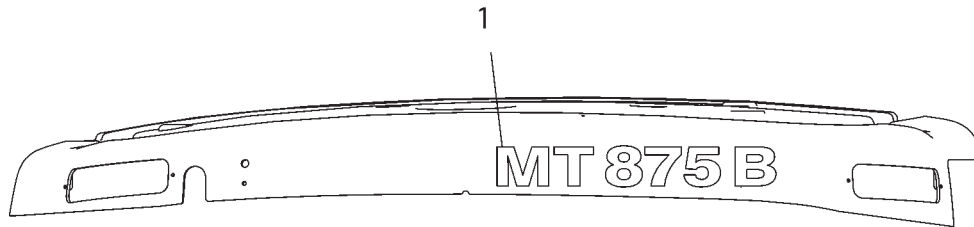
[A] PART OF:
501591D1; 501596D1 BASE UNIT AR

501618DA
PR: t05b22n43d0518

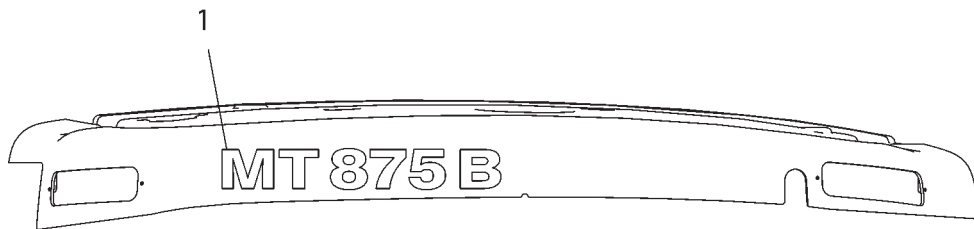
1166

MT800B SERIES TRACTORS
DECALS & MARKINGS

FILM GP - MT875B
501619D1



LEFT SIDE VIEW



RIGHT SIDE VIEW

501619DA

**MT800B SERIES TRACTORS
DECALS & MARKINGS**

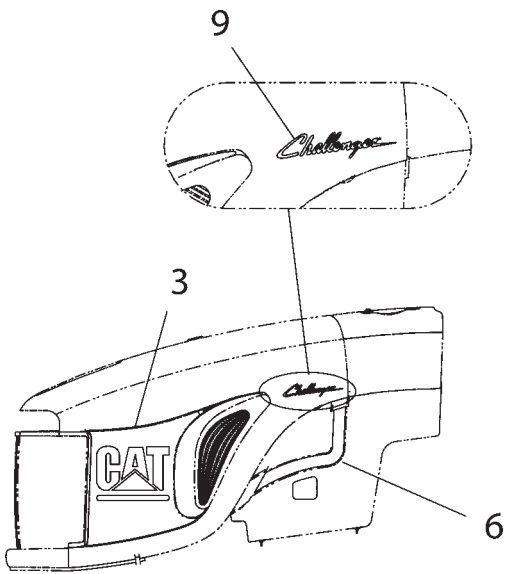
1167

**FILM GP - MT875B
501619D1**

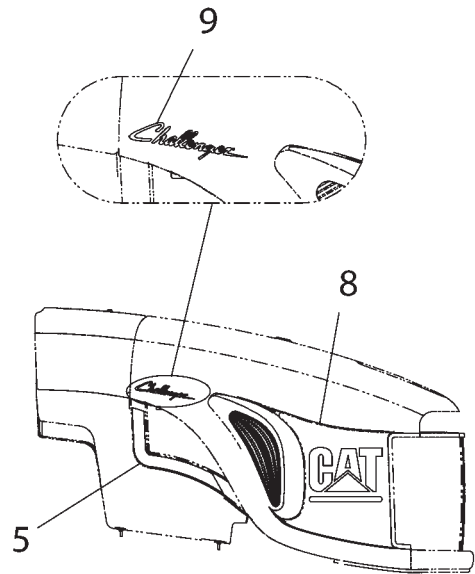
| ITEM | NUMBER | QTY | DESCRIPTION |
|------|----------|-----|-------------------------------------|
| - | 501619D1 | - | FILM GP (MT875B) [A] (NOT SERVICED) |
| 1 | 501414D1 | 2 | FILM (MT875B) |

[A] PART OF:
501592D1; 501597D1 BASE UNIT AR

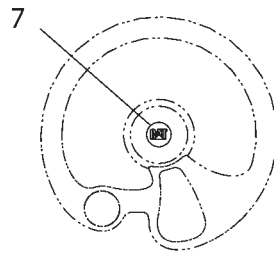
501619DA
PR: t05b22n43d0519



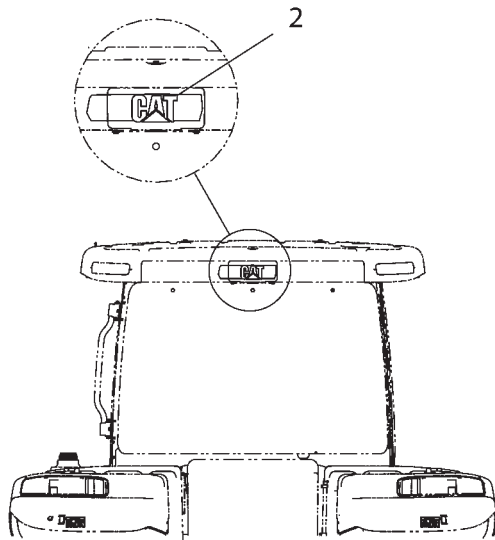
LEFT SIDE OF HOOD



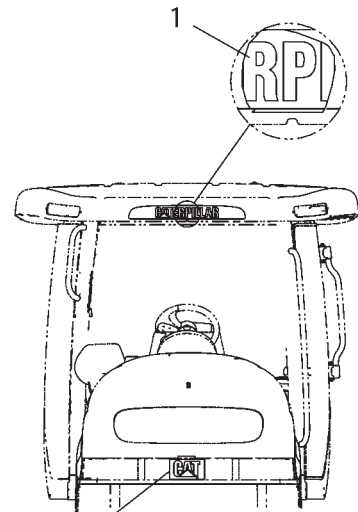
RIGHT SIDE OF HOOD



STEERING WHEEL



REAR VIEW OF CAB



FRONT VIEW

**MT800B SERIES TRACTORS
DECALS & MARKINGS**

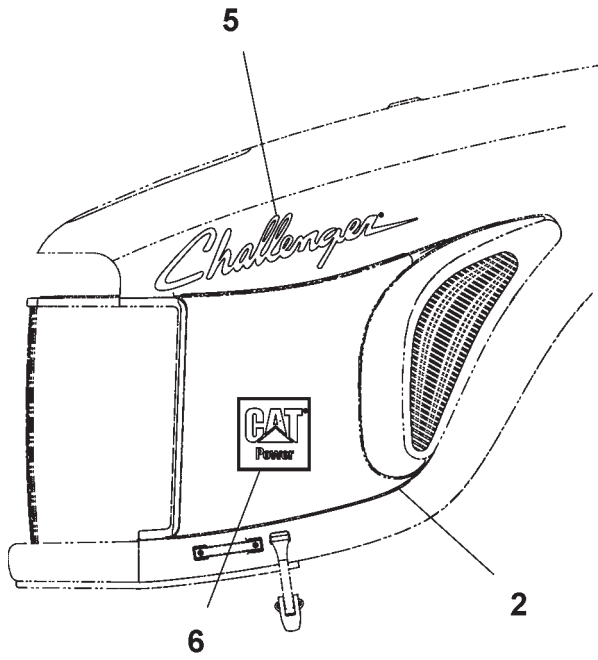
1169

FILM GP-CAT - 500735D1

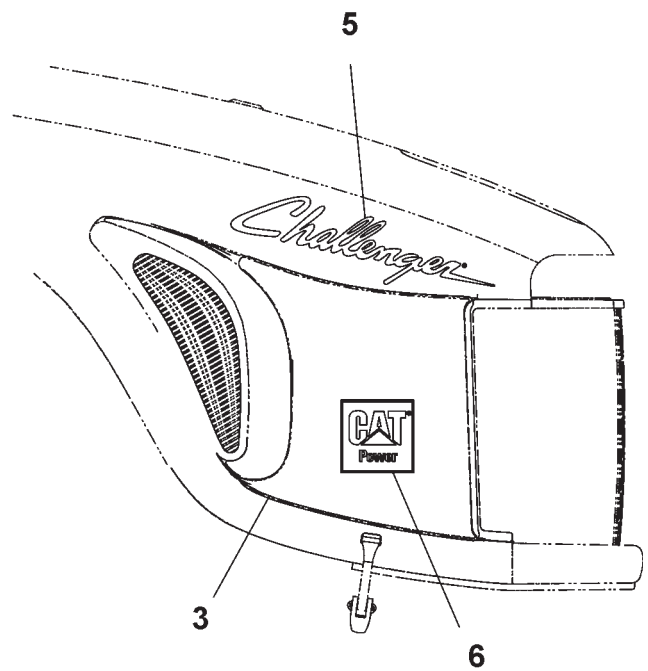
| ITEM | NUMBER | QTY | DESCRIPTION |
|------|----------|-----|----------------------------|
| - | 500735D1 | - | FILM GP-CAT (NOT SERVICED) |
| 1 | 501480D1 | 1 | FILM-CATERPILLAR |
| 2 | 183-9281 | 1 | FILM-CAT |
| 3 | 501482D1 | 1 | FILM-HOOD (LEFT) |
| 4 | 201-5096 | 1 | EMBLEM AS-CAT |
| 5 | 210-4357 | 1 | FILM-SIDE PANEL |
| 6 | 210-4358 | 1 | FILM-SIDE PANEL |
| 7 | 195-5221 | 1 | FILM-CAT WHEEL LOGO |
| 8 | 501483D1 | 1 | FILM-HOOD (RIGHT) |
| 9 | 500749D1 | 2 | FILM-CHALLENGER |

500735DB
PR: t05b22n43d0520

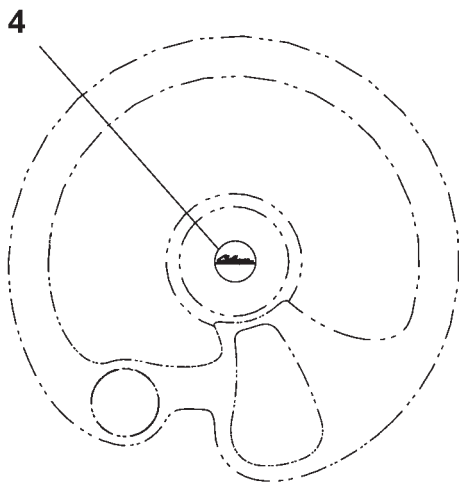
FILM GP-CHALLENGER - 500736D1



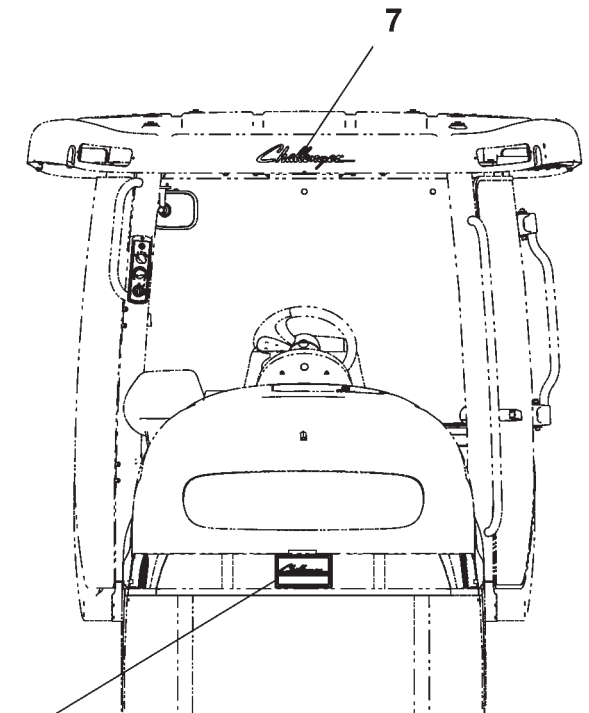
LEFT SIDE VIEW



RIGHT SIDE VIEW



STEERING WHEEL



FRONT VIEW

**MT800B SERIES TRACTORS
DECALS & MARKINGS**

1171

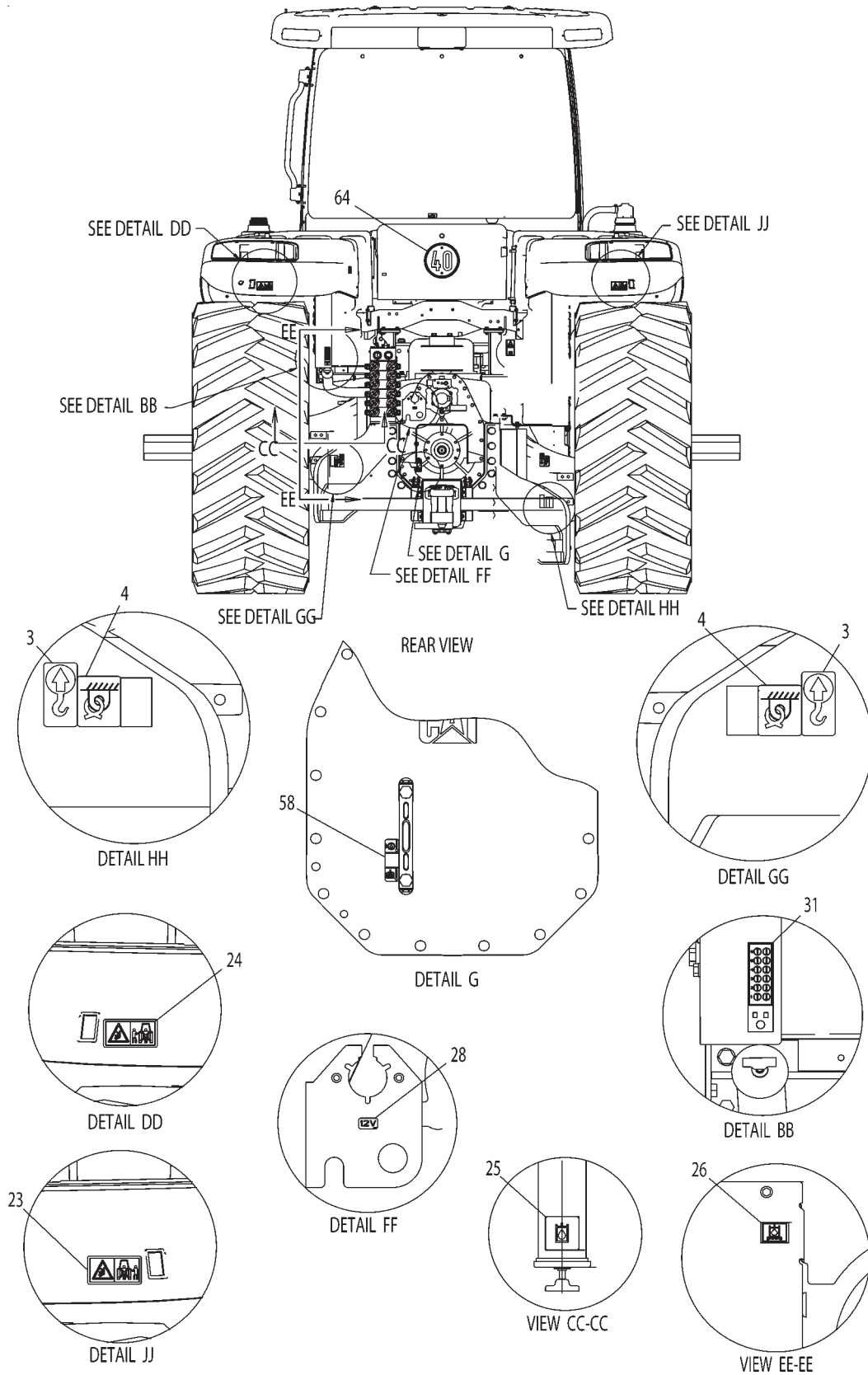
FILM GP-CHALLENGER - 500736D1

| ITEM | NUMBER | QTY | DESCRIPTION |
|------|----------|-----|----------------------|
| - | 500736D1 | - | FILM GP-CHALLENGER |
| 1 | 500729D1 | 1 | EMBLEM AS-CHALLENGER |
| 2 | 500737D1 | 1 | FILM-HOOD (LH) |
| 3 | 500738D1 | 1 | FILM-HOOD (RH) |
| 4 | 500719D1 | 1 | FILM-CHALLENGER |
| 5 | 500734D1 | 2 | FILM-CHALLENGER |
| 6 | 500748D2 | 2 | FILM-CAT POWER |
| 7 | 500749D1 | 1 | FILM-CHALLENGER |

500736DB
PR: t05b22n43d0521

MT800B SERIES TRACTORS
DECALS & MARKINGS

FILM GP-PAINT & - 179-2261
EAME ONLY
(PAGE 1 OF 9)



**MT800B SERIES TRACTORS
DECALS & MARKINGS**

1173

**FILM GP-PAINT & - 179-2261
EAME ONLY
(PAGE 1 OF 9)**

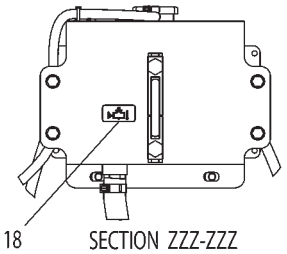
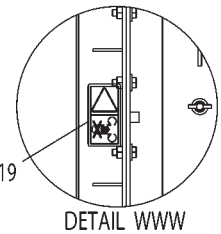
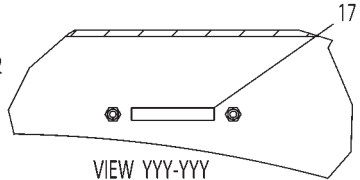
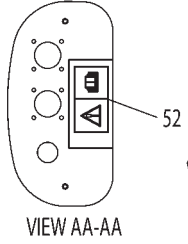
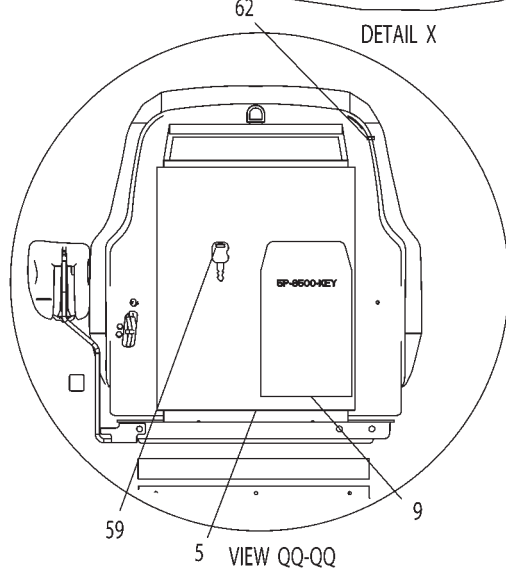
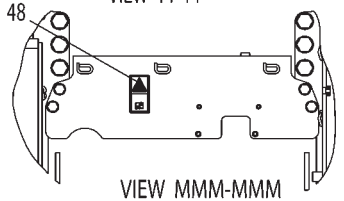
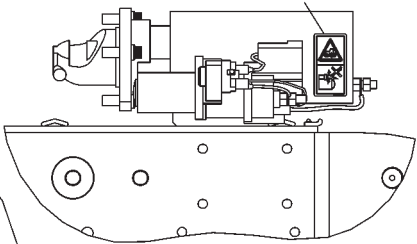
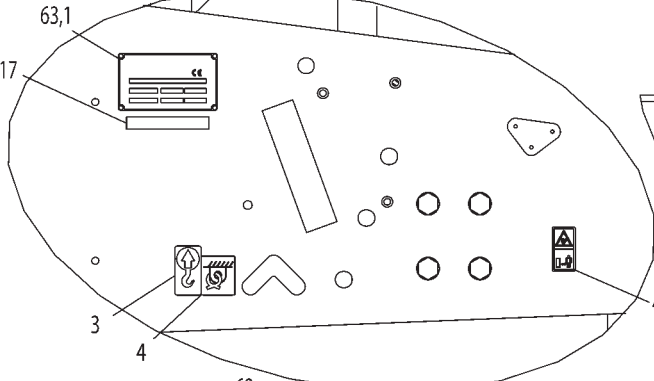
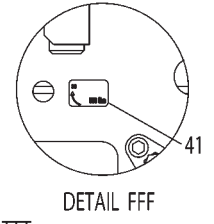
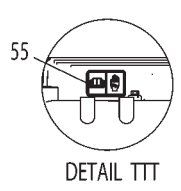
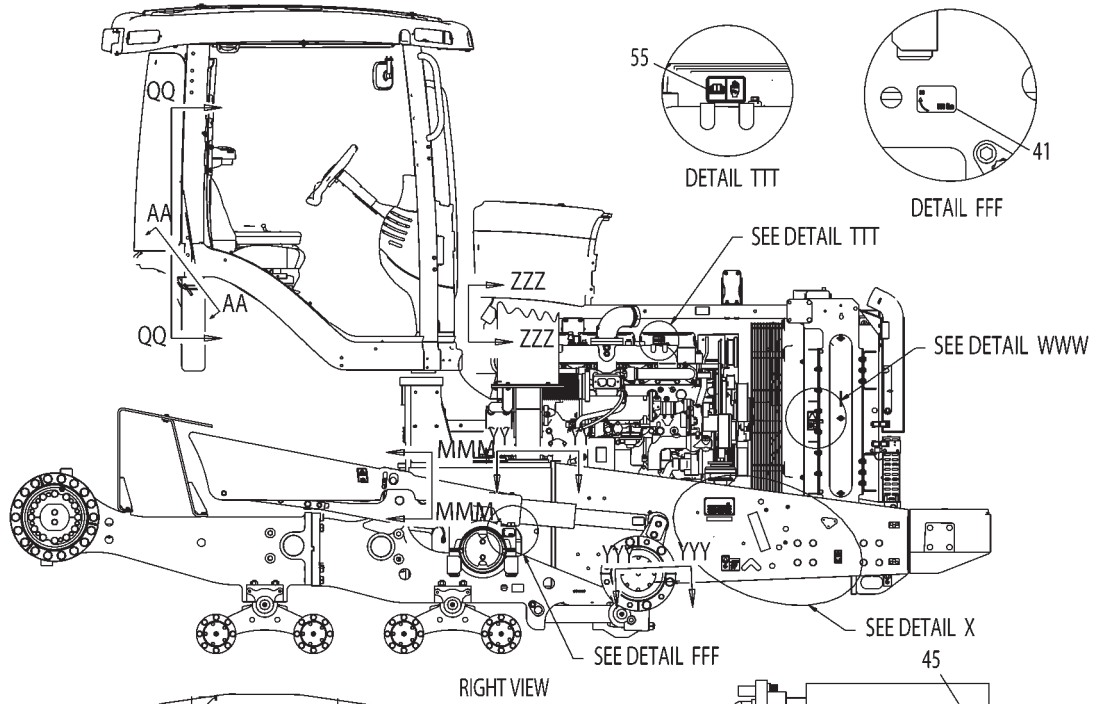
| ITEM | NUMBER | QTY | DESCRIPTION |
|------|------------|-----|---|
| - | 179-2261 | - | FILM GP-PLATE & FILM [A] (NOT SERVICED) |
| 3 | 500371D1 | 4 | FILM-LIFT |
| 4 | 500372D1 | 4 | FILM-TIE-DOWN |
| 5 | CH7F-3400 | 1 | BAG-POLYETHYLENE 305 X 380 |
| - | 501501D1 | 1 | DECAL SHEET-CAB (INCLUDES * ITEMS) |
| - | 501259D1 | 1 | FILM-NOTICE * ** |
| - | 501281D1 | 1 | FILM-MIRRORS * |
| - | 501297D1 | 1 | FILM-WIRE ACCESS * |
| - | 501298D1 | 1 | FILM-WARNING * |
| - | 501265D1 | 1 | FILM-NOTICE * |
| - | 501282D1 | 1 | FILM-ROAD SPEED * |
| - | 501302D1 | 1 | FILM-BRAKE * |
| - | 501274D1 | 2 | FILM-NOTICE * |
| - | 501273D1 | 1 | FILM-NOTICE * |
| - | 501406D1 | 1 | FILM-WIPER DELUXE * |
| - | 501272D1 | 2 | FILM-ATERNATE EXIT * |
| - | 501286D1 | 2 | FILM-INSTALLATION DATE * |
| - | 501503D1 | 1 | DECAL SHEET-VEHICLE (SEE BREAKDOWN) |
| - | 501505D1 | 1 | DECAL SHEET-VEHICLE (INCLUDES ** ITEMS) |
| - | 501257D1 | 2 | FILM-NOTICE ** |
| - | 501260D1 | 2 | FILM-NOTICE ** |
| - | 501263D1 | 2 | FILM-NOTICE ** |
| - | 501254D1 | 2 | FILM-WARNING ** |
| - | 501262D1 | 4 | FILM-NOTICE ** |
| - | 501303D1 | 1 | FILM-COOLANT (COLD FILL) ** |
| - | 501277D1 | 1 | FILM-BATTERY (INST) ** |
| - | 501291D1 | 1 | FILM-BATTERY ** |
| - | 501294D1 | 2 | FILM-WARNING (HITCH) ** |
| - | 501264D1 | 2 | FILM-NOTICE ** |
| - | 501290D1 | 2 | FILM-CRUSH/SEVER ** |
| - | 501292D1 | 1 | FILM-WARNING (OVERFLOW) ** |
| - | 501259D1 | 1 | FILM-NOTICE * ** |
| - | 501293D1 | 2 | FILM-WARNING ** |
| - | 501306D1 | 1 | FILM-AIR CLEANER ** |
| - | 501287D1 | 1 | FILM-WARNING ** |
| - | 501261D1 | 1 | FILM-NOTICE ** |
| - | 501301D1 | 2 | FILM-TIGHTENING (BOLT) ** |
| - | 501300D1 | 2 | FILM-TIGHTENING (BOLT) ** |
| - | 501299D1 | 4 | FILM-TIGHTENING (BOLT) ** |
| 23 | 501295D1 | 1 | FILM-HITCH (RIGHT) ** |
| 24 | 501296D1 | 1 | FILM-HITCH (LEFT) ** |
| 25 | 501104D1 | 1 | FILM-HYDRAULIC OIL |
| 26 | 501106D1 | 1 | FILM-IDENT (HYD OIL FILTER) |
| 28 | 501253D1 | 3 | FILM-IDENT (12V) * ** |
| 31 | 501267D1 | 1 | FILM-HYD COUPLERS (INST) ** |
| 58 | 501307D1 | 1 | FILM-XMSN OIL FILL |
| 64 | 207-8227 | 1 | WARNING GP-SPEED (NOT SERVICED) |
| | CH8T-0328 | 2 | WASHER-HARD 5.5IDX10ODX1MM |
| | 207-7534 | 1 | PLATE |
| | 501282D1 | 1 | FILM-ROADING SPEED |
| | CH095-0741 | 2 | SCREW-MACHINE M6X1.0X14 |
| | CH5P-3424 | 2 | SCREW-12-14X25.4 PAN, THD FMG |

[A] PART OF 501811D1 BASE COMMON AR

1792261A
PR: t05b22n43d0522

MT800B SERIES TRACTORS DECALS & MARKINGS

FILM GP-PAINT & - 179-2261
EAME ONLY
(PAGE 2 OF 9)



**MT800B SERIES TRACTORS
DECALS & MARKINGS**

1175

**FILM GP-PAINT & - 179-2261
EAME ONLY
(PAGE 2 OF 9)**

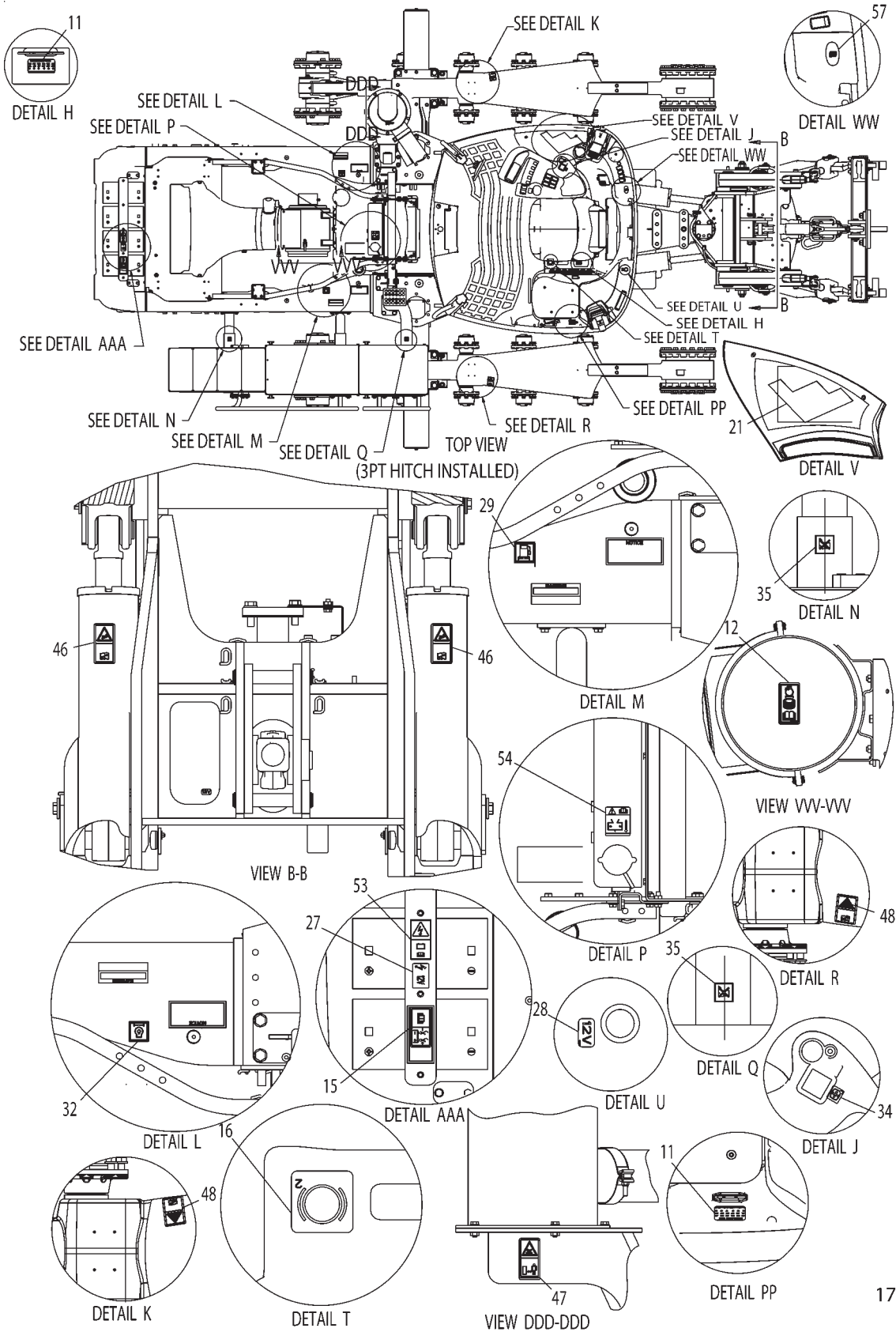
| ITEM | NUMBER | QTY | DESCRIPTION |
|------|------------|-----|---|
| - | 179-2261 | - | FILM GP-PLATE & FILM [A] (NOT SERVICED) |
| 1 | 222-2280 | 1 | PLATE-PIN NO. |
| 3 | 500371D1 | 4 | FILM-LIFT |
| 4 | 500372D1 | 4 | FILM-TIE-DOWN |
| 5 | CH7F-3400 | 1 | BAG-POLYETHYLENE 305 X 380 |
| - | 501501D1 | 1 | DECAL SHEET-CAB (INCLUDES * ITEMS) |
| - | 501259D1 | 1 | FILM-NOTICE *** |
| - | 501281D1 | 1 | FILM-MIRRORS * |
| - | 501297D1 | 1 | FILM-WIRE ACCESS * |
| - | 501298D1 | 1 | FILM-WARNING * |
| - | 501265D1 | 1 | FILM-NOTICE * |
| - | 501282D1 | 1 | FILM-ROAD SPEED * |
| - | 501253D1 | 3 | FILM-IDENT (12V) *** |
| - | 501302D1 | 1 | FILM-BRAKE * |
| - | 501273D1 | 1 | FILM-NOTICE * |
| - | 501406D1 | 1 | FILM-WIPER DELUXE * |
| - | 501272D1 | 2 | FILM-ATERNATE EXIT * |
| - | 501286D1 | 2 | FILM-INSTALLATION DATE * |
| - | 501503D1 | 1 | DECAL SHEET-VEHICLE (SEE BREAKDOWN) |
| - | 501505D1 | 1 | DECAL SHEET-VEHICLE (INCLUDES ** ITEMS) |
| - | 501257D1 | 2 | FILM-NOTICE ** |
| - | 501260D1 | 2 | FILM-NOTICE ** |
| - | 501254D1 | 2 | FILM-WARNING ** |
| - | 501296D1 | 1 | FILM-HITCH (LEFT) ** |
| - | 501253D1 | 3 | FILM-IDENT (12V) *** |
| - | 501277D1 | 1 | FILM-BATTERY (INST) ** |
| - | 501291D1 | 1 | FILM-BATTERY ** |
| - | 501295D1 | 1 | FILM-HITCH (RIGHT) ** |
| - | 501294D1 | 2 | FILM-WARNING (HITCH) ** |
| - | 501264D1 | 2 | FILM-NOTICE ** |
| - | 501292D1 | 1 | FILM-WARNING (OVERFLOW) ** |
| - | 501259D1 | 1 | FILM-NOTICE * ** |
| - | 501306D1 | 1 | FILM-AIR CLEANER ** |
| - | 501287D1 | 1 | FILM-WARNING ** |
| - | 501261D1 | 1 | FILM-NOTICE ** |
| - | 501267D1 | 1 | FILM-HYD COUPLERS (INST) ** |
| - | 501301D1 | 2 | FILM-TIGHTENING (BOLT) ** |
| - | 501299D1 | 4 | FILM-TIGHTENING (BOLT) ** |
| 9 | CH6V-2405 | 1 | ENVELOPE-KEY |
| 17 | 501288D1 | 2 | FILM-CLEAR COVER |
| 18 | 501303D1 | 1 | FILM-COOLANT (COLD FILL) ** |
| 19 | 501290D1 | 2 | FILM-CRUSH/SEVER ** |
| 41 | 501300D1 | 2 | FILM-TIGHTENING (BOLT) ** |
| 45 | 501258D1 | 2 | FILM-NOTICE |
| 48 | 501262D1 | 4 | FILM-NOTICE ** |
| 49 | 501263D1 | 2 | FILM-NOTICE ** |
| 52 | 501274D1 | 2 | FILM-NOTICE * |
| 55 | 501293D1 | 2 | FILM-WARNING ** |
| 59 | CH5P-8500 | 2 | KEY |
| 62 | CH5P-7958 | 1 | SLEEVE-CABLE SPLICE 2.38 OD |
| 63 | CH168-8389 | 4 | TACK-FASTENER (METAL) |

[A] PART OF 501811D1 BASE COMMON AR

1792261B
PR: t05b22n43d0523

MT800B SERIES TRACTORS
DECALS & MARKINGS

FILM GP-PAINT & - 179-2261
EAME ONLY
(PAGE 3 OF 9)



**MT800B SERIES TRACTORS
DECALS & MARKINGS**

1177

**FILM GP-PAINT & - 179-2261
EAME ONLY
(PAGE 3 OF 9)**

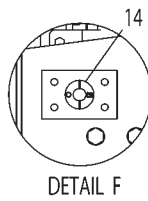
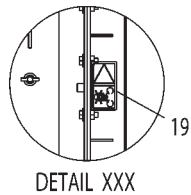
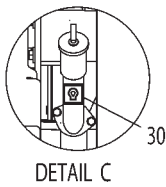
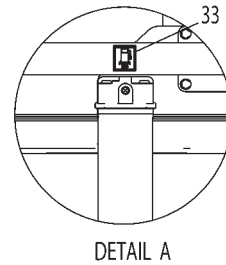
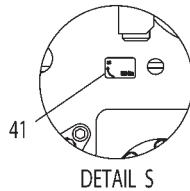
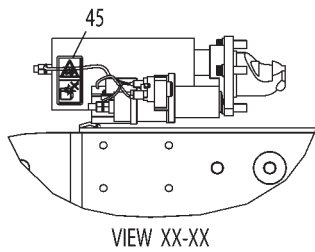
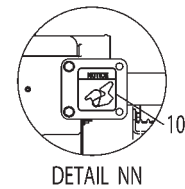
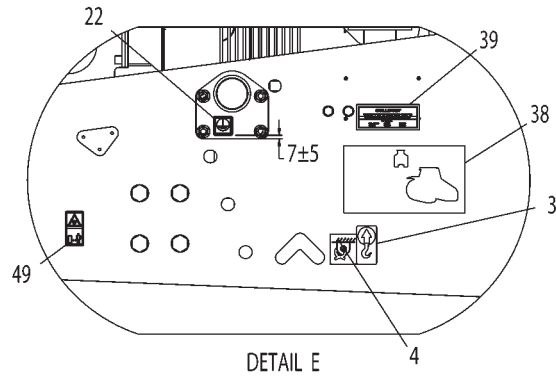
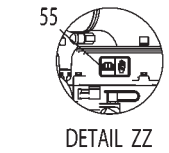
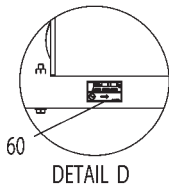
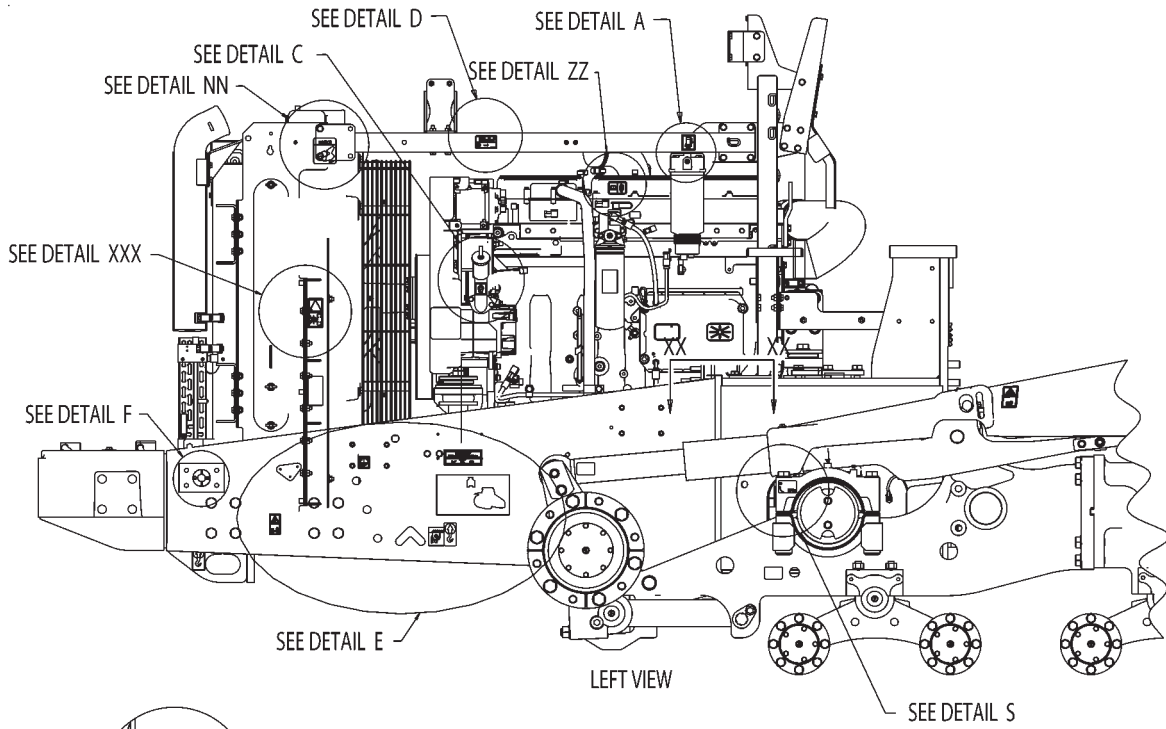
| ITEM | NUMBER | QTY | DESCRIPTION |
|------|----------|-----|---|
| - | 179-2261 | - | FILM GP-PLATE & FILM [A] (NOT SERVICED) |
| - | 501501D1 | 1 | DECAL SHEET-CAB (INCLUDES * ITEMS) |
| - | 501259D1 | 1 | FILM-NOTICE *** |
| - | 501298D1 | 1 | FILM-WARNING * |
| - | 501265D1 | 1 | FILM-NOTICE * |
| - | 501282D1 | 1 | FILM-ROAD SPEED * |
| - | 501253D1 | 3 | FILM-IDENT (12V) *** |
| - | 501274D1 | 2 | FILM-NOTICE * |
| - | 501273D1 | 1 | FILM-NOTICE * |
| - | 501406D1 | 1 | FILM-WIPER DELUXE * |
| - | 501272D1 | 2 | FILM-ATERNATE EXIT * |
| - | 501503D1 | 1 | DECAL SHEET-VEHICLE (SEE BREAKDOWN) |
| - | 501505D1 | 1 | DECAL SHEET-VEHICLE (INCLUDES ** ITEMS) |
| - | 501257D1 | 2 | FILM-NOTICE ** |
| - | 501263D1 | 2 | FILM-NOTICE ** |
| - | 501254D1 | 2 | FILM-WARNING ** |
| - | 501296D1 | 1 | FILM-HITCH (LEFT) ** |
| - | 501262D1 | 4 | FILM-NOTICE ** |
| - | 501303D1 | 1 | FILM-COOLANT (COLD FILL) ** |
| - | 501277D1 | 1 | FILM-BATTERY (INST) ** |
| - | 501295D1 | 1 | FILM-HITCH (RIGHT) ** |
| - | 501294D1 | 2 | FILM-WARNING (HITCH) ** |
| - | 501264D1 | 2 | FILM-NOTICE ** |
| - | 501290D1 | 2 | FILM-CRUSH/SEVER ** |
| - | 501259D1 | 1 | FILM-NOTICE *** |
| - | 501293D1 | 2 | FILM-WARNING ** |
| - | 501267D1 | 1 | FILM-HYD COUPLERS (INST) ** |
| - | 501301D1 | 2 | FILM-TIGHTENING (BOLT) ** |
| - | 501300D1 | 2 | FILM-TIGHTENING (BOLT) ** |
| - | 501299D1 | 4 | FILM-TIGHTENING (BOLT) ** |
| 11 | 501286D1 | 2 | FILM-INSTALLATION DATE * |
| 12 | 501306D1 | 1 | FILM-AIR CLEANER ** |
| 15 | 501291D1 | 1 | FILM-BATTERY ** |
| 16 | 501302D1 | 1 | FILM-BRAKE * |
| 21 | 501271D1 | 1 | FILM-FUSE PANEL |
| 27 | 501252D1 | 1 | FILM-IDENT (12V) |
| 28 | 501253D1 | 3 | FILM-IDENT (12V) *** |
| 29 | 501103D1 | 1 | FILM-INST (FUEL FILTER) |
| 32 | 501276D1 | 1 | FILM-ENGINE OIL FILTER(INST) |
| 34 | 501281D1 | 1 | FILM-MIRRORS * |
| 35 | 501251D1 | 2 | FILM-NO STEP |
| 46 | 501260D1 | 2 | FILM-NOTICE ** |
| 47 | 501261D1 | 1 | FILM-NOTICE ** |
| 53 | 501287D1 | 1 | FILM-WARNING ** |
| 54 | 501292D1 | 1 | FILM-WARNING (OVERFLOW) ** |
| 57 | 501297D1 | 1 | FILM-WIRE ACCESS * |

[A] PART OF 501811D1 BASE COMMON AR

1792261C
PR: t05b22n43d0524

MT800B SERIES TRACTORS
DECALS & MARKINGS

FILM GP-PAINT & - 179-2261
EAME ONLY
(PAGE 4 OF 9)



**MT800B SERIES TRACTORS
DECALS & MARKINGS**

1179

**FILM GP-PAINT & - 179-2261
EAME ONLY
(PAGE 4 OF 9)**

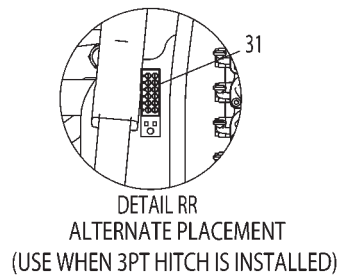
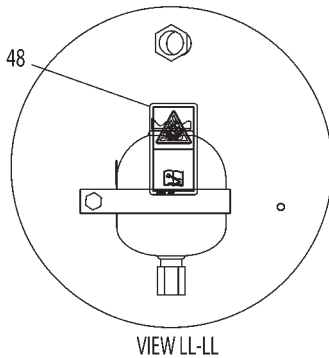
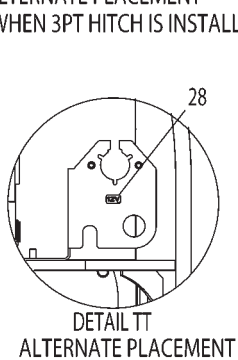
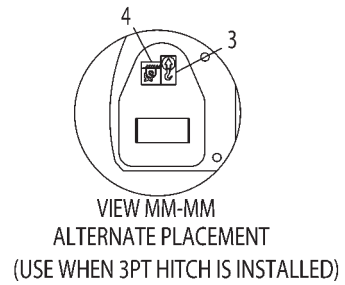
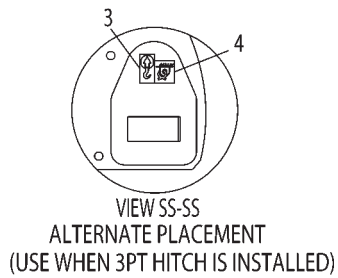
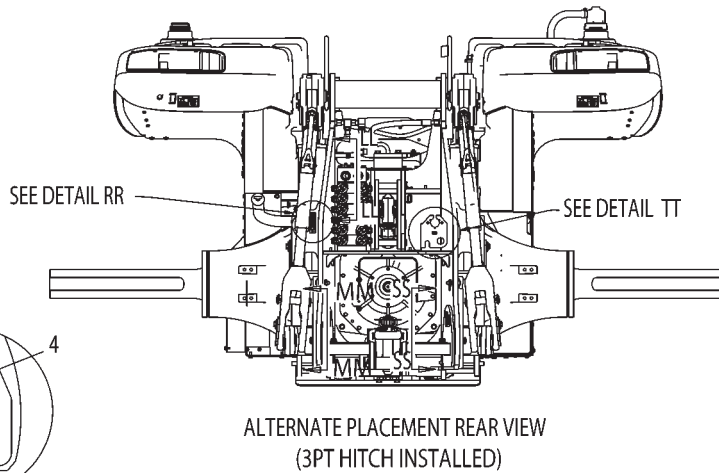
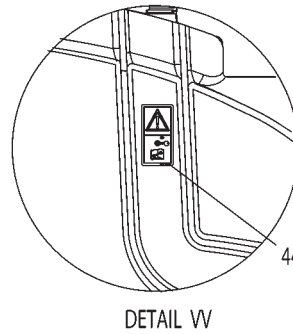
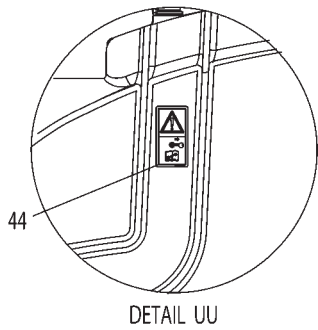
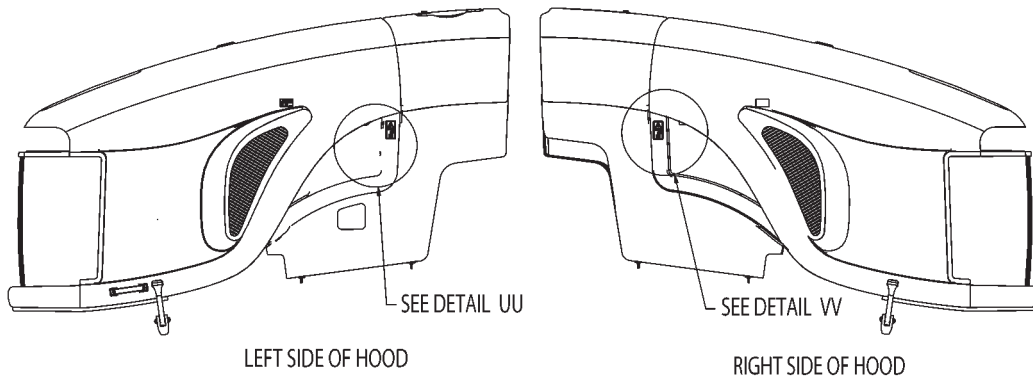
| ITEM | NUMBER | QTY | DESCRIPTION |
|------|----------|-----|---|
| - | 179-2261 | - | FILM GP-PLATE & FILM [A] (NOT SERVICED) |
| 3 | 500371D1 | 4 | FILM-LIFT |
| - | 501501D1 | 1 | DECAL SHEET-CAB (INCLUDES * ITEMS) |
| - | 501259D1 | 1 | FILM-NOTICE * ** |
| - | 501281D1 | 1 | FILM-MIRRORS * |
| - | 501297D1 | 1 | FILM-WIRE ACCESS * |
| - | 501298D1 | 1 | FILM-WARNING * |
| - | 501265D1 | 1 | FILM-NOTICE * |
| - | 501282D1 | 1 | FILM-ROAD SPEED * |
| - | 501253D1 | 3 | FILM-IDENT (12V) * ** |
| - | 501302D1 | 1 | FILM-BRAKE * |
| - | 501274D1 | 2 | FILM-NOTICE * |
| - | 501273D1 | 1 | FILM-NOTICE * |
| - | 501406D1 | 1 | FILM-WIPER DELUXE * |
| - | 501272D1 | 2 | FILM-ATERNATE EXIT * |
| - | 501286D1 | 2 | FILM-INSTALLATION DATE * |
| - | 501503D1 | 1 | DECAL SHEET-VEHICLE (SEE BREAKDOWN) |
| - | 501505D1 | 1 | DECAL SHEET-VEHICLE (INCLUDES ** ITEMS) |
| - | 501257D1 | 2 | FILM-NOTICE ** |
| - | 501260D1 | 2 | FILM-NOTICE ** |
| - | 501263D1 | 2 | FILM-NOTICE ** |
| - | 501254D1 | 2 | FILM-WARNING ** |
| - | 501296D1 | 1 | FILM-HITCH (LEFT) ** |
| - | 501262D1 | 4 | FILM-NOTICE ** |
| - | 501303D1 | 1 | FILM-COOLANT (COLD FILL) ** |
| - | 501253D1 | 3 | FILM-IDENT (12V) * ** |
| - | 501291D1 | 1 | FILM-BATTERY ** |
| - | 501295D1 | 1 | FILM-HITCH (RIGHT) ** |
| - | 501294D1 | 2 | FILM-WARNING (HITCH) ** |
| - | 501264D1 | 2 | FILM-NOTICE ** |
| - | 501292D1 | 1 | FILM-WARNING (OVERFLOW) ** |
| - | 501259D1 | 1 | FILM-NOTICE * ** |
| - | 501293D1 | 2 | FILM-WARNING ** |
| - | 501306D1 | 1 | FILM-AIR CLEANER ** |
| - | 501287D1 | 1 | FILM-WARNING ** |
| - | 501261D1 | 1 | FILM-NOTICE ** |
| - | 501267D1 | 1 | FILM-HYD COUPLERS (INST) ** |
| - | 501301D1 | 2 | FILM-TIGHTENING (BOLT) ** |
| - | 501299D1 | 4 | FILM-TIGHTENING (BOLT) ** |
| 10 | 501278D1 | 1 | FILM-BELT (ROUTING) |
| 14 | 501277D1 | 1 | FILM-BATTERY (INST) ** |
| 19 | 501290D1 | 2 | FILM-CRUSH/SEVER ** |
| 22 | 501105D1 | 1 | FILM-GROUND GEN |
| 30 | 501108D1 | 1 | FILM-INSTRUCTION |
| 33 | 501280D1 | 1 | FILM-WATER SEPARATOR |
| 38 | 501269D1 | 1 | FILM-NOTICE (SHIPPING) |
| 39 | 501305D1 | 1 | FILM-PATENT |
| 41 | 501300D1 | 2 | FILM-TIGHTENING (BOLT) ** |
| 45 | 501258D1 | 2 | FILM-NOTICE |
| 60 | 502279D1 | 1 | PLATE-INST (A/C) |

[A] PART OF 501811D1 BASE COMMON AR

1792261D
PR: t05b22n43d0525

MT800B SERIES TRACTORS
DECALS & MARKINGS

FILM GP-PAINT & - 179-2261
EAME ONLY
(PAGE 5 OF 9)



**MT800B SERIES TRACTORS
DECALS & MARKINGS**

1181

**FILM GP-PAINT & - 179-2261
EAME ONLY
(PAGE 5 OF 9)**

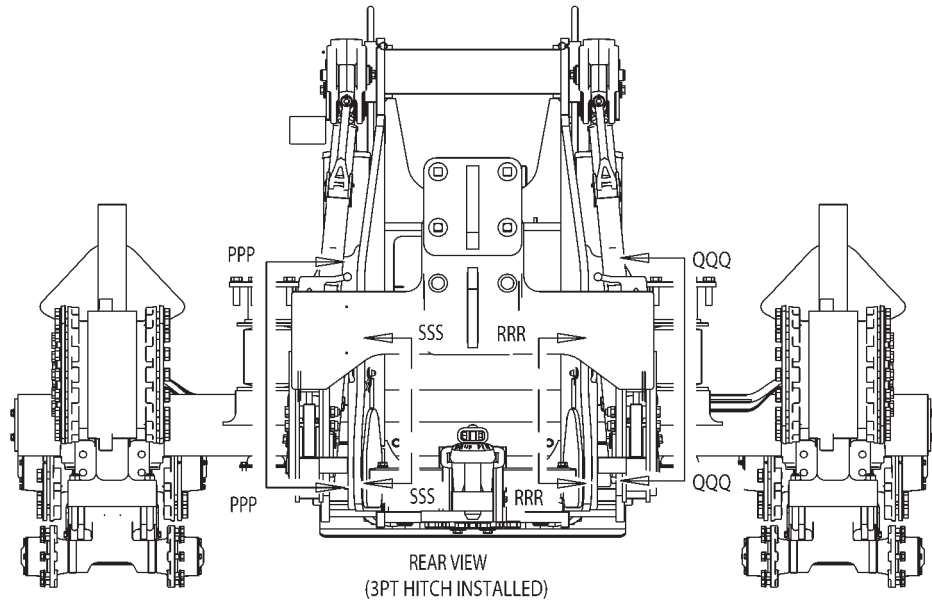
| ITEM | NUMBER | QTY | DESCRIPTION |
|------|----------|-----|---|
| - | 179-2261 | - | FILM GP-PLATE & FILM [A] (NOT SERVICED) |
| 3 | 500371D1 | 4 | FILM-LIFT |
| 4 | 500372D1 | 4 | FILM-TIE-DOWN |
| - | 501501D1 | 1 | DECAL SHEET-CAB (INCLUDES * ITEMS) |
| - | 501259D1 | 1 | FILM-NOTICE *** |
| - | 501281D1 | 1 | FILM-MIRRORS * |
| - | 501297D1 | 1 | FILM-WIRE ACCESS * |
| - | 501298D1 | 1 | FILM-WARNING * |
| - | 501265D1 | 1 | FILM-NOTICE * |
| - | 501282D1 | 1 | FILM-ROAD SPEED * |
| - | 501253D1 | 3 | FILM-IDENT (12V) *** |
| - | 501302D1 | 1 | FILM-BRAKE * |
| - | 501274D1 | 2 | FILM-NOTICE * |
| - | 501273D1 | 1 | FILM-NOTICE * |
| - | 501406D1 | 1 | FILM-WIPER DELUXE * |
| - | 501272D1 | 2 | FILM-ATERNATE EXIT * |
| - | 501286D1 | 2 | FILM-INSTALLATION DATE * |
| - | 501503D1 | 1 | DECAL SHEET-VEHICLE (SEE BREAKDOWN) |
| - | 501505D1 | 1 | DECAL SHEET-VEHICLE (INCLUDES ** ITEMS) |
| - | 501260D1 | 2 | FILM-NOTICE ** |
| - | 501263D1 | 2 | FILM-NOTICE ** |
| - | 501254D1 | 2 | FILM-WARNING ** |
| - | 501296D1 | 1 | FILM-HITCH (LEFT) ** |
| - | 501303D1 | 1 | FILM-COOLANT (COLD FILL) ** |
| - | 501277D1 | 1 | FILM-BATTERY (INST) ** |
| - | 501291D1 | 1 | FILM-BATTERY ** |
| - | 501295D1 | 1 | FILM-HITCH (RIGHT) ** |
| - | 501294D1 | 2 | FILM-WARNING (HITCH) ** |
| - | 501264D1 | 2 | FILM-NOTICE ** |
| - | 501290D1 | 2 | FILM-CRUSH/SEVER ** |
| - | 501292D1 | 1 | FILM-WARNING (OVERFLOW) ** |
| - | 501259D1 | 1 | FILM-NOTICE *** |
| - | 501293D1 | 2 | FILM-WARNING ** |
| - | 501306D1 | 1 | FILM-AIR CLEANER ** |
| - | 501287D1 | 1 | FILM-WARNING ** |
| - | 501261D1 | 1 | FILM-NOTICE ** |
| - | 501301D1 | 2 | FILM-TIGHTENING (BOLT) ** |
| - | 501300D1 | 2 | FILM-TIGHTENING (BOLT) ** |
| - | 501299D1 | 4 | FILM-TIGHTENING (BOLT) ** |
| 28 | 501253D1 | 3 | FILM-IDENT (12V) *** |
| 31 | 501267D1 | 1 | FILM-HYD COUPLERS (INST) ** |
| 44 | 501257D1 | 2 | FILM-NOTICE ** |
| 48 | 501262D1 | 4 | FILM-NOTICE ** |

[A] PART OF 501811D1 BASE COMMON AR

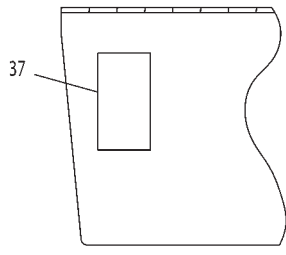
1792261E
PR: t05b22n43d0526

MT800B SERIES TRACTORS
DECALS & MARKINGS

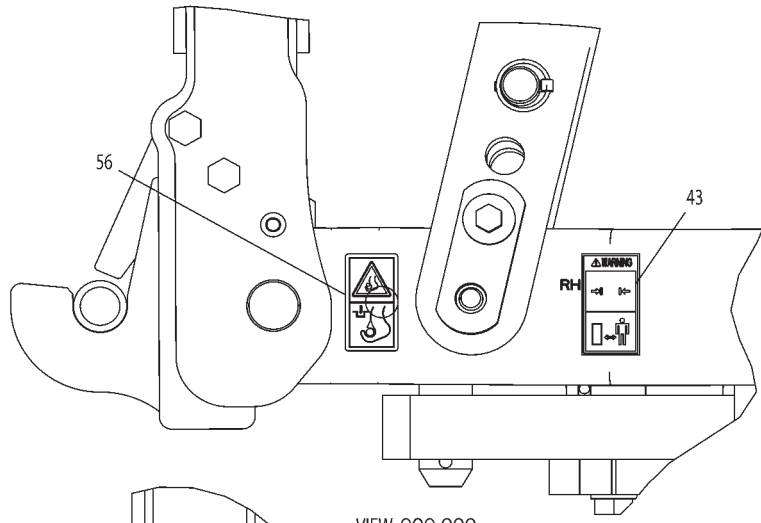
FILM GP-PAINT & - 179-2261
EAME ONLY
(PAGE 6 OF 9)



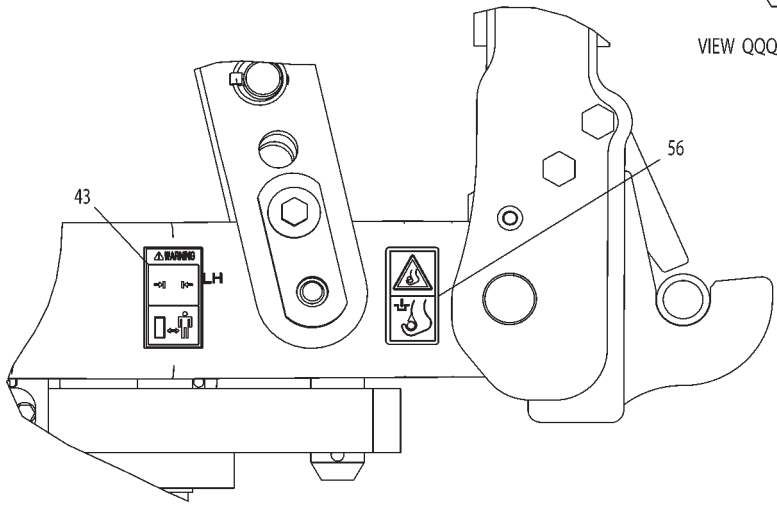
REAR VIEW
(3PT HITCH INSTALLED)



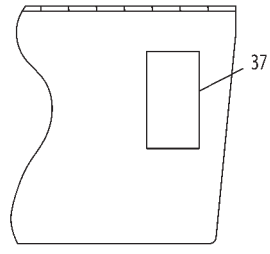
VIEW SSS-SSS



VIEW QQQ-QQQ



VIEW PPP-PPP



VIEW RRR-RRR

**MT800B SERIES TRACTORS
DECALS & MARKINGS**

1183

**FILM GP-PAINT & - 179-2261
EAME ONLY
(PAGE 6 OF 9)**

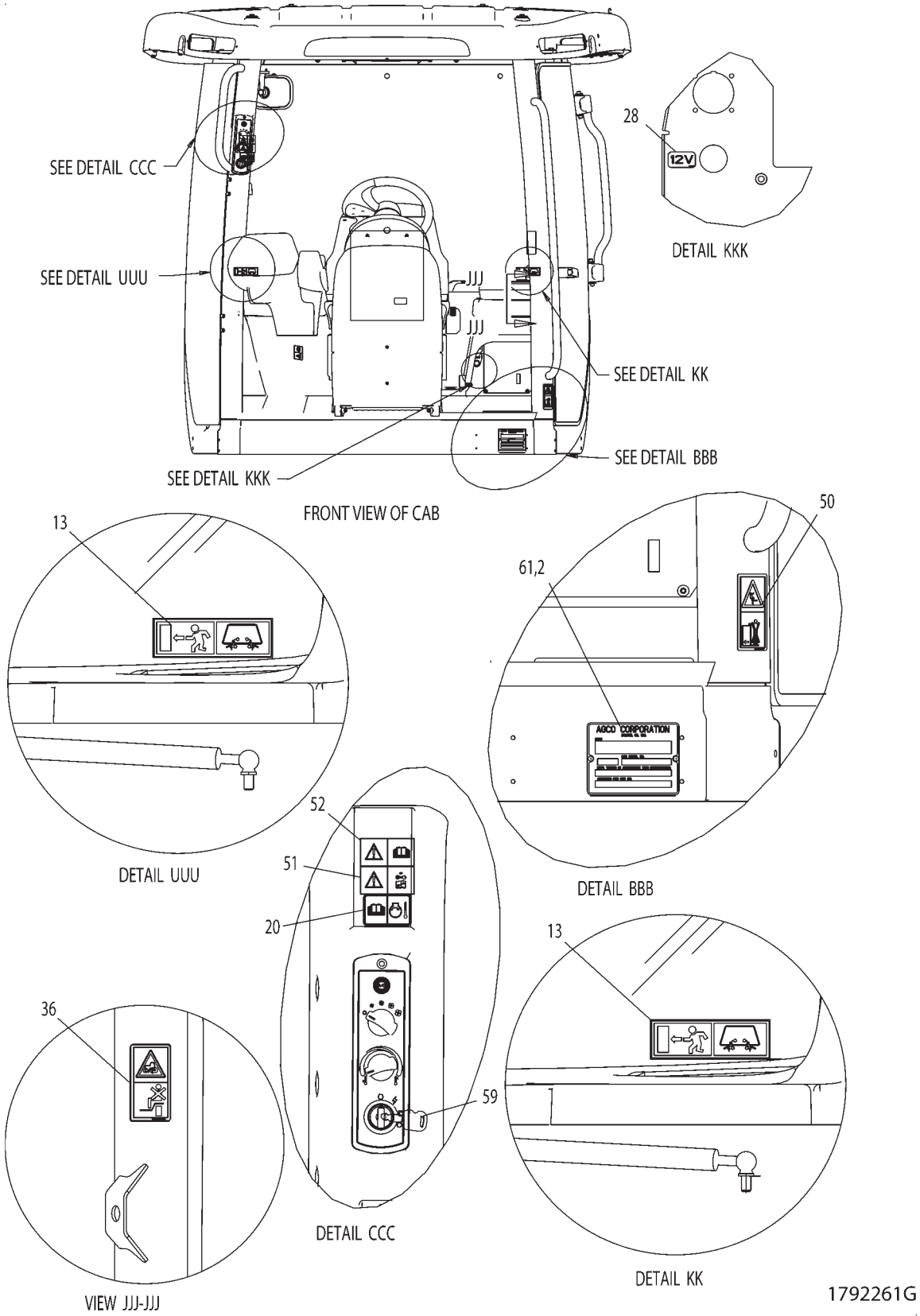
| ITEM | NUMBER | QTY | DESCRIPTION |
|------|----------|-----|---|
| - | 179-2261 | - | FILM GP-PLATE & FILM [A] (NOT SERVICED) |
| - | 501501D1 | 1 | DECAL SHEET-CAB (INCLUDES * ITEMS) |
| - | 501259D1 | 1 | FILM-NOTICE *** |
| - | 501281D1 | 1 | FILM-MIRRORS * |
| - | 501297D1 | 1 | FILM-WIRE ACCESS * |
| - | 501298D1 | 1 | FILM-WARNING * |
| - | 501265D1 | 1 | FILM-NOTICE * |
| - | 501282D1 | 1 | FILM-ROAD SPEED * |
| - | 501253D1 | 3 | FILM-IDENT (12V) *** |
| - | 501302D1 | 1 | FILM-BRAKE * |
| - | 501274D1 | 2 | FILM-NOTICE * |
| - | 501273D1 | 1 | FILM-NOTICE * |
| - | 501406D1 | 1 | FILM-WIPER DELUXE * |
| - | 501272D1 | 2 | FILM-ATERNATE EXIT * |
| - | 501286D1 | 2 | FILM-INSTALLATION DATE * |
| - | 501503D1 | 1 | DECAL SHEET-VEHICLE (SEE BREAKDOWN) |
| - | 501505D1 | 1 | DECAL SHEET-VEHICLE (INCLUDES ** ITEMS) |
| - | 501257D1 | 2 | FILM-NOTICE ** |
| - | 501260D1 | 2 | FILM-NOTICE ** |
| - | 501263D1 | 2 | FILM-NOTICE ** |
| - | 501296D1 | 1 | FILM-HITCH (LEFT) ** |
| - | 501262D1 | 4 | FILM-NOTICE ** |
| - | 501303D1 | 1 | FILM-COOLANT (COLD FILL) ** |
| - | 501253D1 | 3 | FILM-IDENT (12V) *** |
| - | 501277D1 | 1 | FILM-BATTERY (INST) ** |
| - | 501291D1 | 1 | FILM-BATTERY ** |
| - | 501295D1 | 1 | FILM-HITCH (RIGHT) ** |
| - | 501290D1 | 2 | FILM-CRUSH/SEVER ** |
| - | 501292D1 | 1 | FILM-WARNING (OVERFLOW) ** |
| - | 501259D1 | 1 | FILM-NOTICE * ** |
| - | 501293D1 | 2 | FILM-WARNING ** |
| - | 501306D1 | 1 | FILM-AIR CLEANER ** |
| - | 501287D1 | 1 | FILM-WARNING ** |
| - | 501261D1 | 1 | FILM-NOTICE ** |
| - | 501267D1 | 1 | FILM-HYD COUPLERS (INST) ** |
| - | 501301D1 | 2 | FILM-TIGHTENING (BOLT) ** |
| - | 501300D1 | 2 | FILM-TIGHTENING (BOLT) ** |
| - | 501299D1 | 4 | FILM-TIGHTENING (BOLT) ** |
| 37 | 501264D1 | 2 | FILM-NOTICE ** |
| 43 | 501254D1 | 2 | FILM-WARNING ** |
| 56 | 501294D1 | 2 | FILM-WARNING (HITCH) ** |

[A] PART OF 501811D1 BASE COMMON AR

1792261F
PR: t05b22n43d0527

MT800B SERIES TRACTORS
DECALS & MARKINGS

FILM GP-PAINT & - 179-2261
EAME ONLY
(PAGE 7 OF 9)



**MT800B SERIES TRACTORS
DECALS & MARKINGS**

1185

**FILM GP-PAINT & - 179-2261
EAME ONLY
(PAGE 7 OF 9)**

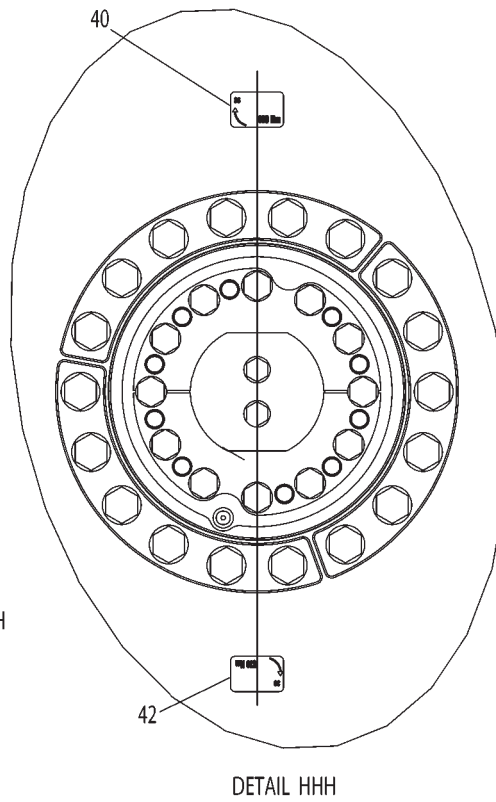
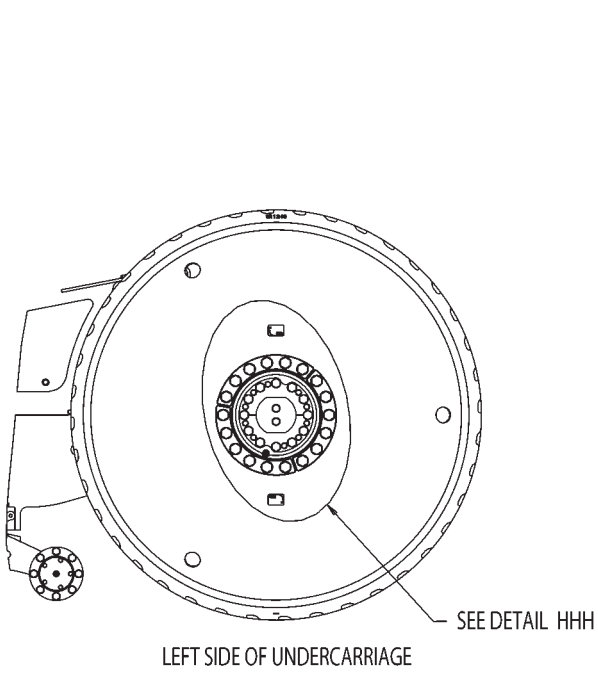
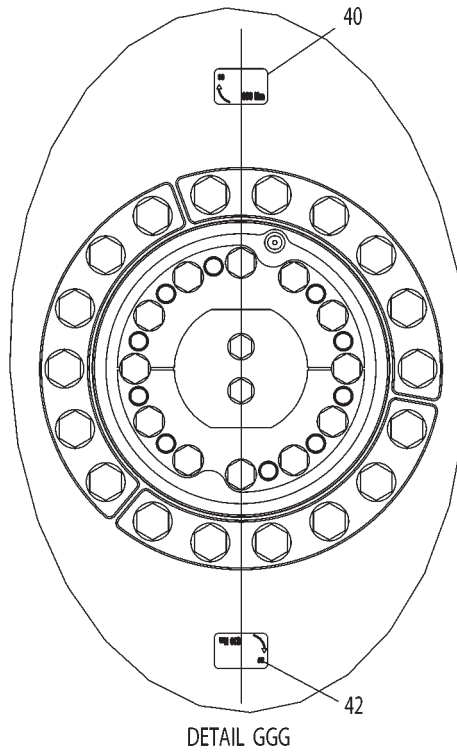
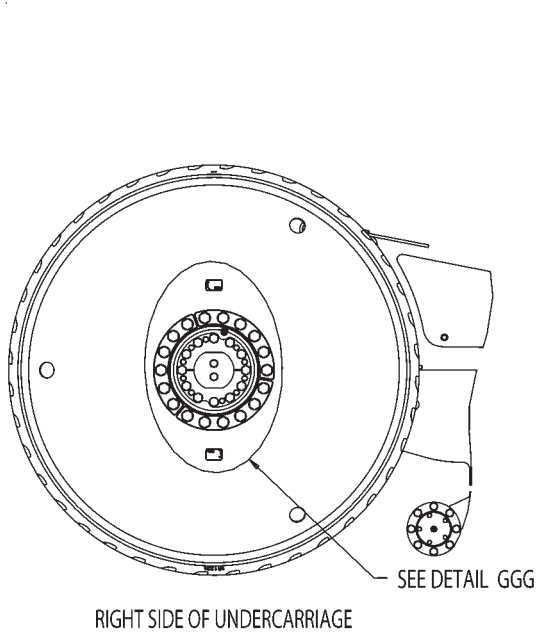
| ITEM | NUMBER | QTY | DESCRIPTION |
|------|-----------|-----|---|
| - | 179-2261 | - | FILM GP-PLATE & FILM [A] (NOT SERVICED) |
| 2 | | 1 | PLATE-ROPS (NOT SERVICED) |
| - | 501501D1 | 1 | DECAL SHEET-CAB (INCLUDES * ITEMS) |
| - | 501281D1 | 1 | FILM-MIRRORS * |
| - | 501297D1 | 1 | FILM-WIRE ACCESS * |
| - | 501282D1 | 1 | FILM-ROAD SPEED * |
| - | 501302D1 | 1 | FILM-BRAKE * |
| - | 501406D1 | 1 | FILM-WIPER DELUXE * |
| - | 501286D1 | 2 | FILM-INSTALLATION DATE * |
| - | 501503D1 | 1 | DECAL SHEET-VEHICLE (SEE BREAKDOWN) |
| - | 501505D1 | 1 | DECAL SHEET-VEHICLE (INCLUDES ** ITEMS) |
| - | 501257D1 | 2 | FILM-NOTICE ** |
| - | 501260D1 | 2 | FILM-NOTICE ** |
| - | 501263D1 | 2 | FILM-NOTICE ** |
| - | 501254D1 | 2 | FILM-WARNING ** |
| - | 501296D1 | 1 | FILM-HITCH (LEFT) ** |
| - | 501262D1 | 4 | FILM-NOTICE ** |
| - | 501303D1 | 1 | FILM-COOLANT (COLD FILL) ** |
| - | 501277D1 | 1 | FILM-BATTERY (INST) ** |
| - | 501291D1 | 1 | FILM-BATTERY ** |
| - | 501295D1 | 1 | FILM-HITCH (RIGHT) ** |
| - | 501294D1 | 2 | FILM-WARNING (HITCH) ** |
| - | 501264D1 | 2 | FILM-NOTICE ** |
| - | 501290D1 | 2 | FILM-CRUSH/SEVER ** |
| - | 501292D1 | 1 | FILM-WARNING (OVERFLOW) ** |
| - | 501293D1 | 2 | FILM-WARNING ** |
| - | 501306D1 | 1 | FILM-AIR CLEANER ** |
| - | 501287D1 | 1 | FILM-WARNING ** |
| - | 501261D1 | 1 | FILM-NOTICE ** |
| - | 501267D1 | 1 | FILM-HYD COUPLERS (INST) ** |
| - | 501301D1 | 2 | FILM-TIGHTENING (BOLT) ** |
| - | 501300D1 | 2 | FILM-TIGHTENING (BOLT) ** |
| - | 501299D1 | 4 | FILM-TIGHTENING (BOLT) ** |
| 13 | 501272D1 | 2 | FILM-TERNATE EXIT * |
| 20 | 501298D1 | 1 | FILM-WARNING * |
| 28 | 501253D1 | 3 | FILM-IDENT (12V) * ** |
| 36 | 501259D1 | 1 | FILM-NOTICE *** |
| 50 | 501265D1 | 1 | FILM-NOTICE * |
| 51 | 501273D1 | 1 | FILM-NOTICE * |
| 52 | 501274D1 | 2 | FILM-NOTICE * |
| 59 | CH5P-8500 | 2 | KEY |
| 61 | CH8C-3348 | 2 | RIVET-BLIND 1.6-3.18GRIPX3.18 |

[A] PART OF 501811D1 BASE COMMON AR

1792261G
PR: t05b22n43d0528

MT800B SERIES TRACTORS
DECALS & MARKINGS

FILM GP-PAINT & - 179-2261
EAME ONLY
(PAGE 8 OF 9)



**MT800B SERIES TRACTORS
DECALS & MARKINGS**

1187

**FILM GP-PAINT & - 179-2261
EAME ONLY
(PAGE 8 OF 9)**

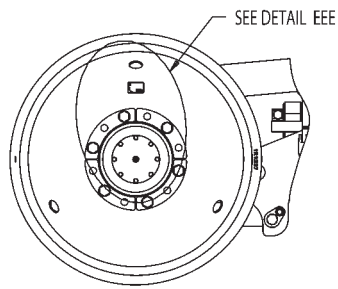
| ITEM | NUMBER | QTY | DESCRIPTION |
|------|----------|-----|---|
| - | 179-2261 | - | FILM GP-PLATE & FILM [A] (NOT SERVICED) |
| - | 501501D1 | 1 | DECAL SHEET-CAB (INCLUDES * ITEMS) |
| - | 501259D1 | 1 | FILM-NOTICE *** |
| - | 501281D1 | 1 | FILM-MIRRORS * |
| - | 501297D1 | 1 | FILM-WIRE ACCESS * |
| - | 501298D1 | 1 | FILM-WARNING * |
| - | 501265D1 | 1 | FILM-NOTICE * |
| - | 501282D1 | 1 | FILM-ROAD SPEED * |
| - | 501253D1 | 3 | FILM-IDENT (12V) *** |
| - | 501302D1 | 1 | FILM-BRAKE * |
| - | 501274D1 | 2 | FILM-NOTICE * |
| - | 501273D1 | 1 | FILM-NOTICE * |
| - | 501406D1 | 1 | FILM-WIPER DELUXE * |
| - | 501272D1 | 2 | FILM-ATERNATE EXIT * |
| - | 501286D1 | 2 | FILM-INSTALLATION DATE * |
| - | 501503D1 | 1 | DECAL SHEET-VEHICLE (SEE BREAKDOWN) |
| - | 501505D1 | 1 | DECAL SHEET-VEHICLE (INCLUDES ** ITEMS) |
| - | 501257D1 | 2 | FILM-NOTICE ** |
| - | 501260D1 | 2 | FILM-NOTICE ** |
| - | 501263D1 | 2 | FILM-NOTICE ** |
| - | 501254D1 | 2 | FILM-WARNING ** |
| - | 501296D1 | 1 | FILM-HITCH (LEFT) ** |
| - | 501262D1 | 4 | FILM-NOTICE ** |
| - | 501303D1 | 1 | FILM-COOLANT (COLD FILL) ** |
| - | 501253D1 | 3 | FILM-IDENT (12V) *** |
| - | 501277D1 | 1 | FILM-BATTERY (INST) ** |
| - | 501291D1 | 1 | FILM-BATTERY ** |
| - | 501295D1 | 1 | FILM-HITCH (RIGHT) ** |
| - | 501294D1 | 2 | FILM-WARNING (HITCH) ** |
| - | 501264D1 | 2 | FILM-NOTICE ** |
| - | 501290D1 | 2 | FILM-CRUSH/SEVER ** |
| - | 501292D1 | 1 | FILM-WARNING (OVERFLOW) ** |
| - | 501259D1 | 1 | FILM-NOTICE *** |
| - | 501293D1 | 2 | FILM-WARNING ** |
| - | 501306D1 | 1 | FILM-AIR CLEANER ** |
| - | 501287D1 | 1 | FILM-WARNING ** |
| - | 501261D1 | 1 | FILM-NOTICE ** |
| - | 501267D1 | 1 | FILM-HYD COUPLERS (INST) ** |
| - | 501300D1 | 2 | FILM-TIGHTENING (BOLT) ** |
| 40 | 501299D1 | 4 | FILM-TIGHTENING (BOLT) ** |
| 42 | 501301D1 | 2 | FILM-TIGHTENING (BOLT) ** |

[A] PART OF 501811D1 BASE COMMON AR

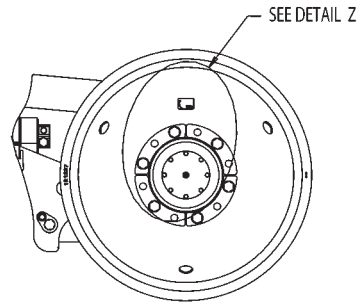
1792261H
PR: t05b22n43d0529

MT800B SERIES TRACTORS
DECALS & MARKINGS

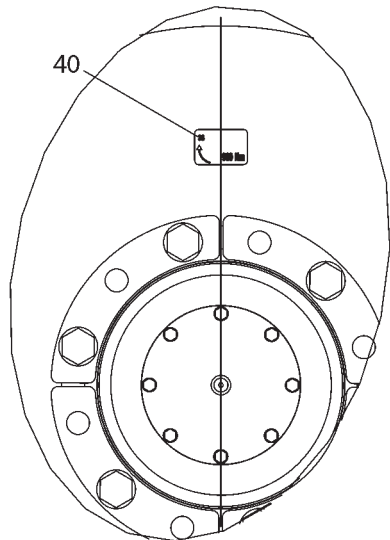
FILM GP-PAINT & - 179-2261
EAME ONLY
(PAGE 9 OF 9)



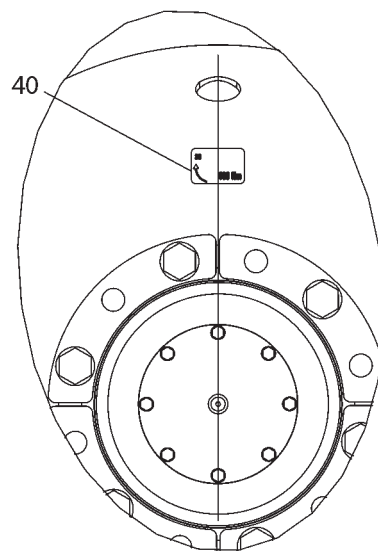
LEFT SIDE OF UNDERCARRIAGE



RIGHT SIDE OF UNDERCARRIAGE



DETAIL Z



DETAIL EEE

**MT800B SERIES TRACTORS
DECALS & MARKINGS**

1189

**FILM GP-PAINT & - 179-2261
EAME ONLY
(PAGE 9 OF 9)**

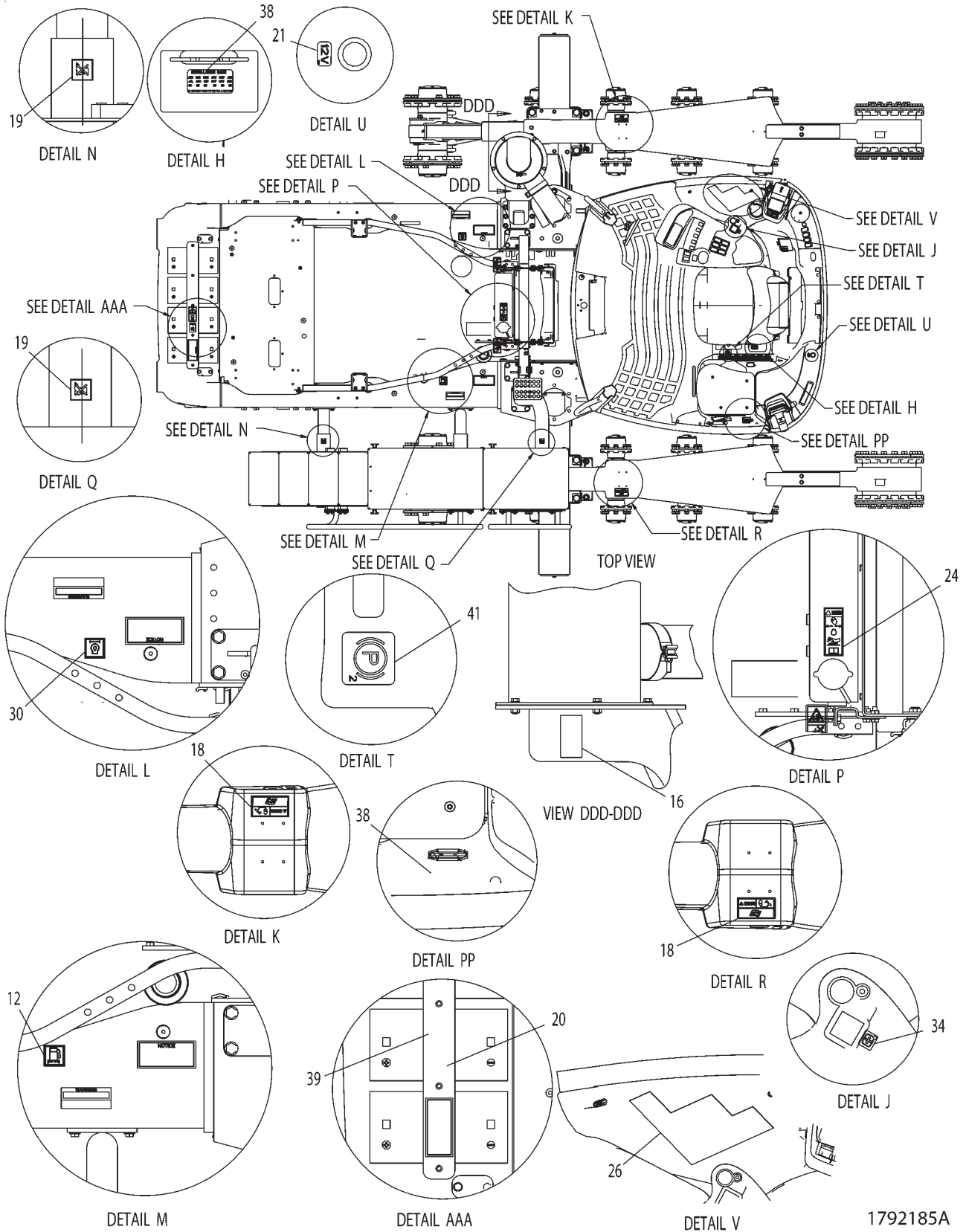
| ITEM | NUMBER | QTY | DESCRIPTION |
|------|----------|-----|---|
| - | 179-2261 | - | FILM GP-PLATE & FILM [A] (NOT SERVICED) |
| - | 501501D1 | 1 | DECAL SHEET-CAB (INCLUDES * ITEMS) |
| - | 501259D1 | 1 | FILM-NOTICE *** |
| - | 501281D1 | 1 | FILM-MIRRORS * |
| - | 501297D1 | 1 | FILM-WIRE ACCESS * |
| - | 501298D1 | 1 | FILM-WARNING * |
| - | 501265D1 | 1 | FILM-NOTICE * |
| - | 501282D1 | 1 | FILM-ROAD SPEED * |
| - | 501253D1 | 3 | FILM-IDENT (12V) *** |
| - | 501302D1 | 1 | FILM-BRAKE * |
| - | 501274D1 | 2 | FILM-NOTICE * |
| - | 501273D1 | 1 | FILM-NOTICE * |
| - | 501406D1 | 1 | FILM-WIPER DELUXE * |
| - | 501272D1 | 2 | FILM-ATERNATE EXIT * |
| - | 501286D1 | 2 | FILM-INSTALLATION DATE * |
| - | 501503D1 | 1 | DECAL SHEET-VEHICLE (SEE BREAKDOWN) |
| - | 501505D1 | 1 | DECAL SHEET-VEHICLE (INCLUDES ** ITEMS) |
| - | 501257D1 | 2 | FILM-NOTICE ** |
| - | 501260D1 | 2 | FILM-NOTICE ** |
| - | 501263D1 | 2 | FILM-NOTICE ** |
| - | 501254D1 | 2 | FILM-WARNING ** |
| - | 501296D1 | 1 | FILM-HITCH (LEFT) ** |
| - | 501262D1 | 4 | FILM-NOTICE ** |
| - | 501303D1 | 1 | FILM-COOLANT (COLD FILL) ** |
| - | 501253D1 | 3 | FILM-IDENT (12V) *** |
| - | 501277D1 | 1 | FILM-BATTERY (INST) ** |
| - | 501291D1 | 1 | FILM-BATTERY ** |
| - | 501295D1 | 1 | FILM-HITCH (RIGHT) ** |
| - | 501294D1 | 2 | FILM-WARNING (HITCH) ** |
| - | 501264D1 | 2 | FILM-NOTICE ** |
| - | 501290D1 | 2 | FILM-CRUSH/SEVER ** |
| - | 501292D1 | 1 | FILM-WARNING (OVERFLOW) ** |
| - | 501259D1 | 1 | FILM-NOTICE *** |
| - | 501293D1 | 2 | FILM-WARNING ** |
| - | 501306D1 | 1 | FILM-AIR CLEANER ** |
| - | 501287D1 | 1 | FILM-WARNING ** |
| - | 501261D1 | 1 | FILM-NOTICE ** |
| - | 501267D1 | 1 | FILM-HYD COUPLERS (INST) ** |
| - | 501301D1 | 2 | FILM-TIGHTENING (BOLT) ** |
| - | 501300D1 | 2 | FILM-TIGHTENING (BOLT) ** |
| 40 | 501299D1 | 4 | FILM-TIGHTENING (BOLT) ** |

[A] PART OF 501811D1 BASE COMMON AR

1792261J
PR: t05b22n43d0530

MT800B SERIES TRACTORS
DECALS & MARKINGS

FILM GP-& PLATES - 179-2185
ROW & SPECIAL
(PAGE 1 OF 5)



**MT800B SERIES TRACTORS
DECALS & MARKINGS**

1191

**FILM GP-& PLATES - 179-2185
ROW & SPECIAL
(PAGE 1 OF 5)**

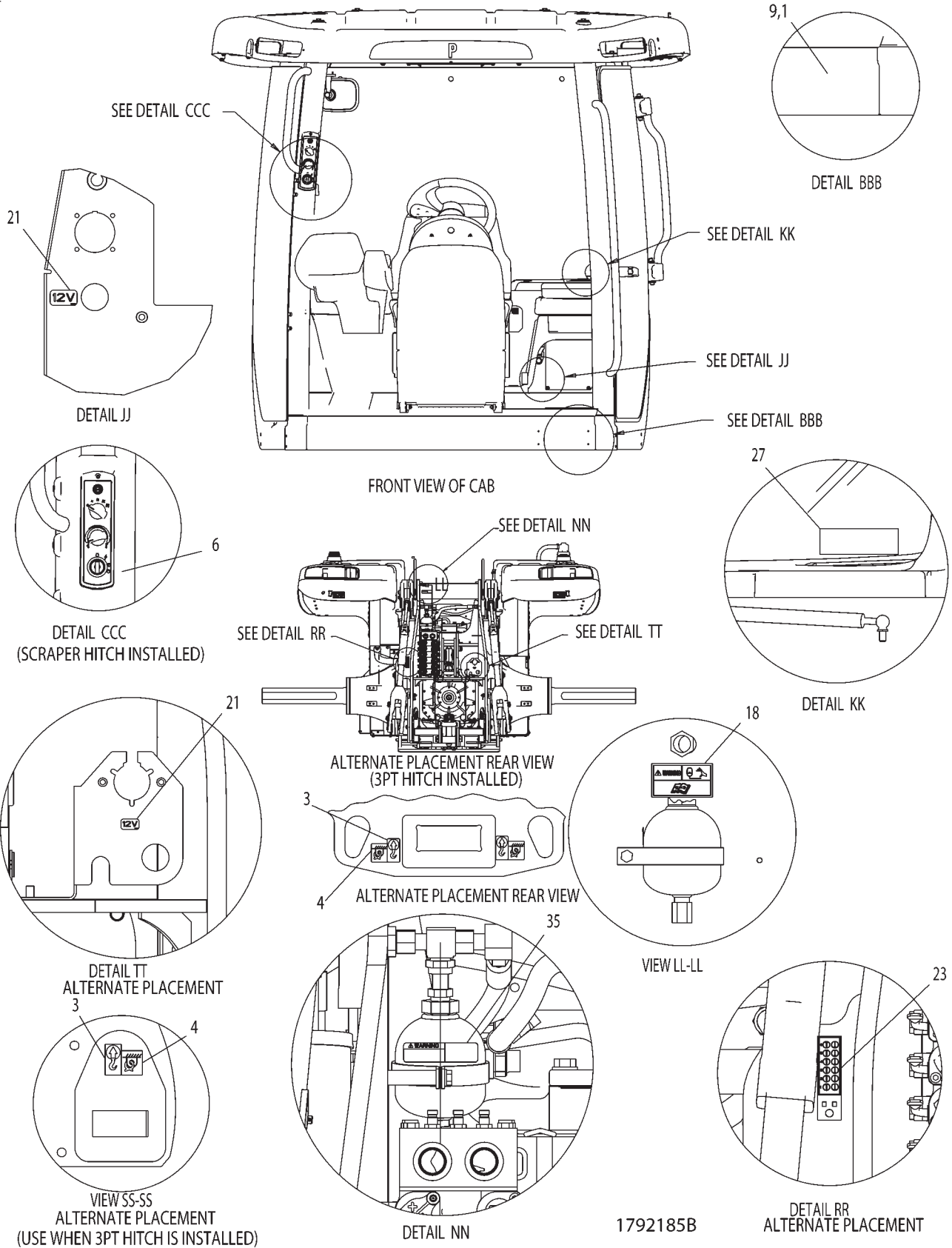
| ITEM | NUMBER | QTY | DESCRIPTION |
|------|----------|-----|---|
| - | 179-2185 | - | FILM GP-PAINT & (NOT SERVICED) |
| 12 | 501103D1 | - | FILM-INST (FUEL FILTER) |
| 16 | 501107D1 | - | FILM-WARNING (HOT SURFACE) |
| 18 | 501250D1 | - | FILM-WARNING |
| 19 | 501251D1 | - | FILM-NO STEP |
| 20 | 501252D1 | - | FILM-IDENT (12V) |
| 21 | 501253D1 | - | FILM-IDENT (12V) * ** |
| 24 | 501268D1 | - | FILM-WARNING |
| 26 | 501270D1 | 1 | FILM-FUSE PANEL |
| 30 | 501276D1 | - | FILM-ENGINE OIL FILTER(INST) |
| 34 | 501281D1 | - | FILM-MIRRORS * |
| 38 | 501286D1 | - | FILM-INSTALLATION DATE * |
| 39 | 501287D1 | - | FILM-WARNING ** |
| 41 | 501289D1 | - | FILM-PARK BRAKE * |
| - | 501500D1 | 1 | DECAL SHEET-CAB (INCLUDES * ITEMS) |
| - | 501272D1 | - | FILM ALTERNATE EXIT * |
| - | 501405D1 | - | FILM-NOTICE (WIDE GAUGE) * |
| - | 501256D1 | - | FILM-WIPER BASIC * |
| - | 501406D1 | - | FILM-WIPER DELUXE * |
| - | 501274D1 | - | FILM-WARNING * |
| - | 501503D1 | 1 | DECAL SHEET-VEHICLE (SEE BREAKDOWN) |
| - | 501504D1 | 1 | DECAL SHEET-VEHICLE (INCLUDES ** ITEMS) |
| - | 501277D1 | - | PLATE-INST BATTERY ** |
| - | 501306D1 | - | FILM-AIR CLEANER ** |
| - | 501267D1 | - | FILM-HYD COUPLER ** |

PART OF:
179-1952; 501810D1 BASE COMMON AR

1792185A
PR: t05b22n43d0531

MT800B SERIES TRACTORS
DECALS & MARKINGS

FILM GP-& PLATES - 179-2185
ROW & SPECIAL
(PAGE 2 OF 5)



**MT800B SERIES TRACTORS
DECALS & MARKINGS**

1193

**FILM GP-& PLATES - 179-2185
ROW & SPECIAL
(PAGE 2 OF 5)**

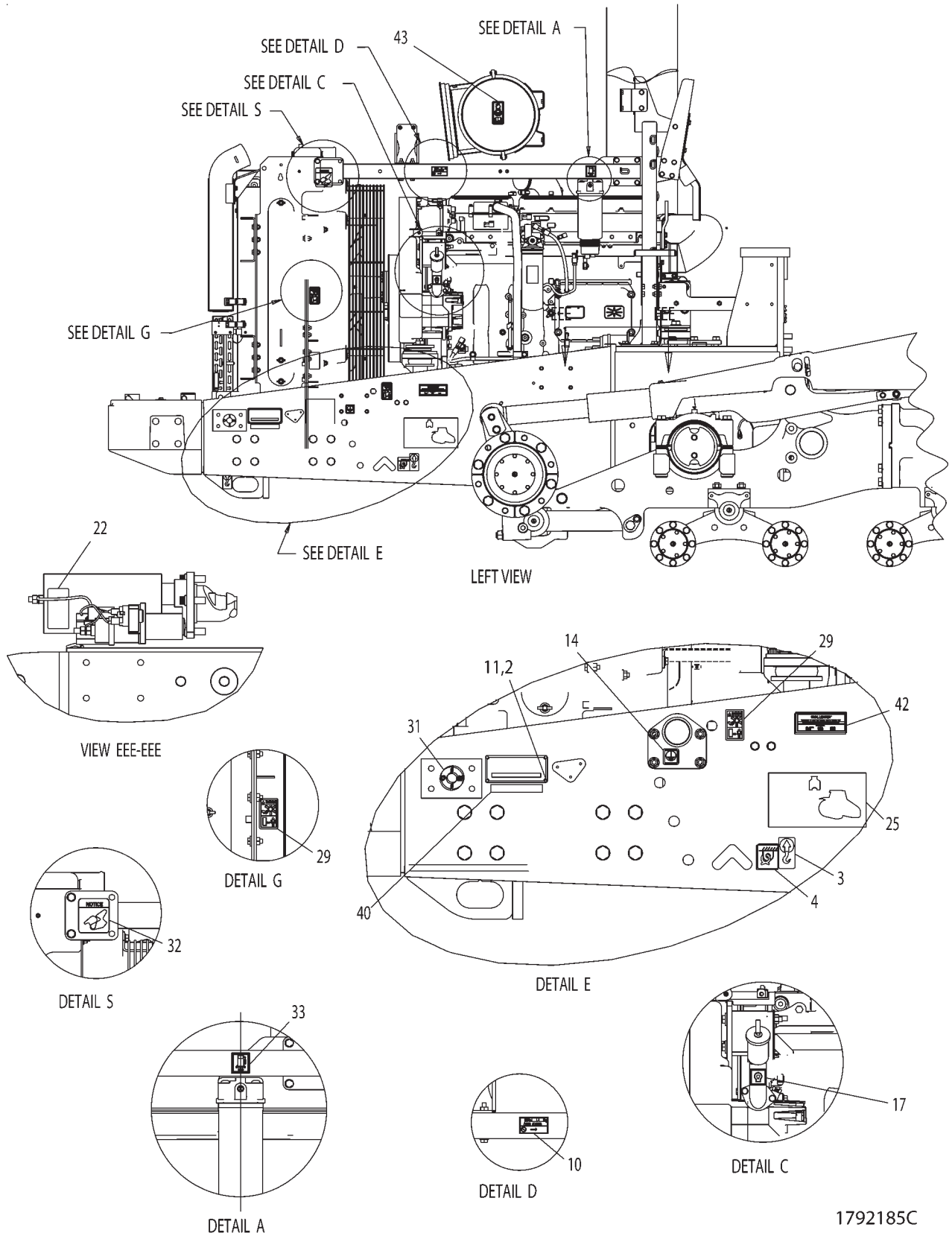
| ITEM | NUMBER | QTY | DESCRIPTION |
|------|-----------|-----|---|
| - | 179-2185 | - | FILM GP-PAINT & (NOT SERVICED) |
| 1 | | 1 | PLATE-ROPS (NOT SERVICED) |
| 3 | 500371D1 | - | FILM-LIFT |
| 4 | 500372D1 | - | FILM-TIE-DOWN |
| 6 | CH5P-8500 | 2 | KEY |
| 9 | CH8C-3348 | 2 | RIVET-BLIND 1.6-3.18GRIPX3.18 |
| 18 | 501250D1 | - | FILM-WARNING |
| 21 | 501253D1 | - | FILM-IDENT (12V) * ** |
| 23 | 501267D1 | - | FILM-HYD COUPLERS (INST) ** |
| 27 | 501272D1 | - | FILM-ATERNATE EXIT * |
| 35 | 501283D1 | - | FILM-WARNING |
| - | 501500D1 | 1 | DECAL SHEET-CAB (INCLUDES * ITEMS) |
| - | 501289D1 | - | FILM-PARK BRAKE * |
| - | 501405D1 | - | FILM-NOTICE (WIDE GAUGE) * |
| - | 501256D1 | - | FILM-WIPER BASIC * |
| - | 501406D1 | - | FILM-WIPER DELUXE * |
| - | 501281D1 | - | FILM-MIRRORS * |
| - | 501286D1 | - | FILM-INSTALLATION DATE * |
| - | 501274D1 | - | FILM-WARNING * |
| - | 501503D1 | 1 | DECAL SHEET-VEHICLE (SEE BREAKDOWN) |
| - | 501504D1 | 1 | DECAL SHEET-VEHICLE (INCLUDES ** ITEMS) |
| - | 501287D1 | - | FILM-WARNING ** |
| - | 501277D1 | - | PLATE-INST BATTERY ** |
| - | 501306D1 | - | FILM-AIR CLEANER ** |

PART OF:
179-1952; 501810D1 BASE COMMON AR

1792185B
PR: t05b22n43d0532

MT800B SERIES TRACTORS
DECALS & MARKINGS

FILM GP-& PLATES - 179-2185
ROW & SPECIAL
(PAGE 3 OF 5)



**MT800B SERIES TRACTORS
DECALS & MARKINGS**

1195

**FILM GP-& PLATES - 179-2185
ROW & SPECIAL
(PAGE 3 OF 5)**

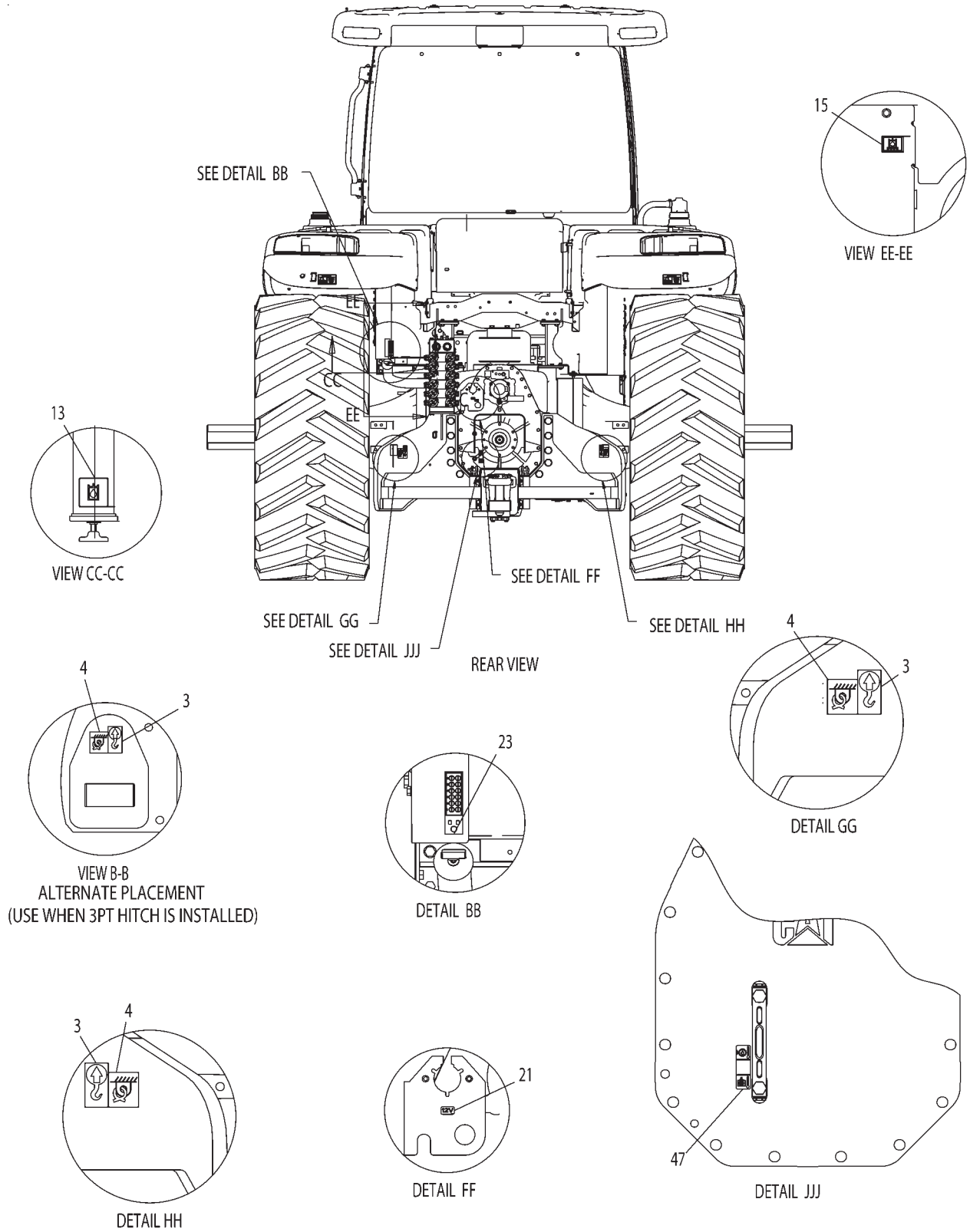
| ITEM | NUMBER | QTY | DESCRIPTION |
|------|------------|-----|---|
| - | 179-2185 | - | FILM GP-PAINT & (NOT SERVICED) |
| 2 | 222-2281 | 1 | PLATE-SERIAL NO. (NOT SERVICED) |
| 3 | 500371D1 | - | FILM-LIFT |
| 4 | 500372D1 | - | FILM-TIE-DOWN |
| 10 | 110-6393 | 1 | PLATE-INST (A/C) |
| 11 | CH168-8389 | 4 | TACK-FASTENER (METAL) |
| 14 | 501105D1 | - | FILM-GROUND GEN |
| 17 | 501108D1 | - | FILM-INSTRUCTION |
| 22 | 501258D1 | - | FILM-NOTICE |
| 25 | 501269D1 | - | FILM-NOTICE (SHIPPING) |
| 29 | 501275D1 | - | FILM-WARNING (FAN) |
| 31 | 501277D1 | - | FILM-BATTERY (INST) ** |
| 32 | 501278D1 | - | FILM-BELT (ROUTING) |
| 33 | 501280D1 | - | FILM-WATER SEPARATOR |
| 40 | 501288D1 | - | FILM-CLEAR COVER |
| 42 | 501305D1 | - | FILM-PATENT |
| 43 | 501306D1 | - | FILM-AIR CLEANER ** |
| 44 | 501500D1 | 1 | DECAL SHEET-CAB (INCLUDES * ITEMS) |
| - | 501289D1 | - | FILM-PARK BRAKE * |
| - | 501272D1 | - | FILM ALTERNATE EXIT * |
| - | 501405D1 | - | FILM-NOTICE (WIDE GAUGE) * |
| - | 501256D1 | - | FILM-WIPER BASIC * |
| - | 501406D1 | - | FILM-WIPER DELUXE * |
| - | 501253D1 | - | FILM-IDENT (12V) *** |
| - | 501281D1 | - | FILM-MIRRORS * |
| - | 501286D1 | - | FILM-INSTALLATION DATE * |
| - | 501274D1 | - | FILM-WARNING * |
| - | 501503D1 | 1 | DECAL SHEET-VEHICLE (SEE BREAKDOWN) |
| - | 501504D1 | 1 | DECAL SHEET-VEHICLE (INCLUDES ** ITEMS) |
| - | 501253D1 | - | FILM-IDENT (12V) *** |
| - | 501287D1 | - | FILM-WARNING ** |
| - | 501267D1 | - | FILM-HYD COUPLERS (INST) ** |

PART OF:
179-1952; 501810D1 BASE COMMON AR

1792185C
PR: t05b22n43d0533

MT800B SERIES TRACTORS
DECALS & MARKINGS

FILM GP-& PLATES - 179-2185
ROW & SPECIAL
(PAGE 4 OF 5)



**MT800B SERIES TRACTORS
DECALS & MARKINGS**

1197

**FILM GP-& PLATES - 179-2185
ROW & SPECIAL
(PAGE 4 OF 5)**

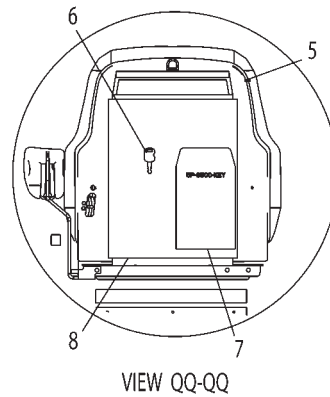
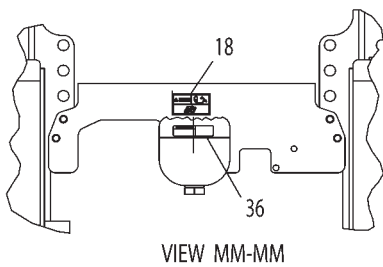
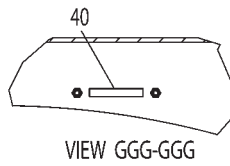
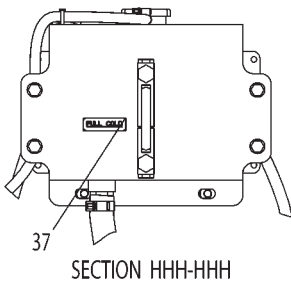
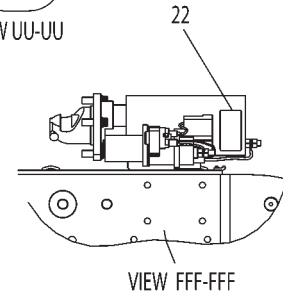
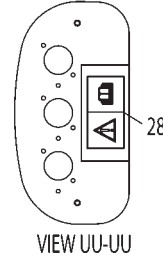
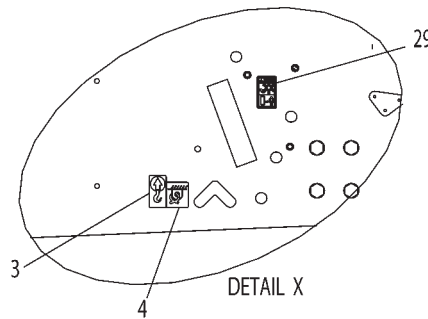
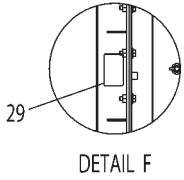
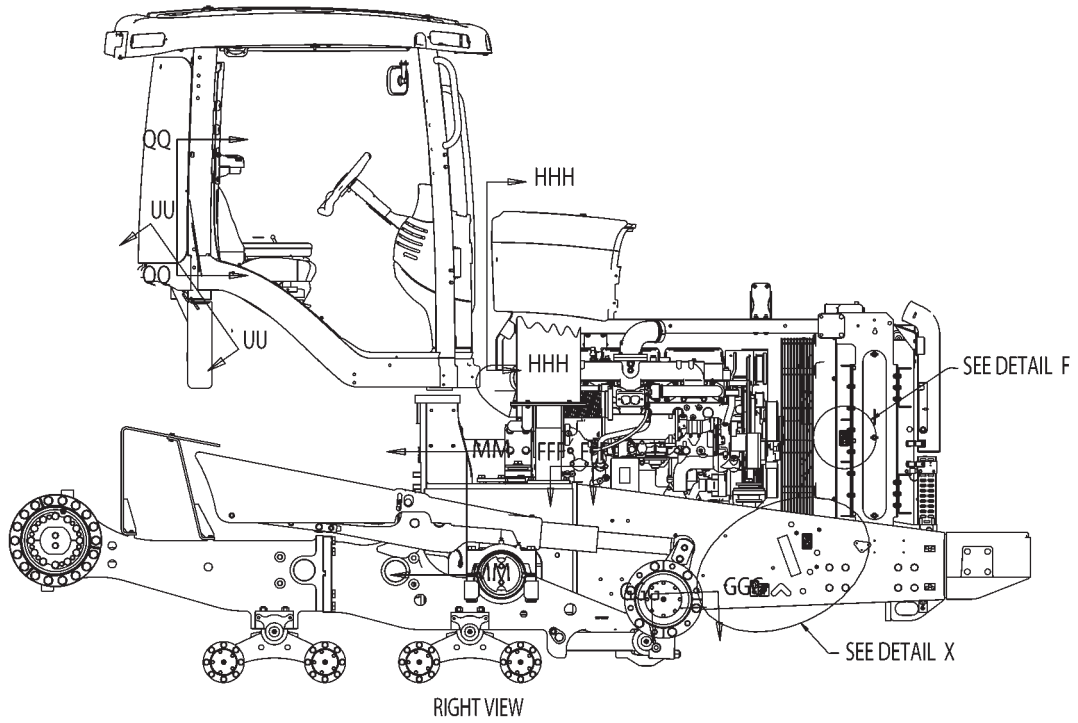
| ITEM | NUMBER | QTY | DESCRIPTION |
|------|----------|-----|---|
| - | 179-2185 | - | FILM GP-PAINT & (NOT SERVICED) |
| 3 | 500371D1 | - | FILM-LIFT |
| 4 | 500372D1 | - | FILM-TIE-DOWN |
| 13 | 501104D1 | - | FILM-HYDRAULIC OIL |
| 15 | 501106D1 | - | FILM-IDENT (HYD OIL FILTER) |
| 21 | 501253D1 | - | FILM-IDENT (12V) *** |
| 23 | 501267D1 | - | FILM-HYD COUPLERS (INST) ** |
| - | 501500D1 | 1 | DECAL SHEET-CAB (INCLUDES * ITEMS) |
| - | 501289D1 | - | FILM-PARK BRAKE * |
| - | 501272D1 | - | FILM ALTERNATE EXIT * |
| - | 501405D1 | - | FILM-NOTICE (WIDE GAUGE) * |
| - | 501256D1 | - | FILM-WIPER BASIC * |
| - | 501406D1 | - | FILM-WIPER DELUXE * |
| - | 501281D1 | - | FILM-MIRRORS * |
| - | 501286D1 | - | FILM-INSTALLATION DATE * |
| - | 501274D1 | - | FILM-WARNING * |
| - | 501503D1 | 1 | DECAL SHEET-VEHICLE (SEE BREAKDOWN) |
| - | 501504D1 | 1 | DECAL SHEET-VEHICLE (INCLUDES ** ITEMS) |
| - | 501287D1 | - | FILM-WARNING ** |
| - | 501277D1 | - | FILM-BATTERY (INST) ** |
| - | 501306D1 | - | FILM-AIR CLEANER ** |
| - | 501307D1 | - | FILM-XMSN OIL FILL |

PART OF:
179-1952; 501810D1 BASE COMMON AR

1792185D
PR: t05b22n43d0534

MT800B SERIES TRACTORS
DECALS & MARKINGS

FILM GP-& PLATES - 179-2185
ROW & SPECIAL
(PAGE 5 OF 5)



**MT800B SERIES TRACTORS
DECALS & MARKINGS**

1199

**FILM GP-& PLATES - 179-2185
ROW & SPECIAL
(PAGE 5 OF 5)**

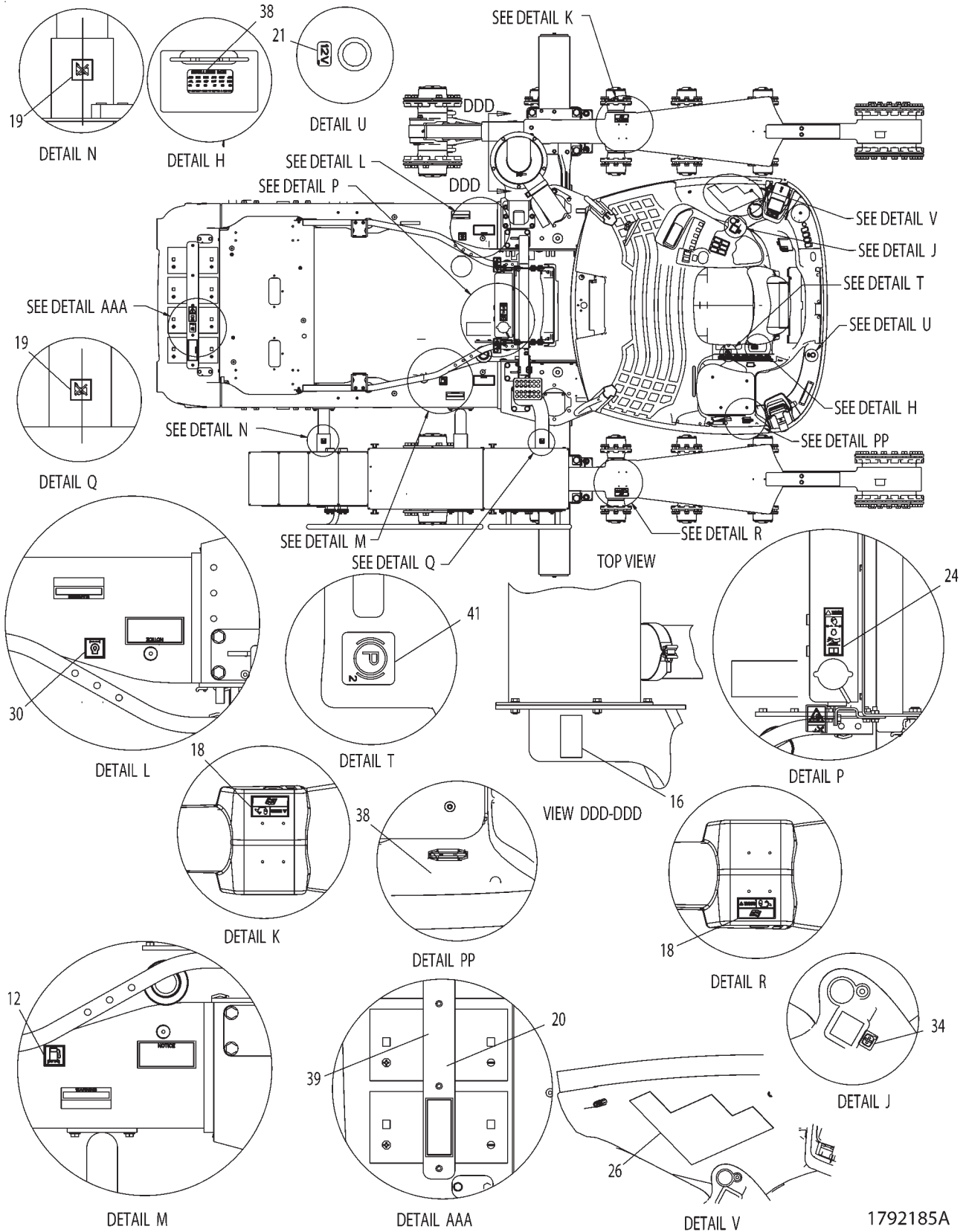
| ITEM | NUMBER | QTY | DESCRIPTION |
|------|-----------|-----|---|
| - | 179-2185 | - | FILM GP-PAINT & (NOT SERVICED) |
| 3 | 500371D1 | - | FILM-LIFT |
| 4 | 500372D1 | - | FILM-TIE-DOWN |
| 5 | CH5P-7958 | 1 | SLEEVE-CABLE SPLICE 2.38 OD |
| 6 | CH5P-8500 | 2 | KEY |
| 7 | CH6V-2405 | 1 | ENVELOPE-KEY |
| 8 | CH7F-3400 | 1 | BAG-POLYETHYLENE 305 X 380 |
| 18 | 501250D1 | - | FILM-WARNING |
| 22 | 501258D1 | - | FILM-NOTICE |
| 28 | 501274D1 | - | FILM-NOTICE * |
| 29 | 501275D1 | - | FILM-WARNING (FAN) |
| 36 | 501284D1 | - | FILM-WARNING |
| 37 | 501285D1 | - | FILM-FULL COLD |
| - | 501500D1 | 1 | DECAL SHEET-CAB (INCLUDES * ITEMS) |
| - | 501289D1 | - | FILM-PARK BRAKE * |
| - | 501272D1 | - | FILM ALTERNATE EXIT * |
| - | 501405D1 | - | FILM-NOTICE (WIDE GAUGE) * |
| - | 501256D1 | - | FILM-WIPER BASIC * |
| - | 501406D1 | - | FILM-WIPER DELUXE * |
| - | 501253D1 | - | FILM-IDENT (12V) *** |
| - | 501281D1 | - | FILM-MIRRORS * |
| - | 501286D1 | - | FILM-INSTALLATION DATE * |
| - | 501503D1 | 1 | DECAL SHEET-VEHICLE (SEE BREAKDOWN) |
| - | 501504D1 | 1 | DECAL SHEET-VEHICLE (INCLUDES ** ITEMS) |
| - | 501253D1 | - | FILM-IDENT (12V) *** |
| - | 501287D1 | - | FILM-WARNING ** |
| - | 501277D1 | - | FILM-BATTERY (INST) ** |
| - | 501306D1 | - | FILM-AIR CLEANER ** |
| - | 501267D1 | - | FILM-HYD COUPLERS (INST) ** |

PART OF:
179-1952; 501810D1 BASE COMMON AR

1792185E
PR: t05b22n43d0535

MT800B SERIES TRACTORS DECALS & MARKINGS

179-2185 FILM GP-PAINT & ROW & SPECIAL APPLICATIONS



**MT800B SERIES TRACTORS
DECALS & MARKINGS**

1201

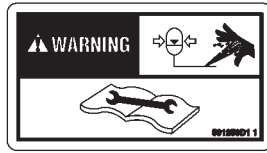
**179-2185 FILM GP-PAINT &
ROW & SPECIAL APPLICATIONS**

| ITEM | NUMBER | QTY | DESCRIPTION |
|------|------------|-----|---------------------------------|
| - | 179-2185 | - | FILM GP-PAINT & (NOT SERVICED) |
| 1 | | 1 | PLATE-ROPS (NOT SERVICED) |
| 2 | 222-2281 | 1 | PLATE-SERIAL NO. (NOT SERVICED) |
| 3 | 500371D1 | - | FILM-LIFT |
| 4 | 500372D1 | - | FILM-TIE-DOWN |
| 5 | CH5P-7958 | 1 | SLEEVE-CABLE SPLICE 2.38 OD |
| 6 | CH5P-8500 | 2 | KEY |
| 7 | CH6V-2405 | 1 | ENVELOPE-KEY |
| 8 | CH7F-3400 | 1 | BAG-POLYETHYLENE 305 X 380 |
| 9 | CH8C-3348 | 2 | RIVET-BLIND 1.6-3.18GRIPX3.18 |
| 10 | 110-6393 | 1 | PLATE-INST (A/C) |
| 11 | CH168-8389 | 4 | TACK-FASTENER (METAL) |
| 12 | 501103D1 | - | FILM-INST (FUEL FILTER) |
| 13 | 501104D1 | - | FILM-HYDRAULIC OIL |
| 14 | 501105D1 | - | FILM-GROUND GEN |
| 15 | 501106D1 | - | FILM-IDENT (HYD OIL FILTER) |
| 16 | 501107D1 | - | FILM-WARNING (HOT SURFACE) |
| 17 | 501108D1 | - | FILM-INSTRUCTION |
| 18 | 501250D1 | - | FILM-WARNING |
| 19 | 501251D1 | - | FILM-NO STEP |
| 20 | 501252D1 | - | FILM-IDENT (12V) |
| 21 | 501253D1 | - | FILM-IDENT (12V) |
| 22 | 501258D1 | - | FILM-NOTICE |
| 23 | 501267D1 | - | FILM-HYD COUPLERS (INST) |
| 24 | 501268D1 | - | FILM-WARNING |
| 25 | 501269D1 | - | FILM-NOTICE (SHIPPING) |
| 26 | 501270D1 | 1 | FILM-FUSE PANEL |
| 27 | 501272D1 | - | FILM-ATERNATE EXIT |
| 28 | 501274D1 | - | FILM-NOTICE |
| 29 | 501275D1 | - | FILM-WARNING (FAN) |
| 30 | 501276D1 | - | FILM-ENGINE OIL FILTER(INST) |
| 31 | 501277D1 | - | FILM-BATTERY (INST) |
| 32 | 501278D1 | - | FILM-BELT (ROUTING) |
| 33 | 501280D1 | - | FILM-WATER SEPARATOR |
| 34 | 501281D1 | - | FILM-MIRRORS |
| 35 | 501283D1 | - | FILM-WARNING |
| 36 | 501284D1 | - | FILM-WARNING |
| 37 | 501285D1 | - | FILM-FULL COLD |
| 38 | 501286D1 | - | FILM-INSTALLATION DATE |
| 39 | 501287D1 | - | FILM-WARNING |
| 40 | 501288D1 | - | FILM-CLEAR COVER |
| 41 | 501289D1 | - | FILM-PARK BRAKE |
| 42 | 501305D1 | - | FILM-PATENT |
| 43 | 501306D1 | - | FILM-AIR CLEANER |
| 44 | 501500D1 | 1 | DECAL SHEET-CAB |
| 45 | 501503D1 | 1 | DECAL SHEET-VEHICLE |
| 46 | 501504D1 | 1 | DECAL SHEET-VEHICLE |
| 47 | 501307D1 | - | FILM-XMSN OIL FILL |

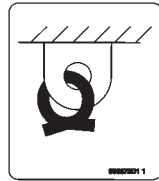
PART OF:
179-1952; 501810D1 BASE COMMON AR

1792185A
PR: t05b22n43d0536

DECAL SHEET-VEHICLE - 501503D1



1



2



3



4



5



6



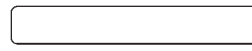
7



8



9



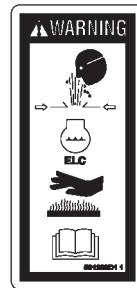
10



11



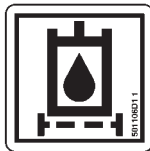
14



18



19



12



15



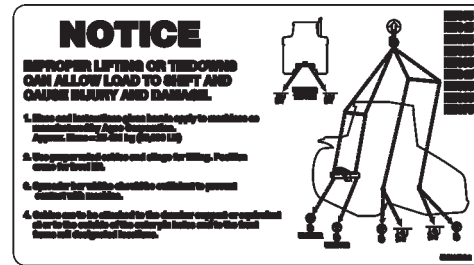
13



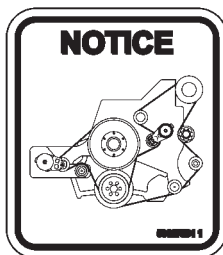
16



17



20



21



22



23



24

**MT800B SERIES TRACTORS
DECALS & MARKINGS**

1203

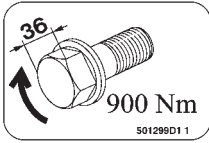
DECAL SHEET-VEHICLE - 501503D1

| ITEM | NUMBER | QTY | DESCRIPTION |
|------|----------|-----|------------------------------|
| - | 501503D1 | - | DECAL SHEET-VEHICLE |
| 1 | 501250D1 | 4 | FILM-WARNING |
| 2 | 500372D1 | 4 | FILM-TIE-DOWN |
| 3 | 501275D1 | 2 | FILM-WARNING (FAN) |
| 4 | 500371D1 | 4 | FILM-LIFT |
| 5 | 501251D1 | 2 | FILM-NO STEP |
| 6 | 501105D1 | 1 | FILM-GROUND GEN |
| 7 | 501285D1 | 1 | FILM-FULL COLD |
| 8 | 501104D1 | 1 | FILM-HYDRAULIC OIL |
| 9 | 501108D1 | 1 | FILM-INSTRUCTION |
| 10 | 501288D1 | 2 | FILM-CLEAR COVER |
| 11 | 501276D1 | 1 | FILM-ENGINE OIL FILTER(INST) |
| 12 | 501106D1 | 1 | FILM-IDENT (HYD OIL FILTER) |
| 13 | 501280D1 | 1 | FILM-WATER SEPARATOR |
| 14 | 501103D1 | 1 | FILM-INST (FUEL FILTER) |
| 15 | 501252D1 | 1 | FILM-IDENT (12V) |
| 16 | 501284D1 | 1 | FILM-WARNING |
| 17 | 501283D1 | 1 | FILM-WARNING |
| 18 | 501268D1 | 1 | FILM-WARNING |
| 19 | 501305D1 | 1 | FILM-PATENT |
| 20 | 501269D1 | 1 | FILM-NOTICE (SHIPPING) |
| 21 | 501278D1 | 1 | FILM-BELT (ROUTING) |
| 22 | 501107D1 | 1 | FILM-WARNING (HOT SURFACE) |
| 23 | 501258D1 | 2 | FILM-NOTICE |
| 24 | 501307D1 | 1 | FILM-XMSN OIL FILL |

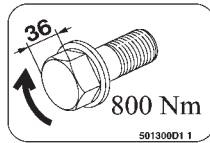
PART OF: 186-0979 HITCH AR

501503DC
PR: t05b22n43d0537

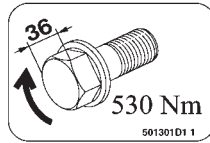
DECAL SHEET-VEHICLE
501505D1
EAME ONLY



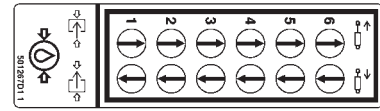
1



2



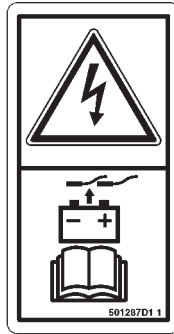
3



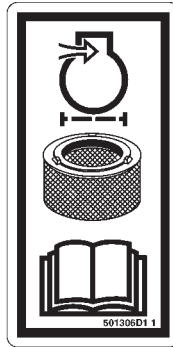
4



5



6



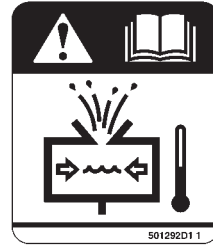
7



8



9



10



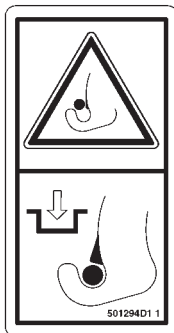
23



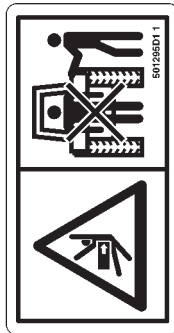
11



12



13



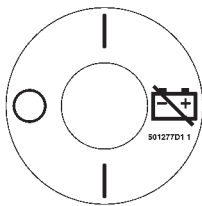
14



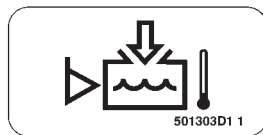
15



24



16



18



19



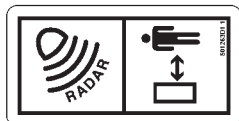
20



21



17



22

**MT800B SERIES TRACTORS
DECALS & MARKINGS**

1205

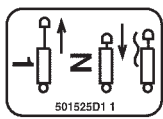
**DECAL SHEET-VEHICLE
501505D1
EAME ONLY**

| ITEM | NUMBER | QTY | DESCRIPTION |
|------|----------|-----|------------------------------|
| - | 501505D1 | - | DECAL SHEET-VEHICLE |
| 1 | 501299D1 | 4 | FILM-TIGHTENING |
| 2 | 501300D1 | 2 | FILM-TIGHTENING |
| 3 | 501301D1 | 2 | FILM-TIGHTENING |
| 4 | 501267D1 | 1 | FILM-HYD COUPLER |
| 5 | 501261D1 | 1 | FILM-NOTICE |
| 6 | 501287D1 | 1 | FILM-WARNING (VOLTAGE) |
| 7 | 501306D1 | 1 | FILM-AIR CLEANER |
| 8 | 501293D1 | 1 | FILM-WARNING ELE |
| 9 | 501259D1 | 1 | FILM-WARNING |
| 10 | 501292D1 | 1 | FILM-WARNING |
| 11 | 501290D1 | 2 | FILM-CRUSH/SEVER |
| 12 | 501264D1 | 2 | FILM-NOTICE PTO WARNING |
| 13 | 501294D1 | 2 | FILM-NOTICE |
| 14 | 501295D1 | 1 | FILM-HITCH |
| 15 | 501291D1 | 2 | FILM-BATTERY |
| 16 | 501277D1 | 2 | PLATE-INST (BATTERY) |
| 17 | 501253D1 | 1 | FILM-IDENT (12V) |
| 18 | 501303D1 | 1 | FILM-COOLANT |
| 19 | 501262D1 | 4 | FILM-NOTICE ACCUMULATOR WRNG |
| 20 | 501296D1 | 1 | FILM-HITCH |
| 21 | 501254D1 | 2 | FILM-WARNING |
| 22 | 501263D1 | 2 | FILM-NOTICE BYSTANDERS |
| 23 | 501260D1 | 2 | FILM-NOTICE SERVICE MANUAL |
| 24 | 501257D1 | 2 | FILM-NOTICE SERVICE MANUAL |

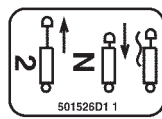
[A] PART OF 186-0979 HITCH AR

501505DB
PR: t05b22n43d0538

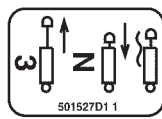
DECAL SHEET-CAB/ARMREST - 501520D1



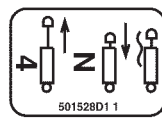
5



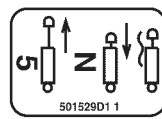
6



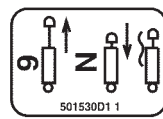
7



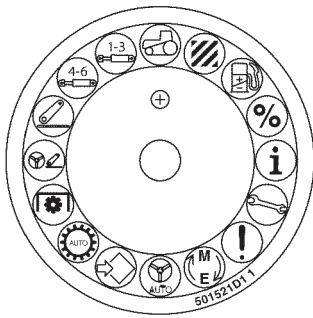
8



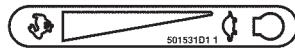
9



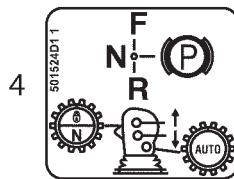
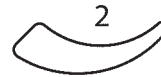
10



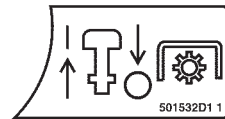
1



11



4



12



3

501520DA

MT800B SERIES TRACTORS
DECALS & MARKINGS

1207

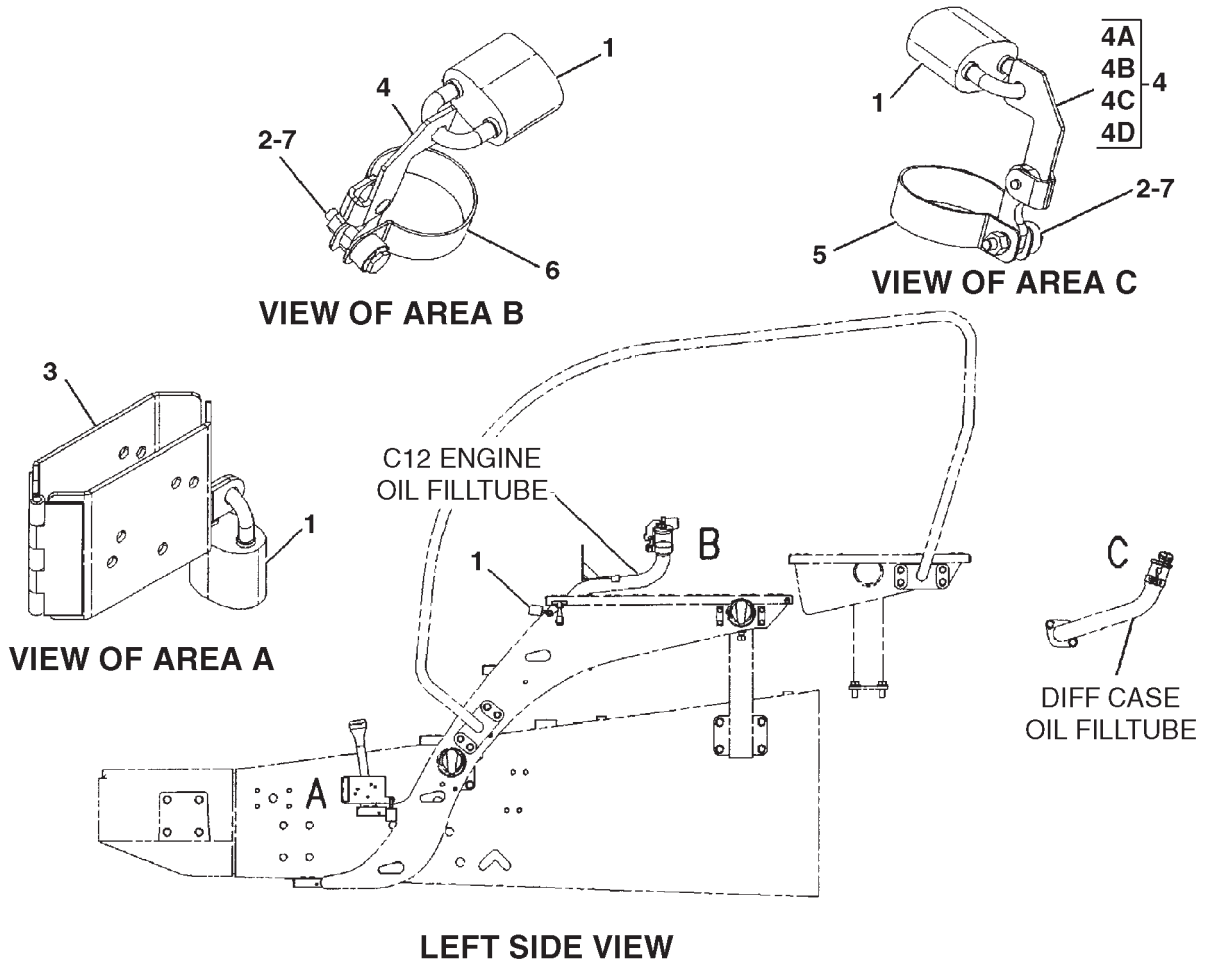
DECAL SHEET-CAB/ARMREST - 501520D1

| ITEM | NUMBER | QTY | DESCRIPTION |
|------|----------|-----|--------------------------------|
| - | 501520D1 | - | DECAL SHEET [A] (NOT SERVICED) |
| 1 | 501521D1 | 1 | FILM-MIDS SELECTOR (IDENT) |
| 2 | 501522D1 | 1 | FILM-MIDS (IDENT) |
| 3 | 501523D1 | 1 | FILM-3 PT HITCH (INST) |
| 4 | 501524D1 | 1 | FILM-TRANSMISSION (SHIFT) |
| 5 | 501525D1 | 1 | FILM-EH LEVER (INST) |
| 6 | 501526D1 | 1 | FILM-EH LEVER (INST) |
| 7 | 501527D1 | 1 | FILM-EH LEVER (INST) |
| 8 | 501528D1 | 1 | FILM-EH LEVER (INST) |
| 9 | 501529D1 | 1 | FILM-EH LEVER (INST) |
| 10 | 501530D1 | 1 | FILM-EH LEVER (INST) |
| 11 | 501531D1 | 1 | FILM-THROTTLE (INST) |
| 12 | 501532D1 | 1 | FILM-PTO (INST) |

[A] PART OF 152-0434 CONSOLE GP

501520DA
PR: t05k07n15a0033

PROTECTION GP-VANDALISM
185-8848



**MT800B SERIES TRACTORS
SERVICE EQUIPMENT AND SUPPLIES**

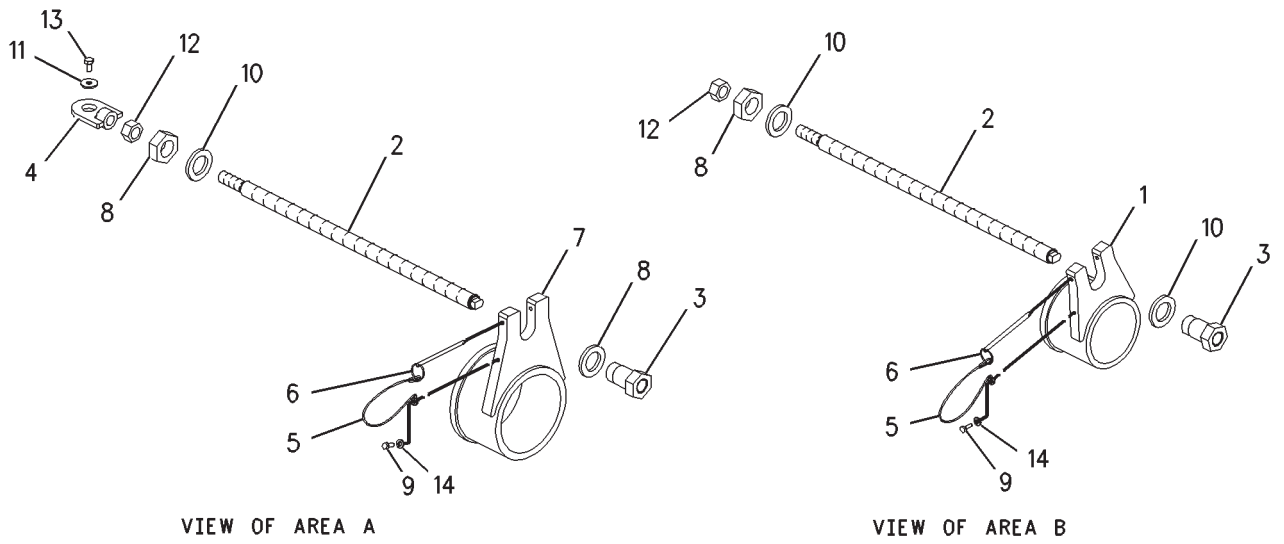
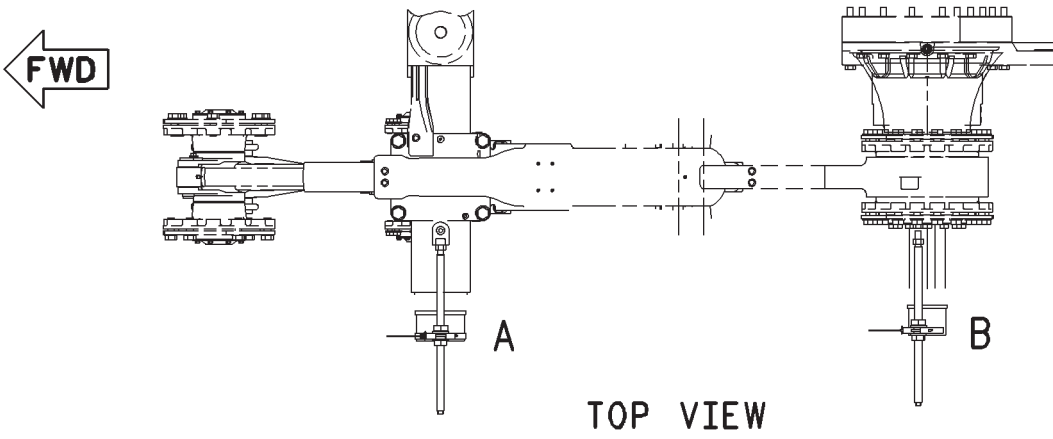
1209

**PROTECTION GP-VANDALISM
185-8848**

| ITEM | NUMBER | QTY | DESCRIPTION |
|------|------------|-----|---|
| - | 185-8848 | - | PROTECTION GP-VANDALISM (NOT SERVICED) |
| 1 | CH5P-8502 | 4 | PADLOCK (W/KEY) |
| | CH5P-8500 | 1 | KEY |
| 2 | 400135X1 | 2 | BOLT-TAMPERPROOF (1/4-20X1 IN) |
| 3 | 188-1155 | 1 | COVER ASM (INCLUDES 2 PLATES AND HINGE) |
| 4 | 191-8006 | 2 | LOCK ASM (INCLS 4A-4D) |
| 4A | CH2P-2717 | 1 | HASP |
| 4B | CH8D-9558 | 1 | RIVET |
| 4C | 191-8007 | 1 | LUG |
| 4D | CH2A-3211 | 1 | WASHER |
| 5 | CH191-8010 | 1 | CLAMP |
| 6 | CH196-9321 | 1 | CLAMP |
| 7 | CH3E-9865 | 2 | LOCKNUT (1/4-20) |
| - | CH123-4950 | 3 | SCREW-PAN HD (M16X1) (NOT SHOWN) |

0891372A
PR: t05b22n43d0539

TOOL GP-AXLE GAUGE CHANGE
203-9712



**MT800B SERIES TRACTORS
SERVICE EQUIPMENT AND SUPPLIES**

1211

**TOOL GP-AXLE GAUGE CHANGE
203-9712**

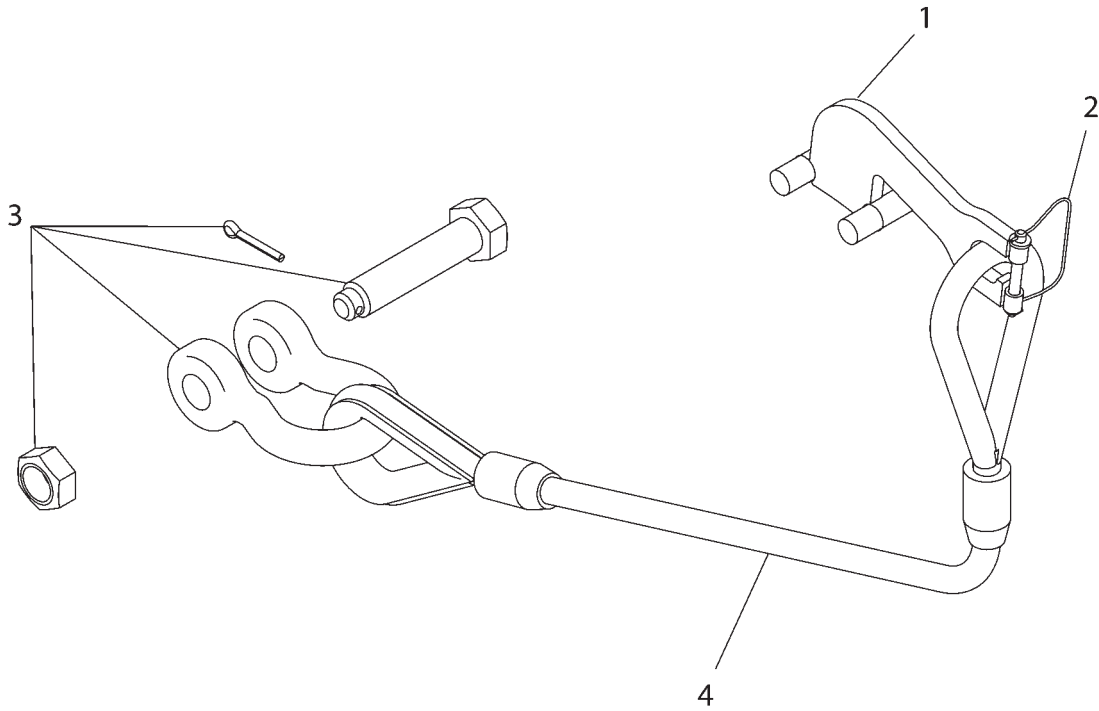
| ITEM | NUMBER | QTY | DESCRIPTION |
|------|-----------|-----|----------------------------|
| - | 203-9712 | - | TOOL GP-AXLE GAUGE CHANGE |
| 1 | 198-4474 | 1 | BRACKET ASM |
| 2 | 198-4475 | 2 | ROD |
| 3 | 400354X1 | 2 | NUT-SPECIAL (1-1/4"-12) |
| 4 | 198-4477 | 1 | ADAPTER ASM |
| 5 | 203-6604 | 2 | LANYARD |
| 6 | 203-7787 | 2 | PIN |
| 7 | 205-8790 | 1 | BRACKET |
| 8 | 400083X1 | 2 | NUT-JAM (1-1/4"-12-2B LH) |
| 9 | 400152X1 | 2 | BOLT (M6X1X16MM) |
| 10 | 7X-0533 | 4 | WASHER-HARD (34X55X6) |
| 11 | 8C-9987 | 1 | WASHER (8.3X28X2.5) |
| 12 | 400286X1 | 2 | NUT (M20X2.5) |
| 13 | 400227X1 | 1 | BOLT (M8X1.25X16MM) |
| 14 | CH8T-4205 | 2 | WASHER-HARD (7.2X14.5X2MM) |

00816200
PR: t05b22n43d0540

1212

MT800B SERIES TRACTORS
SERVICE EQUIPMENT AND SUPPLIES

CABLE GP.-TOW - 500039D1
SPECIAL APPLICATIONS



500039DA

**MT800B SERIES TRACTORS
SERVICE EQUIPMENT AND SUPPLIES**

1213

**CABLE GP.-TOW - 500039D1
SPECIAL APPLICATIONS**

| ITEM | NUMBER | QTY | DESCRIPTION |
|------|----------|-----|----------------------------------|
| - | 500039D1 | - | CABLE GP.-TOW [A] (NOT SERVICED) |
| 1 | 500120D1 | 1 | BRACKET |
| 2 | 500124D1 | 1 | PIN-HITCH |
| 3 | 500125D1 | 1 | SHACKLE |
| 4 | 500126D1 | 1 | CABLE AS. |

[A] PART OF 501605D1; 501606D1;
501607D1; 501608D1; 501609D1
BASE UNIT AR

500039DA
PR: t05b22n43d0541

1214

**MT800B SERIES TRACTORS
PAINT**

**PAINT
(ORDER FROM CAT)**

NO ILLUSTRATION

PAINTGP1

**MT800B SERIES TRACTORS
PAINT**

1215

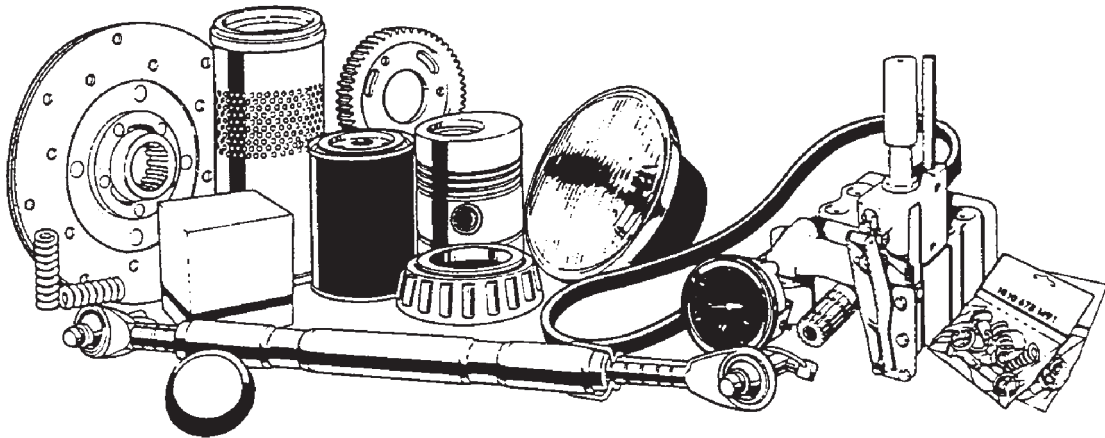
**PAINT
(ORDER FROM CAT)**

| ITEM | NUMBER | QTY | DESCRIPTION |
|------|----------|-----|---|
| | 4C-4200 | | YELLOW, AEROSOL |
| | 4C-6129 | | YELLOW, 1 GALLON |
| | 4C-6122 | | YELLOW, 5 GALLON |
| | 4C-6127 | | YELLOW, 55 GALLON |
| | 4C-4184 | | YELLOW, FAST DRY 1 GALLON |
| | 4C-4192 | | YELLOW, FAST DRY 5 GALLON |
| | 4C-4207 | | YELLOW, FAST DRY 55 GALLON |
| | 9U-7725 | | YELLOW, WATER REDUCIBLE 1 GALLON |
| | 4C-4198 | | BLACK, MED GLOSS AEROSOL |
| | 4C-4183 | | BLACK, MED GLOSS 1 GALLON |
| | 4C-4191 | | BLACK, MED GLOSS 5 GALLON |
| | 4C-4206 | | BLACK, MED GLOSS 55 GALLON |
| | 4C-4199 | | BLACK, MUFFLER AEROSOL |
| | 4C-6134 | | URETHANE, YELLOW TOUCH-UP 1 GALLON |
| | 4C-6126 | | URETHANE, YELLOW TOUCH-UP 5 GALLON |
| | 4C-6133 | | URETHANE, BLACK TOUCH-UP 1 GALLON |
| | 4C-5843 | | BLACK, GLOSS AEROSOL |
| | 173-4060 | | GRAY, MACHINE DARK AEROSOL |
| | 171-9773 | | GRAY, MACHINE DARK 1 GALLON |
| | 171-9774 | | GRAY, MACHINE DARK 5 GALLON |
| | 9U-7948 | | GRAY, DAWN GLOSS AEROSOL (ORDER THRU CAT DEALER) |
| | 4C-4205 | | PRIMER, YELLOW AEROSOL |
| | 4C-4190 | | PRIMER, YELLOW 1 GALLON |
| | 4C-4197 | | PRIMER, YELLOW 5 GALLON |
| | 4C-4211 | | PRIMER, YELLOW 55 GALLON |

PAINTGP1
PR: t05b22n43d0542

RECOMMENDED DEALER STOCK

RECOMMENDED DEALER'S STOCK



**MT800B SERIES TRACTORS
MAINTENANCE PARTS**

1217

RECOMMENDED DEALER STOCK

| ITEM | NUMBER | QTY | DESCRIPTION |
|------|------------|-----|----------------|
| | CH208-2404 | 48 | SEAL |
| | 186-2869 | 1 | SHIM |
| | 171-7234 | 1 | COUNTERWEIGHT |
| | 184-1695 | 1 | SEAL |
| | 187-8947 | 1 | DISC |
| | 197-6291 | 1 | BELT |
| | 1R-1325 | 1 | BELT |
| | 171-9688 | 1 | LAMP |
| | 154-8264 | 1 | RETAINER |
| | 502446D1 | 1 | BATTERY/MAIN F |
| | 261-2719 | 228 | BEARING |
| | 185-2151 | 1 | BELT |
| | 1R-1265 | 1 | BELT |
| | 1R-1266 | 1 | BELT |
| | 1R-1267 | 1 | BELT |
| | 1R-1323 | 1 | BELT |
| | 1R-1388 | 1 | BELT |
| | 500685D1 | 1 | BELT |
| | 501186D1 | 1 | BELT/30" SPECI |
| | 501196D1 | 1 | BELT/36" SPECI |
| | 501688D1 | 1 | BLADE/ASY WIPE |
| | CH189-8610 | 1 | BLADE/ASY WIPE |
| | CH134-1935 | 1 | BLADE/WIPER |
| | 400831X1 | 1 | BREATHER/14-18 |
| | CH9X-8118 | 1 | BULB/12 V 55 W |
| | 400862X1 | 1 | BULB/885-12.8V |
| | 500678D1 | 1 | BULB/HALOGEN/8 |
| | CH175-1323 | 1 | BULB/HEADLAMP |
| | CH8I-4256 | 1 | BULB/HEADLIGHT |
| | 502183D1 | 1 | CABLE/AS. - NE |
| | 500447D1 | 1 | CABLE/ASY |
| | 502188D1 | 1 | CABLE/ASY |
| | 501109D1 | 1 | CABLE/ASY NEG |
| | 501110D1 | 1 | CABLE/ASY NEG |
| | 501111D1 | 1 | CABLE/ASY NEG |
| | 501112D1 | 1 | CABLE/ASY NEG |
| | 500892D1 | 1 | CAP/RADIATOR W |
| | CH3S-5096 | 5 | CLAMP/HOSE |
| | 500956D1 | 2 | CONNECTOR/ASY |
| | 501766D2 | 4 | FILTER,HYD/SPI |
| | CH1R-0771 | 1 | FILTER/AS.- (F |
| | 501771D1 | 1 | FILTER/ELEMENT |
| | CH113-8490 | 2 | FUSE/MINI 10 A |
| | CH113-8491 | 2 | FUSE/MINI 15 A |
| | CH113-8492 | 2 | FUSE/MINI 20 A |
| | CH124-3548 | 2 | FUSE/MINI 30 A |
| | CH141-2759 | 2 | FUSE/MINI 5 AM |
| | CH5P-8500 | 2 | KEY |
| | 216-6980 | 1 | ORIFICE |
| | 400932X1 | 1 | ORIFICE/ASY |
| | 501884D1 | 1 | REGULATOR |
| | 501147D1 | 6 | STRIP |
| | CH3B-8485 | 5 | ZERK-GREASE 45 |

NOTE: THIS LIST REPRESENTS THOSE ITEMS
RECOMMENDED TO SERVICE FIVE UNITS.

RDL
PR: t05b22n43d0543